

SPICER®



J300P-10

November 2015

Supersedes Section 10

Dated August 2008

Driveline Components Catalog Flange & End Yoke Applications



Product pictured is intended to be a representation of product category.

Table Of Contents

| | |
|---|-----|
| Auxiliary Transmissions | |
| Fuller..... | 6 |
| Spicer®..... | 15 |
| Single Axles | |
| Axle Alliance Corporation..... | 19 |
| Clark..... | 19 |
| Fabco..... | 20 |
| Navistar / International..... | 22 |
| Mack..... | 24 |
| Oshkosh..... | 24 |
| Meritor / Rockwell..... | 24 |
| Spicer®..... | 34 |
| Chelsea Split Shaft PTOs..... | 63 |
| Tandem Axles | |
| Axle Alliance Corporation..... | 65 |
| Clark..... | 65 |
| Navistar / International..... | 65 |
| Mack..... | 68 |
| Oshkosh..... | 78 |
| Meritor / Rockwell..... | 78 |
| Spicer®..... | 94 |
| Main Transmissions | |
| Allison..... | 126 |
| Caterpillar..... | 130 |
| Clark..... | 130 |
| Fuller..... | 131 |
| Mack..... | 162 |
| New Process..... | 164 |
| Meritor / Rockwell..... | 165 |
| Spicer®..... | 168 |
| Warner..... | 182 |
| Transfer Cases | |
| Fabco..... | 183 |
| Mack..... | 184 |
| New Process..... | 184 |
| Oshkosh..... | 185 |
| Meritor / Rockwell..... | 185 |
| Spicer®..... | 185 |
| Companion Flange Part Data Listing..... | 187 |
| End Yoke Part Data Listing..... | 188 |


NOTE: the data listed herein is correct to the best of our knowledge and belief; having been compiled from reliable and official sources of information. However, WE CANNOT ASSUME ANY RESPONSIBILITY FOR POSSIBLE ERROR



Important: See Safety Information in General Information Section (J300P-GI)

How To Use This Catalog

You must know several things about the application in order to find the correct end fitting part number:



| Pos | Series | Spline Data | Hub Dia | * to End of Hub | End Fitting Part Number |
|-------------------------|--------|-------------|---------|-----------------|---|
| CM55 (Continued) | | | | | |
| 1 | 1610 | 1.998-38 | 2.750 | 7.562 | EY 5-4-7601-1 <i>Flanged end yoke.</i> |
| 1 | 1710 | 1.998-38 | 2.750 | 5.250 | EY 6-4-7301 |
| 1 | 1710 | 1.998-38 | 2.750 | 5.250 | EY 6-4-7301-1 |
| CM59 | | | | | |
| 1 | 1610 | 1.998-38 | 2.750 | 4.688 | CF 5-1-6271 <i>Can be used w/brake; Assembly includes eight 6-73-725 bolts</i> |
| 1 | SPL140 | 1.998-38 | 2.750 | 4.830 | EY 140-4-111-1 |
| 1 | SPL140 | 1.998-38 | 2.750 | 4.730 | EY 140-4-891-1 |
| 1 | SPL170 | 1.998-38 | 2.750 | 4.844 | EY 170-4-541-1 |
| 1 | SPL90 | 1.998-38 | 2.750 | 7.562 | EY 90-4-111-1 <i>Can be used w/brake; Flanged end yoke.</i> |

| Pos | Series | Spline Data | Hub Dia | * to End of Hub | End Fitting Part Number |
|----------------------------|--------|-------------|---------|-----------------|---|
| ESO65-7 (Continued) | | | | | |
| 1 | 1610 | 1.998-38 | 2.750 | 7.562 | EY 5-4-7601-1 <i>Flanged end yoke.</i> |
| 1 | 1710 | 1.998-38 | 2.750 | 5.250 | EY 6-4-7301 |
| 1 | 1710 | 1.998-38 | 2.750 | 5.250 | EY 6-4-7301-1 |
| ESO66-7 | | | | | |
| 1 | 1550 | 1.998-38 | 2.750 | 4.047 | EY 4-4-4491-1 |
| 1 | 1550 | 1.998-38 | 2.750 | 4.156 | EY 4-4-4611 |
| 1 | 1550 | 1.998-38 | 2.750 | 4.156 | EY 4-4-4611-1 |
| 1 | 1550 | 1.998-38 | 2.750 | 4.156 | EY 4-4-4611-2 <i>Attaching hardware by OEM</i> |
| 1 | 1610 | 1.998-38 | 2.750 | 4.125 | EY 5-4-6321 |
| 1 | 1610 | 1.998-38 | 2.750 | 4.000 | EY 5-4-6321-1 |

1. The type of unit it is used on:

- Main or Auxiliary Transmission
- Single or Tandem Axle
- Split Shaft P.T.O.
- Transfer Case

2. The manufacturer and model:

- Example: Spicer ES60-5, Fuller RT-11608, Rockwell F-3200, etc.

3. Where the part is used on the original unit:

- Transmission output (position 1)
- Single Axle input (position 1) or output (positions 2, 3 or 4)
- Tandem Axle input to 1st axle (position 1), output of 1st Axle (position 2) or input to 2nd Axle (position 3)
- Split Shaft or Auxiliary Transmission (position 1) or output (position 2)

4. The type of part and series:

- Companion Flange - CF (typically "-1" center digit)
- End Yoke - EY (typically "-4" center digit)

5. Dimensions of the part:

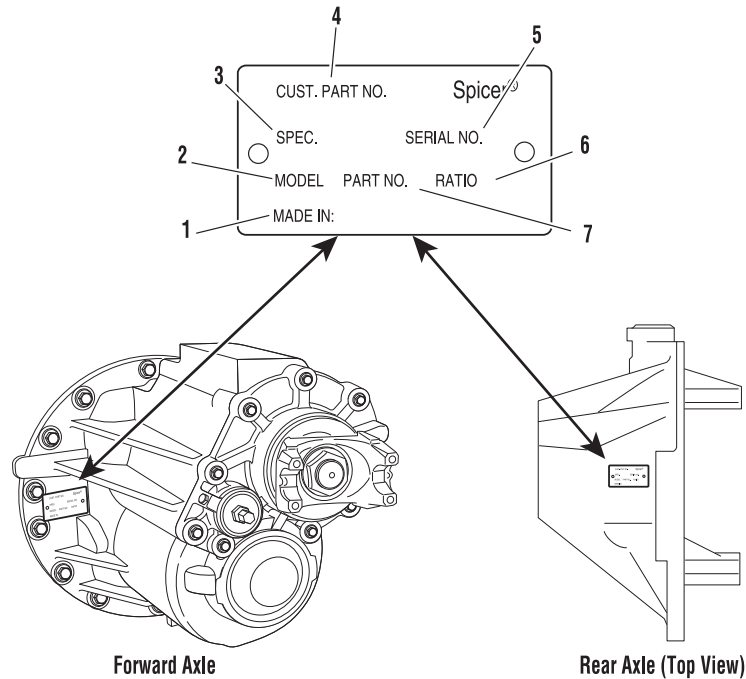
- Spline O.D.
- Number of teeth
- Length thru hole
- Seal diameter

Once you have selected the part number based on the above criteria, make sure the dimensions of your part match the dimensions shown in the catalog for the part number you selected. If they do not match, contact the transmission or axle manufacturer. Some manufacturers have made spline and/or seal changes within a given model number and the model number shown in this catalog could include parts that have different dimensions. You must choose a part with the correct dimensions or **the part will not fit.**

Locating Model Designation Information

Axle Model Identification, Part Number and Serial Number are located on a tag at the axle centerline. This information will help to locate information in this book and to identify the correct parts for servicing.

For the latest product additions and program details, visit us on the web at www.spicerparts.com.



- 1 - Country or origin
- 2 - Axle model identification
- 3 - Specification number assigned to the axle built by Spicer. Identifies all component parts of the axle including special OEM requirements such as yokes or flanges.
- 4 - OEM part number assigned to the axle build
- 5 - Carrier assembly serial number assigned by the manufacturing plant
- 6 - Axle gear ratio
- 7 - Carrier assembly production or service part number

Model Information

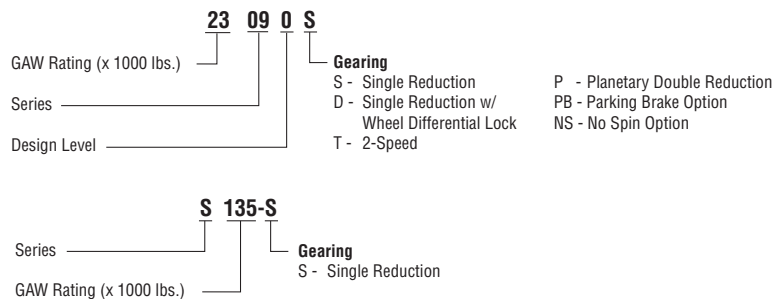
Some Model call-outs on tags vary and for the purpose of this catalog, some model designations are abbreviated as shown in the examples below:

Tandem Axles: Spicer DS404 models are referred to as Model 404

Spicer D46-170 & R46-170 are referred to as Model D170 & R170

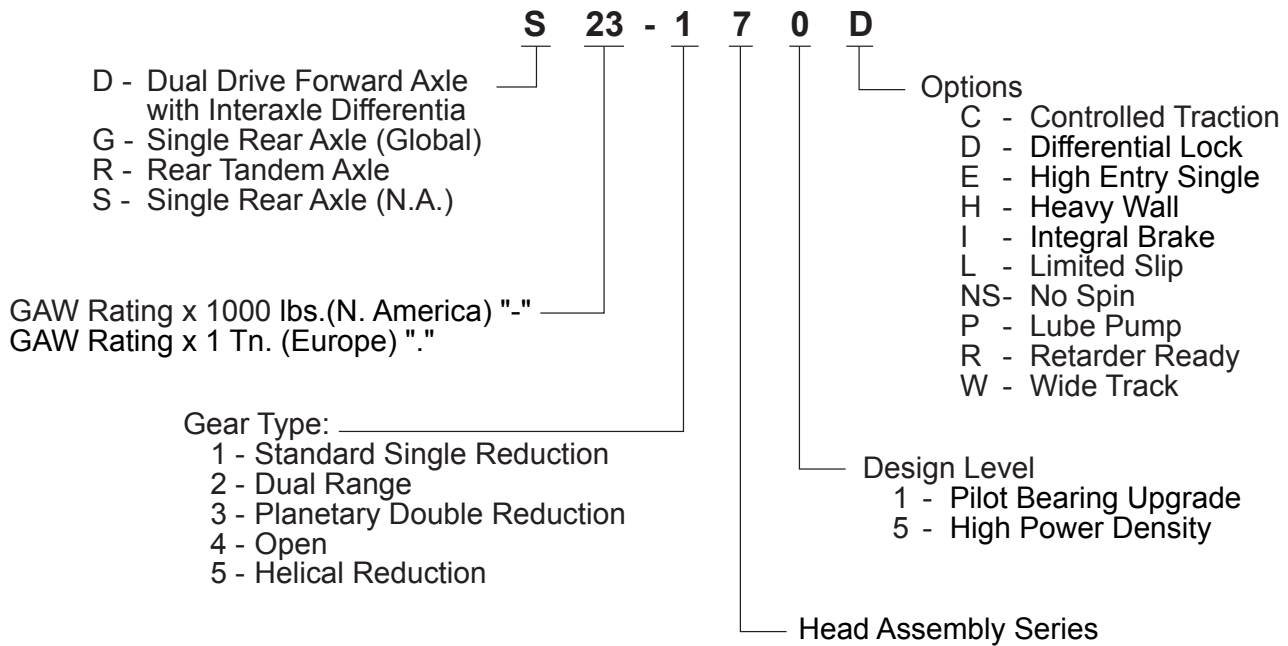
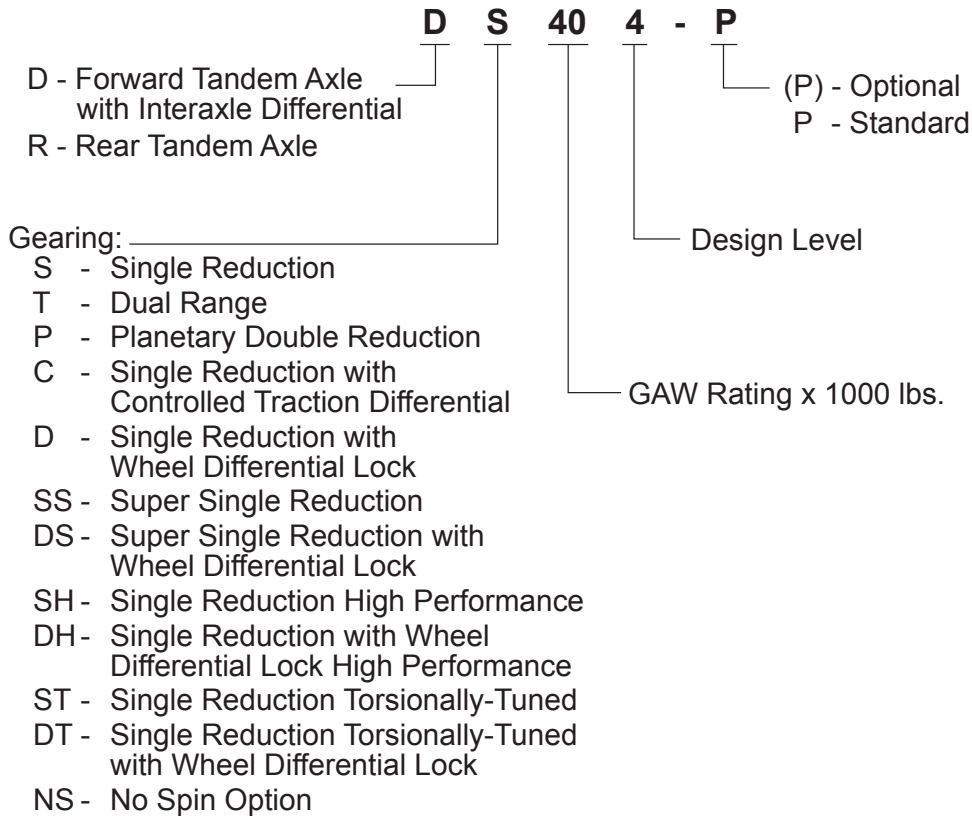
Spicer D40-155 & D40-156 are referred to as Models D155 & D156

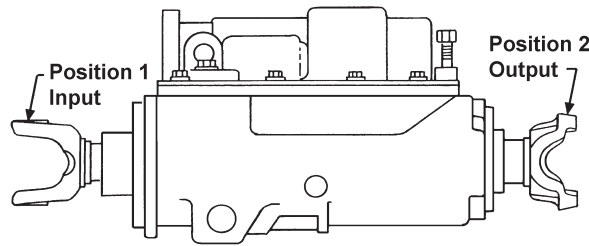
Single Drive Axle - Nomenclature



Spicer Axle Model Identification

Tandem Drive Axle - Nomenclature





| Pos | Series | Spline Data | Hub Dia | * to End of Hub | End Fitting Part Number |
|-----|--------|-------------|---------|-----------------|-------------------------|
|-----|--------|-------------|---------|-----------------|-------------------------|

AT-1202

| | | | | | |
|---|--------|----------|-------|-------|------------------|
| 1 | SPL140 | 2.750-10 | 3.750 | 6.570 | EY 140-4-61-1 |
| 1 | SPL140 | 2.750-10 | 3.750 | 6.570 | EY 140-4-71-1X |
| 1 | SPL170 | 2.750-10 | 3.750 | 5.850 | EY 170-4-491-1 |
| 1 | SPL170 | 2.750-10 | 3.750 | 5.850 | EY 170-4-501-1X |
| 1 | SPL250 | 2.750-10 | 3.750 | 6.300 | EY 250-4-211-1 |
| 1 | SPL250 | 2.750-10 | 3.750 | 6.300 | EY 250-4-221-1X |
| 1 | 1710 | 2.750-10 | 3.500 | 5.750 | EY 6-4-5251X |
| 1 | 1710 | 2.750-10 | 3.750 | 5.750 | EY 6-4-6631 |
| 1 | 1710 | 2.750-10 | 3.750 | 5.750 | EY 6-4-6631-1 |
| 1 | 1710 | 2.750-10 | 3.750 | 5.750 | EY 6-4-6841-1X |
| 1 | 1710 | 2.750-10 | 3.750 | 5.750 | EY 6-4-6841X |
| 1 | 1760 | 2.750-10 | 3.750 | 5.969 | EY 6.3-4-661 |
| 1 | 1760 | 2.750-10 | 3.750 | 5.969 | EY 6.3-4-661-1 |
| 1 | 1760 | 2.750-10 | 3.750 | 5.969 | EY 6.3-4-721-1X |
| 1 | 1760 | 2.750-10 | 3.750 | 5.969 | EY 6.3-4-721X |
| 1 | 1810 | 2.750-10 | 3.500 | 6.062 | EY 6.5-4-1901 |
| 1 | 1810 | 2.750-10 | 3.500 | 6.062 | EY 6.5-4-1901-1 |
| 1 | 1810 | 2.750-10 | 3.500 | 6.062 | EY 6.5-4-2931X |
| 1 | 1810 | 2.750-10 | 3.750 | 6.062 | EY 6.5-4-3461 |
| 1 | 1810 | 2.750-10 | 3.750 | 6.062 | EY 6.5-4-3461-1 |
| 1 | 1810 | 2.750-10 | 3.750 | 6.062 | EY 6.5-4-3501-1X |
| 1 | 1810 | 2.750-10 | 3.750 | 6.062 | EY 6.5-4-3501X |
| 2 | 1810 | 2.750-10 | 3.750 | 4.062 | CF 6.5-1-2311 |
| 2 | 1810 | 2.750-10 | 3.750 | 4.062 | CF 6.5-1-2361X |
| 2 | SPL140 | 2.750-10 | 3.750 | 6.570 | EY 140-4-81-1 |
| 2 | SPL140 | 2.750-10 | 3.750 | 6.570 | EY 140-4-91-1X |
| 2 | SPL170 | 2.750-10 | 3.750 | 5.850 | EY 170-4-511-1 |
| 2 | SPL170 | 2.750-10 | 3.750 | 5.850 | EY 170-4-521-1X |
| 2 | SPL250 | 2.750-10 | 3.750 | 6.297 | EY 250-4-231-1 |
| 2 | SPL250 | 2.750-10 | 3.750 | 6.297 | EY 250-4-241-1X |
| 2 | SPL350 | 2.750-10 | 3.752 | 6.614 | EY 350-4-131-1 |
| 2 | SPL350 | 2.750-10 | 3.752 | 6.614 | EY 350-4-141-1X |
| 2 | 1710 | 2.750-10 | 3.750 | 5.750 | EY 6-4-6821 |
| 2 | 1710 | 2.750-10 | 3.750 | 5.750 | EY 6-4-6821-1 |
| 2 | 1710 | 2.750-10 | 3.750 | 5.750 | EY 6-4-6931-1X |
| 2 | 1710 | 2.750-10 | 3.750 | 5.750 | EY 6-4-6931X |
| 2 | 1760 | 2.750-10 | 3.750 | 5.969 | EY 6.3-4-711 |
| 2 | 1760 | 2.750-10 | 3.750 | 5.969 | EY 6.3-4-711-1 |
| 2 | 1760 | 2.750-10 | 3.750 | 5.969 | EY 6.3-4-791-1X |
| 2 | 1760 | 2.750-10 | 3.750 | 5.969 | EY 6.3-4-791X |
| 2 | 1810 | 2.750-10 | 3.750 | 6.062 | EY 6.5-4-3491 |
| 2 | 1810 | 2.750-10 | 3.750 | 6.062 | EY 6.5-4-3491-1 |
| 2 | 1810 | 2.750-10 | 3.750 | 6.062 | EY 6.5-4-3561-1X |
| 2 | 1810 | 2.750-10 | 3.750 | 6.062 | EY 6.5-4-3561X |

MRT-915, MRT-9509, MRT-9513

| | | | | | |
|---|------|----------|-------|-------|----------------|
| 2 | 1710 | 2.500-10 | 3.750 | 3.625 | CF 6-1-5541 |
| 2 | 1710 | 2.500-10 | 3.750 | 3.625 | CF 6-1-5651X |
| 2 | 1810 | 2.500-10 | 3.750 | 3.625 | CF 6.5-1-2271 |
| 2 | 1810 | 2.500-10 | 3.750 | 3.625 | CF 6.5-1-2351X |

| Pos | Series | Spline Data | Hub Dia | * to End of Hub | End Fitting Part Number |
|-----|--------|-------------|---------|-----------------|-------------------------|
|-----|--------|-------------|---------|-----------------|-------------------------|

MRT-915, MRT-9509, MRT-9513 (Continued)

| | | | | | |
|---|--------|----------|-------|-------|-------------------|
| 2 | SPL170 | 2.500-10 | 3.750 | 5.750 | EY 170-4-471-1■ |
| 2 | SPL170 | 2.500-10 | 3.750 | 5.750 | EY 170-4-481-1X■ |
| 2 | SPL250 | 2.500-10 | 3.750 | 6.062 | EY 250-4-191-1■ |
| 2 | SPL250 | 2.500-10 | 3.750 | 6.062 | EY 250-4-201-1X■ |
| 2 | 1710 | 2.500-10 | 3.750 | 5.625 | EY 6-4-6611■ |
| 2 | 1710 | 2.500-10 | 3.750 | 5.625 | EY 6-4-6611-1■ |
| 2 | 1760 | 2.500-10 | 3.750 | 6.000 | EY 6.3-4-651■ |
| 2 | 1760 | 2.500-10 | 3.750 | 6.031 | EY 6.3-4-651-1■ |
| 2 | 1810 | 2.500-10 | 3.750 | 5.875 | EY 6.5-4-3551-1X■ |
| 2 | 1810 | 2.500-10 | 3.750 | 5.875 | EY 6.5-4-3551X■ |

MRT-11609, MRT-11610, MRT-11613

| | | | | | |
|---|--------|----------|-------|-------|-------------------|
| 2 | 1710 | 2.500-10 | 3.750 | 3.625 | CF 6-1-5541 |
| 2 | 1710 | 2.500-10 | 3.750 | 3.625 | CF 6-1-5651X |
| 2 | 1810 | 2.500-10 | 3.750 | 3.625 | CF 6.5-1-2271 |
| 2 | 1810 | 2.500-10 | 3.750 | 3.625 | CF 6.5-1-2351X |
| 2 | SPL170 | 2.500-10 | 3.750 | 5.750 | EY 170-4-471-1■ |
| 2 | SPL170 | 2.500-10 | 3.750 | 5.750 | EY 170-4-481-1X■ |
| 2 | SPL250 | 2.500-10 | 3.750 | 6.062 | EY 250-4-191-1■ |
| 2 | SPL250 | 2.500-10 | 3.750 | 6.062 | EY 250-4-201-1X■ |
| 2 | 1710 | 2.500-10 | 3.750 | 5.625 | EY 6-4-6611■ |
| 2 | 1710 | 2.500-10 | 3.750 | 5.625 | EY 6-4-6611-1■ |
| 2 | 1710 | 2.500-10 | 3.750 | 5.625 | EY 6-4-6921-1X■ |
| 2 | 1710 | 2.500-10 | 3.750 | 5.625 | EY 6-4-6921X■ |
| 2 | 1760 | 2.500-10 | 3.750 | 6.000 | EY 6.3-4-651■ |
| 2 | 1760 | 2.500-10 | 3.750 | 6.031 | EY 6.3-4-651-1■ |
| 2 | 1760 | 2.500-10 | 3.750 | 6.031 | EY 6.3-4-781-1X■ |
| 2 | 1760 | 2.500-10 | 3.750 | 6.000 | EY 6.3-4-781X■ |
| 2 | 1810 | 2.500-10 | 3.750 | 5.875 | EY 6.5-4-3451■ |
| 2 | 1810 | 2.500-10 | 3.750 | 5.875 | EY 6.5-4-3451-1■ |
| 2 | 1810 | 2.500-10 | 3.750 | 5.875 | EY 6.5-4-3551-1X■ |
| 2 | 1810 | 2.500-10 | 3.750 | 5.875 | EY 6.5-4-3551X■ |

MRT-11615

| | | | | | |
|---|------|----------|-------|-------|-------------------|
| 2 | 1710 | 2.500-10 | 3.750 | 3.625 | CF 6-1-5541 |
| 2 | 1810 | 2.500-10 | 3.750 | 3.625 | CF 6.5-1-2271 |
| 2 | 1710 | 2.500-10 | 3.750 | 5.625 | EY 6-4-6611■ |
| 2 | 1710 | 2.500-10 | 3.750 | 5.625 | EY 6-4-6611-1■ |
| 2 | 1710 | 2.500-10 | 3.750 | 5.625 | EY 6-4-6921-1X■ |
| 2 | 1710 | 2.500-10 | 3.750 | 5.625 | EY 6-4-6921X■ |
| 2 | 1760 | 2.500-10 | 3.750 | 6.000 | EY 6.3-4-651■ |
| 2 | 1760 | 2.500-10 | 3.750 | 6.031 | EY 6.3-4-651-1■ |
| 2 | 1760 | 2.500-10 | 3.750 | 6.031 | EY 6.3-4-781-1X■ |
| 2 | 1760 | 2.500-10 | 3.750 | 6.000 | EY 6.3-4-781X■ |
| 2 | 1810 | 2.500-10 | 3.750 | 5.875 | EY 6.5-4-3451■ |
| 2 | 1810 | 2.500-10 | 3.750 | 5.875 | EY 6.5-4-3451-1■ |
| 2 | 1810 | 2.500-10 | 3.750 | 5.875 | EY 6.5-4-3551-1X■ |
| 2 | 1810 | 2.500-10 | 3.750 | 5.875 | EY 6.5-4-3551X■ |

*C/L to End of Hub for EY (End Yoke); Flange Face to End of Hub for CF (Companion Flange)

■ Hub machined for speedometer gear



| Pos | Series | Spline Data | Hub Dia | * to End of Hub | End Fitting Part Number |
|---------------|--------|-------------|---------|-----------------|-------------------------|
| MT-905 | | | | | |
| 2 | 1610 | 2.250-10 | 3.500 | 3.625 | CF 5-1-6331 |
| 2 | 1710 | 2.500-10 | 3.750 | 3.625 | CF 6-1-5541 |
| 2 | 1810 | 2.250-10 | 3.500 | 3.688 | CF 6.5-1-151 |
| 2 | 1810 | 2.500-10 | 3.750 | 3.625 | CF 6.5-1-2271 |
| 2 | SPL170 | 2.250-10 | 3.500 | 5.750 | EY 170-4-451-1 |
| 2 | SPL170 | 2.250-10 | 3.500 | 5.750 | EY 170-4-461-1X |
| 2 | SPL90 | 2.250-10 | 3.500 | 5.219 | EY 90-4-151-1X |
| 2 | SPL90 | 2.250-10 | 3.500 | 5.219 | EY 90-4-401-1 |
| 2 | 1550 | 2.250-10 | 3.500 | 5.125 | EY 4-4-3501-1 |
| 2 | 1610 | 2.250-10 | 3.500 | 5.750 | EY 5-4-4961 |
| 2 | 1610 | 2.250-10 | 3.500 | 5.750 | EY 5-4-4961-1 |
| 2 | 1710 | 2.500-10 | 3.750 | 5.625 | EY 6-4-6611■ |
| 2 | 1710 | 2.500-10 | 3.750 | 5.625 | EY 6-4-6611-1■ |
| 2 | 1710 | 2.250-10 | 3.500 | 5.250 | EY 6-4-6861 |
| 2 | 1710 | 2.250-10 | 3.500 | 5.250 | EY 6-4-6861-1 |
| 2 | 1710 | 2.250-10 | 3.500 | 5.250 | EY 6-4-6901-1X |
| 2 | 1760 | 2.500-10 | 3.750 | 6.000 | EY 6.3-4-651■ |
| 2 | 1760 | 2.500-10 | 3.750 | 6.031 | EY 6.3-4-651-1■ |
| 2 | 1810 | 2.250-10 | 3.500 | 5.844 | EY 6.5-4-2021 |
| 2 | 1810 | 2.500-10 | 3.750 | 5.875 | EY 6.5-4-3551-1X■ |
| 2 | 1810 | 2.500-10 | 3.750 | 5.875 | EY 6.5-4-3551X■ |

| | | | | | |
|-----------------|-----------|----------|-------|-------|-------------------|
| MT-11605 | | | | | |
| 1 | SPL170 | 2.250-10 | 3.500 | 5.750 | CF 170-4-451-1 |
| 1 | SPL170 | 2.250-10 | 3.500 | 5.750 | CF 170-4-461-1X |
| 2 | 1610/1550 | 2.250-10 | 3.500 | 3.625 | CF 5-1-6331 |
| 2 | 1710 | 2.500-10 | 3.750 | 3.625 | CF 6-1-5541 |
| 2 | 1710 | 2.500-10 | 3.750 | 3.625 | CF 6-1-5651X |
| 2 | 1810 | 2.250-10 | 3.500 | 3.688 | CF 6.5-1-151 |
| 2 | 1810 | 2.500-10 | 3.750 | 3.625 | CF 6.5-1-2271 |
| 2 | 1810 | 2.500-10 | 3.750 | 3.625 | CF 6.5-1-2351X |
| 2 | SPL170 | 2.500-10 | 3.750 | 5.750 | EY 170-4-471-1■ |
| 2 | SPL170 | 2.500-10 | 3.750 | 5.750 | EY 170-4-481-1X■ |
| 2 | SPL250 | 2.500-10 | 3.750 | 6.062 | EY 250-4-191-1■ |
| 2 | SPL250 | 2.500-10 | 3.750 | 6.062 | EY 250-4-201-1X■ |
| 2 | SPL90 | 2.250-10 | 3.500 | 5.219 | EY 90-4-151-1X |
| 2 | SPL90 | 2.250-10 | 3.500 | 5.219 | EY 90-4-401-1 |
| 2 | 1550 | 2.250-10 | 3.500 | 5.125 | EY 4-4-3501-1 |
| 2 | 1610 | 2.250-10 | 3.500 | 5.750 | EY 5-4-4961 |
| 2 | 1610 | 2.250-10 | 3.500 | 5.750 | EY 5-4-4961-1 |
| 2 | 1610 | 2.250-10 | 3.750 | 5.750 | EY 5-4-7381-1 |
| 2 | 1710 | 2.500-10 | 3.750 | 5.625 | EY 6-4-6611■ |
| 2 | 1710 | 2.500-10 | 3.750 | 5.625 | EY 6-4-6611-1■ |
| 2 | 1710 | 2.250-10 | 3.500 | 5.250 | EY 6-4-6861 |
| 2 | 1710 | 2.250-10 | 3.500 | 5.250 | EY 6-4-6861-1 |
| 2 | 1710 | 2.250-10 | 3.500 | 5.250 | EY 6-4-6901-1X |
| 2 | 1710 | 2.250-10 | 3.750 | 5.250 | EY 6-4-7371-1 |
| 2 | 1760 | 2.250-10 | 3.750 | 5.625 | EY 6.3-4-1091-1 |
| 2 | 1760 | 2.500-10 | 3.750 | 6.000 | EY 6.3-4-651■ |
| 2 | 1760 | 2.500-10 | 3.750 | 6.031 | EY 6.3-4-651-1■ |
| 2 | 1760 | 2.250-10 | 3.500 | 5.656 | EY 6.3-4-701-1 |
| 2 | 1760 | 2.250-10 | 3.500 | 5.656 | EY 6.3-4-761-1X |
| 2 | 1760 | 2.500-10 | 3.750 | 6.031 | EY 6.3-4-781-1X■ |
| 2 | 1760 | 2.500-10 | 3.750 | 6.000 | EY 6.3-4-781X■ |
| 2 | 1810 | 2.250-10 | 3.500 | 5.844 | EY 6.5-4-2021 |
| 2 | 1810 | 2.500-10 | 3.750 | 5.875 | EY 6.5-4-3451■ |
| 2 | 1810 | 2.500-10 | 3.750 | 5.875 | EY 6.5-4-3451-1■ |
| 2 | 1810 | 2.500-10 | 3.750 | 5.875 | EY 6.5-4-3551-1X■ |
| 2 | 1810 | 2.500-10 | 3.750 | 5.875 | EY 6.5-4-3551X■ |

| Pos | Series | Spline Data | Hub Dia | * to End of Hub | End Fitting Part Number |
|--------------|--------|-------------|---------|-----------------|-------------------------|
| T-904 | | | | | |
| 1 | 1610 | 2.250-10 | 3.500 | 3.625 | CF 5-1-6331 |
| 1 | 1710 | 2.250-10 | 3.500 | 3.688 | CF 6-1-951 |
| 1 | 1810 | 2.250-10 | 3.500 | 3.688 | CF 6.5-1-151 |
| 1 | 1550 | 2.250-10 | 3.500 | 5.125 | EY 4-4-3501-1 |
| 1 | 1610 | 2.250-10 | 3.500 | 5.750 | EY 5-4-4961 |
| 1 | 1610 | 2.250-10 | 3.500 | 5.750 | EY 5-4-4961-1 |
| 1 | 1710 | 2.250-10 | 3.500 | 5.250 | EY 6-4-2141 |
| 1 | 1710 | 2.250-10 | 3.500 | 5.250 | EY 6-4-6861 |
| 1 | 1710 | 2.250-10 | 3.500 | 5.250 | EY 6-4-6861-1 |
| 1 | 1710 | 2.250-10 | 3.500 | 5.250 | EY 6-4-6901-1X |
| 1 | 1710 | 2.250-10 | 3.500 | 5.250 | EY 6-4-6901X |
| 1 | 1760 | 2.250-10 | 3.500 | 5.656 | EY 6.3-4-701-1 |
| 1 | 1810 | 2.250-10 | 3.500 | 5.844 | EY 6.5-4-2021 |
| 2 | 1610 | 2.250-10 | 3.500 | 3.625 | CF 5-1-6331 |
| 2 | 1710 | 2.250-10 | 3.500 | 3.688 | CF 6-1-951 |
| 2 | 1810 | 2.250-10 | 3.500 | 3.688 | CF 6.5-1-151 |
| 2 | 1610 | 2.250-10 | 3.500 | 5.750 | EY 5-4-4961 |
| 2 | 1610 | 2.250-10 | 3.500 | 5.750 | EY 5-4-4961-1 |
| 2 | 1710 | 2.250-10 | 3.500 | 5.250 | EY 6-4-2141 |
| 2 | 1710 | 2.250-10 | 3.500 | 5.250 | EY 6-4-6861 |
| 2 | 1710 | 2.250-10 | 3.500 | 5.250 | EY 6-4-6861-1 |
| 2 | 1710 | 2.250-10 | 3.500 | 5.250 | EY 6-4-6901-1X |
| 2 | 1710 | 2.250-10 | 3.500 | 5.250 | EY 6-4-6901X |
| 2 | 1760 | 2.250-10 | 3.500 | 5.656 | EY 6.3-4-701-1 |
| 2 | 1810 | 2.250-10 | 3.500 | 5.844 | EY 6.5-4-2021 |

| | | | | | |
|-----------------|------|----------|-------|-------|-------------|
| 2 SP. 62 | | | | | |
| 2 | 1610 | 2.000-10 | 3.250 | 3.625 | CF 5-1-931 |
| 2 | 1710 | 2.000-10 | 3.250 | 5.625 | EY 6-4-2001 |

| | | | | | |
|-----------------|--------|----------|-------|-------|-----------------|
| 2 SP. 92 | | | | | |
| 1 | 1610 | 2.250-10 | 3.500 | 3.625 | CF 5-1-6331 |
| 1 | 1810 | 2.250-10 | 3.500 | 3.688 | CF 6.5-1-151 |
| 1 | SPL170 | 2.250-10 | 3.500 | 5.750 | EY 170-4-451-1 |
| 1 | SPL170 | 2.250-10 | 3.500 | 5.750 | EY 170-4-461-1X |
| 1 | SPL90 | 2.250-10 | 3.500 | 5.219 | EY 90-4-151-1X |
| 1 | SPL90 | 2.250-10 | 3.500 | 5.219 | EY 90-4-401-1 |
| 1 | 1550 | 2.250-10 | 3.500 | 5.125 | EY 4-4-3501-1 |
| 1 | 1610 | 2.250-10 | 3.500 | 5.750 | EY 5-4-4961 |
| 1 | 1610 | 2.250-10 | 3.500 | 5.750 | EY 5-4-4961-1 |
| 1 | 1710 | 2.250-10 | 3.500 | 5.250 | EY 6-4-6861 |
| 1 | 1710 | 2.250-10 | 3.500 | 5.250 | EY 6-4-6861-1 |
| 1 | 1710 | 2.250-10 | 3.500 | 5.250 | EY 6-4-6901-1X |
| 1 | 1810 | 2.250-10 | 3.500 | 5.844 | EY 6.5-4-2021 |

| | | | | | |
|-----------------|------|----------|-------|-------|-------------|
| 3 SP. 62 | | | | | |
| 1 | 1610 | 2.000-10 | 3.250 | 3.625 | CF 5-1-931 |
| 1 | 1710 | 2.000-10 | 3.250 | 5.625 | EY 6-4-2001 |

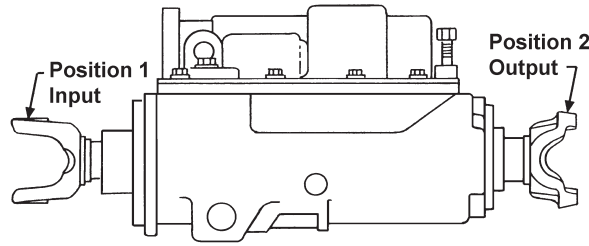
| | | | | | |
|-----------------|--------|----------|-------|-------|-----------------|
| 3 SP. 65 | | | | | |
| 1 | 1610 | 2.250-10 | 3.500 | 3.625 | CF 5-1-6331 |
| 1 | 1610 | 2.000-10 | 3.250 | 3.625 | CF 5-1-931 |
| 1 | 1810 | 2.250-10 | 3.500 | 3.688 | CF 6.5-1-151 |
| 1 | SPL170 | 2.250-10 | 3.500 | 5.750 | EY 170-4-451-1 |
| 1 | SPL170 | 2.250-10 | 3.500 | 5.750 | EY 170-4-461-1X |
| 1 | SPL90 | 2.250-10 | 3.500 | 5.219 | EY 90-4-151-1X |
| 1 | SPL90 | 2.250-10 | 3.500 | 5.219 | EY 90-4-401-1 |
| 1 | 1550 | 2.250-10 | 3.500 | 5.125 | EY 4-4-3501-1 |
| 1 | 1610 | 2.250-10 | 3.500 | 5.750 | EY 5-4-4961 |
| 1 | 1610 | 2.250-10 | 3.500 | 5.750 | EY 5-4-4961-1 |

Continued on next page

*C/L to End of Hub for EY (End Yoke); Flange Face to End of Hub for CF (Companion Flange)

■ Hub machined for speedometer gear





| Pos | Series | Spline Data | Hub Dia | * to End of Hub | End Fitting Part Number |
|-----|--------|-------------|---------|-----------------|-------------------------|
|-----|--------|-------------|---------|-----------------|-------------------------|

3 SP. 65 (Continued)

| | | | | | |
|---|------|----------|-------|-------|----------------|
| 1 | 1710 | 2.000-10 | 3.250 | 5.625 | EY 6-4-2001 |
| 1 | 1710 | 2.250-10 | 3.500 | 5.250 | EY 6-4-6861 |
| 1 | 1710 | 2.250-10 | 3.500 | 5.250 | EY 6-4-6861-1 |
| 1 | 1710 | 2.250-10 | 3.500 | 5.250 | EY 6-4-6901-1X |
| 1 | 1810 | 2.250-10 | 3.500 | 5.844 | EY 6.5-4-2021 |

3 SP. 92

| | | | | | |
|---|--------|----------|-------|-------|-----------------|
| 1 | 1610 | 2.250-10 | 3.500 | 3.625 | CF 5-1-6331 |
| 1 | 1810 | 2.250-10 | 3.500 | 3.688 | CF 6.5-1-151 |
| 1 | SPL170 | 2.250-10 | 3.500 | 5.750 | EY 170-4-451-1 |
| 1 | SPL170 | 2.250-10 | 3.500 | 5.750 | EY 170-4-461-1X |
| 1 | SPL90 | 2.250-10 | 3.500 | 5.219 | EY 90-4-151-1X |
| 1 | SPL90 | 2.250-10 | 3.500 | 5.219 | EY 90-4-401-1 |
| 1 | 1610 | 2.250-10 | 3.500 | 5.750 | EY 5-4-4961 |
| 1 | 1610 | 2.250-10 | 3.500 | 5.750 | EY 5-4-4961-1 |
| 1 | 1710 | 2.250-10 | 3.500 | 5.250 | EY 6-4-6861 |
| 1 | 1710 | 2.250-10 | 3.500 | 5.250 | EY 6-4-6861-1 |
| 1 | 1710 | 2.250-10 | 3.500 | 5.250 | EY 6-4-6901-1X |
| 1 | 1810 | 2.250-10 | 3.500 | 5.844 | EY 6.5-4-2021 |

5 SP. 1120, 5 SP. 1220

| | | | | | |
|---|--------|----------|-------|-------|-----------------|
| 2 | 1610 | 2.250-10 | 3.500 | 3.625 | CF 5-1-6331 |
| 2 | 1810 | 2.250-10 | 3.500 | 3.688 | CF 6.5-1-151 |
| 2 | SPL170 | 2.250-10 | 3.500 | 5.750 | EY 170-4-451-1 |
| 2 | SPL170 | 2.250-10 | 3.500 | 5.750 | EY 170-4-461-1X |
| 2 | SPL90 | 2.250-10 | 3.500 | 5.219 | EY 90-4-151-1X |
| 2 | SPL90 | 2.250-10 | 3.500 | 5.219 | EY 90-4-401-1 |
| 2 | 1550 | 2.250-10 | 3.500 | 5.125 | EY 4-4-3501-1 |
| 2 | 1610 | 2.250-10 | 3.500 | 5.750 | EY 5-4-4961 |
| 2 | 1610 | 2.250-10 | 3.500 | 5.750 | EY 5-4-4961-1 |
| 2 | 1710 | 2.250-10 | 3.500 | 5.250 | EY 6-4-6861 |
| 2 | 1710 | 2.250-10 | 3.500 | 5.250 | EY 6-4-6861-1 |
| 2 | 1710 | 2.250-10 | 3.500 | 5.250 | EY 6-4-6901-1X |
| 2 | 1810 | 2.250-10 | 3.500 | 5.844 | EY 6.5-4-2021 |

5 SP. 65, 5 SP. 74, 5 SP. 75, 5 SP. 650, 5 SP. 740

| | | | | | |
|---|------|----------|-------|-------|-------------|
| 1 | 1610 | 2.000-10 | 3.250 | 3.625 | CF 5-1-931 |
| 1 | 1710 | 2.000-10 | 3.250 | 5.625 | EY 6-4-2001 |

10 SP. 65

| | | | | | |
|---|--------|----------|-------|-------|-----------------|
| 2 | 1610 | 2.250-10 | 3.500 | 3.625 | CF 5-1-6331 |
| 2 | 1810 | 2.250-10 | 3.500 | 3.688 | CF 6.5-1-151 |
| 2 | SPL170 | 2.250-10 | 3.500 | 5.750 | EY 170-4-451-1 |
| 2 | SPL170 | 2.250-10 | 3.500 | 5.750 | EY 170-4-461-1X |
| 2 | SPL90 | 2.250-10 | 3.500 | 5.219 | EY 90-4-151-1X |
| 2 | SPL90 | 2.250-10 | 3.500 | 5.219 | EY 90-4-401-1 |
| 2 | 1550 | 2.250-10 | 3.500 | 5.125 | EY 4-4-3501-1 |
| 2 | 1610 | 2.250-10 | 3.500 | 5.750 | EY 5-4-4961 |
| 2 | 1610 | 2.250-10 | 3.500 | 5.750 | EY 5-4-4961-1 |
| 2 | 1710 | 2.250-10 | 3.500 | 5.250 | EY 6-4-6861 |
| 2 | 1710 | 2.250-10 | 3.500 | 5.250 | EY 6-4-6861-1 |
| 2 | 1710 | 2.250-10 | 3.500 | 5.250 | EY 6-4-6901-1X |
| 2 | 1810 | 2.250-10 | 3.500 | 5.844 | EY 6.5-4-2021 |

| Pos | Series | Spline Data | Hub Dia | * to End of Hub | End Fitting Part Number |
|-----|--------|-------------|---------|-----------------|-------------------------|
|-----|--------|-------------|---------|-----------------|-------------------------|

10 SP. 650

| | | | | | |
|---|--------|----------|-------|-------|-----------------|
| 2 | 1610 | 2.250-10 | 3.500 | 3.625 | CF 5-1-6331 |
| 2 | 1810 | 2.250-10 | 3.500 | 3.688 | CF 6.5-1-151 |
| 2 | SPL170 | 2.250-10 | 3.500 | 5.750 | EY 170-4-451-1 |
| 2 | SPL170 | 2.250-10 | 3.500 | 5.750 | EY 170-4-461-1X |
| 2 | SPL90 | 2.250-10 | 3.500 | 5.219 | EY 90-4-151-1X |
| 2 | SPL90 | 2.250-10 | 3.500 | 5.219 | EY 90-4-401-1 |
| 2 | 1550 | 2.250-10 | 3.500 | 5.125 | EY 4-4-3501-1 |
| 2 | 1610 | 2.250-10 | 3.500 | 5.750 | EY 5-4-4961-1 |
| 2 | 1710 | 2.250-10 | 3.500 | 5.250 | EY 6-4-6861 |
| 2 | 1710 | 2.250-10 | 3.500 | 5.250 | EY 6-4-6901-1X |
| 2 | 1810 | 2.250-10 | 3.500 | 5.844 | EY 6.5-4-2021 |

10 SP. 1120, 15 SP. 1120

| | | | | | |
|---|--------|----------|-------|-------|-----------------|
| 2 | 1610 | 2.250-10 | 3.500 | 3.625 | CF 5-1-6331 |
| 2 | 1810 | 2.250-10 | 3.500 | 3.688 | CF 6.5-1-151 |
| 2 | SPL170 | 2.250-10 | 3.500 | 5.750 | EY 170-4-451-1 |
| 2 | SPL170 | 2.250-10 | 3.500 | 5.750 | EY 170-4-461-1X |
| 2 | SPL90 | 2.250-10 | 3.500 | 5.219 | EY 90-4-151-1X |
| 2 | SPL90 | 2.250-10 | 3.500 | 5.219 | EY 90-4-401-1 |
| 2 | 1550 | 2.250-10 | 3.500 | 5.125 | EY 4-4-3501-1 |
| 2 | 1610 | 2.250-10 | 3.500 | 5.750 | EY 5-4-4961 |
| 2 | 1610 | 2.250-10 | 3.500 | 5.750 | EY 5-4-4961-1 |
| 2 | 1710 | 2.250-10 | 3.500 | 5.250 | EY 6-4-6861 |
| 2 | 1710 | 2.250-10 | 3.500 | 5.250 | EY 6-4-6861-1 |
| 2 | 1710 | 2.250-10 | 3.500 | 5.250 | EY 6-4-6901-1X |
| 2 | 1810 | 2.250-10 | 3.500 | 5.844 | EY 6.5-4-2021 |

2-A-53, 2-A-62

| | | | | | |
|---|------|----------|-------|-------|-------------|
| 2 | 1610 | 2.000-10 | 3.250 | 3.625 | CF 5-1-931 |
| 2 | 1710 | 2.000-10 | 3.250 | 5.625 | EY 6-4-2001 |

2-A-92

| | | | | | |
|---|--------|----------|-------|-------|-----------------|
| 1 | 1610 | 2.250-10 | 3.500 | 3.625 | CF 5-1-6331 |
| 1 | 1810 | 2.250-10 | 3.500 | 3.688 | CF 6.5-1-151 |
| 1 | SPL170 | 2.250-10 | 3.500 | 5.750 | EY 170-4-451-1 |
| 1 | SPL170 | 2.250-10 | 3.500 | 5.750 | EY 170-4-461-1X |
| 1 | SPL90 | 2.250-10 | 3.500 | 5.219 | EY 90-4-151-1X |
| 1 | SPL90 | 2.250-10 | 3.500 | 5.219 | EY 90-4-401-1 |
| 1 | 1550 | 2.250-10 | 3.500 | 5.125 | EY 4-4-3501-1 |
| 1 | 1610 | 2.250-10 | 3.500 | 5.750 | EY 5-4-4961 |
| 1 | 1610 | 2.250-10 | 3.500 | 5.750 | EY 5-4-4961-1 |
| 1 | 1710 | 2.250-10 | 3.500 | 5.250 | EY 6-4-6861 |
| 1 | 1710 | 2.250-10 | 3.500 | 5.250 | EY 6-4-6861-1 |
| 1 | 1710 | 2.250-10 | 3.500 | 5.250 | EY 6-4-6901-1X |
| 1 | 1810 | 2.250-10 | 3.500 | 5.844 | EY 6.5-4-2021 |
| 2 | 1610 | 2.250-10 | 3.500 | 3.625 | CF 5-1-6331 |
| 2 | 1810 | 2.250-10 | 3.500 | 3.688 | CF 6.5-1-151 |
| 2 | SPL170 | 2.250-10 | 3.500 | 5.750 | EY 170-4-451-1 |
| 2 | SPL170 | 2.250-10 | 3.500 | 5.750 | EY 170-4-461-1X |
| 2 | SPL90 | 2.250-10 | 3.500 | 5.219 | EY 90-4-151-1X |
| 2 | SPL90 | 2.250-10 | 3.500 | 5.219 | EY 90-4-401-1 |

*C/L to End of Hub for EY (End Yoke); Flange Face to End of Hub for CF (Companion Flange)

■ Hub machined for speedometer gear



| Pos | Series | Spline Data | Hub Dia | * to End of Hub | End Fitting Part Number |
|---------------------------|--------|-------------|---------|-----------------|-------------------------|
| 2-A-92 (Continued) | | | | | |
| 2 | 1550 | 2.250-10 | 3.500 | 5.125 | EY 4-4-3501-1 |
| 2 | 1610 | 2.250-10 | 3.500 | 5.750 | EY 5-4-4961 |
| 2 | 1610 | 2.250-10 | 3.500 | 5.750 | EY 5-4-4961-1 |
| 2 | 1710 | 2.250-10 | 3.500 | 5.250 | EY 6-4-6861 |
| 2 | 1710 | 2.250-10 | 3.500 | 5.250 | EY 6-4-6861-1 |
| 2 | 1710 | 2.250-10 | 3.500 | 5.250 | EY 6-4-6901-1X |
| 2 | 1810 | 2.250-10 | 3.500 | 5.844 | EY 6.5-4-2021 |

| | | | | | |
|-----------------------|------|----------|-------|-------|-------------|
| 2-B-53, 2-B-62 | | | | | |
| 2 | 1610 | 2.000-10 | 3.250 | 3.625 | CF 5-1-931 |
| 2 | 1710 | 2.000-10 | 3.250 | 5.625 | EY 6-4-2001 |

| | | | | | |
|---------------|--------|----------|-------|-------|-----------------|
| 2-B-92 | | | | | |
| 1 | 1610 | 2.250-10 | 3.500 | 3.625 | CF 5-1-6331 |
| 1 | 1810 | 2.250-10 | 3.500 | 3.688 | CF 6.5-1-151 |
| 1 | SPL170 | 2.250-10 | 3.500 | 5.750 | EY 170-4-451-1 |
| 1 | SPL170 | 2.250-10 | 3.500 | 5.750 | EY 170-4-461-1X |
| 1 | SPL90 | 2.250-10 | 3.500 | 5.219 | EY 90-4-151-1X |
| 1 | SPL90 | 2.250-10 | 3.500 | 5.219 | EY 90-4-401-1 |
| 1 | 1550 | 2.250-10 | 3.500 | 5.125 | EY 4-4-3501-1 |
| 1 | 1610 | 2.250-10 | 3.500 | 5.750 | EY 5-4-4961 |
| 1 | 1610 | 2.250-10 | 3.500 | 5.750 | EY 5-4-4961-1 |
| 1 | 1710 | 2.250-10 | 3.500 | 5.250 | EY 6-4-6861 |
| 1 | 1710 | 2.250-10 | 3.500 | 5.250 | EY 6-4-6861-1 |
| 1 | 1710 | 2.250-10 | 3.500 | 5.250 | EY 6-4-6901-1X |
| 1 | 1810 | 2.250-10 | 3.500 | 5.844 | EY 6.5-4-2021 |
| 2 | 1610 | 2.250-10 | 3.500 | 3.625 | CF 5-1-6331 |
| 2 | 1810 | 2.250-10 | 3.500 | 3.688 | CF 6.5-1-151 |
| 2 | SPL170 | 2.250-10 | 3.500 | 5.750 | EY 170-4-451-1 |
| 2 | SPL170 | 2.250-10 | 3.500 | 5.750 | EY 170-4-461-1X |
| 2 | SPL90 | 2.250-10 | 3.500 | 5.219 | EY 90-4-151-1X |
| 2 | SPL90 | 2.250-10 | 3.500 | 5.219 | EY 90-4-401-1 |
| 2 | 1550 | 2.250-10 | 3.500 | 5.125 | EY 4-4-3501-1 |
| 2 | 1610 | 2.250-10 | 3.500 | 5.750 | EY 5-4-4961 |
| 2 | 1610 | 2.250-10 | 3.500 | 5.750 | EY 5-4-4961-1 |
| 2 | 1710 | 2.250-10 | 3.500 | 5.250 | EY 6-4-6861 |
| 2 | 1710 | 2.250-10 | 3.500 | 5.250 | EY 6-4-6861-1 |
| 2 | 1710 | 2.250-10 | 3.500 | 5.250 | EY 6-4-6901-1X |
| 2 | 1810 | 2.250-10 | 3.500 | 5.844 | EY 6.5-4-2021 |

| | | | | | |
|---------------|------|----------|-------|-------|----------------|
| 3-A-65 | | | | | |
| 1 | 1610 | 2.000-10 | 3.250 | 3.625 | CF 5-1-931 |
| 1 | 1710 | 2.000-10 | 3.250 | 5.625 | EY 6-4-2001 |
| 2 | 1610 | 2.250-10 | 3.500 | 3.625 | CF 5-1-6331 |
| 2 | 1710 | 2.250-10 | 3.500 | 3.688 | CF 6-1-951 |
| 2 | 1810 | 2.250-10 | 3.500 | 3.688 | CF 6.5-1-151 |
| 2 | 1550 | 2.250-10 | 3.500 | 5.125 | EY 4-4-3501-1 |
| 2 | 1610 | 2.250-10 | 3.500 | 5.750 | EY 5-4-4961 |
| 2 | 1610 | 2.250-10 | 3.500 | 5.750 | EY 5-4-4961-1 |
| 2 | 1710 | 2.250-10 | 3.500 | 5.250 | EY 6-4-2141 |
| 2 | 1710 | 2.250-10 | 3.500 | 5.250 | EY 6-4-6861 |
| 2 | 1710 | 2.250-10 | 3.500 | 5.250 | EY 6-4-6861-1 |
| 2 | 1710 | 2.250-10 | 3.500 | 5.250 | EY 6-4-6901-1X |
| 2 | 1710 | 2.250-10 | 3.500 | 5.250 | EY 6-4-6901X |
| 2 | 1760 | 2.250-10 | 3.500 | 5.656 | EY 6.3-4-701-1 |
| 2 | 1810 | 2.250-10 | 3.500 | 5.844 | EY 6.5-4-2021 |

| | | | | | |
|---------------|------|----------|-------|-------|--------------|
| 3-A-92 | | | | | |
| 1 | 1610 | 2.250-10 | 3.500 | 3.625 | CF 5-1-6331 |
| 1 | 1710 | 2.250-10 | 3.500 | 3.688 | CF 6-1-951 |
| 1 | 1810 | 2.250-10 | 3.500 | 3.688 | CF 6.5-1-151 |

| Pos | Series | Spline Data | Hub Dia | * to End of Hub | End Fitting Part Number |
|---------------------------|--------|-------------|---------|-----------------|-------------------------|
| 3-A-92 (Continued) | | | | | |
| 1 | 1550 | 2.250-10 | 3.500 | 5.125 | EY 4-4-3501-1 |
| 1 | 1610 | 2.250-10 | 3.500 | 5.750 | EY 5-4-4961 |
| 1 | 1610 | 2.250-10 | 3.500 | 5.750 | EY 5-4-4961-1 |
| 1 | 1710 | 2.250-10 | 3.500 | 5.250 | EY 6-4-2141 |
| 1 | 1710 | 2.250-10 | 3.500 | 5.250 | EY 6-4-6861 |
| 1 | 1710 | 2.250-10 | 3.500 | 5.250 | EY 6-4-6861-1 |
| 1 | 1710 | 2.250-10 | 3.500 | 5.250 | EY 6-4-6901-1X |
| 1 | 1710 | 2.250-10 | 3.500 | 5.250 | EY 6-4-6901X |
| 1 | 1760 | 2.250-10 | 3.500 | 5.656 | EY 6.3-4-701-1 |
| 1 | 1810 | 2.250-10 | 3.500 | 5.844 | EY 6.5-4-2021 |

| | | | | | |
|---------------|------|----------|-------|-------|----------------|
| 3-B-65 | | | | | |
| 1 | 1610 | 2.000-10 | 3.250 | 3.625 | CF 5-1-931 |
| 1 | 1710 | 2.000-10 | 3.250 | 5.625 | EY 6-4-2001 |
| 2 | 1610 | 2.250-10 | 3.500 | 3.625 | CF 5-1-6331 |
| 2 | 1710 | 2.250-10 | 3.500 | 3.688 | CF 6-1-951 |
| 2 | 1810 | 2.250-10 | 3.500 | 3.688 | CF 6.5-1-151 |
| 2 | 1550 | 2.250-10 | 3.500 | 5.125 | EY 4-4-3501-1 |
| 2 | 1610 | 2.250-10 | 3.500 | 5.750 | EY 5-4-4961 |
| 2 | 1610 | 2.250-10 | 3.500 | 5.750 | EY 5-4-4961-1 |
| 2 | 1710 | 2.250-10 | 3.500 | 5.250 | EY 6-4-2141 |
| 2 | 1710 | 2.250-10 | 3.500 | 5.250 | EY 6-4-6861 |
| 2 | 1710 | 2.250-10 | 3.500 | 5.250 | EY 6-4-6861-1 |
| 2 | 1710 | 2.250-10 | 3.500 | 5.250 | EY 6-4-6901-1X |
| 2 | 1710 | 2.250-10 | 3.500 | 5.250 | EY 6-4-6901X |
| 2 | 1760 | 2.250-10 | 3.500 | 5.656 | EY 6.3-4-701-1 |
| 2 | 1810 | 2.250-10 | 3.500 | 5.844 | EY 6.5-4-2021 |

| | | | | | |
|---------------|------|----------|-------|-------|----------------|
| 3-B-92 | | | | | |
| 1 | 1610 | 2.250-10 | 3.500 | 3.625 | CF 5-1-6331 |
| 1 | 1710 | 2.250-10 | 3.500 | 3.688 | CF 6-1-951 |
| 1 | 1810 | 2.250-10 | 3.500 | 3.688 | CF 6.5-1-151 |
| 1 | 1550 | 2.250-10 | 3.500 | 5.125 | EY 4-4-3501-1 |
| 1 | 1610 | 2.250-10 | 3.500 | 5.750 | EY 5-4-4961 |
| 1 | 1610 | 2.250-10 | 3.500 | 5.750 | EY 5-4-4961-1 |
| 1 | 1710 | 2.250-10 | 3.500 | 5.250 | EY 6-4-2141 |
| 1 | 1710 | 2.250-10 | 3.500 | 5.250 | EY 6-4-6861 |
| 1 | 1710 | 2.250-10 | 3.500 | 5.250 | EY 6-4-6861-1 |
| 1 | 1710 | 2.250-10 | 3.500 | 5.250 | EY 6-4-6901-1X |
| 1 | 1710 | 2.250-10 | 3.500 | 5.250 | EY 6-4-6901X |
| 1 | 1760 | 2.250-10 | 3.500 | 5.656 | EY 6.3-4-701-1 |
| 1 | 1810 | 2.250-10 | 3.500 | 5.844 | EY 6.5-4-2021 |
| 2 | 1610 | 2.250-10 | 3.500 | 3.625 | CF 5-1-6331 |
| 2 | 1710 | 2.250-10 | 3.500 | 3.688 | CF 6-1-951 |
| 2 | 1810 | 2.250-10 | 3.500 | 3.688 | CF 6.5-1-151 |

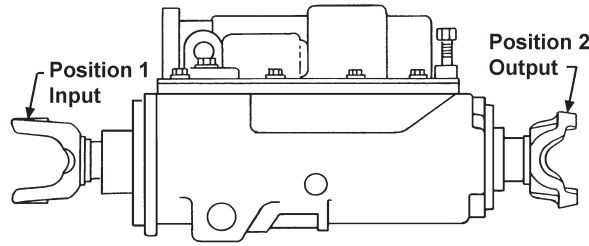
| | | | | | |
|-------------------------------|--|--|--|--|--|
| Continued on next page | | | | | |
|-------------------------------|--|--|--|--|--|

*C/L to End of Hub for EY (End Yoke); Flange Face to End of Hub for CF (Companion Flange)

■ Hub machined for speedometer gear



Important: See Safety Information in General Information Section (J300P-GI)



| Pos | Series | Spline Data | Hub Dia | * to End of Hub | End Fitting Part Number |
|-----|--------|-------------|---------|-----------------|-------------------------|
|-----|--------|-------------|---------|-----------------|-------------------------|

3-B-92 (Continued)

| | | | | | |
|---|------|----------|-------|-------|----------------|
| 2 | 1550 | 2.250-10 | 3.500 | 5.125 | EY 4-4-3501-1 |
| 2 | 1610 | 2.250-10 | 3.500 | 5.750 | EY 5-4-4961 |
| 2 | 1610 | 2.250-10 | 3.500 | 5.750 | EY 5-4-4961-1 |
| 2 | 1710 | 2.250-10 | 3.500 | 5.250 | EY 6-4-2141 |
| 2 | 1710 | 2.250-10 | 3.500 | 5.250 | EY 6-4-6861 |
| 2 | 1710 | 2.250-10 | 3.500 | 5.250 | EY 6-4-6861-1 |
| 2 | 1710 | 2.250-10 | 3.500 | 5.250 | EY 6-4-6901-1X |
| 2 | 1710 | 2.250-10 | 3.500 | 5.250 | EY 6-4-6901X |
| 2 | 1760 | 2.250-10 | 3.500 | 5.656 | EY 6.3-4-701-1 |
| 2 | 1810 | 2.250-10 | 3.500 | 5.844 | EY 6.5-4-2021 |

3-C-65

| | | | | | |
|---|------|----------|-------|-------|----------------|
| 1 | 1610 | 2.000-10 | 3.250 | 3.625 | CF 5-1-931 |
| 1 | 1710 | 2.000-10 | 3.250 | 5.625 | EY 6-4-2001 |
| 2 | 1610 | 2.250-10 | 3.500 | 3.625 | CF 5-1-6331 |
| 2 | 1710 | 2.250-10 | 3.500 | 3.688 | CF 6-1-951 |
| 2 | 1810 | 2.250-10 | 3.500 | 3.688 | CF 6.5-1-151 |
| 2 | 1550 | 2.250-10 | 3.500 | 5.125 | EY 4-4-3501-1 |
| 2 | 1610 | 2.250-10 | 3.500 | 5.750 | EY 5-4-4961 |
| 2 | 1610 | 2.250-10 | 3.500 | 5.750 | EY 5-4-4961-1 |
| 2 | 1710 | 2.250-10 | 3.500 | 5.250 | EY 6-4-2141 |
| 2 | 1710 | 2.250-10 | 3.500 | 5.250 | EY 6-4-6861 |
| 2 | 1710 | 2.250-10 | 3.500 | 5.250 | EY 6-4-6861-1 |
| 2 | 1710 | 2.250-10 | 3.500 | 5.250 | EY 6-4-6901-1X |
| 2 | 1710 | 2.250-10 | 3.500 | 5.250 | EY 6-4-6901X |
| 2 | 1760 | 2.250-10 | 3.500 | 5.656 | EY 6.3-4-701-1 |
| 2 | 1810 | 2.250-10 | 3.500 | 5.844 | EY 6.5-4-2021 |

3-C-92

| | | | | | |
|---|------|----------|-------|-------|----------------|
| 1 | 1610 | 2.250-10 | 3.500 | 3.625 | CF 5-1-6331 |
| 1 | 1710 | 2.250-10 | 3.500 | 3.688 | CF 6-1-951 |
| 1 | 1810 | 2.250-10 | 3.500 | 3.688 | CF 6.5-1-151 |
| 1 | 1550 | 2.250-10 | 3.500 | 5.125 | EY 4-4-3501-1 |
| 1 | 1610 | 2.250-10 | 3.500 | 5.750 | EY 5-4-4961 |
| 1 | 1610 | 2.250-10 | 3.500 | 5.750 | EY 5-4-4961-1 |
| 1 | 1710 | 2.250-10 | 3.500 | 5.250 | EY 6-4-2141 |
| 1 | 1710 | 2.250-10 | 3.500 | 5.250 | EY 6-4-6861 |
| 1 | 1710 | 2.250-10 | 3.500 | 5.250 | EY 6-4-6861-1 |
| 1 | 1710 | 2.250-10 | 3.500 | 5.250 | EY 6-4-6901-1X |
| 1 | 1710 | 2.250-10 | 3.500 | 5.250 | EY 6-4-6901X |
| 1 | 1760 | 2.250-10 | 3.500 | 5.656 | EY 6.3-4-701-1 |
| 1 | 1810 | 2.250-10 | 3.500 | 5.844 | EY 6.5-4-2021 |
| 2 | 1610 | 2.250-10 | 3.500 | 3.625 | CF 5-1-6331 |
| 2 | 1710 | 2.250-10 | 3.500 | 3.688 | CF 6-1-951 |
| 2 | 1810 | 2.250-10 | 3.500 | 3.688 | CF 6.5-1-151 |
| 2 | 1550 | 2.250-10 | 3.500 | 5.125 | EY 4-4-3501-1 |
| 2 | 1610 | 2.250-10 | 3.500 | 5.750 | EY 5-4-4961 |
| 2 | 1610 | 2.250-10 | 3.500 | 5.750 | EY 5-4-4961-1 |
| 2 | 1710 | 2.250-10 | 3.500 | 5.250 | EY 6-4-2141 |
| 2 | 1710 | 2.250-10 | 3.500 | 5.250 | EY 6-4-6861 |
| 2 | 1710 | 2.250-10 | 3.500 | 5.250 | EY 6-4-6861-1 |

| Pos | Series | Spline Data | Hub Dia | * to End of Hub | End Fitting Part Number |
|-----|--------|-------------|---------|-----------------|-------------------------|
|-----|--------|-------------|---------|-----------------|-------------------------|

3-C-92 (Continued)

| | | | | | |
|---|------|----------|-------|-------|----------------|
| 2 | 1710 | 2.250-10 | 3.500 | 5.250 | EY 6-4-6901-1X |
| 2 | 1710 | 2.250-10 | 3.500 | 5.250 | EY 6-4-6901X |
| 2 | 1760 | 2.250-10 | 3.500 | 5.656 | EY 6.3-4-701-1 |
| 2 | 1810 | 2.250-10 | 3.500 | 5.844 | EY 6.5-4-2021 |

3-D-65

| | | | | | |
|---|------|----------|-------|-------|----------------|
| 1 | 1610 | 2.000-10 | 3.250 | 3.625 | CF 5-1-931 |
| 1 | 1710 | 2.000-10 | 3.250 | 5.625 | EY 6-4-2001 |
| 2 | 1610 | 2.250-10 | 3.500 | 3.625 | CF 5-1-6331 |
| 2 | 1710 | 2.250-10 | 3.500 | 3.688 | CF 6-1-951 |
| 2 | 1810 | 2.250-10 | 3.500 | 3.688 | CF 6.5-1-151 |
| 2 | 1550 | 2.250-10 | 3.500 | 5.125 | EY 4-4-3501-1 |
| 2 | 1610 | 2.250-10 | 3.500 | 5.750 | EY 5-4-4961 |
| 2 | 1610 | 2.250-10 | 3.500 | 5.750 | EY 5-4-4961-1 |
| 2 | 1710 | 2.250-10 | 3.500 | 5.250 | EY 6-4-2141 |
| 2 | 1710 | 2.250-10 | 3.500 | 5.250 | EY 6-4-6861 |
| 2 | 1710 | 2.250-10 | 3.500 | 5.250 | EY 6-4-6861-1 |
| 2 | 1710 | 2.250-10 | 3.500 | 5.250 | EY 6-4-6901-1X |
| 2 | 1710 | 2.250-10 | 3.500 | 5.250 | EY 6-4-6901X |
| 2 | 1760 | 2.250-10 | 3.500 | 5.656 | EY 6.3-4-701-1 |
| 2 | 1810 | 2.250-10 | 3.500 | 5.844 | EY 6.5-4-2021 |

3-D-92

| | | | | | |
|---|------|----------|-------|-------|----------------|
| 1 | 1610 | 2.250-10 | 3.500 | 3.625 | CF 5-1-6331 |
| 1 | 1710 | 2.250-10 | 3.500 | 3.688 | CF 6-1-951 |
| 1 | 1810 | 2.250-10 | 3.500 | 3.688 | CF 6.5-1-151 |
| 1 | 1550 | 2.250-10 | 3.500 | 5.125 | EY 4-4-3501-1 |
| 1 | 1610 | 2.250-10 | 3.500 | 5.750 | EY 5-4-4961 |
| 1 | 1610 | 2.250-10 | 3.500 | 5.750 | EY 5-4-4961-1 |
| 1 | 1710 | 2.250-10 | 3.500 | 5.250 | EY 6-4-2141 |
| 1 | 1710 | 2.250-10 | 3.500 | 5.250 | EY 6-4-6861 |
| 1 | 1710 | 2.250-10 | 3.500 | 5.250 | EY 6-4-6861-1 |
| 1 | 1710 | 2.250-10 | 3.500 | 5.250 | EY 6-4-6901-1X |
| 1 | 1710 | 2.250-10 | 3.500 | 5.250 | EY 6-4-6901X |
| 1 | 1760 | 2.250-10 | 3.500 | 5.656 | EY 6.3-4-701-1 |
| 1 | 1810 | 2.250-10 | 3.500 | 5.844 | EY 6.5-4-2021 |
| 2 | 1610 | 2.250-10 | 3.500 | 3.625 | CF 5-1-6331 |
| 2 | 1710 | 2.250-10 | 3.500 | 3.688 | CF 6-1-951 |
| 2 | 1810 | 2.250-10 | 3.500 | 3.688 | CF 6.5-1-151 |
| 2 | 1550 | 2.250-10 | 3.500 | 5.125 | EY 4-4-3501-1 |
| 2 | 1610 | 2.250-10 | 3.500 | 5.750 | EY 5-4-4961 |
| 2 | 1610 | 2.250-10 | 3.500 | 5.750 | EY 5-4-4961-1 |
| 2 | 1710 | 2.250-10 | 3.500 | 5.250 | EY 6-4-2141 |
| 2 | 1710 | 2.250-10 | 3.500 | 5.250 | EY 6-4-6861 |
| 2 | 1710 | 2.250-10 | 3.500 | 5.250 | EY 6-4-6861-1 |
| 2 | 1710 | 2.250-10 | 3.500 | 5.250 | EY 6-4-6901-1X |
| 2 | 1710 | 2.250-10 | 3.500 | 5.250 | EY 6-4-6901X |
| 2 | 1760 | 2.250-10 | 3.500 | 5.656 | EY 6.3-4-701-1 |
| 2 | 1810 | 2.250-10 | 3.500 | 5.844 | EY 6.5-4-2021 |

*C/L to End of Hub for EY (End Yoke); Flange Face to End of Hub for CF (Companion Flange)

■ Hub machined for speedometer gear



| Pos | Series | Spline Data | Hub Dia | * to End of Hub | End Fitting Part Number |
|---------------|--------|-------------|---------|-----------------|-------------------------|
| 3-E-65 | | | | | |
| 1 | 1610 | 2.000-10 | 3.250 | 3.625 | CF 5-1-931 |
| 1 | 1710 | 2.000-10 | 3.250 | 5.625 | EY 6-4-2001 |
| 2 | 1610 | 2.250-10 | 3.500 | 3.625 | CF 5-1-6331 |
| 2 | 1710 | 2.250-10 | 3.500 | 3.688 | CF 6-1-951 |
| 2 | 1810 | 2.250-10 | 3.500 | 3.688 | CF 6.5-1-151 |
| 2 | 1550 | 2.250-10 | 3.500 | 5.125 | EY 4-4-3501-1 |
| 2 | 1610 | 2.250-10 | 3.500 | 5.750 | EY 5-4-4961 |
| 2 | 1610 | 2.250-10 | 3.500 | 5.750 | EY 5-4-4961-1 |
| 2 | 1710 | 2.250-10 | 3.500 | 5.250 | EY 6-4-2141 |
| 2 | 1710 | 2.250-10 | 3.500 | 5.250 | EY 6-4-6861 |
| 2 | 1710 | 2.250-10 | 3.500 | 5.250 | EY 6-4-6861-1 |
| 2 | 1710 | 2.250-10 | 3.500 | 5.250 | EY 6-4-6901-1X |
| 2 | 1710 | 2.250-10 | 3.500 | 5.250 | EY 6-4-6901X |
| 2 | 1760 | 2.250-10 | 3.500 | 5.656 | EY 6.3-4-701-1 |
| 2 | 1810 | 2.250-10 | 3.500 | 5.844 | EY 6.5-4-2021 |

| | | | | | |
|---------------|------|----------|-------|-------|----------------|
| 3-E-92 | | | | | |
| 1 | 1610 | 2.250-10 | 3.500 | 3.625 | CF 5-1-6331 |
| 1 | 1710 | 2.250-10 | 3.500 | 3.688 | CF 6-1-951 |
| 1 | 1810 | 2.250-10 | 3.500 | 3.688 | CF 6.5-1-151 |
| 1 | 1550 | 2.250-10 | 3.500 | 5.125 | EY 4-4-3501-1 |
| 1 | 1610 | 2.250-10 | 3.500 | 5.750 | EY 5-4-4961 |
| 1 | 1610 | 2.250-10 | 3.500 | 5.750 | EY 5-4-4961-1 |
| 1 | 1710 | 2.250-10 | 3.500 | 5.250 | EY 6-4-2141 |
| 1 | 1710 | 2.250-10 | 3.500 | 5.250 | EY 6-4-6861 |
| 1 | 1710 | 2.250-10 | 3.500 | 5.250 | EY 6-4-6861-1 |
| 1 | 1710 | 2.250-10 | 3.500 | 5.250 | EY 6-4-6901-1X |
| 1 | 1710 | 2.250-10 | 3.500 | 5.250 | EY 6-4-6901X |
| 1 | 1760 | 2.250-10 | 3.500 | 5.656 | EY 6.3-4-701-1 |
| 1 | 1810 | 2.250-10 | 3.500 | 5.844 | EY 6.5-4-2021 |
| 2 | 1610 | 2.250-10 | 3.500 | 3.625 | CF 5-1-6331 |
| 2 | 1710 | 2.250-10 | 3.500 | 3.688 | CF 6-1-951 |
| 2 | 1810 | 2.250-10 | 3.500 | 3.688 | CF 6.5-1-151 |
| 2 | 1550 | 2.250-10 | 3.500 | 5.125 | EY 4-4-3501-1 |
| 2 | 1610 | 2.250-10 | 3.500 | 5.750 | EY 5-4-4961 |
| 2 | 1610 | 2.250-10 | 3.500 | 5.750 | EY 5-4-4961-1 |
| 2 | 1710 | 2.250-10 | 3.500 | 5.250 | EY 6-4-2141 |
| 2 | 1710 | 2.250-10 | 3.500 | 5.250 | EY 6-4-6861 |
| 2 | 1710 | 2.250-10 | 3.500 | 5.250 | EY 6-4-6861-1 |
| 2 | 1710 | 2.250-10 | 3.500 | 5.250 | EY 6-4-6901-1X |
| 2 | 1710 | 2.250-10 | 3.500 | 5.250 | EY 6-4-6901X |
| 2 | 1760 | 2.250-10 | 3.500 | 5.656 | EY 6.3-4-701-1 |
| 2 | 1810 | 2.250-10 | 3.500 | 5.844 | EY 6.5-4-2021 |

| | | | | | |
|---------------|------|----------|-------|-------|----------------|
| 3-F-65 | | | | | |
| 1 | 1610 | 2.000-10 | 3.250 | 3.625 | CF 5-1-931 |
| 1 | 1710 | 2.000-10 | 3.250 | 5.625 | EY 6-4-2001 |
| 2 | 1610 | 2.250-10 | 3.500 | 3.625 | CF 5-1-6331 |
| 2 | 1710 | 2.250-10 | 3.500 | 3.688 | CF 6-1-951 |
| 2 | 1810 | 2.250-10 | 3.500 | 3.688 | CF 6.5-1-151 |
| 2 | 1550 | 2.250-10 | 3.500 | 5.125 | EY 4-4-3501-1 |
| 2 | 1610 | 2.250-10 | 3.500 | 5.750 | EY 5-4-4961 |
| 2 | 1610 | 2.250-10 | 3.500 | 5.750 | EY 5-4-4961-1 |
| 2 | 1710 | 2.250-10 | 3.500 | 5.250 | EY 6-4-2141 |
| 2 | 1710 | 2.250-10 | 3.500 | 5.250 | EY 6-4-6861 |
| 2 | 1710 | 2.250-10 | 3.500 | 5.250 | EY 6-4-6861-1 |
| 2 | 1710 | 2.250-10 | 3.500 | 5.250 | EY 6-4-6901-1X |
| 2 | 1710 | 2.250-10 | 3.500 | 5.250 | EY 6-4-6901X |
| 2 | 1760 | 2.250-10 | 3.500 | 5.656 | EY 6.3-4-701-1 |
| 2 | 1810 | 2.250-10 | 3.500 | 5.844 | EY 6.5-4-2021 |

| Pos | Series | Spline Data | Hub Dia | * to End of Hub | End Fitting Part Number |
|---------------|--------|-------------|---------|-----------------|-------------------------|
| 3-F-92 | | | | | |
| 1 | 1610 | 2.250-10 | 3.500 | 3.625 | CF 5-1-6331 |
| 1 | 1710 | 2.250-10 | 3.500 | 3.688 | CF 6-1-951 |
| 1 | 1810 | 2.250-10 | 3.500 | 3.688 | CF 6.5-1-151 |
| 1 | 1550 | 2.250-10 | 3.500 | 5.125 | EY 4-4-3501-1 |
| 1 | 1610 | 2.250-10 | 3.500 | 5.750 | EY 5-4-4961 |
| 1 | 1610 | 2.250-10 | 3.500 | 5.750 | EY 5-4-4961-1 |
| 1 | 1710 | 2.250-10 | 3.500 | 5.250 | EY 6-4-2141 |
| 1 | 1710 | 2.250-10 | 3.500 | 5.250 | EY 6-4-6861 |
| 1 | 1710 | 2.250-10 | 3.500 | 5.250 | EY 6-4-6861-1 |
| 1 | 1710 | 2.250-10 | 3.500 | 5.250 | EY 6-4-6901-1X |
| 1 | 1710 | 2.250-10 | 3.500 | 5.250 | EY 6-4-6901X |
| 1 | 1760 | 2.250-10 | 3.500 | 5.656 | EY 6.3-4-701-1 |
| 1 | 1810 | 2.250-10 | 3.500 | 5.844 | EY 6.5-4-2021 |
| 2 | 1610 | 2.250-10 | 3.500 | 3.625 | CF 5-1-6331 |
| 2 | 1710 | 2.250-10 | 3.500 | 3.688 | CF 6-1-951 |
| 2 | 1810 | 2.250-10 | 3.500 | 3.688 | CF 6.5-1-151 |
| 2 | 1550 | 2.250-10 | 3.500 | 5.125 | EY 4-4-3501-1 |
| 2 | 1610 | 2.250-10 | 3.500 | 5.750 | EY 5-4-4961 |
| 2 | 1610 | 2.250-10 | 3.500 | 5.750 | EY 5-4-4961-1 |
| 2 | 1710 | 2.250-10 | 3.500 | 5.250 | EY 6-4-2141 |
| 2 | 1710 | 2.250-10 | 3.500 | 5.250 | EY 6-4-6861 |
| 2 | 1710 | 2.250-10 | 3.500 | 5.250 | EY 6-4-6861-1 |
| 2 | 1710 | 2.250-10 | 3.500 | 5.250 | EY 6-4-6901-1X |
| 2 | 1710 | 2.250-10 | 3.500 | 5.250 | EY 6-4-6901X |
| 2 | 1760 | 2.250-10 | 3.500 | 5.656 | EY 6.3-4-701-1 |
| 2 | 1810 | 2.250-10 | 3.500 | 5.844 | EY 6.5-4-2021 |

| | | | | | |
|---------------|------|----------|-------|-------|----------------|
| 3-G-65 | | | | | |
| 1 | 1610 | 2.000-10 | 3.250 | 3.625 | CF 5-1-931 |
| 1 | 1710 | 2.000-10 | 3.250 | 5.625 | EY 6-4-2001 |
| 2 | 1610 | 2.250-10 | 3.500 | 3.625 | CF 5-1-6331 |
| 2 | 1710 | 2.250-10 | 3.500 | 3.688 | CF 6-1-951 |
| 2 | 1810 | 2.250-10 | 3.500 | 3.688 | CF 6.5-1-151 |
| 2 | 1550 | 2.250-10 | 3.500 | 5.125 | EY 4-4-3501-1 |
| 2 | 1610 | 2.250-10 | 3.500 | 5.750 | EY 5-4-4961 |
| 2 | 1610 | 2.250-10 | 3.500 | 5.750 | EY 5-4-4961-1 |
| 2 | 1710 | 2.250-10 | 3.500 | 5.250 | EY 6-4-2141 |
| 2 | 1710 | 2.250-10 | 3.500 | 5.250 | EY 6-4-6861 |
| 2 | 1710 | 2.250-10 | 3.500 | 5.250 | EY 6-4-6861-1 |
| 2 | 1710 | 2.250-10 | 3.500 | 5.250 | EY 6-4-6901-1X |
| 2 | 1710 | 2.250-10 | 3.500 | 5.250 | EY 6-4-6901X |
| 2 | 1760 | 2.250-10 | 3.500 | 5.656 | EY 6.3-4-701-1 |
| 2 | 1810 | 2.250-10 | 3.500 | 5.844 | EY 6.5-4-2021 |

| | | | | | |
|---------------|------|----------|-------|-------|----------------|
| 3-G-92 | | | | | |
| 1 | 1610 | 2.250-10 | 3.500 | 3.625 | CF 5-1-6331 |
| 1 | 1710 | 2.250-10 | 3.500 | 3.688 | CF 6-1-951 |
| 1 | 1810 | 2.250-10 | 3.500 | 3.688 | CF 6.5-1-151 |
| 1 | 1550 | 2.250-10 | 3.500 | 5.125 | EY 4-4-3501-1 |
| 1 | 1610 | 2.250-10 | 3.500 | 5.750 | EY 5-4-4961 |
| 1 | 1610 | 2.250-10 | 3.500 | 5.750 | EY 5-4-4961-1 |
| 1 | 1710 | 2.250-10 | 3.500 | 5.250 | EY 6-4-2141 |
| 1 | 1710 | 2.250-10 | 3.500 | 5.250 | EY 6-4-6861 |
| 1 | 1710 | 2.250-10 | 3.500 | 5.250 | EY 6-4-6861-1 |
| 1 | 1710 | 2.250-10 | 3.500 | 5.250 | EY 6-4-6901-1X |
| 1 | 1710 | 2.250-10 | 3.500 | 5.250 | EY 6-4-6901X |
| 1 | 1760 | 2.250-10 | 3.500 | 5.656 | EY 6.3-4-701-1 |
| 1 | 1810 | 2.250-10 | 3.500 | 5.844 | EY 6.5-4-2021 |

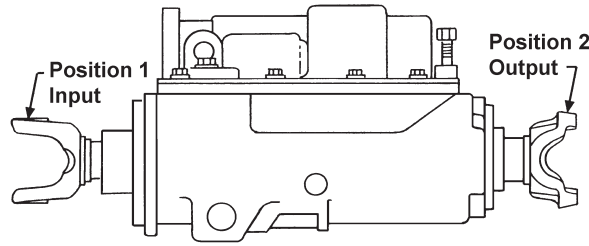
Continued on next page

*C/L to End of Hub for EY (End Yoke); Flange Face to End of Hub for CF (Companion Flange)

■ Hub machined for speedometer gear



Important: See Safety Information in General Information Section (J300P-GI)



| Pos | Series | Spline Data | Hub Dia | * to End of Hub | End Fitting Part Number |
|-----|--------|-------------|---------|-----------------|-------------------------|
|-----|--------|-------------|---------|-----------------|-------------------------|

3-G-92 (Continued)

| | | | | | |
|---|------|----------|-------|-------|----------------|
| 2 | 1610 | 2.250-10 | 3.500 | 3.625 | CF 5-1-6331 |
| 2 | 1710 | 2.250-10 | 3.500 | 3.688 | CF 6-1-951 |
| 2 | 1810 | 2.250-10 | 3.500 | 3.688 | CF 6.5-1-151 |
| 2 | 1550 | 2.250-10 | 3.500 | 5.125 | EY 4-4-3501-1 |
| 2 | 1610 | 2.250-10 | 3.500 | 5.750 | EY 5-4-4961 |
| 2 | 1610 | 2.250-10 | 3.500 | 5.750 | EY 5-4-4961-1 |
| 2 | 1710 | 2.250-10 | 3.500 | 5.250 | EY 6-4-2141 |
| 2 | 1710 | 2.250-10 | 3.500 | 5.250 | EY 6-4-6861 |
| 2 | 1710 | 2.250-10 | 3.500 | 5.250 | EY 6-4-6861-1 |
| 2 | 1710 | 2.250-10 | 3.500 | 5.250 | EY 6-4-6901-1X |
| 2 | 1710 | 2.250-10 | 3.500 | 5.250 | EY 6-4-6901X |
| 2 | 1760 | 2.250-10 | 3.500 | 5.656 | EY 6.3-4-701-1 |
| 2 | 1810 | 2.250-10 | 3.500 | 5.844 | EY 6.5-4-2021 |

3-H-65

| | | | | | |
|---|------|----------|-------|-------|----------------|
| 1 | 1610 | 2.000-10 | 3.250 | 3.625 | CF 5-1-931 |
| 1 | 1710 | 2.000-10 | 3.250 | 5.625 | EY 6-4-2001 |
| 2 | 1610 | 2.250-10 | 3.500 | 3.625 | CF 5-1-6331 |
| 2 | 1710 | 2.250-10 | 3.500 | 3.688 | CF 6-1-951 |
| 2 | 1810 | 2.250-10 | 3.500 | 3.688 | CF 6.5-1-151 |
| 2 | 1550 | 2.250-10 | 3.500 | 5.125 | EY 4-4-3501-1 |
| 2 | 1610 | 2.250-10 | 3.500 | 5.750 | EY 5-4-4961 |
| 2 | 1610 | 2.250-10 | 3.500 | 5.750 | EY 5-4-4961-1 |
| 2 | 1710 | 2.250-10 | 3.500 | 5.250 | EY 6-4-2141 |
| 2 | 1710 | 2.250-10 | 3.500 | 5.250 | EY 6-4-6861 |
| 2 | 1710 | 2.250-10 | 3.500 | 5.250 | EY 6-4-6861-1 |
| 2 | 1710 | 2.250-10 | 3.500 | 5.250 | EY 6-4-6901-1X |
| 2 | 1710 | 2.250-10 | 3.500 | 5.250 | EY 6-4-6901X |
| 2 | 1760 | 2.250-10 | 3.500 | 5.656 | EY 6.3-4-701-1 |
| 2 | 1810 | 2.250-10 | 3.500 | 5.844 | EY 6.5-4-2021 |

3-H-92, 3-TA-92, 3-TC-92

| | | | | | |
|---|------|----------|-------|-------|----------------|
| 1 | 1610 | 2.250-10 | 3.500 | 3.625 | CF 5-1-6331 |
| 1 | 1710 | 2.250-10 | 3.500 | 3.688 | CF 6-1-951 |
| 1 | 1810 | 2.250-10 | 3.500 | 3.688 | CF 6.5-1-151 |
| 1 | 1550 | 2.250-10 | 3.500 | 5.125 | EY 4-4-3501-1 |
| 1 | 1610 | 2.250-10 | 3.500 | 5.750 | EY 5-4-4961 |
| 1 | 1610 | 2.250-10 | 3.500 | 5.750 | EY 5-4-4961-1 |
| 1 | 1710 | 2.250-10 | 3.500 | 5.250 | EY 6-4-2141 |
| 1 | 1710 | 2.250-10 | 3.500 | 5.250 | EY 6-4-6861 |
| 1 | 1710 | 2.250-10 | 3.500 | 5.250 | EY 6-4-6861-1 |
| 1 | 1710 | 2.250-10 | 3.500 | 5.250 | EY 6-4-6901-1X |
| 1 | 1710 | 2.250-10 | 3.500 | 5.250 | EY 6-4-6901X |
| 1 | 1760 | 2.250-10 | 3.500 | 5.656 | EY 6.3-4-701-1 |
| 1 | 1810 | 2.250-10 | 3.500 | 5.844 | EY 6.5-4-2021 |
| 2 | 1610 | 2.250-10 | 3.500 | 3.625 | CF 5-1-6331 |
| 2 | 1710 | 2.250-10 | 3.500 | 3.688 | CF 6-1-951 |
| 2 | 1810 | 2.250-10 | 3.500 | 3.688 | CF 6.5-1-151 |
| 2 | 1550 | 2.250-10 | 3.500 | 5.125 | EY 4-4-3501-1 |
| 2 | 1610 | 2.250-10 | 3.500 | 5.750 | EY 5-4-4961 |
| 2 | 1610 | 2.250-10 | 3.500 | 5.750 | EY 5-4-4961-1 |
| 2 | 1710 | 2.250-10 | 3.500 | 5.250 | EY 6-4-2141 |

| Pos | Series | Spline Data | Hub Dia | * to End of Hub | End Fitting Part Number |
|-----|--------|-------------|---------|-----------------|-------------------------|
|-----|--------|-------------|---------|-----------------|-------------------------|

3-H-92, 3-TA-92, 3-TC-92 (Continued)

| | | | | | |
|---|------|----------|-------|-------|----------------|
| 2 | 1710 | 2.250-10 | 3.500 | 5.250 | EY 6-4-6861 |
| 2 | 1710 | 2.250-10 | 3.500 | 5.250 | EY 6-4-6861-1 |
| 2 | 1710 | 2.250-10 | 3.500 | 5.250 | EY 6-4-6901-1X |
| 2 | 1710 | 2.250-10 | 3.500 | 5.250 | EY 6-4-6901X |
| 2 | 1760 | 2.250-10 | 3.500 | 5.656 | EY 6.3-4-701-1 |
| 2 | 1810 | 2.250-10 | 3.500 | 5.844 | EY 6.5-4-2021 |

3-TD-92

| | | | | | |
|---|------|----------|-------|-------|----------------|
| 1 | 1610 | 2.250-10 | 3.500 | 3.625 | CF 5-1-6331 |
| 1 | 1710 | 2.250-10 | 3.500 | 3.688 | CF 6-1-951 |
| 1 | 1810 | 2.250-10 | 3.500 | 3.688 | CF 6.5-1-151 |
| 1 | 1610 | 2.250-10 | 3.500 | 5.750 | EY 5-4-4961 |
| 1 | 1610 | 2.250-10 | 3.500 | 5.750 | EY 5-4-4961-1 |
| 1 | 1710 | 2.250-10 | 3.500 | 5.250 | EY 6-4-2141 |
| 1 | 1710 | 2.250-10 | 3.500 | 5.250 | EY 6-4-6861 |
| 1 | 1710 | 2.250-10 | 3.500 | 5.250 | EY 6-4-6861-1 |
| 1 | 1710 | 2.250-10 | 3.500 | 5.250 | EY 6-4-6901-1X |
| 1 | 1710 | 2.250-10 | 3.500 | 5.250 | EY 6-4-6901X |
| 1 | 1760 | 2.250-10 | 3.500 | 5.656 | EY 6.3-4-701-1 |
| 1 | 1810 | 2.250-10 | 3.500 | 5.844 | EY 6.5-4-2021 |
| 2 | 1610 | 2.250-10 | 3.500 | 3.625 | CF 5-1-6331 |
| 2 | 1710 | 2.250-10 | 3.500 | 3.688 | CF 6-1-951 |
| 2 | 1810 | 2.250-10 | 3.500 | 3.688 | CF 6.5-1-151 |
| 2 | 1550 | 2.250-10 | 3.500 | 5.125 | EY 4-4-3501-1 |
| 2 | 1610 | 2.250-10 | 3.500 | 5.750 | EY 5-4-4961 |
| 2 | 1610 | 2.250-10 | 3.500 | 5.750 | EY 5-4-4961-1 |
| 2 | 1710 | 2.250-10 | 3.500 | 5.250 | EY 6-4-2141 |
| 2 | 1710 | 2.250-10 | 3.500 | 5.250 | EY 6-4-6861 |
| 2 | 1710 | 2.250-10 | 3.500 | 5.250 | EY 6-4-6861-1 |
| 2 | 1710 | 2.250-10 | 3.500 | 5.250 | EY 6-4-6901-1X |
| 2 | 1710 | 2.250-10 | 3.500 | 5.250 | EY 6-4-6901X |
| 2 | 1760 | 2.250-10 | 3.500 | 5.656 | EY 6.3-4-701-1 |
| 2 | 1810 | 2.250-10 | 3.500 | 5.844 | EY 6.5-4-2021 |

3K65, 3L65, 3M65, 3P65, 3Q65

| | | | | | |
|---|------|----------|-------|-------|-------------|
| 1 | 1610 | 2.250-10 | 3.500 | 5.750 | EY 5-4-4961 |
|---|------|----------|-------|-------|-------------|

4 SP. 75

| | | | | | |
|---|--------|----------|-------|-------|-----------------|
| 2 | 1610 | 2.250-10 | 3.500 | 3.625 | CF 5-1-6331 |
| 2 | 1810 | 2.250-10 | 3.500 | 3.688 | CF 6.5-1-151 |
| 2 | SPL170 | 2.250-10 | 3.500 | 5.750 | EY 170-4-451-1 |
| 2 | SPL170 | 2.250-10 | 3.500 | 5.750 | EY 170-4-461-1X |
| 2 | SPL90 | 2.250-10 | 3.500 | 5.219 | EY 90-4-151-1X |
| 2 | SPL90 | 2.250-10 | 3.500 | 5.219 | EY 90-4-401-1 |
| 2 | 1550 | 2.250-10 | 3.500 | 5.125 | EY 4-4-3501-1 |
| 2 | 1610 | 2.250-10 | 3.500 | 5.750 | EY 5-4-4961 |
| 2 | 1610 | 2.250-10 | 3.500 | 5.750 | EY 5-4-4961-1 |
| 2 | 1710 | 2.250-10 | 3.500 | 5.250 | EY 6-4-6861 |
| 2 | 1710 | 2.250-10 | 3.500 | 5.250 | EY 6-4-6861-1 |
| 2 | 1710 | 2.250-10 | 3.500 | 5.250 | EY 6-4-6901-1X |
| 2 | 1710 | 2.250-10 | 3.500 | 5.250 | EY 6-4-6901X |
| 2 | 1760 | 2.250-10 | 3.500 | 5.656 | EY 6.3-4-761-1X |
| 2 | 1810 | 2.250-10 | 3.500 | 5.844 | EY 6.5-4-2021 |

*C/L to End of Hub for EY (End Yoke); Flange Face to End of Hub for CF (Companion Flange)

■ Hub machined for speedometer gear



| Pos | Series | Spline Data | Hub Dia | * to End of Hub | End Fitting Part Number |
|---------------|--------|-------------|---------|-----------------|-------------------------|
| 4-B-73 | | | | | |
| 1 | 1610 | 2.250-10 | 3.500 | 3.625 | CF 5-1-6331 |
| 1 | 1710 | 2.250-10 | 3.500 | 3.688 | CF 6-1-951 |
| 1 | 1810 | 2.250-10 | 3.500 | 3.688 | CF 6.5-1-151 |
| 1 | 1550 | 2.250-10 | 3.500 | 5.125 | EY 4-4-3501-1 |
| 1 | 1610 | 2.250-10 | 3.500 | 5.750 | EY 5-4-4961 |
| 1 | 1610 | 2.250-10 | 3.500 | 5.750 | EY 5-4-4961-1 |
| 1 | 1710 | 2.250-10 | 3.500 | 5.250 | EY 6-4-2141 |
| 1 | 1710 | 2.250-10 | 3.500 | 5.250 | EY 6-4-6861 |
| 1 | 1710 | 2.250-10 | 3.500 | 5.250 | EY 6-4-6861-1 |
| 1 | 1710 | 2.250-10 | 3.500 | 5.250 | EY 6-4-6901-1X |
| 1 | 1710 | 2.250-10 | 3.500 | 5.250 | EY 6-4-6901X |
| 1 | 1760 | 2.250-10 | 3.500 | 5.656 | EY 6.3-4-701-1 |
| 1 | 1810 | 2.250-10 | 3.500 | 5.844 | EY 6.5-4-2021 |
| 2 | 1610 | 2.250-10 | 3.500 | 3.625 | CF 5-1-6331 |
| 2 | 1710 | 2.250-10 | 3.500 | 3.688 | CF 6-1-951 |
| 2 | 1810 | 2.250-10 | 3.500 | 3.688 | CF 6.5-1-151 |
| 2 | 1610 | 2.250-10 | 3.500 | 5.750 | EY 5-4-4961 |
| 2 | 1610 | 2.250-10 | 3.500 | 5.750 | EY 5-4-4961-1 |
| 2 | 1710 | 2.250-10 | 3.500 | 5.250 | EY 6-4-2141 |
| 2 | 1710 | 2.250-10 | 3.500 | 5.250 | EY 6-4-6861 |
| 2 | 1710 | 2.250-10 | 3.500 | 5.250 | EY 6-4-6861-1 |
| 2 | 1710 | 2.250-10 | 3.500 | 5.250 | EY 6-4-6901-1X |
| 2 | 1710 | 2.250-10 | 3.500 | 5.250 | EY 6-4-6901X |
| 2 | 1760 | 2.250-10 | 3.500 | 5.656 | EY 6.3-4-701-1 |
| 2 | 1810 | 2.250-10 | 3.500 | 5.844 | EY 6.5-4-2021 |

| | | | | | |
|---------------|------|----------|-------|-------|----------------|
| 4-B-75 | | | | | |
| 1 | 1610 | 2.250-10 | 3.500 | 3.625 | CF 5-1-6331 |
| 1 | 1710 | 2.250-10 | 3.500 | 3.688 | CF 6-1-951 |
| 1 | 1810 | 2.250-10 | 3.500 | 3.688 | CF 6.5-1-151 |
| 1 | 1550 | 2.250-10 | 3.500 | 5.125 | EY 4-4-3501-1 |
| 1 | 1610 | 2.250-10 | 3.500 | 5.750 | EY 5-4-4961 |
| 1 | 1610 | 2.250-10 | 3.500 | 5.750 | EY 5-4-4961-1 |
| 1 | 1710 | 2.250-10 | 3.500 | 5.250 | EY 6-4-2141 |
| 1 | 1710 | 2.250-10 | 3.500 | 5.250 | EY 6-4-6861 |
| 1 | 1710 | 2.250-10 | 3.500 | 5.250 | EY 6-4-6861-1 |
| 1 | 1710 | 2.250-10 | 3.500 | 5.250 | EY 6-4-6901-1X |
| 1 | 1710 | 2.250-10 | 3.500 | 5.250 | EY 6-4-6901X |
| 1 | 1760 | 2.250-10 | 3.500 | 5.656 | EY 6.3-4-701-1 |
| 1 | 1810 | 2.250-10 | 3.500 | 5.844 | EY 6.5-4-2021 |
| 2 | 1610 | 2.250-10 | 3.500 | 3.625 | CF 5-1-6331 |
| 2 | 1710 | 2.250-10 | 3.500 | 3.688 | CF 6-1-951 |
| 2 | 1810 | 2.250-10 | 3.500 | 3.688 | CF 6.5-1-151 |
| 2 | 1550 | 2.250-10 | 3.500 | 5.125 | EY 4-4-3501-1 |
| 2 | 1610 | 2.250-10 | 3.500 | 5.750 | EY 5-4-4961 |
| 2 | 1610 | 2.250-10 | 3.500 | 5.750 | EY 5-4-4961-1 |
| 2 | 1710 | 2.250-10 | 3.500 | 5.250 | EY 6-4-2141 |
| 2 | 1710 | 2.250-10 | 3.500 | 5.250 | EY 6-4-6861 |
| 2 | 1710 | 2.250-10 | 3.500 | 5.250 | EY 6-4-6861-1 |
| 2 | 1710 | 2.250-10 | 3.500 | 5.250 | EY 6-4-6901-1X |
| 2 | 1710 | 2.250-10 | 3.500 | 5.250 | EY 6-4-6901X |
| 2 | 1760 | 2.250-10 | 3.500 | 5.656 | EY 6.3-4-701-1 |
| 2 | 1810 | 2.250-10 | 3.500 | 5.844 | EY 6.5-4-2021 |

| | | | | | |
|---------------|------|----------|-------|-------|---------------|
| 4-C-75 | | | | | |
| 1 | 1610 | 2.250-10 | 3.500 | 3.625 | CF 5-1-6331 |
| 1 | 1710 | 2.250-10 | 3.500 | 3.688 | CF 6-1-951 |
| 1 | 1810 | 2.250-10 | 3.500 | 3.688 | CF 6.5-1-151 |
| 1 | 1550 | 2.250-10 | 3.500 | 5.125 | EY 4-4-3501-1 |

| Pos | Series | Spline Data | Hub Dia | * to End of Hub | End Fitting Part Number |
|---------------------------|--------|-------------|---------|-----------------|-------------------------|
| 4-C-75 (Continued) | | | | | |
| 1 | 1610 | 2.250-10 | 3.500 | 5.750 | EY 5-4-4961 |
| 1 | 1610 | 2.250-10 | 3.500 | 5.750 | EY 5-4-4961-1 |
| 1 | 1710 | 2.250-10 | 3.500 | 5.250 | EY 6-4-2141 |
| 1 | 1710 | 2.250-10 | 3.500 | 5.250 | EY 6-4-6861 |
| 1 | 1710 | 2.250-10 | 3.500 | 5.250 | EY 6-4-6861-1 |
| 1 | 1710 | 2.250-10 | 3.500 | 5.250 | EY 6-4-6901-1X |
| 1 | 1710 | 2.250-10 | 3.500 | 5.250 | EY 6-4-6901X |
| 1 | 1760 | 2.250-10 | 3.500 | 5.656 | EY 6.3-4-701-1 |
| 1 | 1810 | 2.250-10 | 3.500 | 5.844 | EY 6.5-4-2021 |
| 2 | 1610 | 2.250-10 | 3.500 | 3.625 | CF 5-1-6331 |
| 2 | 1710 | 2.250-10 | 3.500 | 3.688 | CF 6-1-951 |
| 2 | 1810 | 2.250-10 | 3.500 | 3.688 | CF 6.5-1-151 |
| 2 | 1610 | 2.250-10 | 3.500 | 5.750 | EY 5-4-4961 |
| 2 | 1610 | 2.250-10 | 3.500 | 5.750 | EY 5-4-4961-1 |
| 2 | 1710 | 2.250-10 | 3.500 | 5.250 | EY 6-4-2141 |
| 2 | 1710 | 2.250-10 | 3.500 | 5.250 | EY 6-4-6861 |
| 2 | 1710 | 2.250-10 | 3.500 | 5.250 | EY 6-4-6861-1 |
| 2 | 1710 | 2.250-10 | 3.500 | 5.250 | EY 6-4-6901-1X |
| 2 | 1710 | 2.250-10 | 3.500 | 5.250 | EY 6-4-6901X |
| 2 | 1760 | 2.250-10 | 3.500 | 5.656 | EY 6.3-4-701-1 |
| 2 | 1810 | 2.250-10 | 3.500 | 5.844 | EY 6.5-4-2021 |

| | | | | | |
|-----------------------|------|----------|-------|-------|----------------|
| 4-D-75, 4-E-75 | | | | | |
| 1 | 1610 | 2.250-10 | 3.500 | 3.625 | CF 5-1-6331 |
| 1 | 1710 | 2.250-10 | 3.500 | 3.688 | CF 6-1-951 |
| 1 | 1810 | 2.250-10 | 3.500 | 3.688 | CF 6.5-1-151 |
| 1 | 1550 | 2.250-10 | 3.500 | 5.125 | EY 4-4-3501-1 |
| 1 | 1610 | 2.250-10 | 3.500 | 5.750 | EY 5-4-4961 |
| 1 | 1610 | 2.250-10 | 3.500 | 5.750 | EY 5-4-4961-1 |
| 1 | 1710 | 2.250-10 | 3.500 | 5.250 | EY 6-4-2141 |
| 1 | 1710 | 2.250-10 | 3.500 | 5.250 | EY 6-4-6861 |
| 1 | 1710 | 2.250-10 | 3.500 | 5.250 | EY 6-4-6861-1 |
| 1 | 1710 | 2.250-10 | 3.500 | 5.250 | EY 6-4-6901-1X |
| 1 | 1710 | 2.250-10 | 3.500 | 5.250 | EY 6-4-6901X |
| 1 | 1760 | 2.250-10 | 3.500 | 5.656 | EY 6.3-4-701-1 |
| 1 | 1810 | 2.250-10 | 3.500 | 5.844 | EY 6.5-4-2021 |
| 2 | 1610 | 2.250-10 | 3.500 | 3.625 | CF 5-1-6331 |
| 2 | 1710 | 2.250-10 | 3.500 | 3.688 | CF 6-1-951 |
| 2 | 1810 | 2.250-10 | 3.500 | 3.688 | CF 6.5-1-151 |
| 2 | 1550 | 2.250-10 | 3.500 | 5.125 | EY 4-4-3501-1 |
| 2 | 1610 | 2.250-10 | 3.500 | 5.750 | EY 5-4-4961 |
| 2 | 1610 | 2.250-10 | 3.500 | 5.750 | EY 5-4-4961-1 |
| 2 | 1710 | 2.250-10 | 3.500 | 5.250 | EY 6-4-2141 |
| 2 | 1710 | 2.250-10 | 3.500 | 5.250 | EY 6-4-6861 |
| 2 | 1710 | 2.250-10 | 3.500 | 5.250 | EY 6-4-6861-1 |
| 2 | 1710 | 2.250-10 | 3.500 | 5.250 | EY 6-4-6901-1X |
| 2 | 1710 | 2.250-10 | 3.500 | 5.250 | EY 6-4-6901X |
| 2 | 1760 | 2.250-10 | 3.500 | 5.656 | EY 6.3-4-701-1 |
| 2 | 1810 | 2.250-10 | 3.500 | 5.844 | EY 6.5-4-2021 |

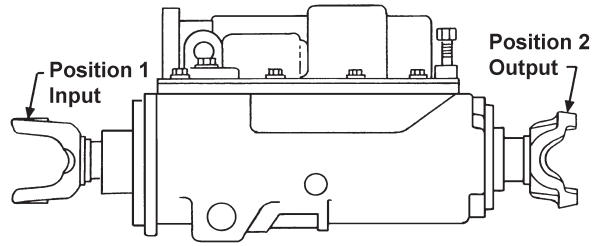
| | | | | | |
|----------------------------|--------|----------|-------|-------|-----------------|
| 4-F-1440, 4-MB-1440 | | | | | |
| 2 | 1810 | 2.750-10 | 3.750 | 4.062 | CF 6.5-1-2311 |
| 2 | 1810 | 2.750-10 | 3.750 | 4.062 | CF 6.5-1-2361X |
| 2 | SPL140 | 2.750-10 | 3.750 | 6.570 | EY 140-4-81-1 |
| 2 | SPL140 | 2.750-10 | 3.750 | 6.570 | EY 140-4-91-1X |
| 2 | SPL170 | 2.750-10 | 3.750 | 5.850 | EY 170-4-511-1 |
| 2 | SPL170 | 2.750-10 | 3.750 | 5.850 | EY 170-4-521-1X |
| 2 | SPL250 | 2.750-10 | 3.750 | 6.297 | EY 250-4-231-1 |

Continued on next page

*C/L to End of Hub for EY (End Yoke); Flange Face to End of Hub for CF (Companion Flange)

■ Hub machined for speedometer gear





| Pos | Series | Spline Data | Hub Dia | * to End of Hub | End Fitting Part Number |
|-----|--------|-------------|---------|-----------------|-------------------------|
|-----|--------|-------------|---------|-----------------|-------------------------|

| Pos | Series | Spline Data | Hub Dia | * to End of Hub | End Fitting Part Number |
|-----|--------|-------------|---------|-----------------|-------------------------|
|-----|--------|-------------|---------|-----------------|-------------------------|

4-F-1440, 4-MB-1440 (Continued)

| | | | | | |
|---|--------|----------|-------|-------|------------------|
| 2 | SPL250 | 2.750-10 | 3.750 | 6.297 | EY 250-4-241-1X |
| 2 | 1710 | 2.750-10 | 3.750 | 5.750 | EY 6-4-6821 |
| 2 | 1710 | 2.750-10 | 3.750 | 5.750 | EY 6-4-6821-1 |
| 2 | 1710 | 2.750-10 | 3.750 | 5.750 | EY 6-4-6931-1X |
| 2 | 1710 | 2.750-10 | 3.750 | 5.750 | EY 6-4-6931X |
| 2 | 1760 | 2.750-10 | 3.750 | 5.969 | EY 6.3-4-711 |
| 2 | 1760 | 2.750-10 | 3.750 | 5.969 | EY 6.3-4-711-1 |
| 2 | 1760 | 2.750-10 | 3.750 | 5.969 | EY 6.3-4-791-1X |
| 2 | 1760 | 2.750-10 | 3.750 | 5.969 | EY 6.3-4-791X |
| 2 | 1810 | 2.750-10 | 3.750 | 6.062 | EY 6.5-4-3491 |
| 2 | 1810 | 2.750-10 | 3.750 | 6.062 | EY 6.5-4-3491-1 |
| 2 | 1810 | 2.750-10 | 3.750 | 6.062 | EY 6.5-4-3561-1X |
| 2 | 1810 | 2.750-10 | 3.750 | 6.062 | EY 6.5-4-3561X |

4-MS-1440

| | | | | | |
|---|--------|----------|-------|-------|------------------|
| 2 | 1810 | 2.750-10 | 3.750 | 4.062 | CF 6.5-1-2311 |
| 2 | 1810 | 2.750-10 | 3.750 | 4.062 | CF 6.5-1-2361X |
| 2 | SPL140 | 2.750-10 | 3.750 | 6.570 | EY 140-4-81-1 |
| 2 | SPL140 | 2.750-10 | 3.750 | 6.570 | EY 140-4-91-1X |
| 2 | SPL170 | 2.750-10 | 3.750 | 5.850 | EY 170-4-511-1 |
| 2 | SPL170 | 2.750-10 | 3.750 | 5.850 | EY 170-4-521-1X |
| 2 | SPL250 | 2.750-10 | 3.750 | 6.297 | EY 250-4-231-1 |
| 2 | SPL250 | 2.750-10 | 3.750 | 6.297 | EY 250-4-241-1X |
| 2 | 1710 | 2.750-10 | 3.750 | 5.750 | EY 6-4-6821 |
| 2 | 1710 | 2.750-10 | 3.750 | 5.750 | EY 6-4-6821-1 |
| 2 | 1760 | 2.750-10 | 3.750 | 5.969 | EY 6.3-4-711 |
| 2 | 1760 | 2.750-10 | 3.750 | 5.969 | EY 6.3-4-711-1 |
| 2 | 1760 | 2.750-10 | 3.750 | 5.969 | EY 6.3-4-791-1X |
| 2 | 1760 | 2.750-10 | 3.750 | 5.969 | EY 6.3-4-791X |
| 2 | 1810 | 2.750-10 | 3.750 | 6.062 | EY 6.5-4-3491 |
| 2 | 1810 | 2.750-10 | 3.750 | 6.062 | EY 6.5-4-3491-1 |
| 2 | 1810 | 2.750-10 | 3.750 | 6.062 | EY 6.5-4-3561-1X |
| 2 | 1810 | 2.750-10 | 3.750 | 6.062 | EY 6.5-4-3561X |

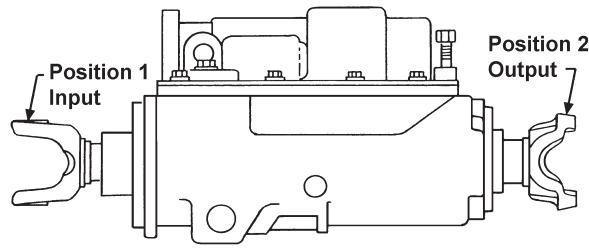
461

| | | | | | |
|---|--------|----------|-------|-------|------------------|
| 1 | SPL170 | 2.143-41 | 2.938 | 7.190 | EY 170-4-1861-1X |
|---|--------|----------|-------|-------|------------------|

*C/L to End of Hub for EY (End Yoke); Flange Face to End of Hub for CF (Companion Flange)

■ Hub machined for speedometer gear





| Pos | Series | Spline Data | Hub Dia | * to End of Hub | End Fitting Part Number |
|-----|--------|-------------|---------|-----------------|-------------------------|
|-----|--------|-------------|---------|-----------------|-------------------------|

AMO610-4

| | | | | | |
|---|--------|---------|-------|-------|-----------------|
| 1 | 1710 | 2.225-6 | 3.000 | 3.750 | CF 6-1-1731 |
| 1 | 1810 | 2.225-6 | 3.000 | 3.750 | CF 6.5-1-481 |
| 1 | SPL250 | 2.225-6 | 3.000 | 6.240 | EY 250-4-531-1 |
| 1 | SPL250 | 2.225-6 | 3.000 | 6.240 | EY 250-4-541-1X |
| 1 | 1610 | 2.225-6 | 3.000 | 5.719 | EY 5-4-4741 |
| 1 | 1610 | 2.225-6 | 3.000 | 5.719 | EY 5-4-4751X |
| 1 | 1710 | 2.225-6 | 3.000 | 5.312 | EY 6-4-3031 |
| 1 | 1710 | 2.225-6 | 3.000 | 5.438 | EY 6-4-3031-1 |
| 1 | 1710 | 2.225-6 | 3.000 | 5.438 | EY 6-4-3041-1X |
| 1 | 1710 | 2.225-6 | 3.000 | 5.312 | EY 6-4-3041X |
| 1 | 1760 | 2.225-6 | 3.000 | 6.000 | EY 6.3-4-171-1X |
| 1 | 1760 | 2.225-6 | 3.000 | 6.000 | EY 6.3-4-171X |
| 1 | 1760 | 2.225-6 | 3.000 | 6.000 | EY 6.3-4-51 |
| 1 | 1760 | 2.225-6 | 3.000 | 6.000 | EY 6.3-4-51-1 |
| 1 | 1810 | 2.225-6 | 3.000 | 6.000 | EY 6.5-4-1971 |
| 1 | 1810 | 2.225-6 | 3.000 | 6.000 | EY 6.5-4-1971-1 |
| 1 | 1810 | 2.225-6 | 3.000 | 6.000 | EY 6.5-4-2271X |
| 2 | 1710 | 2.225-6 | 3.000 | 3.750 | CF 6-1-1731 |
| 2 | 1810 | 2.225-6 | 3.000 | 3.750 | CF 6.5-1-481 |
| 2 | SPL250 | 2.225-6 | 3.000 | 6.240 | EY 250-4-531-1 |
| 2 | SPL250 | 2.225-6 | 3.000 | 6.240 | EY 250-4-541-1X |
| 2 | 1610 | 2.225-6 | 3.000 | 5.719 | EY 5-4-4741 |
| 2 | 1610 | 2.225-6 | 3.000 | 5.719 | EY 5-4-4751X |
| 2 | 1710 | 2.225-6 | 3.000 | 5.312 | EY 6-4-3031 |
| 2 | 1710 | 2.225-6 | 3.000 | 5.438 | EY 6-4-3031-1 |
| 2 | 1710 | 2.225-6 | 3.000 | 5.438 | EY 6-4-3041-1X |
| 2 | 1710 | 2.225-6 | 3.000 | 5.312 | EY 6-4-3041X |
| 2 | 1760 | 2.225-6 | 3.000 | 6.000 | EY 6.3-4-171-1X |
| 2 | 1760 | 2.225-6 | 3.000 | 6.000 | EY 6.3-4-171X |
| 2 | 1760 | 2.225-6 | 3.000 | 6.000 | EY 6.3-4-51 |
| 2 | 1760 | 2.225-6 | 3.000 | 6.000 | EY 6.3-4-51-1 |
| 2 | 1810 | 2.225-6 | 3.000 | 6.000 | EY 6.5-4-1971 |
| 2 | 1810 | 2.225-6 | 3.000 | 6.000 | EY 6.5-4-1971-1 |
| 2 | 1810 | 2.225-6 | 3.000 | 6.000 | EY 6.5-4-2271X |

AMO610-4L

| | | | | | |
|---|--------|---------|-------|-------|-----------------|
| 1 | SPL250 | 2.225-6 | 3.000 | 6.240 | EY 250-4-541-1X |
| 2 | SPL250 | 2.225-6 | 3.000 | 6.240 | EY 250-4-541-1X |

AMO610-6

| | | | | | |
|---|--------|---------|-------|-------|-----------------|
| 1 | 1710 | 2.225-6 | 3.000 | 3.750 | CF 6-1-1731 |
| 1 | 1810 | 2.225-6 | 3.000 | 3.750 | CF 6.5-1-481 |
| 1 | SPL250 | 2.225-6 | 3.000 | 6.240 | EY 250-4-531-1 |
| 1 | SPL250 | 2.225-6 | 3.000 | 6.240 | EY 250-4-541-1X |
| 1 | 1610 | 2.225-6 | 3.000 | 5.719 | EY 5-4-4741 |
| 1 | 1610 | 2.225-6 | 3.000 | 5.719 | EY 5-4-4751X |
| 1 | 1710 | 2.225-6 | 3.000 | 5.312 | EY 6-4-3031 |
| 1 | 1710 | 2.225-6 | 3.000 | 5.438 | EY 6-4-3031-1 |
| 1 | 1710 | 2.225-6 | 3.000 | 5.438 | EY 6-4-3041-1X |
| 1 | 1710 | 2.225-6 | 3.000 | 5.312 | EY 6-4-3041X |
| 1 | 1760 | 2.225-6 | 3.000 | 6.000 | EY 6.3-4-171-1X |

| Pos | Series | Spline Data | Hub Dia | * to End of Hub | End Fitting Part Number |
|-----|--------|-------------|---------|-----------------|-------------------------|
|-----|--------|-------------|---------|-----------------|-------------------------|

AMO610-6 (Continued)

| | | | | | |
|---|--------|---------|-------|-------|-----------------|
| 1 | 1760 | 2.225-6 | 3.000 | 6.000 | EY 6.3-4-171X |
| 1 | 1760 | 2.225-6 | 3.000 | 6.000 | EY 6.3-4-51 |
| 1 | 1760 | 2.225-6 | 3.000 | 6.000 | EY 6.3-4-51-1 |
| 1 | 1810 | 2.225-6 | 3.000 | 6.000 | EY 6.5-4-1971 |
| 1 | 1810 | 2.225-6 | 3.000 | 6.000 | EY 6.5-4-1971-1 |
| 1 | 1810 | 2.225-6 | 3.000 | 6.000 | EY 6.5-4-2271X |
| 2 | 1710 | 2.225-6 | 3.000 | 3.750 | CF 6-1-1731 |
| 2 | 1810 | 2.225-6 | 3.000 | 3.750 | CF 6.5-1-481 |
| 2 | SPL250 | 2.225-6 | 3.000 | 6.240 | EY 250-4-531-1 |
| 2 | SPL250 | 2.225-6 | 3.000 | 6.240 | EY 250-4-541-1X |
| 2 | 1610 | 2.225-6 | 3.000 | 5.719 | EY 5-4-4741 |
| 2 | 1610 | 2.225-6 | 3.000 | 5.719 | EY 5-4-4751X |
| 2 | 1710 | 2.225-6 | 3.000 | 5.312 | EY 6-4-3031 |
| 2 | 1710 | 2.225-6 | 3.000 | 5.438 | EY 6-4-3031-1 |
| 2 | 1710 | 2.225-6 | 3.000 | 5.438 | EY 6-4-3041-1X |
| 2 | 1710 | 2.225-6 | 3.000 | 5.312 | EY 6-4-3041X |
| 2 | 1760 | 2.225-6 | 3.000 | 6.000 | EY 6.3-4-171-1X |
| 2 | 1760 | 2.225-6 | 3.000 | 6.000 | EY 6.3-4-171X |
| 2 | 1760 | 2.225-6 | 3.000 | 6.000 | EY 6.3-4-51 |
| 2 | 1760 | 2.225-6 | 3.000 | 6.000 | EY 6.3-4-51-1 |
| 2 | 1810 | 2.225-6 | 3.000 | 6.000 | EY 6.5-4-1971 |
| 2 | 1810 | 2.225-6 | 3.000 | 6.000 | EY 6.5-4-1971-1 |
| 2 | 1810 | 2.225-6 | 3.000 | 6.000 | EY 6.5-4-2271X |

AMO1000-4

| | | | | | |
|---|--------|----------|-------|-------|---|
| 1 | SPL170 | 2.635-20 | 3.750 | 6.020 | EY 170-4-1101-1■ <i>Grnd.hub Dia. 3.000, if used on Spicer 1241 Aux. Trans.</i> |
| 1 | SPL170 | 2.635-20 | 3.750 | 6.020 | EY 170-4-1111-1X■ <i>Grnd.hub Dia. 3.000, if used on Spicer 1241 Aux. Trans.</i> |
| 1 | SPL250 | 2.635-20 | 3.750 | 6.270 | EY 250-4-511-1■ <i>Grnd.hub Dia. 3.000, if used on Spicer 1241 Aux. Trans.</i> |
| 1 | SPL250 | 2.635-20 | 3.750 | 6.270 | EY 250-4-521-1X■ <i>Grnd.hub Dia. 3.000, if used on Spicer 1241 Aux. Trans.</i> |
| 1 | 1710 | 2.635-20 | 3.750 | 5.188 | EY 6-4-5351■ |
| 1 | 1710 | 2.635-20 | 3.750 | 5.188 | EY 6-4-5351-1■ |
| 1 | 1710 | 2.635-20 | 3.750 | 5.188 | EY 6-4-7071-1X■ <i>Grnd.hub Dia. 3.000, if used on Spicer 1241 Aux. Trans.</i> |
| 1 | 1710 | 2.635-20 | 3.750 | 5.188 | EY 6-4-7071X■ <i>Grnd.hub Dia. 3.000, if used on Spicer 1241 Aux. Trans.</i> |
| 1 | 1760 | 2.635-20 | 3.750 | 5.562 | EY 6.3-4-41■ <i>Grnd.hub Dia. 3.000, if used on Spicer 1241 Aux. Trans.</i> |
| 1 | 1760 | 2.635-20 | 3.750 | 5.562 | EY 6.3-4-41-1■ <i>Grnd.hub Dia. 3.000, if used on Spicer 1241 Aux. Trans.</i> |
| 1 | 1760 | 2.635-20 | 3.750 | 5.562 | EY 6.3-4-871-1X■ <i>Grnd.hub Dia. 3.000, if used on Spicer 1241 Aux. Trans.</i> |
| 1 | 1760 | 2.635-20 | 3.750 | 5.562 | EY 6.3-4-871X■ <i>Grnd.hub Dia. 3.000, if used on Spicer 1241 Aux. Trans.</i> |
| 1 | 1810 | 2.635-20 | 3.750 | 5.562 | EY 6.5-4-3021■ <i>Grnd.hub Dia. 3.000, if used on Spicer 1241 Aux. Trans.</i> |
| 1 | 1810 | 2.635-20 | 3.750 | 5.562 | EY 6.5-4-3021-1■ <i>Grnd.hub Dia. 3.000, if used on Spicer 1241 Aux. Trans.</i> |

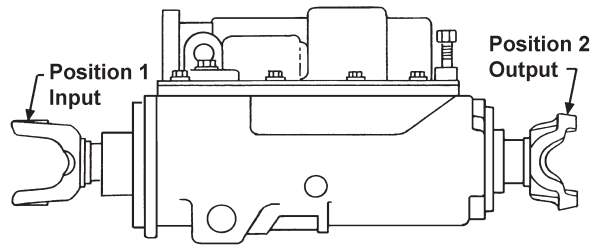
Continued on next page

*C/L to End of Hub for EY (End Yoke); Flange Face to End of Hub for CF (Companion Flange)

■ Hub machined for speedometer gear



Important: See Safety Information in General Information Section (J300P-GI)



| Pos | Series | Spline Data | Hub Dia | * to End of Hub | End Fitting Part Number |
|-----|--------|-------------|---------|-----------------|-------------------------|
|-----|--------|-------------|---------|-----------------|-------------------------|

AMO1000-4 (Continued)

| | | | | | |
|---|--------|----------|-------|-------|---|
| 1 | 1810 | 2.635-20 | 3.750 | 5.562 | EY 6.5-4-3541-1X■ <i>Grnd.hub Dia. 3.000, if used on Spicer 1241 Aux. Trans.</i> |
| 1 | 1810 | 2.635-20 | 3.750 | 5.562 | EY 6.5-4-3541X■ <i>Grnd.hub Dia. 3.000, if used on Spicer 1241 Aux. Trans.</i> |
| 1 | 1880 | 2.625-20 | 3.000 | 6.270 | EY 8-4-1231 |
| 2 | 1810 | 2.750-10 | 4.000 | 3.750 | CF 6.5-1-1871■ |
| 2 | SPL170 | 2.750-10 | 4.000 | 5.800 | EY 170-4-1141-1 |
| 2 | SPL250 | 2.750-10 | 4.000 | 6.370 | EY 250-4-551-1■ |
| 2 | SPL350 | 2.750-10 | 3.375 | 7.087 | EY 350-4-121-1 |
| 2 | 1710 | 2.750-10 | 4.000 | 5.312 | EY 6-4-4651■ |
| 2 | 1710 | 2.750-10 | 4.000 | 5.312 | EY 6-4-4651-1■ |
| 2 | 1760 | 2.750-10 | 4.000 | 6.000 | EY 6.3-4-61■ |
| 2 | 1760 | 2.750-10 | 4.000 | 6.000 | EY 6.3-4-61-1■ |
| 2 | 1810 | 2.750-10 | 4.000 | 6.000 | EY 6.5-4-2171■ |
| 2 | 1810 | 2.750-10 | 4.000 | 6.000 | EY 6.5-4-2171-1■ |
| 2 | 1880 | 2.750-10 | 3.375 | 6.370 | EY 8-4-1241 |

No. 3 woodruff keyway in hub; Snap ring groove in hub

APO1000-4

| | | | | | |
|---|--------|----------|-------|-------|---|
| 1 | SPL170 | 2.635-20 | 3.750 | 6.020 | EY 170-4-1101-1■ <i>Grnd.hub Dia. 3.000, if used on Spicer 1241 Aux. Trans.</i> |
| 1 | SPL170 | 2.635-20 | 3.750 | 6.020 | EY 170-4-1111-1X■ <i>Grnd.hub Dia. 3.000, if used on Spicer 1241 Aux. Trans.</i> |
| 1 | SPL250 | 2.635-20 | 3.750 | 6.270 | EY 250-4-511-1■ <i>Grnd.hub Dia. 3.000, if used on Spicer 1241 Aux. Trans.</i> |
| 1 | SPL250 | 2.635-20 | 3.750 | 6.270 | EY 250-4-521-1X■ <i>Grnd.hub Dia. 3.000, if used on Spicer 1241 Aux. Trans.</i> |
| 1 | 1710 | 2.635-20 | 3.750 | 5.188 | EY 6-4-5351■ |
| 1 | 1710 | 2.635-20 | 3.750 | 5.188 | EY 6-4-5351-1■ |
| 1 | 1710 | 2.635-20 | 3.750 | 5.188 | EY 6-4-7071-1X■ <i>Grnd.hub Dia. 3.000, if used on Spicer 1241 Aux. Trans.</i> |
| 1 | 1710 | 2.635-20 | 3.750 | 5.188 | EY 6-4-7071X■ <i>Grnd.hub Dia. 3.000, if used on Spicer 1241 Aux. Trans.</i> |
| 1 | 1760 | 2.635-20 | 3.750 | 5.562 | EY 6.3-4-41■ <i>Grnd.hub Dia. 3.000, if used on Spicer 1241 Aux. Trans.</i> |
| 1 | 1760 | 2.635-20 | 3.750 | 5.562 | EY 6.3-4-41-1■ <i>Grnd.hub Dia. 3.000, if used on Spicer 1241 Aux. Trans.</i> |
| 1 | 1760 | 2.635-20 | 3.750 | 5.562 | EY 6.3-4-871-1X■ <i>Grnd.hub Dia. 3.000, if used on Spicer 1241 Aux. Trans.</i> |
| 1 | 1760 | 2.635-20 | 3.750 | 5.562 | EY 6.3-4-871X■ <i>Grnd.hub Dia. 3.000, if used on Spicer 1241 Aux. Trans.</i> |
| 1 | 1810 | 2.635-20 | 3.750 | 5.562 | EY 6.5-4-3021■ <i>Grnd.hub Dia. 3.000, if used on Spicer 1241 Aux. Trans.</i> |
| 1 | 1810 | 2.635-20 | 3.750 | 5.562 | EY 6.5-4-3021-1■ <i>Grnd.hub Dia. 3.000, if used on Spicer 1241 Aux. Trans.</i> |
| 1 | 1810 | 2.635-20 | 3.750 | 5.562 | EY 6.5-4-3541-1X■ <i>Grnd.hub Dia. 3.000, if used on Spicer 1241 Aux. Trans.</i> |
| 1 | 1810 | 2.635-20 | 3.750 | 5.562 | EY 6.5-4-3541X■ <i>Grnd.hub Dia. 3.000, if used on Spicer 1241 Aux. Trans.</i> |
| 2 | 1810 | 2.750-10 | 4.000 | 3.750 | CF 6.5-1-1871■ |
| 2 | SPL170 | 2.750-10 | 4.000 | 5.800 | EY 170-4-1141-1 |
| 2 | SPL250 | 2.750-10 | 4.000 | 6.370 | EY 250-4-551-1■ |
| 2 | SPL350 | 2.750-10 | 3.375 | 7.087 | EY 350-4-121-1 |

| Pos | Series | Spline Data | Hub Dia | * to End of Hub | End Fitting Part Number |
|-----|--------|-------------|---------|-----------------|-------------------------|
|-----|--------|-------------|---------|-----------------|-------------------------|

APO1000-4 (Continued)

| | | | | | |
|---|------|----------|-------|-------|------------------|
| 2 | 1710 | 2.750-10 | 4.000 | 5.312 | EY 6-4-4651■ |
| 2 | 1710 | 2.750-10 | 4.000 | 5.312 | EY 6-4-4651-1■ |
| 2 | 1760 | 2.750-10 | 4.000 | 6.000 | EY 6.3-4-61■ |
| 2 | 1760 | 2.750-10 | 4.000 | 6.000 | EY 6.3-4-61-1■ |
| 2 | 1810 | 2.750-10 | 4.000 | 6.000 | EY 6.5-4-2171■ |
| 2 | 1810 | 2.750-10 | 4.000 | 6.000 | EY 6.5-4-2171-1■ |

ATO610-4

| | | | | | |
|---|--------|---------|-------|-------|-----------------|
| 1 | 1710 | 2.225-6 | 3.000 | 3.750 | CF 6-1-1731 |
| 1 | 1810 | 2.225-6 | 3.000 | 3.750 | CF 6.5-1-481 |
| 1 | SPL250 | 2.225-6 | 3.000 | 6.240 | EY 250-4-531-1 |
| 1 | SPL250 | 2.225-6 | 3.000 | 6.240 | EY 250-4-541-1X |
| 1 | 1610 | 2.225-6 | 3.000 | 5.719 | EY 5-4-4741 |
| 1 | 1610 | 2.225-6 | 3.000 | 5.719 | EY 5-4-4751X |
| 1 | 1710 | 2.225-6 | 3.000 | 5.312 | EY 6-4-3031 |
| 1 | 1710 | 2.225-6 | 3.000 | 5.438 | EY 6-4-3031-1 |
| 1 | 1710 | 2.225-6 | 3.000 | 5.438 | EY 6-4-3041-1X |
| 1 | 1710 | 2.225-6 | 3.000 | 5.312 | EY 6-4-3041X |
| 1 | 1760 | 2.225-6 | 3.000 | 6.000 | EY 6.3-4-171-1X |
| 1 | 1760 | 2.225-6 | 3.000 | 6.000 | EY 6.3-4-171X |
| 1 | 1760 | 2.225-6 | 3.000 | 6.000 | EY 6.3-4-51 |
| 1 | 1760 | 2.225-6 | 3.000 | 6.000 | EY 6.3-4-51-1 |
| 1 | 1810 | 2.225-6 | 3.000 | 6.000 | EY 6.5-4-1971 |
| 1 | 1810 | 2.225-6 | 3.000 | 6.000 | EY 6.5-4-1971-1 |
| 1 | 1810 | 2.225-6 | 3.000 | 6.000 | EY 6.5-4-2271X |
| 2 | 1710 | 2.225-6 | 3.000 | 3.750 | CF 6-1-1731 |
| 2 | 1810 | 2.225-6 | 3.000 | 3.750 | CF 6.5-1-481 |
| 2 | SPL250 | 2.225-6 | 3.000 | 6.240 | EY 250-4-531-1 |
| 2 | SPL250 | 2.225-6 | 3.000 | 6.240 | EY 250-4-541-1X |
| 2 | 1610 | 2.225-6 | 3.000 | 5.719 | EY 5-4-4741 |
| 2 | 1610 | 2.225-6 | 3.000 | 5.719 | EY 5-4-4751X |
| 2 | 1710 | 2.225-6 | 3.000 | 5.312 | EY 6-4-3031 |
| 2 | 1710 | 2.225-6 | 3.000 | 5.438 | EY 6-4-3031-1 |
| 2 | 1710 | 2.225-6 | 3.000 | 5.438 | EY 6-4-3041-1X |
| 2 | 1710 | 2.225-6 | 3.000 | 5.312 | EY 6-4-3041X |
| 2 | 1760 | 2.225-6 | 3.000 | 6.000 | EY 6.3-4-171-1X |
| 2 | 1760 | 2.225-6 | 3.000 | 6.000 | EY 6.3-4-171X |
| 2 | 1760 | 2.225-6 | 3.000 | 6.000 | EY 6.3-4-51 |
| 2 | 1760 | 2.225-6 | 3.000 | 6.000 | EY 6.3-4-51-1 |
| 2 | 1810 | 2.225-6 | 3.000 | 6.000 | EY 6.5-4-1971 |
| 2 | 1810 | 2.225-6 | 3.000 | 6.000 | EY 6.5-4-1971-1 |
| 2 | 1810 | 2.225-6 | 3.000 | 6.000 | EY 6.5-4-2271X |

ATO610-4L

| | | | | | |
|---|--------|---------|-------|-------|-----------------|
| 1 | SPL250 | 2.225-6 | 3.000 | 6.240 | EY 250-4-541-1X |
| 2 | SPL250 | 2.225-6 | 3.000 | 6.240 | EY 250-4-541-1X |

ATO1000-4

| | | | | | |
|---|--------|----------|-------|-------|---|
| 1 | SPL170 | 2.635-20 | 3.750 | 6.020 | EY 170-4-1101-1■ <i>Grnd.hub Dia. 3.000, if used on Spicer 1241 Aux. Trans.</i> |
| 1 | SPL170 | 2.635-20 | 3.750 | 6.020 | EY 170-4-1111-1X■ <i>Grnd.hub Dia. 3.000, if used on Spicer 1241 Aux. Trans.</i> |

*C/L to End of Hub for EY (End Yoke); Flange Face to End of Hub for CF (Companion Flange)

■ Hub machined for speedometer gear



| Pos | Series | Spline Data | Hub Dia | * to End of Hub | End Fitting Part Number |
|------------------------------|--------|-------------|---------|-----------------|---|
| ATO1000-4 (Continued) | | | | | |
| 1 | SPL250 | 2.635-20 | 3.750 | 6.270 | EY 250-4-511-1■ <i>Grnd.hub Dia. 3.000, if used on Spicer 1241 Aux. Trans.</i> |
| 1 | SPL250 | 2.635-20 | 3.750 | 6.270 | EY 250-4-521-1X■ <i>Grnd.hub Dia. 3.000, if used on Spicer 1241 Aux. Trans.</i> |
| 1 | 1710 | 2.635-20 | 3.750 | 5.188 | EY 6-4-5351■ |
| 1 | 1710 | 2.635-20 | 3.750 | 5.188 | EY 6-4-5351-1■ |
| 1 | 1710 | 2.635-20 | 3.750 | 5.188 | EY 6-4-7071-1X <i>Grnd.hub Dia. 3.000, if used on Spicer 1241 Aux. Trans.■</i> |
| 1 | 1710 | 2.635-20 | 3.750 | 5.188 | EY 6-4-7071X <i>Grnd.hub Dia. 3.000, if used on Spicer 1241 Aux. Trans.■</i> |
| 1 | 1760 | 2.635-20 | 3.750 | 5.562 | EY 6.3-4-41■ <i>Grnd.hub Dia. 3.000, if used on Spicer 1241 Aux. Trans.</i> |
| 1 | 1760 | 2.635-20 | 3.750 | 5.562 | EY 6.3-4-41-1■ <i>Grnd.hub Dia. 3.000, if used on Spicer 1241 Aux. Trans.</i> |
| 1 | 1760 | 2.635-20 | 3.750 | 5.562 | EY 6.3-4-871-1X■ <i>Grnd.hub Dia. 3.000, if used on Spicer 1241 Aux. Trans.</i> |
| 1 | 1760 | 2.635-20 | 3.750 | 5.562 | EY 6.3-4-871X■ <i>Grnd.hub Dia. 3.000, if used on Spicer 1241 Aux. Trans.</i> |
| 1 | 1810 | 2.635-20 | 3.750 | 5.562 | EY 6.5-4-3021■ <i>Grnd.hub Dia. 3.000, if used on Spicer 1241 Aux. Trans.</i> |
| 1 | 1810 | 2.635-20 | 3.750 | 5.562 | EY 6.5-4-3021-1■ <i>Grnd.hub Dia. 3.000, if used on Spicer 1241 Aux. Trans.</i> |
| 1 | 1810 | 2.635-20 | 3.750 | 5.562 | EY 6.5-4-3541-1X■ <i>Grnd.hub Dia. 3.000, if used on Spicer 1241 Aux. Trans.</i> |
| 1 | 1810 | 2.635-20 | 3.750 | 5.562 | EY 6.5-4-3541X■ <i>Grnd.hub Dia. 3.000, if used on Spicer 1241 Aux. Trans.</i> |
| 2 | 1810 | 2.750-10 | 4.000 | 3.750 | CF 6.5-1-1871■ |
| 2 | SPL170 | 2.750-10 | 4.000 | 5.800 | EY 170-4-1141-1 |
| 2 | SPL250 | 2.750-10 | 4.000 | 6.370 | EY 250-4-551-1■ |
| 2 | SPL350 | 2.750-10 | 3.375 | 7.087 | EY 350-4-121-1 |
| 2 | 1710 | 2.750-10 | 4.000 | 5.312 | EY 6-4-4651■ |
| 2 | 1710 | 2.750-10 | 4.000 | 5.312 | EY 6-4-4651-1■ |
| 2 | 1760 | 2.750-10 | 4.000 | 6.000 | EY 6.3-4-61■ |
| 2 | 1760 | 2.750-10 | 4.000 | 6.000 | EY 6.3-4-61-1■ |
| 2 | 1810 | 2.750-10 | 4.000 | 6.000 | EY 6.5-4-2171■ |
| 2 | 1810 | 2.750-10 | 4.000 | 6.000 | EY 6.5-4-2171-1■ |
| P1241-C, P1241-D | | | | | |
| 1 | 1710 | 2.225-6 | 3.000 | 3.750 | CF 6-1-1731 |
| 1 | 1810 | 2.225-6 | 3.000 | 3.750 | CF 6.5-1-481 |
| 1 | 1710 | 2.225-6 | 3.000 | 5.312 | EY 6-4-3041X |
| 1 | 1760 | 2.225-6 | 3.000 | 6.000 | EY 6.3-4-171-1X |
| 1 | 1760 | 2.225-6 | 3.000 | 6.000 | EY 6.3-4-171X |
| 1 | 1810 | 2.225-6 | 3.000 | 6.000 | EY 6.5-4-2271X |
| 2 | 1810 | 2.750-10 | 4.000 | 3.750 | CF 6.5-1-1871■ |
| 2 | 1710 | 2.750-10 | 4.000 | 5.312 | EY 6-4-4651■ |
| 2 | 1710 | 2.750-10 | 4.000 | 5.312 | EY 6-4-4651-1■ |
| 2 | 1760 | 2.750-10 | 4.000 | 6.000 | EY 6.3-4-61■ |
| 2 | 1760 | 2.750-10 | 4.000 | 6.000 | EY 6.3-4-61-1■ |
| 2 | 1810 | 2.750-10 | 4.000 | 6.000 | EY 6.5-4-2171■ |
| 2 | 1810 | 2.750-10 | 4.000 | 6.000 | EY 6.5-4-2171-1■ |
| RP8341D, R8341-D | | | | | |
| 1 | 1610 | 2.225-6 | 3.000 | 3.875 | CF 5-1-2541 |
| 1 | 1710 | 2.225-6 | 3.000 | 4.469 | CF 6-1-1481 |
| 1 | 1710 | 2.225-6 | 3.000 | 3.750 | CF 6-1-1731 |
| 1 | 1810 | 2.225-6 | 3.000 | 3.750 | CF 6.5-1-481 |
| 1 | 1610 | 2.225-6 | 3.000 | 5.719 | EY 5-4-4751X |
| 1 | 1710 | 2.225-6 | 3.000 | 5.312 | EY 6-4-3041X |
| 1 | 1760 | 2.225-6 | 3.000 | 6.000 | EY 6.3-4-171-1X |
| 1 | 1760 | 2.225-6 | 3.000 | 6.000 | EY 6.3-4-171X |
| 1 | 1810 | 2.225-6 | 3.000 | 6.000 | EY 6.5-4-2271X |

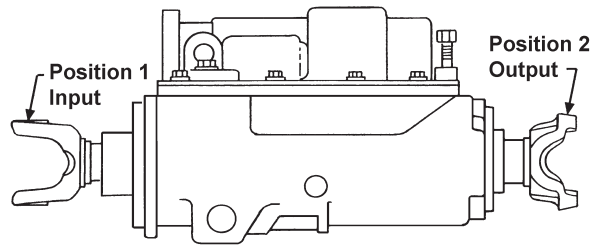
| Pos | Series | Spline Data | Hub Dia | * to End of Hub | End Fitting Part Number |
|-------------------------------------|-----------|-------------|---------|-----------------|--|
| RP8341D, R8341-D (Continued) | | | | | |
| 2 | 1610 | 2.225-6 | 3.000 | 3.875 | CF 5-1-2541 |
| 2 | 1710 | 2.225-6 | 3.000 | 4.469 | CF 6-1-1481 |
| 2 | 1710 | 2.225-6 | 3.000 | 3.750 | CF 6-1-1731 |
| 2 | 1810 | 2.225-6 | 3.000 | 3.750 | CF 6.5-1-481 |
| 2 | 1610 | 2.225-6 | 3.000 | 5.719 | EY 5-4-4751X |
| 2 | 1710 | 2.225-6 | 3.000 | 5.312 | EY 6-4-3041X |
| 2 | 1760 | 2.225-6 | 3.000 | 6.000 | EY 6.3-4-171-1X |
| 2 | 1760 | 2.225-6 | 3.000 | 6.000 | EY 6.3-4-171X |
| 2 | 1810 | 2.225-6 | 3.000 | 6.000 | EY 6.5-4-2271X |
| 1241-C, 1241-D | | | | | |
| 1 | 1710 | 2.225-6 | 3.000 | 3.750 | CF 6-1-1731 |
| 1 | 1810 | 2.225-6 | 3.000 | 3.750 | CF 6.5-1-481 |
| 1 | 1710 | 2.225-6 | 3.000 | 5.312 | EY 6-4-3041X |
| 1 | 1760 | 2.225-6 | 3.000 | 6.000 | EY 6.3-4-171-1X |
| 1 | 1760 | 2.225-6 | 3.000 | 6.000 | EY 6.3-4-171X |
| 1 | 1760 | 2.225-6 | 3.000 | 6.000 | EY 6.3-4-51 |
| 1 | 1760 | 2.225-6 | 3.000 | 6.000 | EY 6.3-4-51-1 |
| 1 | 1810 | 2.225-6 | 3.000 | 6.000 | EY 6.5-4-2271X |
| 2 | 1810 | 2.750-10 | 4.000 | 3.750 | CF 6.5-1-1871■ |
| 2 | 1710 | 2.750-10 | 4.000 | 5.312 | EY 6-4-4651■ |
| 2 | 1710 | 2.750-10 | 4.000 | 5.312 | EY 6-4-4651-1■ |
| 2 | 1760 | 2.750-10 | 4.000 | 6.000 | EY 6.3-4-61■ |
| 2 | 1760 | 2.750-10 | 4.000 | 6.000 | EY 6.3-4-61-1■ |
| 2 | 1810 | 2.750-10 | 4.000 | 6.000 | EY 6.5-4-2171■ |
| 2 | 1810 | 2.750-10 | 4.000 | 6.000 | EY 6.5-4-2171-1■ |
| 5831 | | | | | |
| 1 | 1480/1550 | 1.750-10 | 2.500 | 2.875 | CF 4-1-3331X <i>Slinger not sold separately</i> |
| 2 | 1480/1550 | 1.750-10 | 2.500 | 2.875 | CF 4-1-3331X <i>Slinger not sold separately</i> |
| 6041, 6231 | | | | | |
| 1 | 1480/1550 | 1.961-6 | 2.750 | 3.625 | CF 4-1-601 |
| 1 | 1610 | 1.960-6 | 2.750 | 5.000 | EY 5-4-2031X |
| 2 | 1480/1550 | 1.961-6 | 2.750 | 3.625 | CF 4-1-601 |
| 2 | 1610 | 1.960-6 | 2.750 | 5.000 | EY 5-4-2031X |
| 7041 | | | | | |
| 1 | 1480/1550 | 1.961-6 | 2.750 | 3.625 | CF 4-1-601 |
| 1 | 1610 | 1.960-6 | 2.750 | 5.000 | EY 5-4-2031X |
| 2 | 1610 | 2.225-6 | 3.000 | 3.875 | CF 5-1-2541 |
| 2 | 1650/1710 | 2.225-6 | 3.000 | 3.750 | CF 6-1-1731 |
| 2 | 1710 | 2.225-6 | 3.000 | 4.469 | CF 6-1-1481 |
| 2 | 1810 | 2.225-6 | 3.000 | 3.750 | CF 6.5-1-481 |
| 2 | SPL170 | 2.225-6 | 3.000 | 6.030 | EY 170-4-1441-1 |
| 2 | SPL250 | 2.225-6 | 3.000 | 6.250 | EY 250-4-811-1 |
| 2 | 1610 | 2.225-6 | 3.000 | 5.719 | EY 5-4-4751X |
| 2 | 1710 | 2.225-6 | 3.000 | 5.312 | EY 6-4-3041X |
| 2 | 1810 | 2.225-6 | 3.000 | 6.000 | EY 6.5-4-1971 |
| 2 | 1810 | 2.225-6 | 3.000 | 6.000 | EY 6.5-4-1971-1 |
| 2 | 1810 | 2.225-6 | 3.000 | 6.000 | EY 6.5-4-2271X |
| 2 | 1810 | 2.225-6 | 3.000 | 6.000 | EY 6.5-4-2831X |
| 7231 | | | | | |
| 1 | 1480/1550 | 1.961-6 | 2.750 | 3.625 | CF 4-1-601 |
| 1 | 1610 | 1.960-6 | 2.750 | 5.000 | EY 5-4-2031X |
| 2 | 1480/1550 | 1.961-6 | 2.750 | 3.625 | CF 4-1-601 |
| 2 | 1610 | 1.960-6 | 2.750 | 5.000 | EY 5-4-2031X |

*C/L to End of Hub for EY (End Yoke); Flange Face to End of Hub for CF (Companion Flange)

■ Hub machined for speedometer gear



Important: See Safety Information in General Information Section (J300P-GI)



| Pos | Series | Spline Data | Hub Dia | * to End of Hub | End Fitting Part Number |
|-----|--------|-------------|---------|-----------------|-------------------------|
|-----|--------|-------------|---------|-----------------|-------------------------|

| 8031 | | | | | |
|-------------|-----------|---------|-------|-------|-----------------|
| 1 | 1610 | 2.225-6 | 3.000 | 3.875 | CF 5-1-2541 |
| 1 | 1650/1710 | 2.225-6 | 3.000 | 4.469 | CF 6-1-1481 |
| 1 | 1650/1710 | 2.225-6 | 3.000 | 3.750 | CF 6-1-1731 |
| 1 | 1810 | 2.225-6 | 3.000 | 3.750 | CF 6.5-1-481 |
| 1 | 1610 | 2.225-6 | 3.000 | 5.719 | EY 5-4-4751X |
| 1 | 1710 | 2.225-6 | 3.000 | 5.312 | EY 6-4-3041X |
| 1 | 1760 | 2.225-6 | 3.000 | 6.000 | EY 6.3-4-171-1X |
| 1 | 1760 | 2.225-6 | 3.000 | 6.000 | EY 6.3-4-171X |
| 1 | 1810 | 2.225-6 | 3.000 | 6.000 | EY 6.5-4-2271X |
| 2 | 1610 | 2.225-6 | 3.000 | 3.875 | CF 5-1-2541 |
| 2 | 1650/1710 | 2.225-6 | 3.000 | 4.469 | CF 6-1-1481 |
| 2 | 1650/1710 | 2.225-6 | 3.000 | 3.750 | CF 6-1-1731 |
| 2 | 1810 | 2.225-6 | 3.000 | 3.750 | CF 6.5-1-481 |
| 2 | 1610 | 2.225-6 | 3.000 | 5.719 | EY 5-4-4751X |
| 2 | 1710 | 2.225-6 | 3.000 | 5.312 | EY 6-4-3041X |
| 2 | 1760 | 2.225-6 | 3.000 | 6.000 | EY 6.3-4-171-1X |
| 2 | 1760 | 2.225-6 | 3.000 | 6.000 | EY 6.3-4-171X |
| 2 | 1810 | 2.225-6 | 3.000 | 6.000 | EY 6.5-4-2271X |

| 8035 | | | | | |
|-------------|-----------|---------|-------|-------|-----------------|
| 1 | 1610 | 2.225-6 | 3.000 | 3.875 | CF 5-1-2541 |
| 1 | 1650/1710 | 2.225-6 | 3.000 | 4.469 | CF 6-1-1481 |
| 1 | 1810 | 2.225-6 | 3.000 | 3.750 | CF 6.5-1-481 |
| 1 | 1610 | 2.225-6 | 3.000 | 5.719 | EY 5-4-4751X |
| 1 | 1710 | 2.225-6 | 3.000 | 5.312 | EY 6-4-3041X |
| 1 | 1760 | 2.225-6 | 3.000 | 6.000 | EY 6.3-4-171-1X |
| 1 | 1760 | 2.225-6 | 3.000 | 6.000 | EY 6.3-4-171X |
| 1 | 1810 | 2.225-6 | 3.000 | 6.000 | EY 6.5-4-2271X |
| 2 | 1610 | 2.225-6 | 3.000 | 3.875 | CF 5-1-2541 |
| 2 | 1650/1710 | 2.225-6 | 3.000 | 4.469 | CF 6-1-1481 |
| 2 | 1810 | 2.225-6 | 3.000 | 3.750 | CF 6.5-1-481 |
| 2 | 1610 | 2.225-6 | 3.000 | 5.719 | EY 5-4-4751X |
| 2 | 1710 | 2.225-6 | 3.000 | 5.312 | EY 6-4-3041X |
| 2 | 1760 | 2.225-6 | 3.000 | 6.000 | EY 6.3-4-171-1X |
| 2 | 1760 | 2.225-6 | 3.000 | 6.000 | EY 6.3-4-171X |
| 2 | 1810 | 2.225-6 | 3.000 | 6.000 | EY 6.5-4-2271X |

| 8341 | | | | | |
|-------------|-----------|---------|-------|-------|-----------------|
| 1 | 1610 | 2.225-6 | 3.000 | 3.875 | CF 5-1-2541 |
| 1 | 1650/1710 | 2.225-6 | 3.000 | 4.469 | CF 6-1-1481 |
| 1 | 1650/1710 | 2.225-6 | 3.000 | 3.750 | CF 6-1-1731 |
| 1 | 1810 | 2.225-6 | 3.000 | 3.750 | CF 6.5-1-481 |
| 1 | 1610 | 2.225-6 | 3.000 | 5.719 | EY 5-4-4751X |
| 1 | 1710 | 2.225-6 | 3.000 | 5.312 | EY 6-4-3041X |
| 1 | 1760 | 2.225-6 | 3.000 | 6.000 | EY 6.3-4-171-1X |
| 1 | 1760 | 2.225-6 | 3.000 | 6.000 | EY 6.3-4-171X |
| 1 | 1810 | 2.225-6 | 3.000 | 6.000 | EY 6.5-4-2271X |
| 2 | 1610 | 2.225-6 | 3.000 | 3.875 | CF 5-1-2541 |
| 2 | 1650/1710 | 2.225-6 | 3.000 | 4.469 | CF 6-1-1481 |
| 2 | 1650/1710 | 2.225-6 | 3.000 | 3.750 | CF 6-1-1731 |
| 2 | 1810 | 2.225-6 | 3.000 | 3.750 | CF 6.5-1-481 |

| Pos | Series | Spline Data | Hub Dia | * to End of Hub | End Fitting Part Number |
|-----|--------|-------------|---------|-----------------|-------------------------|
|-----|--------|-------------|---------|-----------------|-------------------------|

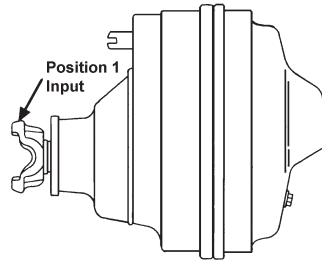
| 8341 (Continued) | | | | | |
|-------------------------|--------|---------|-------|-------|-----------------|
| 2 | SPL170 | 2.225-6 | 3.000 | 6.030 | EY 170-4-1441-1 |
| 2 | SPL250 | 2.225-6 | 3.000 | 6.250 | EY 250-4-811-1 |
| 2 | 1610 | 2.225-6 | 3.000 | 5.719 | EY 5-4-4751X |
| 2 | 1710 | 2.225-6 | 3.000 | 5.312 | EY 6-4-3041X |
| 2 | 1760 | 2.225-6 | 3.000 | 6.000 | EY 6.3-4-171-1X |
| 2 | 1760 | 2.225-6 | 3.000 | 6.000 | EY 6.3-4-171X |
| 2 | 1810 | 2.225-6 | 3.000 | 6.000 | EY 6.5-4-1971 |
| 2 | 1810 | 2.225-6 | 3.000 | 6.000 | EY 6.5-4-1971-1 |
| 2 | 1810 | 2.225-6 | 3.000 | 6.000 | EY 6.5-4-2271X |
| 2 | 1810 | 2.225-6 | 3.000 | 6.000 | EY 6.5-4-2831X |

| 8345 | | | | | |
|-------------|-----------|---------|-------|-------|-----------------|
| 1 | 1610 | 2.225-6 | 3.000 | 3.875 | CF 5-1-2541 |
| 1 | 1650/1710 | 2.225-6 | 3.000 | 4.469 | CF 6-1-1481 |
| 1 | 1650/1710 | 2.225-6 | 3.000 | 3.750 | CF 6-1-1731 |
| 1 | 1810 | 2.225-6 | 3.000 | 3.750 | CF 6.5-1-481 |
| 1 | 1610 | 2.225-6 | 3.000 | 5.719 | EY 5-4-4751X |
| 1 | 1710 | 2.225-6 | 3.000 | 5.312 | EY 6-4-3041X |
| 1 | 1760 | 2.225-6 | 3.000 | 6.000 | EY 6.3-4-171-1X |
| 1 | 1760 | 2.225-6 | 3.000 | 6.000 | EY 6.3-4-171X |
| 1 | 1810 | 2.225-6 | 3.000 | 6.000 | EY 6.5-4-2271X |
| 2 | 1610 | 2.225-6 | 3.000 | 3.875 | CF 5-1-2541 |
| 2 | 1650/1710 | 2.225-6 | 3.000 | 4.469 | CF 6-1-1481 |
| 2 | 1650/1710 | 2.225-6 | 3.000 | 3.750 | CF 6-1-1731 |
| 2 | 1810 | 2.225-6 | 3.000 | 3.750 | CF 6.5-1-481 |
| 2 | 1610 | 2.225-6 | 3.000 | 5.719 | EY 5-4-4751X |
| 2 | 1710 | 2.225-6 | 3.000 | 5.312 | EY 6-4-3041X |
| 2 | 1760 | 2.225-6 | 3.000 | 6.000 | EY 6.3-4-171-1X |
| 2 | 1760 | 2.225-6 | 3.000 | 6.000 | EY 6.3-4-171X |

*C/L to End of Hub for EY (End Yoke); Flange Face to End of Hub for CF (Companion Flange)

■ Hub machined for speedometer gear





| Pos | Series | Spline Data | Hub Dia | * to End of Hub | End Fitting Part Number |
|-----|--------|-------------|---------|-----------------|-------------------------|
|-----|--------|-------------|---------|-----------------|-------------------------|

AXLE ALLIANCE CORP.

| | | | | | |
|----------|--------|----------|-------|-------|------------------------------------|
| 2 | | | | | |
| 1 | SPL100 | 2.173-26 | 3.068 | 4.330 | EY 100-4-1471-1X |
| 4 | | | | | |
| 1 | SPL100 | 2.143-41 | 3.000 | 4.310 | EY 100-4-02875-1X |
| 1 | SPL100 | 2.143-41 | 3.000 | 4.310 | EY 5002874 |
| 1 | SPL100 | 2.143-41 | 3.000 | 4.310 | EY 5002875 |
| 1 | 1610 | 2.143-41 | 3.000 | 4.680 | EY 5002873 |
| 1 | 1710 | 2.143-41 | 3.000 | 5.030 | EY 5002878 |
| 1 | 1710 | 2.143-41 | 3.000 | 5.030 | EY 5002879 |
| 1 | 1710 | 2.143-41 | 3.000 | 5.380 | EY 6-4-02877-1X High angle yoke |

CLARK

| FDS-12050 | | | | | |
|-----------|------|----------|-------|-------|---------------|
| 1 | 1710 | 2.005-15 | 2.875 | 5.250 | EY 6.5-4-2911 |
| 1 | 1710 | 2.005-15 | 2.875 | 5.375 | EY 6-4-3001 |

| 1614, 1615, 1618, 1619, 1790-A, 1791-A, 1792, 1793, 1862 | | | | | |
|--|-----------|----------|-------|-------|---|
| 1 | 1350/1410 | 1.750-10 | 2.625 | 3.125 | CF 3-1-1521 |
| 1 | 1480/1550 | 1.750-10 | 2.625 | 2.875 | CF 4-1-3101 |
| 1 | 1610 | 1.750-10 | 2.625 | 2.875 | CF 5-1-811 |
| 1 | 1410 | 1.750-10 | 2.625 | 4.250 | EY 3-4-2511-1 .250 deep spline chamfer |
| 1 | 1480 | 1.750-10 | 2.625 | 4.469 | EY 3-4-3121-1 .250 deep spline chamfer; C'bore depth is chamfered |
| 1 | 1480 | 1.750-10 | 2.625 | 4.281 | EY 3-4-5791-1X .250 deep spline chamfer; C'bore depth is chamfered |
| 1 | 1550 | 1.750-10 | 2.625 | 4.672 | EY 4-4-3581-1X .250 deep spline chamfer |
| 1 | 1610 | 1.750-10 | 2.625 | 4.125 | EY 5-4-781 |
| 1 | 1650 | 1.750-10 | 2.625 | 4.375 | EY 5-4-4161X Chamfered Counterbore |
| 1 | 1710 | 1.750-10 | 2.625 | 4.500 | EY 6-4-5581X Chamfered Counterbore |

| 1863 | | | | | |
|------|-----------|----------|-------|-------|---|
| 1 | 1350/1410 | 1.750-10 | 2.625 | 3.125 | CF 3-1-1521 |
| 1 | 1480/1550 | 1.750-10 | 2.625 | 2.875 | CF 4-1-3101 |
| 1 | 1610 | 1.750-10 | 2.625 | 2.875 | CF 5-1-811 |
| 1 | 1480 | 1.750-10 | 2.625 | 4.281 | EY 3-4-5791-1X .250 deep spline chamfer; C'bore depth is chamfered |
| 1 | 1550 | 1.750-10 | 2.625 | 4.672 | EY 4-4-3581-1X .250 deep spline chamfer |
| 1 | 1610 | 1.750-10 | 2.625 | 4.125 | EY 5-4-781 |
| 1 | 1650 | 1.750-10 | 2.625 | 4.375 | EY 5-4-4161X Chamfered Counterbore |
| 1 | 1710 | 1.750-10 | 2.625 | 4.500 | EY 6-4-5581X Chamfered Counterbore |

| Pos | Series | Spline Data | Hub Dia | * to End of Hub | End Fitting Part Number |
|-----|--------|-------------|---------|-----------------|-------------------------|
|-----|--------|-------------|---------|-----------------|-------------------------|

| | | | | | |
|---|-----------|----------|-------|-------|---|
| 1892, 1893, 1910, 1911, 2010, 2011, 2590, 2591, 2613, 2614, 2615, 2616, 2695, 2696, 6802, 6803 | | | | | |
| 1 | 1350/1410 | 1.750-10 | 2.625 | 3.125 | CF 3-1-1521 |
| 1 | 1480/1550 | 1.750-10 | 2.625 | 2.875 | CF 4-1-3101 |
| 1 | 1610 | 1.750-10 | 2.625 | 2.875 | CF 5-1-811 |
| 1 | 1410 | 1.750-10 | 2.625 | 4.250 | EY 3-4-2511-1 .250 deep spline chamfer |
| 1 | 1480 | 1.750-10 | 2.625 | 4.469 | EY 3-4-3121-1 .250 deep spline chamfer; C'bore depth is chamfered |
| 1 | 1480 | 1.750-10 | 2.625 | 4.281 | EY 3-4-5791-1X .250 deep spline chamfer; C'bore depth is chamfered |
| 1 | 1550 | 1.750-10 | 2.625 | 4.672 | EY 4-4-3581-1X .250 deep spline chamfer |
| 1 | 1610 | 1.750-10 | 2.625 | 4.125 | EY 5-4-781 |
| 1 | 1650 | 1.750-10 | 2.625 | 4.375 | EY 5-4-4161X Chamfered Counterbore |
| 1 | 1710 | 1.750-10 | 2.625 | 4.500 | EY 6-4-5581X Chamfered Counterbore |

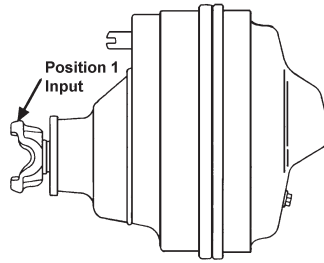
| 7800 | | | | | |
|------|-----------|----------|-------|-------|---|
| 1 | 1350/1410 | 1.750-10 | 2.625 | 3.125 | CF 3-1-1521 |
| 1 | 1480/1550 | 1.750-10 | 2.625 | 2.875 | CF 4-1-3101 |
| 1 | 1610 | 1.750-10 | 2.625 | 2.875 | CF 5-1-811 |
| 1 | 1410 | 1.750-10 | 2.625 | 4.250 | EY 3-4-2511-1 .250 deep spline chamfer |
| 1 | 1480 | 1.750-10 | 2.625 | 4.469 | EY 3-4-3121-1 .250 deep spline chamfer; C'bore depth is chamfered |
| 1 | 1480 | 1.750-10 | 2.625 | 4.281 | EY 3-4-5791-1X .250 deep spline chamfer; C'bore depth is chamfered |
| 1 | 1610 | 1.750-10 | 2.625 | 4.125 | EY 5-4-781 |
| 1 | 1650 | 1.750-10 | 2.625 | 4.375 | EY 5-4-4161X Chamfered Counterbore |
| 1 | 1710 | 1.750-10 | 2.625 | 4.500 | EY 6-4-5581X Chamfered Counterbore |

| 7801, 8802, 8803, 16500, 16501, 16600, 16601, 16802, 16803, 17800, 17801, 18802 | | | | | |
|---|-----------|----------|-------|-------|---|
| 1 | 1350/1410 | 1.750-10 | 2.625 | 3.125 | CF 3-1-1521 |
| 1 | 1480/1550 | 1.750-10 | 2.625 | 2.875 | CF 4-1-3101 |
| 1 | 1610 | 1.750-10 | 2.625 | 2.875 | CF 5-1-811 |
| 1 | 1410 | 1.750-10 | 2.625 | 4.250 | EY 3-4-2511-1 .250 deep spline chamfer |
| 1 | 1480 | 1.750-10 | 2.625 | 4.469 | EY 3-4-3121-1 .250 deep spline chamfer; C'bore depth is chamfered |
| 1 | 1480 | 1.750-10 | 2.625 | 4.281 | EY 3-4-5791-1X .250 deep spline chamfer; C'bore depth is chamfered |
| 1 | 1550 | 1.750-10 | 2.625 | 4.672 | EY 4-4-3581-1X .250 deep spline chamfer |
| 1 | 1610 | 1.750-10 | 2.625 | 4.125 | EY 5-4-781 |
| 1 | 1650 | 1.750-10 | 2.625 | 4.375 | EY 5-4-4161X Chamfered Counterbore |
| 1 | 1710 | 1.750-10 | 2.625 | 4.500 | EY 6-4-5581X Chamfered Counterbore |

*C/L to End of Hub for EY (End Yoke); Flange Face to End of Hub for CF (Companion Flange)

■ Hub machined for speedometer gear





| Pos | Series | Spline Data | Hub Dia | * to End of Hub | End Fitting Part Number |
|-----|--------|-------------|---------|-----------------|-------------------------|
|-----|--------|-------------|---------|-----------------|-------------------------|

CLARK

| 18803 | | | | | |
|--------------|-----------|----------|-------|-------|---|
| 1 | 1350/1410 | 1.750-10 | 2.625 | 3.125 | CF 3-1-1521 |
| 1 | 1480/1550 | 1.750-10 | 2.625 | 2.875 | CF 4-1-3101 |
| 1 | 1610 | 1.750-10 | 2.625 | 2.875 | CF 5-1-811 |
| 1 | 1410 | 1.750-10 | 2.625 | 4.250 | EY 3-4-2511-1 .250 deep spline chamfer |
| 1 | 1480 | 1.750-10 | 2.625 | 4.469 | EY 3-4-3121-1 .250 deep spline chamfer; C'bore depth is chamfered |
| 1 | 1480 | 1.750-10 | 2.625 | 4.281 | EY 3-4-5791-1X .250 deep spline chamfer; C'bore depth is chamfered |
| 1 | 1610 | 1.750-10 | 2.625 | 4.125 | EY 5-4-781 |
| 1 | 1650 | 1.750-10 | 2.625 | 4.375 | EY 5-4-4161X Chamfered Counterbore |
| 1 | 1710 | 1.750-10 | 2.625 | 4.500 | EY 6-4-5581X Chamfered Counterbore |

| 19502, 19503, 20502, 20503 | | | | | |
|-----------------------------------|-----------|----------|-------|-------|---|
| 1 | 1350/1410 | 1.750-10 | 2.625 | 3.125 | CF 3-1-1521 |
| 1 | 1480/1550 | 1.750-10 | 2.625 | 2.875 | CF 4-1-3101 |
| 1 | 1610 | 1.750-10 | 2.625 | 2.875 | CF 5-1-811 |
| 1 | 1410 | 1.750-10 | 2.625 | 4.250 | EY 3-4-2511-1 .250 deep spline chamfer |
| 1 | 1480 | 1.750-10 | 2.625 | 4.469 | EY 3-4-3121-1 .250 deep spline chamfer; C'bore depth is chamfered |
| 1 | 1480 | 1.750-10 | 2.625 | 4.281 | EY 3-4-5791-1X .250 deep spline chamfer; C'bore depth is chamfered |
| 1 | 1550 | 1.750-10 | 2.625 | 4.672 | EY 4-4-3581-1X .250 deep spline chamfer |
| 1 | 1610 | 1.750-10 | 2.625 | 4.125 | EY 5-4-781 |
| 1 | 1650 | 1.750-10 | 2.625 | 4.375 | EY 5-4-4161X Chamfered Counterbore |
| 1 | 1710 | 1.750-10 | 2.625 | 4.500 | EY 6-4-5581X Chamfered Counterbore |

| Pos | Series | Spline Data | Hub Dia | * to End of Hub | End Fitting Part Number |
|-----|--------|-------------|---------|-----------------|-------------------------|
|-----|--------|-------------|---------|-----------------|-------------------------|

FABCO

| FD-306 | | | | | |
|---------------|------|----------|-------|-------|---------------------------------|
| 1 | 1710 | 1.750-10 | 2.750 | 2.938 | CF 6-1-1761 |
| 1 | 1610 | 1.750-10 | 2.750 | 5.000 | EY 5-4-3621 |
| 1 | 1610 | 1.750-10 | 2.750 | 6.000 | EY 5-4-4441X High angle yoke |
| 1 | 1610 | 1.750-10 | 2.750 | 5.406 | EY 5-4-4481 |
| 1 | 1710 | 1.750-10 | 2.750 | 4.875 | EY 6-4-2381 |
| 1 | 1710 | 1.750-10 | 2.750 | 6.250 | EY 6-4-4091 |
| 1 | 1710 | 1.750-10 | 2.750 | 6.250 | EY 6-4-4831X |

| FD-900 | | | | | |
|---------------|------|----------|-------|-------|----------------|
| 1 | 1480 | 1.500-10 | 2.250 | 4.406 | EY 3-4-3241-1 |
| 1 | 1480 | 1.500-10 | 2.250 | 4.200 | EY 3-4-6221-1X |

| FD-1600, FD-1610 | | | | | |
|-------------------------|------|----------|-------|-------|---------------------------------|
| 1 | 1710 | 1.750-10 | 2.750 | 2.938 | CF 6-1-1761 |
| 1 | 1610 | 1.750-10 | 2.750 | 5.000 | EY 5-4-3621 |
| 1 | 1610 | 1.750-10 | 2.750 | 6.000 | EY 5-4-4441X High angle yoke |
| 1 | 1610 | 1.750-10 | 2.750 | 5.406 | EY 5-4-4481 |
| 1 | 1710 | 1.750-10 | 2.750 | 4.875 | EY 6-4-2381 |
| 1 | 1710 | 1.750-10 | 2.750 | 6.250 | EY 6-4-4091 |
| 1 | 1710 | 1.750-10 | 2.750 | 6.250 | EY 6-4-4831X |

| SDA-9 | | | | | |
|--------------|------|----------|-------|-------|---------------|
| 1 | 1350 | 1.750-10 | 2.375 | 4.000 | EY 3-4-2351-1 |
| 1 | 1410 | 1.750-10 | 2.375 | 4.188 | EY 3-4-1161-1 |
| 1 | 1550 | 1.750-10 | 2.375 | 4.000 | EY 4-4-2041-1 |

| SDA-12 | | | | | |
|---------------|------|----------|-------|-------|---------------|
| 1 | 1350 | 1.750-10 | 2.375 | 4.000 | EY 3-4-2351-1 |
| 1 | 1410 | 1.750-10 | 2.375 | 4.188 | EY 3-4-1161-1 |
| 1 | 1410 | 1.750-10 | 2.375 | 4.188 | EY 3-4-1841-1 |
| 1 | 1480 | 1.750-10 | 2.375 | 4.219 | EY 3-4-3571-1 |
| 1 | 1550 | 1.750-10 | 2.375 | 4.000 | EY 4-4-2041-1 |

| SDA-16 | | | | | |
|---------------|-----------|----------|-------|-------|---|
| 1 | 1350 | 1.750-10 | 2.625 | 3.125 | CF 3-1-1521 |
| 1 | 1480/1550 | 1.750-10 | 2.625 | 2.875 | CF 4-1-3101 |
| 1 | 1610 | 1.750-10 | 2.625 | 2.875 | CF 5-1-811 |
| 1 | 1410 | 1.750-10 | 2.625 | 4.000 | EY 3-4-5881-1X .250 deep spline chamfer |
| 1 | 1480 | 1.750-10 | 2.625 | 4.281 | EY 3-4-5791-1X .250 deep spline chamfer; C'bore depth is chamfered |
| 1 | 1550 | 1.750-10 | 2.625 | 4.672 | EY 4-4-3581-1X .250 deep spline chamfer |
| 1 | 1610 | 1.750-10 | 2.625 | 4.750 | EY 5-4-5111-1X |
| 1 | 1610 | 1.750-10 | 2.625 | 4.750 | EY 5-4-5111X |
| 1 | 1710 | 1.750-10 | 2.625 | 5.250 | EY 6-4-4301X Chamfered Counterbore |

*C/L to End of Hub for EY (End Yoke); Flange Face to End of Hub for CF (Companion Flange)

■ Hub machined for speedometer gear



| Pos | Series | Spline Data | Hub Dia | * to End of Hub | End Fitting Part Number |
|---------------|-----------|-------------|---------|-----------------|--|
| SDA-18 | | | | | |
| 1 | 1350 | 1.750-10 | 2.625 | 3.125 | CF 3-1-1521 |
| 1 | 1480/1550 | 1.750-10 | 2.625 | 2.875 | CF 4-1-3101 |
| 1 | 1610 | 1.750-10 | 2.625 | 2.875 | CF 5-1-811 |
| 1 | 1410 | 1.750-10 | 2.625 | 4.000 | EY 3-4-5881-1X |
| 1 | 1480 | 1.750-10 | 2.625 | 4.281 | EY 3-4-5791-1X <i>.250 deep spline chamfer</i> |
| 1 | 1550 | 1.750-10 | 2.625 | 4.672 | EY 4-4-3581-1X <i>.250 deep spline chamfer; C'bore depth is chamfered</i> |
| 1 | 1610 | 1.962-10 | 2.625 | 5.312 | EY 5-4-4471-1 |
| 1 | 1610 | 1.750-10 | 2.625 | 4.750 | EY 5-4-5111-1X |
| 1 | 1610 | 1.750-10 | 2.625 | 4.750 | EY 5-4-5111X |
| 1 | 1710 | 1.750-10 | 2.625 | 5.250 | EY 6-4-4301X <i>Chamfered Counterbore</i> |
| 1 | 1710 | 1.962-10 | 2.625 | 4.500 | EY 6-4-4731-1X <i>Chamfered Counterbore</i> |
| 1 | 1710 | 1.962-10 | 2.625 | 4.500 | EY 6-4-4731X <i>Chamfered Counterbore</i> |
| 1 | 1710 | 1.962-10 | 2.625 | 6.125 | EY 6-4-4851-1X <i>Chamfered Counterbore; High angle yoke</i> |
| 1 | 1710 | 1.962-10 | 2.625 | 6.125 | EY 6-4-4851X <i>Chamfered Counterbore; High angle yoke</i> |
| 1 | 1810 | 1.964-10 | 2.625 | 5.625 | EY 6.5-4-2351X <i>Chamfered Counterbore</i> |

| | | | | | |
|-----------------------|------|----------|-------|-------|------------------|
| SDA-21, SDA-23 | | | | | |
| 1 | 1710 | 2.149-16 | 2.938 | 5.500 | EY 6-4-4171-1X |
| 1 | 1710 | 2.149-16 | 2.938 | 5.500 | EY 6-4-4171X |
| 1 | 1810 | 2.149-16 | 2.938 | 5.812 | EY 6.5-4-2401-1X |
| 1 | 1810 | 2.149-16 | 2.938 | 5.812 | EY 6.5-4-2401X |

| | | | | | |
|-----------------|--------|----------|-------|-------|-----------------|
| SDA-1200 | | | | | |
| 1 | SPL140 | 1.790-34 | 2.625 | 4.870 | EY 140-4-461-1 |
| 1 | SPL140 | 1.790-34 | 2.625 | 4.870 | EY 140-4-471-1X |
| 1 | 1410 | 1.790-34 | 2.625 | 4.031 | EY 3-4-10251-1 |
| 1 | 1480 | 1.790-34 | 2.625 | 4.281 | EY 3-4-10261 |
| 1 | 1480 | 1.790-34 | 2.625 | 4.281 | EY 3-4-10261-1 |
| 1 | 1550 | 1.790-34 | 2.625 | 4.275 | EY 4-4-5551-1 |
| 1 | 1610 | 1.790-34 | 2.625 | 4.750 | EY 5-4-7261 |
| 1 | 1610 | 1.790-34 | 2.625 | 4.750 | EY 5-4-7261-1 |
| 1 | 1710 | 1.790-34 | 2.625 | 5.438 | EY 6-4-7571-1 |

| | | | | | |
|-----------------|------|----------|-------|-------|----------------|
| SDA-1400 | | | | | |
| 1 | 1480 | 1.790-34 | 2.625 | 4.281 | EY 3-4-10261 |
| 1 | 1480 | 1.790-34 | 2.625 | 4.281 | EY 3-4-10261-1 |
| 1 | 1550 | 1.790-34 | 2.625 | 4.275 | EY 4-4-5551-1 |
| 1 | 1610 | 1.790-34 | 2.625 | 4.750 | EY 5-4-7261 |
| 1 | 1610 | 1.790-34 | 2.625 | 4.750 | EY 5-4-7261-1 |
| 1 | 1710 | 1.790-34 | 2.625 | 5.438 | EY 6-4-7571-1 |

| | | | | | |
|-----------------|------|----------|-------|-------|----------------|
| SDA-1600 | | | | | |
| 1 | 1410 | 1.790-34 | 2.625 | 4.031 | EY 3-4-10251-1 |
| 1 | 1480 | 1.790-34 | 2.625 | 4.281 | EY 3-4-10261 |
| 1 | 1480 | 1.790-34 | 2.625 | 4.281 | EY 3-4-10261-1 |
| 1 | 1550 | 1.790-34 | 2.625 | 4.275 | EY 4-4-5551-1 |
| 1 | 1610 | 1.790-34 | 2.625 | 4.750 | EY 5-4-7261 |
| 1 | 1610 | 1.790-34 | 2.625 | 4.750 | EY 5-4-7261-1 |
| 1 | 1710 | 1.790-34 | 2.625 | 5.438 | EY 6-4-7571-1 |

| | | | | | |
|-----------------|--------|----------|-------|-------|---|
| SDA-1800 | | | | | |
| 1 | SPL140 | 2.024-39 | 2.625 | 5.030 | EY 140-4-551-1 <i>Counterbore at hub end.</i> |
| 1 | SPL140 | 2.024-39 | 2.625 | 5.030 | EY 140-4-561-1X <i>Counterbore at hub end.</i> |

| Pos | Series | Spline Data | Hub Dia | * to End of Hub | End Fitting Part Number |
|-----------------------------|--------|-------------|---------|-----------------|--|
| SDA-1800 (Continued) | | | | | |
| 1 | SPL170 | 2.024-39 | 2.625 | 4.938 | EY 170-4-151-1 |
| 1 | SPL170 | 2.024-39 | 2.625 | 4.938 | EY 170-4-161-1X |
| 1 | 1610 | 2.024-39 | 2.625 | 5.312 | EY 5-4-7971 |
| 1 | 1610 | 2.024-39 | 2.625 | 5.312 | EY 5-4-7971-1 |
| 1 | 1610 | 2.024-39 | 2.625 | 6.000 | EY 5-4-7991 <i>High angle yoke</i> |
| 1 | 1610 | 2.024-39 | 2.625 | 5.312 | EY 5-4-8411-1X |
| 1 | 1610 | 2.024-39 | 2.625 | 5.312 | EY 5-4-8411X |
| 1 | 1610 | 2.024-39 | 2.625 | 6.000 | EY 5-4-8421X <i>High angle yoke</i> |
| 1 | 1710 | 2.024-39 | 2.625 | 6.125 | EY 6-4-7981 <i>High angle yoke</i> |
| 1 | 1710 | 2.024-39 | 2.625 | 6.125 | EY 6-4-7981-1 <i>High angle yoke</i> |
| 1 | 1710 | 2.024-39 | 2.625 | 5.250 | EY 6-4-7991 |
| 1 | 1710 | 2.024-39 | 2.625 | 5.250 | EY 6-4-7991-1 |
| 1 | 1710 | 2.024-39 | 2.625 | 5.250 | EY 6-4-8531-1X |
| 1 | 1710 | 2.024-39 | 2.625 | 5.250 | EY 6-4-8531X |
| 1 | 1710 | 2.024-39 | 2.625 | 6.125 | EY 6-4-8541-1X <i>High angle yoke</i> |
| 1 | 1710 | 2.024-39 | 2.625 | 6.125 | EY 6-4-8541X <i>High angle yoke</i> |

| | | | | | |
|-----------------|------|----------|-------|-------|--|
| SDA-2100 | | | | | |
| 1 | 1610 | 2.024-39 | 2.625 | 5.312 | EY 5-4-8411-1X |
| 1 | 1610 | 2.024-39 | 2.625 | 5.312 | EY 5-4-8411X |
| 1 | 1610 | 2.024-39 | 2.625 | 6.000 | EY 5-4-8421X <i>High angle yoke</i> |
| 1 | 1710 | 2.024-39 | 2.625 | 5.250 | EY 6-4-8531-1X |
| 1 | 1710 | 2.024-39 | 2.625 | 5.250 | EY 6-4-8531X |
| 1 | 1710 | 2.024-39 | 2.625 | 6.125 | EY 6-4-8541-1X <i>High angle yoke</i> |
| 1 | 1710 | 2.024-39 | 2.625 | 6.125 | EY 6-4-8541X <i>High angle yoke</i> |

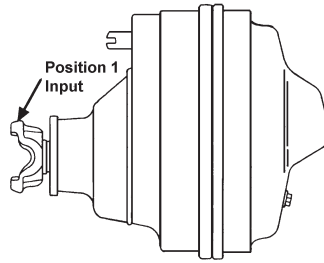
| | | | | | |
|-----------------|------|----------|-------|-------|--|
| SDA-2300 | | | | | |
| 1 | 1610 | 2.143-41 | 2.938 | 5.250 | EY 5-4-7271-1 |
| 1 | 1610 | 2.143-41 | 2.938 | 6.000 | EY 5-4-7561 |
| 1 | 1610 | 2.143-41 | 2.938 | 6.000 | EY 5-4-7561-1 |
| 1 | 1610 | 2.143-41 | 2.938 | 5.250 | EY 5-4-9111-1X |
| 1 | 1610 | 2.143-41 | 2.938 | 6.000 | EY 5-4-9121-1X |
| 1 | 1610 | 2.143-41 | 2.938 | 6.000 | EY 5-4-9121X |
| 1 | 1710 | 2.143-41 | 2.938 | 5.190 | EY 6-4-7311 |
| 1 | 1710 | 2.143-41 | 2.938 | 5.190 | EY 6-4-7311-1 |
| 1 | 1710 | 2.143-41 | 2.938 | 6.125 | EY 6-4-7551 <i>High angle yoke</i> |
| 1 | 1710 | 2.143-41 | 2.938 | 6.125 | EY 6-4-7551-1 <i>High angle yoke</i> |
| 1 | 1710 | 2.143-41 | 2.938 | 5.190 | EY 6-4-9171-1X |
| 1 | 1710 | 2.143-41 | 2.938 | 5.190 | EY 6-4-9171X |
| 1 | 1710 | 2.143-41 | 2.938 | 6.125 | EY 6-4-9181-1X <i>High angle yoke</i> |
| 1 | 1710 | 2.143-41 | 2.938 | 6.125 | EY 6-4-9181X <i>High angle yoke</i> |
| 1 | 1760 | 2.143-41 | 2.938 | 5.250 | EY 6.3-4-1061 |
| 1 | 1760 | 2.143-41 | 2.938 | 5.250 | EY 6.3-4-1061-1 |
| 1 | 1760 | 2.143-41 | 2.938 | 5.250 | EY 6.3-4-1631-1X |
| 1 | 1810 | 2.143-41 | 2.938 | 5.250 | EY 6.5-4-3681 |
| 1 | 1810 | 2.143-41 | 2.938 | 5.250 | EY 6.5-4-3681-1 |
| 1 | 1810 | 2.143-41 | 2.938 | 5.250 | EY 6.5-4-4601-1X |
| 1 | 1810 | 2.143-41 | 2.938 | 5.250 | EY 6.5-4-4601X |

*C/L to End of Hub for EY (End Yoke); Flange Face to End of Hub for CF (Companion Flange)

■ Hub machined for speedometer gear



Important: See Safety Information in General Information Section (J300P-GI)



| Pos | Series | Spline Data | Hub Dia | * to End of Hub | End Fitting Part Number |
|-----|--------|-------------|---------|-----------------|-------------------------|
|-----|--------|-------------|---------|-----------------|-------------------------|

RA-25

| | | | | | |
|---|------|----------|-------|-------|----------------|
| 1 | 1350 | 1.750-10 | 2.375 | 4.000 | EY 3-4-2351-1 |
| 1 | 1410 | 1.750-10 | 2.375 | 4.188 | EY 3-4-1841-1 |
| 1 | 1480 | 1.750-10 | 2.375 | 4.219 | EY 3-4-3571-1 |
| 1 | 1550 | 1.750-10 | 2.375 | 4.000 | EY 4-4-2041-1 |
| 1 | 1550 | 1.790-34 | 2.375 | 4.000 | EY 4-4-6961-1X |
| 1 | 1610 | 1.750-10 | 2.375 | 4.188 | EY 5-4-1481 |
| 1 | 1610 | 1.750-10 | 2.375 | 4.688 | EY 5-4-1481-1 |

RA-29

| | | | | | |
|---|------|----------|-------|-------|-----------------|
| 1 | 1350 | 1.750-10 | 2.375 | 4.000 | EY 3-4-2351-1 |
| 1 | 1410 | 1.750-10 | 2.375 | 4.188 | EY 3-4-1841-1 |
| 1 | 1480 | 1.790-34 | 2.375 | 4.219 | EY 3-4-12101-1X |
| 1 | 1480 | 1.750-10 | 2.375 | 4.219 | EY 3-4-3571-1 |
| 1 | 1550 | 1.750-10 | 2.375 | 4.000 | EY 4-4-2041-1 |
| 1 | 1550 | 1.790-34 | 2.375 | 4.000 | EY 4-4-6961-1X |
| 1 | 1610 | 1.750-10 | 2.375 | 4.188 | EY 5-4-1481 |
| 1 | 1610 | 1.750-10 | 2.375 | 4.688 | EY 5-4-1481-1 |

RA-30

| | | | | | |
|---|------|----------|-------|-------|----------------|
| 1 | 1350 | 1.750-10 | 2.375 | 4.000 | EY 3-4-2351-1 |
| 1 | 1410 | 1.750-10 | 2.375 | 4.188 | EY 3-4-1841-1 |
| 1 | 1480 | 1.750-10 | 2.375 | 4.219 | EY 3-4-3571-1 |
| 1 | 1550 | 1.750-10 | 2.375 | 4.000 | EY 4-4-2041-1 |
| 1 | 1550 | 1.790-34 | 2.375 | 4.000 | EY 4-4-6961-1X |
| 1 | 1610 | 1.750-10 | 2.375 | 4.188 | EY 5-4-1481 |
| 1 | 1610 | 1.750-10 | 2.375 | 4.688 | EY 5-4-1481-1 |

RA-31, RA-32, RA-33, RA-34

| | | | | | |
|---|------|----------|-------|-------|-----------------|
| 1 | 1480 | 1.998-38 | 3.000 | 4.281 | EY 3-4-12121-1X |
| 1 | 1550 | 1.998-38 | 3.000 | 4.500 | EY 4-4-6981-1X |
| 1 | 1610 | 1.998-38 | 3.000 | 4.844 | EY 5-4-5861X |
| 1 | 1610 | 1.998-38 | 3.000 | 4.844 | EY 5-4-8591-1X |
| 1 | 1710 | 1.998-38 | 3.000 | 4.840 | EY 6-4-9951-1 |
| 1 | 1710 | 1.998-38 | 3.000 | 4.840 | EY 6-4-9961-1X |

RA-36

| | | | | | |
|---|------|----------|-------|-------|--|
| 1 | 1550 | 2.114-32 | 3.000 | 4.312 | EY 4-4-7001-1X |
| 1 | 1610 | 2.114-32 | 3.000 | 5.375 | EY 5-4-7221X |
| 1 | 1610 | 2.114-32 | 3.000 | 5.375 | EY 5-4-8611-1X |
| 1 | 1710 | 2.114-32 | 3.000 | 4.562 | EY 6-4-5811 |
| 1 | 1710 | 2.114-32 | 3.000 | 6.250 | EY 6-4-7171X <i>High angle yoke</i> |
| 1 | 1710 | 2.114-32 | 3.000 | 4.562 | EY 6-4-7221X |
| 1 | 1710 | 2.114-32 | 3.000 | 4.562 | EY 6-4-8681-1X |
| 1 | 1760 | 2.114-32 | 3.000 | 5.000 | EY 6.3-4-1511-1 |
| 1 | 1760 | 2.114-32 | 3.000 | 5.000 | EY 6.3-4-1521-1X |
| 1 | 1810 | 2.114-32 | 3.000 | 5.000 | EY 6.5-4-4451-1 |
| 1 | 1810 | 2.114-32 | 3.000 | 5.000 | EY 6.5-4-4461-1X |

RA-39

| | | | | | |
|---|------|----------|-------|-------|---------------|
| 1 | 1350 | 1.750-10 | 2.375 | 4.000 | EY 3-4-2351-1 |
| 1 | 1410 | 1.750-10 | 2.375 | 4.188 | EY 3-4-1841-1 |

| Pos | Series | Spline Data | Hub Dia | * to End of Hub | End Fitting Part Number |
|-----|--------|-------------|---------|-----------------|-------------------------|
|-----|--------|-------------|---------|-----------------|-------------------------|

RA-39 (Continued)

| | | | | | |
|---|------|----------|-------|-------|-----------------|
| 1 | 1480 | 1.790-34 | 2.375 | 4.219 | EY 3-4-12101-1X |
| 1 | 1480 | 1.750-10 | 2.375 | 4.219 | EY 3-4-3571-1 |
| 1 | 1550 | 1.750-10 | 2.375 | 4.000 | EY 4-4-2041-1 |
| 1 | 1550 | 1.790-34 | 2.375 | 4.000 | EY 4-4-6961-1X |
| 1 | 1610 | 1.750-10 | 2.375 | 4.188 | EY 5-4-1481 |
| 1 | 1610 | 1.750-10 | 2.375 | 4.688 | EY 5-4-1481-1 |

RA-42, RA-44, RA-47

| | | | | | |
|---|------|----------|-------|-------|--|
| 1 | 1550 | 2.114-32 | 3.000 | 4.312 | EY 4-4-7001-1X |
| 1 | 1610 | 2.114-32 | 3.000 | 5.375 | EY 5-4-5751 |
| 1 | 1610 | 2.114-32 | 3.000 | 5.375 | EY 5-4-7221X |
| 1 | 1610 | 2.114-32 | 3.000 | 5.375 | EY 5-4-8611-1X |
| 1 | 1710 | 2.114-32 | 3.000 | 4.562 | EY 6-4-5811 |
| 1 | 1710 | 2.114-32 | 3.000 | 6.250 | EY 6-4-7171X <i>High angle yoke</i> |
| 1 | 1710 | 2.114-32 | 3.000 | 4.562 | EY 6-4-7221X |
| 1 | 1710 | 2.114-32 | 3.000 | 4.562 | EY 6-4-8681-1X |
| 1 | 1760 | 2.114-32 | 3.000 | 5.000 | EY 6.3-4-1511-1 |
| 1 | 1760 | 2.114-32 | 3.000 | 5.000 | EY 6.3-4-1521-1X |
| 1 | 1810 | 2.114-32 | 3.000 | 5.000 | EY 6.5-4-4451-1 |
| 1 | 1810 | 2.114-32 | 3.000 | 5.000 | EY 6.5-4-4461-1X |

RA-48

| | | | | | |
|---|------|----------|-------|-------|--|
| 1 | 1550 | 2.114-32 | 3.000 | 4.312 | EY 4-4-7001-1X |
| 1 | 1610 | 2.114-32 | 3.000 | 5.375 | EY 5-4-5751 |
| 1 | 1610 | 2.114-32 | 3.000 | 5.375 | EY 5-4-7221X |
| 1 | 1610 | 2.114-32 | 3.000 | 5.375 | EY 5-4-8611-1X |
| 1 | 1710 | 2.114-32 | 3.000 | 6.250 | EY 6-4-7171X <i>High angle yoke</i> |
| 1 | 1710 | 2.114-32 | 3.000 | 4.562 | EY 6-4-7221X |
| 1 | 1710 | 2.114-32 | 3.000 | 4.562 | EY 6-4-8681-1X |

RA-54

| | | | | | |
|---|------|----------|-------|-------|-------------|
| 1 | 1610 | 1.962-10 | 3.000 | 5.375 | EY 5-4-4541 |
| 1 | 1710 | 2.250-10 | 3.000 | 5.250 | EY 6-4-2511 |
| 1 | 1710 | 1.964-10 | 3.000 | 4.562 | EY 6-4-3291 |

RA-57

| | | | | | |
|---|------|----------|-------|-------|------------------|
| 1 | 1550 | 2.364-36 | 3.000 | 5.078 | EY 4-4-7111-1X |
| 1 | 1610 | 1.962-10 | 3.000 | 5.375 | EY 5-4-4541 |
| 1 | 1610 | 2.364-36 | 3.000 | 5.156 | EY 5-4-7201X |
| 1 | 1610 | 2.364-36 | 3.000 | 5.156 | EY 5-4-8631-1X |
| 1 | 1710 | 1.964-10 | 3.000 | 4.562 | EY 6-4-3291 |
| 1 | 1710 | 2.364-36 | 3.000 | 5.438 | EY 6-4-5711 |
| 1 | 1710 | 2.364-36 | 3.000 | 5.438 | EY 6-4-7191X |
| 1 | 1710 | 2.364-36 | 3.000 | 5.438 | EY 6-4-8701-1X |
| 1 | 1760 | 2.364-36 | 3.000 | 5.438 | EY 6.3-4-1021X |
| 1 | 1760 | 2.364-36 | 3.000 | 5.438 | EY 6.3-4-1531-1 |
| 1 | 1760 | 2.364-36 | 3.000 | 5.438 | EY 6.3-4-1541-1X |
| 1 | 1810 | 2.364-36 | 3.000 | 5.438 | EY 6.5-4-3161 |
| 1 | 1810 | 2.364-36 | 3.000 | 5.438 | EY 6.5-4-3651X |
| 1 | 1810 | 2.364-36 | 3.000 | 5.438 | EY 6.5-4-4421-1X |

*C/L to End of Hub for EY (End Yoke); Flange Face to End of Hub for CF (Companion Flange)

■ Hub machined for speedometer gear



| Pos | Series | Spline Data | Hub Dia | * to End of Hub | End Fitting Part Number |
|-------------------------------|--------|-------------|---------|-----------------|--|
| RA-130, RA-131, RA-132 | | | | | |
| 1 | 1480 | 1.998-38 | 3.000 | 4.281 | EY 3-4-12121-1X |
| 1 | 1550 | 1.998-38 | 3.000 | 4.500 | EY 4-4-6981-1X |
| 1 | 1610 | 1.998-38 | 3.000 | 4.844 | EY 5-4-5861X |
| 1 | 1610 | 1.998-38 | 3.000 | 4.844 | EY 5-4-8591-1X |
| 1 | 1710 | 1.998-38 | 3.000 | 4.840 | EY 6-4-9951-1 |
| 1 | 1710 | 1.998-38 | 3.000 | 4.840 | EY 6-4-9961-1X |
| RA-133 | | | | | |
| 1 | 1480 | 1.998-38 | 3.000 | 4.281 | EY 3-4-12121-1X |
| 1 | 1550 | 1.998-38 | 3.000 | 4.500 | EY 4-4-6981-1X |
| 1 | 1610 | 1.998-38 | 3.000 | 4.844 | EY 5-4-5861X |
| 1 | 1610 | 1.998-38 | 3.000 | 4.844 | EY 5-4-8591-1X |
| 1 | 1710 | 1.998-38 | 3.000 | 4.840 | EY 6-4-9951-1 |
| RA-186 | | | | | |
| 1 | 1550 | 1.750-10 | 2.625 | 4.281 | EY 4-4-2091-1 |
| 1 | 1610 | 1.750-10 | 2.625 | 5.344 | EY 5-4-4461 |
| 1 | 1610 | 1.750-10 | 2.625 | 5.344 | EY 5-4-4461-1 |
| 1 | 1710 | 1.750-10 | 2.625 | 4.500 | EY 6-4-5581-1X |
| 1 | 1710 | 1.750-10 | 2.625 | 4.500 | EY 6-4-5581X <i>Chamfered Counterbore</i> |
| RA-189 | | | | | |
| 1 | 1350 | 1.750-10 | 2.375 | 4.000 | EY 3-4-2351-1 |
| 1 | 1410 | 1.750-10 | 2.375 | 4.188 | EY 3-4-1841-1 |
| 1 | 1480 | 1.750-10 | 2.375 | 4.219 | EY 3-4-3571-1 |
| 1 | 1550 | 1.750-10 | 2.375 | 4.000 | EY 4-4-2041-1 |
| 1 | 1610 | 1.750-10 | 2.375 | 4.188 | EY 5-4-1481 |
| 1 | 1610 | 1.750-10 | 2.375 | 4.688 | EY 5-4-1481-1 |
| RA-192 | | | | | |
| 1 | 1550 | 1.750-10 | 2.625 | 4.281 | EY 4-4-2091-1 |
| 1 | 1610 | 1.750-10 | 2.625 | 5.344 | EY 5-4-4461 |
| 1 | 1710 | 1.750-10 | 2.625 | 4.500 | EY 6-4-5581-1X |
| 1 | 1710 | 1.750-10 | 2.625 | 4.500 | EY 6-4-5581X <i>Chamfered Counterbore</i> |
| RA-197 | | | | | |
| 1 | 1610 | 1.962-10 | 2.625 | 5.312 | EY 5-4-4471-1 |
| 1 | 1810 | 1.964-10 | 2.625 | 5.625 | EY 6.5-4-2351X <i>Chamfered Counterbore</i> |
| RA-286 | | | | | |
| 1 | 1550 | 1.750-10 | 2.625 | 4.281 | EY 4-4-2091-1 |
| 1 | 1610 | 1.750-10 | 2.625 | 5.344 | EY 5-4-4461 |
| 1 | 1610 | 1.750-10 | 2.625 | 5.344 | EY 5-4-4461-1 |
| 1 | 1710 | 1.750-10 | 2.625 | 4.500 | EY 6-4-5581-1X |
| 1 | 1710 | 1.750-10 | 2.625 | 4.500 | EY 6-4-5581X <i>Chamfered Counterbore</i> |
| 014ADB, 014ADC, 014ADD | | | | | |
| 1 | 1550 | 2.114-32 | 3.000 | 4.312 | EY 4-4-7001-1X |
| 1 | 1610 | 2.114-32 | 3.000 | 5.375 | EY 5-4-5751 |
| 1 | 1610 | 2.114-32 | 3.000 | 5.375 | EY 5-4-7221X |
| 1 | 1610 | 2.114-32 | 3.000 | 5.375 | EY 5-4-8611-1X |
| 1 | 1710 | 2.114-32 | 3.000 | 4.562 | EY 6-4-5811 |
| 1 | 1710 | 2.114-32 | 3.000 | 6.250 | EY 6-4-7171X <i>High angle yoke</i> |
| 1 | 1710 | 2.114-32 | 3.000 | 4.562 | EY 6-4-7221X |
| 1 | 1710 | 2.114-32 | 3.000 | 4.562 | EY 6-4-8681-1X |
| 1 | 1760 | 2.114-32 | 3.000 | 5.000 | EY 6.3-4-1521-1X |
| 1 | 1810 | 2.114-32 | 3.000 | 5.000 | EY 6.5-4-4451-1 |
| 1 | 1810 | 2.114-32 | 3.000 | 5.000 | EY 6.5-4-4461-1X |

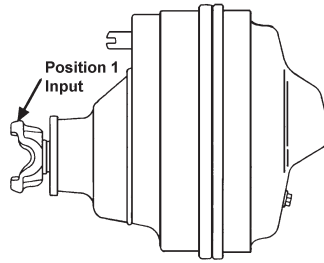
| Pos | Series | Spline Data | Hub Dia | * to End of Hub | End Fitting Part Number |
|-----|--------|-------------|---------|-----------------|-------------------------|
|-----|--------|-------------|---------|-----------------|-------------------------|

*C/L to End of Hub for EY (End Yoke); Flange Face to End of Hub for CF (Companion Flange)

■ Hub machined for speedometer gear



Important: See Safety Information in General Information Section (J300P-GI)



| Pos | Series | Spline Data | Hub Dia | * to End of Hub | End Fitting Part Number |
|-----|--------|-------------|---------|-----------------|-------------------------|
|-----|--------|-------------|---------|-----------------|-------------------------|

MACK

CRD93A

| | | | | | |
|---|--------|----------|-------|-------|--|
| 1 | SPL170 | 2.374-46 | 3.500 | 5.880 | EY 170-4-1211-1 |
| 1 | SPL170 | 2.374-46 | 3.500 | 5.880 | EY 170-4-1221-1X |
| 1 | SPL170 | 2.374-46 | 3.500 | 6.688 | EY 170-4-1281-1 <i>High angle yoke</i> |
| 1 | SPL170 | 2.374-46 | 3.500 | 6.688 | EY 170-4-1291-1X <i>High angle yoke</i> |
| 1 | SPL250 | 2.374-46 | 3.500 | 6.140 | EY 250-4-641-1 |
| 1 | SPL250 | 2.374-46 | 3.500 | 6.140 | EY 250-4-651-1X |
| 1 | 1710 | 2.374-46 | 3.500 | 5.156 | EY 6-4-5841 |
| 1 | 1710 | 2.374-46 | 3.500 | 5.156 | EY 6-4-5841-1 |
| 1 | 1710 | 2.374-46 | 3.500 | 5.156 | EY 6-4-8341-1X |
| 1 | 1710 | 2.374-46 | 3.500 | 5.156 | EY 6-4-8341X |
| 1 | 1760 | 2.374-46 | 3.500 | 5.375 | EY 6.3-4-1391-1X |
| 1 | 1760 | 2.374-46 | 3.500 | 5.375 | EY 6.3-4-1391X |
| 1 | 1760 | 2.374-46 | 3.500 | 5.375 | EY 6.3-4-391 |
| 1 | 1760 | 2.374-46 | 3.500 | 5.375 | EY 6.3-4-391-1 |
| 1 | 1810 | 2.374-46 | 3.500 | 5.406 | EY 6.5-4-3251 |
| 1 | 1810 | 2.374-46 | 3.500 | 5.406 | EY 6.5-4-3251-1 |
| 1 | 1810 | 2.374-46 | 3.500 | 5.406 | EY 6.5-4-4271-1X |
| 1 | 1810 | 2.374-46 | 3.500 | 5.406 | EY 6.5-4-4271X |

CRD118

| | | | | | |
|---|--------|----------|-------|-------|------------------|
| 1 | SPL250 | 2.250-10 | 3.125 | 5.234 | EY 250-4-681-1 |
| 1 | SPL250 | 2.250-10 | 3.125 | 5.234 | EY 250-4-691-1X |
| 1 | 1810 | 2.250-10 | 3.125 | 5.375 | EY 6.5-4-2141 |
| 1 | 1810 | 2.250-10 | 3.125 | 5.375 | EY 6.5-4-2141-1 |
| 1 | 1810 | 2.250-10 | 3.125 | 5.375 | EY 6.5-4-4221-1X |

CRD150, CRD151

| | | | | | |
|---|--------|----------|-------|-------|------------------|
| 1 | SPL170 | 2.750-43 | 3.750 | 5.929 | EY 170-4-1931-1X |
| 1 | SPL250 | 2.750-43 | 3.750 | 5.500 | EY 250-4-1061-1X |
| 1 | 1710 | 2.750-43 | 3.750 | 5.929 | EY 6-4-10351-1X |
| 1 | 1710 | 2.750-43 | 3.750 | 5.929 | EY 6-4-10351X |
| 1 | 1760 | 2.753-43 | 3.750 | 4.870 | EY 6.3-4-1891-1X |
| 1 | 1760 | 2.753-43 | 3.750 | 4.870 | EY 6.3-4-1891X |
| 1 | 1810 | 2.750-43 | 3.750 | 5.406 | EY 6.5-4-5131-1X |
| 1 | 1810 | 2.750-43 | 3.750 | 5.406 | EY 6.5-4-5131X |

CRD201, CRD203

| | | | | | |
|---|--------|----------|-------|-------|--|
| 1 | SPL170 | 2.374-46 | 3.500 | 5.880 | EY 170-4-1211-1 |
| 1 | SPL170 | 2.374-46 | 3.500 | 5.880 | EY 170-4-1221-1X |
| 1 | SPL170 | 2.374-46 | 3.500 | 6.688 | EY 170-4-1281-1 <i>High angle yoke</i> |
| 1 | SPL170 | 2.374-46 | 3.500 | 6.688 | EY 170-4-1291-1X <i>High angle yoke</i> |
| 1 | SPL250 | 2.374-46 | 3.500 | 6.140 | EY 250-4-641-1 |
| 1 | SPL250 | 2.374-46 | 3.500 | 6.140 | EY 250-4-651-1X |
| 1 | 1710 | 2.374-46 | 3.500 | 5.156 | EY 6-4-5841 |
| 1 | 1710 | 2.374-46 | 3.500 | 5.156 | EY 6-4-5841-1 |

| Pos | Series | Spline Data | Hub Dia | * to End of Hub | End Fitting Part Number |
|-----|--------|-------------|---------|-----------------|-------------------------|
|-----|--------|-------------|---------|-----------------|-------------------------|

CRD201, CRD203 (Continued)

| | | | | | |
|---|------|----------|-------|-------|------------------|
| 1 | 1710 | 2.374-46 | 3.500 | 5.156 | EY 6-4-8341-1X |
| 1 | 1710 | 2.374-46 | 3.500 | 5.156 | EY 6-4-8341X |
| 1 | 1760 | 2.374-46 | 3.500 | 5.375 | EY 6.3-4-1391-1X |
| 1 | 1760 | 2.374-46 | 3.500 | 5.375 | EY 6.3-4-1391X |
| 1 | 1760 | 2.374-46 | 3.500 | 5.375 | EY 6.3-4-391 |
| 1 | 1760 | 2.374-46 | 3.500 | 5.375 | EY 6.3-4-391-1 |
| 1 | 1810 | 2.374-46 | 3.500 | 5.406 | EY 6.5-4-3251 |
| 1 | 1810 | 2.374-46 | 3.500 | 5.406 | EY 6.5-4-3251-1 |
| 1 | 1810 | 2.374-46 | 3.500 | 5.406 | EY 6.5-4-4271-1X |
| 1 | 1810 | 2.374-46 | 3.500 | 5.406 | EY 6.5-4-4271X |

OSHKOSH

TAK-4

| | | | | | |
|---|--------|----------|-------|-------|------------------|
| 1 | SPL170 | 1.998-38 | 3.000 | 4.898 | EY 170-4-1961-1X |
|---|--------|----------|-------|-------|------------------|

MERITOR/ROCKWELL

D-460F

| | | | | | |
|---|------|----------|-------|-------|-------------|
| 1 | 1710 | 2.000-10 | 3.250 | 5.625 | EY 6-4-2001 |
|---|------|----------|-------|-------|-------------|

E-155

| | | | | | |
|---|------|----------|-------|-------|---------------|
| 1 | 1480 | 1.500-10 | 2.250 | 4.406 | EY 3-4-3241-1 |
| 1 | 1480 | 1.500-10 | 2.250 | 4.200 | EY 3-4-3781-1 |

E-245

| | | | | | |
|---|------|----------|-------|-------|---------------|
| 1 | 1410 | 1.500-10 | 2.250 | 3.750 | EY 3-4-1911-1 |
|---|------|----------|-------|-------|---------------|

F-34, F-106, F-140, F-145

| | | | | | |
|---|------|----------|-------|-------|---------------|
| 1 | 1480 | 1.500-10 | 2.250 | 4.406 | EY 3-4-3241-1 |
| 1 | 1480 | 1.500-10 | 2.250 | 4.200 | EY 3-4-3781-1 |

F-223, F-235

| | | | | | |
|---|------|----------|-------|-------|---|
| 1 | 1610 | 1.750-10 | 2.750 | 5.000 | EY 5-4-3621 |
| 1 | 1610 | 1.750-10 | 2.750 | 6.000 | EY 5-4-4441X <i>High angle yoke</i> |
| 1 | 1710 | 1.750-10 | 2.750 | 4.875 | EY 6-4-2381 |
| 1 | 1710 | 2.350-16 | 3.312 | 4.938 | EY 6-4-4601 <i>Coupling shaft yoke</i> |
| 1 | 1710 | 1.750-10 | 2.750 | 6.250 | EY 6-4-4831X |

F-245, F-345

| | | | | | |
|---|------|----------|-------|-------|---------------|
| 1 | 1410 | 1.500-10 | 2.250 | 3.750 | EY 3-4-1911-1 |
|---|------|----------|-------|-------|---------------|

F-409CW, F-429CN

| | | | | | |
|---|------|----------|-------|-------|-------------|
| 1 | 1710 | 1.960-10 | 2.938 | 4.500 | EY 6-4-2061 |
|---|------|----------|-------|-------|-------------|

F-3100

| | | | | | |
|---|-----------|----------|-------|-------|-------------|
| 1 | 1480/1550 | 2.000-10 | 2.938 | 3.625 | CF 4-1-2361 |
| 1 | 1610 | 2.000-10 | 2.938 | 3.625 | CF 5-1-3161 |
| 1 | 1610 | 2.000-10 | 2.938 | 5.000 | EY 5-4-1521 |
| 1 | 1710 | 2.000-10 | 2.938 | 5.625 | EY 6-4-2191 |

F-3110

| | | | | | |
|---|------|----------|-------|-------|-------------|
| 1 | 1710 | 1.960-10 | 2.938 | 4.500 | EY 6-4-2061 |
|---|------|----------|-------|-------|-------------|

*C/L to End of Hub for EY (End Yoke); Flange Face to End of Hub for CF (Companion Flange)

■ Hub machined for speedometer gear



| Pos | Series | Spline Data | Hub Dia | * to End of Hub | End Fitting Part Number |
|--|-----------|-------------|---------|-----------------|---|
| F-3200 | | | | | |
| 1 | 1480/1550 | 2.000-10 | 2.938 | 3.625 | CF 4-1-2361 |
| 1 | 1610 | 2.000-10 | 2.938 | 3.625 | CF 5-1-3161 |
| 1 | 1610 | 2.000-10 | 2.938 | 5.000 | EY 5-4-1521 |
| 1 | 1710 | 2.000-10 | 2.938 | 5.625 | EY 6-4-2191 |
| FDS-75, FDS-90 | | | | | |
| 1 | 1480 | 1.500-10 | 2.250 | 4.406 | EY 3-4-3241-1 |
| 1 | 1480 | 1.500-10 | 2.250 | 4.200 | EY 3-4-3781-1 |
| FDS-1600 | | | | | |
| 1 | 1350/1410 | 1.625-10 | 2.375 | 3.000 | CF 3-1-3531 |
| 1 | 1480/1550 | 1.625-10 | 2.375 | 2.750 | CF 4-1-2751 |
| 1 | 1410 | 1.625-10 | 2.375 | 3.938 | EY 3-4-3491-1 |
| 1 | 1410 | 1.625-10 | 2.375 | 4.188 | EY 3-4-5921-1X |
| 1 | 1480 | 1.625-10 | 2.375 | 4.312 | EY 3-4-3771 |
| 1 | 1610 | 1.625-10 | 2.375 | 4.125 | EY 5-4-2401 |
| FDS-1800, FDS-2100 | | | | | |
| 1 | 1610 | 2.024-39 | 2.750 | 5.125 | EY 5-4-6951X |
| 1 | 1610 | 2.024-39 | 2.750 | 5.938 | EY 5-4-6961X <i>High angle yoke</i> |
| 1 | 1710 | 2.024-39 | 2.750 | 6.500 | EY 6-4-6871X |
| 1 | 1710 | 2.024-39 | 2.750 | 4.812 | EY 6-4-6941X |
| 1 | 1710 | 2.024-39 | 2.750 | 5.250 | EY 6-4-6951-1X |
| 1 | 1710 | 2.024-39 | 2.750 | 5.250 | EY 6-4-6951X |
| 1 | 1810 | 2.024-39 | 2.750 | 5.625 | EY 6.5-4-3571-1X |
| 1 | 1810 | 2.024-39 | 2.750 | 5.531 | EY 6.5-4-3571X |
| FDS-750 | | | | | |
| 1 | 1410 | 1.500-10 | 2.250 | 3.750 | EY 3-4-1911-1 |
| G-100 | | | | | |
| 1 | 1710 | 2.024-39 | 3.000 | 5.156 | EY 6-4-7621-1 |
| 1 | 1710 | 2.024-39 | 3.000 | 5.156 | EY 6-4-7641-1X |
| G-160, G-340, G-360, H-140, H-150, H-160, H-170 | | | | | |
| 1 | 1350/1410 | 1.625-10 | 2.375 | 3.000 | CF 3-1-3531 |
| 1 | 1480/1550 | 1.625-10 | 2.375 | 2.750 | CF 4-1-2751 |
| 1 | 1410 | 1.625-10 | 2.375 | 3.938 | EY 3-4-3491-1 |
| 1 | 1410 | 1.625-10 | 2.375 | 4.188 | EY 3-4-5921-1X |
| 1 | 1610 | 1.625-10 | 2.375 | 4.125 | EY 5-4-2401 |
| H-172 | | | | | |
| 1 | 1410 | 1.774-34 | 2.500 | 4.188 | EY 3-4-8061X |
| 1 | 1480 | 1.774-34 | 2.500 | 4.469 | EY 3-4-8051-1X |
| 1 | 1550 | 1.774-34 | 2.500 | 4.700 | EY 4-4-4101-1 |
| 1 | 1550 | 1.774-34 | 2.500 | 4.700 | EY 4-4-4101-2 <i>Attaching hardware by OEM</i> |
| 1 | 1550 | 1.774-34 | 2.500 | 4.700 | EY 4-4-4111-1X |
| 1 | 1610 | 1.774-34 | 2.500 | 6.062 | EY 5-4-4901X <i>High angle yoke</i> |
| 1 | 1610 | 1.774-34 | 2.500 | 5.438 | EY 5-4-5081X |
| 1 | 1610 | 1.774-34 | 2.500 | 4.875 | EY 5-4-5571-1 |
| 1 | 1610 | 1.774-34 | 2.500 | 4.875 | EY 5-4-5621-1X |
| 1 | 1710 | 1.774-34 | 2.500 | 5.969 | EY 6-4-5111X <i>High angle yoke</i> |
| 1 | 1710 | 1.774-34 | 2.500 | 4.875 | EY 6-4-5131-1X |
| 1 | 1710 | 1.774-34 | 2.500 | 4.875 | EY 6-4-5131X |
| H-240, H-340, H-350, H-360, H-370 | | | | | |
| 1 | 1350/1410 | 1.625-10 | 2.375 | 3.000 | CF 3-1-3531 |
| 1 | 1480/1550 | 1.625-10 | 2.375 | 2.750 | CF 4-1-2751 |
| 1 | 1410 | 1.625-10 | 2.375 | 3.938 | EY 3-4-3491-1 |
| 1 | 1410 | 1.625-10 | 2.375 | 4.188 | EY 3-4-5921-1X |
| 1 | 1610 | 1.625-10 | 2.375 | 4.125 | EY 5-4-2401 |

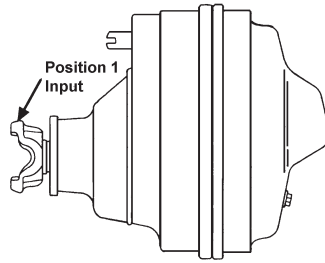
| Pos | Series | Spline Data | Hub Dia | * to End of Hub | End Fitting Part Number |
|--|-----------|-------------|---------|-----------------|---|
| L-140, L-160 | | | | | |
| 1 | 1650/1710 | 1.750-10 | 2.750 | 2.938 | CF 6-1-1761 |
| 1 | 1610 | 1.750-10 | 2.750 | 5.000 | EY 5-4-3621 |
| 1 | 1610 | 1.750-10 | 2.750 | 6.000 | EY 5-4-4441X <i>High angle yoke</i> |
| 1 | 1610 | 1.750-10 | 2.750 | 5.406 | EY 5-4-4481 |
| 1 | 1710 | 1.750-10 | 2.750 | 4.875 | EY 6-4-2381 |
| 1 | 1710 | 2.350-16 | 3.312 | 4.938 | EY 6-4-4601 <i>Coupling shaft yoke</i> |
| 1 | 1710 | 1.750-10 | 2.750 | 6.250 | EY 6-4-4831X |
| L-172 | | | | | |
| 1 | 1410 | 1.774-34 | 2.500 | 4.188 | EY 3-4-8061X |
| 1 | 1480 | 1.774-34 | 2.500 | 4.469 | EY 3-4-8051-1X |
| 1 | 1550 | 1.774-34 | 2.500 | 4.700 | EY 4-4-4101-1 |
| 1 | 1550 | 1.774-34 | 2.500 | 4.700 | EY 4-4-4101-2 <i>Attaching hardware by OEM</i> |
| 1 | 1550 | 1.774-34 | 2.500 | 4.700 | EY 4-4-4111-1X |
| 1 | 1610 | 1.774-34 | 2.500 | 6.062 | EY 5-4-4901X <i>High angle yoke</i> |
| 1 | 1610 | 1.774-34 | 2.500 | 5.438 | EY 5-4-5081X |
| 1 | 1610 | 1.774-34 | 2.500 | 4.875 | EY 5-4-5571-1 |
| 1 | 1610 | 1.774-34 | 2.500 | 4.875 | EY 5-4-5621-1X |
| 1 | 1710 | 1.774-34 | 2.500 | 5.969 | EY 6-4-5111X <i>High angle yoke</i> |
| 1 | 1710 | 1.774-34 | 2.500 | 4.875 | EY 6-4-5131-1X |
| 1 | 1710 | 1.774-34 | 2.500 | 4.875 | EY 6-4-5131X |
| L-240, L-340, L-350, L-360, L-370 | | | | | |
| 1 | 1650/1710 | 1.750-10 | 2.750 | 2.938 | CF 6-1-1761 |
| 1 | 1610 | 1.750-10 | 2.750 | 5.000 | EY 5-4-3621 |
| 1 | 1610 | 1.750-10 | 2.750 | 6.000 | EY 5-4-4441X <i>High angle yoke</i> |
| 1 | 1610 | 1.750-10 | 2.750 | 5.406 | EY 5-4-4481 |
| 1 | 1710 | 1.750-10 | 2.750 | 4.875 | EY 6-4-2381 |
| 1 | 1710 | 2.350-16 | 3.312 | 4.938 | EY 6-4-4601 <i>Coupling shaft yoke</i> |
| 1 | 1710 | 1.750-10 | 2.750 | 6.250 | EY 6-4-4831X |
| L-600 | | | | | |
| 1 | 1410 | 1.774-34 | 2.500 | 4.188 | EY 3-4-8061X |
| 1 | 1480 | 1.774-34 | 2.500 | 4.469 | EY 3-4-8051-1X |
| 1 | 1550 | 1.774-34 | 2.500 | 4.700 | EY 4-4-4101-1 |
| 1 | 1550 | 1.774-34 | 2.500 | 4.700 | EY 4-4-4101-2 <i>Attaching hardware by OEM</i> |
| 1 | 1550 | 1.774-34 | 2.500 | 4.700 | EY 4-4-4111-1X |
| 1 | 1610 | 1.774-34 | 2.500 | 6.062 | EY 5-4-4901X <i>High angle yoke</i> |
| 1 | 1610 | 1.774-34 | 2.500 | 5.438 | EY 5-4-5081X |
| 1 | 1610 | 1.774-34 | 2.500 | 4.875 | EY 5-4-5571-1 |
| 1 | 1610 | 1.774-34 | 2.500 | 4.875 | EY 5-4-5621-1X |
| 1 | 1710 | 1.774-34 | 2.500 | 5.969 | EY 6-4-5111X <i>High angle yoke</i> |
| 1 | 1710 | 1.774-34 | 2.500 | 4.875 | EY 6-4-5131-1X |
| 1 | 1710 | 1.774-34 | 2.500 | 4.875 | EY 6-4-5131X |
| LT-300, LT-340 | | | | | |
| 1 | 1480 | 1.875-10 | 2.750 | 4.406 | EY 3-4-6671-1X |
| 1 | 1550 | 1.875-10 | 2.750 | 4.406 | EY 4-4-1941 |
| 1 | 1610 | 1.875-10 | 2.750 | 5.000 | EY 5-4-2501 |

*C/L to End of Hub for EY (End Yoke); Flange Face to End of Hub for CF (Companion Flange)

■ Hub machined for speedometer gear



Important: See Safety Information in General Information Section (J300P-GI)



| Pos | Series | Spline Data | Hub Dia | * to End of Hub | End Fitting Part Number |
|----------------------------------|-----------|-------------|---------|-----------------|--|
| M-172 | | | | | |
| 1 | 1410 | 1.774-34 | 2.500 | 4.188 | EY 3-4-8061X |
| 1 | 1550 | 1.774-34 | 2.500 | 4.700 | EY 4-4-4101-1 |
| 1 | 1550 | 1.774-34 | 2.500 | 4.700 | EY 4-4-4101-2 |
| <i>Attaching hardware by OEM</i> | | | | | |
| 1 | 1550 | 1.774-34 | 2.500 | 4.700 | EY 4-4-4111-1X |
| 1 | 1610 | 1.774-34 | 2.500 | 6.062 | EY 5-4-4901X <i>High angle yoke</i> |
| 1 | 1610 | 1.774-34 | 2.500 | 5.438 | EY 5-4-5081X |
| 1 | 1610 | 1.774-34 | 2.500 | 4.875 | EY 5-4-5571-1 |
| 1 | 1610 | 1.774-34 | 2.500 | 4.875 | EY 5-4-5621-1X |
| 1 | 1710 | 1.774-34 | 2.500 | 5.969 | EY 6-4-5111X <i>High angle yoke</i> |
| 1 | 1710 | 1.774-34 | 2.500 | 4.875 | EY 6-4-5131-1X |
| 1 | 1710 | 1.774-34 | 2.500 | 4.875 | EY 6-4-5131X |
| M-175 | | | | | |
| 1 | 1480 | 1.774-34 | 2.500 | 4.469 | EY 3-4-8051-1X |
| PR-200, PR-223 | | | | | |
| 1 | 1480 | 1.875-10 | 2.750 | 4.406 | EY 3-4-6671-1X |
| 1 | 1550 | 1.875-10 | 2.750 | 4.406 | EY 4-4-1941 |
| 1 | 1610 | 1.875-10 | 2.750 | 5.000 | EY 5-4-2501 |
| PR-250 | | | | | |
| 1 | 1810 | 2.250-10 | 3.000 | 5.844 | EY 6.5-4-1911 |
| PR-300, PR-400, PR-500 | | | | | |
| 1 | 1480/1550 | 1.960-10 | 2.750 | 3.375 | CF 4-1-2661 |
| 1 | 1710 | 1.960-10 | 2.750 | 3.312 | CF 6-1-1461 |
| 1 | 1610 | 1.960-10 | 2.750 | 5.125 | EY 5-4-5281X |
| 1 | 1710 | 1.960-10 | 2.750 | 5.250 | EY 6-4-4361X |
| 1 | 1710 | 1.960-10 | 2.750 | 6.500 | EY 6-4-4481X <i>High angle yoke</i> |
| 1 | 1810 | 2.250-10 | 3.000 | 5.844 | EY 6.5-4-1911 |
| PS-200 | | | | | |
| 1 | 1480 | 1.875-10 | 2.750 | 4.406 | EY 3-4-6671-1X |
| 1 | 1550 | 1.875-10 | 2.750 | 4.406 | EY 4-4-1941 |
| 1 | 1610 | 1.875-10 | 2.750 | 5.000 | EY 5-4-2501 |
| PS-300 | | | | | |
| 1 | 1480/1550 | 1.960-10 | 2.750 | 3.375 | CF 4-1-2661 |
| 1 | 1710 | 1.960-10 | 2.750 | 3.312 | CF 6-1-1461 |
| 1 | 1610 | 1.960-10 | 2.750 | 5.125 | EY 5-4-5281X |
| 1 | 1710 | 1.960-10 | 2.750 | 5.250 | EY 6-4-4361X |
| 1 | 1710 | 1.960-10 | 2.750 | 6.500 | EY 6-4-4481X <i>High angle yoke</i> |
| 1 | 1810 | 2.250-10 | 3.000 | 5.844 | EY 6.5-4-1911 |
| PS-400, PS-500 | | | | | |
| 1 | 1810 | 2.250-10 | 3.000 | 5.844 | EY 6.5-4-1911 |
| Q-100 | | | | | |
| 1 | 1480 | 1.875-10 | 2.750 | 4.406 | EY 3-4-6671-1X |
| 1 | 1550 | 1.875-10 | 2.750 | 4.406 | EY 4-4-1941 |

| Pos | Series | Spline Data | Hub Dia | * to End of Hub | End Fitting Part Number |
|--|-----------|-------------|---------|-----------------|--|
| Q-100 (Continued) | | | | | |
| 1 | 1610 | 1.875-10 | 2.750 | 5.000 | EY 5-4-2501 |
| 1 | 1610 | 2.024-39 | 3.000 | 5.531 | EY 5-4-6281X |
| 1 | 1610 | 2.024-39 | 3.000 | 6.219 | EY 5-4-6291X <i>High angle yoke</i> |
| 1 | 1610 | 2.024-39 | 3.000 | 4.875 | EY 5-4-6431-1X |
| 1 | 1610 | 2.024-39 | 3.000 | 4.875 | EY 5-4-6431X |
| 1 | 1610 | 2.024-39 | 3.000 | 4.875 | EY 5-4-6441-1X |
| 1 | 1710 | 2.024-39 | 3.000 | 6.250 | EY 6-4-6391-1X <i>High angle yoke</i> |
| 1 | 1710 | 2.024-39 | 3.000 | 6.250 | EY 6-4-6391X <i>High angle yoke</i> |
| 1 | 1710 | 2.024-39 | 3.000 | 5.156 | EY 6-4-6401-1 |
| 1 | 1710 | 2.024-39 | 3.000 | 5.156 | EY 6-4-6421-1X |
| 1 | 1710 | 2.024-39 | 3.000 | 5.156 | EY 6-4-6421X |
| 1 | 1710 | 2.024-39 | 3.000 | 5.156 | EY 6-4-7621-1 |
| 1 | 1710 | 2.024-39 | 3.000 | 5.156 | EY 6-4-7631-1X |
| 1 | 1710 | 2.024-39 | 3.000 | 5.156 | EY 6-4-7641-1X |
| 1 | 1760 | 2.024-39 | 3.000 | 5.188 | EY 6.3-4-1141-1X |
| 1 | 1760 | 2.024-39 | 3.000 | 5.188 | EY 6.3-4-531 |
| 1 | 1760 | 2.024-39 | 3.000 | 5.188 | EY 6.3-4-531-1 |
| 1 | 1760 | 2.024-39 | 3.000 | 5.188 | EY 6.3-4-541-1X |
| 1 | 1760 | 2.024-39 | 3.000 | 5.188 | EY 6.3-4-541X |
| Q-145, Q-200, Q-240, Q-245, Q-300, Q-340, Q-345, Q-360, Q-365, Q-380, Q-390, QT-140, QT-230, QT-240, QT-330 | | | | | |
| 1 | 1480 | 1.875-10 | 2.750 | 4.406 | EY 3-4-6671-1X |
| 1 | 1550 | 1.875-10 | 2.750 | 4.406 | EY 4-4-1941 |
| 1 | 1610 | 1.875-10 | 2.750 | 5.000 | EY 5-4-2501 |
| QT-340 | | | | | |
| 1 | 1550 | 1.875-10 | 2.750 | 4.406 | EY 4-4-1941 |
| 1 | 1610 | 1.875-10 | 2.750 | 5.000 | EY 5-4-2501 |
| R-100 | | | | | |
| 1 | 1480/1550 | 1.960-10 | 2.750 | 3.375 | CF 4-1-2661 |
| 1 | 1710 | 1.960-10 | 2.750 | 3.312 | CF 6-1-1461 |
| 1 | 1710 | 1.960-10 | 2.750 | 5.250 | EY 6-4-4361X |
| 1 | 1710 | 1.960-10 | 2.750 | 6.500 | EY 6-4-4481X <i>High angle yoke</i> |
| R-140 | | | | | |
| 1 | 1480/1550 | 1.960-10 | 2.750 | 3.375 | CF 4-1-2661 |
| 1 | 1710 | 1.960-10 | 2.750 | 3.312 | CF 6-1-1461 |
| 1 | 1610 | 1.960-10 | 2.750 | 5.125 | EY 5-4-5281X |
| 1 | 1710 | 1.960-10 | 2.750 | 5.250 | EY 6-4-4361X |
| 1 | 1710 | 1.960-10 | 2.750 | 6.500 | EY 6-4-4481X <i>High angle yoke</i> |
| R-143 | | | | | |
| 1 | 1810 | 2.024-39 | 2.750 | 5.625 | EY 6.5-4-2781-1 |
| 1 | 1810 | 2.024-39 | 2.750 | 5.625 | EY 6.5-4-3571-1X |

*C/L to End of Hub for EY (End Yoke); Flange Face to End of Hub for CF (Companion Flange)

■ Hub machined for speedometer gear



| Pos | Series | Spline Data | Hub Dia | * to End of Hub | End Fitting Part Number |
|--------------|--------|-------------|---------|-----------------|-------------------------|
| R-144 | | | | | |
| 1 | SPL140 | 2.024-39 | 2.750 | 5.250 | EY 140-4-1421-1 |
| 1 | SPL140 | 2.024-39 | 2.750 | 5.250 | EY 140-4-1431-1X |
| 1 | 1710 | 2.024-39 | 2.750 | 5.250 | EY 6-4-5521-1 |
| 1 | 1810 | 2.024-39 | 2.750 | 5.625 | EY 6.5-4-2781-1 |
| 1 | 1810 | 2.024-39 | 2.750 | 5.625 | EY 6.5-4-3571-1X |

| | | | | | |
|--------------|--------|----------|-------|-------|--|
| R-155 | | | | | |
| 1 | SPL140 | 2.024-39 | 2.750 | 5.250 | EY 140-4-1421-1 |
| 1 | SPL140 | 2.024-39 | 2.750 | 5.250 | EY 140-4-1431-1X |
| 1 | 1610 | 2.024-39 | 2.750 | 5.125 | EY 5-4-5421 |
| 1 | 1610 | 2.024-39 | 2.750 | 5.938 | EY 5-4-5441 <i>High angle yoke</i> |
| 1 | 1610 | 2.024-39 | 2.750 | 5.125 | EY 5-4-6951X |
| 1 | 1610 | 2.024-39 | 2.750 | 5.938 | EY 5-4-6961X <i>High angle yoke</i> |
| 1 | 1710 | 2.024-39 | 2.750 | 6.500 | EY 6-4-5501 |
| 1 | 1710 | 2.024-39 | 2.750 | 6.500 | EY 6-4-5501-1 <i>High angle yoke</i> |
| 1 | 1710 | 2.024-39 | 2.750 | 5.250 | EY 6-4-5521 |
| 1 | 1710 | 2.024-39 | 2.750 | 5.250 | EY 6-4-5521-1 |
| 1 | 1710 | 2.024-39 | 2.750 | 6.500 | EY 6-4-6871-1X <i>High angle yoke</i> |
| 1 | 1710 | 2.024-39 | 2.750 | 6.500 | EY 6-4-6871X |
| 1 | 1710 | 2.024-39 | 2.750 | 5.250 | EY 6-4-6951-1X |
| 1 | 1710 | 2.024-39 | 2.750 | 5.250 | EY 6-4-6951X |
| 1 | 1810 | 2.024-39 | 2.750 | 5.531 | EY 6.5-4-2781 |
| 1 | 1810 | 2.024-39 | 2.750 | 5.625 | EY 6.5-4-2781-1 |
| 1 | 1810 | 2.024-39 | 2.750 | 5.625 | EY 6.5-4-3571-1X |
| 1 | 1810 | 2.024-39 | 2.750 | 5.531 | EY 6.5-4-3571X |

| | | | | | |
|--------------|-----------|----------|-------|-------|--|
| R-160 | | | | | |
| 1 | 1480/1550 | 1.960-10 | 2.750 | 3.375 | CF 4-1-2661 |
| 1 | 1710 | 1.960-10 | 2.750 | 3.312 | CF 6-1-1461 |
| 1 | 1610 | 1.960-10 | 2.750 | 5.125 | EY 5-4-5281X |
| 1 | 1710 | 1.960-10 | 2.750 | 5.250 | EY 6-4-4361X |
| 1 | 1710 | 1.960-10 | 2.750 | 6.500 | EY 6-4-4481X <i>High angle yoke</i> |

| | | | | | |
|---------------------|------|----------|-------|-------|--|
| R-170, R-180 | | | | | |
| 1 | 1710 | 2.250-10 | 3.000 | 3.750 | CF 6-1-1421 .250 deep counterbore at hub end |
| 1 | 1810 | 2.250-10 | 3.000 | 3.750 | CF 6.5-1-211 .250 deep counterbore at hub end |
| 1 | 1650 | 2.250-10 | 3.000 | 5.625 | EY 5-4-6891X |
| 1 | 1710 | 2.250-10 | 3.000 | 6.062 | EY 6-4-1991 |
| 1 | 1710 | 2.250-10 | 3.000 | 6.062 | EY 6-4-4411-1X |
| 1 | 1710 | 2.250-10 | 3.000 | 6.062 | EY 6-4-4411X |
| 1 | 1710 | 2.250-10 | 3.000 | 7.188 | EY 6-4-6891X <i>High angle yoke</i> |
| 1 | 1760 | 2.250-10 | 3.000 | 5.844 | EY 6.3-4-731X |
| 1 | 1810 | 2.250-10 | 3.000 | 5.844 | EY 6.5-4-2551X |

| | | | | | |
|--------------|-----------|----------|-------|-------|--|
| R-200 | | | | | |
| 1 | 1480/1550 | 1.960-10 | 2.750 | 3.375 | CF 4-1-2661 |
| 1 | 1710 | 1.960-10 | 2.750 | 3.312 | CF 6-1-1461 |
| 1 | 1610 | 1.960-10 | 2.750 | 5.125 | EY 5-4-5281X |
| 1 | 1710 | 1.960-10 | 2.750 | 5.250 | EY 6-4-4361X |
| 1 | 1710 | 1.960-10 | 2.750 | 6.500 | EY 6-4-4481X <i>High angle yoke</i> |
| 1 | 1810 | 2.024-39 | 2.750 | 5.625 | EY 6.5-4-2781-1 |
| 1 | 1810 | 2.024-39 | 2.750 | 5.625 | EY 6.5-4-3571-1X |

| Pos | Series | Spline Data | Hub Dia | * to End of Hub | End Fitting Part Number |
|----------------------------|-----------|-------------|---------|-----------------|--|
| R-220, R-230, R-240 | | | | | |
| 1 | 1480/1550 | 1.960-10 | 2.750 | 3.375 | CF 4-1-2661 |
| 1 | 1710 | 1.960-10 | 2.750 | 3.312 | CF 6-1-1461 |
| 1 | 1610 | 1.960-10 | 2.750 | 5.125 | EY 5-4-5281X |
| 1 | 1710 | 1.960-10 | 2.750 | 5.250 | EY 6-4-4361X |
| 1 | 1710 | 1.960-10 | 2.750 | 6.500 | EY 6-4-4481X <i>High angle yoke</i> |

| | | | | | |
|--------------|------|----------|-------|-------|--|
| R-255 | | | | | |
| 1 | 1610 | 2.024-39 | 2.750 | 5.125 | EY 5-4-6951X |
| 1 | 1610 | 2.024-39 | 2.750 | 5.938 | EY 5-4-6961X <i>High angle yoke</i> |
| 1 | 1710 | 2.024-39 | 2.750 | 6.500 | EY 6-4-6871X |
| 1 | 1710 | 2.024-39 | 2.750 | 4.812 | EY 6-4-6941X |
| 1 | 1710 | 2.024-39 | 2.750 | 5.250 | EY 6-4-6951-1X |
| 1 | 1710 | 2.024-39 | 2.750 | 5.250 | EY 6-4-6951X |
| 1 | 1810 | 2.024-39 | 2.750 | 5.625 | EY 6.5-4-2781-1 |
| 1 | 1810 | 2.024-39 | 2.750 | 5.625 | EY 6.5-4-3571-1X |
| 1 | 1810 | 2.024-39 | 2.750 | 5.531 | EY 6.5-4-3571X |

| | | | | | |
|--------------|------|----------|-------|-------|--|
| R-270 | | | | | |
| 1 | 1610 | 2.024-39 | 3.000 | 5.531 | EY 5-4-6281X |
| 1 | 1710 | 2.024-39 | 3.000 | 6.250 | EY 6-4-6391-1X <i>High angle yoke</i> |
| 1 | 1710 | 2.024-39 | 3.000 | 6.250 | EY 6-4-6391X <i>High angle yoke</i> |
| 1 | 1710 | 2.024-39 | 3.000 | 5.156 | EY 6-4-6411X |
| 1 | 1710 | 2.024-39 | 3.000 | 5.156 | EY 6-4-6421-1X |
| 1 | 1710 | 2.024-39 | 3.000 | 5.156 | EY 6-4-6421X |
| 1 | 1710 | 2.024-39 | 3.000 | 5.156 | EY 6-4-7631-1X |
| 1 | 1760 | 2.024-39 | 3.000 | 5.188 | EY 6.3-4-541-1X |
| 1 | 1760 | 2.024-39 | 3.000 | 5.188 | EY 6.3-4-541X |
| 1 | 1810 | 2.024-39 | 3.000 | 5.190 | EY 6.5-4-3381-1X |
| 1 | 1810 | 2.024-39 | 3.000 | 5.190 | EY 6.5-4-3381X |

| | | | | | |
|--------------|-----------|----------|-------|-------|--|
| R-300 | | | | | |
| 1 | 1480/1550 | 1.960-10 | 2.750 | 3.375 | CF 4-1-2661 |
| 1 | 1710 | 1.960-10 | 2.750 | 3.312 | CF 6-1-1461 |
| 1 | 1610 | 1.960-10 | 2.750 | 5.125 | EY 5-4-5281X |
| 1 | 1710 | 1.960-10 | 2.750 | 5.250 | EY 6-4-4361X |
| 1 | 1710 | 1.960-10 | 2.750 | 6.500 | EY 6-4-4481X <i>High angle yoke</i> |
| 1 | 1810 | 2.024-39 | 2.750 | 5.625 | EY 6.5-4-2781-1 |
| 1 | 1810 | 2.024-39 | 2.750 | 5.625 | EY 6.5-4-3571-1X |

| | | | | | |
|---------------------|-----------|----------|-------|-------|--|
| R-330, R-340 | | | | | |
| 1 | 1480/1550 | 1.960-10 | 2.750 | 3.375 | CF 4-1-2661 |
| 1 | 1710 | 1.960-10 | 2.750 | 3.312 | CF 6-1-1461 |
| 1 | 1610 | 1.960-10 | 2.750 | 5.125 | EY 5-4-5281X |
| 1 | 1710 | 1.960-10 | 2.750 | 5.250 | EY 6-4-4361X |
| 1 | 1710 | 1.960-10 | 2.750 | 6.500 | EY 6-4-4481X <i>High angle yoke</i> |

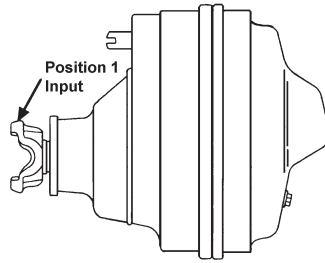
| | | | | | |
|--------------|------|----------|-------|-------|------------------|
| R-355 | | | | | |
| 1 | 1610 | 2.024-39 | 2.750 | 5.125 | EY 5-4-6951X |
| 1 | 1710 | 2.024-39 | 2.750 | 6.500 | EY 6-4-6871X |
| 1 | 1710 | 2.024-39 | 2.750 | 4.812 | EY 6-4-6941X |
| 1 | 1710 | 2.024-39 | 2.750 | 5.250 | EY 6-4-6951X |
| 1 | 1810 | 2.024-39 | 2.750 | 5.625 | EY 6.5-4-2781-1 |
| 1 | 1810 | 2.024-39 | 2.750 | 5.625 | EY 6.5-4-3571-1X |
| 1 | 1810 | 2.024-39 | 2.750 | 5.531 | EY 6.5-4-3571X |

*C/L to End of Hub for EY (End Yoke); Flange Face to End of Hub for CF (Companion Flange)

■ Hub machined for speedometer gear



Important: See Safety Information in General Information Section (J300P-GI)



| Pos | Series | Spline Data | Hub Dia | * to End of Hub | End Fitting Part Number |
|-----------------|--------|-------------|---------|-----------------|--|
| RF**-145 | | | | | |
| 1 | 1610 | 2.024-39 | 3.000 | 5.531 | EY 5-4-6281X |
| 1 | 1610 | 2.024-39 | 3.000 | 6.219 | EY 5-4-6291X <i>High angle yoke</i> |
| 1 | 1610 | 2.024-39 | 3.000 | 4.875 | EY 5-4-6441-1X |
| 1 | 1710 | 2.024-39 | 3.000 | 6.250 | EY 6-4-6391-1X <i>High angle yoke</i> |
| 1 | 1710 | 2.024-39 | 3.000 | 6.250 | EY 6-4-6391X <i>High angle yoke</i> |
| 1 | 1710 | 2.024-39 | 3.000 | 5.156 | EY 6-4-6421-1X |
| 1 | 1710 | 2.024-39 | 3.000 | 5.156 | EY 6-4-6421X |
| 1 | 1710 | 2.024-39 | 3.000 | 5.156 | EY 6-4-7621-1 |
| 1 | 1710 | 2.024-39 | 3.000 | 5.156 | EY 6-4-7631-1X |
| 1 | 1710 | 2.024-39 | 3.000 | 5.156 | EY 6-4-7641-1X |
| 1 | 1760 | 2.024-39 | 3.000 | 5.188 | EY 6.3-4-541X |

| | | | | | |
|---------------------------|--------|----------|-------|-------|--|
| RF**-155, RF**-156 | | | | | |
| 1 | SPL140 | 2.024-39 | 2.750 | 5.250 | EY 140-4-1421-1 |
| 1 | SPL140 | 2.024-39 | 2.750 | 5.250 | EY 140-4-1431-1X |
| 1 | 1610 | 2.024-39 | 2.750 | 5.938 | EY 5-4-6961X <i>High angle yoke</i> |
| 1 | 1710 | 2.024-39 | 2.750 | 6.500 | EY 6-4-5501 |
| 1 | 1710 | 2.024-39 | 2.750 | 6.500 | EY 6-4-5501-1 <i>High angle yoke</i> |
| 1 | 1710 | 2.024-39 | 2.750 | 5.250 | EY 6-4-5521 |
| 1 | 1710 | 2.024-39 | 2.750 | 5.250 | EY 6-4-5521-1 |
| 1 | 1710 | 2.024-39 | 2.750 | 6.500 | EY 6-4-6871-1X <i>High angle yoke</i> |
| 1 | 1710 | 2.024-39 | 2.750 | 6.500 | EY 6-4-6871X |
| 1 | 1710 | 2.024-39 | 2.750 | 5.250 | EY 6-4-6951-1X |
| 1 | 1710 | 2.024-39 | 2.750 | 5.250 | EY 6-4-6951X |
| 1 | 1810 | 2.024-39 | 2.750 | 5.125 | EY 5-4-5421 |
| 1 | 1810 | 2.024-39 | 2.750 | 5.938 | EY 5-4-5441 <i>High angle yoke</i> |
| 1 | 1810 | 2.024-39 | 2.750 | 5.125 | EY 5-4-6951X |
| 1 | 1810 | 2.024-39 | 2.750 | 5.531 | EY 6.5-4-2781 |
| 1 | 1810 | 2.024-39 | 2.750 | 5.625 | EY 6.5-4-2781-1 |
| 1 | 1810 | 2.024-39 | 2.750 | 5.625 | EY 6.5-4-3571-1X |
| 1 | 1810 | 2.024-39 | 2.750 | 5.531 | EY 6.5-4-3571X |

| | | | | | |
|-----------------|------|----------|-------|-------|------------------|
| RF**-160 | | | | | |
| 1 | 1610 | 2.390-46 | 3.250 | 4.938 | EY 5-4-7341-1X |
| 1 | 1710 | 2.390-46 | 3.250 | 5.391 | EY 6-4-7181-1X |
| 1 | 1710 | 2.390-46 | 3.250 | 5.391 | EY 6-4-7181X |
| 1 | 1760 | 2.390-46 | 3.250 | 5.062 | EY 6.3-4-1041-1X |
| 1 | 1760 | 2.390-46 | 3.250 | 5.062 | EY 6.3-4-1041X |
| 1 | 1810 | 2.390-46 | 3.250 | 5.156 | EY 6.5-4-3731-1X |

| | | | | | |
|-----------------|------|----------|-------|-------|------------------|
| RF**-180 | | | | | |
| 1 | 1710 | 2.374-46 | 3.250 | 5.938 | EY 6-4-6961-1X |
| 1 | 1760 | 2.374-46 | 3.250 | 5.625 | EY 6.3-4-861-1X |
| 1 | 1760 | 2.374-46 | 3.250 | 5.625 | EY 6.3-4-861X |
| 1 | 1810 | 2.374-46 | 3.250 | 5.688 | EY 6.5-4-3581-1X |

| Pos | Series | Spline Data | Hub Dia | * to End of Hub | End Fitting Part Number |
|-----------------|--------|-------------|---------|-----------------|--|
| RF**-355 | | | | | |
| 1 | SPL140 | 2.024-39 | 2.750 | 5.250 | EY 140-4-1421-1 |
| 1 | SPL140 | 2.024-39 | 2.750 | 5.250 | EY 140-4-1431-1X |
| 1 | 1610 | 2.024-39 | 2.750 | 5.938 | EY 5-4-6961X <i>High angle yoke</i> |
| 1 | 1710 | 2.024-39 | 2.750 | 6.500 | EY 6-4-5501 |
| 1 | 1710 | 2.024-39 | 2.750 | 6.500 | EY 6-4-5501-1 <i>High angle yoke</i> |
| 1 | 1710 | 2.024-39 | 2.750 | 5.250 | EY 6-4-5521 |
| 1 | 1710 | 2.024-39 | 2.750 | 5.250 | EY 6-4-5521-1 |
| 1 | 1710 | 2.024-39 | 2.750 | 6.500 | EY 6-4-6871-1X <i>High angle yoke</i> |
| 1 | 1710 | 2.024-39 | 2.750 | 6.500 | EY 6-4-6871X |
| 1 | 1710 | 2.024-39 | 2.750 | 5.250 | EY 6-4-6951-1X |
| 1 | 1710 | 2.024-39 | 2.750 | 5.250 | EY 6-4-6951X |
| 1 | 1810 | 2.024-39 | 2.750 | 5.125 | EY 5-4-5421 |
| 1 | 1810 | 2.024-39 | 2.750 | 5.938 | EY 5-4-5441 <i>High angle yoke</i> |
| 1 | 1810 | 2.024-39 | 2.750 | 5.125 | EY 5-4-6951X |
| 1 | 1810 | 2.024-39 | 2.750 | 5.531 | EY 6.5-4-2781 |
| 1 | 1810 | 2.024-39 | 2.750 | 5.625 | EY 6.5-4-2781-1 |
| 1 | 1810 | 2.024-39 | 2.750 | 5.625 | EY 6.5-4-3571-1X |
| 1 | 1810 | 2.024-39 | 2.750 | 5.531 | EY 6.5-4-3571X |

| | | | | | |
|-----------------|------|----------|-------|-------|---|
| RF**-356 | | | | | |
| 1 | 1710 | 2.024-39 | 2.750 | 6.500 | EY 6-4-5501-1 <i>High angle yoke</i> |

| | | | | | |
|---------------|------|----------|-------|-------|--|
| RL-170 | | | | | |
| 1 | 1710 | 2.250-10 | 3.000 | 3.750 | CF 6-1-1421 .250 deep counterbore at hub end |
| 1 | 1810 | 2.250-10 | 3.000 | 3.750 | CF 6.5-1-211 .250 deep counterbore at hub end |
| 1 | 1650 | 2.250-10 | 3.000 | 5.625 | EY 5-4-6891X |
| 1 | 1710 | 2.250-10 | 3.000 | 6.062 | EY 6-4-4411-1X |
| 1 | 1710 | 2.250-10 | 3.000 | 6.062 | EY 6-4-4411X |
| 1 | 1710 | 2.250-10 | 3.000 | 7.188 | EY 6-4-6891X <i>High angle yoke</i> |
| 1 | 1760 | 2.250-10 | 3.000 | 5.844 | EY 6.3-4-731X |

| | | | | | |
|-------------------------------------|--------|----------|-------|-------|---|
| RS**-120, RS**-125, RS**-140 | | | | | |
| 1 | SPL140 | 1.774-34 | 2.500 | 4.950 | EY 140-4-251-1 |
| 1 | SPL140 | 1.774-34 | 2.500 | 4.950 | EY 140-4-261-1X |
| 1 | SPL90 | 1.774-34 | 2.500 | 4.110 | EY 90-4-751-1 |
| 1 | SPL90 | 1.774-34 | 2.500 | 4.110 | EY 90-4-761-1X |
| 1 | 1410 | 1.774-34 | 2.500 | 4.469 | EY 3-4-7541-1 |
| 1 | 1410 | 1.774-34 | 2.500 | 4.188 | EY 3-4-7551 |
| 1 | 1410 | 1.774-34 | 2.500 | 4.188 | EY 3-4-7551-1 |
| 1 | 1410 | 1.774-34 | 2.500 | 4.188 | EY 3-4-8061X |
| 1 | 1480 | 1.774-34 | 2.500 | 4.469 | EY 3-4-8051-1X |
| 1 | 1480 | 1.774-34 | 2.500 | 4.188 | EY 3-4-8061-1X |
| 1 | 1550 | 1.774-34 | 2.500 | 4.700 | EY 4-4-4101-1 |
| 1 | 1550 | 1.774-34 | 2.500 | 4.700 | EY 4-4-4101-2 <i>Attaching hardware by OEM</i> |

*C/L to End of Hub for EY (End Yoke); Flange Face to End of Hub for CF (Companion Flange)

■ Hub machined for speedometer gear



| Pos | Series | Spline Data | Hub Dia | * to End of Hub | End Fitting Part Number |
|--|--------|-------------|---------|-----------------|-------------------------|
| RS-**-120, RS-**-125, RS-**-140 (Continued) | | | | | |
| 1 | 1550 | 1.774-34 | 2.500 | 4.700 | EY 4-4-4111-1X |
| 1 | 1610 | 1.774-34 | 2.500 | 4.875 | EY 5-4-5571-1 |
| 1 | 1610 | 1.774-34 | 2.500 | 4.875 | EY 5-4-5621-1X |
| 1 | 1710 | 1.774-34 | 2.500 | 4.875 | EY 6-4-5131-1X |
| 1 | 1710 | 1.774-34 | 2.500 | 4.875 | EY 6-4-5131X |
| 1 | 1710 | 1.774-34 | 2.500 | 4.875 | EY 6-4-6331 |
| 1 | 1710 | 1.774-34 | 2.500 | 4.875 | EY 6-4-6331-1 |

| Pos | Series | Spline Data | Hub Dia | * to End of Hub | End Fitting Part Number |
|------------------|--------|-------------|---------|-----------------|-------------------------|
| RS-**-144 | | | | | |
| 1 | SPL140 | 2.024-39 | 3.000 | 5.680 | EY 140-4-211-1 |
| 1 | SPL140 | 2.024-39 | 3.000 | 5.680 | EY 140-4-231-1X |
| 1 | SPL170 | 2.024-39 | 3.000 | 5.090 | EY 170-4-641-1 |
| 1 | SPL170 | 2.024-39 | 3.000 | 5.090 | EY 170-4-651-1X |
| 1 | SPL170 | 2.024-39 | 3.000 | 6.391 | EY 170-4-661-1 |
| | | | | | <i>High angle yoke</i> |
| 1 | SPL170 | 2.024-39 | 3.000 | 6.391 | EY 170-4-671-1X |
| | | | | | <i>High angle yoke</i> |
| 1 | SPL90 | 2.024-39 | 3.000 | 4.625 | EY 90-4-311-1 |
| 1 | SPL90 | 2.024-39 | 3.000 | 4.625 | EY 90-4-321-1X |
| 1 | 1480 | 2.024-39 | 3.000 | 4.281 | EY 3-4-8861 |
| 1 | 1480 | 2.024-39 | 3.000 | 4.281 | EY 3-4-8871X |
| 1 | 1550 | 2.024-39 | 3.000 | 5.000 | EY 4-4-5261-1 |
| 1 | 1550 | 2.024-39 | 3.000 | 5.000 | EY 4-4-6731-1X |
| 1 | 1610 | 2.024-39 | 3.000 | 6.219 | EY 5-4-6241 |
| | | | | | <i>High angle yoke</i> |
| 1 | 1610 | 2.024-39 | 3.000 | 6.219 | EY 5-4-6241-1 |
| | | | | | <i>High angle yoke</i> |
| 1 | 1610 | 2.024-39 | 3.000 | 5.531 | EY 5-4-6271 |
| 1 | 1610 | 2.024-39 | 3.000 | 5.531 | EY 5-4-6281X |
| 1 | 1610 | 2.024-39 | 3.000 | 6.219 | EY 5-4-6291-1X |
| | | | | | <i>High angle yoke</i> |
| 1 | 1610 | 2.024-39 | 3.000 | 6.219 | EY 5-4-6291X |
| | | | | | <i>High angle yoke</i> |
| 1 | 1610 | 2.024-39 | 3.000 | 4.875 | EY 5-4-6421-1 |
| 1 | 1610 | 2.024-39 | 3.000 | 4.875 | EY 5-4-6441-1X |
| 1 | 1710 | 2.024-39 | 3.000 | 6.250 | EY 6-4-6371 |
| | | | | | <i>High angle yoke</i> |
| 1 | 1710 | 2.024-39 | 3.000 | 6.250 | EY 6-4-6371-1 |
| | | | | | <i>High angle yoke</i> |
| 1 | 1710 | 2.024-39 | 3.000 | 6.250 | EY 6-4-6391-1X |
| | | | | | <i>High angle yoke</i> |
| 1 | 1710 | 2.024-39 | 3.000 | 6.250 | EY 6-4-6391X |
| | | | | | <i>High angle yoke</i> |
| 1 | 1710 | 2.024-39 | 3.000 | 5.156 | EY 6-4-6401 |
| 1 | 1710 | 2.024-39 | 3.000 | 5.156 | EY 6-4-6401-1 |
| 1 | 1710 | 2.024-39 | 3.000 | 5.156 | EY 6-4-6421-1X |
| 1 | 1710 | 2.024-39 | 3.000 | 5.156 | EY 6-4-6421X |
| 1 | 1710 | 2.024-39 | 3.000 | 5.156 | EY 6-4-7621-1 |
| 1 | 1760 | 2.024-39 | 3.000 | 5.188 | EY 6-3-4-1141-1X |
| 1 | 1760 | 2.024-39 | 3.000 | 5.188 | EY 6-3-4-531 |
| 1 | 1760 | 2.024-39 | 3.000 | 5.188 | EY 6-3-4-531-1 |
| 1 | 1810 | 2.024-39 | 3.000 | 5.190 | EY 6-5-4-3371 |
| 1 | 1810 | 2.024-39 | 3.000 | 5.190 | EY 6-5-4-3371-1 |

| Pos | Series | Spline Data | Hub Dia | * to End of Hub | End Fitting Part Number |
|------------------|--------|-------------|---------|-----------------|-------------------------|
| RS-**-145 | | | | | |
| 1 | SPL140 | 2.024-39 | 3.000 | 5.680 | EY 140-4-211-1 |
| 1 | SPL140 | 2.024-39 | 3.000 | 5.680 | EY 140-4-231-1X |
| 1 | SPL170 | 2.024-39 | 3.000 | 5.090 | EY 170-4-641-1 |
| 1 | SPL170 | 2.024-39 | 3.000 | 5.090 | EY 170-4-651-1X |
| 1 | SPL170 | 2.024-39 | 3.000 | 6.391 | EY 170-4-661-1 |
| | | | | | <i>High angle yoke</i> |
| 1 | SPL170 | 2.024-39 | 3.000 | 6.391 | EY 170-4-671-1X |
| | | | | | <i>High angle yoke</i> |

| Pos | Series | Spline Data | Hub Dia | * to End of Hub | End Fitting Part Number |
|------------------------------|--------|-------------|---------|-----------------|-------------------------|
| RS-**-145 (Continued) | | | | | |
| 1 | SPL90 | 2.024-39 | 3.000 | 4.625 | EY 90-4-311-1 |
| 1 | SPL90 | 2.024-39 | 3.000 | 4.625 | EY 90-4-321-1X |
| 1 | 1480 | 2.024-39 | 3.000 | 4.281 | EY 3-4-8861 |
| 1 | 1480 | 2.024-39 | 3.000 | 4.281 | EY 3-4-8871X |
| 1 | 1550 | 2.024-39 | 3.000 | 5.000 | EY 4-4-5261-1 |
| 1 | 1550 | 2.024-39 | 3.000 | 5.000 | EY 4-4-6731-1X |
| 1 | 1610 | 2.024-39 | 3.000 | 6.219 | EY 5-4-6241 |
| | | | | | <i>High angle yoke</i> |
| 1 | 1610 | 2.024-39 | 3.000 | 6.219 | EY 5-4-6241-1 |
| | | | | | <i>High angle yoke</i> |
| 1 | 1610 | 2.024-39 | 3.000 | 5.531 | EY 5-4-6271 |
| 1 | 1610 | 2.024-39 | 3.000 | 5.531 | EY 5-4-6281X |
| 1 | 1610 | 2.024-39 | 3.000 | 6.219 | EY 5-4-6291-1X |
| | | | | | <i>High angle yoke</i> |
| 1 | 1610 | 2.024-39 | 3.000 | 6.219 | EY 5-4-6291X |
| | | | | | <i>High angle yoke</i> |
| 1 | 1610 | 2.024-39 | 3.000 | 4.875 | EY 5-4-6421-1 |
| 1 | 1610 | 2.024-39 | 3.000 | 4.875 | EY 5-4-6441-1X |
| 1 | 1710 | 2.024-39 | 3.000 | 6.250 | EY 6-4-6371 |
| | | | | | <i>High angle yoke</i> |
| 1 | 1710 | 2.024-39 | 3.000 | 6.250 | EY 6-4-6371-1 |
| | | | | | <i>High angle yoke</i> |
| 1 | 1710 | 2.024-39 | 3.000 | 6.250 | EY 6-4-6391-1X |
| | | | | | <i>High angle yoke</i> |
| 1 | 1710 | 2.024-39 | 3.000 | 6.250 | EY 6-4-6391X |
| | | | | | <i>High angle yoke</i> |
| 1 | 1710 | 2.024-39 | 3.000 | 5.156 | EY 6-4-6401 |
| 1 | 1710 | 2.024-39 | 3.000 | 5.156 | EY 6-4-6401-1 |
| 1 | 1710 | 2.024-39 | 3.000 | 5.156 | EY 6-4-6421-1X |
| 1 | 1710 | 2.024-39 | 3.000 | 5.156 | EY 6-4-6421X |
| 1 | 1710 | 2.024-39 | 3.000 | 5.156 | EY 6-4-7621-1 |
| 1 | 1760 | 2.024-39 | 3.000 | 5.188 | EY 6-3-4-1141-1X |
| 1 | 1760 | 2.024-39 | 3.000 | 5.188 | EY 6-3-4-531 |
| 1 | 1760 | 2.024-39 | 3.000 | 5.188 | EY 6-3-4-531-1 |
| 1 | 1810 | 2.024-39 | 3.000 | 5.190 | EY 6-5-4-3371 |
| 1 | 1810 | 2.024-39 | 3.000 | 5.190 | EY 6-5-4-3371-1 |
| 1 | 1810 | 2.024-39 | 3.000 | 5.190 | EY 6-5-4-3381-1X |
| 1 | 1810 | 2.024-39 | 3.000 | 5.190 | EY 6-5-4-3381X |

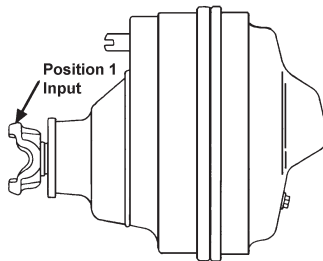
| Pos | Series | Spline Data | Hub Dia | * to End of Hub | End Fitting Part Number |
|------------------|--------|-------------|---------|-----------------|-------------------------|
| RS-**-160 | | | | | |
| 1 | SPL140 | 2.390-46 | 3.250 | 5.660 | EY 140-4-301-1 |
| 1 | SPL140 | 2.390-46 | 3.250 | 5.660 | EY 140-4-311-1X |
| 1 | SPL170 | 2.390-46 | 3.250 | 5.100 | EY 170-4-711-1 |
| 1 | SPL170 | 2.390-46 | 3.250 | 5.100 | EY 170-4-721-1X |
| 1 | SPL170 | 2.390-46 | 3.250 | 6.438 | EY 170-4-731-1 |
| 1 | SPL170 | 2.390-46 | 3.250 | 6.438 | EY 170-4-741-1X |
| | | | | | <i>High angle yoke</i> |
| 1 | SPL250 | 2.390-46 | 3.250 | 5.312 | EY 250-4-341-1 |
| 1 | SPL250 | 2.390-46 | 3.250 | 5.312 | EY 250-4-351-1X |
| 1 | SPL90 | 2.390-46 | 3.250 | 4.641 | EY 90-4-331-1 |
| 1 | SPL90 | 2.390-46 | 3.250 | 4.641 | EY 90-4-341-1X |
| 1 | 1610 | 2.390-46 | 3.250 | 4.938 | EY 5-4-7331-1 |
| 1 | 1610 | 2.390-46 | 3.250 | 4.938 | EY 5-4-7341-1X |
| 1 | 1710 | 2.390-46 | 3.250 | 5.391 | EY 6-4-7161 |
| 1 | 1710 | 2.390-46 | 3.250 | 5.391 | EY 6-4-7161-1 |
| 1 | 1710 | 2.390-46 | 3.250 | 5.391 | EY 6-4-7181-1X |
| 1 | 1710 | 2.390-46 | 3.250 | 5.391 | EY 6-4-7181X |
| 1 | 1710 | 2.390-46 | 3.250 | 6.500 | EY 6-4-7761 |
| | | | | | <i>High angle yoke</i> |

Continued on next page

*C/L to End of Hub for EY (End Yoke); Flange Face to End of Hub for CF (Companion Flange)

■ Hub machined for speedometer gear





| Pos | Series | Spline Data | Hub Dia | * to End of Hub | End Fitting Part Number |
|-----|--------|-------------|---------|-----------------|-------------------------|
|-----|--------|-------------|---------|-----------------|-------------------------|

RS--160 (Continued)**

| | | | | | |
|---|------|----------|-------|-------|--|
| 1 | 1710 | 2.390-46 | 3.250 | 6.500 | EY 6-4-7761-1 <i>High angle yoke</i> |
| 1 | 1710 | 2.390-46 | 3.250 | 6.500 | EY 6-4-7771-1X <i>High angle yoke</i> |
| 1 | 1710 | 2.390-46 | 3.250 | 6.500 | EY 6-4-7771X <i>High angle yoke</i> |
| 1 | 1760 | 2.390-46 | 3.250 | 5.062 | EY 6.3-4-1031 |
| 1 | 1760 | 2.390-46 | 3.250 | 5.062 | EY 6.3-4-1031-1 |
| 1 | 1760 | 2.390-46 | 3.250 | 5.062 | EY 6.3-4-1041-1X |
| 1 | 1760 | 2.390-46 | 3.250 | 5.062 | EY 6.3-4-1041X |
| 1 | 1810 | 2.390-46 | 3.250 | 5.156 | EY 6.5-4-3721 |
| 1 | 1810 | 2.390-46 | 3.250 | 5.156 | EY 6.5-4-3721-1 |
| 1 | 1810 | 2.390-46 | 3.250 | 5.156 | EY 6.5-4-3731-1X |
| 1 | 1810 | 2.390-46 | 3.250 | 5.156 | EY 6.5-4-3731X |

RS--180**

| | | | | | |
|---|--------|----------|-------|-------|---|
| 1 | SPL140 | 2.374-46 | 3.250 | 6.210 | EY 140-4-271-1 |
| 1 | SPL140 | 2.374-46 | 3.250 | 6.210 | EY 140-4-291-1X |
| 1 | SPL170 | 2.374-46 | 3.250 | 5.760 | EY 170-4-571-1 |
| 1 | SPL170 | 2.374-46 | 3.250 | 5.760 | EY 170-4-591-1X |
| 1 | SPL170 | 2.374-46 | 3.250 | 7.250 | EY 170-4-601-1 <i>High angle yoke</i> |
| 1 | SPL170 | 2.374-46 | 3.250 | 7.250 | EY 170-4-611-1X <i>High angle yoke</i> |
| 1 | SPL170 | 2.390-46 | 3.250 | 6.438 | EY 170-4-741-1X <i>High angle yoke</i> |
| 1 | SPL250 | 2.374-46 | 3.250 | 5.870 | EY 250-4-281-1 |
| 1 | SPL250 | 2.374-46 | 3.250 | 5.870 | EY 250-4-301-1X |
| 1 | SPL90 | 2.374-46 | 3.250 | 5.188 | EY 90-4-351-1 |
| 1 | SPL90 | 2.374-46 | 3.250 | 5.188 | EY 90-4-361-1X |
| 1 | 1610 | 2.374-46 | 3.250 | 4.547 | EY 5-4-7351-1 |
| 1 | 1610 | 2.374-46 | 3.250 | 4.547 | EY 5-4-7361-1X |
| 1 | 1710 | 2.374-46 | 3.250 | 5.938 | EY 6-4-5931 |
| 1 | 1710 | 2.374-46 | 3.250 | 5.938 | EY 6-4-5931-1 |
| 1 | 1710 | 2.374-46 | 3.250 | 5.938 | EY 6-4-6961-1X |
| 1 | 1710 | 2.374-46 | 3.250 | 5.938 | EY 6-4-6961X |
| 1 | 1710 | 2.374-46 | 3.250 | 6.938 | EY 6-4-7831 <i>High angle yoke</i> |
| 1 | 1710 | 2.374-46 | 3.250 | 6.938 | EY 6-4-7831-1 <i>High angle yoke</i> |
| 1 | 1710 | 2.374-46 | 3.250 | 6.938 | EY 6-4-7851-1X <i>High angle yoke</i> |
| 1 | 1710 | 2.374-46 | 3.250 | 6.938 | EY 6-4-7851X <i>High angle yoke</i> |
| 1 | 1760 | 2.374-46 | 3.250 | 5.625 | EY 6.3-4-291 |
| 1 | 1760 | 2.374-46 | 3.250 | 5.625 | EY 6.3-4-291-1 |
| 1 | 1760 | 2.374-46 | 3.250 | 5.625 | EY 6.3-4-861-1X |
| 1 | 1760 | 2.374-46 | 3.250 | 5.625 | EY 6.3-4-861X |
| 1 | 1810 | 2.374-46 | 3.250 | 5.688 | EY 6.5-4-3201 |
| 1 | 1810 | 2.374-46 | 3.250 | 5.688 | EY 6.5-4-3201-1 |
| 1 | 1810 | 2.374-46 | 3.250 | 5.688 | EY 6.5-4-3581-1X |
| 1 | 1810 | 2.374-46 | 3.250 | 5.688 | EY 6.5-4-3581X |

| Pos | Series | Spline Data | Hub Dia | * to End of Hub | End Fitting Part Number |
|-----|--------|-------------|---------|-----------------|-------------------------|
|-----|--------|-------------|---------|-----------------|-------------------------|

RS--185, RS-**-186**

| | | | | | |
|---|--------|----------|-------|-------|---|
| 1 | SPL140 | 2.374-46 | 3.250 | 6.210 | EY 140-4-271-1 |
| 1 | SPL140 | 2.374-46 | 3.250 | 6.210 | EY 140-4-291-1X |
| 1 | SPL170 | 2.374-46 | 3.250 | 5.760 | EY 170-4-571-1 |
| 1 | SPL170 | 2.374-46 | 3.250 | 5.760 | EY 170-4-591-1X |
| 1 | SPL170 | 2.374-46 | 3.250 | 7.250 | EY 170-4-601-1 <i>High angle yoke</i> |
| 1 | SPL170 | 2.374-46 | 3.250 | 7.250 | EY 170-4-611-1X <i>High angle yoke</i> |
| 1 | SPL250 | 2.374-46 | 3.250 | 5.870 | EY 250-4-281-1 |
| 1 | SPL250 | 2.374-46 | 3.250 | 5.870 | EY 250-4-301-1X |
| 1 | SPL90 | 2.374-46 | 3.250 | 5.188 | EY 90-4-351-1 |
| 1 | SPL90 | 2.374-46 | 3.250 | 5.188 | EY 90-4-361-1X |
| 1 | 1610 | 2.374-46 | 3.250 | 4.547 | EY 5-4-7351-1 |
| 1 | 1610 | 2.374-46 | 3.250 | 4.547 | EY 5-4-7361-1X |
| 1 | 1710 | 2.374-46 | 3.250 | 5.938 | EY 6-4-5931 |
| 1 | 1710 | 2.374-46 | 3.250 | 5.938 | EY 6-4-5931-1 |
| 1 | 1710 | 2.374-46 | 3.250 | 5.938 | EY 6-4-6961-1X |
| 1 | 1710 | 2.374-46 | 3.250 | 5.938 | EY 6-4-6961X |
| 1 | 1710 | 2.374-46 | 3.250 | 6.938 | EY 6-4-7831 <i>High angle yoke</i> |
| 1 | 1710 | 2.374-46 | 3.250 | 6.938 | EY 6-4-7831-1 <i>High angle yoke</i> |
| 1 | 1710 | 2.374-46 | 3.250 | 6.938 | EY 6-4-7851-1X <i>High angle yoke</i> |
| 1 | 1710 | 2.374-46 | 3.250 | 6.938 | EY 6-4-7851X <i>High angle yoke</i> |
| 1 | 1760 | 2.374-46 | 3.250 | 5.625 | EY 6.3-4-291 |
| 1 | 1760 | 2.374-46 | 3.250 | 5.625 | EY 6.3-4-291-1 |
| 1 | 1760 | 2.374-46 | 3.250 | 5.625 | EY 6.3-4-861-1X |
| 1 | 1760 | 2.374-46 | 3.250 | 5.625 | EY 6.3-4-861X |
| 1 | 1810 | 2.374-46 | 3.250 | 5.688 | EY 6.5-4-3201 |
| 1 | 1810 | 2.374-46 | 3.250 | 5.688 | EY 6.5-4-3201-1 |
| 1 | 1810 | 2.374-46 | 3.250 | 5.688 | EY 6.5-4-3581-1X |
| 1 | 1810 | 2.374-46 | 3.250 | 5.688 | EY 6.5-4-3581X |

RS--210, RS-**-220, RS-**-230**

| | | | | | |
|---|--------|----------|-------|-------|---|
| 1 | SPL140 | 1.774-34 | 2.500 | 4.950 | EY 140-4-251-1 |
| 1 | SPL140 | 1.774-34 | 2.500 | 4.950 | EY 140-4-261-1X |
| 1 | SPL90 | 1.774-34 | 2.500 | 4.110 | EY 90-4-751-1 |
| 1 | SPL90 | 1.774-34 | 2.500 | 4.110 | EY 90-4-761-1X |
| 1 | 1410 | 1.774-34 | 2.500 | 4.469 | EY 3-4-7541-1 |
| 1 | 1410 | 1.774-34 | 2.500 | 4.188 | EY 3-4-7551 |
| 1 | 1410 | 1.774-34 | 2.500 | 4.188 | EY 3-4-7551-1 |
| 1 | 1410 | 1.774-34 | 2.500 | 4.188 | EY 3-4-8061X |
| 1 | 1480 | 1.774-34 | 2.500 | 4.469 | EY 3-4-8051-1X |
| 1 | 1480 | 1.774-34 | 2.500 | 4.188 | EY 3-4-8061-1X |
| 1 | 1550 | 1.774-34 | 2.500 | 4.700 | EY 4-4-4101-1 |
| 1 | 1550 | 1.774-34 | 2.500 | 4.700 | EY 4-4-4101-2 <i>Attaching hardware by OEM</i> |
| 1 | 1550 | 1.774-34 | 2.500 | 4.700 | EY 4-4-4111-1X |
| 1 | 1610 | 1.774-34 | 2.500 | 4.875 | EY 5-4-5571-1 |

*C/L to End of Hub for EY (End Yoke); Flange Face to End of Hub for CF (Companion Flange)

■ Hub machined for speedometer gear



| Pos | Series | Spline Data | Hub Dia | * to End of Hub | End Fitting Part Number |
|-----|--------|-------------|---------|-----------------|-------------------------|
|-----|--------|-------------|---------|-----------------|-------------------------|

RS--210, RS-**-220, RS-**-230 (Continued)**

| | | | | | |
|---|------|----------|-------|-------|----------------|
| 1 | 1610 | 1.774-34 | 2.500 | 4.875 | EY 5-4-5621-1X |
| 1 | 1710 | 1.774-34 | 2.500 | 4.875 | EY 6-4-5131-1X |
| 1 | 1710 | 1.774-34 | 2.500 | 4.875 | EY 6-4-5131X |
| 1 | 1710 | 1.774-34 | 2.500 | 4.875 | EY 6-4-6331 |
| 1 | 1710 | 1.774-34 | 2.500 | 4.875 | EY 6-4-6331-1 |

RS--240**

| | | | | | |
|---|--------|----------|-------|-------|---|
| 1 | SPL140 | 2.024-39 | 3.000 | 5.680 | EY 140-4-211-1 |
| 1 | SPL140 | 2.024-39 | 3.000 | 5.680 | EY 140-4-231-1X |
| 1 | SPL140 | 2.024-39 | 3.000 | 5.680 | EY 140-4-241-1X |
| 1 | SPL170 | 2.024-39 | 3.000 | 5.090 | EY 170-4-641-1 |
| 1 | SPL170 | 2.024-39 | 3.000 | 5.090 | EY 170-4-651-1X |
| 1 | SPL170 | 2.024-39 | 3.000 | 6.391 | EY 170-4-661-1 <i>High angle yoke</i> |
| 1 | SPL170 | 2.024-39 | 3.000 | 6.391 | EY 170-4-671-1X <i>High angle yoke</i> |
| 1 | SPL90 | 2.024-39 | 3.000 | 4.625 | EY 90-4-311-1 |
| 1 | SPL90 | 2.024-39 | 3.000 | 4.625 | EY 90-4-321-1X |
| 1 | 1480 | 2.024-39 | 3.000 | 4.281 | EY 3-4-8861 |
| 1 | 1480 | 2.024-39 | 3.000 | 4.281 | EY 3-4-8871X |
| 1 | 1550 | 2.024-39 | 3.000 | 5.000 | EY 4-4-5261-1 |
| 1 | 1550 | 2.024-39 | 3.000 | 5.000 | EY 4-4-6731-1X |
| 1 | 1610 | 2.024-39 | 3.000 | 6.219 | EY 5-4-6241 <i>High angle yoke</i> |
| 1 | 1610 | 2.024-39 | 3.000 | 6.219 | EY 5-4-6241-1 <i>High angle yoke</i> |
| 1 | 1610 | 2.024-39 | 3.000 | 5.531 | EY 5-4-6271 |
| 1 | 1610 | 2.024-39 | 3.000 | 5.531 | EY 5-4-6281X |
| 1 | 1610 | 2.024-39 | 3.000 | 6.219 | EY 5-4-6291-1X <i>High angle yoke</i> |
| 1 | 1610 | 2.024-39 | 3.000 | 6.219 | EY 5-4-6291X <i>High angle yoke</i> |
| 1 | 1610 | 2.024-39 | 3.000 | 4.875 | EY 5-4-6421-1 |
| 1 | 1610 | 2.024-39 | 3.000 | 4.875 | EY 5-4-6441-1X |
| 1 | 1710 | 2.024-39 | 3.000 | 6.250 | EY 6-4-6371 <i>High angle yoke</i> |
| 1 | 1710 | 2.024-39 | 3.000 | 6.250 | EY 6-4-6371-1 <i>High angle yoke</i> |
| 1 | 1710 | 2.024-39 | 3.000 | 6.250 | EY 6-4-6391-1X <i>High angle yoke</i> |
| 1 | 1710 | 2.024-39 | 3.000 | 6.250 | EY 6-4-6391X <i>High angle yoke</i> |
| 1 | 1710 | 2.024-39 | 3.000 | 5.156 | EY 6-4-6401 |
| 1 | 1710 | 2.024-39 | 3.000 | 5.156 | EY 6-4-6401-1 |
| 1 | 1710 | 2.024-39 | 3.000 | 5.156 | EY 6-4-6421-1X |
| 1 | 1710 | 2.024-39 | 3.000 | 5.156 | EY 6-4-6421X |
| 1 | 1710 | 2.024-39 | 3.000 | 5.156 | EY 6-4-7621-1 |
| 1 | 1710 | 2.024-39 | 3.000 | 5.156 | EY 6-4-7641-1X |
| 1 | 1760 | 2.024-39 | 3.000 | 5.188 | EY 6.3-4-1141-1X |
| 1 | 1760 | 2.024-39 | 3.000 | 5.188 | EY 6.3-4-531 |
| 1 | 1760 | 2.024-39 | 3.000 | 5.188 | EY 6.3-4-531-1 |
| 1 | 1810 | 2.024-39 | 3.000 | 5.190 | EY 6.5-4-3371 |
| 1 | 1810 | 2.024-39 | 3.000 | 5.190 | EY 6.5-4-3371-1 |
| 1 | 1810 | 2.024-39 | 3.000 | 5.190 | EY 6.5-4-3381-1X |
| 1 | 1810 | 2.024-39 | 3.000 | 5.190 | EY 6.5-4-3381X |

RS--380**

| | | | | | |
|---|--------|----------|-------|-------|-----------------|
| 1 | SPL140 | 2.024-39 | 3.000 | 5.680 | EY 140-4-211-1 |
| 1 | SPL140 | 2.024-39 | 3.000 | 5.680 | EY 140-4-231-1X |
| 1 | SPL140 | 2.024-39 | 3.000 | 5.680 | EY 140-4-241-1X |
| 1 | SPL170 | 2.024-39 | 3.000 | 5.090 | EY 170-4-641-1 |

| Pos | Series | Spline Data | Hub Dia | * to End of Hub | End Fitting Part Number |
|-----|--------|-------------|---------|-----------------|-------------------------|
|-----|--------|-------------|---------|-----------------|-------------------------|

RS--380 (Continued)**

| | | | | | |
|---|--------|----------|-------|-------|--|
| 1 | SPL170 | 2.024-39 | 3.000 | 5.090 | EY 170-4-651-1X |
| 1 | SPL170 | 2.024-39 | 3.000 | 6.391 | EY 170-4-661-1 <i>High angle yoke</i> |
| 1 | SPL170 | 2.024-39 | 3.000 | 6.391 | EY 170-4-691-1X <i>High angle yoke</i> |
| 1 | SPL170 | 2.024-39 | 3.000 | 5.090 | EY 170-4-701-1X |
| 1 | SPL250 | 2.024-39 | 3.000 | 5.300 | EY 250-4-311-1 <i>Counterbore at hub end.</i> |
| 1 | 1710 | 2.024-39 | 3.000 | 6.250 | EY 6-4-6371 <i>High angle yoke</i> |
| 1 | 1710 | 2.024-39 | 3.000 | 6.250 | EY 6-4-6371-1 <i>High angle yoke</i> |
| 1 | 1710 | 2.024-39 | 3.000 | 6.250 | EY 6-4-6391-1X <i>High angle yoke</i> |
| 1 | 1710 | 2.024-39 | 3.000 | 6.250 | EY 6-4-6391X <i>High angle yoke</i> |
| 1 | 1710 | 2.024-39 | 3.000 | 5.156 | EY 6-4-7621-1 |
| 1 | 1710 | 2.374-46 | 3.250 | 6.938 | EY 6-4-7831 <i>High angle yoke</i> |
| 1 | 1710 | 2.374-46 | 3.250 | 6.938 | EY 6-4-7831-1 <i>High angle yoke</i> |
| 1 | 1710 | 2.374-46 | 3.250 | 6.938 | EY 6-4-7851-1X <i>High angle yoke</i> |
| 1 | 1710 | 2.374-46 | 3.250 | 6.938 | EY 6-4-7851X <i>High angle yoke</i> |
| 1 | 1710 | 2.024-39 | 3.000 | 5.156 | EY 6-4-8601-1X |
| 1 | 1760 | 2.024-39 | 3.000 | 5.188 | EY 6.3-4-1341-1X |
| 1 | 1760 | 2.024-39 | 3.000 | 5.188 | EY 6.3-4-531-1 |
| 1 | 1810 | 2.024-39 | 3.000 | 5.190 | EY 6.5-4-3371-1 |
| 1 | 1810 | 2.024-39 | 3.000 | 5.190 | EY 6.5-4-4191-1X |

RT--180**

| | | | | | |
|---|--------|----------|-------|-------|-----------------|
| 1 | SPL170 | 2.374-46 | 3.250 | 5.760 | EY 170-4-571-1 |
| 1 | SPL170 | 2.374-46 | 3.250 | 5.760 | EY 170-4-591-1X |

RT-140, RT-240, RT-340

| | | | | | |
|---|-----------|----------|-------|-------|--|
| 1 | 1480/1550 | 1.960-10 | 2.750 | 3.375 | CF 4-1-2661 |
| 1 | 1710 | 1.960-10 | 2.750 | 3.312 | CF 6-1-1461 |
| 1 | 1610 | 1.960-10 | 2.750 | 5.125 | EY 5-4-5281X |
| 1 | 1710 | 1.960-10 | 2.750 | 5.250 | EY 6-4-4361X |
| 1 | 1710 | 1.960-10 | 2.750 | 6.500 | EY 6-4-4481X <i>High angle yoke</i> |

R125, R128

| | | | | | |
|---|------|----------|-------|-------|--|
| 1 | 1610 | 2.024-39 | 3.000 | 5.531 | EY 5-4-6281X |
| 1 | 1610 | 2.024-39 | 3.000 | 6.219 | EY 5-4-6291X <i>High angle yoke</i> |
| 1 | 1710 | 2.024-39 | 3.000 | 6.250 | EY 6-4-6391-1X <i>High angle yoke</i> |
| 1 | 1710 | 2.024-39 | 3.000 | 6.250 | EY 6-4-6391X <i>High angle yoke</i> |
| 1 | 1710 | 2.024-39 | 3.000 | 5.156 | EY 6-4-6421-1X |
| 1 | 1710 | 2.024-39 | 3.000 | 5.156 | EY 6-4-6421X |
| 1 | 1710 | 2.024-39 | 3.000 | 5.156 | EY 6-4-7621-1 |
| 1 | 1710 | 2.024-39 | 3.000 | 5.156 | EY 6-4-7631-1X |
| 1 | 1710 | 2.024-39 | 3.000 | 5.156 | EY 6-4-7641-1X |

R180

| | | | | | |
|---|------|----------|-------|-------|------------------|
| 1 | 1760 | 2.374-46 | 3.250 | 5.625 | EY 6.3-4-301-1X |
| 1 | 1760 | 2.374-46 | 3.250 | 5.625 | EY 6.3-4-301X |
| 1 | 1810 | 2.374-46 | 3.250 | 5.688 | EY 6.5-4-3201 |
| 1 | 1810 | 2.374-46 | 3.250 | 5.688 | EY 6.5-4-3201-1 |
| 1 | 1810 | 2.374-46 | 3.250 | 5.688 | EY 6.5-4-3221-1X |

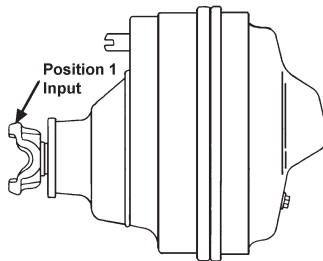
Continued on next page

*C/L to End of Hub for EY (End Yoke); Flange Face to End of Hub for CF (Companion Flange)

■ Hub machined for speedometer gear



Important: See Safety Information in General Information Section (J300P-GI)



| Pos | Series | Spline Data | Hub Dia | * to End of Hub | End Fitting Part Number |
|-----|--------|-------------|---------|-----------------|-------------------------|
|-----|--------|-------------|---------|-----------------|-------------------------|

R180 (Continued)

| | | | | | |
|---|------|----------|-------|-------|------------------|
| 1 | 1810 | 2.374-46 | 3.250 | 5.688 | EY 6.5-4-3221X |
| 1 | 1810 | 2.374-46 | 3.250 | 5.688 | EY 6.5-4-3581-1X |
| 1 | 1810 | 2.374-46 | 3.250 | 5.688 | EY 6.5-4-3581X |

R360

| | | | | | |
|---|-----------|----------|-------|-------|--|
| 1 | 1480/1550 | 1.960-10 | 2.750 | 3.375 | CF 4-1-2661 |
| 1 | 1710 | 1.960-10 | 2.750 | 3.312 | CF 6-1-1461 |
| 1 | 1610 | 1.960-10 | 2.750 | 5.125 | EY 5-4-5281X |
| 1 | 1710 | 1.960-10 | 2.750 | 5.250 | EY 6-4-4361X |
| 1 | 1710 | 1.960-10 | 2.750 | 6.500 | EY 6-4-4481X <i>High angle yoke</i> |

R611

| | | | | | |
|---|------|----------|-------|-------|--|
| 1 | 1610 | 2.024-39 | 3.000 | 5.531 | EY 5-4-6281X |
| 1 | 1610 | 2.024-39 | 3.000 | 6.219 | EY 5-4-6291X <i>High angle yoke</i> |
| 1 | 1710 | 2.024-39 | 3.000 | 6.250 | EY 6-4-6391-1X <i>High angle yoke</i> |
| 1 | 1710 | 2.024-39 | 3.000 | 6.250 | EY 6-4-6391X <i>High angle yoke</i> |
| 1 | 1710 | 2.024-39 | 3.000 | 5.156 | EY 6-4-6421-1X |
| 1 | 1710 | 2.024-39 | 3.000 | 5.156 | EY 6-4-6421X |
| 1 | 1710 | 2.024-39 | 3.000 | 5.156 | EY 6-4-7621-1 |
| 1 | 1710 | 2.024-39 | 3.000 | 5.156 | EY 6-4-7631-1X |
| 1 | 1710 | 2.024-39 | 3.000 | 5.156 | EY 6-4-7641-1X |

S-170

| | | | | | |
|---|------|----------|-------|-------|---|
| 1 | 1710 | 2.250-10 | 3.000 | 3.750 | CF 6-1-1421 <i>.250 deep counterbore at hub end</i> |
| 1 | 1810 | 2.250-10 | 3.000 | 3.750 | CF 6.5-1-211 <i>.250 deep counterbore at hub end</i> |
| 1 | 1650 | 2.250-10 | 3.000 | 5.625 | EY 5-4-6891X |
| 1 | 1710 | 2.250-10 | 3.000 | 6.062 | EY 6-4-4411-1X |
| 1 | 1710 | 2.250-10 | 3.000 | 6.062 | EY 6-4-4411X |
| 1 | 1710 | 2.250-10 | 3.000 | 7.188 | EY 6-4-6891X <i>High angle yoke</i> |
| 1 | 1760 | 2.250-10 | 3.000 | 5.844 | EY 6.3-4-731X |
| 1 | 1810 | 2.250-10 | 3.000 | 5.844 | EY 6.5-4-2551X |

SPRC1737, SPRC1925

| | | | | | |
|---|--------|----------|-------|-------|---|
| 1 | SPL140 | 2.024-39 | 2.750 | 5.250 | EY 140-4-1421-1 <i>.250 deep counterbore at hub end</i> |
| 1 | SPL140 | 2.024-39 | 2.750 | 5.250 | EY 140-4-1431-1X <i>.250 deep counterbore at hub end</i> |
| 1 | 1610 | 2.024-39 | 2.750 | 5.125 | EY 5-4-5421 |
| 1 | 1610 | 2.024-39 | 2.750 | 5.938 | EY 5-4-5441 <i>High angle yoke</i> |
| 1 | 1610 | 2.024-39 | 2.750 | 5.125 | EY 5-4-6951X |
| 1 | 1610 | 2.024-39 | 2.750 | 5.938 | EY 5-4-6961X <i>High angle yoke</i> |
| 1 | 1710 | 2.024-39 | 2.750 | 6.500 | EY 6-4-5501 |
| 1 | 1710 | 2.024-39 | 2.750 | 6.500 | EY 6-4-5501-1 <i>High angle yoke</i> |
| 1 | 1710 | 2.024-39 | 2.750 | 5.250 | EY 6-4-5521 |
| 1 | 1710 | 2.024-39 | 2.750 | 5.250 | EY 6-4-5521-1 |
| 1 | 1710 | 2.024-39 | 2.750 | 6.500 | EY 6-4-6871-1X <i>High angle yoke</i> |

| Pos | Series | Spline Data | Hub Dia | * to End of Hub | End Fitting Part Number |
|-----|--------|-------------|---------|-----------------|-------------------------|
|-----|--------|-------------|---------|-----------------|-------------------------|

SPRC1737, SPRC1925 (Continued)

| | | | | | |
|---|------|----------|-------|-------|------------------|
| 1 | 1710 | 2.024-39 | 2.750 | 6.500 | EY 6-4-6871X |
| 1 | 1710 | 2.024-39 | 2.750 | 5.250 | EY 6-4-6951-1X |
| 1 | 1710 | 2.024-39 | 2.750 | 5.250 | EY 6-4-6951X |
| 1 | 1810 | 2.024-39 | 2.750 | 5.531 | EY 6.5-4-2781 |
| 1 | 1810 | 2.024-39 | 2.750 | 5.625 | EY 6.5-4-2781-1 |
| 1 | 1810 | 2.024-39 | 2.750 | 5.625 | EY 6.5-4-3571-1X |
| 1 | 1810 | 2.024-39 | 2.750 | 5.531 | EY 6.5-4-3571X |

T-270

| | | | | | |
|---|------|----------|-------|-------|--|
| 1 | 1610 | 2.024-39 | 3.000 | 5.531 | EY 5-4-6281X |
| 1 | 1710 | 2.024-39 | 3.000 | 6.250 | EY 6-4-6391-1X <i>High angle yoke</i> |
| 1 | 1710 | 2.024-39 | 3.000 | 6.250 | EY 6-4-6391X <i>High angle yoke</i> |
| 1 | 1710 | 2.024-39 | 3.000 | 5.156 | EY 6-4-6411X |
| 1 | 1710 | 2.024-39 | 3.000 | 5.156 | EY 6-4-6421-1X |
| 1 | 1710 | 2.024-39 | 3.000 | 5.156 | EY 6-4-6421X |
| 1 | 1710 | 2.024-39 | 3.000 | 5.156 | EY 6-4-7631-1X |
| 1 | 1760 | 2.024-39 | 3.000 | 5.188 | EY 6.3-4-541-1X |
| 1 | 1760 | 2.024-39 | 3.000 | 5.188 | EY 6.3-4-541X |
| 1 | 1810 | 2.024-39 | 3.000 | 5.190 | EY 6.5-4-3381-1X |
| 1 | 1810 | 2.024-39 | 3.000 | 5.190 | EY 6.5-4-3381X |

U-100

| | | | | | |
|---|------|----------|-------|-------|------------------|
| 1 | 1810 | 2.024-39 | 2.750 | 5.625 | EY 6.5-4-2781-1 |
| 1 | 1810 | 2.024-39 | 2.750 | 5.625 | EY 6.5-4-3571-1X |

U-170

| | | | | | |
|---|------|----------|-------|-------|---|
| 1 | 1710 | 2.250-10 | 3.000 | 3.750 | CF 6-1-1421 <i>.250 deep counterbore at hub end</i> |
| 1 | 1810 | 2.250-10 | 3.000 | 3.750 | CF 6.5-1-211 <i>.250 deep counterbore at hub end</i> |
| 1 | 1610 | 2.250-10 | 3.000 | 5.625 | EY 5-4-6891X |
| 1 | 1710 | 2.250-10 | 3.000 | 6.062 | EY 6-4-4411X |
| 1 | 1760 | 2.250-10 | 3.000 | 5.844 | EY 6.3-4-731X |
| 1 | 1810 | 2.250-10 | 3.000 | 5.844 | EY 6.5-4-2551X |

U-180

| | | | | | |
|---|------|----------|-------|-------|---|
| 1 | 1710 | 2.250-10 | 3.000 | 3.750 | CF 6-1-1421 <i>.250 deep counterbore at hub end</i> |
| 1 | 1810 | 2.250-10 | 3.000 | 3.750 | CF 6.5-1-211 <i>.250 deep counterbore at hub end</i> |
| 1 | 1650 | 2.250-10 | 3.000 | 5.625 | EY 5-4-6891X |
| 1 | 1710 | 2.250-10 | 3.000 | 6.062 | EY 6-4-4411-1X |
| 1 | 1710 | 2.250-10 | 3.000 | 6.062 | EY 6-4-4411X |
| 1 | 1710 | 2.250-10 | 3.000 | 7.188 | EY 6-4-6891X <i>High angle yoke</i> |
| 1 | 1760 | 2.374-46 | 3.250 | 5.625 | EY 6.3-4-301-1X |
| 1 | 1760 | 2.374-46 | 3.250 | 5.625 | EY 6.3-4-301X |
| 1 | 1760 | 2.250-10 | 3.000 | 5.844 | EY 6.3-4-731X |
| 1 | 1810 | 2.250-10 | 3.000 | 5.844 | EY 6.5-4-2551X |
| 1 | 1810 | 2.374-46 | 3.250 | 5.688 | EY 6.5-4-3201 |
| 1 | 1810 | 2.374-46 | 3.250 | 5.688 | EY 6.5-4-3201-1 |

*C/L to End of Hub for EY (End Yoke); Flange Face to End of Hub for CF (Companion Flange)

■ Hub machined for speedometer gear



| Pos | Series | Spline Data | Hub Dia | * to End of Hub | End Fitting Part Number |
|-----|--------|-------------|---------|-----------------|-------------------------|
|-----|--------|-------------|---------|-----------------|-------------------------|

U-180 (Continued)

| | | | | | |
|---|------|----------|-------|-------|------------------|
| 1 | 1810 | 2.374-46 | 3.250 | 5.688 | EY 6.5-4-3221-1X |
| 1 | 1810 | 2.374-46 | 3.250 | 5.688 | EY 6.5-4-3221X |
| 1 | 1810 | 2.374-46 | 3.250 | 5.688 | EY 6.5-4-3581-1X |
| 1 | 1810 | 2.374-46 | 3.250 | 5.688 | EY 6.5-4-3581X |

U-200

| | | | | | |
|---|-----------|----------|-------|-------|--|
| 1 | 1480/1550 | 1.960-10 | 2.750 | 3.375 | CF 4-1-2661 |
| 1 | 1710 | 1.960-10 | 2.750 | 3.312 | CF 6-1-1461 |
| 1 | 1610 | 1.960-10 | 2.750 | 5.125 | EY 5-4-5281X |
| 1 | 1710 | 1.960-10 | 2.750 | 5.250 | EY 6-4-4361X |
| 1 | 1710 | 1.960-10 | 2.750 | 6.500 | EY 6-4-4481X <i>High angle yoke</i> |
| 1 | 1810 | 2.024-39 | 2.750 | 5.625 | EY 6.5-4-2781-1 |
| 1 | 1810 | 2.024-39 | 2.750 | 5.625 | EY 6.5-4-3571-1X |

U-240

| | | | | | |
|---|------|----------|-------|-------|--|
| 1 | 1610 | 1.960-10 | 2.750 | 5.125 | EY 5-4-5281X |
| 1 | 1610 | 2.024-39 | 2.750 | 5.125 | EY 5-4-6951X |
| 1 | 1610 | 2.024-39 | 2.750 | 5.938 | EY 5-4-6961X <i>High angle yoke</i> |
| 1 | 1710 | 1.960-10 | 2.750 | 5.250 | EY 6-4-4361X |
| 1 | 1710 | 1.960-10 | 2.750 | 6.500 | EY 6-4-4481X <i>High angle yoke</i> |
| 1 | 1710 | 2.024-39 | 2.750 | 6.500 | EY 6-4-6871X |
| 1 | 1710 | 2.024-39 | 2.750 | 4.812 | EY 6-4-6941X |
| 1 | 1710 | 2.024-39 | 2.750 | 5.250 | EY 6-4-6951-1X |
| 1 | 1710 | 2.024-39 | 2.750 | 5.250 | EY 6-4-6951X |
| 1 | 1810 | 2.024-39 | 2.750 | 5.625 | EY 6.5-4-2781-1 |
| 1 | 1810 | 2.024-39 | 2.750 | 5.625 | EY 6.5-4-3571-1X |
| 1 | 1810 | 2.024-39 | 2.750 | 5.531 | EY 6.5-4-3571X |

U-270

| | | | | | |
|---|------|----------|-------|-------|--|
| 1 | 1610 | 2.024-39 | 3.000 | 5.531 | EY 5-4-6281X |
| 1 | 1710 | 2.024-39 | 3.000 | 6.250 | EY 6-4-6391-1X <i>High angle yoke</i> |
| 1 | 1710 | 2.024-39 | 3.000 | 6.250 | EY 6-4-6391X <i>High angle yoke</i> |
| 1 | 1710 | 2.024-39 | 3.000 | 5.156 | EY 6-4-6411X |
| 1 | 1710 | 2.024-39 | 3.000 | 5.156 | EY 6-4-6421-1X |
| 1 | 1710 | 2.024-39 | 3.000 | 5.156 | EY 6-4-6421X |
| 1 | 1710 | 2.024-39 | 3.000 | 5.156 | EY 6-4-7631-1X |
| 1 | 1760 | 2.024-39 | 3.000 | 5.188 | EY 6.3-4-541-1X |
| 1 | 1760 | 2.024-39 | 3.000 | 5.188 | EY 6.3-4-541X |
| 1 | 1810 | 2.024-39 | 3.000 | 5.190 | EY 6.5-4-3381-1X |
| 1 | 1810 | 2.024-39 | 3.000 | 5.190 | EY 6.5-4-3381X |

U-300

| | | | | | |
|---|-----------|----------|-------|-------|--|
| 1 | 1480/1550 | 1.960-10 | 2.750 | 3.375 | CF 4-1-2661 |
| 1 | 1710 | 1.960-10 | 2.750 | 3.312 | CF 6-1-1461 |
| 1 | 1610 | 1.960-10 | 2.750 | 5.125 | EY 5-4-5281X |
| 1 | 1710 | 1.960-10 | 2.750 | 5.250 | EY 6-4-4361X |
| 1 | 1710 | 1.960-10 | 2.750 | 6.500 | EY 6-4-4481X <i>High angle yoke</i> |
| 1 | 1810 | 2.024-39 | 2.750 | 5.625 | EY 6.5-4-2781-1 |
| 1 | 1810 | 2.024-39 | 2.750 | 5.625 | EY 6.5-4-3571-1X |

U-340

| | | | | | |
|---|------|----------|-------|-------|--|
| 1 | 1610 | 2.024-39 | 2.750 | 5.125 | EY 5-4-6951X |
| 1 | 1610 | 2.024-39 | 2.750 | 5.938 | EY 5-4-6961X <i>High angle yoke</i> |
| 1 | 1710 | 2.024-39 | 2.750 | 6.500 | EY 6-4-6871X |
| 1 | 1710 | 2.024-39 | 2.750 | 4.812 | EY 6-4-6941X |
| 1 | 1710 | 2.024-39 | 2.750 | 5.250 | EY 6-4-6951-1X |

| Pos | Series | Spline Data | Hub Dia | * to End of Hub | End Fitting Part Number |
|-----|--------|-------------|---------|-----------------|-------------------------|
|-----|--------|-------------|---------|-----------------|-------------------------|

U-340 (Continued)

| | | | | | |
|---|------|----------|-------|-------|------------------|
| 1 | 1710 | 2.024-39 | 2.750 | 5.250 | EY 6-4-6951X |
| 1 | 1810 | 2.024-39 | 2.750 | 5.625 | EY 6.5-4-2781-1 |
| 1 | 1810 | 2.024-39 | 2.750 | 5.625 | EY 6.5-4-3571-1X |
| 1 | 1810 | 2.024-39 | 2.750 | 5.531 | EY 6.5-4-3571X |

W-170

| | | | | | |
|---|------|----------|-------|-------|---|
| 1 | 1710 | 2.250-10 | 3.000 | 3.750 | CF 6-1-1421 <i>.250 deep counterbore at hub end</i> |
| 1 | 1810 | 2.250-10 | 3.000 | 3.750 | CF 6.5-1-211 <i>.250 deep counterbore at hub end</i> |
| 1 | 1650 | 2.250-10 | 3.000 | 5.625 | EY 5-4-6891X |
| 1 | 1710 | 2.250-10 | 3.000 | 6.062 | EY 6-4-4411-1X |
| 1 | 1710 | 2.250-10 | 3.000 | 6.062 | EY 6-4-4411X |
| 1 | 1710 | 2.250-10 | 3.000 | 7.188 | EY 6-4-6891X <i>High angle yoke</i> |
| 1 | 1760 | 2.250-10 | 3.000 | 5.844 | EY 6.3-4-731X |
| 1 | 1810 | 2.250-10 | 3.000 | 5.844 | EY 6.5-4-2551X |

W-270

| | | | | | |
|---|------|----------|-------|-------|--|
| 1 | 1610 | 2.024-39 | 3.000 | 5.531 | EY 5-4-6281X |
| 1 | 1710 | 2.024-39 | 3.000 | 6.250 | EY 6-4-6391-1X <i>High angle yoke</i> |
| 1 | 1710 | 2.024-39 | 3.000 | 6.250 | EY 6-4-6391X <i>High angle yoke</i> |
| 1 | 1710 | 2.024-39 | 3.000 | 5.156 | EY 6-4-6411X |
| 1 | 1710 | 2.024-39 | 3.000 | 5.156 | EY 6-4-6421-1X |
| 1 | 1710 | 2.024-39 | 3.000 | 5.156 | EY 6-4-6421X |
| 1 | 1710 | 2.024-39 | 3.000 | 5.156 | EY 6-4-7631-1X |
| 1 | 1760 | 2.024-39 | 3.000 | 5.188 | EY 6.3-4-541-1X |
| 1 | 1760 | 2.024-39 | 3.000 | 5.188 | EY 6.3-4-541X |
| 1 | 1810 | 2.024-39 | 3.000 | 5.190 | EY 6.5-4-3381-1X |
| 1 | 1810 | 2.024-39 | 3.000 | 5.190 | EY 6.5-4-3381X |

1357, 1758, 1768

| | | | | | |
|---|------|----------|-------|-------|-------------|
| 1 | 1710 | 1.960-10 | 2.938 | 4.500 | EY 6-4-2061 |
|---|------|----------|-------|-------|-------------|

2100

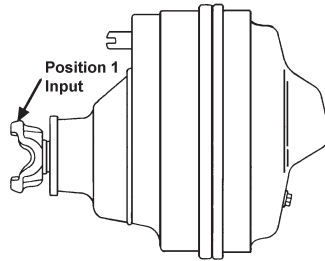
| | | | | | |
|---|------|----------|-------|-------|--|
| 1 | 1610 | 2.024-39 | 2.750 | 5.125 | EY 5-4-6951X |
| 1 | 1610 | 2.024-39 | 2.750 | 5.938 | EY 5-4-6961X <i>High angle yoke</i> |
| 1 | 1710 | 2.024-39 | 2.750 | 6.500 | EY 6-4-6871X |
| 1 | 1710 | 2.024-39 | 2.750 | 4.812 | EY 6-4-6941X |
| 1 | 1710 | 2.024-39 | 2.750 | 5.250 | EY 6-4-6951-1X |
| 1 | 1710 | 2.024-39 | 2.750 | 5.250 | EY 6-4-6951X |
| 1 | 1810 | 2.024-39 | 2.750 | 5.625 | EY 6.5-4-3571-1X |
| 1 | 1810 | 2.024-39 | 2.750 | 5.531 | EY 6.5-4-3571X |

*C/L to End of Hub for EY (End Yoke); Flange Face to End of Hub for CF (Companion Flange)

■ Hub machined for speedometer gear



Important: See Safety Information in General Information Section (J300P-GI)



| Pos | Series | Spline Data | Hub Dia | * to End of Hub | End Fitting Part Number |
|-----|--------|-------------|---------|-----------------|-------------------------|
|-----|--------|-------------|---------|-----------------|-------------------------|

| D135-S | | | | | |
|---------------|------|----------|-------|-------|-----------------|
| 1 | 1480 | 1.790-34 | 2.375 | 4.219 | EY 3-4-12101-1X |
| 1 | 1480 | 1.750-10 | 2.375 | 4.219 | EY 3-4-3571-1 |
| 1 | 1550 | 1.750-10 | 2.375 | 4.000 | EY 4-4-2041-1 |
| 1 | 1550 | 1.790-34 | 2.375 | 4.000 | EY 4-4-6961-1X |
| 1 | 1610 | 1.750-10 | 2.375 | 4.188 | EY 5-4-1481 |
| 1 | 1610 | 1.750-10 | 2.375 | 4.688 | EY 5-4-1481-1 |
| 1 | 1610 | 1.790-34 | 2.375 | 4.125 | EY 5-4-8571-1X |

| E2300SD | | | | | |
|----------------|------|----------|-------|-------|----------------|
| 1 | 1610 | 2.274-44 | 2.938 | 5.000 | EY 5-4-8431-1X |

| F155-S | | | | | |
|---------------|-------|----------|-------|-------|-----------------|
| 1 | SPL55 | 1.790-34 | 2.375 | 4.219 | EY 55-4-31-1 |
| 1 | SPL55 | 1.790-34 | 2.375 | 4.219 | EY 55-4-41-1X |
| 1 | SPL90 | 1.790-34 | 2.375 | 5.625 | EY 90-4-541-1 |
| 1 | SPL90 | 1.790-34 | 2.375 | 5.625 | EY 90-4-551-1X |
| 1 | 1480 | 1.790-34 | 2.375 | 4.219 | EY 3-4-12091-1 |
| 1 | 1480 | 1.790-34 | 2.375 | 4.219 | EY 3-4-12101-1X |
| 1 | 1550 | 1.790-34 | 2.375 | 4.000 | EY 4-4-6951-1 |
| 1 | 1550 | 1.790-34 | 2.375 | 4.000 | EY 4-4-6961-1X |
| 1 | 1610 | 1.790-34 | 2.375 | 4.125 | EY 5-4-8561-1 |
| 1 | 1610 | 1.790-34 | 2.375 | 4.125 | EY 5-4-8571-1X |

| F170-S | | | | | |
|---------------|-------|----------|-------|-------|-----------------|
| 1 | SPL55 | 1.790-34 | 2.375 | 4.219 | EY 55-4-31-1 |
| 1 | SPL55 | 1.790-34 | 2.375 | 4.219 | EY 55-4-41-1X |
| 1 | SPL90 | 1.790-34 | 2.375 | 5.625 | EY 90-4-541-1 |
| 1 | SPL90 | 1.790-34 | 2.375 | 5.625 | EY 90-4-551-1X |
| 1 | 1480 | 1.790-34 | 2.375 | 4.219 | EY 3-4-12091-1 |
| 1 | 1480 | 1.790-34 | 2.375 | 4.219 | EY 3-4-12101-1X |
| 1 | 1550 | 1.790-34 | 2.375 | 4.000 | EY 4-4-6951-1 |
| 1 | 1550 | 1.790-34 | 2.375 | 4.000 | EY 4-4-6961-1X |
| 1 | 1610 | 1.790-34 | 2.375 | 4.125 | EY 5-4-8561-1 |
| 1 | 1610 | 1.790-34 | 2.375 | 4.125 | EY 5-4-8571-1X |

| G155-T | | | | | |
|---------------|--------|----------|-------|-------|------------------|
| 1 | SPL140 | 1.998-38 | 3.000 | 4.680 | EY 140-4-901-1 |
| 1 | SPL140 | 1.998-38 | 3.000 | 4.680 | EY 140-4-911-1X |
| 1 | SPL90 | 1.998-38 | 3.000 | 4.250 | EY 90-4-561-1 |
| 1 | SPL90 | 1.998-38 | 3.000 | 4.250 | EY 90-4-571-1X |
| 1 | 1480 | 1.998-38 | 3.000 | 4.281 | EY 3-4-12111-1 |
| 1 | 1480 | 1.998-38 | 3.000 | 4.281 | EY 3-4-12121-1X |
| 1 | 1550 | 1.998-38 | 3.000 | 4.500 | EY 4-4-6971-1 |
| 1 | 1550 | 1.998-38 | 3.000 | 4.500 | EY 4-4-6981-1X |
| 1 | 1610 | 1.998-38 | 3.000 | 4.844 | EY 5-4-8581-1 |
| 1 | 1610 | 1.998-38 | 3.000 | 4.844 | EY 5-4-8591-1X |
| 1 | 1710 | 1.998-38 | 3.000 | 4.844 | EY 6-4-8651-1 |
| 1 | 1710 | 1.998-38 | 3.000 | 4.844 | EY 6-4-8661-1X |
| 1 | 1760 | 1.998-38 | 3.000 | 4.844 | EY 6.3-4-1491-1 |
| 1 | 1760 | 1.998-38 | 3.000 | 4.844 | EY 6.3-4-1501-1X |

| Pos | Series | Spline Data | Hub Dia | * to End of Hub | End Fitting Part Number |
|-----|--------|-------------|---------|-----------------|-------------------------|
|-----|--------|-------------|---------|-----------------|-------------------------|

| G175-S | | | | | |
|---------------|--------|----------|-------|-------|------------------|
| 1 | SPL140 | 1.998-38 | 3.000 | 4.680 | EY 140-4-901-1 |
| 1 | SPL140 | 1.998-38 | 3.000 | 4.680 | EY 140-4-911-1X |
| 1 | SPL90 | 1.998-38 | 3.000 | 4.250 | EY 90-4-561-1 |
| 1 | SPL90 | 1.998-38 | 3.000 | 4.250 | EY 90-4-571-1X |
| 1 | 1480 | 1.998-38 | 3.000 | 4.281 | EY 3-4-12111-1 |
| 1 | 1480 | 1.998-38 | 3.000 | 4.281 | EY 3-4-12121-1X |
| 1 | 1550 | 1.998-38 | 3.000 | 4.500 | EY 4-4-6971-1 |
| 1 | 1550 | 1.998-38 | 3.000 | 4.500 | EY 4-4-6981-1X |
| 1 | 1610 | 1.998-38 | 3.000 | 4.844 | EY 5-4-8581-1 |
| 1 | 1610 | 1.998-38 | 3.000 | 4.844 | EY 5-4-8591-1X |
| 1 | 1710 | 1.998-38 | 3.000 | 4.844 | EY 6-4-8651-1 |
| 1 | 1710 | 1.998-38 | 3.000 | 4.844 | EY 6-4-8661-1X |
| 1 | 1710 | 1.998-38 | 3.000 | 4.840 | EY 6-4-9951-1 |
| 1 | 1710 | 1.998-38 | 3.000 | 4.840 | EY 6-4-9961-1X |
| 1 | 1760 | 1.998-38 | 3.000 | 4.844 | EY 6.3-4-1491-1 |
| 1 | 1760 | 1.998-38 | 3.000 | 4.844 | EY 6.3-4-1501-1X |

| G175-T, G190-S | | | | | |
|-----------------------|--------|----------|-------|-------|------------------|
| 1 | SPL140 | 1.998-38 | 3.000 | 4.680 | EY 140-4-901-1 |
| 1 | SPL140 | 1.998-38 | 3.000 | 4.680 | EY 140-4-911-1X |
| 1 | SPL90 | 1.998-38 | 3.000 | 4.250 | EY 90-4-561-1 |
| 1 | SPL90 | 1.998-38 | 3.000 | 4.250 | EY 90-4-571-1X |
| 1 | 1480 | 1.998-38 | 3.000 | 4.281 | EY 3-4-12111-1 |
| 1 | 1480 | 1.998-38 | 3.000 | 4.281 | EY 3-4-12121-1X |
| 1 | 1550 | 1.998-38 | 3.000 | 4.500 | EY 4-4-6971-1 |
| 1 | 1550 | 1.998-38 | 3.000 | 4.500 | EY 4-4-6981-1X |
| 1 | 1610 | 1.998-38 | 3.000 | 4.844 | EY 5-4-8581-1 |
| 1 | 1610 | 1.998-38 | 3.000 | 4.844 | EY 5-4-8591-1X |
| 1 | 1710 | 1.998-38 | 3.000 | 4.844 | EY 6-4-8661-1X |
| 1 | 1710 | 1.998-38 | 3.000 | 4.840 | EY 6-4-9951-1 |
| 1 | 1710 | 1.998-38 | 3.000 | 4.840 | EY 6-4-9961-1X |
| 1 | 1760 | 1.998-38 | 3.000 | 4.844 | EY 6.3-4-1491-1 |
| 1 | 1760 | 1.998-38 | 3.000 | 4.844 | EY 6.3-4-1501-1X |

| G190-T | | | | | |
|---------------|------|----------|-------|-------|---------------|
| 1 | 1710 | 1.998-38 | 3.000 | 4.840 | EY 6-4-9951-1 |

| J175-S, J190-S, J210-S, J220-S | | | | | |
|---------------------------------------|--------|----------|-------|-------|---|
| 1 | 1610 | 2.114-32 | 3.000 | 2.844 | CF 5-1-6691 <i>.424 deep counterbore at hub end</i> |
| 1 | 1610 | 2.114-32 | 3.000 | 2.844 | CF 5-1-6701X <i>.424 deep counterbore at hub end</i> |
| 1 | SPL140 | 2.114-32 | 3.000 | 4.810 | EY 140-4-921-1 |
| 1 | SPL140 | 2.114-32 | 3.000 | 4.810 | EY 140-4-931-1X |
| 1 | SPL170 | 2.114-32 | 3.000 | 5.000 | EY 170-4-891-1 |
| 1 | SPL170 | 2.114-32 | 3.000 | 5.000 | EY 170-4-901-1X |
| 1 | SPL170 | 2.114-32 | 3.000 | 6.312 | EY 170-4-951-1 <i>High angle yoke</i> |
| 1 | SPL170 | 2.114-32 | 3.000 | 6.312 | EY 170-4-961-1X <i>High angle yoke</i> |
| 1 | SPL250 | 2.114-32 | 3.000 | 5.240 | EY 250-4-411-1 |

*C/L to End of Hub for EY (End Yoke); Flange Face to End of Hub for CF (Companion Flange)

■ Hub machined for speedometer gear



| Pos | Series | Spline Data | Hub Dia | * to End of Hub | End Fitting Part Number |
|---|--------|-------------|---------|-----------------|-------------------------|
| J175-S, J190-S, J210-S, J220-S (Continued) | | | | | |
| 1 | SPL250 | 2.114-32 | 3.000 | 5.240 | EY 250-4-421-1X |
| 1 | SPL90 | 2.114-32 | 3.000 | 4.375 | EY 90-4-581-1 |
| 1 | SPL90 | 2.114-32 | 3.000 | 4.375 | EY 90-4-591-1X |
| 1 | 1480 | 2.114-32 | 3.000 | 4.281 | EY 3-4-13341-1 |
| 1 | 1480 | 2.114-32 | 3.000 | 4.281 | EY 3-4-13351-1X |
| 1 | 1550 | 2.114-32 | 3.000 | 4.312 | EY 4-4-6991-1 |
| 1 | 1550 | 2.114-32 | 3.000 | 4.312 | EY 4-4-7001-1X |
| 1 | 1610 | 2.114-32 | 3.000 | 5.375 | EY 5-4-7221X |
| 1 | 1610 | 2.114-32 | 3.000 | 5.375 | EY 5-4-8601-1 |
| 1 | 1610 | 2.114-32 | 3.000 | 5.375 | EY 5-4-8611-1X |
| 1 | 1610 | 2.114-32 | 3.000 | 6.000 | EY 5-4-8681-1 |
| | | | | | <i>High angle yoke</i> |
| 1 | 1610 | 2.114-32 | 3.000 | 6.000 | EY 5-4-8691-1X |
| | | | | | <i>High angle yoke</i> |
| 1 | 1710 | 2.114-32 | 3.000 | 4.562 | EY 6-4-5811 |
| 1 | 1710 | 2.114-32 | 3.000 | 4.562 | EY 6-4-7221X |
| 1 | 1710 | 2.114-32 | 3.000 | 4.562 | EY 6-4-8671-1 |
| 1 | 1710 | 2.114-32 | 3.000 | 4.562 | EY 6-4-8681-1X |
| 1 | 1710 | 2.114-32 | 3.000 | 6.062 | EY 6-4-8751-1 |
| | | | | | <i>High angle yoke</i> |
| 1 | 1710 | 2.114-32 | 3.000 | 6.062 | EY 6-4-8761-1X |
| | | | | | <i>High angle yoke</i> |
| 1 | 1760 | 2.114-32 | 3.000 | 5.000 | EY 6.3-4-1511-1 |
| 1 | 1760 | 2.114-32 | 3.000 | 5.000 | EY 6.3-4-1521-1X |
| 1 | 1810 | 2.114-32 | 3.000 | 5.000 | EY 6.5-4-4451-1 |
| 1 | 1810 | 2.114-32 | 3.000 | 5.000 | EY 6.5-4-4461-1X |

| Pos | Series | Spline Data | Hub Dia | * to End of Hub | End Fitting Part Number |
|----------------|--------|-------------|---------|-----------------|---|
| J230-SB | | | | | |
| 1 | 1610 | 2.114-32 | 3.000 | 2.844 | CF 5-1-6691 |
| | | | | | <i>.424 deep counterbore at hub end</i> |
| 1 | 1610 | 2.114-32 | 3.000 | 2.844 | CF 5-1-6701X |
| | | | | | <i>.424 deep counterbore at hub end</i> |
| 1 | SPL140 | 2.114-32 | 3.000 | 4.810 | EY 140-4-921-1 |
| 1 | SPL140 | 2.114-32 | 3.000 | 4.810 | EY 140-4-931-1X |
| 1 | SPL170 | 2.114-32 | 3.000 | 5.000 | EY 170-4-891-1 |
| 1 | SPL170 | 2.114-32 | 3.000 | 5.000 | EY 170-4-901-1X |
| 1 | SPL170 | 2.114-32 | 3.000 | 6.312 | EY 170-4-951-1 |
| | | | | | <i>High angle yoke</i> |
| 1 | SPL170 | 2.114-32 | 3.000 | 6.312 | EY 170-4-961-1X |
| | | | | | <i>High angle yoke</i> |
| 1 | SPL250 | 2.114-32 | 3.000 | 5.240 | EY 250-4-411-1 |
| 1 | SPL250 | 2.114-32 | 3.000 | 5.240 | EY 250-4-421-1X |
| 1 | SPL90 | 2.114-32 | 3.000 | 4.375 | EY 90-4-581-1 |
| 1 | SPL90 | 2.114-32 | 3.000 | 4.375 | EY 90-4-591-1X |
| 1 | 1480 | 2.114-32 | 3.000 | 4.281 | EY 3-4-13341-1 |
| 1 | 1480 | 2.114-32 | 3.000 | 4.281 | EY 3-4-13351-1X |
| 1 | 1550 | 2.114-32 | 3.000 | 4.312 | EY 4-4-6991-1 |
| 1 | 1550 | 2.114-32 | 3.000 | 4.312 | EY 4-4-7001-1X |
| 1 | 1610 | 2.114-32 | 3.000 | 5.375 | EY 5-4-8601-1 |
| 1 | 1610 | 2.114-32 | 3.000 | 5.375 | EY 5-4-8611-1X |
| 1 | 1610 | 2.114-32 | 3.000 | 6.000 | EY 5-4-8681-1 |
| | | | | | <i>High angle yoke</i> |
| 1 | 1610 | 2.114-32 | 3.000 | 6.000 | EY 5-4-8691-1X |
| | | | | | <i>High angle yoke</i> |
| 1 | 1710 | 2.114-32 | 3.000 | 4.562 | EY 6-4-8671-1 |
| 1 | 1710 | 2.114-32 | 3.000 | 4.562 | EY 6-4-8681-1X |
| 1 | 1710 | 2.114-32 | 3.000 | 6.062 | EY 6-4-8751-1 |
| | | | | | <i>High angle yoke</i> |
| 1 | 1710 | 2.114-32 | 3.000 | 6.062 | EY 6-4-8761-1X |
| | | | | | <i>High angle yoke</i> |
| 1 | 1760 | 2.114-32 | 3.000 | 5.000 | EY 6.3-4-1511-1 |

| Pos | Series | Spline Data | Hub Dia | * to End of Hub | End Fitting Part Number |
|----------------------------|--------|-------------|---------|-----------------|-------------------------|
| J230-SB (Continued) | | | | | |
| 1 | 1760 | 2.114-32 | 3.000 | 5.000 | EY 6.3-4-1521-1X |
| 1 | 1810 | 2.114-32 | 3.000 | 5.000 | EY 6.5-4-4451-1 |
| 1 | 1810 | 2.114-32 | 3.000 | 5.000 | EY 6.5-4-4461-1X |

| Pos | Series | Spline Data | Hub Dia | * to End of Hub | End Fitting Part Number |
|---------------|--------|-------------|---------|-----------------|-------------------------|
| M185-T | | | | | |
| 1 | 1610 | 1.998-38 | 3.000 | 4.844 | EY 5-4-7121X |

| Pos | Series | Spline Data | Hub Dia | * to End of Hub | End Fitting Part Number |
|-----------------------|--------|-------------|---------|-----------------|-------------------------|
| M190-T, M210-T | | | | | |
| 1 | SPL140 | 1.998-38 | 3.000 | 4.680 | EY 140-4-901-1 |
| 1 | SPL140 | 1.998-38 | 3.000 | 4.680 | EY 140-4-911-1X |
| 1 | SPL90 | 1.998-38 | 3.000 | 4.250 | EY 90-4-561-1 |
| 1 | SPL90 | 1.998-38 | 3.000 | 4.250 | EY 90-4-571-1X |
| 1 | 1480 | 1.998-38 | 3.000 | 4.281 | EY 3-4-12111-1 |
| 1 | 1480 | 1.998-38 | 3.000 | 4.281 | EY 3-4-12121-1X |
| 1 | 1550 | 1.998-38 | 3.000 | 4.500 | EY 4-4-6971-1 |
| 1 | 1550 | 1.998-38 | 3.000 | 4.500 | EY 4-4-6981-1X |
| 1 | 1610 | 1.998-38 | 3.000 | 4.844 | EY 5-4-8581-1 |
| 1 | 1610 | 1.998-38 | 3.000 | 4.844 | EY 5-4-8591-1X |
| 1 | 1710 | 1.998-38 | 3.000 | 4.844 | EY 6-4-8651-1 |
| 1 | 1710 | 1.998-38 | 3.000 | 4.844 | EY 6-4-8661-1X |
| 1 | 1760 | 1.998-38 | 3.000 | 4.844 | EY 6.3-4-1491-1 |
| 1 | 1760 | 1.998-38 | 3.000 | 4.844 | EY 6.3-4-1501-1X |

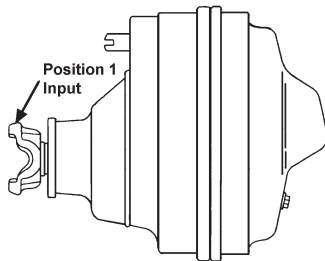
| Pos | Series | Spline Data | Hub Dia | * to End of Hub | End Fitting Part Number |
|---------------|--------|-------------|---------|-----------------|-------------------------|
| M220-T | | | | | |
| 1 | SPL140 | 1.998-38 | 3.000 | 4.680 | EY 140-4-901-1 |
| 1 | SPL140 | 1.998-38 | 3.000 | 4.680 | EY 140-4-911-1X |
| 1 | SPL90 | 1.998-38 | 3.000 | 4.250 | EY 90-4-561-1 |
| 1 | SPL90 | 1.998-38 | 3.000 | 4.250 | EY 90-4-571-1X |
| 1 | 1480 | 1.998-38 | 3.000 | 4.281 | EY 3-4-12111-1 |
| 1 | 1480 | 1.998-38 | 3.000 | 4.281 | EY 3-4-12121-1X |
| 1 | 1550 | 1.998-38 | 3.000 | 4.500 | EY 4-4-6971-1 |
| 1 | 1550 | 1.998-38 | 3.000 | 4.500 | EY 4-4-6981-1X |
| 1 | 1610 | 1.998-38 | 3.000 | 4.844 | EY 5-4-7121X |
| 1 | 1610 | 1.998-38 | 3.000 | 4.844 | EY 5-4-8581-1 |
| 1 | 1610 | 1.998-38 | 3.000 | 4.844 | EY 5-4-8591-1X |
| 1 | 1710 | 1.998-38 | 3.000 | 4.844 | EY 6-4-8651-1 |
| 1 | 1710 | 1.998-38 | 3.000 | 4.844 | EY 6-4-8661-1X |
| 1 | 1760 | 1.998-38 | 3.000 | 4.844 | EY 6.3-4-1491-1 |
| 1 | 1760 | 1.998-38 | 3.000 | 4.844 | EY 6.3-4-1501-1X |

| Pos | Series | Spline Data | Hub Dia | * to End of Hub | End Fitting Part Number |
|---------------|--------|-------------|---------|-----------------|-------------------------|
| M230-T | | | | | |
| 1 | SPL140 | 1.998-38 | 3.000 | 4.680 | EY 140-4-901-1 |
| 1 | SPL140 | 1.998-38 | 3.000 | 4.680 | EY 140-4-911-1X |
| 1 | SPL90 | 1.998-38 | 3.000 | 4.250 | EY 90-4-561-1 |
| 1 | SPL90 | 1.998-38 | 3.000 | 4.250 | EY 90-4-571-1X |
| 1 | 1480 | 1.998-38 | 3.000 | 4.281 | EY 3-4-12111-1 |
| 1 | 1480 | 1.998-38 | 3.000 | 4.281 | EY 3-4-12121-1X |
| 1 | 1550 | 1.998-38 | 3.000 | 4.500 | EY 4-4-6971-1 |
| 1 | 1550 | 1.998-38 | 3.000 | 4.500 | EY 4-4-6981-1X |
| 1 | 1610 | 1.998-38 | 3.000 | 4.844 | EY 5-4-8581-1 |
| 1 | 1610 | 1.998-38 | 3.000 | 4.844 | EY 5-4-8591-1X |
| 1 | 1710 | 1.998-38 | 3.000 | 4.844 | EY 6-4-8651-1 |
| 1 | 1710 | 1.998-38 | 3.000 | 4.844 | EY 6-4-8661-1X |
| 1 | 1760 | 1.998-38 | 3.000 | 4.844 | EY 6.3-4-1491-1 |
| 1 | 1760 | 1.998-38 | 3.000 | 4.844 | EY 6.3-4-1501-1X |

*C/L to End of Hub for EY (End Yoke); Flange Face to End of Hub for CF (Companion Flange)

■ Hub machined for speedometer gear





| Pos | Series | Spline Data | Hub Dia | * to End of Hub | End Fitting Part Number |
|-----|--------|-------------|---------|-----------------|-------------------------|
|-----|--------|-------------|---------|-----------------|-------------------------|

| N175-S, N190-S, N210-S | | | | | |
|-------------------------------|--------|----------|-------|-------|---|
| 1 | 1610 | 2.114-32 | 3.000 | 2.844 | CF 5-1-6691 <i>.424 deep counterbore at hub end</i> |
| 1 | 1610 | 2.114-32 | 3.000 | 2.844 | CF 5-1-6701X <i>.424 deep counterbore at hub end</i> |
| 1 | SPL140 | 2.114-32 | 3.000 | 4.810 | EY 140-4-921-1 |
| 1 | SPL140 | 2.114-32 | 3.000 | 4.810 | EY 140-4-931-1X |
| 1 | SPL170 | 2.114-32 | 3.000 | 5.000 | EY 170-4-891-1 |
| 1 | SPL170 | 2.114-32 | 3.000 | 5.000 | EY 170-4-901-1X |
| 1 | SPL170 | 2.114-32 | 3.000 | 6.312 | EY 170-4-951-1 <i>High angle yoke</i> |
| 1 | SPL170 | 2.114-32 | 3.000 | 6.312 | EY 170-4-961-1X <i>High angle yoke</i> |
| 1 | SPL250 | 2.114-32 | 3.000 | 5.240 | EY 250-4-411-1 |
| 1 | SPL250 | 2.114-32 | 3.000 | 5.240 | EY 250-4-421-1X |
| 1 | SPL90 | 2.114-32 | 3.000 | 4.375 | EY 90-4-581-1 |
| 1 | SPL90 | 2.114-32 | 3.000 | 4.375 | EY 90-4-591-1X |
| 1 | 1480 | 2.114-32 | 3.000 | 4.281 | EY 3-4-13341-1 |
| 1 | 1480 | 2.114-32 | 3.000 | 4.281 | EY 3-4-13351-1X |
| 1 | 1550 | 2.114-32 | 3.000 | 4.312 | EY 4-4-6991-1 |
| 1 | 1550 | 2.114-32 | 3.000 | 4.312 | EY 4-4-7001-1X |
| 1 | 1610 | 2.114-32 | 3.000 | 5.375 | EY 5-4-8601-1 |
| 1 | 1610 | 2.114-32 | 3.000 | 5.375 | EY 5-4-8611-1X |
| 1 | 1610 | 2.114-32 | 3.000 | 6.000 | EY 5-4-8681-1 <i>High angle yoke</i> |
| 1 | 1610 | 2.114-32 | 3.000 | 6.000 | EY 5-4-8691-1X <i>High angle yoke</i> |
| 1 | 1710 | 2.114-32 | 3.000 | 4.562 | EY 6-4-8671-1 |
| 1 | 1710 | 2.114-32 | 3.000 | 4.562 | EY 6-4-8681-1X |
| 1 | 1710 | 2.114-32 | 3.000 | 6.062 | EY 6-4-8751-1 <i>High angle yoke</i> |
| 1 | 1710 | 2.114-32 | 3.000 | 6.062 | EY 6-4-8761-1X <i>High angle yoke</i> |
| 1 | 1760 | 2.114-32 | 3.000 | 5.000 | EY 6.3-4-1511-1 |
| 1 | 1760 | 2.114-32 | 3.000 | 5.000 | EY 6.3-4-1521-1X |
| 1 | 1810 | 2.114-32 | 3.000 | 5.000 | EY 6.5-4-4451-1 |
| 1 | 1810 | 2.114-32 | 3.000 | 5.000 | EY 6.5-4-4461-1X |

| RA-29, RA-30, RA-39 | | | | | |
|----------------------------|------|----------|-------|-------|---------------|
| 1 | 1610 | 1.750-10 | 2.375 | 4.188 | EY 5-4-1481 |
| 1 | 1610 | 1.750-10 | 2.375 | 4.688 | EY 5-4-1481-1 |

| S110 | | | | | |
|-------------|--------|----------|-------|-------|--|
| 1 | SPL140 | 2.024-39 | 3.000 | 4.470 | CF 5007494 |
| 1 | SPL70 | 2.024-39 | 2.875 | 3.375 | CF 5009516 <i>w/serrated flange face & c'bore @ hub end</i> |
| 1 | SPL100 | 2.024-39 | 3.000 | 4.150 | EY 100-4-06608-1X |
| 1 | SPL100 | 1.790-34 | 3.000 | 6.063 | EY 100-4-07842-1 <i>Flanged end yoke.</i> |
| 1 | SPL100 | 2.024-39 | 3.000 | 4.150 | EY 5006607 |
| 1 | SPL100 | 2.024-39 | 3.000 | 4.150 | EY 5006608 |
| 1 | SPL140 | 2.024-39 | 3.000 | 4.470 | EY 140-4-07494X |
| 1 | SPL140 | 2.024-39 | 3.000 | 4.470 | EY 5007493 |
| 1 | SPL140 | 2.024-39 | 3.000 | 4.470 | EY 5007494 |

| Pos | Series | Spline Data | Hub Dia | * to End of Hub | End Fitting Part Number |
|-----|--------|-------------|---------|-----------------|-------------------------|
|-----|--------|-------------|---------|-----------------|-------------------------|

| S110 (Continued) | | | | | |
|-------------------------|-------|----------|-------|-------|------------------|
| 1 | SPL55 | 2.034-39 | 3.000 | 5.438 | EY 5003812 |
| 1 | SPL55 | 2.034-39 | 3.000 | 5.438 | EY 5003813 |
| 1 | SPL55 | 2.024-39 | 3.000 | 3.875 | EY 55-4-03328-1X |
| 1 | SPL55 | 2.034-39 | 3.000 | 5.438 | EY 55-4-03813-1X |
| 1 | SPL70 | 2.024-39 | 3.000 | 3.878 | EY 5006977 |
| 1 | SPL70 | 2.024-39 | 3.000 | 3.878 | EY 70-4-06977X |
| 1 | 1480 | 2.024-39 | 3.000 | 3.878 | EY 3-4-06976-1X |
| 1 | 1480 | 2.024-39 | 3.000 | 3.878 | EY 3-4-14781-1 |
| 1 | 1480 | 2.024-39 | 3.000 | 3.878 | EY 3-4-14791-1X |
| 1 | 1480 | 2.024-39 | 3.000 | 3.878 | EY 5006976 |

| S130 | | | | | |
|-------------|--------|----------|-------|-------|--|
| 1 | SPL70 | 2.024-39 | 2.875 | 3.375 | CF 5009516 <i>w/serrated flange face & c'bore @ hub end</i> |
| 1 | SPL100 | 2.024-39 | 3.000 | 4.150 | EY 100-4-06608-1X |
| 1 | SPL100 | 1.790-34 | 3.000 | 6.063 | EY 100-4-07842-1 <i>Flanged end yoke.</i> |
| 1 | SPL100 | 2.024-39 | 3.000 | 4.150 | EY 5006607 |
| 1 | SPL100 | 2.024-39 | 3.000 | 4.150 | EY 5006608 |
| 1 | SPL140 | 2.024-39 | 3.000 | 4.470 | EY 140-4-07494X |
| 1 | SPL140 | 2.024-39 | 3.000 | 4.470 | EY 5007493 |
| 1 | SPL140 | 2.024-39 | 3.000 | 4.470 | EY 5007494 |
| 1 | SPL70 | 2.024-39 | 3.000 | 3.878 | EY 5001782 |
| 1 | SPL70 | 2.024-39 | 3.000 | 3.878 | EY 5006977 |
| 1 | SPL70 | 2.024-39 | 3.000 | 3.875 | EY 70-4-03330-1X |
| 1 | SPL70 | 2.024-39 | 3.000 | 3.878 | EY 70-4-06977X |
| 1 | 1480 | 2.024-39 | 3.000 | 3.878 | EY 3-4-06976-1X |
| 1 | 1480 | 2.024-39 | 3.000 | 3.878 | EY 3-4-14781-1 |
| 1 | 1480 | 2.024-39 | 3.000 | 3.878 | EY 5006976 |

| S135 | | | | | |
|-------------|-------|----------|-------|-------|----------------|
| 1 | SPL55 | 1.790-34 | 2.375 | 4.219 | EY 55-4-31-1 |
| 1 | SPL55 | 1.790-34 | 2.375 | 4.219 | EY 55-4-41-1X |
| 1 | SPL70 | 1.790-34 | 2.375 | 4.000 | EY 70-4-51-1 |
| 1 | SPL70 | 1.790-34 | 2.375 | 4.000 | EY 70-4-61-1X |
| 1 | SPL90 | 1.790-34 | 2.375 | 5.625 | EY 90-4-541-1 |
| 1 | SPL90 | 1.790-34 | 2.375 | 5.625 | EY 90-4-551-1X |
| 1 | 1480 | 1.790-34 | 2.375 | 4.219 | EY 3-4-12091-1 |
| 1 | 1550 | 1.790-34 | 2.375 | 4.000 | EY 4-4-6951-1 |
| 1 | 1550 | 1.790-34 | 2.375 | 4.000 | EY 4-4-6961-1X |
| 1 | 1610 | 1.790-34 | 2.375 | 4.125 | EY 5-4-8561-1 |
| 1 | 1610 | 1.790-34 | 2.375 | 4.125 | EY 5-4-8571-1X |

| S140 | | | | | |
|-------------|--------|----------|-------|-------|--|
| 1 | SPL100 | 2.024-39 | 3.000 | 4.750 | EY 100-4-1431-1X |
| 1 | SPL100 | 2.024-39 | 3.000 | 6.062 | EY 100-4-1451-1X <i>Counterbore at hub end.</i> |
| 1 | SPL140 | 2.024-39 | 3.000 | 6.250 | EY 140-4-1641-1X <i>Flanged yoke w/8 tapped metric holes.</i> |
| 1 | SPL170 | 2.024-39 | 3.000 | 5.156 | EY 170-4-1991-1X <i>High angle yoke</i> |
| 1 | 1710 | 2.024-39 | 3.000 | 5.250 | EY 6-4-10321-1X |

*C/L to End of Hub for EY (End Yoke); Flange Face to End of Hub for CF (Companion Flange)

■ Hub machined for speedometer gear



| Pos | Series | Spline Data | Hub Dia | * to End of Hub | End Fitting Part Number |
|-------------|--------|-------------|---------|-----------------|---|
| S150 | | | | | |
| 1 | SPL100 | 1.790-34 | 3.001 | 6.547 | EY 100-4-1341-1 <i>Flanged end yoke; OEM only</i> |
| 1 | SPL100 | 1.790-34 | 3.001 | 6.547 | EY 100-4-1351-1X <i>Flanged end yoke; OEM only</i> |
| 1 | SPL55 | 1.790-34 | 2.375 | 4.219 | EY 55-4-31-1 |
| 1 | SPL55 | 1.790-34 | 2.375 | 4.219 | EY 55-4-41-1X |
| 1 | SPL70 | 1.790-34 | 2.375 | 4.000 | EY 70-4-51-1 |
| 1 | SPL70 | 1.790-34 | 2.375 | 4.000 | EY 70-4-61-1X |
| 1 | SPL90 | 1.790-34 | 2.375 | 5.625 | EY 90-4-541-1 |
| 1 | SPL90 | 1.790-34 | 2.375 | 5.625 | EY 90-4-551-1X |
| 1 | 1480 | 1.790-34 | 2.375 | 4.219 | EY 3-4-12091-1 |
| 1 | 1550 | 1.790-34 | 2.375 | 4.000 | EY 4-4-6951-1 |
| 1 | 1550 | 1.790-34 | 2.375 | 4.000 | EY 4-4-6961-1X |
| 1 | 1610 | 1.790-34 | 2.375 | 4.125 | EY 5-4-8561-1 |
| 1 | 1610 | 1.790-34 | 2.375 | 4.125 | EY 5-4-8571-1X |

| Pos | Series | Spline Data | Hub Dia | * to End of Hub | End Fitting Part Number |
|-------------|--------|-------------|---------|-----------------|--|
| S170 | | | | | |
| 1 | 1710 | 2.544-49 | 3.818 | 3.130 | CF 131436K <i>Nut #131095 (incl. in assy) is used only on Spicer Axles; Slinger not sold separately</i> |
| 1 | 1710 | 2.544-49 | 3.818 | 3.130 | CF 5008460 <i>Nut #131095 (incl. in assy) is used only on Spicer Axles;</i> |
| 1 | SPL170 | 2.544-49 | 3.818 | 5.531 | EY 131433K <i>Attach nut #131095 on Spicer Axle only</i> |
| 1 | SPL170 | 2.544-49 | 3.818 | 6.260 | EY 131434K <i>Attach nut #131095 on Spicer Axle only</i> |
| 1 | SPL170 | 2.544-49 | 3.818 | 6.260 | EY 170-4-08451-1X <i>131434K = 170-4-08451-1X & nut# 131095; Spicer axles only</i> |
| 1 | SPL170 | 2.544-49 | 3.820 | 5.531 | EY 170-4-08458-1X <i>131433K = 170-4-08458-1X & nut# 131095; Spicer axles only</i> |
| 1 | SPL170 | 2.544-49 | 3.820 | 5.531 | EY 170-4-2021-1X |
| 1 | SPL250 | 2.544-49 | 3.819 | 5.830 | EY 131435K <i>Attach nut #131095 on Spicer Axle only</i> |
| 1 | SPL250 | 2.544-49 | 3.819 | 5.830 | EY 250-4-08459-1X <i>131435K = 250-4-08459-1X & nut# 131095; Spicer axles only</i> |
| 1 | SPL250 | 2.544-49 | 3.861 | 5.830 | EY 250-4-1301-1X |
| 1 | 1710 | 2.544-49 | 3.819 | 5.570 | EY 131437K <i>Attach nut #131095 on Spicer Axle only</i> |
| 1 | 1710 | 2.544-49 | 3.819 | 6.260 | EY 131438K <i>Attach nut #131095 on Spicer Axle only</i> |
| 1 | 1710 | 2.544-49 | 3.819 | 6.260 | EY 131439K <i>Attach nut #131095 on Spicer Axle only</i> |
| 1 | 1710 | 2.544-49 | 3.819 | 5.570 | EY 131442K <i>Attach nut #131095 on Spicer Axle only</i> |
| 1 | 1710 | 2.544-49 | 3.819 | 6.260 | EY 6-4-08449X <i>131439K = 6-4-08449X & nut# 131095; Spicer axles only</i> |
| 1 | 1710 | 2.544-49 | 3.819 | 6.260 | EY 6-4-08450-1X <i>131438K = 6-4-08450-1X & nut# 131095; Spicer axles only</i> |
| 1 | 1710 | 2.544-49 | 3.819 | 5.570 | EY 6-4-08452X <i>131442K = 6-4-08452X & nut# 131095; Spicer axles only</i> |
| 1 | 1710 | 2.544-49 | 3.819 | 5.570 | EY 6-4-08453-1X <i>131437K = 6-4-08453-1X & nut 131095; Spicer axles only</i> |
| 1 | 1760 | 2.544-49 | 3.818 | 5.200 | EY 131440K <i>Attach nut #131095 on Spicer Axle only</i> |
| 1 | 1760 | 2.544-49 | 3.818 | 5.200 | EY 131441K <i>Attach nut #131095 on Spicer Axle only</i> |
| 1 | 1760 | 2.544-49 | 3.818 | 5.200 | EY 5008454 <i>Attach nut #131095 on Spicer Axle only</i> |
| 1 | 1760 | 2.544-49 | 3.818 | 5.200 | EY 6.3-4-08454X <i>131441K = 6.3-4-08454X & nut# 131095; Spicer axles only</i> |
| 1 | 1760 | 2.544-49 | 3.818 | 5.200 | EY 6.3-4-08455-1X <i>131440K = 6.3-4-08455-1X & nut# 131095; Spicer axles only</i> |
| 1 | 1760 | 2.544-49 | 3.818 | 5.200 | EY 6.3-4-1861-1 <i>131440K = 6.3-4-08455-1X & nut# 131095; Spicer axles only</i> |

| Pos | Series | Spline Data | Hub Dia | * to End of Hub | End Fitting Part Number |
|-------------------------|--------|-------------|---------|-----------------|---|
| S170 (Continued) | | | | | |
| 1 | 1810 | 2.544-49 | 3.818 | 5.740 | EY 131443K <i>Attach nut #131095 on Spicer Axle only</i> |
| 1 | 1810 | 2.544-49 | 3.818 | 5.740 | EY 131444K <i>Attach nut #131095 on Spicer Axle only</i> |
| 1 | 1810 | 2.544-49 | 3.818 | 5.740 | EY 6.5-4-08456X <i>131444K = 6.5-4-08456X & nut# 131095; Spicer axles only</i> |
| 1 | 1810 | 2.544-49 | 3.818 | 5.740 | EY 6.5-4-08457-1X <i>131443K = 6.5-4-08457-1X & nut# 131095; Spicer axles only</i> |
| 1 | 1810 | 2.544-49 | 3.818 | 5.740 | EY 6.5-4-5091 <i>131444K = 6.5-4-08456X & nut# 131095; Spicer axles only</i> |
| 1 | 1810 | 2.544-49 | 3.818 | 5.740 | EY 6.5-4-5091-1 <i>131443K = 6.5-4-08457-1X & nut# 131095; Spicer axles only</i> |

| Pos | Series | Spline Data | Hub Dia | * to End of Hub | End Fitting Part Number |
|-------------|--------|-------------|---------|-----------------|--|
| S175 | | | | | |
| 1 | SPL170 | 2.024-39 | 3.000 | 5.031 | EY 170-4-841-1 |
| 1 | SPL170 | 2.024-39 | 3.000 | 5.031 | EY 170-4-861-1X |
| 1 | SPL250 | 2.024-39 | 3.000 | 5.240 | EY 250-4-381-1 |
| 1 | 1610 | 2.024-39 | 3.000 | 6.000 | EY 5-4-9291-1 <i>High angle yoke</i> |
| 1 | 1610 | 2.024-39 | 3.000 | 6.000 | EY 5-4-9311-1X <i>High angle yoke</i> |
| 1 | 1710 | 2.024-39 | 3.000 | 6.000 | EY 6-4-9291-1 <i>High angle yoke</i> |
| 1 | 1710 | 2.024-39 | 3.000 | 6.000 | EY 6-4-9301-1X <i>High angle yoke</i> |
| 1 | 1710 | 2.024-39 | 3.000 | 4.656 | EY 6-4-9421-1 |
| 1 | 1710 | 2.024-39 | 3.000 | 4.656 | EY 6-4-9431-1X |
| 1 | 1760 | 2.024-39 | 3.000 | 5.625 | EY 6.3-4-1701-1 |
| 1 | 1810 | 2.024-39 | 3.000 | 5.000 | EY 6.5-4-4651-1 |

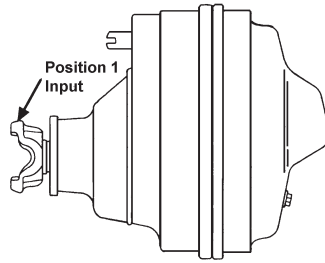
| Pos | Series | Spline Data | Hub Dia | * to End of Hub | End Fitting Part Number |
|-------------|--------|-------------|---------|-----------------|--|
| S190 | | | | | |
| 1 | 1710 | 2.544-49 | 3.818 | 3.130 | CF 131436K <i>Nut #131095 (incl. in assy) is used only on Spicer Axles; Slinger not sold separately</i> |
| 1 | 1710 | 2.544-49 | 3.818 | 3.130 | CF 5008460 <i>Nut #131095 (incl. in assy) is used only on Spicer Axles.</i> |
| 1 | SPL170 | 2.544-49 | 3.818 | 5.531 | EY 131433K <i>Attach nut #131095 on Spicer Axle only</i> |
| 1 | SPL170 | 2.544-49 | 3.818 | 6.260 | EY 131434K <i>Attach nut #131095 on Spicer Axle only</i> |
| 1 | SPL170 | 2.544-49 | 3.818 | 6.260 | EY 170-4-08451-1X <i>131434K = 170-4-08451-1X & nut# 131095; Spicer axles only</i> |
| 1 | SPL170 | 2.544-49 | 3.820 | 5.531 | EY 170-4-08458-1X <i>131433K = 170-4-08458-1X & nut# 131095; Spicer axles only</i> |
| 1 | SPL170 | 2.544-49 | 3.820 | 5.531 | EY 170-4-1891-1 |
| 1 | SPL170 | 2.544-49 | 3.820 | 5.531 | EY 170-4-2021-1X |
| 1 | SPL170 | 2.024-39 | 3.000 | 5.031 | EY 170-4-841-1 |
| 1 | SPL170 | 2.024-39 | 3.000 | 5.031 | EY 170-4-861-1X |
| 1 | SPL250 | 2.544-49 | 3.819 | 5.830 | EY 131435K <i>Attach nut #131095 on Spicer Axle only</i> |
| 1 | SPL250 | 2.544-49 | 3.819 | 5.830 | EY 250-4-08459-1X <i>131435K = 250-4-08459-1X & nut# 131095; Spicer axles only</i> |
| 1 | SPL250 | 2.544-49 | 3.861 | 5.830 | EY 250-4-1301-1X |
| 1 | SPL250 | 2.024-39 | 3.000 | 5.240 | EY 250-4-381-1 |
| 1 | 1610 | 2.024-39 | 3.000 | 6.000 | EY 5-4-9291-1 <i>High angle yoke</i> |
| 1 | 1610 | 2.024-39 | 3.000 | 6.000 | EY 5-4-9311-1X <i>High angle yoke</i> |
| 1 | 1710 | 2.544-49 | 3.819 | 5.570 | EY 131437K <i>Attach nut #131095 on Spicer Axle only</i> |
| 1 | 1710 | 2.544-49 | 3.819 | 6.260 | EY 131438K <i>Attach nut #131095 on Spicer Axle only</i> |
| 1 | 1710 | 2.544-49 | 3.819 | 6.260 | EY 131439K <i>Attach nut #131095 on Spicer Axle only</i> |

Continued on next page

*C/L to End of Hub for EY (End Yoke); Flange Face to End of Hub for CF (Companion Flange)

■ Hub machined for speedometer gear





| Pos | Series | Spline Data | Hub Dia | * to End of Hub | End Fitting Part Number |
|-----|--------|-------------|---------|-----------------|-------------------------|
|-----|--------|-------------|---------|-----------------|-------------------------|

S190 (Continued)

| | | | | | |
|---|------|----------|-------|-------|---|
| 1 | 1710 | 2.544-49 | 3.819 | 5.570 | EY 131442K <i>Attach nut #131095 on Spicer Axle only</i> |
| 1 | 1710 | 2.544-49 | 3.819 | 6.260 | EY 6-4-08450-1X <i>131438K = 6-4-08450-1X & nut# 131095; Spicer axles only</i> |
| 1 | 1710 | 2.544-49 | 3.819 | 5.570 | EY 6-4-08452X <i>131442K = 6-4-08452X & nut# 131095; Spicer axles only</i> |
| 1 | 1710 | 2.544-49 | 3.819 | 5.570 | EY 6-4-08453-1X <i>131437K = 6-4-08453-1X & nut 131095; Spicer axles only</i> |
| 1 | 1710 | 2.544-49 | 3.819 | 5.570 | EY 6-4-10291 <i>131442K = 6-4-08452X & nut# 131095; Spicer axles only</i> |
| 1 | 1710 | 2.544-49 | 3.819 | 5.570 | EY 6-4-10291-1 <i>131437K = 6-4-08453-1X & nut 131095; Spicer axles only</i> |
| 1 | 1710 | 2.544-49 | 3.819 | 6.260 | EY 6-4-10311 <i>131439K = 6-4-08449X & nut# 131095; Spicer axles only</i> |
| 1 | 1710 | 2.544-49 | 3.819 | 6.260 | EY 6-4-10311-1 <i>131438K = 6-4-08450-1X & nut# 131095; Spicer axles only</i> |
| 1 | 1710 | 2.024-39 | 3.000 | 6.000 | EY 6-4-9291-1 <i>High angle yoke</i> |
| 1 | 1710 | 2.024-39 | 3.000 | 6.000 | EY 6-4-9301-1X <i>High angle yoke</i> |
| 1 | 1710 | 2.024-39 | 3.000 | 4.656 | EY 6-4-9421-1 |
| 1 | 1710 | 2.024-39 | 3.000 | 4.656 | EY 6-4-9431-1X |
| 1 | 1760 | 2.544-49 | 3.818 | 5.200 | EY 131440K <i>Attach nut #131095 on Spicer Axle only</i> |
| 1 | 1760 | 2.544-49 | 3.818 | 5.200 | EY 131441K <i>Attach nut #131095 on Spicer Axle only</i> |
| 1 | 1760 | 2.544-49 | 3.818 | 5.200 | EY 6.3-4-08454X <i>131441K = 6.3-4-08454X & nut# 131095; Spicer axles only</i> |
| 1 | 1760 | 2.544-49 | 3.818 | 5.200 | EY 6.3-4-08455-1X <i>131440K = 6.3-4-08455-1X & nut# 131095; Spicer axles only</i> |
| 1 | 1760 | 2.024-39 | 3.000 | 5.625 | EY 6.3-4-1701-1 |
| 1 | 1760 | 2.544-49 | 3.818 | 5.200 | EY 6.3-4-1861-1 <i>131440K = 6.3-4-08455-1X & nut# 131095; Spicer axles only</i> |
| 1 | 1810 | 2.544-49 | 3.818 | 5.740 | EY 131443K <i>Attach nut #131095 on Spicer Axle only</i> |
| 1 | 1810 | 2.544-49 | 3.818 | 5.740 | EY 131444K <i>Attach nut #131095 on Spicer Axle only</i> |
| 1 | 1810 | 2.544-49 | 3.818 | 5.740 | EY 6.5-4-08456X <i>131444K = 6.5-4-08456X & nut# 131095; Spicer axles only</i> |
| 1 | 1810 | 2.544-49 | 3.818 | 5.740 | EY 6.5-4-08457-1X <i>131443K = 6.5-4-08457-1X & nut# 131095; Spicer axles only</i> |
| 1 | 1810 | 2.024-39 | 3.000 | 5.000 | EY 6.5-4-4651-1 |
| 1 | 1810 | 2.544-49 | 3.818 | 5.740 | EY 6.5-4-5091 <i>131444K = 6.5-4-08456X & nut# 131095; Spicer axles only</i> |
| 1 | 1810 | 2.544-49 | 3.818 | 5.740 | EY 6.5-4-5091-1 <i>131443K = 6.5-4-08457-1X & nut# 131095; Spicer axles only</i> |

S210

| | | | | | |
|---|--------|----------|-------|-------|--|
| 1 | SPL170 | 2.024-39 | 3.000 | 5.031 | EY 170-4-841-1 |
| 1 | SPL170 | 2.024-39 | 3.000 | 5.031 | EY 170-4-861-1X |
| 1 | SPL250 | 2.024-39 | 3.000 | 5.240 | EY 250-4-381-1 |
| 1 | 1610 | 2.024-39 | 3.000 | 6.000 | EY 5-4-9291-1 <i>High angle yoke</i> |
| 1 | 1610 | 2.024-39 | 3.000 | 6.000 | EY 5-4-9311-1X <i>High angle yoke</i> |

| Pos | Series | Spline Data | Hub Dia | * to End of Hub | End Fitting Part Number |
|-----|--------|-------------|---------|-----------------|-------------------------|
|-----|--------|-------------|---------|-----------------|-------------------------|

S210 (Continued)

| | | | | | |
|---|------|----------|-------|-------|--|
| 1 | 1710 | 2.024-39 | 3.000 | 6.000 | EY 6-4-9291-1 <i>High angle yoke</i> |
| 1 | 1710 | 2.024-39 | 3.000 | 6.000 | EY 6-4-9301-1X <i>High angle yoke</i> |
| 1 | 1710 | 2.024-39 | 3.000 | 4.656 | EY 6-4-9421-1 |
| 1 | 1710 | 2.024-39 | 3.000 | 4.656 | EY 6-4-9431-1X |
| 1 | 1760 | 2.024-39 | 3.000 | 5.625 | EY 6.3-4-1701-1 |
| 1 | 1810 | 2.024-39 | 3.000 | 5.000 | EY 6.5-4-4651-1 |

S220

| | | | | | |
|---|--------|----------|-------|-------|--|
| 1 | SPL170 | 2.024-39 | 3.000 | 5.031 | EY 170-4-841-1 |
| 1 | SPL170 | 2.024-39 | 3.000 | 5.031 | EY 170-4-861-1X |
| 1 | SPL250 | 2.024-39 | 3.000 | 5.240 | EY 250-4-381-1 |
| 1 | 1610 | 2.024-39 | 3.000 | 6.000 | EY 5-4-9291-1 <i>High angle yoke</i> |
| 1 | 1610 | 2.024-39 | 3.000 | 6.000 | EY 5-4-9311-1X <i>High angle yoke</i> |
| 1 | 1710 | 2.024-39 | 3.000 | 6.000 | EY 6-4-9291-1 <i>High angle yoke</i> |
| 1 | 1710 | 2.024-39 | 3.000 | 6.000 | EY 6-4-9301-1X <i>High angle yoke</i> |
| 1 | 1710 | 2.024-39 | 3.000 | 4.656 | EY 6-4-9421-1 |
| 1 | 1710 | 2.024-39 | 3.000 | 4.656 | EY 6-4-9431-1X |
| 1 | 1760 | 2.024-39 | 3.000 | 5.625 | EY 6.3-4-1701-1 |
| 1 | 1810 | 2.024-39 | 3.000 | 5.000 | EY 6.5-4-4651-1 |

S230-S, S300-S

| | | | | | |
|---|--------|----------|-------|-------|------------------|
| 1 | SPL170 | 2.364-36 | 3.500 | 5.270 | EY 170-4-1031-1 |
| 1 | SPL170 | 2.364-36 | 3.500 | 5.270 | EY 170-4-1041-1X |
| 1 | 1710 | 2.364-36 | 3.500 | 5.234 | EY 6-4-8791-1 |
| 1 | 1710 | 2.364-36 | 3.500 | 5.234 | EY 6-4-8801-1X |
| 1 | 1760 | 2.364-36 | 3.500 | 5.230 | EY 6.3-4-1601-1 |
| 1 | 1760 | 2.364-36 | 3.500 | 5.230 | EY 6.3-4-1611-1X |
| 1 | 1810 | 2.364-36 | 3.500 | 5.230 | EY 6.5-4-4471-1 |
| 1 | 1810 | 2.364-36 | 3.500 | 5.230 | EY 6.5-4-4481-1X |

S400

| | | | | | |
|---|--------|----------|-------|-------|--|
| 1 | SPL170 | 2.024-39 | 3.000 | 5.031 | EY 170-4-841-1 |
| 1 | SPL170 | 2.024-39 | 3.000 | 5.031 | EY 170-4-861-1X |
| 1 | SPL250 | 2.024-39 | 3.000 | 5.240 | EY 250-4-381-1 |
| 1 | 1610 | 2.024-39 | 3.000 | 6.000 | EY 5-4-9291-1 <i>High angle yoke</i> |
| 1 | 1610 | 2.024-39 | 3.000 | 6.000 | EY 5-4-9311-1X <i>High angle yoke</i> |
| 1 | 1710 | 2.024-39 | 3.000 | 6.000 | EY 6-4-9291-1 <i>High angle yoke</i> |
| 1 | 1710 | 2.024-39 | 3.000 | 6.000 | EY 6-4-9301-1X <i>High angle yoke</i> |
| 1 | 1710 | 2.024-39 | 3.000 | 4.656 | EY 6-4-9421-1 |
| 1 | 1710 | 2.024-39 | 3.000 | 4.656 | EY 6-4-9431-1X |
| 1 | 1760 | 2.024-39 | 3.000 | 5.625 | EY 6.3-4-1701-1 |
| 1 | 1810 | 2.024-39 | 3.000 | 5.000 | EY 6.5-4-4651-1 |

*C/L to End of Hub for EY (End Yoke); Flange Face to End of Hub for CF (Companion Flange)

■ Hub machined for speedometer gear



| Pos | Series | Spline Data | Hub Dia | * to End of Hub | End Fitting Part Number |
|---|-----------|-------------|---------|-----------------|---|
| S590 | | | | | |
| 1 | SPL170 | 2.544-49 | 3.820 | 6.040 | EY 132863K <i>Attach nut #131095 on Spicer Axle only</i> |
| 1 | SPL170 | 2.544-49 | 3.820 | 6.812 | EY 132931K <i>Attach nut #131095 on Spicer Axle only</i> |
| 1 | SPL170 | 2.544-49 | 3.820 | 6.040 | EY 170-4-08444-1X <i>132863K = 170-4-08444-1X & nut# 131095; Spicer axles only</i> |
| 1 | SPL170 | 2.544-49 | 3.820 | 6.810 | EY 170-4-08461-1X <i>132931K = 170-4-08461-1X & nut# 131095; Spicer axles only</i> |
| 1 | SPL250 | 2.544-49 | 3.819 | 6.200 | EY 131446K <i>Attach nut #131095 on Spicer Axle only</i> |
| 1 | SPL250 | 2.544-49 | 3.819 | 6.200 | EY 250-4-08445-1X <i>131446K = 250-4-08445-1X & nut# 131095; Spicer axles only</i> |
| 1 | 1710 | 2.544-49 | 3.819 | 6.050 | EY 131519K <i>Attach nut #131095 on Spicer Axle only</i> |
| 1 | 1710 | 2.544-49 | 3.819 | 6.050 | EY 131530K <i>Attach nut #131095 on Spicer Axle only</i> |
| 1 | 1710 | 2.544-49 | 3.819 | 6.050 | EY 6-4-08438X <i>131530K = 6-4-08438X & nut# 131095; Spicer axles only</i> |
| 1 | 1760 | 2.544-49 | 3.819 | 6.050 | EY 131520K <i>Attach nut #131095 on Spicer Axle only</i> |
| 1 | 1810 | 2.544-49 | 3.820 | 5.740 | EY 131447K <i>Attach nut #131095 on Spicer Axle only</i> |
| 1 | 1810 | 2.544-49 | 3.819 | 5.740 | EY 131448K <i>Attach nut #131095 on Spicer Axle only</i> |
| 1 | 1810 | 2.544-49 | 3.819 | 5.740 | EY 6.5-4-08442X <i>131448K = 6.5-4-08442X & nut# 131095; Spicer axles only</i> |
| 1 | 1810 | 2.544-49 | 3.820 | 5.740 | EY 6.5-4-08443-1X <i>131447K = 6.5-4-08443-1X & nut# 131095; Spicer axles only</i> |
| T170, T190 | | | | | |
| 1 | SPL170 | 2.544-49 | 3.820 | 6.810 | EY 170-4-08461-1X <i>132931K = 170-4-08461-1X & nut# 131095; Spicer axles only</i> |
| W190-S, W190-T, W210-T, W220-S, W220-T | | | | | |
| 1 | 1710 | 1.998-38 | 3.000 | 4.840 | EY 6-4-9951-1 |
| W230-S | | | | | |
| 1 | SPL170 | 2.364-36 | 3.000 | 5.470 | EY 170-4-1011-1 |
| 1 | SPL170 | 2.364-36 | 3.000 | 5.470 | EY 170-4-1021-1X |
| 1 | SPL90 | 2.364-36 | 3.000 | 4.812 | EY 90-4-601-1 |
| 1 | SPL90 | 2.364-36 | 3.000 | 4.812 | EY 90-4-611-1X |
| 1 | 1550 | 2.364-36 | 3.000 | 5.078 | EY 4-4-7011-1 |
| 1 | 1550 | 2.364-36 | 3.000 | 5.078 | EY 4-4-7111-1X |
| 1 | 1610 | 2.364-36 | 3.000 | 5.156 | EY 5-4-8621-1 |
| 1 | 1610 | 2.364-36 | 3.000 | 5.156 | EY 5-4-8631-1X |
| 1 | 1710 | 2.364-36 | 3.000 | 5.438 | EY 6-4-5711 |
| 1 | 1710 | 2.364-36 | 3.000 | 5.438 | EY 6-4-8691-1 |
| 1 | 1710 | 2.364-36 | 3.000 | 5.438 | EY 6-4-8701-1X |
| 1 | 1760 | 2.364-36 | 3.000 | 5.438 | EY 6.3-4-1531-1 |
| 1 | 1760 | 2.364-36 | 3.000 | 5.438 | EY 6.3-4-1541-1X |
| 1 | 1810 | 2.364-36 | 3.000 | 5.438 | EY 6.5-4-3161 |
| 1 | 1810 | 2.364-36 | 3.000 | 5.438 | EY 6.5-4-3651X |
| 1 | 1810 | 2.364-36 | 3.000 | 5.438 | EY 6.5-4-4411-1 |
| 1 | 1810 | 2.364-36 | 3.000 | 5.438 | EY 6.5-4-4421-1X |
| 28 | | | | | |
| 1 | 1310 | 1.026-23 | 1.552 | 3.000 | EY 2-4-6131-1X |
| 30 | | | | | |
| 1 | 1280/1310 | 1.146-26 | 1.554 | 2.594 | CF 2-1-1881X |
| 1 | 1310 | 1.146-26 | 1.552 | 3.406 | EY 2-4-5251X <i>Spec. yoke w/1.125 dia. brg. caps</i> |
| 1 | 1310 | 1.146-26 | 1.552 | 3.000 | EY 2-4-8091-1X |
| 1 | 1310 | 1.146-26 | 1.552 | 3.000 | EY 2-4-8091X |
| 1 | 1330 | 1.146-26 | 1.552 | 3.000 | EY 2-4-3581-1X |
| 1 | 1330 | 1.146-26 | 1.562 | 3.000 | EY 2-4-6111X |

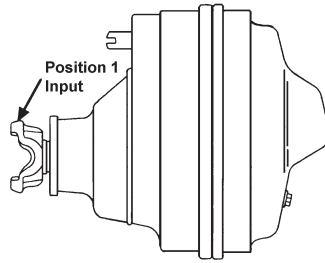
| Pos | Series | Spline Data | Hub Dia | * to End of Hub | End Fitting Part Number |
|-----------------|-----------|-------------|---------|-----------------|--|
| 35-FRONT | | | | | |
| 1 | 1310 | 1.146-26 | 1.844 | 2.938 | EY 2-4-6901-1X |
| 35-REAR | | | | | |
| 1 | 1310 | 1.146-26 | 1.844 | 2.938 | EY 2-4-4601-1 |
| 1 | 1330 | 1.146-26 | 1.844 | 3.562 | EY 2-4-7631-1 <i>High angle yoke</i> |
| 1 | 7260 | 1.146-26 | 1.844 | 3.219 | EY 2-4-7661-1 |
| 36 | | | | | |
| 1 | 1310 | 1.146-26 | 1.552 | 3.000 | EY 2-4-8091-1X |
| 44, 50 | | | | | |
| 1 | 1280/1310 | 1.146-26 | 1.554 | 2.594 | CF 2-1-1881X |
| 1 | 1310 | 1.146-26 | 1.552 | 3.406 | EY 2-4-5251X <i>Spec. yoke w/1.125 dia. brg. caps</i> |
| 1 | 1310 | 1.146-26 | 1.552 | 3.000 | EY 2-4-8091-1X |
| 1 | 1310 | 1.146-26 | 1.552 | 3.000 | EY 2-4-8091X |
| 1 | 1330 | 1.146-26 | 1.552 | 3.000 | EY 2-4-3581-1X |
| 1 | 1330 | 1.146-26 | 1.562 | 3.000 | EY 2-4-6111X |
| 60 | | | | | |
| 1 | 1350/1410 | 1.276-29 | 1.875 | 2.062 | CF 3-1-4041X |
| 1 | 1310 | 1.276-29 | 1.875 | 2.938 | EY 2-4-3801-1X |
| 1 | 1310 | 1.276-29 | 1.875 | 2.938 | EY 2-4-3801X |
| 1 | 1330 | 1.276-29 | 1.875 | 2.938 | EY 2-4-4291-1X |
| 1 | 1330 | 1.276-29 | 1.875 | 2.938 | EY 2-4-5311X |
| 1 | 1330 | 1.276-29 | 1.875 | 2.938 | EY 2-4-8051X |
| 1 | 1350 | 1.276-29 | 1.875 | 3.000 | EY 3-4-5731-1X |
| 1 | 1410 | 1.276-29 | 1.875 | 3.188 | EY 3-4-5711-1X |
| 1 | 7290 | 1.276-29 | 1.875 | 3.359 | EY 2-4-7681-1X |
| 61 | | | | | |
| 1 | 1350/1410 | 1.276-29 | 1.875 | 2.062 | CF 3-1-4041X |
| 1 | 1310 | 1.276-29 | 1.875 | 2.938 | EY 2-4-3801-1X |
| 1 | 1310 | 1.276-29 | 1.875 | 2.938 | EY 2-4-3801X |
| 1 | 1330 | 1.276-29 | 1.875 | 2.938 | EY 2-4-4291-1X |
| 1 | 1330 | 1.276-29 | 1.875 | 2.938 | EY 2-4-5311X |
| 1 | 1330 | 1.276-29 | 1.875 | 2.938 | EY 2-4-8051X |
| 1 | 1350 | 1.276-29 | 1.875 | 3.000 | EY 3-4-5731-1X |
| 1 | 1410 | 1.276-29 | 1.875 | 3.188 | EY 3-4-5711-1X |
| 70 | | | | | |
| 1 | 1350/1410 | 1.276-29 | 1.875 | 2.062 | CF 3-1-4041X |
| 1 | 1310 | 1.276-29 | 1.875 | 2.938 | EY 2-4-3801-1X |
| 1 | 1310 | 1.276-29 | 1.875 | 2.938 | EY 2-4-3801X |
| 1 | 1330 | 1.276-29 | 1.875 | 2.938 | EY 2-4-4291-1X |
| 1 | 1330 | 1.276-29 | 1.875 | 2.938 | EY 2-4-5311X |
| 1 | 1330 | 1.276-29 | 1.875 | 2.938 | EY 2-4-8051X |
| 1 | 1350 | 1.276-29 | 1.875 | 3.200 | EY 3-4-14711-1X <i>Attaching hardware by OEM</i> |
| 1 | 1350 | 1.276-29 | 1.875 | 3.000 | EY 3-4-5731-1X |
| 1 | 1410 | 1.276-29 | 1.875 | 3.188 | EY 3-4-5711-1X |
| 80 | | | | | |
| 1 | 1410 | 1.609-37 | 2.500 | 4.312 | EY 3-4-11081-1X |
| 1 | 1410 | 1.276-29 | 1.875 | 3.188 | EY 5003491 |
| 1 | 1480 | 1.609-37 | 2.500 | 4.328 | EY 3-4-11281-1X |
| 1 | 1480 | 1.609-37 | 2.500 | 4.328 | EY 3-4-14731-1X |
| 1 | 1550 | 1.609-37 | 2.500 | 4.406 | EY 4-4-6851-1X |
| 300-S | | | | | |
| 1 | 1810 | 2.364-36 | 3.500 | 5.230 | EY 6.5-4-4471-1 |
| 1 | 1810 | 2.364-36 | 3.500 | 5.230 | EY 6.5-4-4481-1X |

*C/L to End of Hub for EY (End Yoke); Flange Face to End of Hub for CF (Companion Flange)

■ Hub machined for speedometer gear



Important: See Safety Information in General Information Section (J300P-GI)



| Pos | Series | Spline Data | Hub Dia | * to End of Hub | End Fitting Part Number |
|-------------|--------|-------------|---------|-----------------|--|
| 2501 | | | | | |
| 1 | 1610 | 2.149-16 | 2.938 | 6.250 | EY 5-4-5161-1X |
| 1 | 1610 | 2.149-16 | 2.938 | 6.250 | EY 5-4-5161X <i>High angle yoke</i> |
| 1 | 1710 | 2.149-16 | 2.938 | 5.500 | EY 6-4-4171-1X |
| 1 | 1710 | 2.149-16 | 2.938 | 5.500 | EY 6-4-4171X |
| 1 | 1760 | 2.149-16 | 2.938 | 5.812 | EY 6.3-4-251-1X |
| 1 | 1760 | 2.149-16 | 2.938 | 5.812 | EY 6.3-4-251X |
| 1 | 1810 | 2.149-16 | 2.938 | 5.812 | EY 6.5-4-2291 |
| 1 | 1810 | 2.149-16 | 2.938 | 5.812 | EY 6.5-4-2291-1 |
| 1 | 1810 | 2.149-16 | 2.938 | 5.812 | EY 6.5-4-2401-1X |
| 1 | 1810 | 2.149-16 | 2.938 | 5.812 | EY 6.5-4-2401X |

| | | | | | |
|--------------|------|----------|-------|-------|----------------|
| 13101 | | | | | |
| 1 | 1480 | 1.500-10 | 2.250 | 4.200 | EY 3-4-3781-1 |
| 1 | 1480 | 1.500-10 | 2.250 | 4.200 | EY 3-4-6221-1X |

| | | | | | |
|----------------|--------|----------|-------|-------|-----------------|
| 15040-P | | | | | |
| 1 | SPL140 | 1.790-34 | 2.625 | 4.870 | EY 140-4-461-1 |
| 1 | 1410 | 1.790-34 | 2.625 | 4.031 | EY 3-4-10251-1 |
| 1 | 1480 | 1.790-34 | 2.625 | 4.281 | EY 3-4-10261-1 |
| 1 | 1480 | 1.790-34 | 2.625 | 4.281 | EY 3-4-11921-1X |
| 1 | 1550 | 1.790-34 | 2.625 | 4.275 | EY 4-4-5551-1 |
| 1 | 1610 | 1.790-34 | 2.625 | 4.750 | EY 5-4-7261-1 |
| 1 | 1610 | 1.790-34 | 2.625 | 4.750 | EY 5-4-7301-1X |
| 1 | 1710 | 1.790-34 | 2.625 | 5.438 | EY 6-4-7571-1 |
| 1 | 1710 | 1.790-34 | 2.625 | 5.438 | EY 6-4-7581-1X |

| | | | | | |
|-------------------------|--------|----------|-------|-------|-----------------|
| 15040-S, 15040-T | | | | | |
| 1 | SPL140 | 1.790-34 | 2.625 | 4.870 | EY 140-4-461-1 |
| 1 | SPL140 | 1.790-34 | 2.625 | 4.870 | EY 140-4-471-1X |
| 1 | SPL140 | 1.790-34 | 2.625 | 4.870 | EY 140-4-481-1X |
| 1 | 1410 | 1.790-34 | 2.625 | 4.031 | EY 3-4-10251-1 |
| 1 | 1410 | 1.790-34 | 2.625 | 4.031 | EY 3-4-10461-1X |
| 1 | 1480 | 1.790-34 | 2.625 | 4.281 | EY 3-4-10261-1 |
| 1 | 1480 | 1.790-34 | 2.625 | 4.281 | EY 3-4-10471-1X |
| 1 | 1480 | 1.790-34 | 2.625 | 4.281 | EY 3-4-11921-1X |
| 1 | 1550 | 1.790-34 | 2.625 | 4.275 | EY 4-4-5551-1 |
| 1 | 1550 | 1.790-34 | 2.625 | 4.275 | EY 4-4-5611-1X |
| 1 | 1610 | 1.790-34 | 2.625 | 4.750 | EY 5-4-7261-1 |
| 1 | 1610 | 1.790-34 | 2.625 | 4.750 | EY 5-4-7301-1X |
| 1 | 1710 | 1.790-34 | 2.625 | 5.438 | EY 6-4-7571-1 |
| 1 | 1710 | 1.790-34 | 2.625 | 5.438 | EY 6-4-7581-1X |

| | | | | | |
|----------------------------|------|----------|-------|-------|----------------|
| 15101, 15201, 15301 | | | | | |
| 1 | 1480 | 1.500-10 | 2.250 | 4.200 | EY 3-4-3781-1 |
| 1 | 1480 | 1.500-10 | 2.250 | 4.200 | EY 3-4-6221-1X |

| | | | | | |
|--------------|------|----------|-------|-------|--|
| 16121 | | | | | |
| 1 | 1550 | 1.750-10 | 2.625 | 4.672 | EY 4-4-3581-1X <i>All ratios except 4.33.; .250 deep spline chamfer</i> |
| 1 | 1610 | 1.962-10 | 2.625 | 6.000 | EY 5-4-4771X <i>W/4.33 ratio.; High angle yoke</i> |

| Pos | Series | Spline Data | Hub Dia | * to End of Hub | End Fitting Part Number |
|--------------------------|--------|-------------|---------|-----------------|--|
| 16121 (Continued) | | | | | |
| 1 | 1610 | 1.750-10 | 2.625 | 4.750 | EY 5-4-5111-1X <i>All ratios except 4.33.</i> |
| 1 | 1610 | 1.750-10 | 2.625 | 4.750 | EY 5-4-5111X <i>All ratios except 4.33.</i> |
| 1 | 1610 | 1.962-10 | 2.625 | 4.719 | EY 5-4-5121X <i>W/4.33 ratio.</i> |
| 1 | 1710 | 1.750-10 | 2.625 | 5.250 | EY 6-4-4301X <i>All ratios except 4.33.; Chamfered Counterbore</i> |
| 1 | 1710 | 1.962-10 | 2.625 | 6.125 | EY 6-4-4851X <i>W/4.33 ratio.; Chamfered Counterbore; High angle yoke</i> |
| 1 | 1710 | 1.750-10 | 2.625 | 6.125 | EY 6-4-4861X <i>All ratios except 4.33.; Chamfered Counterbore; High angle yoke</i> |
| 1 | 1710 | 1.962-10 | 2.625 | 5.250 | EY 6-4-5151X <i>W/4.33 ratio.; Chamfered Counterbore</i> |

| | | | | | |
|---------------------|--------|----------|-------|-------|-----------------|
| 16130, 16930 | | | | | |
| 1 | SPL140 | 1.790-34 | 2.625 | 4.870 | EY 140-4-461-1 |
| 1 | SPL140 | 1.790-34 | 2.625 | 4.870 | EY 140-4-471-1X |
| 1 | 1410 | 1.790-34 | 2.625 | 4.031 | EY 3-4-10251-1 |
| 1 | 1410 | 1.790-34 | 2.625 | 4.031 | EY 3-4-10461-1X |
| 1 | 1480 | 1.790-34 | 2.625 | 4.281 | EY 3-4-10261-1 |
| 1 | 1480 | 1.790-34 | 2.625 | 4.281 | EY 3-4-10471-1X |
| 1 | 1550 | 1.790-34 | 2.625 | 4.275 | EY 4-4-5551-1 |
| 1 | 1550 | 1.790-34 | 2.625 | 4.275 | EY 4-4-5611-1X |
| 1 | 1610 | 1.790-34 | 2.625 | 4.750 | EY 5-4-7261-1 |
| 1 | 1610 | 1.790-34 | 2.625 | 4.750 | EY 5-4-7301-1X |
| 1 | 1710 | 1.790-34 | 2.625 | 5.438 | EY 6-4-7571-1 |
| 1 | 1710 | 1.790-34 | 2.625 | 5.438 | EY 6-4-7581-1X |

| | | | | | |
|-------------------------|--------|----------|-------|-------|---|
| 17060-A, 17060-S | | | | | |
| 1 | SPL170 | 2.024-39 | 3.000 | 5.156 | EY 170-4-261-1X |
| 1 | SPL170 | 2.024-39 | 3.000 | 6.240 | EY 170-4-281-1X <i>High angle yoke</i> |
| 1 | SPL90 | 2.024-39 | 3.000 | 4.750 | EY 90-4-251-1X |
| 1 | 1480 | 2.024-39 | 3.000 | 4.344 | EY 3-4-13081-1X |
| 1 | 1550 | 2.024-39 | 3.000 | 4.281 | EY 4-4-7571-1X |
| 1 | 1610 | 2.024-39 | 3.000 | 6.000 | EY 5-4-9241-1X <i>High angle yoke</i> |
| 1 | 1610 | 2.024-39 | 3.000 | 6.000 | EY 5-4-9241X <i>High angle yoke</i> |
| 1 | 1710 | 2.024-39 | 3.000 | 6.125 | EY 6-4-8991X <i>High angle yoke</i> |
| 1 | 1710 | 2.024-39 | 3.000 | 5.250 | EY 6-4-9031-1X |
| 1 | 1710 | 2.024-39 | 3.000 | 5.250 | EY 6-4-9031X |

| | | | | | |
|----------------|--------|----------|-------|-------|---|
| 17060-D | | | | | |
| 1 | SPL170 | 2.024-39 | 3.000 | 5.156 | EY 170-4-261-1X |
| 1 | SPL170 | 2.024-39 | 3.000 | 6.240 | EY 170-4-281-1X <i>High angle yoke</i> |
| 1 | SPL90 | 2.024-39 | 3.000 | 4.750 | EY 90-4-251-1X |
| 1 | 1480 | 2.024-39 | 3.000 | 4.344 | EY 3-4-13081-1X |
| 1 | 1550 | 2.024-39 | 3.000 | 4.281 | EY 4-4-7571-1X |
| 1 | 1610 | 2.024-39 | 3.000 | 4.875 | EY 5-4-9231-1X |

*C/L to End of Hub for EY (End Yoke); Flange Face to End of Hub for CF (Companion Flange)

■ Hub machined for speedometer gear



| Pos | Series | Spline Data | Hub Dia | * to End of Hub | End Fitting Part Number |
|-------------------------------------|--------|-------------|---------|-----------------|--|
| 17060-D, 17060-S (Continued) | | | | | |
| 1 | 1610 | 2.024-39 | 3.000 | 6.000 | EY 5-4-9241-1X <i>High angle yoke</i> |
| 1 | 1610 | 2.024-39 | 3.000 | 6.000 | EY 5-4-9241X <i>High angle yoke</i> |
| 1 | 1710 | 2.024-39 | 3.000 | 6.125 | EY 6-4-8991X <i>High angle yoke</i> |
| 1 | 1710 | 2.024-39 | 3.000 | 5.250 | EY 6-4-9031-1X |
| 1 | 1710 | 2.024-39 | 3.000 | 5.250 | EY 6-4-9031X |

| | | | | | |
|--------------|------|----------|-------|-------|---|
| 17101 | | | | | |
| 1 | 1550 | 1.750-10 | 2.625 | 4.672 | EY 4-4-3581-1X .250 deep spline chamfer |
| 1 | 1610 | 1.750-10 | 2.625 | 4.750 | EY 5-4-5111-1X |
| 1 | 1610 | 1.750-10 | 2.625 | 4.750 | EY 5-4-5111X |
| 1 | 1710 | 1.750-10 | 2.625 | 5.250 | EY 6-4-4301X <i>Chamfered Counterbore</i> |
| 1 | 1710 | 1.750-10 | 2.625 | 6.125 | EY 6-4-4861X <i>Chamfered Counterbore; High angle yoke</i> |

| | | | | | |
|--------------|------|----------|-------|-------|--|
| 17121 | | | | | |
| 1 | 1550 | 1.750-10 | 2.625 | 4.672 | EY 4-4-3581-1X .250 deep spline chamfer |
| 1 | 1610 | 1.750-10 | 2.625 | 4.750 | EY 5-4-2081 |
| 1 | 1610 | 1.962-10 | 2.625 | 6.000 | EY 5-4-4771X <i>High angle yoke</i> |
| 1 | 1610 | 1.750-10 | 2.625 | 4.750 | EY 5-4-5111-1X |
| 1 | 1610 | 1.750-10 | 2.625 | 4.750 | EY 5-4-5111X |
| 1 | 1610 | 1.962-10 | 2.625 | 4.719 | EY 5-4-5121X |
| 1 | 1710 | 1.750-10 | 2.625 | 5.250 | EY 6-4-4301X <i>Chamfered Counterbore</i> |
| 1 | 1710 | 1.962-10 | 2.625 | 6.125 | EY 6-4-4851X <i>Chamfered Counterbore High angle yoke</i> |
| 1 | 1710 | 1.750-10 | 2.625 | 6.125 | EY 6-4-4861X <i>Chamfered Counterbore; High angle yoke</i> |
| 1 | 1710 | 1.962-10 | 2.625 | 5.250 | EY 6-4-5151X <i>Chamfered Counterbore</i> |

| | | | | | |
|--------------|--------|----------|-------|-------|---|
| 17130 | | | | | |
| 1 | SPL170 | 2.024-39 | 2.625 | 4.938 | EY 170-4-161-1X |
| 1 | SPL170 | 2.024-39 | 2.625 | 6.016 | EY 170-4-181-1X <i>High angle yoke</i> |
| 1 | 1550 | 2.024-39 | 2.625 | 4.266 | EY 4-4-7551-1X |
| 1 | 1610 | 2.024-39 | 2.625 | 6.000 | EY 5-4-8421X <i>High angle yoke</i> |
| 1 | 1710 | 2.024-39 | 2.625 | 4.719 | EY 5-4-8131-1X |
| 1 | 1710 | 2.024-39 | 2.625 | 5.312 | EY 5-4-8411X |
| 1 | 1710 | 2.024-39 | 2.625 | 5.250 | EY 6-4-8531X |
| 1 | 1710 | 2.024-39 | 2.625 | 6.125 | EY 6-4-8541X <i>High angle yoke</i> |

| | | | | | |
|--------------|--------|----------|-------|-------|---|
| 17430 | | | | | |
| 1 | SPL170 | 2.024-39 | 2.625 | 4.938 | EY 170-4-161-1X |
| 1 | SPL170 | 2.024-39 | 2.625 | 6.016 | EY 170-4-181-1X <i>High angle yoke</i> |
| 1 | 1550 | 2.024-39 | 2.625 | 4.266 | EY 4-4-7551-1X |
| 1 | 1610 | 2.024-39 | 2.625 | 4.719 | EY 5-4-8131-1X |
| 1 | 1610 | 2.024-39 | 2.625 | 5.312 | EY 5-4-8411X |
| 1 | 1610 | 2.024-39 | 2.625 | 6.000 | EY 5-4-8421X <i>High angle yoke</i> |
| 1 | 1710 | 2.024-39 | 2.625 | 5.250 | EY 6-4-8531X |
| 1 | 1710 | 2.024-39 | 2.625 | 6.125 | EY 6-4-8541X <i>High angle yoke</i> |

| Pos | Series | Spline Data | Hub Dia | * to End of Hub | End Fitting Part Number |
|--------------|--------|-------------|---------|-----------------|---|
| 18121 | | | | | |
| 1 | 1550 | 1.750-10 | 2.625 | 4.672 | EY 4-4-3581-1X .250 deep spline chamfer |
| 1 | 1610 | 1.750-10 | 2.625 | 4.750 | EY 5-4-2081 |
| 1 | 1610 | 1.962-10 | 2.625 | 6.000 | EY 5-4-4771X <i>High angle yoke</i> |
| 1 | 1610 | 1.750-10 | 2.625 | 4.750 | EY 5-4-5111-1X |
| 1 | 1610 | 1.750-10 | 2.625 | 4.750 | EY 5-4-5111X |
| 1 | 1610 | 1.962-10 | 2.625 | 4.719 | EY 5-4-5121X |
| 1 | 1710 | 1.750-10 | 2.625 | 5.250 | EY 6-4-4301X <i>Chamfered Counterbore</i> |
| 1 | 1710 | 1.962-10 | 2.625 | 6.125 | EY 6-4-4851X <i>Chamfered Counterbore; High angle yoke</i> |
| 1 | 1710 | 1.750-10 | 2.625 | 6.125 | EY 6-4-4861X <i>Chamfered Counterbore; High angle yoke</i> |
| 1 | 1710 | 1.962-10 | 2.625 | 5.250 | EY 6-4-5151X <i>Chamfered Counterbore</i> |

| | | | | | |
|----------------|--------|----------|-------|-------|-----------------|
| 19050-A | | | | | |
| 1 | SPL140 | 1.790-34 | 2.625 | 4.870 | EY 140-4-461-1 |
| 1 | SPL140 | 1.790-34 | 2.625 | 4.870 | EY 140-4-471-1X |
| 1 | 1410 | 1.790-34 | 2.625 | 4.031 | EY 3-4-10251-1 |
| 1 | 1410 | 1.790-34 | 2.625 | 4.031 | EY 3-4-10461-1X |
| 1 | 1480 | 1.790-34 | 2.625 | 4.281 | EY 3-4-10261-1 |
| 1 | 1480 | 1.790-34 | 2.625 | 4.281 | EY 3-4-10471-1X |
| 1 | 1550 | 1.790-34 | 2.625 | 4.275 | EY 4-4-5551-1 |
| 1 | 1550 | 1.790-34 | 2.625 | 4.275 | EY 4-4-5611-1X |
| 1 | 1610 | 1.790-34 | 2.625 | 4.750 | EY 5-4-7261-1 |
| 1 | 1610 | 1.790-34 | 2.625 | 4.750 | EY 5-4-7301-1X |
| 1 | 1710 | 1.790-34 | 2.625 | 5.438 | EY 6-4-7571-1 |
| 1 | 1710 | 1.790-34 | 2.625 | 5.438 | EY 6-4-7581-1X |

| | | | | | |
|----------------|------|----------|-------|-------|-----------------|
| 19050-D | | | | | |
| 1 | 1410 | 1.790-34 | 2.625 | 4.031 | EY 3-4-10461-1X |
| 1 | 1480 | 1.790-34 | 2.625 | 4.281 | EY 3-4-10471-1X |
| 1 | 1550 | 1.790-34 | 2.625 | 4.275 | EY 4-4-5611-1X |
| 1 | 1610 | 1.790-34 | 2.625 | 4.750 | EY 5-4-7301-1X |
| 1 | 1710 | 1.790-34 | 2.625 | 5.438 | EY 6-4-7581-1X |

| | | | | | |
|----------------|--------|----------|-------|-------|-----------------|
| 19050-P | | | | | |
| 1 | SPL140 | 1.790-34 | 2.625 | 4.870 | EY 140-4-461-1 |
| 1 | SPL140 | 1.790-34 | 2.625 | 4.870 | EY 140-4-471-1X |
| 1 | 1410 | 1.790-34 | 2.625 | 4.031 | EY 3-4-10251-1 |
| 1 | 1410 | 1.790-34 | 2.625 | 4.031 | EY 3-4-10461-1X |
| 1 | 1480 | 1.790-34 | 2.625 | 4.281 | EY 3-4-10261-1 |
| 1 | 1480 | 1.790-34 | 2.625 | 4.281 | EY 3-4-10471-1X |
| 1 | 1550 | 1.790-34 | 2.625 | 4.275 | EY 4-4-5551-1 |
| 1 | 1550 | 1.790-34 | 2.625 | 4.275 | EY 4-4-5611-1X |
| 1 | 1610 | 1.790-34 | 2.625 | 4.750 | EY 5-4-7261-1 |
| 1 | 1610 | 1.790-34 | 2.625 | 4.750 | EY 5-4-7301-1X |
| 1 | 1710 | 1.790-34 | 2.625 | 5.438 | EY 6-4-7571-1 |
| 1 | 1710 | 1.790-34 | 2.625 | 5.438 | EY 6-4-7581-1X |

| | | | | | |
|----------------|--------|----------|-------|-------|-----------------|
| 19050-S | | | | | |
| 1 | SPL140 | 1.790-34 | 2.625 | 4.870 | EY 140-4-461-1 |
| 1 | SPL140 | 1.790-34 | 2.625 | 4.870 | EY 140-4-471-1X |
| 1 | 1410 | 1.790-34 | 2.625 | 4.031 | EY 3-4-10251-1 |
| 1 | 1410 | 1.790-34 | 2.625 | 4.031 | EY 3-4-10461-1X |
| 1 | 1480 | 1.790-34 | 2.625 | 4.281 | EY 3-4-10261-1 |
| 1 | 1480 | 1.790-34 | 2.625 | 4.281 | EY 3-4-10471-1X |
| 1 | 1550 | 1.790-34 | 2.625 | 4.275 | EY 4-4-5551-1 |
| 1 | 1550 | 1.790-34 | 2.625 | 4.275 | EY 4-4-5611-1X |

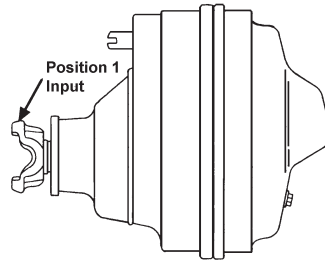
Continued on next page

*C/L to End of Hub for EY (End Yoke); Flange Face to End of Hub for CF (Companion Flange)

■ Hub machined for speedometer gear



Important: See Safety Information in General Information Section (J300P-GI)



| Pos | Series | Spline Data | Hub Dia | * to End of Hub | End Fitting Part Number |
|-----|--------|-------------|---------|-----------------|-------------------------|
|-----|--------|-------------|---------|-----------------|-------------------------|

19050-S (Continued)

| | | | | | |
|---|------|----------|-------|-------|----------------|
| 1 | 1610 | 1.790-34 | 2.625 | 4.750 | EY 5-4-7261-1 |
| 1 | 1610 | 1.790-34 | 2.625 | 4.750 | EY 5-4-7301-1X |
| 1 | 1610 | 2.024-39 | 3.000 | 4.875 | EY 5-4-9231-1X |
| 1 | 1710 | 1.790-34 | 2.625 | 5.438 | EY 6-4-7571-1 |
| 1 | 1710 | 1.790-34 | 2.625 | 5.438 | EY 6-4-7581-1X |

19050-T

| | | | | | |
|---|--------|----------|-------|-------|-----------------|
| 1 | SPL140 | 1.790-34 | 2.625 | 4.870 | EY 140-4-461-1 |
| 1 | SPL140 | 1.790-34 | 2.625 | 4.870 | EY 140-4-471-1X |
| 1 | 1410 | 1.790-34 | 2.625 | 4.031 | EY 3-4-10251-1 |
| 1 | 1410 | 1.790-34 | 2.625 | 4.031 | EY 3-4-10461-1X |
| 1 | 1480 | 1.790-34 | 2.625 | 4.281 | EY 3-4-10261-1 |
| 1 | 1480 | 1.790-34 | 2.625 | 4.281 | EY 3-4-10471-1X |
| 1 | 1550 | 1.790-34 | 2.625 | 4.275 | EY 4-4-5551-1 |
| 1 | 1550 | 1.790-34 | 2.625 | 4.275 | EY 4-4-5611-1X |
| 1 | 1610 | 1.790-34 | 2.625 | 4.750 | EY 5-4-7261-1 |
| 1 | 1610 | 1.790-34 | 2.625 | 4.750 | EY 5-4-7301-1X |
| 1 | 1710 | 1.790-34 | 2.625 | 5.438 | EY 6-4-7571-1 |
| 1 | 1710 | 1.790-34 | 2.625 | 5.438 | EY 6-4-7581-1X |

19055-D, 19055-P, 19055-S

| | | | | | |
|---|--------|----------|-------|-------|---|
| 1 | SPL140 | 2.024-39 | 2.625 | 4.940 | EY 140-4-491-1 |
| 1 | SPL140 | 2.024-39 | 2.625 | 4.940 | EY 140-4-501-1X |
| 1 | SPL170 | 2.024-39 | 2.625 | 4.938 | EY 170-4-161-1X |
| 1 | SPL170 | 2.024-39 | 2.625 | 6.016 | EY 170-4-181-1X <i>High angle yoke</i> |
| 1 | SPL90 | 2.024-39 | 2.626 | 4.160 | EY 90-4-621-1 |
| 1 | SPL90 | 2.024-39 | 2.626 | 4.160 | EY 90-4-631-1X |
| 1 | 1480 | 2.024-39 | 2.625 | 4.344 | EY 3-4-11051-1 |
| 1 | 1480 | 2.024-39 | 2.625 | 4.344 | EY 3-4-11061-1X |
| 1 | 1550 | 2.024-39 | 2.625 | 4.281 | EY 4-4-5621-1 |
| 1 | 1550 | 2.024-39 | 2.625 | 4.281 | EY 4-4-5691-1X |
| 1 | 1550 | 2.024-39 | 2.625 | 4.266 | EY 4-4-7551-1X |
| 1 | 1610 | 2.024-39 | 2.625 | 4.719 | EY 5-4-7981-1 |
| 1 | 1610 | 2.024-39 | 2.625 | 4.719 | EY 5-4-8131-1X |
| 1 | 1610 | 2.024-39 | 2.625 | 5.312 | EY 5-4-8411X |
| 1 | 1610 | 2.024-39 | 2.625 | 6.000 | EY 5-4-8421X <i>High angle yoke</i> |
| 1 | 1710 | 2.024-39 | 2.625 | 5.250 | EY 6-4-8531X |
| 1 | 1710 | 2.024-39 | 2.625 | 6.125 | EY 6-4-8541X <i>High angle yoke</i> |

19055-T

| | | | | | |
|---|--------|----------|-------|-------|--|
| 1 | SPL100 | 2.024-39 | 2.625 | 7.295 | EY 100-4-1321-1 <i>Flanged yoke w/8 tapped holes in flange</i> |
| 1 | SPL100 | 2.024-39 | 2.625 | 7.295 | EY 100-4-1331-1X <i>Flanged yoke w/8 tapped holes in flange</i> |
| 1 | SPL140 | 2.024-39 | 2.768 | 7.587 | EY 140-4-1611-1X <i>Flanged yoke w/8 tapped holes in flange</i> |
| 1 | SPL140 | 2.024-39 | 2.625 | 4.940 | EY 140-4-491-1 |
| 1 | SPL140 | 2.024-39 | 2.625 | 4.940 | EY 140-4-501-1X |
| 1 | SPL170 | 2.024-39 | 2.625 | 4.938 | EY 170-4-161-1X |

| Pos | Series | Spline Data | Hub Dia | * to End of Hub | End Fitting Part Number |
|-----|--------|-------------|---------|-----------------|-------------------------|
|-----|--------|-------------|---------|-----------------|-------------------------|

19055-T (Continued)

| | | | | | |
|---|--------|----------|-------|-------|---|
| 1 | SPL170 | 2.024-39 | 2.625 | 6.016 | EY 170-4-181-1X <i>High angle yoke</i> |
| 1 | SPL90 | 2.024-39 | 2.626 | 4.160 | EY 90-4-621-1 |
| 1 | SPL90 | 2.024-39 | 2.626 | 4.160 | EY 90-4-631-1X |
| 1 | 1480 | 2.024-39 | 2.625 | 4.344 | EY 3-4-11051-1 |
| 1 | 1480 | 2.024-39 | 2.625 | 4.344 | EY 3-4-11061-1X |
| 1 | 1550 | 2.024-39 | 2.625 | 4.281 | EY 4-4-5621-1 |
| 1 | 1550 | 2.024-39 | 2.625 | 4.281 | EY 4-4-5691-1X |
| 1 | 1550 | 2.024-39 | 2.625 | 4.266 | EY 4-4-7551-1X |
| 1 | 1610 | 2.024-39 | 2.625 | 4.719 | EY 5-4-7981-1 |
| 1 | 1610 | 2.024-39 | 2.625 | 4.719 | EY 5-4-8131-1X |
| 1 | 1610 | 2.024-39 | 2.625 | 5.312 | EY 5-4-8411X |
| 1 | 1610 | 2.024-39 | 2.625 | 6.000 | EY 5-4-8421X <i>High angle yoke</i> |
| 1 | 1710 | 2.024-39 | 2.625 | 5.250 | EY 6-4-8531X |
| 1 | 1710 | 2.024-39 | 2.625 | 6.125 | EY 6-4-8541X <i>High angle yoke</i> |

19060-A, 19060-D

| | | | | | |
|---|--------|----------|-------|-------|---|
| 1 | SPL100 | 2.024-39 | 3.000 | 4.750 | EY 100-4-951-1 |
| 1 | SPL100 | 2.024-39 | 3.000 | 4.750 | EY 100-4-961-1X |
| 1 | SPL140 | 2.024-39 | 3.000 | 4.940 | EY 140-4-1151-1 |
| 1 | SPL140 | 2.024-39 | 3.000 | 4.940 | EY 140-4-1161-1X |
| 1 | SPL140 | 2.024-39 | 3.000 | 4.940 | EY 140-4-361-1 |
| 1 | SPL140 | 2.024-39 | 3.000 | 4.940 | EY 140-4-371-1X |
| 1 | SPL170 | 2.024-39 | 3.000 | 5.156 | EY 170-4-251-1 <i>High angle yoke</i> |
| 1 | SPL170 | 2.024-39 | 3.000 | 5.156 | EY 170-4-261-1X |
| 1 | SPL170 | 2.024-39 | 3.000 | 6.240 | EY 170-4-271-1 <i>High angle yoke</i> |
| 1 | SPL170 | 2.024-39 | 3.000 | 6.240 | EY 170-4-281-1X <i>High angle yoke</i> |
| 1 | SPL55 | 2.024-39 | 3.000 | 4.330 | EY 55-4-71-1 |
| 1 | SPL55 | 2.024-39 | 3.000 | 4.330 | EY 55-4-81-1X |
| 1 | SPL70 | 2.024-39 | 3.000 | 4.281 | EY 70-4-101-1 |
| 1 | SPL70 | 2.024-39 | 3.000 | 4.281 | EY 70-4-111-1X |
| 1 | SPL90 | 2.024-39 | 3.000 | 4.750 | EY 90-4-241-1 |
| 1 | SPL90 | 2.024-39 | 3.000 | 4.750 | EY 90-4-251-1X |
| 1 | 1480 | 2.024-39 | 3.000 | 4.344 | EY 3-4-13071-1 |
| 1 | 1480 | 2.024-39 | 3.000 | 4.344 | EY 3-4-13081-1X |
| 1 | 1550 | 2.024-39 | 3.000 | 4.281 | EY 4-4-7561-1 |
| 1 | 1550 | 2.024-39 | 3.000 | 4.281 | EY 4-4-7571-1X |
| 1 | 1610 | 2.024-39 | 3.000 | 6.000 | EY 5-4-8261 <i>High angle yoke</i> |
| 1 | 1610 | 2.024-39 | 3.000 | 6.000 | EY 5-4-8261-1 <i>High angle yoke</i> |
| 1 | 1610 | 2.024-39 | 3.000 | 4.875 | EY 5-4-9221-1 |
| 1 | 1610 | 2.024-39 | 3.000 | 4.875 | EY 5-4-9231-1X |
| 1 | 1610 | 2.024-39 | 3.000 | 6.000 | EY 5-4-9241-1X <i>High angle yoke</i> |
| 1 | 1610 | 2.024-39 | 3.000 | 6.000 | EY 5-4-9241X <i>High angle yoke</i> |

*C/L to End of Hub for EY (End Yoke); Flange Face to End of Hub for CF (Companion Flange)

■ Hub machined for speedometer gear



| Pos | Series | Spline Data | Hub Dia | * to End of Hub | End Fitting Part Number |
|-------------------------------------|--------|-------------|---------|-----------------|--|
| 19060-A, 19060-D (Continued) | | | | | |
| 1 | 1710 | 2.024-39 | 3.000 | 6.125 | EY 6-4-8411 <i>High angle yoke</i> |
| 1 | 1710 | 2.024-39 | 3.000 | 6.125 | EY 6-4-8411-1 <i>High angle yoke</i> |
| 1 | 1710 | 2.024-39 | 3.000 | 5.250 | EY 6-4-8421 |
| 1 | 1710 | 2.024-39 | 3.000 | 5.250 | EY 6-4-8421-1 |
| 1 | 1710 | 2.024-39 | 3.000 | 6.125 | EY 6-4-8991-1X <i>High angle yoke</i> |
| 1 | 1710 | 2.024-39 | 3.000 | 6.125 | EY 6-4-8991X <i>High angle yoke</i> |
| 1 | 1710 | 2.024-39 | 3.000 | 5.250 | EY 6-4-9031-1X |
| 1 | 1710 | 2.024-39 | 3.000 | 5.250 | EY 6-4-9031X |

| Pos | Series | Spline Data | Hub Dia | * to End of Hub | End Fitting Part Number |
|----------------|--------|-------------|---------|-----------------|---|
| 19060-P | | | | | |
| 1 | SPL100 | 2.024-39 | 2.625 | 4.160 | EY 100-4-1071-1 |
| 1 | SPL100 | 2.024-39 | 2.625 | 4.160 | EY 100-4-1081-1X |
| 1 | SPL140 | 2.024-39 | 2.625 | 5.030 | EY 140-4-551-1 <i>Counterbore at hub end.</i> |
| 1 | SPL140 | 2.024-39 | 2.625 | 5.030 | EY 140-4-561-1X <i>Counterbore at hub end.</i> |
| 1 | SPL170 | 2.024-39 | 2.625 | 4.938 | EY 170-4-151-1 |
| 1 | SPL170 | 2.024-39 | 2.625 | 4.938 | EY 170-4-161-1X |
| 1 | SPL170 | 2.024-39 | 2.625 | 6.016 | EY 170-4-171-1 <i>High angle yoke</i> |
| 1 | SPL170 | 2.024-39 | 2.625 | 6.016 | EY 170-4-181-1X <i>High angle yoke</i> |
| 1 | SPL70 | 2.024-39 | 3.000 | 4.281 | EY 70-4-101-1 |
| 1 | SPL70 | 2.024-39 | 3.000 | 4.281 | EY 70-4-111-1X |
| 1 | 1480 | 2.024-39 | 2.625 | 4.344 | EY 3-4-13051-1 |
| 1 | 1480 | 2.024-39 | 2.625 | 4.344 | EY 3-4-13061-1X |
| 1 | 1550 | 2.024-39 | 2.625 | 4.266 | EY 4-4-6471-1 |
| 1 | 1550 | 2.024-39 | 2.625 | 4.266 | EY 4-4-7551-1X |
| 1 | 1610 | 2.024-39 | 2.625 | 5.312 | EY 5-4-7971 |
| 1 | 1610 | 2.024-39 | 2.625 | 5.312 | EY 5-4-7971-1 |
| 1 | 1610 | 2.024-39 | 2.625 | 6.000 | EY 5-4-7991 <i>High angle yoke</i> |
| 1 | 1610 | 2.024-39 | 2.625 | 4.719 | EY 5-4-8131-1X |
| 1 | 1610 | 2.024-39 | 2.625 | 5.312 | EY 5-4-8411-1X |
| 1 | 1610 | 2.024-39 | 2.625 | 5.312 | EY 5-4-8411X |
| 1 | 1610 | 2.024-39 | 2.625 | 6.000 | EY 5-4-8421X <i>High angle yoke</i> |
| 1 | 1710 | 2.024-39 | 2.625 | 6.125 | EY 6-4-7981 <i>High angle yoke</i> |
| 1 | 1710 | 2.024-39 | 2.625 | 6.125 | EY 6-4-7981-1 <i>High angle yoke</i> |
| 1 | 1710 | 2.024-39 | 2.625 | 5.250 | EY 6-4-7991 |
| 1 | 1710 | 2.024-39 | 2.625 | 5.250 | EY 6-4-7991-1 |
| 1 | 1710 | 2.024-39 | 2.625 | 5.250 | EY 6-4-8531-1X |
| 1 | 1710 | 2.024-39 | 2.625 | 5.250 | EY 6-4-8531X |
| 1 | 1710 | 2.024-39 | 2.625 | 6.125 | EY 6-4-8541-1X <i>High angle yoke</i> |
| 1 | 1710 | 2.024-39 | 2.625 | 6.125 | EY 6-4-8541X <i>High angle yoke</i> |

| Pos | Series | Spline Data | Hub Dia | * to End of Hub | End Fitting Part Number |
|----------------|--------|-------------|---------|-----------------|--|
| 19060-S | | | | | |
| 1 | SPL100 | 2.024-39 | 3.000 | 4.750 | EY 100-4-951-1 |
| 1 | SPL100 | 2.024-39 | 3.000 | 4.750 | EY 100-4-961-1X |
| 1 | SPL140 | 2.024-39 | 3.000 | 4.940 | EY 140-4-1151-1 |
| 1 | SPL140 | 2.024-39 | 3.000 | 4.940 | EY 140-4-1161-1X |
| 1 | SPL140 | 2.024-39 | 3.000 | 4.940 | EY 140-4-361-1 |
| 1 | SPL140 | 2.024-39 | 3.000 | 4.940 | EY 140-4-371-1X |
| 1 | SPL170 | 2.024-39 | 3.000 | 5.156 | EY 170-4-251-1 <i>High angle yoke</i> |

| Pos | Series | Spline Data | Hub Dia | * to End of Hub | End Fitting Part Number |
|----------------------------|--------|-------------|---------|-----------------|---|
| 19060-S (Continued) | | | | | |
| 1 | SPL170 | 2.024-39 | 3.000 | 5.156 | EY 170-4-261-1X |
| 1 | SPL170 | 2.024-39 | 3.000 | 6.240 | EY 170-4-271-1 <i>High angle yoke</i> |
| 1 | SPL170 | 2.024-39 | 3.000 | 6.240 | EY 170-4-281-1X <i>High angle yoke</i> |
| 1 | SPL55 | 2.024-39 | 3.000 | 4.330 | EY 55-4-71-1 |
| 1 | SPL55 | 2.024-39 | 3.000 | 4.330 | EY 55-4-81-1X |
| 1 | SPL70 | 2.024-39 | 3.000 | 4.281 | EY 70-4-101-1 |
| 1 | SPL70 | 2.024-39 | 3.000 | 4.281 | EY 70-4-111-1X |
| 1 | SPL90 | 2.024-39 | 3.000 | 4.750 | EY 90-4-241-1 |
| 1 | SPL90 | 2.024-39 | 3.000 | 4.750 | EY 90-4-251-1X |
| 1 | 1480 | 2.024-39 | 3.000 | 4.344 | EY 3-4-13071-1 |
| 1 | 1480 | 2.024-39 | 3.000 | 4.344 | EY 3-4-13081-1X |
| 1 | 1550 | 2.024-39 | 3.000 | 4.281 | EY 4-4-7561-1 |
| 1 | 1550 | 2.024-39 | 3.000 | 4.281 | EY 4-4-7571-1X |
| 1 | 1610 | 2.024-39 | 3.000 | 6.000 | EY 5-4-8261 <i>High angle yoke</i> |
| 1 | 1610 | 2.024-39 | 3.000 | 6.000 | EY 5-4-8261-1 <i>High angle yoke</i> |
| 1 | 1610 | 2.024-39 | 3.000 | 4.875 | EY 5-4-9221-1 |
| 1 | 1610 | 2.024-39 | 3.000 | 4.875 | EY 5-4-9231-1X |
| 1 | 1610 | 2.024-39 | 3.000 | 6.000 | EY 5-4-9241-1X <i>High angle yoke</i> |
| 1 | 1610 | 2.024-39 | 3.000 | 6.000 | EY 5-4-9241X <i>High angle yoke</i> |
| 1 | 1710 | 2.024-39 | 3.000 | 6.125 | EY 6-4-8411 <i>High angle yoke</i> |
| 1 | 1710 | 2.024-39 | 3.000 | 6.125 | EY 6-4-8411-1 <i>High angle yoke</i> |
| 1 | 1710 | 2.024-39 | 3.000 | 5.250 | EY 6-4-8421 |
| 1 | 1710 | 2.024-39 | 3.000 | 5.250 | EY 6-4-8421-1 |
| 1 | 1710 | 2.024-39 | 3.000 | 6.125 | EY 6-4-8991-1X <i>High angle yoke</i> |
| 1 | 1710 | 2.024-39 | 3.000 | 6.125 | EY 6-4-8991X <i>High angle yoke</i> |
| 1 | 1710 | 2.024-39 | 3.000 | 5.250 | EY 6-4-9031-1X |
| 1 | 1710 | 2.024-39 | 3.000 | 5.250 | EY 6-4-9031X |

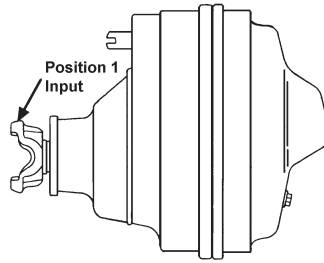
| Pos | Series | Spline Data | Hub Dia | * to End of Hub | End Fitting Part Number |
|----------------|--------|-------------|---------|-----------------|---|
| 19060-T | | | | | |
| 1 | SPL100 | 2.024-39 | 2.625 | 4.160 | EY 100-4-1071-1 |
| 1 | SPL100 | 2.024-39 | 2.625 | 4.160 | EY 100-4-1081-1X |
| 1 | SPL140 | 2.024-39 | 2.625 | 5.030 | EY 140-4-551-1 <i>Counterbore at hub end.</i> |
| 1 | SPL140 | 2.024-39 | 2.625 | 5.030 | EY 140-4-561-1X <i>Counterbore at hub end.</i> |
| 1 | SPL170 | 2.024-39 | 2.625 | 4.938 | EY 170-4-161-1X |
| 1 | SPL70 | 2.024-39 | 3.000 | 4.281 | EY 70-4-101-1 |
| 1 | SPL70 | 2.024-39 | 3.000 | 4.281 | EY 70-4-111-1X |
| 1 | 1480 | 2.024-39 | 2.625 | 4.344 | EY 3-4-13051-1 |
| 1 | 1480 | 2.024-39 | 2.625 | 4.344 | EY 3-4-13061-1X |
| 1 | 1550 | 2.024-39 | 2.625 | 4.266 | EY 4-4-6471-1 |
| 1 | 1550 | 2.024-39 | 2.625 | 4.266 | EY 4-4-7551-1X |
| 1 | 1610 | 2.024-39 | 2.625 | 5.312 | EY 5-4-7971 |
| 1 | 1610 | 2.024-39 | 2.625 | 5.312 | EY 5-4-7971-1 |
| 1 | 1610 | 2.024-39 | 2.625 | 6.000 | EY 5-4-7991 <i>High angle yoke</i> |
| 1 | 1610 | 2.024-39 | 2.625 | 4.719 | EY 5-4-8131-1X |
| 1 | 1610 | 2.024-39 | 2.625 | 5.312 | EY 5-4-8411-1X |
| 1 | 1610 | 2.024-39 | 2.625 | 5.312 | EY 5-4-8411X |
| 1 | 1610 | 2.024-39 | 2.625 | 6.000 | EY 5-4-8421X <i>High angle yoke</i> |

Continued on next page

*C/L to End of Hub for EY (End Yoke); Flange Face to End of Hub for CF (Companion Flange)

■ Hub machined for speedometer gear





| Pos | Series | Spline Data | Hub Dia | * to End of Hub | End Fitting Part Number |
|-----|--------|-------------|---------|-----------------|-------------------------|
|-----|--------|-------------|---------|-----------------|-------------------------|

19060-T (Continued)

| | | | | | |
|---|------|----------|-------|-------|--|
| 1 | 1710 | 2.024-39 | 2.625 | 6.125 | EY 6-4-7981 <i>High angle yoke</i> |
| 1 | 1710 | 2.024-39 | 2.625 | 6.125 | EY 6-4-7981-1 <i>High angle yoke</i> |
| 1 | 1710 | 2.024-39 | 2.625 | 5.250 | EY 6-4-7991 |
| 1 | 1710 | 2.024-39 | 2.625 | 5.250 | EY 6-4-7991-1 |
| 1 | 1710 | 2.024-39 | 2.625 | 5.250 | EY 6-4-8531-1X |
| 1 | 1710 | 2.024-39 | 2.625 | 5.250 | EY 6-4-8531X |
| 1 | 1710 | 2.024-39 | 2.625 | 6.125 | EY 6-4-8541-1X <i>High angle yoke</i> |
| 1 | 1710 | 2.024-39 | 2.625 | 6.125 | EY 6-4-8541X <i>High angle yoke</i> |

19100-1

| | | | | | |
|---|------|----------|-------|-------|--|
| 1 | 1610 | 1.962-10 | 2.625 | 5.312 | EY 5-4-6361-1X |
| 1 | 1710 | 1.962-10 | 2.625 | 4.500 | EY 6-4-4731-1X <i>Chamfered Counterbore</i> |
| 1 | 1710 | 1.962-10 | 2.625 | 4.500 | EY 6-4-4731X <i>Chamfered Counterbore</i> |

19120-1

| | | | | | |
|---|------|----------|-------|-------|--|
| 1 | 1610 | 2.149-16 | 2.938 | 6.250 | EY 5-4-5161-1X |
| 1 | 1610 | 2.149-16 | 2.938 | 6.250 | EY 5-4-5161X <i>High angle yoke</i> |
| 1 | 1710 | 2.149-16 | 2.938 | 5.500 | EY 6-4-4171-1X |
| 1 | 1710 | 2.149-16 | 2.938 | 5.500 | EY 6-4-4171X |
| 1 | 1760 | 2.149-16 | 2.938 | 5.812 | EY 6.3-4-141 |
| 1 | 1760 | 2.149-16 | 2.938 | 5.812 | EY 6.3-4-141-1 |
| 1 | 1760 | 2.149-16 | 2.938 | 5.812 | EY 6.3-4-251-1X |
| 1 | 1760 | 2.149-16 | 2.938 | 5.812 | EY 6.3-4-251X |
| 1 | 1810 | 2.149-16 | 2.938 | 5.812 | EY 6.5-4-2401-1X |
| 1 | 1810 | 2.149-16 | 2.938 | 5.812 | EY 6.5-4-2401X |

19121

| | | | | | |
|---|------|----------|-------|-------|--|
| 1 | 1610 | 2.149-16 | 2.938 | 6.250 | EY 5-4-5161-1X |
| 1 | 1610 | 2.149-16 | 2.938 | 6.250 | EY 5-4-5161X <i>High angle yoke</i> |
| 1 | 1710 | 2.149-16 | 2.938 | 5.500 | EY 6-4-2181 |
| 1 | 1710 | 2.149-16 | 2.938 | 5.500 | EY 6-4-4171-1X |
| 1 | 1710 | 2.149-16 | 2.938 | 5.500 | EY 6-4-4171X |
| 1 | 1760 | 2.149-16 | 2.938 | 5.812 | EY 6.3-4-251-1X |
| 1 | 1760 | 2.149-16 | 2.938 | 5.812 | EY 6.3-4-251X |
| 1 | 1810 | 2.422-18 | 3.375 | 5.812 | EY 6.5-4-1991 |
| 1 | 1810 | 2.422-18 | 3.375 | 5.812 | EY 6.5-4-1991-1 |
| 1 | 1810 | 2.149-16 | 2.938 | 5.812 | EY 6.5-4-2401-1X |
| 1 | 1810 | 2.149-16 | 2.938 | 5.812 | EY 6.5-4-2401X |

19200-1

| | | | | | |
|---|------|----------|-------|-------|--|
| 1 | 1610 | 1.962-10 | 2.625 | 5.312 | EY 5-4-6361-1X |
| 1 | 1710 | 1.962-10 | 2.625 | 4.500 | EY 6-4-4731-1X <i>Chamfered Counterbore</i> |
| 1 | 1710 | 1.962-10 | 2.625 | 4.500 | EY 6-4-4731X <i>Chamfered Counterbore</i> |

| Pos | Series | Spline Data | Hub Dia | * to End of Hub | End Fitting Part Number |
|-----|--------|-------------|---------|-----------------|-------------------------|
|-----|--------|-------------|---------|-----------------|-------------------------|

19220-1

| | | | | | |
|---|------|----------|-------|-------|--|
| 1 | 1610 | 2.149-16 | 2.938 | 6.250 | EY 5-4-5161-1X |
| 1 | 1610 | 2.149-16 | 2.938 | 6.250 | EY 5-4-5161X <i>High angle yoke</i> |
| 1 | 1710 | 2.149-16 | 2.938 | 5.500 | EY 6-4-4171-1X |
| 1 | 1710 | 2.149-16 | 2.938 | 5.500 | EY 6-4-4171X |
| 1 | 1760 | 2.149-16 | 2.938 | 5.812 | EY 6.3-4-141 |
| 1 | 1760 | 2.149-16 | 2.938 | 5.812 | EY 6.3-4-141-1 |
| 1 | 1760 | 2.149-16 | 2.938 | 5.812 | EY 6.3-4-251-1X |
| 1 | 1760 | 2.149-16 | 2.938 | 5.812 | EY 6.3-4-251X |
| 1 | 1810 | 2.149-16 | 2.938 | 5.812 | EY 6.5-4-2291 |
| 1 | 1810 | 2.149-16 | 2.938 | 5.812 | EY 6.5-4-2291-1 |
| 1 | 1810 | 2.149-16 | 2.938 | 5.812 | EY 6.5-4-2401-1X |
| 1 | 1810 | 2.149-16 | 2.938 | 5.812 | EY 6.5-4-2401X |

19221

| | | | | | |
|---|------|----------|-------|-------|--|
| 1 | 1610 | 2.149-16 | 2.938 | 6.250 | EY 5-4-5161-1X |
| 1 | 1610 | 2.149-16 | 2.938 | 6.250 | EY 5-4-5161X <i>High angle yoke</i> |
| 1 | 1710 | 2.149-16 | 2.938 | 5.500 | EY 6-4-2181 |
| 1 | 1710 | 2.149-16 | 2.938 | 5.500 | EY 6-4-4171-1X |
| 1 | 1710 | 2.149-16 | 2.938 | 5.500 | EY 6-4-4171X |
| 1 | 1760 | 2.149-16 | 2.938 | 5.812 | EY 6.3-4-251-1X |
| 1 | 1760 | 2.149-16 | 2.938 | 5.812 | EY 6.3-4-251X |
| 1 | 1810 | 2.149-16 | 2.938 | 5.812 | EY 6.5-4-2401-1X |
| 1 | 1810 | 2.149-16 | 2.938 | 5.812 | EY 6.5-4-2401X |

19300-1

| | | | | | |
|---|------|----------|-------|-------|--|
| 1 | 1610 | 1.962-10 | 2.625 | 5.312 | EY 5-4-6361-1X |
| 1 | 1710 | 1.962-10 | 2.625 | 4.500 | EY 6-4-4731-1X <i>Chamfered Counterbore</i> |
| 1 | 1710 | 1.962-10 | 2.625 | 4.500 | EY 6-4-4731X <i>Chamfered Counterbore</i> |

19320-1

| | | | | | |
|---|------|----------|-------|-------|--|
| 1 | 1610 | 2.149-16 | 2.938 | 6.250 | EY 5-4-5161-1X |
| 1 | 1610 | 2.149-16 | 2.938 | 6.250 | EY 5-4-5161X <i>High angle yoke</i> |
| 1 | 1710 | 2.149-16 | 2.938 | 5.500 | EY 6-4-4171-1X |
| 1 | 1710 | 2.149-16 | 2.938 | 5.500 | EY 6-4-4171X |
| 1 | 1760 | 2.149-16 | 2.938 | 5.812 | EY 6.3-4-141 |
| 1 | 1760 | 2.149-16 | 2.938 | 5.812 | EY 6.3-4-141-1 |
| 1 | 1760 | 2.149-16 | 2.938 | 5.812 | EY 6.3-4-251-1X |
| 1 | 1760 | 2.149-16 | 2.938 | 5.812 | EY 6.3-4-251X |
| 1 | 1810 | 2.149-16 | 2.938 | 5.812 | EY 6.5-4-2291 |
| 1 | 1810 | 2.149-16 | 2.938 | 5.812 | EY 6.5-4-2291-1 |
| 1 | 1810 | 2.149-16 | 2.938 | 5.812 | EY 6.5-4-2401-1X |
| 1 | 1810 | 2.149-16 | 2.938 | 5.812 | EY 6.5-4-2401X |

19321

| | | | | | |
|---|------|----------|-------|-------|-------------|
| 1 | 1710 | 2.149-16 | 2.938 | 5.500 | EY 6-4-2181 |
|---|------|----------|-------|-------|-------------|

*C/L to End of Hub for EY (End Yoke); Flange Face to End of Hub for CF (Companion Flange)

■ Hub machined for speedometer gear



| Pos | Series | Spline Data | Hub Dia | * to End of Hub | End Fitting Part Number |
|-----------------------|--------|-------------|---------|-----------------|--|
| 19420-1, 19426 | | | | | |
| 1 | 1610 | 2.149-16 | 2.938 | 6.250 | EY 5-4-5161-1X |
| 1 | 1610 | 2.149-16 | 2.938 | 6.250 | EY 5-4-5161X <i>High angle yoke</i> |
| 1 | 1710 | 2.149-16 | 2.938 | 5.500 | EY 6-4-4171-1X |
| 1 | 1710 | 2.149-16 | 2.938 | 5.500 | EY 6-4-4171X |
| 1 | 1760 | 2.149-16 | 2.938 | 5.812 | EY 6.3-4-141 |
| 1 | 1760 | 2.149-16 | 2.938 | 5.812 | EY 6.3-4-141-1 |
| 1 | 1760 | 2.149-16 | 2.938 | 5.812 | EY 6.3-4-251-1X |
| 1 | 1760 | 2.149-16 | 2.938 | 5.812 | EY 6.3-4-251X |
| 1 | 1810 | 2.149-16 | 2.938 | 5.812 | EY 6.5-4-2401-1X |
| 1 | 1810 | 2.149-16 | 2.938 | 5.812 | EY 6.5-4-2401X |

| | | | | | |
|--------------|------|----------|-------|-------|--|
| 20100 | | | | | |
| 1 | 1610 | 1.962-10 | 2.625 | 5.312 | EY 5-4-6361-1X |
| 1 | 1710 | 1.962-10 | 2.625 | 4.500 | EY 6-4-4731-1X <i>Chamfered Counterbore</i> |
| 1 | 1710 | 1.962-10 | 2.625 | 4.500 | EY 6-4-4731X <i>Chamfered Counterbore</i> |

| | | | | | |
|----------------|------|----------|-------|-------|--|
| 20120-1 | | | | | |
| 1 | 1610 | 2.149-16 | 2.938 | 6.250 | EY 5-4-5161-1X |
| 1 | 1610 | 2.149-16 | 2.938 | 6.250 | EY 5-4-5161X <i>High angle yoke</i> |
| 1 | 1710 | 2.149-16 | 2.938 | 5.500 | EY 6-4-4171-1X |
| 1 | 1710 | 2.149-16 | 2.938 | 5.500 | EY 6-4-4171X |
| 1 | 1760 | 2.149-16 | 2.938 | 5.812 | EY 6.3-4-141 |
| 1 | 1760 | 2.149-16 | 2.938 | 5.812 | EY 6.3-4-141-1 |
| 1 | 1760 | 2.149-16 | 2.938 | 5.812 | EY 6.3-4-251-1X |
| 1 | 1760 | 2.149-16 | 2.938 | 5.812 | EY 6.3-4-251X |
| 1 | 1810 | 2.149-16 | 2.938 | 5.812 | EY 6.5-4-2401-1X |
| 1 | 1810 | 2.149-16 | 2.938 | 5.812 | EY 6.5-4-2401X |

| | | | | | |
|--------------|------|----------|-------|-------|--|
| 20200 | | | | | |
| 1 | 1610 | 1.962-10 | 2.625 | 5.312 | EY 5-4-6361-1X |
| 1 | 1710 | 1.962-10 | 2.625 | 4.500 | EY 6-4-4731-1X <i>Chamfered Counterbore</i> |
| 1 | 1710 | 1.962-10 | 2.625 | 4.500 | EY 6-4-4731X <i>Chamfered Counterbore</i> |

| | | | | | |
|--------------|------|----------|-------|-------|--|
| 20220 | | | | | |
| 1 | 1610 | 2.149-16 | 2.938 | 6.250 | EY 5-4-5161-1X |
| 1 | 1610 | 2.149-16 | 2.938 | 6.250 | EY 5-4-5161X <i>High angle yoke</i> |
| 1 | 1710 | 2.149-16 | 2.938 | 5.500 | EY 6-4-4171-1X |
| 1 | 1710 | 2.149-16 | 2.938 | 5.500 | EY 6-4-4171X |
| 1 | 1760 | 2.149-16 | 2.938 | 5.812 | EY 6.3-4-141 |
| 1 | 1760 | 2.149-16 | 2.938 | 5.812 | EY 6.3-4-141-1 |
| 1 | 1760 | 2.149-16 | 2.938 | 5.812 | EY 6.3-4-251-1X |
| 1 | 1760 | 2.149-16 | 2.938 | 5.812 | EY 6.3-4-251X |
| 1 | 1810 | 2.149-16 | 2.938 | 5.812 | EY 6.5-4-2291 |
| 1 | 1810 | 2.149-16 | 2.938 | 5.812 | EY 6.5-4-2291-1 |
| 1 | 1810 | 2.149-16 | 2.938 | 5.812 | EY 6.5-4-2401-1X |
| 1 | 1810 | 2.149-16 | 2.938 | 5.812 | EY 6.5-4-2401X |

| | | | | | |
|--------------|------|----------|-------|-------|--|
| 20300 | | | | | |
| 1 | 1610 | 1.962-10 | 2.625 | 5.312 | EY 5-4-6361-1X |
| 1 | 1710 | 1.962-10 | 2.625 | 4.500 | EY 6-4-4731-1X <i>Chamfered Counterbore</i> |
| 1 | 1710 | 1.962-10 | 2.625 | 4.500 | EY 6-4-4731X <i>Chamfered Counterbore</i> |

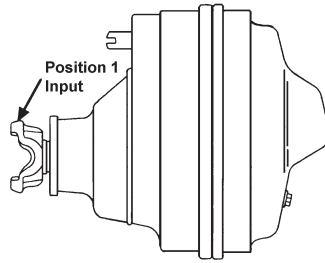
| Pos | Series | Spline Data | Hub Dia | * to End of Hub | End Fitting Part Number |
|--------------|--------|-------------|---------|-----------------|--|
| 20320 | | | | | |
| 1 | 1610 | 2.149-16 | 2.938 | 6.250 | EY 5-4-5161-1X |
| 1 | 1610 | 2.149-16 | 2.938 | 6.250 | EY 5-4-5161X <i>High angle yoke</i> |
| 1 | 1710 | 2.149-16 | 2.938 | 5.500 | EY 6-4-4171-1X |
| 1 | 1710 | 2.149-16 | 2.938 | 5.500 | EY 6-4-4171X |
| 1 | 1760 | 2.149-16 | 2.938 | 5.812 | EY 6.3-4-141 |
| 1 | 1760 | 2.149-16 | 2.938 | 5.812 | EY 6.3-4-141-1 |
| 1 | 1760 | 2.149-16 | 2.938 | 5.812 | EY 6.3-4-251-1X |
| 1 | 1760 | 2.149-16 | 2.938 | 5.812 | EY 6.3-4-251X |
| 1 | 1810 | 2.149-16 | 2.938 | 5.812 | EY 6.5-4-2291 |
| 1 | 1810 | 2.149-16 | 2.938 | 5.812 | EY 6.5-4-2291-1 |
| 1 | 1810 | 2.149-16 | 2.938 | 5.812 | EY 6.5-4-2401-1X |
| 1 | 1810 | 2.149-16 | 2.938 | 5.812 | EY 6.5-4-2401X |

| | | | | | |
|-------------------------|--------|----------|-------|-------|---|
| 21060-A, 21060-D | | | | | |
| 1 | SPL100 | 2.024-39 | 3.000 | 4.750 | EY 100-4-951-1 |
| 1 | SPL100 | 2.024-39 | 3.000 | 4.750 | EY 100-4-961-1X |
| 1 | SPL140 | 2.024-39 | 3.000 | 4.940 | EY 140-4-1151-1 |
| 1 | SPL140 | 2.024-39 | 3.000 | 4.940 | EY 140-4-1161-1X |
| 1 | SPL140 | 2.024-39 | 3.000 | 4.940 | EY 140-4-361-1 |
| 1 | SPL140 | 2.024-39 | 3.000 | 4.940 | EY 140-4-371-1X |
| 1 | SPL170 | 2.024-39 | 3.000 | 5.156 | EY 170-4-251-1 <i>High angle yoke</i> |
| 1 | SPL170 | 2.024-39 | 3.000 | 5.156 | EY 170-4-261-1X |
| 1 | SPL170 | 2.024-39 | 3.000 | 6.240 | EY 170-4-271-1 <i>High angle yoke</i> |
| 1 | SPL170 | 2.024-39 | 3.000 | 6.240 | EY 170-4-281-1X <i>High angle yoke</i> |
| 1 | SPL55 | 2.024-39 | 3.000 | 4.330 | EY 55-4-71-1 |
| 1 | SPL55 | 2.024-39 | 3.000 | 4.330 | EY 55-4-81-1X |
| 1 | SPL70 | 2.024-39 | 3.000 | 4.281 | EY 70-4-101-1 |
| 1 | SPL70 | 2.024-39 | 3.000 | 4.281 | EY 70-4-111-1X |
| 1 | SPL90 | 2.024-39 | 3.000 | 4.750 | EY 90-4-241-1 |
| 1 | SPL90 | 2.024-39 | 3.000 | 4.750 | EY 90-4-251-1X |
| 1 | 1480 | 2.024-39 | 3.000 | 4.344 | EY 3-4-13071-1 |
| 1 | 1480 | 2.024-39 | 3.000 | 4.344 | EY 3-4-13081-1X |
| 1 | 1550 | 2.024-39 | 3.000 | 4.281 | EY 4-4-7561-1 |
| 1 | 1550 | 2.024-39 | 3.000 | 4.281 | EY 4-4-7571-1X |
| 1 | 1610 | 2.024-39 | 3.000 | 6.000 | EY 5-4-8261 <i>High angle yoke</i> |
| 1 | 1610 | 2.024-39 | 3.000 | 6.000 | EY 5-4-8261-1 <i>High angle yoke</i> |
| 1 | 1610 | 2.024-39 | 3.000 | 4.875 | EY 5-4-9221-1 |
| 1 | 1610 | 2.024-39 | 3.000 | 4.875 | EY 5-4-9231-1X |
| 1 | 1610 | 2.024-39 | 3.000 | 6.000 | EY 5-4-9241-1X <i>High angle yoke</i> |
| 1 | 1610 | 2.024-39 | 3.000 | 6.000 | EY 5-4-9241X <i>High angle yoke</i> |
| 1 | 1710 | 2.024-39 | 3.000 | 6.125 | EY 6-4-8411 <i>High angle yoke</i> |
| 1 | 1710 | 2.024-39 | 3.000 | 6.125 | EY 6-4-8411-1 <i>High angle yoke</i> |
| 1 | 1710 | 2.024-39 | 3.000 | 5.250 | EY 6-4-8421 |
| 1 | 1710 | 2.024-39 | 3.000 | 5.250 | EY 6-4-8421-1 |
| 1 | 1710 | 2.024-39 | 3.000 | 6.125 | EY 6-4-8991-1X <i>High angle yoke</i> |
| 1 | 1710 | 2.024-39 | 3.000 | 6.125 | EY 6-4-8991X <i>High angle yoke</i> |
| 1 | 1710 | 2.024-39 | 3.000 | 5.250 | EY 6-4-9031-1X |
| 1 | 1710 | 2.024-39 | 3.000 | 5.250 | EY 6-4-9031X |

*C/L to End of Hub for EY (End Yoke); Flange Face to End of Hub for CF (Companion Flange)

■ Hub machined for speedometer gear





| Pos | Series | Spline Data | Hub Dia | * to End of Hub | End Fitting Part Number |
|-----|--------|-------------|---------|-----------------|-------------------------|
|-----|--------|-------------|---------|-----------------|-------------------------|

| 21060-P | | | | | |
|----------------|--------|----------|-------|-------|---|
| 1 | SPL100 | 2.024-39 | 2.625 | 4.160 | EY 100-4-1071-1 |
| 1 | SPL100 | 2.024-39 | 2.625 | 4.160 | EY 100-4-1081-1X |
| 1 | SPL140 | 2.024-39 | 2.625 | 5.030 | EY 140-4-551-1 <i>Counterbore at hub end.</i> |
| 1 | SPL140 | 2.024-39 | 2.625 | 5.030 | EY 140-4-561-1X <i>Counterbore at hub end.</i> |
| 1 | SPL170 | 2.024-39 | 2.625 | 4.938 | EY 170-4-151-1 |
| 1 | SPL170 | 2.024-39 | 2.625 | 4.938 | EY 170-4-161-1X |
| 1 | SPL170 | 2.024-39 | 2.625 | 6.016 | EY 170-4-171-1 <i>High angle yoke</i> |
| 1 | SPL170 | 2.024-39 | 2.625 | 6.016 | EY 170-4-181-1X <i>High angle yoke</i> |
| 1 | SPL70 | 2.024-39 | 3.000 | 4.281 | EY 70-4-101-1 |
| 1 | SPL70 | 2.024-39 | 3.000 | 4.281 | EY 70-4-111-1X |
| 1 | 1480 | 2.024-39 | 2.625 | 4.344 | EY 3-4-13051-1 |
| 1 | 1480 | 2.024-39 | 2.625 | 4.344 | EY 3-4-13061-1X |
| 1 | 1550 | 2.024-39 | 2.625 | 4.266 | EY 4-4-6471-1 |
| 1 | 1550 | 2.024-39 | 2.625 | 4.266 | EY 4-4-7551-1X |
| 1 | 1610 | 2.024-39 | 2.625 | 5.312 | EY 5-4-7971 |
| 1 | 1610 | 2.024-39 | 2.625 | 5.312 | EY 5-4-7971-1 |
| 1 | 1610 | 2.024-39 | 2.625 | 6.000 | EY 5-4-7991 <i>High angle yoke</i> |
| 1 | 1610 | 2.024-39 | 2.625 | 4.719 | EY 5-4-8131-1X |
| 1 | 1610 | 2.024-39 | 2.625 | 5.312 | EY 5-4-8411-1X |
| 1 | 1610 | 2.024-39 | 2.625 | 5.312 | EY 5-4-8411X |
| 1 | 1610 | 2.024-39 | 2.625 | 6.000 | EY 5-4-8421X <i>High angle yoke</i> |
| 1 | 1710 | 2.024-39 | 2.625 | 6.125 | EY 6-4-7981 <i>High angle yoke</i> |
| 1 | 1710 | 2.024-39 | 2.625 | 6.125 | EY 6-4-7981-1 <i>High angle yoke</i> |
| 1 | 1710 | 2.024-39 | 2.625 | 5.250 | EY 6-4-7991 |
| 1 | 1710 | 2.024-39 | 2.625 | 5.250 | EY 6-4-7991-1 |
| 1 | 1710 | 2.024-39 | 2.625 | 5.250 | EY 6-4-8531-1X |
| 1 | 1710 | 2.024-39 | 2.625 | 5.250 | EY 6-4-8531X |
| 1 | 1710 | 2.024-39 | 2.625 | 6.125 | EY 6-4-8541-1X <i>High angle yoke</i> |
| 1 | 1710 | 2.024-39 | 2.625 | 6.125 | EY 6-4-8541X <i>High angle yoke</i> |

| 21060-S | | | | | |
|----------------|--------|----------|-------|-------|---|
| 1 | SPL100 | 2.024-39 | 3.000 | 4.750 | EY 100-4-951-1 |
| 1 | SPL100 | 2.024-39 | 3.000 | 4.750 | EY 100-4-961-1X |
| 1 | SPL140 | 2.024-39 | 3.000 | 4.940 | EY 140-4-361-1 |
| 1 | SPL140 | 2.024-39 | 3.000 | 4.940 | EY 140-4-371-1X |
| 1 | SPL170 | 2.024-39 | 3.000 | 5.156 | EY 170-4-251-1 <i>High angle yoke</i> |
| 1 | SPL170 | 2.024-39 | 3.000 | 5.156 | EY 170-4-261-1X |
| 1 | SPL170 | 2.024-39 | 3.000 | 6.240 | EY 170-4-271-1 <i>High angle yoke</i> |
| 1 | SPL170 | 2.024-39 | 3.000 | 6.240 | EY 170-4-281-1X <i>High angle yoke</i> |

| Pos | Series | Spline Data | Hub Dia | * to End of Hub | End Fitting Part Number |
|-----|--------|-------------|---------|-----------------|-------------------------|
|-----|--------|-------------|---------|-----------------|-------------------------|

| 21060-S (Continued) | | | | | |
|----------------------------|-------|----------|-------|-------|--|
| 1 | SPL55 | 2.024-39 | 3.000 | 4.330 | EY 55-4-71-1 |
| 1 | SPL55 | 2.024-39 | 3.000 | 4.330 | EY 55-4-81-1X |
| 1 | SPL70 | 2.024-39 | 3.000 | 4.281 | EY 70-4-101-1 |
| 1 | SPL70 | 2.024-39 | 3.000 | 4.281 | EY 70-4-111-1X |
| 1 | SPL90 | 2.024-39 | 3.000 | 4.750 | EY 90-4-241-1 |
| 1 | SPL90 | 2.024-39 | 3.000 | 4.750 | EY 90-4-251-1X |
| 1 | 1480 | 2.024-39 | 3.000 | 4.344 | EY 3-4-13071-1 |
| 1 | 1480 | 2.024-39 | 3.000 | 4.344 | EY 3-4-13081-1X |
| 1 | 1550 | 2.024-39 | 3.000 | 4.281 | EY 4-4-7561-1 |
| 1 | 1550 | 2.024-39 | 3.000 | 4.281 | EY 4-4-7571-1X |
| 1 | 1610 | 2.024-39 | 3.000 | 6.000 | EY 5-4-8261 <i>High angle yoke</i> |
| 1 | 1610 | 2.024-39 | 3.000 | 6.000 | EY 5-4-8261-1 <i>High angle yoke</i> |
| 1 | 1610 | 2.024-39 | 3.000 | 4.875 | EY 5-4-9221-1 |
| 1 | 1610 | 2.024-39 | 3.000 | 4.875 | EY 5-4-9231-1X |
| 1 | 1610 | 2.024-39 | 3.000 | 6.000 | EY 5-4-9241-1X <i>High angle yoke</i> |
| 1 | 1610 | 2.024-39 | 3.000 | 6.000 | EY 5-4-9241X <i>High angle yoke</i> |
| 1 | 1710 | 2.024-39 | 3.000 | 6.125 | EY 6-4-8411 <i>High angle yoke</i> |
| 1 | 1710 | 2.024-39 | 3.000 | 6.125 | EY 6-4-8411-1 <i>High angle yoke</i> |
| 1 | 1710 | 2.024-39 | 3.000 | 5.250 | EY 6-4-8421-1 |
| 1 | 1710 | 2.024-39 | 3.000 | 6.125 | EY 6-4-8991-1X <i>High angle yoke</i> |
| 1 | 1710 | 2.024-39 | 3.000 | 6.125 | EY 6-4-8991X <i>High angle yoke</i> |
| 1 | 1710 | 2.024-39 | 3.000 | 5.250 | EY 6-4-9031-1X |
| 1 | 1710 | 2.024-39 | 3.000 | 5.250 | EY 6-4-9031X |

| 21060-T | | | | | |
|----------------|--------|----------|-------|-------|---|
| 1 | SPL100 | 2.024-39 | 2.625 | 4.160 | EY 100-4-1071-1 |
| 1 | SPL100 | 2.024-39 | 2.625 | 4.160 | EY 100-4-1081-1X |
| 1 | SPL140 | 2.024-39 | 2.625 | 5.030 | EY 140-4-551-1 <i>Counterbore at hub end.</i> |
| 1 | SPL140 | 2.024-39 | 2.625 | 5.030 | EY 140-4-561-1X <i>Counterbore at hub end.</i> |
| 1 | SPL170 | 2.024-39 | 2.625 | 4.938 | EY 170-4-151-1 |
| 1 | SPL170 | 2.024-39 | 2.625 | 4.938 | EY 170-4-161-1X |
| 1 | SPL70 | 2.024-39 | 3.000 | 4.281 | EY 70-4-101-1 |
| 1 | SPL70 | 2.024-39 | 3.000 | 4.281 | EY 70-4-111-1X |
| 1 | SPL90 | 2.024-39 | 2.626 | 4.160 | EY 5005379 |
| 1 | SPL90 | 2.024-39 | 2.626 | 4.160 | EY 90-4-05379-1X |
| 1 | SPL90 | 2.024-39 | 2.626 | 4.160 | EY 90-4-621-1 |
| 1 | 1480 | 2.024-39 | 2.625 | 4.344 | EY 3-4-13051-1 |
| 1 | 1480 | 2.024-39 | 2.625 | 4.344 | EY 3-4-13061-1X |
| 1 | 1550 | 2.024-39 | 2.625 | 4.266 | EY 4-4-6471-1 |
| 1 | 1550 | 2.024-39 | 2.625 | 4.266 | EY 4-4-7551-1X |
| 1 | 1610 | 2.024-39 | 2.625 | 5.312 | EY 5-4-7971 |

*C/L to End of Hub for EY (End Yoke); Flange Face to End of Hub for CF (Companion Flange)

■ Hub machined for speedometer gear



| Pos | Series | Spline Data | Hub Dia | * to End of Hub | End Fitting Part Number |
|----------------------------|--------|-------------|---------|-----------------|--|
| 21060-T (Continued) | | | | | |
| 1 | 1610 | 2.024-39 | 2.625 | 5.312 | EY 5-4-7971-1 |
| 1 | 1610 | 2.024-39 | 2.625 | 6.000 | EY 5-4-7991 <i>High angle yoke</i> |
| 1 | 1610 | 2.024-39 | 2.625 | 4.719 | EY 5-4-8131-1X |
| 1 | 1610 | 2.024-39 | 2.625 | 5.312 | EY 5-4-8411-1X |
| 1 | 1610 | 2.024-39 | 2.625 | 5.312 | EY 5-4-8411X |
| 1 | 1610 | 2.024-39 | 2.625 | 6.000 | EY 5-4-8421X <i>High angle yoke</i> |
| 1 | 1710 | 2.024-39 | 2.625 | 6.125 | EY 6-4-7981 <i>High angle yoke</i> |
| 1 | 1710 | 2.024-39 | 2.625 | 6.125 | EY 6-4-7981-1 <i>High angle yoke</i> |
| 1 | 1710 | 2.024-39 | 2.625 | 5.250 | EY 6-4-7991 |
| 1 | 1710 | 2.024-39 | 2.625 | 5.250 | EY 6-4-7991-1 |
| 1 | 1710 | 2.024-39 | 2.625 | 5.250 | EY 6-4-8531-1X |
| 1 | 1710 | 2.024-39 | 2.625 | 5.250 | EY 6-4-8531X |
| 1 | 1710 | 2.024-39 | 2.625 | 6.125 | EY 6-4-8541-1X <i>High angle yoke</i> |
| 1 | 1710 | 2.024-39 | 2.625 | 6.125 | EY 6-4-8541X <i>High angle yoke</i> |

| Pos | Series | Spline Data | Hub Dia | * to End of Hub | End Fitting Part Number |
|-------------------------|--------|-------------|---------|-----------------|---|
| 21065-D, 21065-P | | | | | |
| 1 | SPL140 | 2.024-39 | 2.625 | 4.940 | EY 140-4-491-1 |
| 1 | SPL140 | 2.024-39 | 2.625 | 4.940 | EY 140-4-501-1X |
| 1 | SPL170 | 2.024-39 | 2.625 | 4.938 | EY 170-4-161-1X |
| 1 | SPL170 | 2.024-39 | 2.625 | 6.016 | EY 170-4-181-1X <i>High angle yoke</i> |
| 1 | SPL90 | 2.024-39 | 2.626 | 4.160 | EY 90-4-621-1 |
| 1 | SPL90 | 2.024-39 | 2.626 | 4.160 | EY 90-4-631-1X |
| 1 | 1480 | 2.024-39 | 2.625 | 4.344 | EY 3-4-11051-1 |
| 1 | 1480 | 2.024-39 | 2.625 | 4.344 | EY 3-4-11061-1X |
| 1 | 1550 | 2.024-39 | 2.625 | 4.281 | EY 4-4-5621-1 |
| 1 | 1550 | 2.024-39 | 2.625 | 4.281 | EY 4-4-5691-1X |
| 1 | 1550 | 2.024-39 | 2.625 | 4.266 | EY 4-4-7551-1X |
| 1 | 1610 | 2.024-39 | 2.625 | 4.719 | EY 5-4-7981-1 |
| 1 | 1610 | 2.024-39 | 2.625 | 4.719 | EY 5-4-8131-1X |
| 1 | 1610 | 2.024-39 | 2.625 | 5.312 | EY 5-4-8411X |
| 1 | 1610 | 2.024-39 | 2.625 | 6.000 | EY 5-4-8421X <i>High angle yoke</i> |
| 1 | 1710 | 2.024-39 | 2.625 | 5.250 | EY 6-4-8531X |
| 1 | 1710 | 2.024-39 | 2.625 | 6.125 | EY 6-4-8541X <i>High angle yoke</i> |

| Pos | Series | Spline Data | Hub Dia | * to End of Hub | End Fitting Part Number |
|-------------------------|--------|-------------|---------|-----------------|--|
| 21065-S, 21065-T | | | | | |
| 1 | SPL100 | 2.024-39 | 2.625 | 7.295 | EY 100-4-1321-1 <i>Flanged yoke w/8 tapped holes in flange</i> |
| 1 | SPL100 | 2.024-39 | 2.625 | 7.295 | EY 100-4-1331-1X <i>Flanged yoke w/8 tapped holes in flange</i> |
| 1 | SPL140 | 2.024-39 | 2.768 | 7.587 | EY 140-4-1601-1 <i>Flanged yoke w/8 tapped holes in flange</i> |
| 1 | SPL140 | 2.024-39 | 2.768 | 7.587 | EY 140-4-1611-1X <i>Flanged yoke w/8 tapped holes in flange</i> |
| 1 | SPL140 | 2.024-39 | 2.625 | 4.940 | EY 140-4-491-1 |
| 1 | SPL140 | 2.024-39 | 2.625 | 4.940 | EY 140-4-501-1X |
| 1 | SPL170 | 2.024-39 | 2.625 | 4.938 | EY 170-4-161-1X |
| 1 | SPL170 | 2.024-39 | 2.625 | 6.016 | EY 170-4-181-1X <i>High angle yoke</i> |
| 1 | SPL90 | 2.024-39 | 2.626 | 4.160 | EY 90-4-621-1 |
| 1 | SPL90 | 2.024-39 | 2.626 | 4.160 | EY 90-4-631-1X |
| 1 | 1480 | 2.024-39 | 2.625 | 4.344 | EY 3-4-11051-1 |
| 1 | 1480 | 2.024-39 | 2.625 | 4.344 | EY 3-4-11061-1X |
| 1 | 1550 | 2.024-39 | 2.625 | 4.281 | EY 4-4-5621-1 |

| Pos | Series | Spline Data | Hub Dia | * to End of Hub | End Fitting Part Number |
|-------------------------------------|--------|-------------|---------|-----------------|--|
| 21065-S, 21065-T (Continued) | | | | | |
| 1 | 1550 | 2.024-39 | 2.625 | 4.281 | EY 4-4-5691-1X |
| 1 | 1550 | 2.024-39 | 2.625 | 4.266 | EY 4-4-7551-1X |
| 1 | 1610 | 2.024-39 | 2.625 | 4.719 | EY 5-4-7981-1 |
| 1 | 1610 | 2.024-39 | 2.625 | 4.719 | EY 5-4-8131-1X |
| 1 | 1610 | 2.024-39 | 2.625 | 5.312 | EY 5-4-8411X |
| 1 | 1610 | 2.024-39 | 2.625 | 6.000 | EY 5-4-8421X <i>High angle yoke</i> |
| 1 | 1710 | 2.024-39 | 2.625 | 5.250 | EY 6-4-8531X |
| 1 | 1710 | 2.024-39 | 2.625 | 6.125 | EY 6-4-8541X <i>High angle yoke</i> |

| Pos | Series | Spline Data | Hub Dia | * to End of Hub | End Fitting Part Number |
|-------------------------|--------|-------------|---------|-----------------|---|
| 21080-A, 21080-D | | | | | |
| 1 | SPL100 | 2.281-44 | 2.938 | 4.469 | EY 100-4-1381-1X |
| 1 | SPL140 | 2.274-44 | 2.938 | 5.190 | EY 140-4-1191-1 |
| 1 | SPL140 | 2.274-44 | 2.938 | 5.190 | EY 140-4-1201-1X |
| 1 | SPL140 | 2.143-41 | 2.938 | 5.560 | EY 140-4-421-1 |
| 1 | SPL140 | 2.143-41 | 2.938 | 5.560 | EY 140-4-431-1X |
| 1 | SPL140 | 2.274-44 | 2.938 | 5.190 | EY 140-4-441-1 |
| 1 | SPL140 | 2.274-44 | 2.938 | 5.190 | EY 140-4-451-1X |
| 1 | SPL170 | 2.274-44 | 2.938 | 5.094 | EY 170-4-21-1 |
| 1 | SPL170 | 2.274-44 | 2.938 | 5.094 | EY 170-4-31-1X |
| 1 | SPL170 | 2.143-41 | 2.938 | 5.320 | EY 170-4-351-1 |
| 1 | SPL170 | 2.143-41 | 2.938 | 5.320 | EY 170-4-361-1X |
| 1 | SPL170 | 2.143-41 | 2.938 | 6.680 | EY 170-4-371-1 <i>High angle yoke</i> |
| 1 | SPL170 | 2.143-41 | 2.938 | 6.680 | EY 170-4-381-1X <i>High angle yoke</i> |
| 1 | SPL250 | 2.143-41 | 2.938 | 5.490 | EY 250-4-131-1 |
| 1 | SPL250 | 2.143-41 | 2.938 | 5.490 | EY 250-4-141-1X |
| 1 | SPL250 | 2.274-44 | 2.938 | 5.328 | EY 250-4-31-1 |
| 1 | SPL250 | 2.274-44 | 2.938 | 5.328 | EY 250-4-41-1X |
| 1 | SPL90 | 2.281-44 | 2.938 | 4.469 | EY 90-4-281-1 |
| 1 | 1610 | 2.274-44 | 2.938 | 4.844 | EY 5-4-8021-1 |
| 1 | 1610 | 2.274-44 | 2.938 | 4.844 | EY 5-4-9101-1X |
| 1 | 1710 | 2.274-44 | 2.938 | 5.031 | EY 6-4-7961 |
| 1 | 1710 | 2.274-44 | 2.938 | 5.031 | EY 6-4-7961-1 |
| 1 | 1710 | 2.274-44 | 2.938 | 5.031 | EY 6-4-9161-1X |
| 1 | 1710 | 2.274-44 | 2.938 | 5.031 | EY 6-4-9161X |
| 1 | 1760 | 2.274-44 | 2.938 | 5.094 | EY 6.3-4-1321 |
| 1 | 1760 | 2.274-44 | 2.938 | 5.094 | EY 6.3-4-1321-1 |
| 1 | 1760 | 2.274-44 | 2.938 | 5.094 | EY 6.3-4-1621-1X |
| 1 | 1760 | 2.274-44 | 2.938 | 5.094 | EY 6.3-4-1621X |
| 1 | 1810 | 2.274-44 | 2.938 | 5.090 | EY 6.5-4-4081-1 |
| 1 | 1810 | 2.274-44 | 2.938 | 5.090 | EY 6.5-4-4591-1X |

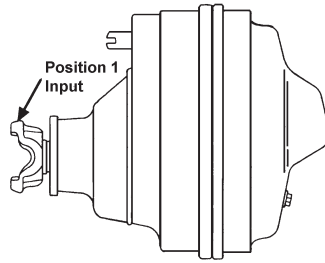
| Pos | Series | Spline Data | Hub Dia | * to End of Hub | End Fitting Part Number |
|----------------|--------|-------------|---------|-----------------|--|
| 21080-P | | | | | |
| 1 | 1810 | 2.143-41 | 2.938 | 3.500 | CF 6.5-1-2941 |
| 1 | 1710 | 2.143-41 | 2.938 | 5.190 | EY 6-4-7311 |
| 1 | 1710 | 2.143-41 | 2.938 | 5.190 | EY 6-4-7311-1 |
| 1 | 1710 | 2.143-41 | 2.938 | 6.125 | EY 6-4-7551 <i>High angle yoke</i> |
| 1 | 1710 | 2.143-41 | 2.938 | 6.125 | EY 6-4-7551-1 <i>High angle yoke</i> |
| 1 | 1710 | 2.143-41 | 2.938 | 5.190 | EY 6-4-9171-1X |
| 1 | 1710 | 2.143-41 | 2.938 | 5.190 | EY 6-4-9171X |
| 1 | 1710 | 2.143-41 | 2.938 | 6.125 | EY 6-4-9181-1X <i>High angle yoke</i> |
| 1 | 1710 | 2.143-41 | 2.938 | 6.125 | EY 6-4-9181X <i>High angle yoke</i> |
| 1 | 1760 | 2.143-41 | 2.938 | 5.250 | EY 6.3-4-1061 |

Continued on next page

*C/L to End of Hub for EY (End Yoke); Flange Face to End of Hub for CF (Companion Flange)

■ Hub machined for speedometer gear





| Pos | Series | Spline Data | Hub Dia | * to End of Hub | End Fitting Part Number |
|-----|--------|-------------|---------|-----------------|-------------------------|
|-----|--------|-------------|---------|-----------------|-------------------------|

21080-P (Continued)

| | | | | | |
|---|--------|----------|-------|-------|---|
| 1 | 1760 | 2.143-41 | 2.938 | 5.250 | EY 6.3-4-1061-1 |
| 1 | 1760 | 2.143-41 | 2.938 | 5.250 | EY 6.3-4-1631-1X |
| 1 | 1810 | 2.143-41 | 2.938 | 5.250 | EY 6.5-4-4601-1X |
| 1 | 1810 | 2.143-41 | 2.938 | 5.250 | EY 6.5-4-4601X |
| 1 | SPL140 | 2.143-41 | 2.938 | 5.560 | EY 140-4-421-1 |
| 1 | SPL140 | 2.143-41 | 2.938 | 5.560 | EY 140-4-431-1X |
| 1 | SPL170 | 2.143-41 | 2.938 | 5.320 | EY 170-4-351-1 |
| 1 | SPL170 | 2.143-41 | 2.938 | 5.320 | EY 170-4-361-1X |
| 1 | SPL170 | 2.143-41 | 2.938 | 6.680 | EY 170-4-371-1 <i>High angle yoke</i> |
| 1 | SPL170 | 2.143-41 | 2.938 | 6.680 | EY 170-4-381-1X <i>High angle yoke</i> |
| 1 | SPL250 | 2.143-41 | 2.938 | 5.490 | EY 250-4-131-1 |
| 1 | SPL250 | 2.143-41 | 2.938 | 5.490 | EY 250-4-141-1X |
| 1 | SPL90 | 2.143-41 | 2.938 | 4.562 | EY 90-4-471-1 |
| 1 | SPL90 | 2.143-41 | 2.938 | 4.562 | EY 90-4-691-1X |
| 1 | 1550 | 2.143-41 | 2.938 | 4.500 | EY 4-4-5581-1 |
| 1 | 1610 | 2.143-41 | 2.938 | 5.250 | EY 5-4-7271-1 |
| 1 | 1610 | 2.143-41 | 2.938 | 6.000 | EY 5-4-7561 |
| 1 | 1610 | 2.143-41 | 2.938 | 6.000 | EY 5-4-7561-1 |
| 1 | 1610 | 2.143-41 | 2.938 | 5.250 | EY 5-4-9111-1X |
| 1 | 1610 | 2.143-41 | 2.938 | 6.000 | EY 5-4-9121-1X |
| 1 | 1610 | 2.143-41 | 2.938 | 6.000 | EY 5-4-9121X |

21080-S

| | | | | | |
|---|--------|----------|-------|-------|---|
| 1 | SPL100 | 2.281-44 | 2.938 | 4.469 | EY 100-4-1381-1X |
| 1 | SPL140 | 2.274-44 | 2.938 | 5.190 | EY 140-4-1191-1 |
| 1 | SPL140 | 2.274-44 | 2.938 | 5.190 | EY 140-4-1201-1X |
| 1 | SPL140 | 2.143-41 | 2.938 | 5.560 | EY 140-4-421-1 |
| 1 | SPL140 | 2.143-41 | 2.938 | 5.560 | EY 140-4-431-1X |
| 1 | SPL140 | 2.274-44 | 2.938 | 5.190 | EY 140-4-441-1 |
| 1 | SPL140 | 2.274-44 | 2.938 | 5.190 | EY 140-4-451-1X |
| 1 | SPL170 | 2.274-44 | 2.938 | 5.094 | EY 170-4-21-1 |
| 1 | SPL170 | 2.274-44 | 2.938 | 5.094 | EY 170-4-31-1X |
| 1 | SPL170 | 2.143-41 | 2.938 | 5.320 | EY 170-4-351-1 |
| 1 | SPL170 | 2.143-41 | 2.938 | 5.320 | EY 170-4-361-1X |
| 1 | SPL170 | 2.143-41 | 2.938 | 6.680 | EY 170-4-371-1 <i>High angle yoke</i> |
| 1 | SPL170 | 2.143-41 | 2.938 | 6.680 | EY 170-4-381-1X <i>High angle yoke</i> |
| 1 | SPL250 | 2.143-41 | 2.938 | 5.490 | EY 250-4-131-1 |
| 1 | SPL250 | 2.143-41 | 2.938 | 5.490 | EY 250-4-141-1X |
| 1 | SPL250 | 2.274-44 | 2.938 | 5.328 | EY 250-4-31-1 |
| 1 | SPL250 | 2.274-44 | 2.938 | 5.328 | EY 250-4-41-1X |
| 1 | SPL90 | 2.281-44 | 2.938 | 4.469 | EY 90-4-281-1 |
| 1 | 1610 | 2.274-44 | 2.938 | 4.844 | EY 5-4-8021-1 |
| 1 | 1610 | 2.274-44 | 2.938 | 4.844 | EY 5-4-9101-1X |
| 1 | 1710 | 2.274-44 | 2.938 | 5.031 | EY 6-4-7961 |
| 1 | 1710 | 2.274-44 | 2.938 | 5.031 | EY 6-4-7961-1 |
| 1 | 1710 | 2.274-44 | 2.938 | 5.031 | EY 6-4-9161-1X |

| Pos | Series | Spline Data | Hub Dia | * to End of Hub | End Fitting Part Number |
|-----|--------|-------------|---------|-----------------|-------------------------|
|-----|--------|-------------|---------|-----------------|-------------------------|

21080-S (Continued)

| | | | | | |
|---|------|----------|-------|-------|------------------|
| 1 | 1710 | 2.274-44 | 2.938 | 5.031 | EY 6-4-9161X |
| 1 | 1760 | 2.274-44 | 2.938 | 5.094 | EY 6.3-4-1321 |
| 1 | 1760 | 2.274-44 | 2.938 | 5.094 | EY 6.3-4-1321-1 |
| 1 | 1760 | 2.274-44 | 2.938 | 5.094 | EY 6.3-4-1621-1X |
| 1 | 1760 | 2.274-44 | 2.938 | 5.094 | EY 6.3-4-1621X |
| 1 | 1810 | 2.274-44 | 2.938 | 5.090 | EY 6.5-4-4081-1 |
| 1 | 1810 | 2.274-44 | 2.938 | 5.090 | EY 6.5-4-4591-1X |

21080-T

| | | | | | |
|---|--------|----------|-------|-------|---|
| 1 | 1810 | 2.143-41 | 2.938 | 3.500 | CF 6.5-1-2941 |
| 1 | 1710 | 2.143-41 | 2.938 | 5.190 | EY 6-4-7311 |
| 1 | 1710 | 2.143-41 | 2.938 | 5.190 | EY 6-4-7311-1 |
| 1 | 1710 | 2.143-41 | 2.938 | 6.125 | EY 6-4-7551 <i>High angle yoke</i> |
| 1 | 1710 | 2.143-41 | 2.938 | 6.125 | EY 6-4-7551-1 <i>High angle yoke</i> |
| 1 | 1710 | 2.143-41 | 2.938 | 5.190 | EY 6-4-9171-1X |
| 1 | 1710 | 2.143-41 | 2.938 | 5.190 | EY 6-4-9171X |
| 1 | 1710 | 2.143-41 | 2.938 | 6.125 | EY 6-4-9181-1X <i>High angle yoke</i> |
| 1 | 1710 | 2.143-41 | 2.938 | 6.125 | EY 6-4-9181X <i>High angle yoke</i> |
| 1 | 1760 | 2.143-41 | 2.938 | 5.250 | EY 6.3-4-1061 |
| 1 | 1760 | 2.143-41 | 2.938 | 5.250 | EY 6.3-4-1061-1 |
| 1 | 1760 | 2.143-41 | 2.938 | 5.250 | EY 6.3-4-1631-1X |
| 1 | 1810 | 2.143-41 | 2.938 | 5.250 | EY 6.5-4-4601-1X |
| 1 | 1810 | 2.143-41 | 2.938 | 5.250 | EY 6.5-4-4601X |
| 1 | SPL140 | 2.143-41 | 2.938 | 5.560 | EY 140-4-421-1 |
| 1 | SPL140 | 2.143-41 | 2.938 | 5.560 | EY 140-4-431-1X |
| 1 | SPL170 | 2.143-41 | 2.938 | 5.320 | EY 170-4-351-1 |
| 1 | SPL170 | 2.143-41 | 2.938 | 5.320 | EY 170-4-361-1X |
| 1 | SPL170 | 2.143-41 | 2.938 | 6.680 | EY 170-4-371-1 <i>High angle yoke</i> |
| 1 | SPL170 | 2.143-41 | 2.938 | 6.680 | EY 170-4-381-1X <i>High angle yoke</i> |
| 1 | SPL250 | 2.143-41 | 2.938 | 5.490 | EY 250-4-131-1 |
| 1 | SPL250 | 2.143-41 | 2.938 | 5.490 | EY 250-4-141-1X |
| 1 | SPL90 | 2.143-41 | 2.938 | 4.562 | EY 90-4-471-1 |
| 1 | SPL90 | 2.143-41 | 2.938 | 4.562 | EY 90-4-691-1X |
| 1 | 1550 | 2.143-41 | 2.938 | 4.500 | EY 4-4-5581-1 |
| 1 | 1610 | 2.143-41 | 2.938 | 5.250 | EY 5-4-7271-1 |
| 1 | 1610 | 2.143-41 | 2.938 | 6.000 | EY 5-4-7561 |
| 1 | 1610 | 2.143-41 | 2.938 | 6.000 | EY 5-4-7561-1 |
| 1 | 1610 | 2.143-41 | 2.938 | 5.250 | EY 5-4-9111-1X |
| 1 | 1610 | 2.143-41 | 2.938 | 6.000 | EY 5-4-9121-1X |
| 1 | 1610 | 2.143-41 | 2.938 | 6.000 | EY 5-4-9121X |

21085-P, 21085-T

| | | | | | |
|---|--------|----------|-------|-------|-----------------|
| 1 | SPL140 | 2.143-41 | 2.938 | 5.560 | EY 140-4-431-1X |
|---|--------|----------|-------|-------|-----------------|

*C/L to End of Hub for EY (End Yoke); Flange Face to End of Hub for CF (Companion Flange)

■ Hub machined for speedometer gear



| Pos | Series | Spline Data | Hub Dia | * to End of Hub | End Fitting Part Number |
|---------------------|--------|-------------|---------|-----------------|---|
| 21130, 21430 | | | | | |
| 1 | SPL170 | 2.024-39 | 2.625 | 4.938 | EY 170-4-161-1X |
| 1 | SPL170 | 2.024-39 | 2.625 | 6.016 | EY 170-4-181-1X <i>High angle yoke</i> |
| 1 | 1550 | 2.024-39 | 2.625 | 4.266 | EY 4-4-7551-1X |
| 1 | 1610 | 2.024-39 | 2.625 | 4.719 | EY 5-4-8131-1X |
| 1 | 1610 | 2.024-39 | 2.625 | 5.312 | EY 5-4-8411X |
| 1 | 1610 | 2.024-39 | 2.625 | 6.000 | EY 5-4-8421X <i>High angle yoke</i> |
| 1 | 1710 | 2.024-39 | 2.625 | 5.250 | EY 6-4-8531X |
| 1 | 1710 | 2.024-39 | 2.625 | 6.125 | EY 6-4-8541X <i>High angle yoke</i> |

| Pos | Series | Spline Data | Hub Dia | * to End of Hub | End Fitting Part Number |
|-------------------------|--------|-------------|---------|-----------------|---|
| 22060-A, 22060-D | | | | | |
| 1 | SPL100 | 2.024-39 | 3.000 | 4.750 | EY 100-4-951-1 |
| 1 | SPL100 | 2.024-39 | 3.000 | 4.750 | EY 100-4-961-1X |
| 1 | SPL140 | 2.024-39 | 3.000 | 4.940 | EY 140-4-1151-1 |
| 1 | SPL140 | 2.024-39 | 3.000 | 4.940 | EY 140-4-1161-1X |
| 1 | SPL140 | 2.024-39 | 3.000 | 4.940 | EY 140-4-361-1 |
| 1 | SPL140 | 2.024-39 | 3.000 | 4.940 | EY 140-4-371-1X |
| 1 | SPL170 | 2.024-39 | 3.000 | 5.156 | EY 170-4-251-1 <i>High angle yoke</i> |
| 1 | SPL170 | 2.024-39 | 3.000 | 5.156 | EY 170-4-261-1X |
| 1 | SPL170 | 2.024-39 | 3.000 | 6.240 | EY 170-4-271-1 <i>High angle yoke</i> |
| 1 | SPL170 | 2.024-39 | 3.000 | 6.240 | EY 170-4-281-1X <i>High angle yoke</i> |
| 1 | SPL55 | 2.024-39 | 3.000 | 4.330 | EY 55-4-71-1 |
| 1 | SPL55 | 2.024-39 | 3.000 | 4.330 | EY 55-4-81-1X |
| 1 | SPL70 | 2.024-39 | 3.000 | 4.281 | EY 70-4-101-1 |
| 1 | SPL70 | 2.024-39 | 3.000 | 4.281 | EY 70-4-111-1X |
| 1 | SPL90 | 2.024-39 | 3.000 | 4.750 | EY 90-4-241-1 |
| 1 | SPL90 | 2.024-39 | 3.000 | 4.750 | EY 90-4-251-1X |
| 1 | 1480 | 2.024-39 | 3.000 | 4.344 | EY 3-4-13071-1 |
| 1 | 1480 | 2.024-39 | 3.000 | 4.344 | EY 3-4-13081-1X |
| 1 | 1550 | 2.024-39 | 3.000 | 4.281 | EY 4-4-7561-1 |
| 1 | 1550 | 2.024-39 | 3.000 | 4.281 | EY 4-4-7571-1X |
| 1 | 1610 | 2.024-39 | 3.000 | 6.000 | EY 5-4-8261 <i>High angle yoke</i> |
| 1 | 1610 | 2.024-39 | 3.000 | 6.000 | EY 5-4-8261-1 <i>High angle yoke</i> |
| 1 | 1610 | 2.024-39 | 3.000 | 4.875 | EY 5-4-9221-1 |
| 1 | 1610 | 2.024-39 | 3.000 | 4.875 | EY 5-4-9231-1X |
| 1 | 1610 | 2.024-39 | 3.000 | 6.000 | EY 5-4-9241-1X <i>High angle yoke</i> |
| 1 | 1610 | 2.024-39 | 3.000 | 6.000 | EY 5-4-9241X <i>High angle yoke</i> |
| 1 | 1710 | 2.024-39 | 3.000 | 6.125 | EY 6-4-8411 <i>High angle yoke</i> |
| 1 | 1710 | 2.024-39 | 3.000 | 6.125 | EY 6-4-8411-1 <i>High angle yoke</i> |
| 1 | 1710 | 2.024-39 | 3.000 | 5.250 | EY 6-4-8421 |
| 1 | 1710 | 2.024-39 | 3.000 | 5.250 | EY 6-4-8421-1 |
| 1 | 1710 | 2.024-39 | 3.000 | 6.125 | EY 6-4-8991-1X <i>High angle yoke</i> |
| 1 | 1710 | 2.024-39 | 3.000 | 6.125 | EY 6-4-8991X <i>High angle yoke</i> |
| 1 | 1710 | 2.024-39 | 3.000 | 5.250 | EY 6-4-9031-1X |
| 1 | 1710 | 2.024-39 | 3.000 | 5.250 | EY 6-4-9031X |

| Pos | Series | Spline Data | Hub Dia | * to End of Hub | End Fitting Part Number |
|----------------|--------|-------------|---------|-----------------|---|
| 22060-P | | | | | |
| 1 | SPL100 | 2.024-39 | 2.625 | 4.160 | EY 100-4-1071-1 |
| 1 | SPL100 | 2.024-39 | 2.625 | 4.160 | EY 100-4-1081-1X |
| 1 | SPL140 | 2.024-39 | 2.625 | 5.030 | EY 140-4-551-1 <i>Counterbore at hub end.</i> |
| 1 | SPL140 | 2.024-39 | 2.625 | 5.030 | EY 140-4-561-1X <i>Counterbore at hub end.</i> |
| 1 | SPL170 | 2.024-39 | 2.625 | 4.938 | EY 170-4-151-1 |
| 1 | SPL170 | 2.024-39 | 2.625 | 4.938 | EY 170-4-161-1X |
| 1 | SPL170 | 2.024-39 | 2.625 | 6.016 | EY 170-4-171-1 <i>High angle yoke</i> |
| 1 | SPL170 | 2.024-39 | 2.625 | 6.016 | EY 170-4-181-1X <i>High angle yoke</i> |
| 1 | SPL70 | 2.024-39 | 3.000 | 4.281 | EY 70-4-101-1 |
| 1 | SPL70 | 2.024-39 | 3.000 | 4.281 | EY 70-4-111-1X |
| 1 | 1480 | 2.024-39 | 2.625 | 4.344 | EY 3-4-13051-1 |
| 1 | 1480 | 2.024-39 | 2.625 | 4.344 | EY 3-4-13061-1X |
| 1 | 1550 | 2.024-39 | 2.625 | 4.266 | EY 4-4-6471-1 |
| 1 | 1550 | 2.024-39 | 2.625 | 4.266 | EY 4-4-7551-1X |
| 1 | 1610 | 2.024-39 | 2.625 | 5.312 | EY 5-4-7971 |
| 1 | 1610 | 2.024-39 | 2.625 | 5.312 | EY 5-4-7971-1 |
| 1 | 1610 | 2.024-39 | 2.625 | 4.719 | EY 5-4-8131-1X |
| 1 | 1610 | 2.024-39 | 2.625 | 5.312 | EY 5-4-8411-1X |
| 1 | 1610 | 2.024-39 | 2.625 | 5.312 | EY 5-4-8411X |
| 1 | 1610 | 2.024-39 | 2.625 | 6.000 | EY 5-4-8421X <i>High angle yoke</i> |
| 1 | 1710 | 2.024-39 | 2.625 | 6.125 | EY 6-4-7981 <i>High angle yoke</i> |
| 1 | 1710 | 2.024-39 | 2.625 | 6.125 | EY 6-4-7981-1 <i>High angle yoke</i> |
| 1 | 1710 | 2.024-39 | 2.625 | 5.250 | EY 6-4-7991 |
| 1 | 1710 | 2.024-39 | 2.625 | 5.250 | EY 6-4-7991-1 |
| 1 | 1710 | 2.024-39 | 2.625 | 5.250 | EY 6-4-8531-1X |
| 1 | 1710 | 2.024-39 | 2.625 | 5.250 | EY 6-4-8531X |
| 1 | 1710 | 2.024-39 | 2.625 | 6.125 | EY 6-4-8541-1X <i>High angle yoke</i> |
| 1 | 1710 | 2.024-39 | 2.625 | 6.125 | EY 6-4-8541X <i>High angle yoke</i> |

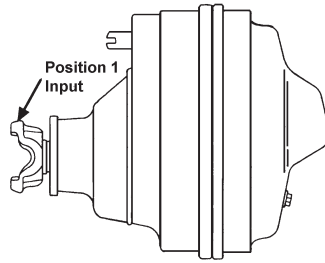
| Pos | Series | Spline Data | Hub Dia | * to End of Hub | End Fitting Part Number |
|----------------|--------|-------------|---------|-----------------|---|
| 22060-S | | | | | |
| 1 | SPL100 | 2.024-39 | 3.000 | 4.750 | EY 100-4-951-1 |
| 1 | SPL100 | 2.024-39 | 3.000 | 4.750 | EY 100-4-961-1X |
| 1 | SPL140 | 2.024-39 | 3.000 | 4.940 | EY 140-4-1151-1 |
| 1 | SPL140 | 2.024-39 | 3.000 | 4.940 | EY 140-4-1161-1X |
| 1 | SPL140 | 2.024-39 | 3.000 | 4.940 | EY 140-4-361-1 |
| 1 | SPL140 | 2.024-39 | 3.000 | 4.940 | EY 140-4-371-1X |
| 1 | SPL170 | 2.024-39 | 3.000 | 5.156 | EY 170-4-251-1 <i>High angle yoke</i> |
| 1 | SPL170 | 2.024-39 | 3.000 | 5.156 | EY 170-4-261-1X |
| 1 | SPL170 | 2.024-39 | 3.000 | 6.240 | EY 170-4-271-1 <i>High angle yoke</i> |
| 1 | SPL170 | 2.024-39 | 3.000 | 6.240 | EY 170-4-281-1X <i>High angle yoke</i> |
| 1 | SPL55 | 2.024-39 | 3.000 | 4.330 | EY 55-4-71-1 |
| 1 | SPL55 | 2.024-39 | 3.000 | 4.330 | EY 55-4-81-1X |
| 1 | SPL70 | 2.024-39 | 3.000 | 4.281 | EY 70-4-101-1 |
| 1 | SPL70 | 2.024-39 | 3.000 | 4.281 | EY 70-4-111-1X |
| 1 | SPL90 | 2.024-39 | 3.000 | 4.750 | EY 90-4-241-1 |
| 1 | SPL90 | 2.024-39 | 3.000 | 4.750 | EY 90-4-251-1X |
| 1 | 1480 | 2.024-39 | 3.000 | 4.344 | EY 3-4-13071-1 |
| 1 | 1480 | 2.024-39 | 3.000 | 4.344 | EY 3-4-13081-1X |

Continued on next page

*C/L to End of Hub for EY (End Yoke); Flange Face to End of Hub for CF (Companion Flange)

■ Hub machined for speedometer gear





| Pos | Series | Spline Data | Hub Dia | * to End of Hub | End Fitting Part Number |
|----------------------------|--------|-------------|---------|-----------------|--|
| 22060-S (Continued) | | | | | |
| 1 | 1550 | 2.024-39 | 3.000 | 4.281 | EY 4-4-7561-1 |
| 1 | 1550 | 2.024-39 | 3.000 | 4.281 | EY 4-4-7571-1X |
| 1 | 1610 | 2.024-39 | 3.000 | 6.000 | EY 5-4-8261 <i>High angle yoke</i> |
| 1 | 1610 | 2.024-39 | 3.000 | 6.000 | EY 5-4-8261-1 <i>High angle yoke</i> |
| 1 | 1610 | 2.024-39 | 3.000 | 4.875 | EY 5-4-9221-1 |
| 1 | 1610 | 2.024-39 | 3.000 | 4.875 | EY 5-4-9231-1X |
| 1 | 1610 | 2.024-39 | 3.000 | 6.000 | EY 5-4-9241-1X <i>High angle yoke</i> |
| 1 | 1610 | 2.024-39 | 3.000 | 6.000 | EY 5-4-9241X <i>High angle yoke</i> |
| 1 | 1710 | 2.024-39 | 3.000 | 6.125 | EY 6-4-8411 <i>High angle yoke</i> |
| 1 | 1710 | 2.024-39 | 3.000 | 6.125 | EY 6-4-8411-1 <i>High angle yoke</i> |
| 1 | 1710 | 2.024-39 | 3.000 | 5.250 | EY 6-4-8421 |
| 1 | 1710 | 2.024-39 | 3.000 | 5.250 | EY 6-4-8421-1 |
| 1 | 1710 | 2.024-39 | 3.000 | 6.125 | EY 6-4-8991-1X <i>High angle yoke</i> |
| 1 | 1710 | 2.024-39 | 3.000 | 6.125 | EY 6-4-8991X <i>High angle yoke</i> |
| 1 | 1710 | 2.024-39 | 3.000 | 5.250 | EY 6-4-9031-1X |
| 1 | 1710 | 2.024-39 | 3.000 | 5.250 | EY 6-4-9031X |

| Pos | Series | Spline Data | Hub Dia | * to End of Hub | End Fitting Part Number |
|----------------|--------|-------------|---------|-----------------|---|
| 22060-T | | | | | |
| 1 | SPL100 | 2.024-39 | 2.625 | 4.160 | EY 100-4-1071-1 |
| 1 | SPL100 | 2.024-39 | 2.625 | 4.160 | EY 100-4-1081-1X |
| 1 | SPL140 | 2.024-39 | 2.625 | 5.030 | EY 140-4-551-1 <i>Counterbore at hub end.</i> |
| 1 | SPL140 | 2.024-39 | 2.625 | 5.030 | EY 140-4-561-1X <i>Counterbore at hub end.</i> |
| 1 | SPL170 | 2.024-39 | 2.625 | 4.938 | EY 170-4-151-1 |
| 1 | SPL170 | 2.024-39 | 2.625 | 4.938 | EY 170-4-161-1X |
| 1 | SPL70 | 2.024-39 | 3.000 | 4.281 | EY 70-4-101-1 |
| 1 | SPL70 | 2.024-39 | 3.000 | 4.281 | EY 70-4-111-1X |
| 1 | 1480 | 2.024-39 | 2.625 | 4.344 | EY 3-4-13051-1 |
| 1 | 1480 | 2.024-39 | 2.625 | 4.344 | EY 3-4-13061-1X |
| 1 | 1550 | 2.024-39 | 2.625 | 4.266 | EY 4-4-6471-1 |
| 1 | 1550 | 2.024-39 | 2.625 | 4.266 | EY 4-4-7551-1X |
| 1 | 1610 | 2.024-39 | 2.625 | 5.312 | EY 5-4-7971 |
| 1 | 1610 | 2.024-39 | 2.625 | 5.312 | EY 5-4-7971-1 |
| 1 | 1610 | 2.024-39 | 2.625 | 6.000 | EY 5-4-7991 <i>High angle yoke</i> |
| 1 | 1610 | 2.024-39 | 2.625 | 4.719 | EY 5-4-8131-1X |
| 1 | 1610 | 2.024-39 | 2.625 | 5.312 | EY 5-4-8411-1X |
| 1 | 1610 | 2.024-39 | 2.625 | 5.312 | EY 5-4-8411X |
| 1 | 1610 | 2.024-39 | 2.625 | 6.000 | EY 5-4-8421X <i>High angle yoke</i> |
| 1 | 1710 | 2.024-39 | 2.625 | 6.125 | EY 6-4-7981 <i>High angle yoke</i> |
| 1 | 1710 | 2.024-39 | 2.625 | 6.125 | EY 6-4-7981-1 <i>High angle yoke</i> |

| Pos | Series | Spline Data | Hub Dia | * to End of Hub | End Fitting Part Number |
|---|--------|-------------|---------|-----------------|---|
| 22060-T (Continued) | | | | | |
| 1 | 1710 | 2.024-39 | 2.625 | 5.250 | EY 6-4-7991 |
| 1 | 1710 | 2.024-39 | 2.625 | 5.250 | EY 6-4-8531-1X |
| 1 | 1710 | 2.024-39 | 2.625 | 5.250 | EY 6-4-8531X |
| 1 | 1710 | 2.024-39 | 2.625 | 6.125 | EY 6-4-8541-1X <i>High angle yoke</i> |
| 1 | 1710 | 2.024-39 | 2.625 | 6.125 | EY 6-4-8541X <i>High angle yoke</i> |
| 22065-D, 22065-P, 22065-S, 22065-T | | | | | |
| 1 | SPL140 | 2.024-39 | 2.625 | 4.940 | EY 140-4-491-1 |
| 1 | SPL140 | 2.024-39 | 2.625 | 4.940 | EY 140-4-501-1X |
| 1 | SPL170 | 2.024-39 | 2.625 | 4.938 | EY 170-4-161-1X |
| 1 | SPL170 | 2.024-39 | 2.625 | 6.016 | EY 170-4-181-1X <i>High angle yoke</i> |
| 1 | SPL90 | 2.024-39 | 2.626 | 4.160 | EY 90-4-621-1 |
| 1 | SPL90 | 2.024-39 | 2.626 | 4.160 | EY 90-4-631-1X |
| 1 | 1480 | 2.024-39 | 2.625 | 4.344 | EY 3-4-11051-1 |
| 1 | 1480 | 2.024-39 | 2.625 | 4.344 | EY 3-4-11061-1X |
| 1 | 1550 | 2.024-39 | 2.625 | 4.281 | EY 4-4-5621-1 |
| 1 | 1550 | 2.024-39 | 2.625 | 4.281 | EY 4-4-5691-1X |
| 1 | 1550 | 2.024-39 | 2.625 | 4.266 | EY 4-4-7551-1X |
| 1 | 1610 | 2.024-39 | 2.625 | 4.719 | EY 5-4-7981-1 |
| 1 | 1610 | 2.024-39 | 2.625 | 4.719 | EY 5-4-8131-1X |
| 1 | 1610 | 2.024-39 | 2.625 | 5.312 | EY 5-4-8411X |
| 1 | 1610 | 2.024-39 | 2.625 | 6.000 | EY 5-4-8421X <i>High angle yoke</i> |
| 1 | 1710 | 2.024-39 | 2.625 | 5.250 | EY 6-4-8531X |
| 1 | 1710 | 2.024-39 | 2.625 | 6.125 | EY 6-4-8541X <i>High angle yoke</i> |

| Pos | Series | Spline Data | Hub Dia | * to End of Hub | End Fitting Part Number |
|---|--------|-------------|---------|-----------------|--|
| 22070-D, 22070-P, 22070-S, 22070-T | | | | | |
| 1 | 1810 | 2.143-41 | 2.938 | 3.500 | CF 6.5-1-2941 |
| 1 | 1710 | 2.143-41 | 2.938 | 5.190 | EY 6-4-7311 |
| 1 | 1710 | 2.143-41 | 2.938 | 5.190 | EY 6-4-7311-1 |
| 1 | 1710 | 2.143-41 | 2.938 | 6.125 | EY 6-4-7551 <i>High angle yoke</i> |
| 1 | 1710 | 2.143-41 | 2.938 | 6.125 | EY 6-4-7551-1 <i>High angle yoke</i> |
| 1 | 1710 | 2.143-41 | 2.938 | 5.190 | EY 6-4-9171-1X |
| 1 | 1710 | 2.143-41 | 2.938 | 5.190 | EY 6-4-9171X |
| 1 | 1710 | 2.143-41 | 2.938 | 6.125 | EY 6-4-9181-1X <i>High angle yoke</i> |
| 1 | 1710 | 2.143-41 | 2.938 | 6.125 | EY 6-4-9181X <i>High angle yoke</i> |
| 1 | 1760 | 2.143-41 | 2.938 | 5.250 | EY 6.3-4-1061 |
| 1 | 1760 | 2.143-41 | 2.938 | 5.250 | EY 6.3-4-1061-1 |
| 1 | 1760 | 2.143-41 | 2.938 | 5.250 | EY 6.3-4-1631-1X |
| 1 | 1810 | 2.143-41 | 2.938 | 5.250 | EY 6.5-4-4601-1X |
| 1 | 1810 | 2.143-41 | 2.938 | 5.250 | EY 6.5-4-4601X |
| 1 | SPL100 | 2.143-41 | 2.938 | 4.562 | EY 100-4-1051-1 |
| 1 | SPL100 | 2.143-41 | 2.938 | 4.562 | EY 100-4-1061-1X |
| 1 | SPL140 | 2.143-41 | 2.938 | 5.560 | EY 140-4-421-1 |

*C/L to End of Hub for EY (End Yoke); Flange Face to End of Hub for CF (Companion Flange)

■ Hub machined for speedometer gear



| Pos | Series | Spline Data | Hub Dia | * to End of Hub | End Fitting Part Number |
|---|--------|-------------|---------|-----------------|---|
| 22070-D, 22070-P, 22070-S, 22070-T (Continued) | | | | | |
| 1 | SPL140 | 2.143-41 | 2.938 | 5.560 | EY 140-4-431-1X |
| 1 | SPL170 | 2.143-41 | 2.938 | 5.320 | EY 170-4-351-1 |
| 1 | SPL170 | 2.143-41 | 2.938 | 5.320 | EY 170-4-361-1X |
| 1 | SPL170 | 2.143-41 | 2.938 | 6.680 | EY 170-4-371-1 <i>High angle yoke</i> |
| 1 | SPL170 | 2.143-41 | 2.938 | 6.680 | EY 170-4-381-1X <i>High angle yoke</i> |
| 1 | SPL250 | 2.143-41 | 2.938 | 5.490 | EY 250-4-131-1 |
| 1 | SPL250 | 2.143-41 | 2.938 | 5.490 | EY 250-4-141-1X |
| 1 | SPL90 | 2.143-41 | 2.938 | 4.562 | EY 90-4-471-1 |
| 1 | SPL90 | 2.143-41 | 2.938 | 4.562 | EY 90-4-691-1X |
| 1 | 1550 | 2.143-41 | 2.938 | 4.500 | EY 4-4-5581-1 |
| 1 | 1610 | 2.143-41 | 2.938 | 5.250 | EY 5-4-7271-1 |
| 1 | 1610 | 2.143-41 | 2.938 | 6.000 | EY 5-4-7561 |
| 1 | 1610 | 2.143-41 | 2.938 | 6.000 | EY 5-4-7561-1 |
| 1 | 1610 | 2.143-41 | 2.938 | 5.250 | EY 5-4-9111-1X |
| 1 | 1610 | 2.143-41 | 2.938 | 6.000 | EY 5-4-9121-1X |
| 1 | 1610 | 2.143-41 | 2.938 | 6.000 | EY 5-4-9121X |

| Pos | Series | Spline Data | Hub Dia | * to End of Hub | End Fitting Part Number |
|----------------|--------|-------------|---------|-----------------|---|
| 22080-D | | | | | |
| S | SPL250 | 2.274-44 | 2.938 | 5.328 | EY 250-4-31-1 |
| 1 | SPL100 | 2.281-44 | 2.938 | 4.469 | EY 100-4-1381-1X |
| 1 | SPL140 | 2.274-44 | 2.938 | 5.190 | EY 140-4-1191-1 |
| 1 | SPL140 | 2.274-44 | 2.938 | 5.190 | EY 140-4-1201-1X |
| 1 | SPL140 | 2.143-41 | 2.938 | 5.560 | EY 140-4-421-1 |
| 1 | SPL140 | 2.143-41 | 2.938 | 5.560 | EY 140-4-431-1X |
| 1 | SPL140 | 2.274-44 | 2.938 | 5.190 | EY 140-4-441-1 |
| 1 | SPL140 | 2.274-44 | 2.938 | 5.190 | EY 140-4-451-1X |
| 1 | SPL170 | 2.274-44 | 2.938 | 5.094 | EY 170-4-21-1 |
| 1 | SPL170 | 2.274-44 | 2.938 | 5.094 | EY 170-4-31-1X |
| 1 | SPL170 | 2.143-41 | 2.938 | 5.320 | EY 170-4-351-1 |
| 1 | SPL170 | 2.143-41 | 2.938 | 5.320 | EY 170-4-361-1X |
| 1 | SPL170 | 2.143-41 | 2.938 | 6.680 | EY 170-4-371-1 <i>High angle yoke</i> |
| 1 | SPL170 | 2.143-41 | 2.938 | 6.680 | EY 170-4-381-1X <i>High angle yoke</i> |
| 1 | SPL250 | 2.143-41 | 2.938 | 5.490 | EY 250-4-131-1 |
| 1 | SPL250 | 2.143-41 | 2.938 | 5.490 | EY 250-4-141-1X |
| 1 | SPL250 | 2.274-44 | 2.938 | 5.328 | EY 250-4-41-1X |
| 1 | SPL90 | 2.281-44 | 2.938 | 4.469 | EY 90-4-281-1 |
| 1 | 1610 | 2.274-44 | 2.938 | 4.844 | EY 5-4-8021-1 |
| 1 | 1610 | 2.274-44 | 2.938 | 4.844 | EY 5-4-9101-1X |
| 1 | 1710 | 2.274-44 | 2.938 | 5.031 | EY 6-4-7961 |
| 1 | 1710 | 2.274-44 | 2.938 | 5.031 | EY 6-4-7961-1 |
| 1 | 1710 | 2.274-44 | 2.938 | 5.031 | EY 6-4-9161-1X |
| 1 | 1710 | 2.274-44 | 2.938 | 5.031 | EY 6-4-9161X |
| 1 | 1760 | 2.274-44 | 2.938 | 5.094 | EY 6.3-4-1321 |
| 1 | 1760 | 2.274-44 | 2.938 | 5.094 | EY 6.3-4-1321-1 |
| 1 | 1760 | 2.274-44 | 2.938 | 5.094 | EY 6.3-4-1621-1X |
| 1 | 1760 | 2.274-44 | 2.938 | 5.094 | EY 6.3-4-1621X |
| 1 | 1810 | 2.274-44 | 2.938 | 5.090 | EY 6.5-4-4081-1 |
| 1 | 1810 | 2.274-44 | 2.938 | 5.090 | EY 6.5-4-4591-1X |

| Pos | Series | Spline Data | Hub Dia | * to End of Hub | End Fitting Part Number |
|----------------|--------|-------------|---------|-----------------|---|
| 22080-P | | | | | |
| 1 | SPL170 | 2.143-41 | 2.938 | 5.320 | EY 170-4-361-1X |
| 1 | SPL170 | 2.143-41 | 2.938 | 6.680 | EY 170-4-381-1X <i>High angle yoke</i> |
| 1 | 1810 | 2.143-41 | 2.938 | 5.250 | EY 6.5-4-4601X |

| Pos | Series | Spline Data | Hub Dia | * to End of Hub | End Fitting Part Number |
|----------------|--------|-------------|---------|-----------------|---|
| 22080-S | | | | | |
| S | SPL250 | 2.274-44 | 2.938 | 5.328 | EY 250-4-31-1 |
| 1 | SPL100 | 2.281-44 | 2.938 | 4.469 | EY 100-4-1381-1X |
| 1 | SPL140 | 2.274-44 | 2.938 | 5.190 | EY 140-4-1191-1 |
| 1 | SPL140 | 2.274-44 | 2.938 | 5.190 | EY 140-4-1201-1X |
| 1 | SPL140 | 2.143-41 | 2.938 | 5.560 | EY 140-4-421-1 |
| 1 | SPL140 | 2.143-41 | 2.938 | 5.560 | EY 140-4-431-1X |
| 1 | SPL140 | 2.274-44 | 2.938 | 5.190 | EY 140-4-441-1 |
| 1 | SPL140 | 2.274-44 | 2.938 | 5.190 | EY 140-4-451-1X |
| 1 | SPL170 | 2.274-44 | 2.938 | 5.094 | EY 170-4-21-1 |
| 1 | SPL170 | 2.274-44 | 2.938 | 5.094 | EY 170-4-31-1X |
| 1 | SPL170 | 2.143-41 | 2.938 | 5.320 | EY 170-4-351-1 |
| 1 | SPL170 | 2.143-41 | 2.938 | 5.320 | EY 170-4-361-1X |
| 1 | SPL170 | 2.143-41 | 2.938 | 6.680 | EY 170-4-371-1 <i>High angle yoke</i> |
| 1 | SPL170 | 2.143-41 | 2.938 | 6.680 | EY 170-4-381-1X <i>High angle yoke</i> |
| 1 | SPL250 | 2.143-41 | 2.938 | 5.490 | EY 250-4-131-1 |
| 1 | SPL250 | 2.143-41 | 2.938 | 5.490 | EY 250-4-141-1X |
| 1 | SPL250 | 2.274-44 | 2.938 | 5.328 | EY 250-4-41-1X |
| 1 | SPL90 | 2.281-44 | 2.938 | 4.469 | EY 90-4-281-1 |
| 1 | 1610 | 2.274-44 | 2.938 | 4.844 | EY 5-4-8021-1 |
| 1 | 1610 | 2.274-44 | 2.938 | 4.844 | EY 5-4-9101-1X |
| 1 | 1710 | 2.274-44 | 2.938 | 5.031 | EY 6-4-7961 |
| 1 | 1710 | 2.274-44 | 2.938 | 5.031 | EY 6-4-7961-1 |
| 1 | 1710 | 2.274-44 | 2.938 | 5.031 | EY 6-4-9161-1X |
| 1 | 1710 | 2.274-44 | 2.938 | 5.031 | EY 6-4-9161X |
| 1 | 1760 | 2.274-44 | 2.938 | 5.094 | EY 6.3-4-1321 |
| 1 | 1760 | 2.274-44 | 2.938 | 5.094 | EY 6.3-4-1321-1 |
| 1 | 1760 | 2.274-44 | 2.938 | 5.094 | EY 6.3-4-1621-1X |
| 1 | 1760 | 2.274-44 | 2.938 | 5.094 | EY 6.3-4-1621X |
| 1 | 1810 | 2.274-44 | 2.938 | 5.090 | EY 6.5-4-4081-1 |
| 1 | 1810 | 2.274-44 | 2.938 | 5.090 | EY 6.5-4-4591-1X |

| Pos | Series | Spline Data | Hub Dia | * to End of Hub | End Fitting Part Number |
|--|--------|-------------|---------|-----------------|---|
| 22080-T, 22082-P, 22082-T, 22085-P, 22085-T | | | | | |
| 1 | SPL170 | 2.143-41 | 2.938 | 5.320 | EY 170-4-361-1X |
| 1 | SPL170 | 2.143-41 | 2.938 | 6.680 | EY 170-4-381-1X <i>High angle yoke</i> |
| 1 | 1810 | 2.143-41 | 2.938 | 5.250 | EY 6.5-4-4601X |

| Pos | Series | Spline Data | Hub Dia | * to End of Hub | End Fitting Part Number |
|---------------------|--------|-------------|---------|-----------------|---|
| 22120, 22121 | | | | | |
| 1 | 1610 | 1.962-10 | 2.625 | 4.719 | EY 5-4-5121-1X |
| 1 | 1610 | 1.962-10 | 2.625 | 4.719 | EY 5-4-5121X |
| 1 | 1710 | 1.962-10 | 2.625 | 5.250 | EY 6-4-5151X <i>Chamfered Counterbore</i> |
| 1 | 1760 | 1.964-10 | 2.625 | 5.625 | EY 6.3-4-221X <i>Chamfered Counterbore</i> |

| Pos | Series | Spline Data | Hub Dia | * to End of Hub | End Fitting Part Number |
|--------------|--------|-------------|---------|-----------------|--|
| 22123 | | | | | |
| 1 | 1610 | 1.962-10 | 2.625 | 5.312 | EY 5-4-8901-1X <i>C'bore depth is chamfered</i> |

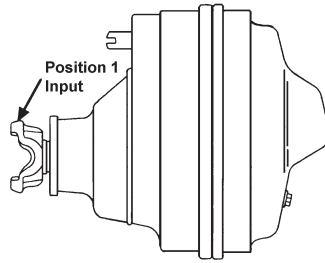
| Pos | Series | Spline Data | Hub Dia | * to End of Hub | End Fitting Part Number |
|--------------|--------|-------------|---------|-----------------|---|
| 22130 | | | | | |
| 1 | SPL170 | 2.024-39 | 2.625 | 4.938 | EY 170-4-161-1X |
| 1 | SPL170 | 2.024-39 | 2.625 | 6.016 | EY 170-4-181-1X <i>High angle yoke</i> |
| 1 | 1550 | 2.024-39 | 2.625 | 4.266 | EY 4-4-7551-1X |
| 1 | 1610 | 2.024-39 | 2.625 | 6.000 | EY 5-4-8421X <i>High angle yoke</i> |
| 1 | 1710 | 2.024-39 | 2.625 | 4.719 | EY 5-4-8131-1X |
| 1 | 1710 | 2.024-39 | 2.625 | 5.312 | EY 5-4-8411X |
| 1 | 1710 | 2.024-39 | 2.625 | 5.250 | EY 6-4-8531X |
| 1 | 1710 | 2.024-39 | 2.625 | 6.125 | EY 6-4-8541X <i>High angle yoke</i> |

*C/L to End of Hub for EY (End Yoke); Flange Face to End of Hub for CF (Companion Flange)

■ Hub machined for speedometer gear



Important: See Safety Information in General Information Section (J300P-GI)



| Pos | Series | Spline Data | Hub Dia | * to End of Hub | End Fitting Part Number |
|---------------------|--------|-------------|---------|-----------------|---|
| 22130-T | | | | | |
| 1 | SPL100 | 2.024-39 | 2.625 | 4.160 | EY 100-4-1071-1 |
| 1 | SPL100 | 2.024-39 | 2.625 | 4.160 | EY 100-4-1081-1X |
| 1 | SPL140 | 2.024-39 | 2.625 | 5.030 | EY 140-4-551-1 <i>Counterbore at hub end.</i> |
| 1 | SPL140 | 2.024-39 | 2.625 | 5.030 | EY 140-4-561-1X <i>Counterbore at hub end.</i> |
| 1 | SPL170 | 2.024-39 | 2.625 | 4.938 | EY 170-4-151-1 |
| 1 | SPL170 | 2.024-39 | 2.625 | 4.938 | EY 170-4-161-1X |
| 1 | SPL170 | 2.024-39 | 2.625 | 6.016 | EY 170-4-181-1X <i>High angle yoke</i> |
| 1 | SPL70 | 2.024-39 | 3.000 | 4.281 | EY 70-4-101-1 |
| 1 | SPL70 | 2.024-39 | 3.000 | 4.281 | EY 70-4-111-1X |
| 1 | 1480 | 2.024-39 | 2.625 | 4.344 | EY 3-4-13051-1 |
| 1 | 1480 | 2.024-39 | 2.625 | 4.344 | EY 3-4-13061-1X |
| 1 | 1550 | 2.024-39 | 2.625 | 4.266 | EY 4-4-6471-1 |
| 1 | 1550 | 2.024-39 | 2.625 | 4.266 | EY 4-4-7551-1X |
| 1 | 1610 | 2.024-39 | 2.625 | 5.312 | EY 5-4-7971 |
| 1 | 1610 | 2.024-39 | 2.625 | 5.312 | EY 5-4-7971-1 |
| 1 | 1610 | 2.024-39 | 2.625 | 6.000 | EY 5-4-7991 <i>High angle yoke</i> |
| 1 | 1610 | 2.024-39 | 2.625 | 5.312 | EY 5-4-8411-1X |
| 1 | 1610 | 2.024-39 | 2.625 | 5.312 | EY 5-4-8411X |
| 1 | 1610 | 2.024-39 | 2.625 | 6.000 | EY 5-4-8421X <i>High angle yoke</i> |
| 1 | 1710 | 2.024-39 | 2.625 | 6.125 | EY 6-4-7981 <i>High angle yoke</i> |
| 1 | 1710 | 2.024-39 | 2.625 | 6.125 | EY 6-4-7981-1 <i>High angle yoke</i> |
| 1 | 1710 | 2.024-39 | 2.625 | 5.250 | EY 6-4-7991 <i>High angle yoke</i> |
| 1 | 1710 | 2.024-39 | 2.625 | 5.250 | EY 6-4-8531-1X |
| 1 | 1710 | 2.024-39 | 2.625 | 5.250 | EY 6-4-8531X |
| 1 | 1710 | 2.024-39 | 2.625 | 6.125 | EY 6-4-8541-1X <i>High angle yoke</i> |
| 1 | 1710 | 2.024-39 | 2.625 | 6.125 | EY 6-4-8541X <i>High angle yoke</i> |
| 22207 | | | | | |
| 1 | SPL100 | 2.143-41 | 2.938 | 4.562 | EY 100-4-1061-1X |
| 1 | SPL90 | 2.143-41 | 2.938 | 4.562 | EY 90-4-471-1 |
| 22220, 22320 | | | | | |
| 1 | 1610 | 1.962-10 | 2.625 | 4.719 | EY 5-4-5121-1X |
| 1 | 1610 | 1.962-10 | 2.625 | 4.719 | EY 5-4-5121X |
| 1 | 1710 | 1.962-10 | 2.625 | 5.250 | EY 6-4-5151X <i>Chamfered Counterbore</i> |
| 1 | 1760 | 1.964-10 | 2.625 | 5.625 | EY 6.3-4-221X <i>Chamfered Counterbore</i> |
| 22430 | | | | | |
| 1 | SPL170 | 2.024-39 | 2.625 | 4.938 | EY 170-4-161-1X |
| 1 | SPL170 | 2.024-39 | 2.625 | 6.016 | EY 170-4-181-1X <i>High angle yoke</i> |
| 1 | 1550 | 2.024-39 | 2.625 | 4.266 | EY 4-4-7551-1X |
| 1 | 1610 | 2.024-39 | 2.625 | 4.719 | EY 5-4-8131-1X |
| 1 | 1610 | 2.024-39 | 2.625 | 5.312 | EY 5-4-8411X |

| Pos | Series | Spline Data | Hub Dia | * to End of Hub | End Fitting Part Number |
|--------------------------|--------|-------------|---------|-----------------|---|
| 22430 (Continued) | | | | | |
| 1 | 1610 | 2.024-39 | 2.625 | 6.000 | EY 5-4-8421X <i>High angle yoke</i> |
| 1 | 1710 | 2.024-39 | 2.625 | 5.250 | EY 6-4-8531X |
| 1 | 1710 | 2.024-39 | 2.625 | 6.125 | EY 6-4-8541X <i>High angle yoke</i> |
| 22500, 22501 | | | | | |
| 1 | 1610 | 2.149-16 | 2.938 | 6.250 | EY 5-4-5161-1X |
| 1 | 1610 | 2.149-16 | 2.938 | 6.250 | EY 5-4-5161X <i>High angle yoke</i> |
| 1 | 1710 | 2.149-16 | 2.938 | 5.500 | EY 6-4-4171-1X |
| 1 | 1710 | 2.149-16 | 2.938 | 5.500 | EY 6-4-4171X |
| 1 | 1760 | 2.149-16 | 2.938 | 5.812 | EY 6.3-4-251-1X |
| 1 | 1760 | 2.149-16 | 2.938 | 5.812 | EY 6.3-4-251X |
| 1 | 1810 | 2.149-16 | 2.938 | 5.812 | EY 6.5-4-2291 |
| 1 | 1810 | 2.149-16 | 2.938 | 5.812 | EY 6.5-4-2291-1 |
| 1 | 1810 | 2.149-16 | 2.938 | 5.812 | EY 6.5-4-2401-1X |
| 1 | 1810 | 2.149-16 | 2.938 | 5.812 | EY 6.5-4-2401X |
| 23060-D, 23060-S | | | | | |
| 1 | SPL100 | 2.281-44 | 2.938 | 4.469 | EY 100-4-1381-1X |
| 1 | SPL140 | 2.274-44 | 2.938 | 5.190 | EY 140-4-1191-1 |
| 1 | SPL140 | 2.274-44 | 2.938 | 5.190 | EY 140-4-1201-1X |
| 1 | SPL140 | 2.143-41 | 2.938 | 5.560 | EY 140-4-421-1 |
| 1 | SPL140 | 2.143-41 | 2.938 | 5.560 | EY 140-4-431-1X |
| 1 | SPL140 | 2.274-44 | 2.938 | 5.190 | EY 140-4-441-1 |
| 1 | SPL140 | 2.274-44 | 2.938 | 5.190 | EY 140-4-451-1X |
| 1 | SPL170 | 2.274-44 | 2.938 | 5.094 | EY 170-4-21-1 |
| 1 | SPL170 | 2.274-44 | 2.938 | 5.094 | EY 170-4-31-1X |
| 1 | SPL170 | 2.143-41 | 2.938 | 5.320 | EY 170-4-351-1 |
| 1 | SPL170 | 2.143-41 | 2.938 | 5.320 | EY 170-4-361-1X |
| 1 | SPL170 | 2.143-41 | 2.938 | 6.680 | EY 170-4-371-1 <i>High angle yoke</i> |
| 1 | SPL170 | 2.143-41 | 2.938 | 6.680 | EY 170-4-381-1X <i>High angle yoke</i> |
| 1 | SPL250 | 2.143-41 | 2.938 | 5.490 | EY 250-4-131-1 |
| 1 | SPL250 | 2.143-41 | 2.938 | 5.490 | EY 250-4-141-1X |
| 1 | SPL250 | 2.274-44 | 2.938 | 5.328 | EY 250-4-41-1X |
| 1 | SPL90 | 2.281-44 | 2.938 | 4.469 | EY 90-4-281-1 |
| 1 | 1610 | 2.274-44 | 2.938 | 4.844 | EY 5-4-8021-1 |
| 1 | 1610 | 2.274-44 | 2.938 | 4.844 | EY 5-4-9101-1X |
| 1 | 1710 | 2.274-44 | 2.938 | 5.031 | EY 6-4-7961 |
| 1 | 1710 | 2.274-44 | 2.938 | 5.031 | EY 6-4-7961-1 |
| 1 | 1710 | 2.274-44 | 2.938 | 5.031 | EY 6-4-9161-1X |
| 1 | 1710 | 2.274-44 | 2.938 | 5.031 | EY 6-4-9161X |
| 1 | 1760 | 2.274-44 | 2.938 | 5.094 | EY 6.3-4-1321 |
| 1 | 1760 | 2.274-44 | 2.938 | 5.094 | EY 6.3-4-1321-1 |
| 1 | 1760 | 2.274-44 | 2.938 | 5.094 | EY 6.3-4-1621-1X |
| 1 | 1760 | 2.274-44 | 2.938 | 5.094 | EY 6.3-4-1621X |
| 1 | 1810 | 2.274-44 | 2.938 | 5.090 | EY 6.5-4-4081-1 |
| 1 | 1810 | 2.274-44 | 2.938 | 5.090 | EY 6.5-4-4591-1X |

*C/L to End of Hub for EY (End Yoke); Flange Face to End of Hub for CF (Companion Flange)

■ Hub machined for speedometer gear



| Pos | Series | Spline Data | Hub Dia | * to End of Hub | End Fitting Part Number |
|----------------|--------|-------------|---------|-----------------|---|
| 23070-D | | | | | |
| 1 | 1810 | 2.143-41 | 2.938 | 3.500 | CF 6.5-1-2941 |
| 1 | 1710 | 2.143-41 | 2.938 | 5.190 | EY 6-4-7311 |
| 1 | 1710 | 2.143-41 | 2.938 | 5.190 | EY 6-4-7311-1 |
| 1 | 1710 | 2.143-41 | 2.938 | 6.125 | EY 6-4-7551 <i>High angle yoke</i> |
| 1 | 1710 | 2.143-41 | 2.938 | 6.125 | EY 6-4-7551-1 <i>High angle yoke</i> |
| 1 | 1760 | 2.143-41 | 2.938 | 5.250 | EY 6.3-4-1061 |
| 1 | 1760 | 2.143-41 | 2.938 | 5.250 | EY 6.3-4-1061-1 |
| 1 | 1810 | 2.143-41 | 2.938 | 5.250 | EY 6.5-4-4601-1X |
| 1 | 1810 | 2.143-41 | 2.938 | 5.250 | EY 6.5-4-4601X |
| 1 | SPL100 | 2.143-41 | 2.938 | 4.562 | EY 100-4-1051-1 |
| 1 | SPL100 | 2.143-41 | 2.938 | 4.562 | EY 100-4-1061-1X |
| 1 | SPL140 | 2.143-41 | 2.938 | 5.560 | EY 140-4-421-1 |
| 1 | SPL140 | 2.143-41 | 2.938 | 5.560 | EY 140-4-431-1X |
| 1 | SPL170 | 2.143-41 | 2.938 | 5.320 | EY 170-4-351-1 |
| 1 | SPL170 | 2.143-41 | 2.938 | 5.320 | EY 170-4-361-1X |
| 1 | SPL170 | 2.143-41 | 2.938 | 6.680 | EY 170-4-371-1 <i>High angle yoke</i> |
| 1 | SPL170 | 2.143-41 | 2.938 | 6.680 | EY 170-4-381-1X <i>High angle yoke</i> |
| 1 | SPL250 | 2.143-41 | 2.938 | 5.490 | EY 250-4-131-1 |
| 1 | SPL250 | 2.143-41 | 2.938 | 5.490 | EY 250-4-141-1X |
| 1 | SPL90 | 2.143-41 | 2.938 | 4.562 | EY 90-4-471-1 |
| 1 | SPL90 | 2.143-41 | 2.938 | 4.562 | EY 90-4-691-1X |
| 1 | 1550 | 2.143-41 | 2.938 | 4.500 | EY 4-4-5581-1 |
| 1 | 1550 | 2.143-41 | 2.938 | 4.500 | EY 4-4-5701-1X |
| 1 | 1610 | 2.143-41 | 2.938 | 5.250 | EY 5-4-7271-1 |
| 1 | 1610 | 2.143-41 | 2.938 | 5.250 | EY 5-4-7311-1X |
| 1 | 1610 | 2.143-41 | 2.938 | 6.000 | EY 5-4-7561 |
| 1 | 1610 | 2.143-41 | 2.938 | 6.000 | EY 5-4-7561-1 |
| 1 | 1710 | 2.143-41 | 2.938 | 5.190 | EY 6-4-7321-1X |
| 1 | 1710 | 2.143-41 | 2.938 | 6.125 | EY 6-4-7561X <i>High angle yoke</i> |
| 1 | 1760 | 2.143-41 | 2.938 | 5.250 | EY 6.3-4-1071-1X |
| 1 | 1810 | 2.143-41 | 2.938 | 5.250 | EY 6.5-4-3691-1X |
| 23070-P | | | | | |
| 1 | 1810 | 2.143-41 | 2.938 | 3.500 | CF 6.5-1-2941 |
| 1 | 1710 | 2.143-41 | 2.938 | 5.190 | EY 6-4-7311 |
| 1 | 1710 | 2.143-41 | 2.938 | 5.190 | EY 6-4-7311-1 |
| 1 | 1710 | 2.143-41 | 2.938 | 6.125 | EY 6-4-7551 <i>High angle yoke</i> |
| 1 | 1710 | 2.143-41 | 2.938 | 6.125 | EY 6-4-7551-1 <i>High angle yoke</i> |
| 1 | 1760 | 2.143-41 | 2.938 | 5.250 | EY 6.3-4-1061 |
| 1 | 1760 | 2.143-41 | 2.938 | 5.250 | EY 6.3-4-1061-1 |
| 1 | SPL100 | 2.143-41 | 2.938 | 4.562 | EY 100-4-1051-1 |
| 1 | SPL100 | 2.143-41 | 2.938 | 4.562 | EY 100-4-1061-1X |
| 1 | SPL140 | 2.143-41 | 2.938 | 5.560 | EY 140-4-421-1 |
| 1 | SPL140 | 2.143-41 | 2.938 | 5.560 | EY 140-4-431-1X |
| 1 | SPL170 | 2.143-41 | 2.938 | 5.320 | EY 170-4-351-1 |
| 1 | SPL170 | 2.143-41 | 2.938 | 5.320 | EY 170-4-361-1X |
| 1 | SPL170 | 2.143-41 | 2.938 | 6.680 | EY 170-4-371-1 <i>High angle yoke</i> |
| 1 | SPL170 | 2.143-41 | 2.938 | 6.680 | EY 170-4-381-1X <i>High angle yoke</i> |
| 1 | SPL250 | 2.143-41 | 2.938 | 5.490 | EY 250-4-131-1 |
| 1 | SPL250 | 2.143-41 | 2.938 | 5.490 | EY 250-4-141-1X |
| 1 | SPL90 | 2.143-41 | 2.938 | 4.562 | EY 90-4-471-1 |
| 1 | SPL90 | 2.143-41 | 2.938 | 4.562 | EY 90-4-691-1X |

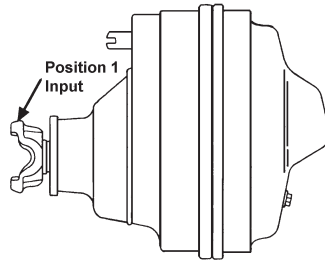
| Pos | Series | Spline Data | Hub Dia | * to End of Hub | End Fitting Part Number |
|----------------------------|--------|-------------|---------|-----------------|---|
| 23070-P (Continued) | | | | | |
| 1 | 1550 | 2.143-41 | 2.938 | 4.500 | EY 4-4-5581-1 |
| 1 | 1550 | 2.143-41 | 2.938 | 4.500 | EY 4-4-5701-1X |
| 1 | 1610 | 2.143-41 | 2.938 | 5.250 | EY 5-4-7271-1 |
| 1 | 1610 | 2.143-41 | 2.938 | 5.250 | EY 5-4-7311-1X |
| 1 | 1610 | 2.143-41 | 2.938 | 6.000 | EY 5-4-7561 |
| 1 | 1610 | 2.143-41 | 2.938 | 6.000 | EY 5-4-7561-1 |
| 1 | 1610 | 2.143-41 | 2.938 | 5.250 | EY 5-4-9111-1X |
| 1 | 1610 | 2.143-41 | 2.938 | 6.000 | EY 5-4-9121X |
| 1 | 1710 | 2.143-41 | 2.938 | 5.190 | EY 6-4-7321-1X |
| 1 | 1710 | 2.143-41 | 2.938 | 6.125 | EY 6-4-7561X <i>High angle yoke</i> |
| 1 | 1710 | 2.143-41 | 2.938 | 6.125 | EY 6-4-9181-1X <i>High angle yoke</i> |
| 1 | 1710 | 2.143-41 | 2.938 | 6.125 | EY 6-4-9181X <i>High angle yoke</i> |
| 1 | 1760 | 2.143-41 | 2.938 | 5.250 | EY 6.3-4-1071-1X |
| 1 | 1810 | 2.143-41 | 2.938 | 5.250 | EY 6.5-4-3691-1X |
| 23070-S, 23070-T | | | | | |
| 1 | 1810 | 2.143-41 | 2.938 | 3.500 | CF 6.5-1-2941 |
| 1 | 1710 | 2.143-41 | 2.938 | 5.190 | EY 6-4-7311 |
| 1 | 1710 | 2.143-41 | 2.938 | 5.190 | EY 6-4-7311-1 |
| 1 | 1710 | 2.143-41 | 2.938 | 6.125 | EY 6-4-7551 <i>High angle yoke</i> |
| 1 | 1710 | 2.143-41 | 2.938 | 6.125 | EY 6-4-7551-1 <i>High angle yoke</i> |
| 1 | 1760 | 2.143-41 | 2.938 | 5.250 | EY 6.3-4-1061 |
| 1 | 1760 | 2.143-41 | 2.938 | 5.250 | EY 6.3-4-1061-1 |
| 1 | 1810 | 2.143-41 | 2.938 | 5.250 | EY 6.5-4-4601-1X |
| 1 | 1810 | 2.143-41 | 2.938 | 5.250 | EY 6.5-4-4601X |
| 1 | SPL100 | 2.143-41 | 2.938 | 4.562 | EY 100-4-1051-1 |
| 1 | SPL100 | 2.143-41 | 2.938 | 4.562 | EY 100-4-1061-1X |
| 1 | SPL140 | 2.143-41 | 2.938 | 5.560 | EY 140-4-421-1 |
| 1 | SPL140 | 2.143-41 | 2.938 | 5.560 | EY 140-4-431-1X |
| 1 | SPL170 | 2.143-41 | 2.938 | 5.320 | EY 170-4-351-1 |
| 1 | SPL170 | 2.143-41 | 2.938 | 5.320 | EY 170-4-361-1X |
| 1 | SPL170 | 2.143-41 | 2.938 | 6.680 | EY 170-4-371-1 <i>High angle yoke</i> |
| 1 | SPL170 | 2.143-41 | 2.938 | 6.680 | EY 170-4-381-1X <i>High angle yoke</i> |
| 1 | SPL250 | 2.143-41 | 2.938 | 5.490 | EY 250-4-131-1 |
| 1 | SPL250 | 2.143-41 | 2.938 | 5.490 | EY 250-4-141-1X |
| 1 | SPL70 | 2.143-41 | 2.938 | 4.555 | EY 70-4-141-1 |
| 1 | SPL70 | 2.143-41 | 2.938 | 4.555 | EY 70-4-151-1X |
| 1 | SPL90 | 2.143-41 | 2.938 | 4.562 | EY 90-4-471-1 |
| 1 | SPL90 | 2.143-41 | 2.938 | 4.562 | EY 90-4-691-1X |
| 1 | 1550 | 2.143-41 | 2.938 | 4.500 | EY 4-4-5581-1 |
| 1 | 1550 | 2.143-41 | 2.938 | 4.500 | EY 4-4-5701-1X |
| 1 | 1610 | 2.143-41 | 2.938 | 5.250 | EY 5-4-7271-1 |
| 1 | 1610 | 2.143-41 | 2.938 | 5.250 | EY 5-4-7311-1X |
| 1 | 1610 | 2.143-41 | 2.938 | 6.000 | EY 5-4-7561 |
| 1 | 1610 | 2.143-41 | 2.938 | 6.000 | EY 5-4-7561-1 |
| 1 | 1610 | 2.143-41 | 2.938 | 5.250 | EY 5-4-9111-1X |
| 1 | 1610 | 2.143-41 | 2.938 | 6.000 | EY 5-4-9121X |
| 1 | 1710 | 2.143-41 | 2.938 | 5.190 | EY 6-4-7321-1X |
| 1 | 1710 | 2.143-41 | 2.938 | 6.125 | EY 6-4-7561X <i>High angle yoke</i> |
| 1 | 1710 | 2.143-41 | 2.938 | 6.125 | EY 6-4-9181-1X <i>High angle yoke</i> |

Continued on next page

*C/L to End of Hub for EY (End Yoke); Flange Face to End of Hub for CF (Companion Flange)

■ Hub machined for speedometer gear





| Pos | Series | Spline Data | Hub Dia | * to End of Hub | End Fitting Part Number |
|-----|--------|-------------|---------|-----------------|-------------------------|
|-----|--------|-------------|---------|-----------------|-------------------------|

| 23070-S, 23070-T (Continued) | | | | | |
|-------------------------------------|------|----------|-------|-------|--|
| 1 | 1710 | 2.143-41 | 2.938 | 6.125 | EY 6-4-9181X <i>High angle yoke</i> |
| 1 | 1760 | 2.143-41 | 2.938 | 5.250 | EY 6.3-4-1071-1X |
| 1 | 1760 | 2.143-41 | 2.938 | 5.250 | EY 6.3-4-1071X |
| 1 | 1810 | 2.143-41 | 2.938 | 5.250 | EY 6.5-4-3681 |
| 1 | 1810 | 2.143-41 | 2.938 | 5.250 | EY 6.5-4-3681-1 |
| 1 | 1810 | 2.143-41 | 2.938 | 5.250 | EY 6.5-4-3691-1X |
| 1 | 1810 | 2.143-41 | 2.938 | 5.250 | EY 6.5-4-3691X |

| 23080-D | | | | | |
|----------------|--------|----------|-------|-------|---|
| 1 | SPL100 | 2.281-44 | 2.938 | 4.469 | EY 100-4-1381-1X |
| 1 | SPL140 | 2.274-44 | 2.938 | 5.190 | EY 140-4-1191-1 |
| 1 | SPL140 | 2.274-44 | 2.938 | 5.190 | EY 140-4-1201-1X |
| 1 | SPL140 | 2.143-41 | 2.938 | 5.560 | EY 140-4-421-1 |
| 1 | SPL140 | 2.143-41 | 2.938 | 5.560 | EY 140-4-431-1X |
| 1 | SPL140 | 2.274-44 | 2.938 | 5.190 | EY 140-4-441-1 |
| 1 | SPL140 | 2.274-44 | 2.938 | 5.190 | EY 140-4-451-1X |
| 1 | SPL170 | 2.274-44 | 2.938 | 5.094 | EY 170-4-21-1 |
| 1 | SPL170 | 2.274-44 | 2.938 | 5.094 | EY 170-4-31-1X |
| 1 | SPL170 | 2.143-41 | 2.938 | 5.320 | EY 170-4-351-1 |
| 1 | SPL170 | 2.143-41 | 2.938 | 5.320 | EY 170-4-361-1X |
| 1 | SPL170 | 2.143-41 | 2.938 | 6.680 | EY 170-4-371-1 <i>High angle yoke</i> |
| 1 | SPL170 | 2.143-41 | 2.938 | 6.680 | EY 170-4-381-1X <i>High angle yoke</i> |
| 1 | SPL250 | 2.143-41 | 2.938 | 5.490 | EY 250-4-131-1 |
| 1 | SPL250 | 2.143-41 | 2.938 | 5.490 | EY 250-4-141-1X |
| 1 | SPL250 | 2.274-44 | 2.938 | 5.328 | EY 250-4-31-1 |
| 1 | SPL250 | 2.274-44 | 2.938 | 5.328 | EY 250-4-41-1X |
| 1 | SPL90 | 2.281-44 | 2.938 | 4.469 | EY 90-4-281-1 |
| 1 | 1610 | 2.274-44 | 2.938 | 4.844 | EY 5-4-8021-1 |
| 1 | 1610 | 2.274-44 | 2.938 | 4.844 | EY 5-4-9101-1X |
| 1 | 1710 | 2.274-44 | 2.938 | 5.031 | EY 6-4-7961 |
| 1 | 1710 | 2.274-44 | 2.938 | 5.031 | EY 6-4-7961-1 |
| 1 | 1710 | 2.274-44 | 2.938 | 5.031 | EY 6-4-9161-1X |
| 1 | 1760 | 2.274-44 | 2.938 | 5.094 | EY 6.3-4-1321 |
| 1 | 1760 | 2.274-44 | 2.938 | 5.094 | EY 6.3-4-1321-1 |
| 1 | 1760 | 2.274-44 | 2.938 | 5.094 | EY 6.3-4-1621-1X |
| 1 | 1760 | 2.274-44 | 2.938 | 5.094 | EY 6.3-4-1621X |
| 1 | 1810 | 2.274-44 | 2.938 | 5.090 | EY 6.5-4-4081-1 |
| 1 | 1810 | 2.274-44 | 2.938 | 5.090 | EY 6.5-4-4591-1X |

| 23080-P | | | | | |
|----------------|------|----------|-------|-------|---|
| 1 | 1810 | 2.143-41 | 2.938 | 3.500 | CF 6.5-1-2941 |
| 1 | 1710 | 2.143-41 | 2.938 | 5.190 | EY 6-4-7311 |
| 1 | 1710 | 2.143-41 | 2.938 | 5.190 | EY 6-4-7311-1 |
| 1 | 1710 | 2.143-41 | 2.938 | 6.125 | EY 6-4-7551 <i>High angle yoke</i> |
| 1 | 1710 | 2.143-41 | 2.938 | 6.125 | EY 6-4-7551-1 <i>High angle yoke</i> |
| 1 | 1710 | 2.143-41 | 2.938 | 5.190 | EY 6-4-9171-1X |

| Pos | Series | Spline Data | Hub Dia | * to End of Hub | End Fitting Part Number |
|-----|--------|-------------|---------|-----------------|-------------------------|
|-----|--------|-------------|---------|-----------------|-------------------------|

| 23080-P (Continued) | | | | | |
|----------------------------|--------|----------|-------|-------|---|
| 1 | 1710 | 2.143-41 | 2.938 | 5.190 | EY 6-4-9171X |
| 1 | 1710 | 2.143-41 | 2.938 | 6.125 | EY 6-4-9181-1X <i>High angle yoke</i> |
| 1 | 1710 | 2.143-41 | 2.938 | 6.125 | EY 6-4-9181X <i>High angle yoke</i> |
| 1 | 1760 | 2.143-41 | 2.938 | 5.250 | EY 6.3-4-1061 |
| 1 | 1760 | 2.143-41 | 2.938 | 5.250 | EY 6.3-4-1061-1 |
| 1 | 1760 | 2.143-41 | 2.938 | 5.250 | EY 6.3-4-1631-1X |
| 1 | 1810 | 2.143-41 | 2.938 | 5.250 | EY 6.5-4-4601-1X |
| 1 | 1810 | 2.143-41 | 2.938 | 5.250 | EY 6.5-4-4601X |
| 1 | SPL100 | 2.143-41 | 2.938 | 4.562 | EY 100-4-1051-1 |
| 1 | SPL100 | 2.143-41 | 2.938 | 4.562 | EY 100-4-1061-1X |
| 1 | SPL140 | 2.143-41 | 2.938 | 5.560 | EY 140-4-421-1 |
| 1 | SPL140 | 2.143-41 | 2.938 | 5.560 | EY 140-4-431-1X |
| 1 | SPL170 | 2.143-41 | 2.938 | 5.320 | EY 170-4-351-1 |
| 1 | SPL170 | 2.143-41 | 2.938 | 5.320 | EY 170-4-361-1X |
| 1 | SPL170 | 2.143-41 | 2.938 | 6.680 | EY 170-4-371-1 <i>High angle yoke</i> |
| 1 | SPL170 | 2.143-41 | 2.938 | 6.680 | EY 170-4-381-1X <i>High angle yoke</i> |
| 1 | SPL250 | 2.143-41 | 2.938 | 5.490 | EY 250-4-131-1 |
| 1 | SPL250 | 2.143-41 | 2.938 | 5.490 | EY 250-4-141-1X |
| 1 | SPL90 | 2.143-41 | 2.938 | 4.562 | EY 90-4-471-1 |
| 1 | SPL90 | 2.143-41 | 2.938 | 4.562 | EY 90-4-691-1X |
| 1 | 1550 | 2.143-41 | 2.938 | 4.500 | EY 4-4-5581-1 |
| 1 | 1610 | 2.143-41 | 2.938 | 5.250 | EY 5-4-7271-1 |
| 1 | 1610 | 2.143-41 | 2.938 | 6.000 | EY 5-4-7561 |
| 1 | 1610 | 2.143-41 | 2.938 | 6.000 | EY 5-4-7561-1 |
| 1 | 1610 | 2.143-41 | 2.938 | 5.250 | EY 5-4-9111-1X |
| 1 | 1610 | 2.143-41 | 2.938 | 6.000 | EY 5-4-9121-1X |
| 1 | 1610 | 2.143-41 | 2.938 | 6.000 | EY 5-4-9121X |

| 23080-S | | | | | |
|----------------|--------|----------|-------|-------|---|
| 1 | SPL100 | 2.281-44 | 2.938 | 4.469 | EY 100-4-1381-1X |
| 1 | SPL140 | 2.274-44 | 2.938 | 5.190 | EY 140-4-1191-1 |
| 1 | SPL140 | 2.274-44 | 2.938 | 5.190 | EY 140-4-1201-1X |
| 1 | SPL140 | 2.143-41 | 2.938 | 5.560 | EY 140-4-421-1 |
| 1 | SPL140 | 2.143-41 | 2.938 | 5.560 | EY 140-4-431-1X |
| 1 | SPL140 | 2.274-44 | 2.938 | 5.190 | EY 140-4-441-1 |
| 1 | SPL140 | 2.274-44 | 2.938 | 5.190 | EY 140-4-451-1X |
| 1 | SPL170 | 2.274-44 | 2.938 | 5.094 | EY 170-4-21-1 |
| 1 | SPL170 | 2.274-44 | 2.938 | 5.094 | EY 170-4-31-1X |
| 1 | SPL170 | 2.143-41 | 2.938 | 5.320 | EY 170-4-351-1 |
| 1 | SPL170 | 2.143-41 | 2.938 | 5.320 | EY 170-4-361-1X |
| 1 | SPL170 | 2.143-41 | 2.938 | 6.680 | EY 170-4-371-1 <i>High angle yoke</i> |
| 1 | SPL170 | 2.143-41 | 2.938 | 6.680 | EY 170-4-381-1X <i>High angle yoke</i> |
| 1 | SPL250 | 2.143-41 | 2.938 | 5.490 | EY 250-4-131-1 |
| 1 | SPL250 | 2.143-41 | 2.938 | 5.490 | EY 250-4-141-1X |

*C/L to End of Hub for EY (End Yoke); Flange Face to End of Hub for CF (Companion Flange)

■ Hub machined for speedometer gear



| Pos | Series | Spline Data | Hub Dia | * to End of Hub | End Fitting Part Number |
|----------------------------|--------|-------------|---------|-----------------|-------------------------|
| 23080-S (Continued) | | | | | |
| 1 | SPL250 | 2.274-44 | 2.938 | 5.328 | EY 250-4-31-1 |
| 1 | SPL250 | 2.274-44 | 2.938 | 5.328 | EY 250-4-41-1X |
| 1 | SPL90 | 2.281-44 | 2.938 | 4.469 | EY 90-4-281-1 |
| 1 | 1610 | 2.274-44 | 2.938 | 4.844 | EY 5-4-8021-1 |
| 1 | 1610 | 2.274-44 | 2.938 | 4.844 | EY 5-4-9101-1X |
| 1 | 1710 | 2.274-44 | 2.938 | 5.031 | EY 6-4-7961 |
| 1 | 1710 | 2.274-44 | 2.938 | 5.031 | EY 6-4-7961-1 |
| 1 | 1710 | 2.274-44 | 2.938 | 5.031 | EY 6-4-9161-1X |
| 1 | 1760 | 2.274-44 | 2.938 | 5.094 | EY 6.3-4-1321 |
| 1 | 1760 | 2.274-44 | 2.938 | 5.094 | EY 6.3-4-1321-1 |
| 1 | 1760 | 2.274-44 | 2.938 | 5.094 | EY 6.3-4-1621-1X |
| 1 | 1760 | 2.274-44 | 2.938 | 5.094 | EY 6.3-4-1621X |
| 1 | 1810 | 2.274-44 | 2.938 | 5.090 | EY 6.5-4-4081-1 |
| 1 | 1810 | 2.274-44 | 2.938 | 5.090 | EY 6.5-4-4591-1X |

| Pos | Series | Spline Data | Hub Dia | * to End of Hub | End Fitting Part Number |
|----------------|--------|-------------|---------|-----------------|---|
| 23080-T | | | | | |
| 1 | 1810 | 2.143-41 | 2.938 | 3.500 | CF 6.5-1-2941 |
| 1 | 1710 | 2.143-41 | 2.938 | 5.190 | EY 6-4-7311 |
| 1 | 1710 | 2.143-41 | 2.938 | 5.190 | EY 6-4-7311-1 |
| 1 | 1710 | 2.143-41 | 2.938 | 6.125 | EY 6-4-7551 <i>High angle yoke</i> |
| 1 | 1710 | 2.143-41 | 2.938 | 6.125 | EY 6-4-7551-1 <i>High angle yoke</i> |
| 1 | 1710 | 2.143-41 | 2.938 | 5.190 | EY 6-4-9171-1X |
| 1 | 1710 | 2.143-41 | 2.938 | 5.190 | EY 6-4-9171X |
| 1 | 1710 | 2.143-41 | 2.938 | 6.125 | EY 6-4-9181-1X <i>High angle yoke</i> |
| 1 | 1710 | 2.143-41 | 2.938 | 6.125 | EY 6-4-9181X <i>High angle yoke</i> |
| 1 | 1760 | 2.143-41 | 2.938 | 5.250 | EY 6.3-4-1061 |
| 1 | 1760 | 2.143-41 | 2.938 | 5.250 | EY 6.3-4-1061-1 |
| 1 | 1760 | 2.143-41 | 2.938 | 5.250 | EY 6.3-4-1631-1X |
| 1 | 1810 | 2.143-41 | 2.938 | 5.250 | EY 6.5-4-4601-1X |
| 1 | 1810 | 2.143-41 | 2.938 | 5.250 | EY 6.5-4-4601X |
| 1 | SPL100 | 2.143-41 | 2.938 | 4.562 | EY 100-4-1051-1 |
| 1 | SPL100 | 2.143-41 | 2.938 | 4.562 | EY 100-4-1061-1X |
| 1 | SPL140 | 2.143-41 | 2.938 | 5.560 | EY 140-4-421-1 |
| 1 | SPL140 | 2.143-41 | 2.938 | 5.560 | EY 140-4-431-1X |
| 1 | SPL170 | 2.143-41 | 2.938 | 5.320 | EY 170-4-351-1 |
| 1 | SPL170 | 2.143-41 | 2.938 | 5.320 | EY 170-4-361-1X |
| 1 | SPL170 | 2.143-41 | 2.938 | 6.680 | EY 170-4-371-1 <i>High angle yoke</i> |
| 1 | SPL170 | 2.143-41 | 2.938 | 6.680 | EY 170-4-381-1X <i>High angle yoke</i> |
| 1 | SPL250 | 2.143-41 | 2.938 | 5.490 | EY 250-4-131-1 |
| 1 | SPL250 | 2.143-41 | 2.938 | 5.490 | EY 250-4-141-1X |
| 1 | SPL90 | 2.143-41 | 2.938 | 4.562 | EY 90-4-471-1 |
| 1 | SPL90 | 2.143-41 | 2.938 | 4.562 | EY 90-4-691-1X |
| 1 | 1550 | 2.143-41 | 2.938 | 4.500 | EY 4-4-5581-1 |
| 1 | 1610 | 2.143-41 | 2.938 | 5.250 | EY 5-4-7271-1 |
| 1 | 1610 | 2.143-41 | 2.938 | 6.000 | EY 5-4-7561 |
| 1 | 1610 | 2.143-41 | 2.938 | 6.000 | EY 5-4-7561-1 |
| 1 | 1610 | 2.143-41 | 2.938 | 5.250 | EY 5-4-9111-1X |
| 1 | 1610 | 2.143-41 | 2.938 | 6.000 | EY 5-4-9121-1X |
| 1 | 1610 | 2.143-41 | 2.938 | 6.000 | EY 5-4-9121X |

| Pos | Series | Spline Data | Hub Dia | * to End of Hub | End Fitting Part Number |
|-------------------------|--------|-------------|---------|-----------------|--|
| 23082-P, 23082-T | | | | | |
| 1 | 1610 | 2.143-41 | 2.938 | 5.250 | EY 5-4-9111-1X |
| 1 | 1610 | 2.143-41 | 2.938 | 6.000 | EY 5-4-9121X |
| 1 | 1710 | 2.143-41 | 2.938 | 6.125 | EY 6-4-9181-1X <i>High angle yoke</i> |
| 1 | 1710 | 2.143-41 | 2.938 | 6.125 | EY 6-4-9181X <i>High angle yoke</i> |

| Pos | Series | Spline Data | Hub Dia | * to End of Hub | End Fitting Part Number |
|----------------|--------|-------------|---------|-----------------|---|
| 23085-D | | | | | |
| 1 | SPL100 | 2.281-44 | 2.938 | 4.469 | EY 100-4-1381-1X |
| 1 | SPL140 | 2.274-44 | 2.938 | 5.190 | EY 140-4-1191-1 |
| 1 | SPL140 | 2.274-44 | 2.938 | 5.190 | EY 140-4-1201-1X |
| 1 | SPL140 | 2.143-41 | 2.938 | 5.560 | EY 140-4-421-1 |
| 1 | SPL140 | 2.143-41 | 2.938 | 5.560 | EY 140-4-431-1X |
| 1 | SPL140 | 2.274-44 | 2.938 | 5.190 | EY 140-4-441-1 |
| 1 | SPL140 | 2.274-44 | 2.938 | 5.190 | EY 140-4-451-1X |
| 1 | SPL170 | 2.274-44 | 2.938 | 5.094 | EY 170-4-21-1 |
| 1 | SPL170 | 2.274-44 | 2.938 | 5.094 | EY 170-4-31-1X |
| 1 | SPL170 | 2.143-41 | 2.938 | 5.320 | EY 170-4-351-1 |
| 1 | SPL170 | 2.143-41 | 2.938 | 5.320 | EY 170-4-361-1X |
| 1 | SPL170 | 2.143-41 | 2.938 | 6.680 | EY 170-4-371-1 <i>High angle yoke</i> |
| 1 | SPL170 | 2.143-41 | 2.938 | 6.680 | EY 170-4-381-1X <i>High angle yoke</i> |
| 1 | SPL250 | 2.143-41 | 2.938 | 5.490 | EY 250-4-131-1 |
| 1 | SPL250 | 2.143-41 | 2.938 | 5.490 | EY 250-4-141-1X |
| 1 | SPL250 | 2.274-44 | 2.938 | 5.328 | EY 250-4-31-1 |
| 1 | SPL250 | 2.274-44 | 2.938 | 5.328 | EY 250-4-41-1X |
| 1 | SPL90 | 2.281-44 | 2.938 | 4.469 | EY 90-4-281-1 |
| 1 | 1610 | 2.274-44 | 2.938 | 4.844 | EY 5-4-8021-1 |
| 1 | 1610 | 2.274-44 | 2.938 | 4.844 | EY 5-4-9101-1X |
| 1 | 1710 | 2.274-44 | 2.938 | 5.031 | EY 6-4-7961 |
| 1 | 1710 | 2.274-44 | 2.938 | 5.031 | EY 6-4-7961-1 |
| 1 | 1710 | 2.274-44 | 2.938 | 5.031 | EY 6-4-9161-1X |
| 1 | 1710 | 2.274-44 | 2.938 | 5.031 | EY 6-4-9161X |
| 1 | 1760 | 2.274-44 | 2.938 | 5.094 | EY 6.3-4-1321 |
| 1 | 1760 | 2.274-44 | 2.938 | 5.094 | EY 6.3-4-1321-1 |
| 1 | 1760 | 2.274-44 | 2.938 | 5.094 | EY 6.3-4-1621-1X |
| 1 | 1760 | 2.274-44 | 2.938 | 5.094 | EY 6.3-4-1621X |
| 1 | 1810 | 2.274-44 | 2.938 | 5.090 | EY 6.5-4-4081-1 |
| 1 | 1810 | 2.274-44 | 2.938 | 5.090 | EY 6.5-4-4591-1X |

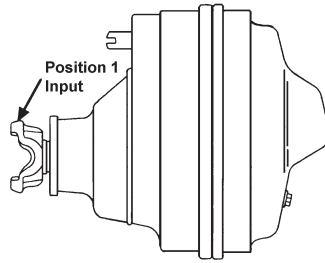
| Pos | Series | Spline Data | Hub Dia | * to End of Hub | End Fitting Part Number |
|----------------|--------|-------------|---------|-----------------|--|
| 23085-P | | | | | |
| 1 | 1810 | 2.143-41 | 2.938 | 3.500 | CF 6.5-1-2941 |
| 1 | 1710 | 2.143-41 | 2.938 | 5.190 | EY 6-4-7311 |
| 1 | 1710 | 2.143-41 | 2.938 | 5.190 | EY 6-4-7311-1 |
| 1 | 1710 | 2.143-41 | 2.938 | 6.125 | EY 6-4-7551 <i>High angle yoke</i> |
| 1 | 1710 | 2.143-41 | 2.938 | 6.125 | EY 6-4-7551-1 <i>High angle yoke</i> |
| 1 | 1710 | 2.143-41 | 2.938 | 5.190 | EY 6-4-9171-1X |
| 1 | 1710 | 2.143-41 | 2.938 | 5.190 | EY 6-4-9171X |
| 1 | 1710 | 2.143-41 | 2.938 | 6.125 | EY 6-4-9181-1X <i>High angle yoke</i> |
| 1 | 1710 | 2.143-41 | 2.938 | 6.125 | EY 6-4-9181X <i>High angle yoke</i> |
| 1 | 1760 | 2.143-41 | 2.938 | 5.250 | EY 6.3-4-1061 |
| 1 | 1760 | 2.143-41 | 2.938 | 5.250 | EY 6.3-4-1061-1 |
| 1 | 1760 | 2.274-44 | 2.938 | 5.094 | EY 6.3-4-1621-1X |
| 1 | 1760 | 2.274-44 | 2.938 | 5.094 | EY 6.3-4-1621X |
| 1 | 1810 | 2.274-44 | 2.938 | 5.090 | EY 6.5-4-4081-1 |
| 1 | 1810 | 2.274-44 | 2.938 | 5.090 | EY 6.5-4-4591-1X |
| 1 | 1810 | 2.143-41 | 2.938 | 5.250 | EY 6.5-4-4601-1X |
| 1 | 1810 | 2.143-41 | 2.938 | 5.250 | EY 6.5-4-4601X |
| 1 | SPL100 | 2.143-41 | 2.938 | 4.562 | EY 100-4-1051-1 |
| 1 | SPL100 | 2.143-41 | 2.938 | 4.562 | EY 100-4-1061-1X |
| 1 | SPL140 | 2.143-41 | 2.938 | 5.560 | EY 140-4-421-1 |
| 1 | SPL140 | 2.143-41 | 2.938 | 5.560 | EY 140-4-431-1X |

Continued on next page

*C/L to End of Hub for EY (End Yoke); Flange Face to End of Hub for CF (Companion Flange)

■ Hub machined for speedometer gear





| Pos | Series | Spline Data | Hub Dia | * to End of Hub | End Fitting Part Number |
|-----|--------|-------------|---------|-----------------|-------------------------|
|-----|--------|-------------|---------|-----------------|-------------------------|

23085-P (Continued)

| | | | | | |
|---|--------|----------|-------|-------|---|
| 1 | SPL170 | 2.143-41 | 2.938 | 5.320 | EY 170-4-351-1 |
| 1 | SPL170 | 2.143-41 | 2.938 | 5.320 | EY 170-4-361-1X |
| 1 | SPL170 | 2.143-41 | 2.938 | 6.680 | EY 170-4-371-1 <i>High angle yoke</i> |
| 1 | SPL170 | 2.143-41 | 2.938 | 6.680 | EY 170-4-381-1X <i>High angle yoke</i> |
| 1 | SPL250 | 2.143-41 | 2.938 | 5.490 | EY 250-4-131-1 |
| 1 | SPL250 | 2.143-41 | 2.938 | 5.490 | EY 250-4-141-1X |
| 1 | SPL90 | 2.143-41 | 2.938 | 4.562 | EY 90-4-471-1 |
| 1 | SPL90 | 2.143-41 | 2.938 | 4.562 | EY 90-4-691-1X |
| 1 | 1550 | 2.143-41 | 2.938 | 4.500 | EY 4-4-5581-1 |
| 1 | 1610 | 2.143-41 | 2.938 | 5.250 | EY 5-4-7271-1 |
| 1 | 1610 | 2.143-41 | 2.938 | 6.000 | EY 5-4-7561 |
| 1 | 1610 | 2.143-41 | 2.938 | 6.000 | EY 5-4-7561-1 |
| 1 | 1610 | 2.143-41 | 2.938 | 5.250 | EY 5-4-9111-1X |
| 1 | 1610 | 2.143-41 | 2.938 | 6.000 | EY 5-4-9121-1X |
| 1 | 1610 | 2.143-41 | 2.938 | 6.000 | EY 5-4-9121X |

23085-S

| | | | | | |
|---|--------|----------|-------|-------|---|
| 1 | SPL140 | 2.274-44 | 2.938 | 5.190 | EY 140-4-1191-1 |
| 1 | SPL140 | 2.274-44 | 2.938 | 5.190 | EY 140-4-1201-1X |
| 1 | SPL140 | 2.143-41 | 2.938 | 5.560 | EY 140-4-421-1 |
| 1 | SPL140 | 2.143-41 | 2.938 | 5.560 | EY 140-4-431-1X |
| 1 | SPL140 | 2.274-44 | 2.938 | 5.190 | EY 140-4-441-1 |
| 1 | SPL140 | 2.274-44 | 2.938 | 5.190 | EY 140-4-451-1X |
| 1 | SPL170 | 2.274-44 | 2.938 | 5.094 | EY 170-4-31-1X |
| 1 | SPL170 | 2.143-41 | 2.938 | 5.320 | EY 170-4-351-1 |
| 1 | SPL170 | 2.143-41 | 2.938 | 5.320 | EY 170-4-361-1X |
| 1 | SPL170 | 2.143-41 | 2.938 | 6.680 | EY 170-4-371-1 <i>High angle yoke</i> |
| 1 | SPL170 | 2.143-41 | 2.938 | 6.680 | EY 170-4-381-1X <i>High angle yoke</i> |
| 1 | SPL250 | 2.143-41 | 2.938 | 5.490 | EY 250-4-141-1X |
| 1 | SPL250 | 2.274-44 | 2.938 | 5.328 | EY 250-4-31-1 |
| 1 | SPL250 | 2.274-44 | 2.938 | 5.328 | EY 250-4-41-1X |
| 1 | SPL90 | 2.281-44 | 2.938 | 4.469 | EY 90-4-281-1 |
| 1 | 1610 | 2.274-44 | 2.938 | 4.844 | EY 5-4-8021-1 |
| 1 | 1610 | 2.274-44 | 2.938 | 4.844 | EY 5-4-9101-1X |
| 1 | 1710 | 2.274-44 | 2.938 | 5.031 | EY 6-4-7961 |
| 1 | 1710 | 2.274-44 | 2.938 | 5.031 | EY 6-4-7961-1 |
| 1 | 1710 | 2.274-44 | 2.938 | 5.031 | EY 6-4-9161-1X |
| 1 | 1710 | 2.274-44 | 2.938 | 5.031 | EY 6-4-9161X |
| 1 | 1760 | 2.274-44 | 2.938 | 5.094 | EY 6.3-4-1321 |
| 1 | 1760 | 2.274-44 | 2.938 | 5.094 | EY 6.3-4-1321-1 |
| 1 | 1760 | 2.274-44 | 2.938 | 5.094 | EY 6.3-4-1621-1X |
| 1 | 1760 | 2.274-44 | 2.938 | 5.094 | EY 6.3-4-1621X |
| 1 | 1810 | 2.274-44 | 2.938 | 5.090 | EY 6.5-4-4081-1 |
| 1 | 1810 | 2.274-44 | 2.938 | 5.090 | EY 6.5-4-4591-1X |

| Pos | Series | Spline Data | Hub Dia | * to End of Hub | End Fitting Part Number |
|-----|--------|-------------|---------|-----------------|-------------------------|
|-----|--------|-------------|---------|-----------------|-------------------------|

23085-T

| | | | | | |
|---|--------|----------|-------|-------|---|
| 1 | 1810 | 2.143-41 | 2.938 | 3.500 | CF 6.5-1-2941 |
| 1 | 1710 | 2.143-41 | 2.938 | 5.190 | EY 6-4-7311 |
| 1 | 1710 | 2.143-41 | 2.938 | 5.190 | EY 6-4-7311-1 |
| 1 | 1710 | 2.143-41 | 2.938 | 6.125 | EY 6-4-7551 <i>High angle yoke</i> |
| 1 | 1710 | 2.143-41 | 2.938 | 6.125 | EY 6-4-7551-1 <i>High angle yoke</i> |
| 1 | 1710 | 2.143-41 | 2.938 | 5.190 | EY 6-4-9171-1X |
| 1 | 1710 | 2.143-41 | 2.938 | 5.190 | EY 6-4-9171X |
| 1 | 1710 | 2.143-41 | 2.938 | 6.125 | EY 6-4-9181-1X <i>High angle yoke</i> |
| 1 | 1710 | 2.143-41 | 2.938 | 6.125 | EY 6-4-9181X <i>High angle yoke</i> |
| 1 | 1760 | 2.143-41 | 2.938 | 5.250 | EY 6.3-4-1061 |
| 1 | 1760 | 2.143-41 | 2.938 | 5.250 | EY 6.3-4-1061-1 |
| 1 | 1760 | 2.274-44 | 2.938 | 5.094 | EY 6.3-4-1621-1X |
| 1 | 1760 | 2.274-44 | 2.938 | 5.094 | EY 6.3-4-1621X |
| 1 | 1810 | 2.274-44 | 2.938 | 5.090 | EY 6.5-4-4081-1 |
| 1 | 1810 | 2.274-44 | 2.938 | 5.090 | EY 6.5-4-4591-1X |
| 1 | 1810 | 2.143-41 | 2.938 | 5.250 | EY 6.5-4-4601-1X |
| 1 | 1810 | 2.143-41 | 2.938 | 5.250 | EY 6.5-4-4601X |
| 1 | SPL100 | 2.143-41 | 2.938 | 4.562 | EY 100-4-1051-1 |
| 1 | SPL100 | 2.143-41 | 2.938 | 4.562 | EY 100-4-1061-1X |
| 1 | SPL140 | 2.143-41 | 2.938 | 5.560 | EY 140-4-421-1 |
| 1 | SPL140 | 2.143-41 | 2.938 | 5.560 | EY 140-4-431-1X |
| 1 | SPL170 | 2.143-41 | 2.938 | 5.320 | EY 170-4-351-1 |
| 1 | SPL170 | 2.143-41 | 2.938 | 5.320 | EY 170-4-361-1X |
| 1 | SPL170 | 2.143-41 | 2.938 | 6.680 | EY 170-4-371-1 <i>High angle yoke</i> |
| 1 | SPL170 | 2.143-41 | 2.938 | 6.680 | EY 170-4-381-1X <i>High angle yoke</i> |
| 1 | SPL250 | 2.143-41 | 2.938 | 5.490 | EY 250-4-131-1 |
| 1 | SPL250 | 2.143-41 | 2.938 | 5.490 | EY 250-4-141-1X |
| 1 | SPL90 | 2.143-41 | 2.938 | 4.562 | EY 90-4-471-1 |
| 1 | SPL90 | 2.143-41 | 2.938 | 4.562 | EY 90-4-691-1X |
| 1 | 1550 | 2.143-41 | 2.938 | 4.500 | EY 4-4-5581-1 |
| 1 | 1610 | 2.143-41 | 2.938 | 5.250 | EY 5-4-7271-1 |
| 1 | 1610 | 2.143-41 | 2.938 | 6.000 | EY 5-4-7561 |
| 1 | 1610 | 2.143-41 | 2.938 | 6.000 | EY 5-4-7561-1 |
| 1 | 1610 | 2.143-41 | 2.938 | 5.250 | EY 5-4-9111-1X |
| 1 | 1610 | 2.143-41 | 2.938 | 6.000 | EY 5-4-9121-1X |
| 1 | 1610 | 2.143-41 | 2.938 | 6.000 | EY 5-4-9121X |

23090-S

| | | | | | |
|---|--------|----------|-------|-------|------------------|
| 1 | SPL100 | 2.281-44 | 2.938 | 4.469 | EY 100-4-1381-1X |
| 1 | SPL140 | 2.274-44 | 2.938 | 5.190 | EY 140-4-1191-1 |
| 1 | SPL140 | 2.274-44 | 2.938 | 5.190 | EY 140-4-441-1 |
| 1 | 1610 | 2.274-44 | 2.938 | 4.844 | EY 5-4-8021-1 |
| 1 | 1610 | 2.274-44 | 2.938 | 4.844 | EY 5-4-9101-1X |
| 1 | 1710 | 2.274-44 | 2.938 | 5.031 | EY 6-4-7961 |
| 1 | 1710 | 2.274-44 | 2.938 | 5.031 | EY 6-4-7961-1 |

*C/L to End of Hub for EY (End Yoke); Flange Face to End of Hub for CF (Companion Flange)

■ Hub machined for speedometer gear



| Pos | Series | Spline Data | Hub Dia | * to End of Hub | End Fitting Part Number |
|----------------------------|--------|-------------|---------|-----------------|-------------------------|
| 23090-S (Continued) | | | | | |
| 1 | 1710 | 2.274-44 | 2.938 | 5.031 | EY 6-4-9161-1X |
| 1 | 1710 | 2.274-44 | 2.938 | 5.031 | EY 6-4-9161X |
| 1 | 1760 | 2.274-44 | 2.938 | 5.094 | EY 6.3-4-1321 |
| 1 | 1760 | 2.274-44 | 2.938 | 5.094 | EY 6.3-4-1321-1 |
| 1 | 1760 | 2.274-44 | 2.938 | 5.094 | EY 6.3-4-1621-1X |
| 1 | 1760 | 2.274-44 | 2.938 | 5.094 | EY 6.3-4-1621X |
| 1 | 1810 | 2.274-44 | 2.938 | 5.090 | EY 6.5-4-4081-1 |
| 1 | 1810 | 2.274-44 | 2.938 | 5.090 | EY 6.5-4-4591-1X |

| | | | | | |
|----------------|------|----------|-------|-------|---------------|
| 23105-A | | | | | |
| 1 | 1760 | 2.274-44 | 2.938 | 5.094 | EY 6.3-4-1321 |

| | | | | | |
|----------------|------|----------|-------|-------|------------------|
| 23105-C | | | | | |
| 1 | 1610 | 2.274-44 | 2.938 | 4.844 | EY 5-4-8031-1X |
| 1 | 1710 | 2.274-44 | 2.938 | 5.031 | EY 6-4-7961 |
| 1 | 1710 | 2.274-44 | 2.938 | 5.031 | EY 6-4-7961-1 |
| 1 | 1710 | 2.274-44 | 2.938 | 5.031 | EY 6-4-7971-1X |
| 1 | 1710 | 2.274-44 | 2.938 | 5.031 | EY 6-4-7971X |
| 1 | 1760 | 2.274-44 | 2.938 | 5.094 | EY 6.3-4-1321 |
| 1 | 1760 | 2.274-44 | 2.938 | 5.094 | EY 6.3-4-1321-1 |
| 1 | 1760 | 2.274-44 | 2.938 | 5.094 | EY 6.3-4-1331-1X |
| 1 | 1760 | 2.274-44 | 2.938 | 5.094 | EY 6.3-4-1331X |
| 1 | 1760 | 2.274-44 | 2.938 | 5.094 | EY 6.3-4-1621-1X |
| 1 | 1760 | 2.274-44 | 2.938 | 5.094 | EY 6.3-4-1621X |
| 1 | 1810 | 2.274-44 | 2.938 | 5.090 | EY 6.5-4-4091-1X |
| 1 | 1810 | 2.274-44 | 2.938 | 5.090 | EY 6.5-4-4591-1X |

| | | | | | |
|-------------------------|--------|----------|-------|-------|------------------------|
| 23105-D, 23105-S | | | | | |
| 1 | SPL100 | 2.281-44 | 2.938 | 4.469 | EY 100-4-1381-1X |
| 1 | SPL140 | 2.274-44 | 2.938 | 5.190 | EY 140-4-1191-1 |
| 1 | SPL140 | 2.274-44 | 2.938 | 5.190 | EY 140-4-1201-1X |
| 1 | SPL140 | 2.143-41 | 2.938 | 5.560 | EY 140-4-421-1 |
| 1 | SPL140 | 2.143-41 | 2.938 | 5.560 | EY 140-4-431-1X |
| 1 | SPL140 | 2.274-44 | 2.938 | 5.190 | EY 140-4-441-1 |
| 1 | SPL140 | 2.274-44 | 2.938 | 5.190 | EY 140-4-451-1X |
| 1 | SPL170 | 2.274-44 | 2.938 | 5.094 | EY 170-4-21-1 |
| 1 | SPL170 | 2.274-44 | 2.938 | 5.094 | EY 170-4-31-1X |
| 1 | SPL170 | 2.143-41 | 2.938 | 5.320 | EY 170-4-351-1 |
| 1 | SPL170 | 2.143-41 | 2.938 | 5.320 | EY 170-4-361-1X |
| 1 | SPL170 | 2.143-41 | 2.938 | 6.680 | EY 170-4-371-1 |
| | | | | | <i>High angle yoke</i> |
| 1 | SPL170 | 2.143-41 | 2.938 | 6.680 | EY 170-4-381-1X |
| | | | | | <i>High angle yoke</i> |
| 1 | SPL250 | 2.143-41 | 2.938 | 5.490 | EY 250-4-131-1 |
| 1 | SPL250 | 2.143-41 | 2.938 | 5.490 | EY 250-4-141-1X |
| 1 | SPL250 | 2.274-44 | 2.938 | 5.328 | EY 250-4-31-1 |
| 1 | SPL250 | 2.274-44 | 2.938 | 5.328 | EY 250-4-41-1X |
| 1 | SPL90 | 2.281-44 | 2.938 | 4.469 | EY 90-4-281-1 |
| 1 | 1610 | 2.274-44 | 2.938 | 4.844 | EY 5-4-8021-1 |
| 1 | 1610 | 2.274-44 | 2.938 | 4.844 | EY 5-4-8031-1X |
| 1 | 1610 | 2.274-44 | 2.938 | 4.844 | EY 5-4-9101-1X |
| 1 | 1710 | 2.274-44 | 2.938 | 5.031 | EY 6-4-7961 |
| 1 | 1710 | 2.274-44 | 2.938 | 5.031 | EY 6-4-7961-1 |
| 1 | 1710 | 2.274-44 | 2.938 | 5.031 | EY 6-4-7971-1X |
| 1 | 1710 | 2.274-44 | 2.938 | 5.031 | EY 6-4-7971X |
| 1 | 1710 | 2.274-44 | 2.938 | 5.031 | EY 6-4-9161-1X |
| 1 | 1710 | 2.274-44 | 2.938 | 5.031 | EY 6-4-9161X |
| 1 | 1760 | 2.274-44 | 2.938 | 5.094 | EY 6.3-4-1321 |
| 1 | 1760 | 2.274-44 | 2.938 | 5.094 | EY 6.3-4-1321-1 |
| 1 | 1760 | 2.274-44 | 2.938 | 5.094 | EY 6.3-4-1331-1X |

| Pos | Series | Spline Data | Hub Dia | * to End of Hub | End Fitting Part Number |
|-------------------------------------|--------|-------------|---------|-----------------|-------------------------|
| 23105-D, 23105-S (Continued) | | | | | |
| 1 | 1760 | 2.274-44 | 2.938 | 5.094 | EY 6.3-4-1331X |
| 1 | 1760 | 2.274-44 | 2.938 | 5.094 | EY 6.3-4-1621-1X |
| 1 | 1760 | 2.274-44 | 2.938 | 5.094 | EY 6.3-4-1621X |
| 1 | 1810 | 2.274-44 | 2.938 | 5.090 | EY 6.5-4-4081-1 |
| 1 | 1810 | 2.274-44 | 2.938 | 5.090 | EY 6.5-4-4091-1X |
| 1 | 1810 | 2.274-44 | 2.938 | 5.090 | EY 6.5-4-4591-1X |

| | | | | | |
|--------------|------|----------|-------|-------|------------------------|
| 23121 | | | | | |
| 1 | 1610 | 2.149-16 | 2.938 | 6.250 | EY 5-4-5161-1X |
| 1 | 1610 | 2.149-16 | 2.938 | 6.250 | EY 5-4-5161X |
| | | | | | <i>High angle yoke</i> |
| 1 | 1710 | 2.149-16 | 2.938 | 5.500 | EY 6-4-4171-1X |
| 1 | 1710 | 2.149-16 | 2.938 | 5.500 | EY 6-4-4171X |
| 1 | 1760 | 2.149-16 | 2.938 | 5.812 | EY 6.3-4-141 |
| 1 | 1760 | 2.149-16 | 2.938 | 5.812 | EY 6.3-4-141-1 |
| 1 | 1760 | 2.149-16 | 2.938 | 5.812 | EY 6.3-4-251-1X |
| 1 | 1760 | 2.149-16 | 2.938 | 5.812 | EY 6.3-4-251X |
| 1 | 1810 | 2.149-16 | 2.938 | 5.812 | EY 6.5-4-2401-1X |
| 1 | 1810 | 2.149-16 | 2.938 | 5.812 | EY 6.5-4-2401X |

| | | | | | |
|--------------|--------|----------|-------|-------|------------------|
| 23207 | | | | | |
| 1 | SPL100 | 2.143-41 | 2.938 | 4.562 | EY 100-4-1061-1X |
| 1 | SPL90 | 2.143-41 | 2.938 | 4.562 | EY 90-4-471-1 |

| | | | | | |
|--------------|------|----------|-------|-------|----------------|
| 23221 | | | | | |
| 1 | 1760 | 2.149-16 | 2.938 | 5.812 | EY 6.3-4-141 |
| 1 | 1760 | 2.149-16 | 2.938 | 5.812 | EY 6.3-4-141-1 |

| | | | | | |
|--------------|------|----------|-------|-------|------------------------|
| 23421 | | | | | |
| 1 | 1610 | 2.149-16 | 2.938 | 6.250 | EY 5-4-5161-1X |
| 1 | 1610 | 2.149-16 | 2.938 | 6.250 | EY 5-4-5161X |
| | | | | | <i>High angle yoke</i> |
| 1 | 1710 | 2.149-16 | 2.938 | 5.500 | EY 6-4-4171-1X |
| 1 | 1710 | 2.149-16 | 2.938 | 5.500 | EY 6-4-4171X |
| 1 | 1760 | 2.149-16 | 2.938 | 5.812 | EY 6.3-4-251-1X |
| 1 | 1760 | 2.149-16 | 2.938 | 5.812 | EY 6.3-4-251X |
| 1 | 1810 | 2.149-16 | 2.938 | 5.812 | EY 6.5-4-2291-1 |
| 1 | 1810 | 2.149-16 | 2.938 | 5.812 | EY 6.5-4-2291-1X |
| 1 | 1810 | 2.149-16 | 2.938 | 5.812 | EY 6.5-4-2401-1X |
| 1 | 1810 | 2.149-16 | 2.938 | 5.812 | EY 6.5-4-2401X |

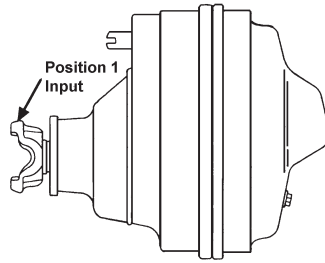
| | | | | | |
|-------------------------|--------|----------|-------|-------|------------------------|
| 26080-A, 26080-D | | | | | |
| 1 | SPL100 | 2.281-44 | 2.938 | 4.469 | EY 100-4-1381-1X |
| 1 | SPL140 | 2.274-44 | 2.938 | 5.190 | EY 140-4-1191-1 |
| 1 | SPL140 | 2.274-44 | 2.938 | 5.190 | EY 140-4-1201-1X |
| 1 | SPL140 | 2.143-41 | 2.938 | 5.560 | EY 140-4-421-1 |
| 1 | SPL140 | 2.143-41 | 2.938 | 5.560 | EY 140-4-431-1X |
| 1 | SPL140 | 2.274-44 | 2.938 | 5.190 | EY 140-4-441-1 |
| 1 | SPL140 | 2.274-44 | 2.938 | 5.190 | EY 140-4-451-1X |
| 1 | SPL170 | 2.274-44 | 2.938 | 5.094 | EY 170-4-21-1 |
| 1 | SPL170 | 2.274-44 | 2.938 | 5.094 | EY 170-4-31-1X |
| 1 | SPL170 | 2.143-41 | 2.938 | 5.320 | EY 170-4-351-1 |
| 1 | SPL170 | 2.143-41 | 2.938 | 5.320 | EY 170-4-361-1X |
| 1 | SPL170 | 2.143-41 | 2.938 | 6.680 | EY 170-4-371-1 |
| | | | | | <i>High angle yoke</i> |
| 1 | SPL170 | 2.143-41 | 2.938 | 6.680 | EY 170-4-381-1X |
| | | | | | <i>High angle yoke</i> |
| 1 | SPL250 | 2.143-41 | 2.938 | 5.490 | EY 250-4-131-1 |
| 1 | SPL250 | 2.143-41 | 2.938 | 5.490 | EY 250-4-141-1X |
| 1 | SPL250 | 2.274-44 | 2.938 | 5.328 | EY 250-4-31-1 |
| 1 | SPL250 | 2.274-44 | 2.938 | 5.328 | EY 250-4-41-1X |

Continued on next page

*C/L to End of Hub for EY (End Yoke); Flange Face to End of Hub for CF (Companion Flange)

■ Hub machined for speedometer gear





| Pos | Series | Spline Data | Hub Dia | * to End of Hub | End Fitting Part Number |
|-----|--------|-------------|---------|-----------------|-------------------------|
|-----|--------|-------------|---------|-----------------|-------------------------|

26080-A, 26080-D (Continued)

| | | | | | |
|---|-------|----------|-------|-------|------------------|
| 1 | SPL90 | 2.281-44 | 2.938 | 4.469 | EY 90-4-281-1 |
| 1 | 1610 | 2.274-44 | 2.938 | 4.844 | EY 5-4-8021-1 |
| 1 | 1610 | 2.274-44 | 2.938 | 4.844 | EY 5-4-9101-1X |
| 1 | 1710 | 2.274-44 | 2.938 | 5.031 | EY 6-4-7961 |
| 1 | 1710 | 2.274-44 | 2.938 | 5.031 | EY 6-4-9161-1X |
| 1 | 1710 | 2.274-44 | 2.938 | 5.031 | EY 6-4-9161X |
| 1 | 1760 | 2.274-44 | 2.938 | 5.094 | EY 6.3-4-1321 |
| 1 | 1760 | 2.274-44 | 2.938 | 5.094 | EY 6.3-4-1321-1 |
| 1 | 1760 | 2.274-44 | 2.938 | 5.094 | EY 6.3-4-1621-1X |
| 1 | 1760 | 2.274-44 | 2.938 | 5.094 | EY 6.3-4-1621X |
| 1 | 1810 | 2.274-44 | 2.938 | 5.090 | EY 6.5-4-4081-1 |

26080-P

| | | | | | |
|---|--------|----------|-------|-------|------------------------|
| 1 | 1810 | 2.143-41 | 2.938 | 3.500 | CF 6.5-1-2941 |
| 1 | 1710 | 2.143-41 | 2.938 | 5.190 | EY 6-4-7311 |
| 1 | 1710 | 2.143-41 | 2.938 | 5.190 | EY 6-4-7311-1 |
| 1 | 1710 | 2.143-41 | 2.938 | 6.125 | EY 6-4-7551 |
| | | | | | <i>High angle yoke</i> |
| 1 | 1710 | 2.143-41 | 2.938 | 6.125 | EY 6-4-7551-1 |
| | | | | | <i>High angle yoke</i> |
| 1 | 1710 | 2.143-41 | 2.938 | 5.190 | EY 6-4-9171-1X |
| 1 | 1710 | 2.143-41 | 2.938 | 5.190 | EY 6-4-9171X |
| 1 | 1710 | 2.143-41 | 2.938 | 6.125 | EY 6-4-9181-1X |
| | | | | | <i>High angle yoke</i> |
| 1 | 1710 | 2.143-41 | 2.938 | 6.125 | EY 6-4-9181X |
| | | | | | <i>High angle yoke</i> |
| 1 | 1760 | 2.143-41 | 2.938 | 5.250 | EY 6.3-4-1061 |
| 1 | 1760 | 2.143-41 | 2.938 | 5.250 | EY 6.3-4-1061-1 |
| 1 | 1760 | 2.143-41 | 2.938 | 5.250 | EY 6.3-4-1631-1X |
| 1 | 1810 | 2.143-41 | 2.938 | 5.250 | EY 6.5-4-4601-1X |
| 1 | 1810 | 2.143-41 | 2.938 | 5.250 | EY 6.5-4-4601X |
| 1 | SPL100 | 2.143-41 | 2.938 | 4.562 | EY 100-4-1051-1 |
| 1 | SPL100 | 2.143-41 | 2.938 | 4.562 | EY 100-4-1061-1X |
| 1 | SPL140 | 2.143-41 | 2.938 | 5.560 | EY 140-4-421-1 |
| 1 | SPL140 | 2.143-41 | 2.938 | 5.560 | EY 140-4-431-1X |
| 1 | SPL170 | 2.143-41 | 2.938 | 5.320 | EY 170-4-351-1 |
| 1 | SPL170 | 2.143-41 | 2.938 | 5.320 | EY 170-4-361-1X |
| 1 | SPL170 | 2.143-41 | 2.938 | 6.680 | EY 170-4-371-1 |
| | | | | | <i>High angle yoke</i> |
| 1 | SPL170 | 2.143-41 | 2.938 | 6.680 | EY 170-4-381-1X |
| | | | | | <i>High angle yoke</i> |
| 1 | SPL250 | 2.143-41 | 2.938 | 5.490 | EY 250-4-131-1 |
| 1 | SPL250 | 2.143-41 | 2.938 | 5.490 | EY 250-4-141-1X |
| 1 | SPL90 | 2.143-41 | 2.938 | 4.562 | EY 90-4-471-1 |
| 1 | SPL90 | 2.143-41 | 2.938 | 4.562 | EY 90-4-691-1X |
| 1 | 1550 | 2.143-41 | 2.938 | 4.500 | EY 4-4-5581-1 |
| 1 | 1610 | 2.143-41 | 2.938 | 5.250 | EY 5-4-7271-1 |
| 1 | 1610 | 2.143-41 | 2.938 | 6.000 | EY 5-4-7561 |
| 1 | 1610 | 2.143-41 | 2.938 | 6.000 | EY 5-4-7561-1 |
| 1 | 1610 | 2.143-41 | 2.938 | 5.250 | EY 5-4-9111-1X |
| 1 | 1610 | 2.143-41 | 2.938 | 6.000 | EY 5-4-9121-1X |
| 1 | 1610 | 2.143-41 | 2.938 | 6.000 | EY 5-4-9121X |

| Pos | Series | Spline Data | Hub Dia | * to End of Hub | End Fitting Part Number |
|-----|--------|-------------|---------|-----------------|-------------------------|
|-----|--------|-------------|---------|-----------------|-------------------------|

26080-S

| | | | | | |
|---|--------|----------|-------|-------|------------------------|
| 1 | SPL100 | 2.281-44 | 2.938 | 4.469 | EY 100-4-1381-1X |
| 1 | SPL140 | 2.274-44 | 2.938 | 5.190 | EY 140-4-1191-1 |
| 1 | SPL140 | 2.274-44 | 2.938 | 5.190 | EY 140-4-1201-1X |
| 1 | SPL140 | 2.143-41 | 2.938 | 5.560 | EY 140-4-421-1 |
| 1 | SPL140 | 2.143-41 | 2.938 | 5.560 | EY 140-4-431-1X |
| 1 | SPL140 | 2.274-44 | 2.938 | 5.190 | EY 140-4-441-1 |
| 1 | SPL140 | 2.274-44 | 2.938 | 5.190 | EY 140-4-451-1X |
| 1 | SPL170 | 2.274-44 | 2.938 | 5.094 | EY 170-4-21-1 |
| 1 | SPL170 | 2.274-44 | 2.938 | 5.094 | EY 170-4-31-1X |
| 1 | SPL170 | 2.143-41 | 2.938 | 5.320 | EY 170-4-351-1 |
| 1 | SPL170 | 2.143-41 | 2.938 | 5.320 | EY 170-4-361-1X |
| 1 | SPL170 | 2.143-41 | 2.938 | 6.680 | EY 170-4-371-1 |
| | | | | | <i>High angle yoke</i> |
| 1 | SPL170 | 2.143-41 | 2.938 | 6.680 | EY 170-4-381-1X |
| | | | | | <i>High angle yoke</i> |
| 1 | SPL250 | 2.143-41 | 2.938 | 5.490 | EY 250-4-131-1 |
| 1 | SPL250 | 2.143-41 | 2.938 | 5.490 | EY 250-4-141-1X |
| 1 | SPL250 | 2.274-44 | 2.938 | 5.328 | EY 250-4-31-1 |
| 1 | SPL250 | 2.274-44 | 2.938 | 5.328 | EY 250-4-41-1X |
| 1 | SPL90 | 2.281-44 | 2.938 | 4.469 | EY 90-4-281-1 |
| 1 | 1610 | 2.274-44 | 2.938 | 4.844 | EY 5-4-8021-1 |
| 1 | 1610 | 2.274-44 | 2.938 | 4.844 | EY 5-4-9101-1X |
| 1 | 1710 | 2.274-44 | 2.938 | 5.031 | EY 6-4-7961 |
| 1 | 1710 | 2.274-44 | 2.938 | 5.031 | EY 6-4-7961-1 |
| 1 | 1710 | 2.274-44 | 2.938 | 5.031 | EY 6-4-9161-1X |
| 1 | 1710 | 2.274-44 | 2.938 | 5.031 | EY 6-4-9161X |
| 1 | 1760 | 2.274-44 | 2.938 | 5.094 | EY 6.3-4-1321 |
| 1 | 1760 | 2.274-44 | 2.938 | 5.094 | EY 6.3-4-1621-1X |
| 1 | 1760 | 2.274-44 | 2.938 | 5.094 | EY 6.3-4-1621X |
| 1 | 1810 | 2.274-44 | 2.938 | 5.090 | EY 6.5-4-4081-1 |

26080-T

| | | | | | |
|---|------|----------|-------|-------|------------------------|
| 1 | 1810 | 2.143-41 | 2.938 | 3.500 | CF 6.5-1-2941 |
| 1 | 1710 | 2.143-41 | 2.938 | 5.190 | EY 6-4-7311 |
| 1 | 1710 | 2.143-41 | 2.938 | 5.190 | EY 6-4-7311-1 |
| 1 | 1710 | 2.143-41 | 2.938 | 6.125 | EY 6-4-7551 |
| | | | | | <i>High angle yoke</i> |
| 1 | 1710 | 2.143-41 | 2.938 | 6.125 | EY 6-4-7551-1 |
| | | | | | <i>High angle yoke</i> |
| 1 | 1710 | 2.143-41 | 2.938 | 5.190 | EY 6-4-9171-1X |
| 1 | 1710 | 2.143-41 | 2.938 | 5.190 | EY 6-4-9171X |
| 1 | 1710 | 2.143-41 | 2.938 | 6.125 | EY 6-4-9181-1X |
| | | | | | <i>High angle yoke</i> |
| 1 | 1710 | 2.143-41 | 2.938 | 6.125 | EY 6-4-9181X |
| | | | | | <i>High angle yoke</i> |
| 1 | 1760 | 2.143-41 | 2.938 | 5.250 | EY 6.3-4-1061 |
| 1 | 1760 | 2.143-41 | 2.938 | 5.250 | EY 6.3-4-1061-1 |
| 1 | 1760 | 2.143-41 | 2.938 | 5.250 | EY 6.3-4-1631-1X |
| 1 | 1810 | 2.143-41 | 2.938 | 5.250 | EY 6.5-4-4601-1X |
| 1 | 1810 | 2.143-41 | 2.938 | 5.250 | EY 6.5-4-4601X |

*C/L to End of Hub for EY (End Yoke); Flange Face to End of Hub for CF (Companion Flange)

■ Hub machined for speedometer gear



| Pos | Series | Spline Data | Hub Dia | * to End of Hub | End Fitting Part Number |
|----------------------------|--------|-------------|---------|-----------------|-------------------------|
| 26080-T (Continued) | | | | | |
| 1 | SPL100 | 2.143-41 | 2.938 | 4.562 | EY 100-4-1051-1 |
| 1 | SPL100 | 2.143-41 | 2.938 | 4.562 | EY 100-4-1061-1X |
| 1 | SPL140 | 2.143-41 | 2.938 | 5.560 | EY 140-4-421-1 |
| 1 | SPL140 | 2.143-41 | 2.938 | 5.560 | EY 140-4-431-1X |
| 1 | SPL170 | 2.143-41 | 2.938 | 5.320 | EY 170-4-351-1 |
| 1 | SPL170 | 2.143-41 | 2.938 | 5.320 | EY 170-4-361-1X |
| 1 | SPL170 | 2.143-41 | 2.938 | 6.680 | EY 170-4-371-1 |
| | | | | | <i>High angle yoke</i> |
| 1 | SPL170 | 2.143-41 | 2.938 | 6.680 | EY 170-4-381-1X |
| | | | | | <i>High angle yoke</i> |
| 1 | SPL250 | 2.143-41 | 2.938 | 5.490 | EY 250-4-131-1 |
| 1 | SPL250 | 2.143-41 | 2.938 | 5.490 | EY 250-4-141-1X |
| 1 | SPL90 | 2.143-41 | 2.938 | 4.562 | EY 90-4-471-1 |
| 1 | SPL90 | 2.143-41 | 2.938 | 4.562 | EY 90-4-691-1X |
| 1 | 1550 | 2.143-41 | 2.938 | 4.500 | EY 4-4-5581-1 |
| 1 | 1610 | 2.143-41 | 2.938 | 5.250 | EY 5-4-7271-1 |
| 1 | 1610 | 2.143-41 | 2.938 | 6.000 | EY 5-4-7561 |
| 1 | 1610 | 2.143-41 | 2.938 | 6.000 | EY 5-4-7561-1 |
| 1 | 1610 | 2.143-41 | 2.938 | 5.250 | EY 5-4-9111-1X |
| 1 | 1610 | 2.143-41 | 2.938 | 6.000 | EY 5-4-9121-1X |
| 1 | 1610 | 2.143-41 | 2.938 | 6.000 | EY 5-4-9121X |
| 26085 | | | | | |
| 1 | 1550 | 2.143-41 | 2.938 | 4.500 | EY 4-4-5701-1X |
| 1 | 1610 | 2.143-41 | 2.938 | 5.250 | EY 5-4-7311-1X |
| 1 | 1710 | 2.143-41 | 2.938 | 5.190 | EY 6-4-7321-1X |
| 1 | 1710 | 2.143-41 | 2.938 | 6.125 | EY 6-4-7561X |
| | | | | | <i>High angle yoke</i> |
| 1 | 1760 | 2.143-41 | 2.938 | 5.250 | EY 6.3-4-1071-1X |
| 1 | 1810 | 2.143-41 | 2.938 | 5.250 | EY 6.5-4-3691-1X |
| 26085-A | | | | | |
| 1 | 1710 | 2.274-44 | 2.938 | 5.031 | EY 6-4-7961 |
| 1 | 1710 | 2.274-44 | 2.938 | 5.031 | EY 6-4-7961-1 |
| 1 | 1810 | 2.274-44 | 2.938 | 5.090 | EY 6.5-4-4591-1X |
| 26085-D | | | | | |
| 1 | SPL100 | 2.281-44 | 2.938 | 4.469 | EY 100-4-1381-1X |
| 1 | SPL140 | 2.274-44 | 2.938 | 5.190 | EY 140-4-1191-1 |
| 1 | SPL140 | 2.274-44 | 2.938 | 5.190 | EY 140-4-1201-1X |
| 1 | SPL140 | 2.143-41 | 2.938 | 5.560 | EY 140-4-431-1X |
| 1 | SPL140 | 2.274-44 | 2.938 | 5.190 | EY 140-4-441-1 |
| 1 | SPL140 | 2.274-44 | 2.938 | 5.190 | EY 140-4-451-1X |
| 1 | SPL170 | 2.274-44 | 2.938 | 5.094 | EY 170-4-21-1 |
| 1 | SPL170 | 2.274-44 | 2.938 | 5.094 | EY 170-4-31-1X |
| 1 | SPL170 | 2.143-41 | 2.938 | 5.320 | EY 170-4-351-1 |
| 1 | SPL170 | 2.143-41 | 2.938 | 5.320 | EY 170-4-361-1X |
| 1 | SPL170 | 2.143-41 | 2.938 | 6.680 | EY 170-4-371-1 |
| | | | | | <i>High angle yoke</i> |
| 1 | SPL170 | 2.143-41 | 2.938 | 6.680 | EY 170-4-381-1X |
| | | | | | <i>High angle yoke</i> |
| 1 | SPL250 | 2.143-41 | 2.938 | 5.490 | EY 250-4-141-1X |
| 1 | SPL250 | 2.274-44 | 2.938 | 5.328 | EY 250-4-31-1 |
| 1 | SPL250 | 2.274-44 | 2.938 | 5.328 | EY 250-4-41-1X |
| 1 | SPL90 | 2.281-44 | 2.938 | 4.469 | EY 90-4-281-1 |
| 1 | 1610 | 2.274-44 | 2.938 | 4.844 | EY 5-4-8021-1 |
| 1 | 1610 | 2.274-44 | 2.938 | 4.844 | EY 5-4-9101-1X |
| 1 | 1710 | 2.274-44 | 2.938 | 5.031 | EY 6-4-7961 |
| 1 | 1710 | 2.274-44 | 2.938 | 5.031 | EY 6-4-7961-1 |
| 1 | 1710 | 2.274-44 | 2.938 | 5.031 | EY 6-4-9161-1X |
| 1 | 1710 | 2.274-44 | 2.938 | 5.031 | EY 6-4-9161X |

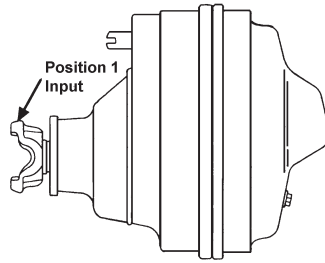
| Pos | Series | Spline Data | Hub Dia | * to End of Hub | End Fitting Part Number |
|----------------------------|--------|-------------|---------|-----------------|-------------------------|
| 26085-D (Continued) | | | | | |
| 1 | 1760 | 2.274-44 | 2.938 | 5.094 | EY 6.3-4-1321 |
| 1 | 1760 | 2.274-44 | 2.938 | 5.094 | EY 6.3-4-1321-1 |
| 1 | 1760 | 2.274-44 | 2.938 | 5.094 | EY 6.3-4-1621-1X |
| 1 | 1760 | 2.274-44 | 2.938 | 5.094 | EY 6.3-4-1621X |
| 1 | 1810 | 2.274-44 | 2.938 | 5.090 | EY 6.5-4-4081-1 |
| 1 | 1810 | 2.274-44 | 2.938 | 5.090 | EY 6.5-4-4591-1X |
| 26085-P | | | | | |
| 1 | 1810 | 2.143-41 | 2.938 | 3.500 | CF 6.5-1-2941 |
| 1 | 1710 | 2.143-41 | 2.938 | 5.190 | EY 6-4-7311 |
| 1 | 1710 | 2.143-41 | 2.938 | 5.190 | EY 6-4-7311-1 |
| 1 | 1710 | 2.143-41 | 2.938 | 6.125 | EY 6-4-7551 |
| | | | | | <i>High angle yoke</i> |
| 1 | 1710 | 2.143-41 | 2.938 | 6.125 | EY 6-4-7551-1 |
| | | | | | <i>High angle yoke</i> |
| 1 | 1710 | 2.143-41 | 2.938 | 5.190 | EY 6-4-9171-1X |
| 1 | 1710 | 2.143-41 | 2.938 | 5.190 | EY 6-4-9171X |
| 1 | 1710 | 2.143-41 | 2.938 | 6.125 | EY 6-4-9181-1X |
| | | | | | <i>High angle yoke</i> |
| 1 | 1710 | 2.143-41 | 2.938 | 6.125 | EY 6-4-9181X |
| | | | | | <i>High angle yoke</i> |
| 1 | 1760 | 2.143-41 | 2.938 | 5.250 | EY 6.3-4-1061 |
| 1 | 1760 | 2.143-41 | 2.938 | 5.250 | EY 6.3-4-1061-1 |
| 1 | 1760 | 2.143-41 | 2.938 | 5.250 | EY 6.3-4-1631-1X |
| 1 | 1810 | 2.143-41 | 2.938 | 5.250 | EY 6.5-4-4601-1X |
| 1 | 1810 | 2.143-41 | 2.938 | 5.250 | EY 6.5-4-4601X |
| 1 | SPL100 | 2.143-41 | 2.938 | 4.562 | EY 100-4-1051-1 |
| 1 | SPL100 | 2.143-41 | 2.938 | 4.562 | EY 100-4-1061-1X |
| 1 | SPL140 | 2.143-41 | 2.938 | 5.560 | EY 140-4-421-1 |
| 1 | SPL140 | 2.143-41 | 2.938 | 5.560 | EY 140-4-431-1X |
| 1 | SPL170 | 2.143-41 | 2.938 | 5.320 | EY 170-4-351-1 |
| 1 | SPL170 | 2.143-41 | 2.938 | 5.320 | EY 170-4-361-1X |
| 1 | SPL170 | 2.143-41 | 2.938 | 6.680 | EY 170-4-371-1 |
| | | | | | <i>High angle yoke</i> |
| 1 | SPL170 | 2.143-41 | 2.938 | 6.680 | EY 170-4-381-1X |
| | | | | | <i>High angle yoke</i> |
| 1 | SPL250 | 2.143-41 | 2.938 | 5.490 | EY 250-4-131-1 |
| 1 | SPL250 | 2.143-41 | 2.938 | 5.490 | EY 250-4-141-1X |
| 1 | SPL90 | 2.143-41 | 2.938 | 4.562 | EY 90-4-471-1 |
| 1 | SPL90 | 2.143-41 | 2.938 | 4.562 | EY 90-4-691-1X |
| 1 | 1550 | 2.143-41 | 2.938 | 4.500 | EY 4-4-5581-1 |
| 1 | 1610 | 2.143-41 | 2.938 | 5.250 | EY 5-4-7271-1 |
| 1 | 1610 | 2.143-41 | 2.938 | 6.000 | EY 5-4-7561 |
| 1 | 1610 | 2.143-41 | 2.938 | 6.000 | EY 5-4-7561-1 |
| 1 | 1610 | 2.143-41 | 2.938 | 5.250 | EY 5-4-9111-1X |
| 1 | 1610 | 2.143-41 | 2.938 | 6.000 | EY 5-4-9121-1X |
| 1 | 1610 | 2.143-41 | 2.938 | 6.000 | EY 5-4-9121X |
| 26085-S | | | | | |
| 1 | SPL100 | 2.281-44 | 2.938 | 4.469 | EY 100-4-1381-1X |
| 1 | SPL140 | 2.274-44 | 2.938 | 5.190 | EY 140-4-1191-1 |
| 1 | SPL140 | 2.274-44 | 2.938 | 5.190 | EY 140-4-1201-1X |
| 1 | SPL140 | 2.143-41 | 2.938 | 5.560 | EY 140-4-431-1X |
| 1 | SPL140 | 2.274-44 | 2.938 | 5.190 | EY 140-4-441-1 |
| 1 | SPL140 | 2.274-44 | 2.938 | 5.190 | EY 140-4-451-1X |
| 1 | SPL170 | 2.274-44 | 2.938 | 5.094 | EY 170-4-31-1X |
| 1 | SPL170 | 2.143-41 | 2.938 | 5.320 | EY 170-4-351-1 |
| 1 | SPL170 | 2.143-41 | 2.938 | 5.320 | EY 170-4-361-1X |

Continued on next page

*C/L to End of Hub for EY (End Yoke); Flange Face to End of Hub for CF (Companion Flange)

■ Hub machined for speedometer gear





| Pos | Series | Spline Data | Hub Dia | * to End of Hub | End Fitting Part Number |
|----------------------------|--------|-------------|---------|-----------------|---|
| 26085-S (Continued) | | | | | |
| 1 | SPL170 | 2.143-41 | 2.938 | 6.680 | EY 170-4-371-1 <i>High angle yoke</i> |
| 1 | SPL170 | 2.143-41 | 2.938 | 6.680 | EY 170-4-381-1X <i>High angle yoke</i> |
| 1 | SPL250 | 2.143-41 | 2.938 | 5.490 | EY 250-4-131-1 |
| 1 | SPL250 | 2.143-41 | 2.938 | 5.490 | EY 250-4-141-1X |
| 1 | SPL250 | 2.274-44 | 2.938 | 5.328 | EY 250-4-31-1 |
| 1 | SPL250 | 2.274-44 | 2.938 | 5.328 | EY 250-4-41-1X |
| 1 | SPL90 | 2.281-44 | 2.938 | 4.469 | EY 90-4-281-1 |
| 1 | 1610 | 2.274-44 | 2.938 | 4.844 | EY 5-4-8021-1 |
| 1 | 1610 | 2.274-44 | 2.938 | 4.844 | EY 5-4-9101-1X |
| 1 | 1710 | 2.274-44 | 2.938 | 5.031 | EY 6-4-7961 |
| 1 | 1710 | 2.274-44 | 2.938 | 5.031 | EY 6-4-7961-1 |
| 1 | 1710 | 2.274-44 | 2.938 | 5.031 | EY 6-4-9161-1X |
| 1 | 1710 | 2.274-44 | 2.938 | 5.031 | EY 6-4-9161X |
| 1 | 1760 | 2.274-44 | 2.938 | 5.094 | EY 6.3-4-1321 |
| 1 | 1760 | 2.274-44 | 2.938 | 5.094 | EY 6.3-4-1321-1 |
| 1 | 1760 | 2.274-44 | 2.938 | 5.094 | EY 6.3-4-1621-1X |
| 1 | 1760 | 2.274-44 | 2.938 | 5.094 | EY 6.3-4-1621X |
| 1 | 1810 | 2.274-44 | 2.938 | 5.090 | EY 6.5-4-4081-1 |
| 1 | 1810 | 2.274-44 | 2.938 | 5.090 | EY 6.5-4-4591-1X |

| | | | | | |
|----------------|--------|----------|-------|-------|--|
| 26085-T | | | | | |
| 1 | 1810 | 2.143-41 | 2.938 | 3.500 | CF 6.5-1-2941 |
| 1 | 1710 | 2.143-41 | 2.938 | 5.190 | EY 6-4-7311 |
| 1 | 1710 | 2.143-41 | 2.938 | 5.190 | EY 6-4-7311-1 |
| 1 | 1710 | 2.143-41 | 2.938 | 5.190 | EY 6-4-7321-1X |
| 1 | 1710 | 2.143-41 | 2.938 | 6.125 | EY 6-4-7551 <i>High angle yoke</i> |
| 1 | 1710 | 2.143-41 | 2.938 | 6.125 | EY 6-4-7551-1 <i>High angle yoke</i> |
| 1 | 1710 | 2.143-41 | 2.938 | 5.190 | EY 6-4-9171-1X |
| 1 | 1710 | 2.143-41 | 2.938 | 5.190 | EY 6-4-9171X |
| 1 | 1710 | 2.143-41 | 2.938 | 6.125 | EY 6-4-9181-1X <i>High angle yoke</i> |
| 1 | 1710 | 2.143-41 | 2.938 | 6.125 | EY 6-4-9181X <i>High angle yoke</i> |
| 1 | 1760 | 2.143-41 | 2.938 | 5.250 | EY 6.3-4-1061 |
| 1 | 1760 | 2.143-41 | 2.938 | 5.250 | EY 6.3-4-1061-1 |
| 1 | 1760 | 2.143-41 | 2.938 | 5.250 | EY 6.3-4-1071-1X |
| 1 | 1760 | 2.143-41 | 2.938 | 5.250 | EY 6.3-4-1631-1X |
| 1 | 1810 | 2.143-41 | 2.938 | 5.250 | EY 6.5-4-4601-1X |
| 1 | 1810 | 2.143-41 | 2.938 | 5.250 | EY 6.5-4-4601X |
| 1 | 1810 | 2.143-41 | 2.938 | 5.250 | EY 6.5-4-3691X |
| 1 | SPL100 | 2.143-41 | 2.938 | 4.562 | EY 100-4-1051-1 |
| 1 | SPL100 | 2.143-41 | 2.938 | 4.562 | EY 100-4-1061-1X |
| 1 | SPL140 | 2.143-41 | 2.938 | 5.560 | EY 140-4-421-1 |
| 1 | SPL140 | 2.143-41 | 2.938 | 5.560 | EY 140-4-431-1X |
| 1 | SPL170 | 2.143-41 | 2.938 | 5.320 | EY 170-4-351-1 |
| 1 | SPL170 | 2.143-41 | 2.938 | 5.320 | EY 170-4-361-1X |
| 1 | SPL170 | 2.143-41 | 2.938 | 6.680 | EY 170-4-371-1 <i>High angle yoke</i> |

| Pos | Series | Spline Data | Hub Dia | * to End of Hub | End Fitting Part Number |
|----------------------------|--------|-------------|---------|-----------------|---|
| 26085-T (Continued) | | | | | |
| 1 | SPL170 | 2.143-41 | 2.938 | 6.680 | EY 170-4-381-1X <i>High angle yoke</i> |
| 1 | SPL250 | 2.143-41 | 2.938 | 5.490 | EY 250-4-131-1 |
| 1 | SPL250 | 2.143-41 | 2.938 | 5.490 | EY 250-4-141-1X |
| 1 | SPL70 | 2.143-41 | 2.938 | 4.555 | EY 70-4-141-1 |
| 1 | SPL70 | 2.143-41 | 2.938 | 4.555 | EY 70-4-151-1X |
| 1 | SPL90 | 2.143-41 | 2.938 | 4.562 | EY 90-4-471-1 |
| 1 | SPL90 | 2.143-41 | 2.938 | 4.562 | EY 90-4-691-1X |
| 1 | 1550 | 2.143-41 | 2.938 | 4.500 | EY 4-4-5581-1 |
| 1 | 1610 | 2.143-41 | 2.938 | 5.250 | EY 5-4-7271-1 |
| 1 | 1610 | 2.143-41 | 2.938 | 6.000 | EY 5-4-7561 |
| 1 | 1610 | 2.143-41 | 2.938 | 6.000 | EY 5-4-7561-1 |
| 1 | 1610 | 2.143-41 | 2.938 | 5.250 | EY 5-4-9111-1X |
| 1 | 1610 | 2.143-41 | 2.938 | 6.000 | EY 5-4-9121-1X |
| 1 | 1610 | 2.143-41 | 2.938 | 6.000 | EY 5-4-9121X |
| 1 | 1760 | 2.143-41 | 2.938 | 5.250 | EY 6.3-4-1071X |

| | | | | | |
|----------------|--------|----------|-------|-------|------------------|
| 26105-D | | | | | |
| 1 | SPL100 | 2.281-44 | 2.938 | 4.469 | EY 100-4-1381-1X |
| 1 | SPL140 | 2.274-44 | 2.938 | 5.190 | EY 140-4-1191-1 |
| 1 | SPL140 | 2.274-44 | 2.938 | 5.190 | EY 140-4-441-1 |
| 1 | SPL140 | 2.274-44 | 2.938 | 5.190 | EY 140-4-451-1X |
| 1 | SPL170 | 2.274-44 | 2.938 | 5.094 | EY 170-4-21-1 |
| 1 | SPL170 | 2.274-44 | 2.938 | 5.094 | EY 170-4-31-1X |
| 1 | SPL250 | 2.274-44 | 2.938 | 5.328 | EY 250-4-31-1 |
| 1 | SPL250 | 2.274-44 | 2.938 | 5.328 | EY 250-4-41-1X |
| 1 | SPL90 | 2.281-44 | 2.938 | 4.469 | EY 90-4-281-1 |
| 1 | 1610 | 2.274-44 | 2.938 | 4.844 | EY 5-4-8021-1 |
| 1 | 1610 | 2.274-44 | 2.938 | 4.844 | EY 5-4-9101-1X |
| 1 | 1710 | 2.274-44 | 2.938 | 5.031 | EY 6-4-7961 |
| 1 | 1710 | 2.274-44 | 2.938 | 5.031 | EY 6-4-7961-1 |
| 1 | 1710 | 2.274-44 | 2.938 | 5.031 | EY 6-4-9161-1X |
| 1 | 1710 | 2.274-44 | 2.938 | 5.031 | EY 6-4-9161X |
| 1 | 1760 | 2.274-44 | 2.938 | 5.094 | EY 6.3-4-1321 |
| 1 | 1760 | 2.274-44 | 2.938 | 5.094 | EY 6.3-4-1321-1 |
| 1 | 1760 | 2.274-44 | 2.938 | 5.094 | EY 6.3-4-1621-1X |
| 1 | 1760 | 2.274-44 | 2.938 | 5.094 | EY 6.3-4-1621X |
| 1 | 1810 | 2.274-44 | 2.938 | 5.090 | EY 6.5-4-4081-1 |
| 1 | 1810 | 2.274-44 | 2.938 | 5.090 | EY 6.5-4-4591-1X |

| | | | | | |
|----------------|--------|----------|-------|-------|------------------|
| 26105-S | | | | | |
| 1 | SPL100 | 2.281-44 | 2.938 | 4.469 | EY 100-4-1381-1X |
| 1 | SPL140 | 2.274-44 | 2.938 | 5.190 | EY 140-4-1191-1 |
| 1 | SPL140 | 2.274-44 | 2.938 | 5.190 | EY 140-4-1201-1X |
| 1 | SPL140 | 2.143-41 | 2.938 | 5.560 | EY 140-4-421-1 |
| 1 | SPL140 | 2.143-41 | 2.938 | 5.560 | EY 140-4-431-1X |
| 1 | SPL140 | 2.274-44 | 2.938 | 5.190 | EY 140-4-441-1 |
| 1 | SPL140 | 2.274-44 | 2.938 | 5.190 | EY 140-4-451-1X |
| 1 | SPL170 | 2.274-44 | 2.938 | 5.094 | EY 170-4-21-1 |
| 1 | SPL170 | 2.274-44 | 2.938 | 5.094 | EY 170-4-31-1X |

*C/L to End of Hub for EY (End Yoke); Flange Face to End of Hub for CF (Companion Flange)

■ Hub machined for speedometer gear



| Pos | Series | Spline Data | Hub Dia | * to End of Hub | End Fitting Part Number |
|----------------------------|--------|-------------|---------|-----------------|---|
| 26105-S (Continued) | | | | | |
| 1 | SPL170 | 2.143-41 | 2.938 | 5.320 | EY 170-4-351-1 |
| 1 | SPL170 | 2.143-41 | 2.938 | 5.320 | EY 170-4-361-1X |
| 1 | SPL170 | 2.143-41 | 2.938 | 6.680 | EY 170-4-371-1 <i>High angle yoke</i> |
| 1 | SPL170 | 2.143-41 | 2.938 | 6.680 | EY 170-4-381-1X <i>High angle yoke</i> |
| 1 | SPL250 | 2.143-41 | 2.938 | 5.490 | EY 250-4-131-1 |
| 1 | SPL250 | 2.143-41 | 2.938 | 5.490 | EY 250-4-141-1X |
| 1 | SPL250 | 2.274-44 | 2.938 | 5.328 | EY 250-4-31-1 |
| 1 | SPL250 | 2.274-44 | 2.938 | 5.328 | EY 250-4-41-1X |
| 1 | SPL90 | 2.281-44 | 2.938 | 4.469 | EY 90-4-281-1 |
| 1 | 1610 | 2.274-44 | 2.938 | 4.844 | EY 5-4-8021-1 |
| 1 | 1610 | 2.274-44 | 2.938 | 4.844 | EY 5-4-9101-1X |
| 1 | 1710 | 2.274-44 | 2.938 | 5.031 | EY 6-4-7961 |
| 1 | 1710 | 2.274-44 | 2.938 | 5.031 | EY 6-4-7961-1 |
| 1 | 1710 | 2.274-44 | 2.938 | 5.031 | EY 6-4-9161-1X |
| 1 | 1710 | 2.274-44 | 2.938 | 5.031 | EY 6-4-9161X |
| 1 | 1760 | 2.274-44 | 2.938 | 5.094 | EY 6.3-4-1321 |
| 1 | 1760 | 2.274-44 | 2.938 | 5.094 | EY 6.3-4-1321-1 |
| 1 | 1760 | 2.274-44 | 2.938 | 5.094 | EY 6.3-4-1621-1X |
| 1 | 1760 | 2.274-44 | 2.938 | 5.094 | EY 6.3-4-1621X |
| 1 | 1810 | 2.274-44 | 2.938 | 5.090 | EY 6.5-4-4081-1 |
| 1 | 1810 | 2.274-44 | 2.938 | 5.090 | EY 6.5-4-4591-1X |

| | | | | | |
|--|------|----------|-------|-------|--|
| 26121, 26221, 26321, 26421, 26426 | | | | | |
| 1 | 1610 | 2.149-16 | 2.938 | 6.250 | EY 5-4-5161-1X |
| 1 | 1610 | 2.149-16 | 2.938 | 6.250 | EY 5-4-5161X <i>High angle yoke</i> |
| 1 | 1710 | 2.149-16 | 2.938 | 5.500 | EY 6-4-4171-1X |
| 1 | 1710 | 2.149-16 | 2.938 | 5.500 | EY 6-4-4171X |
| 1 | 1760 | 2.149-16 | 2.938 | 5.812 | EY 6.3-4-141 |
| 1 | 1760 | 2.149-16 | 2.938 | 5.812 | EY 6.3-4-141-1 |
| 1 | 1760 | 2.149-16 | 2.938 | 5.812 | EY 6.3-4-251-1X |
| 1 | 1760 | 2.149-16 | 2.938 | 5.812 | EY 6.3-4-251X |
| 1 | 1810 | 2.149-16 | 2.938 | 5.812 | EY 6.5-4-2401-1X |
| 1 | 1810 | 2.149-16 | 2.938 | 5.812 | EY 6.5-4-2401X |

| | | | | | |
|----------------|--------|----------|-------|-------|--|
| 30055-P | | | | | |
| 1 | 1810 | 2.143-41 | 2.938 | 3.500 | CF 6.5-1-2941 |
| 1 | 1710 | 2.143-41 | 2.938 | 5.190 | EY 6-4-7311 |
| 1 | 1710 | 2.143-41 | 2.938 | 5.190 | EY 6-4-7311-1 |
| 1 | 1710 | 2.143-41 | 2.938 | 6.125 | EY 6-4-7551 <i>High angle yoke</i> |
| 1 | 1710 | 2.143-41 | 2.938 | 6.125 | EY 6-4-7551-1 <i>High angle yoke</i> |
| 1 | 1710 | 2.143-41 | 2.938 | 5.190 | EY 6-4-9171-1X |
| 1 | 1710 | 2.143-41 | 2.938 | 5.190 | EY 6-4-9171X |
| 1 | 1710 | 2.143-41 | 2.938 | 6.125 | EY 6-4-9181-1X <i>High angle yoke</i> |
| 1 | 1710 | 2.143-41 | 2.938 | 6.125 | EY 6-4-9181X <i>High angle yoke</i> |
| 1 | 1760 | 2.143-41 | 2.938 | 5.250 | EY 6.3-4-1061 |
| 1 | 1760 | 2.143-41 | 2.938 | 5.250 | EY 6.3-4-1061-1 |
| 1 | 1760 | 2.143-41 | 2.938 | 5.250 | EY 6.3-4-1631-1X |
| 1 | 1810 | 2.143-41 | 2.938 | 5.250 | EY 6.5-4-4601-1X |
| 1 | 1810 | 2.143-41 | 2.938 | 5.250 | EY 6.5-4-4601X |
| 1 | SPL100 | 2.143-41 | 2.938 | 4.562 | EY 100-4-1051-1 |
| 1 | SPL100 | 2.143-41 | 2.938 | 4.562 | EY 100-4-1061-1X |
| 1 | SPL140 | 2.143-41 | 2.938 | 5.560 | EY 140-4-421-1 |
| 1 | SPL140 | 2.143-41 | 2.938 | 5.560 | EY 140-4-431-1X |
| 1 | SPL170 | 2.143-41 | 2.938 | 5.320 | EY 170-4-351-1 |
| 1 | SPL170 | 2.143-41 | 2.938 | 5.320 | EY 170-4-361-1X |
| 1 | SPL170 | 2.143-41 | 2.938 | 6.680 | EY 170-4-371-1 <i>High angle yoke</i> |

| Pos | Series | Spline Data | Hub Dia | * to End of Hub | End Fitting Part Number |
|----------------------------|--------|-------------|---------|-----------------|---|
| 30055-P (Continued) | | | | | |
| 1 | SPL170 | 2.143-41 | 2.938 | 6.680 | EY 170-4-381-1X <i>High angle yoke</i> |
| 1 | SPL250 | 2.143-41 | 2.938 | 5.490 | EY 250-4-131-1 |
| 1 | SPL250 | 2.143-41 | 2.938 | 5.490 | EY 250-4-141-1X |
| 1 | SPL90 | 2.143-41 | 2.938 | 4.562 | EY 90-4-471-1 |
| 1 | SPL90 | 2.143-41 | 2.938 | 4.562 | EY 90-4-691-1X |
| 1 | 1550 | 2.143-41 | 2.938 | 4.500 | EY 4-4-5581-1 |
| 1 | 1610 | 2.143-41 | 2.938 | 5.250 | EY 5-4-7271-1 |
| 1 | 1610 | 2.143-41 | 2.938 | 6.000 | EY 5-4-7561 |
| 1 | 1610 | 2.143-41 | 2.938 | 6.000 | EY 5-4-7561-1 |
| 1 | 1610 | 2.143-41 | 2.938 | 5.250 | EY 5-4-9111-1X |
| 1 | 1610 | 2.143-41 | 2.938 | 6.000 | EY 5-4-9121-1X |
| 1 | 1610 | 2.143-41 | 2.938 | 6.000 | EY 5-4-9121X |

| | | | | | |
|----------------|--------|----------|-------|-------|------------------|
| 30080-A | | | | | |
| 1 | SPL100 | 2.281-44 | 2.938 | 4.469 | EY 100-4-1381-1X |
| 1 | SPL140 | 2.274-44 | 2.938 | 5.190 | EY 140-4-1191-1 |
| 1 | SPL140 | 2.274-44 | 2.938 | 5.190 | EY 140-4-1201-1X |
| 1 | SPL140 | 2.274-44 | 2.938 | 5.190 | EY 140-4-441-1 |
| 1 | SPL140 | 2.274-44 | 2.938 | 5.190 | EY 140-4-451-1X |
| 1 | SPL170 | 2.274-44 | 2.938 | 5.094 | EY 170-4-21-1 |
| 1 | SPL170 | 2.274-44 | 2.938 | 5.094 | EY 170-4-31-1X |
| 1 | SPL250 | 2.274-44 | 2.938 | 5.328 | EY 250-4-31-1 |
| 1 | SPL250 | 2.274-44 | 2.938 | 5.328 | EY 250-4-41-1X |
| 1 | SPL90 | 2.281-44 | 2.938 | 4.469 | EY 90-4-281-1 |
| 1 | 1610 | 2.274-44 | 2.938 | 4.844 | EY 5-4-8021-1 |
| 1 | 1610 | 2.274-44 | 2.938 | 4.844 | EY 5-4-9101-1X |
| 1 | 1710 | 2.274-44 | 2.938 | 5.031 | EY 6-4-7961 |
| 1 | 1710 | 2.274-44 | 2.938 | 5.031 | EY 6-4-7961-1 |
| 1 | 1710 | 2.274-44 | 2.938 | 5.031 | EY 6-4-9161-1X |
| 1 | 1710 | 2.274-44 | 2.938 | 5.031 | EY 6-4-9161X |
| 1 | 1760 | 2.274-44 | 2.938 | 5.094 | EY 6.3-4-1321 |
| 1 | 1760 | 2.274-44 | 2.938 | 5.094 | EY 6.3-4-1321-1 |
| 1 | 1760 | 2.274-44 | 2.938 | 5.094 | EY 6.3-4-1621-1X |
| 1 | 1760 | 2.274-44 | 2.938 | 5.094 | EY 6.3-4-1621X |
| 1 | 1810 | 2.274-44 | 2.938 | 5.090 | EY 6.5-4-4081-1 |
| 1 | 1810 | 2.274-44 | 2.938 | 5.090 | EY 6.5-4-4591-1X |

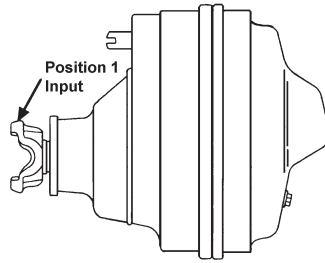
| | | | | | |
|-------------------------|--------|----------|-------|-------|---|
| 30080-D, 30080-S | | | | | |
| 1 | SPL100 | 2.281-44 | 2.938 | 4.469 | EY 100-4-1381-1X |
| 1 | SPL140 | 2.274-44 | 2.938 | 5.190 | EY 140-4-1191-1 |
| 1 | SPL140 | 2.274-44 | 2.938 | 5.190 | EY 140-4-1201-1X |
| 1 | SPL140 | 2.143-41 | 2.938 | 5.560 | EY 140-4-421-1 |
| 1 | SPL140 | 2.143-41 | 2.938 | 5.560 | EY 140-4-431-1X |
| 1 | SPL140 | 2.274-44 | 2.938 | 5.190 | EY 140-4-441-1 |
| 1 | SPL140 | 2.274-44 | 2.938 | 5.190 | EY 140-4-451-1X |
| 1 | SPL170 | 2.274-44 | 2.938 | 5.094 | EY 170-4-21-1 |
| 1 | SPL170 | 2.274-44 | 2.938 | 5.094 | EY 170-4-31-1X |
| 1 | SPL170 | 2.143-41 | 2.938 | 5.320 | EY 170-4-351-1 |
| 1 | SPL170 | 2.143-41 | 2.938 | 5.320 | EY 170-4-361-1X |
| 1 | SPL170 | 2.143-41 | 2.938 | 6.680 | EY 170-4-371-1 <i>High angle yoke</i> |
| 1 | SPL170 | 2.143-41 | 2.938 | 6.680 | EY 170-4-381-1X <i>High angle yoke</i> |
| 1 | SPL250 | 2.143-41 | 2.938 | 5.490 | EY 250-4-131-1 |
| 1 | SPL250 | 2.143-41 | 2.938 | 5.490 | EY 250-4-141-1X |
| 1 | SPL250 | 2.274-44 | 2.938 | 5.328 | EY 250-4-31-1 |
| 1 | SPL250 | 2.274-44 | 2.938 | 5.328 | EY 250-4-41-1X |
| 1 | SPL90 | 2.281-44 | 2.938 | 4.469 | EY 90-4-281-1 |

Continued on next page

*C/L to End of Hub for EY (End Yoke); Flange Face to End of Hub for CF (Companion Flange)

■ Hub machined for speedometer gear





| Pos | Series | Spline Data | Hub Dia | * to End of Hub | End Fitting Part Number |
|-----|--------|-------------|---------|-----------------|-------------------------|
|-----|--------|-------------|---------|-----------------|-------------------------|

30080-D, 30080-S (Continued)

| | | | | | |
|---|------|----------|-------|-------|------------------|
| 1 | 1610 | 2.274-44 | 2.938 | 4.844 | EY 5-4-8021-1 |
| 1 | 1610 | 2.274-44 | 2.938 | 4.844 | EY 5-4-9101-1X |
| 1 | 1710 | 2.274-44 | 2.938 | 5.031 | EY 6-4-7961 |
| 1 | 1710 | 2.274-44 | 2.938 | 5.031 | EY 6-4-7961-1 |
| 1 | 1710 | 2.274-44 | 2.938 | 5.031 | EY 6-4-9161-1X |
| 1 | 1710 | 2.274-44 | 2.938 | 5.031 | EY 6-4-9161X |
| 1 | 1760 | 2.274-44 | 2.938 | 5.094 | EY 6.3-4-1321 |
| 1 | 1760 | 2.274-44 | 2.938 | 5.094 | EY 6.3-4-1321-1 |
| 1 | 1760 | 2.274-44 | 2.938 | 5.094 | EY 6.3-4-1621-1X |
| 1 | 1760 | 2.274-44 | 2.938 | 5.094 | EY 6.3-4-1621X |
| 1 | 1810 | 2.274-44 | 2.938 | 5.090 | EY 6.5-4-4081-1 |
| 1 | 1810 | 2.274-44 | 2.938 | 5.090 | EY 6.5-4-4591-1X |

30105

| | | | | | |
|---|------|----------|-------|-------|------------------|
| 1 | 1810 | 2.274-44 | 2.938 | 3.094 | CF 6.5-1-2401X |
| 1 | 1610 | 2.274-44 | 2.938 | 5.000 | EY 5-4-6381-1X |
| 1 | 1710 | 2.274-44 | 2.938 | 5.188 | EY 6-4-6041-1X |
| 1 | 1710 | 2.274-44 | 2.938 | 5.188 | EY 6-4-6041X |
| 1 | 1760 | 2.274-44 | 2.938 | 5.250 | EY 6.3-4-331-1X |
| 1 | 1760 | 2.274-44 | 2.938 | 5.250 | EY 6.3-4-331X |
| 1 | 1810 | 2.274-44 | 2.938 | 5.250 | EY 6.5-4-3281-1X |
| 1 | 1810 | 2.274-44 | 2.938 | 5.250 | EY 6.5-4-3281X |

30105-D, 30105-S

| | | | | | |
|---|--------|----------|-------|-------|------------------------|
| 1 | SPL100 | 2.281-44 | 2.938 | 4.469 | EY 100-4-1381-1X |
| 1 | SPL140 | 2.274-44 | 2.938 | 5.190 | EY 140-4-1191-1 |
| 1 | SPL140 | 2.274-44 | 2.938 | 5.190 | EY 140-4-1201-1X |
| 1 | SPL140 | 2.143-41 | 2.938 | 5.560 | EY 140-4-421-1 |
| 1 | SPL140 | 2.143-41 | 2.938 | 5.560 | EY 140-4-431-1X |
| 1 | SPL140 | 2.274-44 | 2.938 | 5.190 | EY 140-4-441-1 |
| 1 | SPL140 | 2.274-44 | 2.938 | 5.190 | EY 140-4-451-1X |
| 1 | SPL170 | 2.274-44 | 2.938 | 5.094 | EY 170-4-21-1 |
| 1 | SPL170 | 2.274-44 | 2.938 | 5.094 | EY 170-4-31-1X |
| 1 | SPL170 | 2.143-41 | 2.938 | 5.320 | EY 170-4-351-1 |
| 1 | SPL170 | 2.143-41 | 2.938 | 5.320 | EY 170-4-361-1X |
| 1 | SPL170 | 2.143-41 | 2.938 | 6.680 | EY 170-4-371-1 |
| | | | | | <i>High angle yoke</i> |
| 1 | SPL170 | 2.143-41 | 2.938 | 6.680 | EY 170-4-381-1X |
| | | | | | <i>High angle yoke</i> |
| 1 | SPL250 | 2.143-41 | 2.938 | 5.490 | EY 250-4-131-1 |
| 1 | SPL250 | 2.143-41 | 2.938 | 5.490 | EY 250-4-141-1X |
| 1 | SPL250 | 2.274-44 | 2.938 | 5.328 | EY 250-4-31-1 |
| 1 | SPL250 | 2.274-44 | 2.938 | 5.328 | EY 250-4-41-1X |
| 1 | SPL90 | 2.281-44 | 2.938 | 4.469 | EY 90-4-281-1 |
| 1 | 1610 | 2.274-44 | 2.938 | 4.844 | EY 5-4-8021-1 |
| 1 | 1610 | 2.274-44 | 2.938 | 4.844 | EY 5-4-9101-1X |
| 1 | 1710 | 2.274-44 | 2.938 | 5.031 | EY 6-4-7961 |
| 1 | 1710 | 2.274-44 | 2.938 | 5.031 | EY 6-4-7961-1 |
| 1 | 1710 | 2.274-44 | 2.938 | 5.031 | EY 6-4-9161-1X |
| 1 | 1710 | 2.274-44 | 2.938 | 5.031 | EY 6-4-9161X |

| Pos | Series | Spline Data | Hub Dia | * to End of Hub | End Fitting Part Number |
|-----|--------|-------------|---------|-----------------|-------------------------|
|-----|--------|-------------|---------|-----------------|-------------------------|

30105-D, 30105-S (Continued)

| | | | | | |
|---|------|----------|-------|-------|------------------|
| 1 | 1760 | 2.274-44 | 2.938 | 5.094 | EY 6.3-4-1321 |
| 1 | 1760 | 2.274-44 | 2.938 | 5.094 | EY 6.3-4-1321-1 |
| 1 | 1760 | 2.274-44 | 2.938 | 5.094 | EY 6.3-4-1621-1X |
| 1 | 1760 | 2.274-44 | 2.938 | 5.094 | EY 6.3-4-1621X |
| 1 | 1810 | 2.274-44 | 2.938 | 5.090 | EY 6.5-4-4081-1 |
| 1 | 1810 | 2.274-44 | 2.938 | 5.090 | EY 6.5-4-4591-1X |

30127

| | | | | | |
|---|------|----------|-------|-------|------------------------|
| 1 | 1610 | 2.149-16 | 2.938 | 6.250 | EY 5-4-5161-1X |
| 1 | 1610 | 2.149-16 | 2.938 | 6.250 | EY 5-4-5161X |
| | | | | | <i>High angle yoke</i> |
| 1 | 1710 | 2.149-16 | 2.938 | 5.500 | EY 6-4-4171-1X |
| 1 | 1710 | 2.149-16 | 2.938 | 5.500 | EY 6-4-4171X |
| 1 | 1760 | 2.149-16 | 2.938 | 5.812 | EY 6.3-4-251-1X |
| 1 | 1760 | 2.149-16 | 2.938 | 5.812 | EY 6.3-4-251X |
| 1 | 1810 | 2.149-16 | 2.938 | 5.812 | EY 6.5-4-2401-1X |
| 1 | 1810 | 2.149-16 | 2.938 | 5.812 | EY 6.5-4-2401X |

33055-P

| | | | | | |
|---|------|----------|-------|-------|----------------|
| 1 | 1810 | 2.143-41 | 2.938 | 5.250 | EY 6.5-4-4601X |
|---|------|----------|-------|-------|----------------|

35055-P

| | | | | | |
|---|--------|----------|-------|-------|------------------------|
| 1 | SPL90 | 2.143-41 | 2.938 | 4.562 | CF 90-4-691-1X |
| 1 | SPL100 | 2.143-41 | 2.938 | 4.562 | EY 100-4-1061-1X |
| 1 | SPL170 | 2.143-41 | 2.938 | 5.320 | EY 170-4-361-1X |
| 1 | SPL170 | 2.143-41 | 2.938 | 6.680 | EY 170-4-381-1X |
| | | | | | <i>High angle yoke</i> |
| 1 | SPL90 | 2.143-41 | 2.938 | 4.562 | EY 90-4-471-1 |
| 1 | SPL90 | 2.143-41 | 2.938 | 4.562 | EY 90-4-691-1X |
| 1 | 1610 | 2.143-41 | 2.938 | 5.250 | EY 5-4-9111-1X |
| 1 | 1610 | 2.143-41 | 2.938 | 6.000 | EY 5-4-9121X |
| 1 | 1710 | 2.143-41 | 2.938 | 6.125 | EY 6-4-9181-1X |
| | | | | | <i>High angle yoke</i> |
| 1 | 1710 | 2.143-41 | 2.938 | 6.125 | EY 6-4-9181X |
| | | | | | <i>High angle yoke</i> |

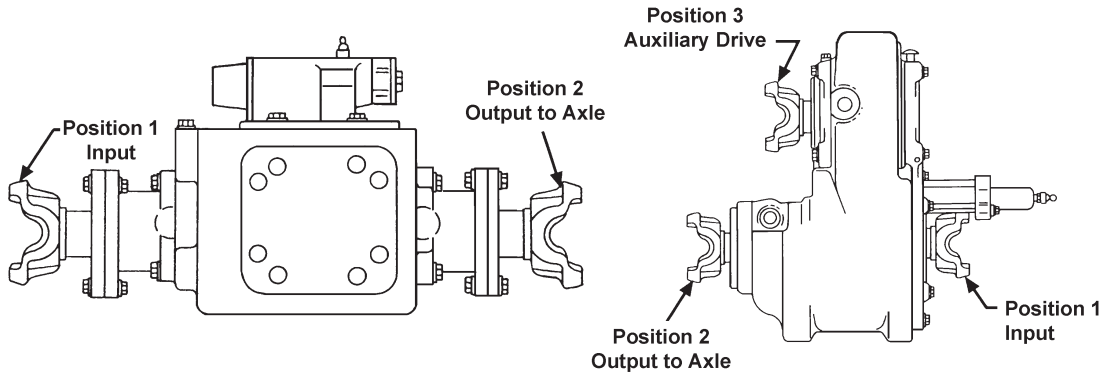
35327

| | | | | | |
|---|------|----------|-------|-------|------------------------|
| 1 | 1610 | 2.149-16 | 2.938 | 6.250 | EY 5-4-5161-1X |
| 1 | 1610 | 2.149-16 | 2.938 | 6.250 | EY 5-4-5161X |
| | | | | | <i>High angle yoke</i> |
| 1 | 1710 | 2.149-16 | 2.938 | 5.500 | EY 6-4-4171-1X |
| 1 | 1710 | 2.149-16 | 2.938 | 5.500 | EY 6-4-4171X |
| 1 | 1760 | 2.149-16 | 2.938 | 5.812 | EY 6.3-4-141 |
| 1 | 1760 | 2.149-16 | 2.938 | 5.812 | EY 6.3-4-141-1 |
| 1 | 1760 | 2.149-16 | 2.938 | 5.812 | EY 6.3-4-251-1X |
| 1 | 1760 | 2.149-16 | 2.938 | 5.812 | EY 6.3-4-251X |
| 1 | 1810 | 2.422-18 | 3.375 | 5.812 | EY 6.5-4-1991-1 |
| 1 | 1810 | 2.149-16 | 2.938 | 5.812 | EY 6.5-4-2291 |
| 1 | 1810 | 2.149-16 | 2.938 | 5.812 | EY 6.5-4-2291-1 |
| 1 | 1810 | 2.149-16 | 2.938 | 5.812 | EY 6.5-4-2401-1X |
| 1 | 1810 | 2.149-16 | 2.938 | 5.812 | EY 6.5-4-2401X |

*C/L to End of Hub for EY (End Yoke); Flange Face to End of Hub for CF (Companion Flange)

■ Hub machined for speedometer gear





| Pos | Series | Spline Data | Hub Dia | * to End of Hub | End Fitting Part Number |
|-----------------|-----------|-------------|---------|-----------------|---|
| 900, 901 | | | | | |
| 1 | 1480/1410 | 1.750-10 | 2.500 | 3.000 | CF 4-1-3891 |
| 2 | 1480/1410 | 1.750-10 | 2.500 | 3.000 | CF 4-1-3891 <i>Can be used w/brake</i> |
| 3 | 1350/1410 | 1.500-10 | 2.000 | 2.906 | CF 3-1-3431 .310 deep counterbore at hub end |
| 910 (**) | | | | | |
| 1 | 1710 | 2.500-10 | 3.750 | 5.625 | EY 6-4-6921X ** Two Spline Options ■ |
| 2 | 1710 | 2.500-10 | 3.750 | 5.625 | EY 6-4-6921X ** Two Spline Options ■ |
| 911 (**) | | | | | |
| 1 | 1710 | 2.500-10 | 3.750 | 3.625 | CF 6-1-5651X ** Two Spline Options |
| 1 | 1710 | 2.500-10 | 3.750 | 5.625 | EY 6-4-6921X ** Two Spline Options ■ |
| 2 | 1710 | 2.500-10 | 3.750 | 3.625 | CF 6-1-5651X ** Two Spline Options |
| 2 | 1710 | 2.500-10 | 3.750 | 5.625 | EY 6-4-6921X ** Two Spline Options ■ |
| 912 | | | | | |
| 1 | SPL170 | 2.750-10 | 3.750 | 5.850 | EY 170-4-521-1X |
| 1 | SPL250 | 2.750-10 | 3.750 | 6.297 | EY 250-4-241-1X |
| 1 | 1710 | 2.750-10 | 3.750 | 5.750 | EY 6-4-6931-1X |
| 1 | 1710 | 2.750-10 | 3.750 | 5.750 | EY 6-4-6931X |
| 1 | 1810 | 2.750-10 | 3.750 | 6.062 | EY 6.5-4-3561-1X |
| 1 | 1810 | 2.750-10 | 3.750 | 6.062 | EY 6.5-4-3561X |
| 2 | SPL170 | 2.750-10 | 3.750 | 5.850 | EY 170-4-521-1X |
| 2 | SPL250 | 2.750-10 | 3.750 | 6.297 | EY 250-4-241-1X |
| 2 | 1710 | 2.750-10 | 3.750 | 5.750 | EY 6-4-6931-1X |
| 2 | 1710 | 2.750-10 | 3.750 | 5.750 | EY 6-4-6931X |
| 2 | 1810 | 2.750-10 | 3.750 | 6.062 | EY 6.5-4-3561-1X |
| 2 | 1810 | 2.750-10 | 3.750 | 6.062 | EY 6.5-4-3561X |
| 930, 931 | | | | | |
| 1 | 1350/1410 | 1.375-10 | 1.750 | 2.250 | CF 3-1-3881 |
| 2 | 1350/1410 | 1.375-10 | 1.750 | 2.250 | CF 3-1-3881 <i>Can be used w/brake</i> |
| 941 | | | | | |
| 1 | 1350/1410 | 1.500-10 | 2.125 | 2.438 | CF 3-1-2431 |
| 1 | 1550 | 1.500-10 | 2.125 | 2.625 | CF 4-1-2701 |
| 2 | 1550 | 1.500-10 | 2.125 | 2.625 | CF 4-1-2701 |
| 4551 | | | | | |
| 2 | 1350/1410 | 1.375-10 | 1.750 | 2.250 | CF 3-1-3881 <i>Can be used w/brake</i> |

| Pos | Series | Spline Data | Hub Dia | * to End of Hub | End Fitting Part Number |
|-------------------------|-----------|-------------|---------|-----------------|---|
| 4552, 4553, 4561 | | | | | |
| 1 | 1350/1410 | 1.375-10 | 1.750 | 2.250 | CF 3-1-3881 |
| 2 | 1350/1410 | 1.375-10 | 1.750 | 2.250 | CF 3-1-3881 <i>Can be used w/brake</i> |
| 4600, 4605, 4608 | | | | | |
| 1 | 1480/1410 | 1.750-10 | 2.500 | 3.000 | CF 4-1-3891 |
| 2 | 1480/1410 | 1.750-10 | 2.500 | 3.000 | CF 4-1-3891 <i>Can be used w/brake</i> |
| 3 | 1350/1410 | 1.500-10 | 2.000 | 2.906 | CF 3-1-3431 .310 deep counterbore at hub end |
| 4700, 4701 | | | | | |
| 1 | 1480/1550 | 1.964-10 | 2.500 | 3.000 | CF 4-1-3761 |
| 1 | 1610 | 1.964-10 | 2.500 | 3.000 | CF 5-1-4291 |
| 2 | 1610 | 1.962-10 | 2.500 | 3.250 | CF 5-1-4301 |
| 4704 | | | | | |
| 1 | 1610 | 1.964-10 | 2.500 | 3.000 | CF 5-1-4291 |
| 2 | 1610 | 1.962-10 | 2.500 | 3.250 | CF 5-1-4301 |
| 4714 | | | | | |
| 1 | 1480/1550 | 1.964-10 | 2.500 | 3.000 | CF 4-1-3761 |
| 1 | 1610 | 1.964-10 | 2.500 | 3.000 | CF 5-1-4291 |
| 2 | 1610 | 1.962-10 | 2.500 | 3.250 | CF 5-1-4301 |
| 4724 | | | | | |
| 1 | 1610 | 1.964-10 | 2.500 | 3.000 | CF 5-1-4291 |
| 2 | 1610 | 1.962-10 | 2.500 | 3.250 | CF 5-1-4301 |
| 4900 | | | | | |
| 1 | 1710 | 2.500-10 | 3.750 | 3.625 | CF 6-1-5651X |
| 1 | 1710 | 2.500-10 | 3.750 | 5.625 | EY 6-4-6921X ■ |
| 2 | 1710 | 2.500-10 | 3.750 | 3.625 | CF 6-1-5651X |
| 2 | 1710 | 2.500-10 | 3.750 | 5.625 | EY 6-4-6921X ■ |

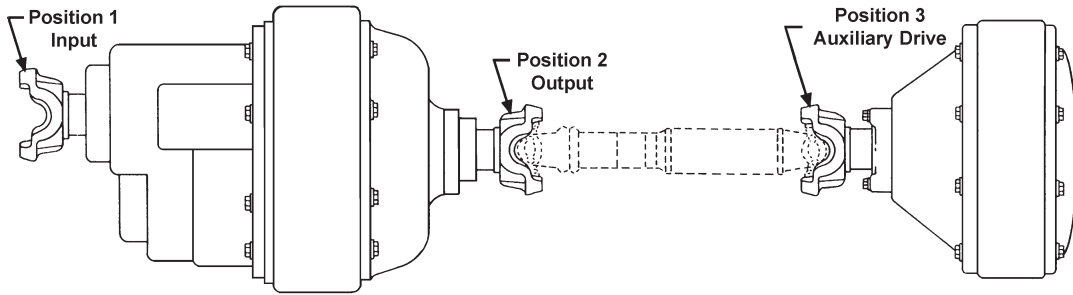
*C/L to End of Hub for EY (End Yoke); Flange Face to End of Hub for CF (Companion Flange)

■ Hub machined for speedometer gear



Important: See Safety Information in General Information Section (J300P-GI)

Tandem Axles Axle Alliance Corp., Clark & Navistar / International



| Pos | Series | Spline Data | Hub Dia | * to End of Hub | End Fitting Part Number |
|-----|--------|-------------|---------|-----------------|-------------------------|
|-----|--------|-------------|---------|-----------------|-------------------------|

AXLE ALLIANCE CORP.

| 4 | | | | | |
|---|--------|----------|-------|-------|------------------------|
| 1 | SPL350 | 2.390-46 | 3.252 | 5.551 | EY 350-4-71-1X |
| 3 | SPL100 | 2.143-41 | 3.000 | 4.310 | EY 100-4-02875-1X |
| 3 | SPL100 | 2.143-41 | 3.000 | 4.310 | EY 5002874 |
| 3 | SPL100 | 2.143-41 | 3.000 | 4.310 | EY 5002875 |
| 3 | 1610 | 2.143-41 | 3.000 | 4.680 | EY 5002873 |
| 3 | 1710 | 2.143-41 | 3.000 | 5.380 | EY 5002876 |
| | | | | | <i>High angle yoke</i> |
| 3 | 1710 | 2.143-41 | 3.000 | 5.380 | EY 5002877 |
| | | | | | <i>High angle yoke</i> |
| 3 | 1710 | 2.143-41 | 3.000 | 5.030 | EY 5002878 |
| 3 | 1710 | 2.143-41 | 3.000 | 5.030 | EY 5002879 |
| 3 | 1710 | 2.143-41 | 3.000 | 5.380 | EY 6-4-02877-1X |
| | | | | | <i>High angle yoke</i> |

CLARK

| BD-45-60, BD-50-60 | | | | | |
|---|------|----------|-------|-------|---------------|
| 1 | 1710 | 2.005-15 | 2.875 | 5.375 | EY 6-4-3001 |
| 2 | 1710 | 1.775-16 | 2.375 | 4.750 | EY 6-4-4271 |
| 3 | 1710 | 2.005-15 | 2.875 | 5.375 | EY 6-4-3001 |
| BD-50-70, BD-80-120, BD-57000, BD-65000, BD-65200, BD-70000, BD-71000, BD-90000, BD-91000, BD-100000, BD-101000 | | | | | |
| 1 | 1710 | 2.631-25 | 3.625 | 5.250 | EY 6-4-3021 |
| 1 | 1810 | 2.631-25 | 3.625 | 5.781 | EY 6.5-4-2181 |
| 2 | 1710 | 2.005-15 | 2.875 | 5.375 | EY 6-4-3001 |
| 2 | 1810 | 2.005-15 | 2.875 | 5.250 | EY 6.5-4-2911 |
| 3 | 1710 | 2.631-25 | 3.625 | 5.250 | EY 6-4-3021 |
| 3 | 1810 | 2.631-25 | 3.625 | 5.781 | EY 6.5-4-2181 |
| BE-45-60 | | | | | |
| 1 | 1710 | 2.005-15 | 2.875 | 5.375 | EY 6-4-3001 |
| 2 | 1710 | 1.775-16 | 2.375 | 4.750 | EY 6-4-4271 |
| 3 | 1710 | 2.005-15 | 2.875 | 5.375 | EY 6-4-3001 |

| Pos | Series | Spline Data | Hub Dia | * to End of Hub | End Fitting Part Number |
|-----|--------|-------------|---------|-----------------|-------------------------|
|-----|--------|-------------|---------|-----------------|-------------------------|

NAVISTAR / INTERNATIONAL

| RA-341 | | | | | |
|--------|------|----------|-------|-------|------------------------|
| 1 | 1610 | 1.939-30 | 3.000 | 4.750 | EY 5-4-4391 |
| 1 | 1710 | 1.939-30 | 3.000 | 4.562 | EY 6-4-4371 |
| 1 | 1810 | 1.939-30 | 3.000 | 5.375 | EY 6.5-4-2051 |
| 2 | 1480 | 1.964-10 | 2.500 | 4.688 | EY 3-4-4211 |
| 2 | 1610 | 1.962-10 | 2.500 | 5.219 | EY 5-4-4551 |
| RA-351 | | | | | |
| 1 | 1550 | 2.364-36 | 3.000 | 5.078 | EY 4-4-7111-1X |
| 1 | 1610 | 2.364-36 | 3.000 | 5.156 | EY 5-4-5631 |
| 1 | 1610 | 2.364-36 | 3.000 | 5.156 | EY 5-4-7201X |
| 1 | 1610 | 2.364-36 | 3.000 | 5.156 | EY 5-4-7211X |
| 1 | 1610 | 2.364-36 | 3.000 | 5.156 | EY 5-4-8631-1X |
| 1 | 1610 | 2.364-36 | 3.000 | 5.156 | EY 5-4-8651-1X |
| 1 | 1710 | 2.364-36 | 3.000 | 5.438 | EY 6-4-5711 |
| 1 | 1710 | 2.364-36 | 3.000 | 5.438 | EY 6-4-7191X |
| 1 | 1710 | 2.364-36 | 3.000 | 5.438 | EY 6-4-7211X |
| 1 | 1710 | 2.364-36 | 3.000 | 5.438 | EY 6-4-8701-1X |
| 1 | 1710 | 2.364-36 | 3.000 | 5.438 | EY 6-4-8721-1X |
| 1 | 1760 | 2.364-36 | 3.000 | 5.438 | EY 6.3-4-1561-1X |
| 1 | 1760 | 2.364-36 | 3.000 | 5.438 | EY 6.3-4-851X |
| 1 | 1810 | 1.939-30 | 3.000 | 5.375 | EY 6.5-4-2051 |
| 1 | 1810 | 2.364-36 | 3.000 | 5.438 | EY 6.5-4-3161 |
| 1 | 1810 | 2.364-36 | 3.000 | 5.438 | EY 6.5-4-3651X |
| 1 | 1810 | 2.364-36 | 3.000 | 5.438 | EY 6.5-4-4421-1X |
| 1 | 1810 | 2.364-36 | 3.000 | 5.438 | EY 6.5-4-4441-1X |
| 2 | 1480 | 1.964-10 | 2.500 | 4.688 | EY 3-4-4211 |
| 2 | 1610 | 1.962-10 | 2.500 | 5.219 | EY 5-4-4551 |
| 2 | 1610 | 1.989-30 | 3.000 | 6.000 | EY 5-4-5721 |
| 2 | 1610 | 2.364-36 | 3.000 | 6.000 | EY 5-4-7231X |
| 2 | 1610 | 1.989-30 | 3.000 | 6.000 | EY 5-4-7251X |
| 2 | 1710 | 2.364-36 | 3.000 | 5.438 | EY 6-4-5711 |
| 2 | 1710 | 2.364-36 | 3.000 | 6.500 | EY 6-4-5801 |
| | | | | | <i>High angle yoke</i> |
| 2 | 1710 | 2.364-36 | 3.000 | 5.438 | EY 6-4-7191X |
| 2 | 1710 | 1.989-30 | 3.000 | 6.280 | EY 6-4-7231X |
| | | | | | <i>High angle yoke</i> |
| 2 | 1710 | 2.364-36 | 3.000 | 6.500 | EY 6-4-7241X |
| | | | | | <i>High angle yoke</i> |
| 2 | 1710 | 2.364-36 | 3.000 | 5.438 | EY 6-4-8701-1X |
| 2 | 1810 | 2.364-36 | 3.000 | 5.438 | EY 6.5-4-3161 |
| 2 | 1810 | 2.364-36 | 3.000 | 5.438 | EY 6.5-4-3651X |
| 2 | 1810 | 2.364-36 | 3.000 | 5.438 | EY 6.5-4-4421-1X |
| 3 | 1610 | 1.962-10 | 3.000 | 5.375 | EY 5-4-4541 |
| 3 | 1610 | 2.114-32 | 3.000 | 6.000 | EY 5-4-5731 |
| 3 | 1610 | 2.114-32 | 3.000 | 5.375 | EY 5-4-5751 |

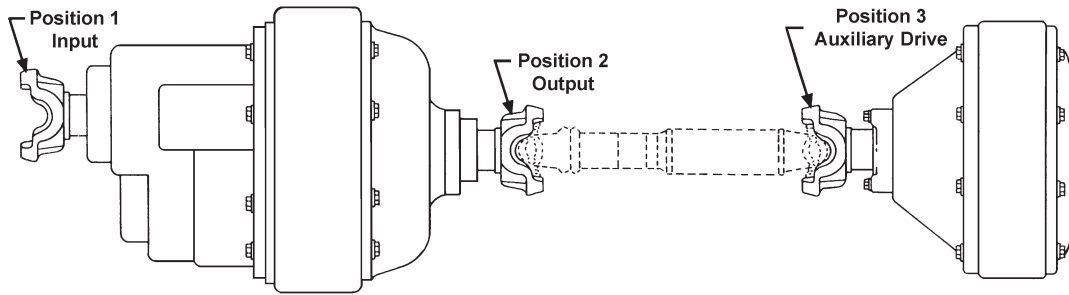
Continued on next page

*C/L to End of Hub for EY (End Yoke); Flange Face to End of Hub for CF (Companion Flange)

■ Hub machined for speedometer gear



Important: See Safety Information in General Information Section (J300P-GI)



| Pos | Series | Spline Data | Hub Dia | * to End of Hub | End Fitting Part Number |
|---------------------------|--------|-------------|---------|-----------------|-------------------------|
| RA-351 (Continued) | | | | | |
| 3 | 1610 | 2.114-32 | 3.000 | 6.000 | EY 5-4-7181X |
| 3 | 1610 | 2.114-32 | 3.000 | 5.375 | EY 5-4-7221X |
| 3 | 1610 | 2.114-32 | 3.000 | 5.375 | EY 5-4-8611-1X |
| 3 | 1710 | 1.964-10 | 3.000 | 4.562 | EY 6-4-3291 |
| 3 | 1710 | 2.114-32 | 3.000 | 6.250 | EY 6-4-5791 |
| | | | | | <i>High angle yoke</i> |
| 3 | 1710 | 2.114-32 | 3.000 | 4.562 | EY 6-4-5811 |
| 3 | 1710 | 2.114-32 | 3.000 | 6.250 | EY 6-4-7171X |
| | | | | | <i>High angle yoke</i> |
| 3 | 1710 | 2.114-32 | 3.000 | 4.562 | EY 6-4-7221X |
| 3 | 1710 | 2.114-32 | 3.000 | 4.562 | EY 6-4-8681-1X |

| Pos | Series | Spline Data | Hub Dia | * to End of Hub | End Fitting Part Number |
|---------------------------|--------|-------------|---------|-----------------|-------------------------|
| RA-355 (Continued) | | | | | |
| 2 | 1810 | 2.364-36 | 3.000 | 5.438 | EY 6.5-4-3161 |
| 2 | 1810 | 2.364-36 | 3.000 | 5.438 | EY 6.5-4-3651X |
| 2 | 1810 | 2.364-36 | 3.000 | 5.438 | EY 6.5-4-4421-1X |
| 3 | 1710 | 1.964-10 | 3.000 | 4.562 | EY 6-4-3291 |
| 3 | 1710 | 2.114-32 | 3.000 | 6.250 | EY 6-4-5791 |
| | | | | | <i>High angle yoke</i> |
| 3 | 1710 | 2.114-32 | 3.000 | 4.562 | EY 6-4-5811 |
| 3 | 1710 | 2.114-32 | 3.000 | 6.250 | EY 6-4-7171X |
| | | | | | <i>High angle yoke</i> |
| 3 | 1710 | 2.114-32 | 3.000 | 4.562 | EY 6-4-7221X |
| 3 | 1710 | 2.114-32 | 3.000 | 4.562 | EY 6-4-8681-1X |

| Pos | Series | Spline Data | Hub Dia | * to End of Hub | End Fitting Part Number |
|---------------|--------|-------------|---------|-----------------|-------------------------|
| RA-355 | | | | | |
| 1 | 1550 | 2.364-36 | 3.000 | 5.078 | EY 4-4-7111-1X |
| 1 | 1610 | 1.939-30 | 3.000 | 4.750 | EY 5-4-4391 |
| 1 | 1610 | 2.364-36 | 3.000 | 5.156 | EY 5-4-5631 |
| 1 | 1610 | 2.364-36 | 3.000 | 5.156 | EY 5-4-7201X |
| 1 | 1610 | 2.364-36 | 3.000 | 5.156 | EY 5-4-7211X |
| 1 | 1610 | 2.364-36 | 3.000 | 5.156 | EY 5-4-8631-1X |
| 1 | 1610 | 2.364-36 | 3.000 | 5.156 | EY 5-4-8651-1X |
| 1 | 1710 | 1.939-30 | 3.000 | 4.562 | EY 6-4-4371 |
| 1 | 1710 | 2.364-36 | 3.000 | 5.438 | EY 6-4-5711 |
| 1 | 1710 | 2.364-36 | 3.000 | 5.438 | EY 6-4-7191X |
| 1 | 1710 | 2.364-36 | 3.000 | 5.438 | EY 6-4-7211X |
| 1 | 1710 | 2.364-36 | 3.000 | 5.438 | EY 6-4-8701-1X |
| 1 | 1710 | 2.364-36 | 3.000 | 5.438 | EY 6-4-8721-1X |
| 1 | 1760 | 2.364-36 | 3.000 | 5.438 | EY 6.3-4-1551-1 |
| 1 | 1760 | 2.364-36 | 3.000 | 5.438 | EY 6.3-4-1561-1X |
| 1 | 1760 | 1.939-30 | 3.000 | 5.250 | EY 6.3-4-431 |
| 1 | 1760 | 2.364-36 | 3.000 | 5.438 | EY 6.3-4-851X |
| 1 | 1810 | 1.939-30 | 3.000 | 5.375 | EY 6.5-4-2051 |
| 1 | 1810 | 2.364-36 | 3.000 | 5.438 | EY 6.5-4-3161 |
| 1 | 1810 | 2.364-36 | 3.000 | 5.438 | EY 6.5-4-3651X |
| 1 | 1810 | 2.364-36 | 3.000 | 5.438 | EY 6.5-4-4421-1X |
| 1 | 1810 | 2.364-36 | 3.000 | 5.438 | EY 6.5-4-4441-1X |
| 2 | 1480 | 1.964-10 | 2.500 | 4.688 | EY 3-4-4211 |
| 2 | 1610 | 1.962-10 | 2.500 | 5.219 | EY 5-4-4551 |
| 2 | 1610 | 1.989-30 | 3.000 | 6.000 | EY 5-4-5721 |
| 2 | 1610 | 2.364-36 | 3.000 | 6.000 | EY 5-4-7231X |
| 2 | 1610 | 1.989-30 | 3.000 | 6.000 | EY 5-4-7251X |
| 2 | 1710 | 2.364-36 | 3.000 | 5.438 | EY 6-4-5711 |
| 2 | 1710 | 2.364-36 | 3.000 | 6.500 | EY 6-4-5801 |
| | | | | | <i>High angle yoke</i> |
| 2 | 1710 | 2.364-36 | 3.000 | 5.438 | EY 6-4-7191X |
| 2 | 1710 | 1.989-30 | 3.000 | 6.280 | EY 6-4-7231X |
| | | | | | <i>High angle yoke</i> |
| 2 | 1710 | 2.364-36 | 3.000 | 6.500 | EY 6-4-7241X |
| | | | | | <i>High angle yoke</i> |
| 2 | 1710 | 2.364-36 | 3.000 | 5.438 | EY 6-4-8701-1X |

| Pos | Series | Spline Data | Hub Dia | * to End of Hub | End Fitting Part Number |
|-------------------------------|--------|-------------|---------|-----------------|-------------------------|
| RA-386, RA-387, RA-471 | | | | | |
| 1 | 1550 | 2.364-36 | 3.000 | 5.078 | EY 4-4-7111-1X |
| 1 | 1610 | 1.939-30 | 3.000 | 4.750 | EY 5-4-4391 |
| 1 | 1610 | 2.364-36 | 3.000 | 5.156 | EY 5-4-5631 |
| 1 | 1610 | 2.364-36 | 3.000 | 5.156 | EY 5-4-7201X |
| 1 | 1610 | 2.364-36 | 3.000 | 5.156 | EY 5-4-7211X |
| 1 | 1610 | 2.364-36 | 3.000 | 5.156 | EY 5-4-8631-1X |
| 1 | 1610 | 2.364-36 | 3.000 | 5.156 | EY 5-4-8651-1X |
| 1 | 1710 | 1.939-30 | 3.000 | 4.562 | EY 6-4-4371 |
| 1 | 1710 | 2.364-36 | 3.000 | 5.438 | EY 6-4-5711 |
| 1 | 1710 | 2.364-36 | 3.000 | 5.438 | EY 6-4-7191X |
| 1 | 1710 | 2.364-36 | 3.000 | 5.438 | EY 6-4-7211X |
| 1 | 1710 | 2.364-36 | 3.000 | 5.438 | EY 6-4-8701-1X |
| 1 | 1710 | 2.364-36 | 3.000 | 5.438 | EY 6-4-8721-1X |
| 1 | 1760 | 2.364-36 | 3.000 | 5.438 | EY 6.3-4-1551-1 |
| 1 | 1760 | 2.364-36 | 3.000 | 5.438 | EY 6.3-4-1561-1X |
| 1 | 1760 | 1.939-30 | 3.000 | 5.250 | EY 6.3-4-431 |
| 1 | 1760 | 2.364-36 | 3.000 | 5.438 | EY 6.3-4-851X |
| 1 | 1810 | 1.939-30 | 3.000 | 5.375 | EY 6.5-4-2051 |
| 1 | 1810 | 2.364-36 | 3.000 | 5.438 | EY 6.5-4-3161 |
| 1 | 1810 | 2.364-36 | 3.000 | 5.438 | EY 6.5-4-3651X |
| 1 | 1810 | 2.364-36 | 3.000 | 5.438 | EY 6.5-4-4421-1X |
| 1 | 1810 | 2.364-36 | 3.000 | 5.438 | EY 6.5-4-4441-1X |
| 2 | 1480 | 1.964-10 | 2.500 | 4.688 | EY 3-4-4211 |
| 2 | 1610 | 1.962-10 | 2.500 | 5.219 | EY 5-4-4551 |
| 2 | 1610 | 1.989-30 | 3.000 | 6.000 | EY 5-4-5721 |
| 2 | 1610 | 2.364-36 | 3.000 | 6.000 | EY 5-4-7231X |
| 2 | 1610 | 1.989-30 | 3.000 | 6.000 | EY 5-4-7251X |
| 2 | 1710 | 2.364-36 | 3.000 | 5.438 | EY 6-4-5711 |
| 2 | 1710 | 2.364-36 | 3.000 | 6.500 | EY 6-4-5801 |
| | | | | | <i>High angle yoke</i> |
| 2 | 1710 | 2.364-36 | 3.000 | 5.438 | EY 6-4-7191X |
| 2 | 1710 | 1.989-30 | 3.000 | 6.280 | EY 6-4-7231X |
| | | | | | <i>High angle yoke</i> |
| 2 | 1710 | 2.364-36 | 3.000 | 6.500 | EY 6-4-7241X |
| | | | | | <i>High angle yoke</i> |
| 2 | 1710 | 2.364-36 | 3.000 | 5.438 | EY 6-4-8701-1X |
| 2 | 1810 | 2.364-36 | 3.000 | 5.438 | EY 6.5-4-3161 |

*C/L to End of Hub for EY (End Yoke); Flange Face to End of Hub for CF (Companion Flange)

■ Hub machined for speedometer gear



| Pos | Series | Spline Data | Hub Dia | * to End of Hub | End Fitting Part Number |
|---|--------|-------------|---------|-----------------|--|
| RA-386, RA-387, RA-471 (Continued) | | | | | |
| 2 | 1810 | 2.364-36 | 3.000 | 5.438 | EY 6.5-4-3651X |
| 2 | 1810 | 2.364-36 | 3.000 | 5.438 | EY 6.5-4-4421-1X |
| 3 | 1610 | 1.962-10 | 3.000 | 5.375 | EY 5-4-4541 |
| 3 | 1610 | 2.114-32 | 3.000 | 6.000 | EY 5-4-5731 |
| 3 | 1610 | 2.114-32 | 3.000 | 5.375 | EY 5-4-5751 |
| 3 | 1610 | 2.114-32 | 3.000 | 6.000 | EY 5-4-7181X |
| 3 | 1610 | 2.114-32 | 3.000 | 5.375 | EY 5-4-7221X |
| 3 | 1610 | 2.114-32 | 3.000 | 5.375 | EY 5-4-8611-1X |
| 3 | 1710 | 1.964-10 | 3.000 | 4.562 | EY 6-4-3291 |
| 3 | 1710 | 2.114-32 | 3.000 | 6.250 | EY 6-4-5791 <i>High angle yoke</i> |
| 3 | 1710 | 2.114-32 | 3.000 | 4.562 | EY 6-4-5811 |
| 3 | 1710 | 2.114-32 | 3.000 | 6.250 | EY 6-4-7171X <i>High angle yoke</i> |
| 3 | 1710 | 2.114-32 | 3.000 | 4.562 | EY 6-4-7221X |
| 3 | 1710 | 2.114-32 | 3.000 | 4.562 | EY 6-4-8681-1X |

| Pos | Series | Spline Data | Hub Dia | * to End of Hub | End Fitting Part Number |
|-----------------------|--------|-------------|---------|-----------------|--|
| RA-472, RA-474 | | | | | |
| 1 | 1550 | 2.364-36 | 3.000 | 5.078 | EY 4-4-7111-1X |
| 1 | 1610 | 1.939-30 | 3.000 | 4.750 | EY 5-4-4391 |
| 1 | 1610 | 2.364-36 | 3.000 | 5.156 | EY 5-4-5631 |
| 1 | 1610 | 2.364-36 | 3.000 | 5.156 | EY 5-4-7201X |
| 1 | 1610 | 2.364-36 | 3.000 | 5.156 | EY 5-4-7211X |
| 1 | 1610 | 2.364-36 | 3.000 | 5.156 | EY 5-4-8631-1X |
| 1 | 1610 | 2.364-36 | 3.000 | 5.156 | EY 5-4-8651-1X |
| 1 | 1710 | 1.939-30 | 3.000 | 4.562 | EY 6-4-4371 |
| 1 | 1710 | 2.364-36 | 3.000 | 5.438 | EY 6-4-5711 |
| 1 | 1710 | 2.364-36 | 3.000 | 5.438 | EY 6-4-7191X |
| 1 | 1710 | 2.364-36 | 3.000 | 5.438 | EY 6-4-7211X |
| 1 | 1710 | 2.364-36 | 3.000 | 5.438 | EY 6-4-8701-1X |
| 1 | 1710 | 2.364-36 | 3.000 | 5.438 | EY 6-4-8721-1X |
| 1 | 1760 | 2.364-36 | 3.000 | 5.438 | EY 6.3-4-1551-1 |
| 1 | 1760 | 2.364-36 | 3.000 | 5.438 | EY 6.3-4-1561-1X |
| 1 | 1760 | 2.364-36 | 3.000 | 5.438 | EY 6.3-4-851X |
| 1 | 1810 | 1.939-30 | 3.000 | 5.375 | EY 6.5-4-2051 |
| 1 | 1810 | 2.364-36 | 3.000 | 5.438 | EY 6.5-4-3161 |
| 1 | 1810 | 2.364-36 | 3.000 | 5.438 | EY 6.5-4-3641X |
| 1 | 1810 | 2.364-36 | 3.000 | 5.438 | EY 6.5-4-3651X |
| 1 | 1810 | 2.364-36 | 3.000 | 5.438 | EY 6.5-4-4421-1X |
| 1 | 1810 | 2.364-36 | 3.000 | 5.438 | EY 6.5-4-4441-1X |
| 2 | 1480 | 1.964-10 | 2.500 | 4.688 | EY 3-4-4211 |
| 2 | 1610 | 1.962-10 | 2.500 | 5.219 | EY 5-4-4551 |
| 2 | 1610 | 1.989-30 | 3.000 | 6.000 | EY 5-4-5721 |
| 2 | 1610 | 2.364-36 | 3.000 | 6.000 | EY 5-4-7231X |
| 2 | 1610 | 1.989-30 | 3.000 | 6.000 | EY 5-4-7251X |
| 2 | 1610 | 1.989-30 | 3.000 | 6.000 | EY 5-4-8671-1X <i>High angle yoke</i> |
| 2 | 1710 | 2.364-36 | 3.000 | 5.438 | EY 6-4-5711 |
| 2 | 1710 | 2.364-36 | 3.000 | 6.500 | EY 6-4-5801 <i>High angle yoke</i> |
| 2 | 1710 | 2.364-36 | 3.000 | 5.438 | EY 6-4-7191X |
| 2 | 1710 | 1.989-30 | 3.000 | 6.280 | EY 6-4-7231X <i>High angle yoke</i> |
| 2 | 1710 | 2.364-36 | 3.000 | 6.500 | EY 6-4-7241X <i>High angle yoke</i> |
| 2 | 1710 | 2.364-36 | 3.000 | 5.438 | EY 6-4-8701-1X |
| 2 | 1810 | 2.364-36 | 3.000 | 5.438 | EY 6.5-4-3161 |
| 2 | 1810 | 2.364-36 | 3.000 | 5.438 | EY 6.5-4-3651X |
| 2 | 1810 | 2.364-36 | 3.000 | 5.438 | EY 6.5-4-4421-1X |
| 3 | 1610 | 1.962-10 | 3.000 | 5.375 | EY 5-4-4541 |

| Pos | Series | Spline Data | Hub Dia | * to End of Hub | End Fitting Part Number |
|-----------------------------------|--------|-------------|---------|-----------------|--|
| RA-472, RA-474 (Continued) | | | | | |
| 3 | 1610 | 2.114-32 | 3.000 | 6.000 | EY 5-4-5731 |
| 3 | 1610 | 2.114-32 | 3.000 | 5.375 | EY 5-4-5751 |
| 3 | 1610 | 2.114-32 | 3.000 | 6.000 | EY 5-4-7181X |
| 3 | 1610 | 2.114-32 | 3.000 | 5.375 | EY 5-4-7221X |
| 3 | 1610 | 2.114-32 | 3.000 | 5.375 | EY 5-4-8611-1X |
| 3 | 1710 | 1.964-10 | 3.000 | 4.562 | EY 6-4-3291 |
| 3 | 1710 | 2.114-32 | 3.000 | 6.250 | EY 6-4-5791 <i>High angle yoke</i> |
| 3 | 1710 | 2.114-32 | 3.000 | 4.562 | EY 6-4-5811 |
| 3 | 1710 | 2.114-32 | 3.000 | 6.250 | EY 6-4-7171X <i>High angle yoke</i> |
| 3 | 1710 | 2.114-32 | 3.000 | 4.562 | EY 6-4-7221X |
| 3 | 1710 | 2.114-32 | 3.000 | 4.562 | EY 6-4-8681-1X |
| RA-475, RA-476 | | | | | |
| 1 | 1760 | 2.364-36 | 3.000 | 5.438 | EY 6.3-4-1551-1 |
| 1 | 1810 | 2.364-36 | 3.000 | 5.438 | EY 6.5-4-3641X |

| Pos | Series | Spline Data | Hub Dia | * to End of Hub | End Fitting Part Number |
|-------------------------------|--------|-------------|---------|-----------------|-------------------------|
| 014ADB, 014ADC, 014ADD | | | | | |
| 1 | 1710 | 2.114-32 | 3.000 | 5.000 | EY 6.3-4-1511-1 |

| Pos | Series | Spline Data | Hub Dia | * to End of Hub | End Fitting Part Number |
|-------------------------------|--------|-------------|---------|-----------------|--|
| 014GDA, 014GDB, 014GDC | | | | | |
| 1 | 1550 | 2.114-32 | 3.000 | 4.312 | EY 4-4-7001-1X |
| 1 | 1610 | 2.114-32 | 3.000 | 5.375 | EY 5-4-5751 |
| 1 | 1610 | 2.114-32 | 3.000 | 5.375 | EY 5-4-7221X |
| 1 | 1610 | 2.114-32 | 3.000 | 5.375 | EY 5-4-8611-1X |
| 1 | 1710 | 2.114-32 | 3.000 | 5.000 | EY 6.3-4-1511-1 |
| 1 | 1710 | 2.114-32 | 3.000 | 4.562 | EY 6-4-5811 |
| 1 | 1710 | 2.114-32 | 3.000 | 6.250 | EY 6-4-7171X <i>High angle yoke</i> |
| 1 | 1710 | 2.114-32 | 3.000 | 4.562 | EY 6-4-7221X |
| 1 | 1710 | 2.114-32 | 3.000 | 4.562 | EY 6-4-8681-1X |
| 1 | 1760 | 2.114-32 | 3.000 | 5.000 | EY 6.3-4-1521-1X |
| 1 | 1810 | 2.114-32 | 3.000 | 5.000 | EY 6.5-4-4451-1 |
| 1 | 1810 | 2.114-32 | 3.000 | 5.000 | EY 6.5-4-4461-1X |
| 3 | 1550 | 2.114-32 | 3.000 | 4.312 | EY 4-4-7001-1X |
| 3 | 1610 | 2.114-32 | 3.000 | 5.375 | EY 5-4-5751 |
| 3 | 1610 | 2.114-32 | 3.000 | 5.375 | EY 5-4-7221X |
| 3 | 1610 | 2.114-32 | 3.000 | 5.375 | EY 5-4-8611-1X |
| 3 | 1710 | 2.114-32 | 3.000 | 6.250 | EY 6-4-7171X <i>High angle yoke</i> |
| 3 | 1710 | 2.114-32 | 3.000 | 4.562 | EY 6-4-7221X |
| 3 | 1710 | 2.114-32 | 3.000 | 4.562 | EY 6-4-8681-1X |
| 3 | 1760 | 2.114-32 | 3.000 | 5.000 | EY 6.3-4-1521-1X |

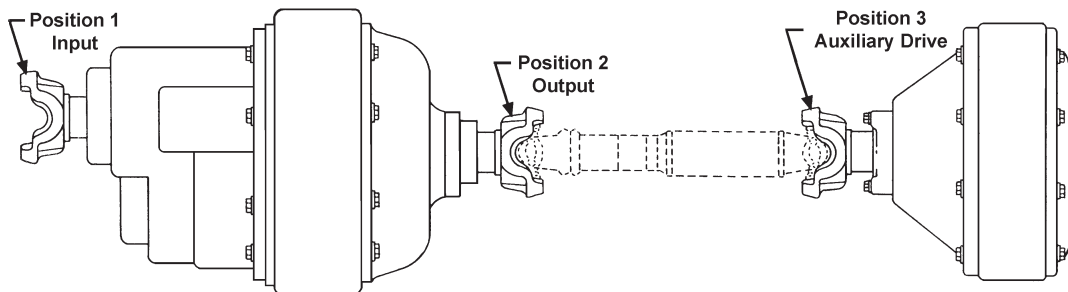
*C/L to End of Hub for EY (End Yoke); Flange Face to End of Hub for CF (Companion Flange)

■ Hub machined for speedometer gear



Important: See Safety Information in General Information Section (J300P-GI)

TANDEM AXLES



| Pos | Series | Spline Data | Hub Dia | * to End of Hub | End Fitting Part Number |
|-----|--------|-------------|---------|-----------------|-------------------------|
|-----|--------|-------------|---------|-----------------|-------------------------|

CRD-92

| | | | | | |
|---|--------|----------|-------|-------|--|
| 1 | SPL170 | 2.374-46 | 3.500 | 5.880 | EY 170-4-1211-1 |
| 1 | SPL170 | 2.374-46 | 3.500 | 5.880 | EY 170-4-1221-1X |
| 1 | SPL170 | 2.374-46 | 3.500 | 6.688 | EY 170-4-1281-1 <i>High angle yoke</i> |
| 1 | SPL170 | 2.374-46 | 3.500 | 6.688 | EY 170-4-1291-1X <i>High angle yoke</i> |
| 1 | SPL250 | 2.374-46 | 3.500 | 6.140 | EY 250-4-641-1 |
| 1 | SPL250 | 2.374-46 | 3.500 | 6.140 | EY 250-4-651-1X |
| 1 | SPL350 | 2.374-46 | 3.500 | 6.220 | EY 350-4-111-1X |
| 1 | 1710 | 2.374-46 | 3.500 | 5.156 | EY 6-4-5841 |
| 1 | 1710 | 2.374-46 | 3.500 | 5.156 | EY 6-4-5841-1 |
| 1 | 1710 | 2.024-39 | 2.750 | 5.000 | EY 6-4-5851-1 |
| 1 | 1710 | 2.374-46 | 3.500 | 5.156 | EY 6-4-8341-1X |
| 1 | 1710 | 2.374-46 | 3.500 | 5.156 | EY 6-4-8341X |
| 1 | 1710 | 2.374-46 | 3.500 | 5.840 | EY 6-4-8961-1X |
| 1 | 1760 | 2.374-46 | 3.500 | 5.375 | EY 6.3-4-1391-1X |
| 1 | 1760 | 2.374-46 | 3.500 | 5.375 | EY 6.3-4-1391X |
| 1 | 1760 | 2.374-46 | 3.500 | 5.375 | EY 6.3-4-391 |
| 1 | 1760 | 2.374-46 | 3.500 | 5.375 | EY 6.3-4-391-1 |
| 1 | 1810 | 2.374-46 | 3.500 | 5.406 | EY 6.5-4-3251 |
| 1 | 1810 | 2.374-46 | 3.500 | 5.406 | EY 6.5-4-3251-1 |
| 1 | 1810 | 2.374-46 | 3.500 | 5.406 | EY 6.5-4-4271-1X |
| 1 | 1810 | 2.374-46 | 3.500 | 5.406 | EY 6.5-4-4271X |
| 2 | SPL170 | 2.024-39 | 2.750 | 5.370 | EY 170-4-1251-1 <i>High angle yoke</i> |
| 2 | 1610 | 2.024-39 | 2.750 | 4.500 | EY 5-4-5881 <i>All suspensions except reyco and dayton</i> |
| 2 | 1710 | 2.024-39 | 2.750 | 5.000 | EY 6-4-5851 <i>All suspensions except reyco and dayton</i> |
| 2 | 1710 | 2.024-39 | 2.750 | 5.000 | EY 6-4-5851-1 <i>All suspensions except reyco and dayton</i> |
| 2 | 1710 | 2.024-39 | 2.750 | 5.875 | EY 6-4-6571 <i>Reyco and dayton suspensions only; High angle yoke</i> |
| 2 | 1710 | 2.024-39 | 2.750 | 5.875 | EY 6-4-6571-1 <i>Reyco and dayton suspensions only; High angle yoke</i> |
| 2 | 1760 | 2.032-10 | 2.750 | 5.000 | EY 6.3-4-421 <i>All suspensions except reyco and dayton</i> |
| 2 | 1810 | 2.024-39 | 2.750 | 5.188 | EY 6.5-4-3261 <i>All suspensions except reyco and dayton</i> |
| 2 | 1810 | 2.024-39 | 2.750 | 5.188 | EY 6.5-4-3261-1 <i>All suspensions except reyco and dayton</i> |
| 3 | SPL170 | 2.024-39 | 2.750 | 5.370 | EY 170-4-1251-1 <i>High angle yoke</i> |
| 3 | SPL170 | 2.024-39 | 2.750 | 5.370 | EY 170-4-1261-1X <i>High angle yoke</i> |
| 3 | 1610 | 2.024-39 | 2.750 | 4.500 | EY 5-4-5881 <i>All suspensions except reyco and dayton</i> |
| 3 | 1710 | 2.024-39 | 2.750 | 5.000 | EY 6-4-5851 <i>All suspensions except reyco and dayton</i> |
| 3 | 1710 | 2.024-39 | 2.750 | 5.000 | EY 6-4-5851-1 <i>All suspensions except reyco and dayton</i> |

| Pos | Series | Spline Data | Hub Dia | * to End of Hub | End Fitting Part Number |
|-----|--------|-------------|---------|-----------------|-------------------------|
|-----|--------|-------------|---------|-----------------|-------------------------|

CRD-92 (Continued)

| | | | | | |
|---|------|----------|-------|-------|--|
| 3 | 1710 | 2.024-39 | 2.750 | 5.875 | EY 6-4-6571 <i>All suspensions except reyco and dayton; High angle yoke</i> |
| 3 | 1710 | 2.024-39 | 2.750 | 5.875 | EY 6-4-6571-1 <i>All suspensions except reyco and dayton; High angle yoke</i> |
| 3 | 1710 | 2.024-39 | 2.750 | 5.000 | EY 6-4-8331-1X <i>All suspensions except reyco and dayton</i> |
| 3 | 1710 | 2.024-39 | 2.750 | 5.000 | EY 6-4-8331X <i>All suspensions except reyco and dayton</i> |
| 3 | 1710 | 2.024-39 | 2.750 | 5.875 | EY 6-4-8361-1X <i>Reyco and dayton suspensions only; High angle yoke</i> |
| 3 | 1710 | 2.024-39 | 2.750 | 5.875 | EY 6-4-8361X <i>Reyco and dayton suspensions only; High angle yoke</i> |
| 3 | 1760 | 2.032-10 | 2.750 | 5.000 | EY 6.3-4-1261X <i>All suspensions except reyco and dayton</i> |
| 3 | 1760 | 2.032-10 | 2.750 | 5.000 | EY 6.3-4-421 <i>All suspensions except reyco and dayton</i> |
| 3 | 1810 | 2.024-39 | 2.750 | 5.188 | EY 6.5-4-3261 <i>All suspensions except reyco and dayton</i> |
| 3 | 1810 | 2.024-39 | 2.750 | 5.188 | EY 6.5-4-3261-1 <i>All suspensions except reyco and dayton</i> |
| 3 | 1810 | 2.024-39 | 2.750 | 5.188 | EY 6.5-4-4281-1X <i>All suspensions except reyco and dayton</i> |
| 3 | 1810 | 2.024-39 | 2.750 | 5.188 | EY 6.5-4-4281X <i>All suspensions except reyco and dayton</i> |

CRD-93

| | | | | | |
|---|--------|----------|-------|-------|--|
| 1 | SPL170 | 2.374-46 | 3.500 | 5.880 | EY 170-4-1211-1 |
| 1 | SPL170 | 2.374-46 | 3.500 | 5.880 | EY 170-4-1221-1X |
| 1 | SPL170 | 2.024-39 | 2.750 | 5.370 | EY 170-4-1251-1 <i>High angle yoke</i> |
| 1 | SPL170 | 2.374-46 | 3.500 | 6.688 | EY 170-4-1281-1 <i>High angle yoke</i> |
| 1 | SPL170 | 2.374-46 | 3.500 | 6.688 | EY 170-4-1291-1X <i>High angle yoke</i> |
| 1 | SPL250 | 2.374-46 | 3.500 | 6.140 | EY 250-4-641-1 |
| 1 | SPL250 | 2.374-46 | 3.500 | 6.140 | EY 250-4-651-1X |
| 1 | SPL350 | 2.374-46 | 3.500 | 6.220 | EY 350-4-111-1X |
| 1 | 1710 | 2.374-46 | 3.500 | 5.156 | EY 6-4-5841 |
| 1 | 1710 | 2.374-46 | 3.500 | 5.156 | EY 6-4-5841-1 |
| 1 | 1710 | 2.024-39 | 2.750 | 5.000 | EY 6-4-5851-1 |
| 1 | 1710 | 2.374-46 | 3.500 | 5.156 | EY 6-4-8341-1X |
| 1 | 1710 | 2.374-46 | 3.500 | 5.156 | EY 6-4-8341X |
| 1 | 1710 | 2.374-46 | 3.500 | 5.840 | EY 6-4-8951-1 |
| 1 | 1710 | 2.374-46 | 3.500 | 5.840 | EY 6-4-8961-1X |
| 1 | 1760 | 2.374-46 | 3.500 | 5.375 | EY 6.3-4-1391-1X |
| 1 | 1760 | 2.374-46 | 3.500 | 5.375 | EY 6.3-4-1391X |
| 1 | 1760 | 2.374-46 | 3.500 | 5.375 | EY 6.3-4-391 |
| 1 | 1760 | 2.374-46 | 3.500 | 5.375 | EY 6.3-4-391-1 |
| 1 | 1810 | 2.374-46 | 3.500 | 5.406 | EY 6.5-4-3251 |
| 1 | 1810 | 2.374-46 | 3.500 | 5.406 | EY 6.5-4-3251-1 |
| 1 | 1810 | 2.374-46 | 3.500 | 5.406 | EY 6.5-4-4271-1X |

*C/L to End of Hub for EY (End Yoke); Flange Face to End of Hub for CF (Companion Flange)

■ Hub machined for speedometer gear



| Pos | Series | Spline Data | Hub Dia | * to End of Hub | End Fitting Part Number |
|---------------------------|--------|-------------|---------|-----------------|--|
| CRD-93 (Continued) | | | | | |
| 1 | 1810 | 2.374-46 | 3.500 | 5.406 | EY 6.5-4-4271X |
| 2 | SPL170 | 2.024-39 | 2.750 | 5.370 | EY 170-4-1251-1 <i>High angle yoke</i> |
| 2 | 1610 | 2.024-39 | 2.750 | 4.500 | EY 5-4-5881 <i>All suspensions except reyco and dayton</i> |
| 2 | 1710 | 2.024-39 | 2.750 | 5.000 | EY 6-4-5851 <i>All suspensions except reyco and dayton</i> |
| 2 | 1710 | 2.024-39 | 2.750 | 5.000 | EY 6-4-5851-1 <i>All suspensions except reyco and dayton</i> |
| 2 | 1710 | 2.024-39 | 2.750 | 5.875 | EY 6-4-6571 <i>Reyco and dayton suspensions only; High angle yoke</i> |
| 2 | 1710 | 2.024-39 | 2.750 | 5.875 | EY 6-4-6571-1 <i>Reyco and dayton suspensions only; High angle yoke</i> |
| 2 | 1760 | 2.032-10 | 2.750 | 5.000 | EY 6.3-4-421 <i>All suspensions except reyco and dayton</i> |
| 2 | 1810 | 2.024-39 | 2.750 | 5.188 | EY 6.5-4-3261 <i>All suspensions except reyco and dayton</i> |
| 2 | 1810 | 2.024-39 | 2.750 | 5.188 | EY 6.5-4-3261-1 <i>All suspensions except reyco and dayton</i> |
| 3 | SPL170 | 2.024-39 | 2.750 | 5.370 | EY 170-4-1251-1 <i>High angle yoke</i> |
| 3 | SPL170 | 2.024-39 | 2.750 | 5.370 | EY 170-4-1261-1X <i>High angle yoke</i> |
| 3 | 1610 | 2.024-39 | 2.750 | 4.500 | EY 5-4-5881 <i>All suspensions except reyco and dayton</i> |
| 3 | 1710 | 2.024-39 | 2.750 | 5.000 | EY 6-4-5851 <i>All suspensions except reyco and dayton</i> |
| 3 | 1710 | 2.024-39 | 2.750 | 5.000 | EY 6-4-5851-1 <i>All suspensions except reyco and dayton</i> |
| 3 | 1710 | 2.024-39 | 2.750 | 5.875 | EY 6-4-6571 <i>All suspensions except reyco and dayton; High angle yoke</i> |
| 3 | 1710 | 2.024-39 | 2.750 | 5.875 | EY 6-4-6571-1 <i>All suspensions except reyco and dayton; High angle yoke</i> |
| 3 | 1710 | 2.024-39 | 2.750 | 5.000 | EY 6-4-8331-1X <i>All suspensions except reyco and dayton</i> |
| 3 | 1710 | 2.024-39 | 2.750 | 5.000 | EY 6-4-8331X <i>All suspensions except reyco and dayton</i> |
| 3 | 1710 | 2.024-39 | 2.750 | 5.875 | EY 6-4-8361-1X <i>Reyco and dayton suspensions only; High angle yoke</i> |
| 3 | 1710 | 2.024-39 | 2.750 | 5.875 | EY 6-4-8361X <i>Reyco and dayton suspensions only; High angle yoke</i> |
| 3 | 1760 | 2.032-10 | 2.750 | 5.000 | EY 6.3-4-421 <i>All suspensions except reyco and dayton</i> |
| 3 | 1810 | 2.024-39 | 2.750 | 5.188 | EY 6.5-4-3261 <i>All suspensions except reyco and dayton</i> |
| 3 | 1810 | 2.024-39 | 2.750 | 5.188 | EY 6.5-4-3261-1 <i>All suspensions except reyco and dayton</i> |
| 3 | 1810 | 2.024-39 | 2.750 | 5.188 | EY 6.5-4-4281-1X <i>All suspensions except reyco and dayton</i> |
| 3 | 1810 | 2.024-39 | 2.750 | 5.188 | EY 6.5-4-4281X <i>All suspensions except reyco and dayton</i> |

| Pos | Series | Spline Data | Hub Dia | * to End of Hub | End Fitting Part Number |
|---------------|--------|-------------|---------|-----------------|-------------------------|
| CRD-95 | | | | | |
| 1 | SPL170 | 2.500-10 | 3.500 | 5.188 | EY 170-4-1341-1 |
| 1 | SPL170 | 2.500-10 | 3.500 | 5.188 | EY 170-4-1351-1X |
| 1 | SPL250 | 2.500-10 | 3.500 | 5.500 | EY 250-4-701-1 |
| 1 | SPL250 | 2.500-10 | 3.500 | 5.500 | EY 250-4-711-1X |
| 1 | 1710 | 2.500-10 | 3.500 | 5.156 | EY 6-4-4421 |
| 1 | 1710 | 2.500-10 | 3.500 | 5.156 | EY 6-4-4421-1 |
| 1 | 1710 | 2.500-10 | 3.500 | 5.156 | EY 6-4-8351-1X |
| 1 | 1710 | 2.374-46 | 3.500 | 5.840 | EY 6-4-8951-1 |
| 1 | 1710 | 2.374-46 | 3.500 | 5.840 | EY 6-4-8961-1X |
| 1 | 1760 | 2.500-10 | 3.500 | 5.406 | EY 6.3-4-1401-1X |
| 1 | 1760 | 2.500-10 | 3.500 | 5.406 | EY 6.3-4-1401X |

| Pos | Series | Spline Data | Hub Dia | * to End of Hub | End Fitting Part Number |
|---------------------------|--------|-------------|---------|-----------------|-------------------------|
| CRD-95 (Continued) | | | | | |
| 1 | 1760 | 2.500-10 | 3.500 | 5.406 | EY 6.3-4-151 |
| 1 | 1760 | 2.500-10 | 3.500 | 5.406 | EY 6.3-4-151-1 |
| 1 | 1810 | 2.500-10 | 3.500 | 5.406 | EY 6.5-4-2101 |
| 1 | 1810 | 2.500-10 | 3.500 | 5.406 | EY 6.5-4-2101-1 |
| 1 | 1810 | 2.500-10 | 3.500 | 5.406 | EY 6.5-4-4291-1X |
| 1 | 1810 | 2.500-10 | 3.500 | 5.406 | EY 6.5-4-4291X |
| 2 | SPL170 | 2.250-10 | 3.312 | 5.620 | EY 170-4-1301-1 |
| 2 | 1710 | 2.250-10 | 3.312 | 5.297 | EY 6-4-8271-1 |
| 2 | 1710 | 2.250-10 | 3.312 | 5.297 | EY 6-4-8281-1X |
| 3 | SPL170 | 2.250-10 | 3.312 | 5.620 | EY 170-4-1301-1 |
| 3 | SPL170 | 2.250-10 | 3.312 | 5.620 | EY 170-4-1311-1X |

| Pos | Series | Spline Data | Hub Dia | * to End of Hub | End Fitting Part Number |
|---------------|--------|-------------|---------|-----------------|--|
| CRD-96 | | | | | |
| 1 | SPL170 | 2.500-10 | 3.500 | 5.188 | EY 170-4-1341-1 |
| 1 | SPL170 | 2.500-10 | 3.500 | 5.188 | EY 170-4-1351-1X |
| 1 | SPL250 | 2.500-10 | 3.500 | 5.500 | EY 250-4-701-1 |
| 1 | SPL250 | 2.500-10 | 3.500 | 5.500 | EY 250-4-711-1X |
| 1 | 1710 | 2.500-10 | 3.500 | 5.156 | EY 6-4-4421 |
| 1 | 1710 | 2.500-10 | 3.500 | 5.156 | EY 6-4-4421-1 |
| 1 | 1710 | 2.500-10 | 3.500 | 5.156 | EY 6-4-8351-1X |
| 1 | 1710 | 2.374-46 | 3.500 | 5.840 | EY 6-4-8951-1 |
| 1 | 1710 | 2.374-46 | 3.500 | 5.840 | EY 6-4-8961-1X |
| 1 | 1760 | 2.500-10 | 3.500 | 5.406 | EY 6.3-4-1401-1X |
| 1 | 1760 | 2.500-10 | 3.500 | 5.406 | EY 6.3-4-1401X |
| 1 | 1760 | 2.500-10 | 3.500 | 5.406 | EY 6.3-4-151 |
| 1 | 1760 | 2.500-10 | 3.500 | 5.406 | EY 6.3-4-151-1 |
| 1 | 1810 | 2.500-10 | 3.500 | 5.406 | EY 6.5-4-2101 |
| 1 | 1810 | 2.500-10 | 3.500 | 5.406 | EY 6.5-4-2101-1 |
| 1 | 1810 | 2.500-10 | 3.500 | 5.406 | EY 6.5-4-4291-1X |
| 1 | 1810 | 2.500-10 | 3.500 | 5.406 | EY 6.5-4-4291X |
| 2 | SPL170 | 2.250-10 | 3.312 | 5.620 | EY 170-4-1301-1 |
| 2 | 1710 | 2.250-10 | 3.312 | 5.297 | EY 6-4-8271-1 |
| 2 | 1710 | 2.250-10 | 3.312 | 5.297 | EY 6-4-8281-1X |
| 2 | 1810 | 2.500-10 | 3.500 | 5.406 | EY 6.5-4-4261-1X <i>All suspensions except reyco and dayton</i> |
| 3 | SPL170 | 2.250-10 | 3.312 | 5.620 | EY 170-4-1311-1X |
| 3 | 1710 | 2.250-10 | 3.312 | 5.297 | EY 6-4-8281-1X <i>All suspensions except reyco and dayton</i> |
| 3 | 1810 | 2.250-10 | 3.312 | 5.375 | EY 6.5-4-4241-1X <i>All suspensions except reyco and dayton</i> |

| Pos | Series | Spline Data | Hub Dia | * to End of Hub | End Fitting Part Number |
|----------------|--------|-------------|---------|-----------------|-------------------------|
| CRD-112 | | | | | |
| 1 | 1710 | 2.024-39 | 2.750 | 5.000 | EY 6-4-5851-1 |
| 1 | 1710 | 2.374-46 | 3.500 | 5.840 | EY 6-4-8961-1X |
| 1 | 1760 | 2.374-46 | 3.500 | 5.375 | EY 6.3-4-1391-1X |
| 1 | 1760 | 2.374-46 | 3.500 | 5.375 | EY 6.3-4-1391X |
| 1 | 1760 | 2.374-46 | 3.500 | 5.375 | EY 6.3-4-391 |
| 1 | 1760 | 2.374-46 | 3.500 | 5.375 | EY 6.3-4-391-1 |
| 1 | 1810 | 2.374-46 | 3.500 | 5.406 | EY 6.5-4-3251 |
| 1 | 1810 | 2.374-46 | 3.500 | 5.406 | EY 6.5-4-3251-1 |
| 3 | 1710 | 2.024-39 | 2.750 | 5.000 | EY 6-4-5851-1 |

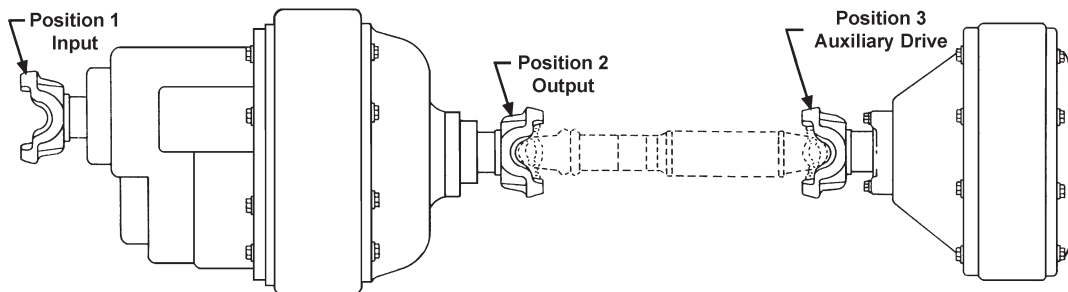
| Pos | Series | Spline Data | Hub Dia | * to End of Hub | End Fitting Part Number |
|----------------|--------|-------------|---------|-----------------|-------------------------|
| CRD-113 | | | | | |
| 1 | SPL170 | 2.374-46 | 3.500 | 5.880 | EY 170-4-1211-1 |
| 1 | SPL170 | 2.374-46 | 3.500 | 5.880 | EY 170-4-1221-1X |
| 1 | SPL250 | 2.374-46 | 3.500 | 6.140 | EY 250-4-641-1 |
| 1 | SPL250 | 2.374-46 | 3.500 | 6.140 | EY 250-4-651-1X |
| 1 | 1710 | 2.374-46 | 3.500 | 5.156 | EY 6-4-8341-1X |
| 1 | 1710 | 2.374-46 | 3.500 | 5.840 | EY 6-4-8951-1 |

Continued on next page

*C/L to End of Hub for EY (End Yoke); Flange Face to End of Hub for CF (Companion Flange)
 ■ Hub machined for speedometer gear



TANDEM AXLES



| Pos | Series | Spline Data | Hub Dia | * to End of Hub | End Fitting Part Number |
|-----|--------|-------------|---------|-----------------|-------------------------|
|-----|--------|-------------|---------|-----------------|-------------------------|

CRD-113 (Continued)

| | | | | | |
|---|--------|----------|-------|-------|---|
| 1 | 1710 | 2.374-46 | 3.500 | 5.840 | EY 6-4-8961-1X |
| 1 | 1760 | 2.374-46 | 3.500 | 5.375 | EY 6.3-4-1391-1X |
| 1 | 1760 | 2.374-46 | 3.500 | 5.375 | EY 6.3-4-1391X |
| 1 | 1810 | 2.374-46 | 3.500 | 5.406 | EY 6.5-4-4271-1X |
| 2 | SPL170 | 2.024-39 | 2.750 | 5.370 | EY 170-4-1251-1 <i>High angle yoke</i> |
| 2 | 1710 | 2.024-39 | 2.750 | 5.875 | EY 6-4-6571 <i>Reyco and dayton suspensions only; High angle yoke</i> |
| 2 | 1710 | 2.024-39 | 2.750 | 5.875 | EY 6-4-6571-1 <i>Reyco and dayton suspensions only; High angle yoke</i> |
| 2 | 1810 | 2.024-39 | 2.750 | 5.188 | EY 6.5-4-3261 <i>All suspensions except reyco and dayton</i> |
| 2 | 1810 | 2.024-39 | 2.750 | 5.188 | EY 6.5-4-3261-1 <i>All suspensions except reyco and dayton</i> |
| 3 | SPL170 | 2.024-39 | 2.750 | 5.370 | EY 170-4-1251-1 <i>High angle yoke</i> |
| 3 | SPL170 | 2.024-39 | 2.750 | 5.370 | EY 170-4-1261-1X <i>High angle yoke</i> |
| 3 | 1710 | 2.024-39 | 2.750 | 5.000 | EY 6-4-8331-1X <i>All suspensions except reyco and dayton</i> |
| 3 | 1710 | 2.024-39 | 2.750 | 5.000 | EY 6-4-8331X <i>All suspensions except reyco and dayton</i> |
| 3 | 1710 | 2.024-39 | 2.750 | 5.875 | EY 6-4-8361-1X <i>Reyco and dayton suspensions only; High angle yoke</i> |
| 3 | 1710 | 2.024-39 | 2.750 | 5.875 | EY 6-4-8361X <i>Reyco and dayton suspensions only; High angle yoke</i> |
| 3 | 1810 | 2.024-39 | 2.750 | 5.188 | EY 6.5-4-4281-1X <i>All suspensions except reyco and dayton</i> |

CRD-150, CRD-151

| | | | | | |
|---|--------|----------|-------|-------|------------------|
| 1 | SPL350 | 2.374-46 | 3.500 | 6.220 | EY 350-4-111-1X |
| 3 | SPL170 | 2.750-43 | 3.750 | 5.929 | EY 170-4-1931-1X |
| 3 | SPL250 | 2.750-43 | 3.750 | 5.500 | EY 250-4-1061-1X |
| 3 | 1710 | 2.750-43 | 3.750 | 5.929 | EY 6-4-10351-1X |
| 3 | 1710 | 2.750-43 | 3.750 | 5.929 | EY 6-4-10351X |

CRD-200

| | | | | | |
|---|--------|----------|-------|-------|--|
| 1 | SPL170 | 2.374-46 | 3.500 | 5.880 | EY 170-4-1211-1 |
| 1 | SPL170 | 2.374-46 | 3.500 | 5.880 | EY 170-4-1221-1X |
| 1 | SPL170 | 2.374-46 | 3.500 | 6.688 | EY 170-4-1281-1 <i>High angle yoke</i> |
| 1 | SPL170 | 2.374-46 | 3.500 | 6.688 | EY 170-4-1291-1X <i>High angle yoke</i> |
| 1 | SPL250 | 2.374-46 | 3.500 | 6.140 | EY 250-4-641-1 |
| 1 | SPL250 | 2.374-46 | 3.500 | 6.140 | EY 250-4-651-1X |
| 1 | 1710 | 2.374-46 | 3.500 | 5.156 | EY 6-4-5841 |
| 1 | 1710 | 2.374-46 | 3.500 | 5.156 | EY 6-4-5841-1 |
| 1 | 1710 | 2.374-46 | 3.500 | 5.156 | EY 6-4-8341-1X |
| 1 | 1710 | 2.374-46 | 3.500 | 5.156 | EY 6-4-8341X |
| 1 | 1760 | 2.374-46 | 3.500 | 5.375 | EY 6.3-4-1391-1X |
| 1 | 1760 | 2.374-46 | 3.500 | 5.375 | EY 6.3-4-1391X |
| 1 | 1760 | 2.374-46 | 3.500 | 5.375 | EY 6.3-4-391 |

| Pos | Series | Spline Data | Hub Dia | * to End of Hub | End Fitting Part Number |
|-----|--------|-------------|---------|-----------------|-------------------------|
|-----|--------|-------------|---------|-----------------|-------------------------|

CRD-200 (Continued)

| | | | | | |
|---|--------|----------|-------|-------|--|
| 1 | 1760 | 2.374-46 | 3.500 | 5.375 | EY 6.3-4-391-1 |
| 1 | 1810 | 2.374-46 | 3.500 | 5.406 | EY 6.5-4-3251 |
| 1 | 1810 | 2.374-46 | 3.500 | 5.406 | EY 6.5-4-3251-1 |
| 1 | 1810 | 2.374-46 | 3.500 | 5.406 | EY 6.5-4-4271-1X |
| 1 | 1810 | 2.374-46 | 3.500 | 5.406 | EY 6.5-4-4271X |
| 2 | SPL170 | 2.024-39 | 2.750 | 5.370 | EY 170-4-1251-1 <i>All suspensions except reyco and dayton; High angle yoke</i> |
| 2 | 1610 | 2.024-39 | 2.750 | 4.500 | EY 5-4-5881 <i>All suspensions except reyco and dayton</i> |
| 2 | 1710 | 2.024-39 | 2.750 | 5.000 | EY 6-4-5851 <i>All suspensions except reyco and dayton</i> |
| 2 | 1710 | 2.024-39 | 2.750 | 5.000 | EY 6-4-5851-1 <i>All suspensions except reyco and dayton</i> |
| 2 | 1710 | 2.024-39 | 2.750 | 5.875 | EY 6-4-6571 <i>All suspensions except reyco and dayton; High angle yoke</i> |
| 2 | 1710 | 2.024-39 | 2.750 | 5.875 | EY 6-4-6571-1 <i>All suspensions except reyco and dayton; High angle yoke</i> |
| 2 | 1760 | 2.032-10 | 2.750 | 5.000 | EY 6.3-4-421 <i>All suspensions except reyco and dayton</i> |
| 2 | 1810 | 2.024-39 | 2.750 | 5.188 | EY 6.5-4-3261 <i>All suspensions except reyco and dayton</i> |
| 2 | 1810 | 2.024-39 | 2.750 | 5.188 | EY 6.5-4-3261-1 <i>All suspensions except reyco and dayton</i> |
| 3 | SPL170 | 2.374-46 | 3.500 | 5.880 | EY 170-4-1211-1 |
| 3 | SPL170 | 2.374-46 | 3.500 | 5.880 | EY 170-4-1221-1X |
| 3 | SPL170 | 2.374-46 | 3.500 | 6.688 | EY 170-4-1281-1 <i>High angle yoke</i> |
| 3 | SPL170 | 2.374-46 | 3.500 | 6.688 | EY 170-4-1291-1X <i>High angle yoke</i> |
| 3 | SPL250 | 2.374-46 | 3.500 | 6.140 | EY 250-4-641-1 |
| 3 | SPL250 | 2.374-46 | 3.500 | 6.140 | EY 250-4-651-1X |
| 3 | 1710 | 2.374-46 | 3.500 | 5.156 | EY 6-4-5841 |
| 3 | 1710 | 2.374-46 | 3.500 | 5.156 | EY 6-4-5841-1 |
| 3 | 1710 | 2.374-46 | 3.500 | 5.156 | EY 6-4-8341-1X |
| 3 | 1710 | 2.374-46 | 3.500 | 5.156 | EY 6-4-8341X |
| 3 | 1760 | 2.374-46 | 3.500 | 5.375 | EY 6.3-4-1391-1X |
| 3 | 1760 | 2.374-46 | 3.500 | 5.375 | EY 6.3-4-1391X |
| 3 | 1760 | 2.374-46 | 3.500 | 5.375 | EY 6.3-4-391 |
| 3 | 1760 | 2.374-46 | 3.500 | 5.375 | EY 6.3-4-391-1 |
| 3 | 1810 | 2.374-46 | 3.500 | 5.406 | EY 6.5-4-3251 |
| 3 | 1810 | 2.374-46 | 3.500 | 5.406 | EY 6.5-4-3251-1 |
| 3 | 1810 | 2.374-46 | 3.500 | 5.406 | EY 6.5-4-4271-1X |
| 3 | 1810 | 2.374-46 | 3.500 | 5.406 | EY 6.5-4-4271X |

CRD-201

| | | | | | |
|---|------|----------|-------|-------|------------------|
| 1 | 1710 | 2.374-46 | 3.500 | 5.156 | EY 6-4-8341-1X |
| 1 | 1710 | 2.374-46 | 3.500 | 5.840 | EY 6-4-8951-1 |
| 1 | 1710 | 2.374-46 | 3.500 | 5.840 | EY 6-4-8961-1X |
| 1 | 1760 | 2.374-46 | 3.500 | 5.375 | EY 6.3-4-1391-1X |
| 1 | 1760 | 2.374-46 | 3.500 | 5.375 | EY 6.3-4-1391X |

*C/L to End of Hub for EY (End Yoke); Flange Face to End of Hub for CF (Companion Flange)

■ Hub machined for speedometer gear



| Pos | Series | Spline Data | Hub Dia | * to End of Hub | End Fitting Part Number |
|----------------------------|--------|--|---------|-----------------|-------------------------|
| CRD-201 (Continued) | | | | | |
| 1 | 1810 | 2.374-46 | 3.500 | 5.406 | EY 6.5-4-4271-1X |
| 2 | 1810 | 2.024-39 | 2.750 | 5.188 | EY 6.5-4-3261 |
| | | <i>All suspensions except reyco and dayton</i> | | | |
| 2 | 1810 | 2.024-39 | 2.750 | 5.188 | EY 6.5-4-3261-1 |
| | | <i>All suspensions except reyco and dayton</i> | | | |
| 3 | 1710 | 2.024-39 | 2.750 | 5.000 | EY 6-4-8331-1X |
| | | <i>All suspensions except reyco and dayton</i> | | | |
| 3 | 1710 | 2.024-39 | 2.750 | 5.000 | EY 6-4-8331X |
| | | <i>All suspensions except reyco and dayton</i> | | | |
| 3 | 1810 | 2.374-46 | 3.500 | 5.406 | EY 6.5-4-4271-1X |
| | | <i>All suspensions except reyco and dayton</i> | | | |

| | | | | | |
|----------------|------|--|-------|-------|------------------|
| CRD-203 | | | | | |
| 1 | 1710 | 2.374-46 | 3.500 | 5.156 | EY 6-4-8341-1X |
| 1 | 1710 | 2.374-46 | 3.500 | 5.840 | EY 6-4-8951-1 |
| 1 | 1710 | 2.374-46 | 3.500 | 5.840 | EY 6-4-8961-1X |
| 1 | 1760 | 2.374-46 | 3.500 | 5.375 | EY 6.3-4-1391-1X |
| 1 | 1760 | 2.374-46 | 3.500 | 5.375 | EY 6.3-4-1391X |
| 3 | 1710 | 2.024-39 | 2.750 | 5.000 | EY 6-4-8331-1X |
| | | <i>All suspensions except reyco and dayton</i> | | | |
| 3 | 1710 | 2.024-39 | 2.750 | 5.000 | EY 6-4-8331X |
| | | <i>All suspensions except reyco and dayton</i> | | | |
| 3 | 1810 | 2.374-46 | 3.500 | 5.406 | EY 6.5-4-4271-1X |
| | | <i>All suspensions except reyco and dayton</i> | | | |

| | | | | | |
|----------------|--------|--|-------|-------|------------------|
| CRDP-95 | | | | | |
| 1 | SPL170 | 2.374-46 | 3.500 | 5.880 | EY 170-4-1211-1 |
| 1 | SPL170 | 2.374-46 | 3.500 | 5.880 | EY 170-4-1221-1X |
| 1 | SPL250 | 2.374-46 | 3.500 | 6.140 | EY 250-4-641-1 |
| 1 | SPL250 | 2.374-46 | 3.500 | 6.140 | EY 250-4-651-1X |
| 1 | 1710 | 2.500-10 | 3.500 | 5.156 | EY 6-4-8351-1X |
| 1 | 1760 | 2.500-10 | 3.500 | 5.406 | EY 6.3-4-1401-1X |
| 1 | 1760 | 2.500-10 | 3.500 | 5.406 | EY 6.3-4-1401X |
| 1 | 1760 | 2.500-10 | 3.500 | 5.406 | EY 6.3-4-151 |
| 1 | 1760 | 2.500-10 | 3.500 | 5.406 | EY 6.3-4-151-1 |
| 2 | SPL170 | 2.024-39 | 2.750 | 5.370 | EY 170-4-1251-1 |
| | | <i>High angle yoke</i> | | | |
| 2 | 1710 | 2.250-10 | 3.312 | 5.297 | EY 6-4-8281-1X |
| | | <i>All suspensions except reyco and dayton</i> | | | |
| 2 | 1810 | 2.500-10 | 3.500 | 5.406 | EY 6.5-4-4261-1X |
| | | <i>All suspensions except reyco and dayton</i> | | | |
| 3 | SPL170 | 2.024-39 | 2.750 | 5.370 | EY 170-4-1251-1 |
| | | <i>High angle yoke</i> | | | |
| 3 | SPL170 | 2.024-39 | 2.750 | 5.370 | EY 170-4-1261-1X |
| | | <i>High angle yoke</i> | | | |
| 3 | 1710 | 2.250-10 | 3.312 | 5.297 | EY 6-4-8281-1X |
| | | <i>All suspensions except reyco and dayton</i> | | | |
| 3 | 1810 | 2.250-10 | 3.312 | 5.375 | EY 6.5-4-4241-1X |
| | | <i>All suspensions except reyco and dayton</i> | | | |

| | | | | | |
|-----------------|------|---|-------|-------|------------------|
| CRDPC-92 | | | | | |
| 1 | 1710 | 2.374-46 | 3.500 | 5.156 | EY 6-4-8341-1X |
| 1 | 1710 | 2.374-46 | 3.500 | 5.840 | EY 6-4-8951-1 |
| 1 | 1710 | 2.374-46 | 3.500 | 5.840 | EY 6-4-8961-1X |
| 1 | 1760 | 2.374-46 | 3.500 | 5.375 | EY 6.3-4-1391-1X |
| 1 | 1760 | 2.374-46 | 3.500 | 5.375 | EY 6.3-4-1391X |
| 1 | 1810 | 2.374-46 | 3.500 | 5.406 | EY 6.5-4-4271-1X |
| 2 | 1710 | 2.024-39 | 2.750 | 5.875 | EY 6-4-6571 |
| | | <i>Reyco and dayton suspensions only; High angle yoke</i> | | | |
| 2 | 1710 | 2.024-39 | 2.750 | 5.875 | EY 6-4-6571-1 |
| | | <i>Reyco and dayton suspensions only; High angle yoke</i> | | | |
| 2 | 1810 | 2.024-39 | 2.750 | 5.188 | EY 6.5-4-3261 |
| | | <i>All suspensions except reyco and dayton</i> | | | |
| 2 | 1810 | 2.024-39 | 2.750 | 5.188 | EY 6.5-4-3261-1 |
| | | <i>All suspensions except reyco and dayton</i> | | | |

| Pos | Series | Spline Data | Hub Dia | * to End of Hub | End Fitting Part Number |
|-----------------------------|--------|--|---------|-----------------|-------------------------|
| CRDPC-92 (Continued) | | | | | |
| 3 | 1710 | 2.024-39 | 2.750 | 5.000 | EY 6-4-8331-1X |
| | | <i>All suspensions w/9.59 ratio, exc. reyco and dayton</i> | | | |
| 3 | 1710 | 2.024-39 | 2.750 | 5.000 | EY 6-4-8331X |
| | | <i>All suspensions w/9.59 ratio, exc. reyco and dayton</i> | | | |
| 3 | 1710 | 2.024-39 | 2.750 | 5.875 | EY 6-4-8361-1X |
| | | <i>Reyco and dayton suspensions only; High angle yoke</i> | | | |
| 3 | 1710 | 2.024-39 | 2.750 | 5.875 | EY 6-4-8361X |
| | | <i>Reyco and dayton suspensions only; High angle yoke</i> | | | |
| 3 | 1810 | 2.024-39 | 2.750 | 5.188 | EY 6.5-4-4281-1X |
| | | <i>All suspensions except reyco and dayton</i> | | | |

| | | | | | |
|------------------|------|--|-------|-------|------------------|
| CRDPC-93 | | | | | |
| 1 | 1710 | 2.374-46 | 3.500 | 5.840 | EY 6-4-8961-1X |
| CRDPC-112 | | | | | |
| 1 | 1710 | 2.374-46 | 3.500 | 5.156 | EY 6-4-8341-1X |
| 1 | 1710 | 2.374-46 | 3.500 | 5.840 | EY 6-4-8951-1 |
| 1 | 1710 | 2.374-46 | 3.500 | 5.840 | EY 6-4-8961-1X |
| 1 | 1760 | 2.374-46 | 3.500 | 5.375 | EY 6.3-4-1391-1X |
| 1 | 1760 | 2.374-46 | 3.500 | 5.375 | EY 6.3-4-1391X |
| 1 | 1810 | 2.374-46 | 3.500 | 5.406 | EY 6.5-4-4271-1X |
| 2 | 1710 | 2.024-39 | 2.750 | 5.875 | EY 6-4-6571 |
| | | <i>Reyco and dayton suspensions only; High angle yoke</i> | | | |
| 2 | 1710 | 2.024-39 | 2.750 | 5.875 | EY 6-4-6571-1 |
| | | <i>Reyco and dayton suspensions only; High angle yoke</i> | | | |
| 2 | 1810 | 2.024-39 | 2.750 | 5.188 | EY 6.5-4-3261 |
| | | <i>All suspensions except reyco and dayton</i> | | | |
| 2 | 1810 | 2.024-39 | 2.750 | 5.188 | EY 6.5-4-3261-1 |
| | | <i>All suspensions except reyco and dayton</i> | | | |
| 3 | 1710 | 2.024-39 | 2.750 | 5.000 | EY 6-4-8331-1X |
| | | <i>All suspensions w/9.59 ratio, exc. reyco and dayton</i> | | | |
| 3 | 1710 | 2.024-39 | 2.750 | 5.000 | EY 6-4-8331X |
| | | <i>All suspensions w/9.59 ratio, exc. reyco and dayton</i> | | | |
| 3 | 1710 | 2.024-39 | 2.750 | 5.875 | EY 6-4-8361-1X |
| | | <i>Reyco and dayton suspensions only; High angle yoke</i> | | | |
| 3 | 1710 | 2.024-39 | 2.750 | 5.875 | EY 6-4-8361X |
| | | <i>Reyco and dayton suspensions only; High angle yoke</i> | | | |
| 3 | 1810 | 2.024-39 | 2.750 | 5.188 | EY 6.5-4-4281-1X |
| | | <i>All suspensions except reyco and dayton</i> | | | |

| | | | | | |
|-----------------------------|------|--|-------|-------|------------------|
| CRDPC-200, CRDPC-202 | | | | | |
| 1 | 1710 | 2.374-46 | 3.500 | 5.156 | EY 6-4-8341-1X |
| 1 | 1710 | 2.374-46 | 3.500 | 5.840 | EY 6-4-8951-1 |
| 1 | 1710 | 2.374-46 | 3.500 | 5.840 | EY 6-4-8961-1X |
| 1 | 1760 | 2.374-46 | 3.500 | 5.375 | EY 6.3-4-1391-1X |
| 1 | 1760 | 2.374-46 | 3.500 | 5.375 | EY 6.3-4-1391X |
| 1 | 1810 | 2.374-46 | 3.500 | 5.406 | EY 6.5-4-4271-1X |
| 2 | 1810 | 2.024-39 | 2.750 | 5.188 | EY 6.5-4-3261 |
| | | <i>All suspensions except reyco and dayton</i> | | | |
| 2 | 1810 | 2.024-39 | 2.750 | 5.188 | EY 6.5-4-3261-1 |
| | | <i>All suspensions except reyco and dayton</i> | | | |
| 3 | 1710 | 2.024-39 | 2.750 | 5.000 | EY 6-4-8331-1X |
| | | <i>All suspensions except reyco and dayton</i> | | | |
| 3 | 1710 | 2.024-39 | 2.750 | 5.000 | EY 6-4-8331X |
| | | <i>All suspensions except reyco and dayton</i> | | | |
| 3 | 1810 | 2.374-46 | 3.500 | 5.406 | EY 6.5-4-4271-1X |
| | | <i>All suspensions except reyco and dayton</i> | | | |

| | | | | | |
|--|--------|--|-------|-------|------------------|
| CRDPL-112, CRDPL-200, CRDPL-202 | | | | | |
| 1 | SPL170 | 2.374-46 | 3.500 | 5.880 | EY 170-4-1211-1 |
| 1 | SPL170 | 2.374-46 | 3.500 | 5.880 | EY 170-4-1221-1X |
| 1 | SPL250 | 2.374-46 | 3.500 | 6.140 | EY 250-4-641-1 |
| 1 | SPL250 | 2.374-46 | 3.500 | 6.140 | EY 250-4-651-1X |
| 1 | 1710 | 2.500-10 | 3.500 | 5.156 | EY 6-4-8351-1X |
| | | <i>All suspensions except reyco and dayton</i> | | | |

Continued on next page

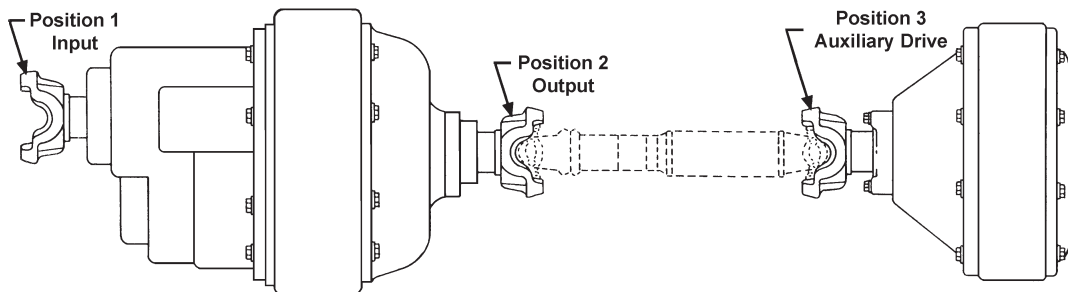
*C/L to End of Hub for EY (End Yoke); Flange Face to End of Hub for CF (Companion Flange)

■ Hub machined for speedometer gear



Important: See Safety Information in General Information Section (J300P-GI)

TANDEM AXLES



| Pos | Series | Spline Data | Hub Dia | * to End of Hub | End Fitting Part Number |
|-----|--------|-------------|---------|-----------------|-------------------------|
|-----|--------|-------------|---------|-----------------|-------------------------|

CRDPL-112, CRDPL-200, CRDPL-202 (Continued)

| | | | | | |
|---|--------|----------|-------|-------|--|
| 1 | 1760 | 2.500-10 | 3.500 | 5.406 | EY 6.3-4-1401-1X |
| 2 | SPL170 | 2.024-39 | 2.750 | 5.370 | EY 170-4-1251-1 <i>High angle yoke</i> |
| 2 | 1710 | 2.250-10 | 3.312 | 5.297 | EY 6-4-8281-1X |
| 2 | 1810 | 2.500-10 | 3.500 | 5.406 | EY 6.5-4-4261-1X |
| 3 | SPL170 | 2.024-39 | 2.750 | 5.370 | EY 170-4-1251-1 <i>High angle yoke</i> |
| 3 | SPL170 | 2.024-39 | 2.750 | 5.370 | EY 170-4-1261-1X <i>High angle yoke</i> |
| 3 | 1710 | 2.250-10 | 3.312 | 5.297 | EY 6-4-8281-1X |
| 3 | 1810 | 2.250-10 | 3.312 | 5.375 | EY 6.5-4-4241-1X |

EW-48C, EW-48W, EW-60C

| | | | | | |
|---|------|----------|-------|-------|---------------------------------------|
| 1 | 1710 | 2.374-46 | 3.500 | 5.156 | EY 6-4-5841 |
| 1 | 1710 | 2.374-46 | 3.500 | 5.156 | EY 6-4-8341-1X |
| 1 | 1760 | 2.374-46 | 3.500 | 5.375 | EY 6.3-4-1391-1X |
| 1 | 1760 | 2.374-46 | 3.500 | 5.375 | EY 6.3-4-391 |
| 1 | 1760 | 2.374-46 | 3.500 | 5.375 | EY 6.3-4-391-1 |
| 1 | 1810 | 2.374-46 | 3.500 | 5.406 | EY 6.5-4-3251 |
| 1 | 1810 | 2.374-46 | 3.500 | 5.406 | EY 6.5-4-4271-1X |
| 2 | 1610 | 2.024-39 | 2.750 | 4.500 | EY 5-4-5881 |
| 2 | 1710 | 2.024-39 | 2.750 | 5.000 | EY 6-4-5851 |
| 2 | 1710 | 2.024-39 | 2.750 | 5.875 | EY 6-4-6571 <i>High angle yoke</i> |
| 2 | 1810 | 2.024-39 | 2.750 | 5.188 | EY 6.5-4-3261 |
| 3 | 1610 | 2.024-39 | 2.750 | 4.500 | EY 5-4-5881 |
| 3 | 1710 | 2.024-39 | 2.750 | 5.000 | EY 6-4-5851 |
| 3 | 1710 | 2.024-39 | 2.750 | 5.875 | EY 6-4-6571 <i>High angle yoke</i> |
| 3 | 1810 | 2.024-39 | 2.750 | 5.188 | EY 6.5-4-3261 |

GWS-592

| | | | | | |
|---|------|----------|-------|-------|------------------|
| 1 | 1710 | 2.500-10 | 3.500 | 5.156 | EY 6-4-4421 |
| 1 | 1710 | 2.500-10 | 3.500 | 5.156 | EY 6-4-8351-1X |
| 1 | 1810 | 2.500-10 | 3.500 | 5.406 | EY 6.5-4-2101 |
| 2 | 1710 | 2.250-10 | 3.125 | 5.250 | EY 6-4-2441 |
| 2 | 1810 | 2.250-10 | 3.125 | 5.375 | EY 6.5-4-2141 |
| 2 | 1810 | 2.250-10 | 3.125 | 5.375 | EY 6.5-4-4221-1X |

SA-38C

| | | | | | |
|---|------|----------|-------|-------|---------------------------------------|
| 1 | 1710 | 2.374-46 | 3.500 | 5.156 | EY 6-4-5841 |
| 1 | 1710 | 2.374-46 | 3.500 | 5.156 | EY 6-4-8341-1X |
| 1 | 1760 | 2.374-46 | 3.500 | 5.375 | EY 6.3-4-1391-1X |
| 1 | 1760 | 2.374-46 | 3.500 | 5.375 | EY 6.3-4-391 |
| 1 | 1810 | 2.374-46 | 3.500 | 5.406 | EY 6.5-4-3251 |
| 1 | 1810 | 2.374-46 | 3.500 | 5.406 | EY 6.5-4-4271-1X |
| 2 | 1610 | 2.024-39 | 2.750 | 4.500 | EY 5-4-5881 |
| 2 | 1710 | 2.024-39 | 2.750 | 5.000 | EY 6-4-5851 |
| 2 | 1710 | 2.024-39 | 2.750 | 5.875 | EY 6-4-6571 <i>High angle yoke</i> |
| 2 | 1710 | 2.024-39 | 2.750 | 5.000 | EY 6-4-8331-1X |

| Pos | Series | Spline Data | Hub Dia | * to End of Hub | End Fitting Part Number |
|-----|--------|-------------|---------|-----------------|-------------------------|
|-----|--------|-------------|---------|-----------------|-------------------------|

SA-38C (Continued)

| | | | | | |
|---|------|----------|-------|-------|--|
| 2 | 1710 | 2.024-39 | 2.750 | 5.875 | EY 6-4-8361-1X <i>High angle yoke</i> |
| 2 | 1810 | 2.024-39 | 2.750 | 5.188 | EY 6.5-4-3261 |
| 2 | 1810 | 2.024-39 | 2.750 | 5.188 | EY 6.5-4-4281-1X |
| 3 | 1610 | 2.024-39 | 2.750 | 4.500 | EY 5-4-5881 |
| 3 | 1710 | 2.024-39 | 2.750 | 5.000 | EY 6-4-5851 |
| 3 | 1710 | 2.024-39 | 2.750 | 5.875 | EY 6-4-6571 <i>High angle yoke</i> |
| 3 | 1710 | 2.024-39 | 2.750 | 5.000 | EY 6-4-8331-1X |
| 3 | 1710 | 2.024-39 | 2.750 | 5.875 | EY 6-4-8361-1X <i>High angle yoke</i> |
| 3 | 1810 | 2.024-39 | 2.750 | 5.188 | EY 6.5-4-3261 |
| 3 | 1810 | 2.024-39 | 2.750 | 5.188 | EY 6.5-4-4281-1X |

SA-38W

| | | | | | |
|---|--------|----------|-------|-------|--|
| 1 | SPL170 | 2.374-46 | 3.500 | 5.880 | EY 170-4-1211-1 |
| 1 | SPL170 | 2.374-46 | 3.500 | 5.880 | EY 170-4-1221-1X |
| 1 | SPL250 | 2.374-46 | 3.500 | 6.140 | EY 250-4-641-1 |
| 1 | SPL250 | 2.374-46 | 3.500 | 6.140 | EY 250-4-651-1X |
| 1 | 1710 | 2.374-46 | 3.500 | 5.156 | EY 6-4-5841 |
| 1 | 1710 | 2.374-46 | 3.500 | 5.156 | EY 6-4-8341-1X |
| 1 | 1760 | 2.374-46 | 3.500 | 5.375 | EY 6.3-4-1391-1X |
| 1 | 1760 | 2.374-46 | 3.500 | 5.375 | EY 6.3-4-391 |
| 1 | 1810 | 2.374-46 | 3.500 | 5.406 | EY 6.5-4-3251 |
| 1 | 1810 | 2.374-46 | 3.500 | 5.406 | EY 6.5-4-4271-1X |
| 2 | SPL170 | 2.024-39 | 2.750 | 5.370 | EY 170-4-1251-1 <i>High angle yoke</i> |
| 2 | 1610 | 2.024-39 | 2.750 | 4.500 | EY 5-4-5881 |
| 2 | 1710 | 2.024-39 | 2.750 | 5.000 | EY 6-4-5851 |
| 2 | 1710 | 2.024-39 | 2.750 | 5.875 | EY 6-4-6571 <i>High angle yoke</i> |
| 2 | 1710 | 2.024-39 | 2.750 | 5.000 | EY 6-4-8331-1X |
| 2 | 1710 | 2.024-39 | 2.750 | 5.875 | EY 6-4-8361-1X <i>High angle yoke</i> |
| 3 | SPL170 | 2.024-39 | 2.750 | 5.370 | EY 170-4-1261-1X <i>High angle yoke</i> |
| 3 | 1610 | 2.024-39 | 2.750 | 4.500 | EY 5-4-5881 |
| 3 | 1710 | 2.024-39 | 2.750 | 5.000 | EY 6-4-5851 |
| 3 | 1710 | 2.024-39 | 2.750 | 5.875 | EY 6-4-6571 <i>High angle yoke</i> |
| 3 | 1710 | 2.024-39 | 2.750 | 5.000 | EY 6-4-8331-1X |
| 3 | 1710 | 2.024-39 | 2.750 | 5.875 | EY 6-4-8361-1X <i>High angle yoke</i> |
| 3 | 1810 | 2.024-39 | 2.750 | 5.188 | EY 6.5-4-3261 |
| 3 | 1810 | 2.024-39 | 2.750 | 5.188 | EY 6.5-4-4281-1X |

*C/L to End of Hub for EY (End Yoke); Flange Face to End of Hub for CF (Companion Flange)

■ Hub machined for speedometer gear



| Pos | Series | Spline Data | Hub Dia | * to End of Hub | End Fitting Part Number |
|-----------------------|--------|-------------|---------|-----------------|-------------------------|
| SC-38C, SC-38W | | | | | |
| 1 | 1710 | 2.374-46 | 3.500 | 5.156 | EY 6-4-5841 |
| 1 | 1710 | 2.374-46 | 3.500 | 5.156 | EY 6-4-8341-1X |
| 1 | 1760 | 2.374-46 | 3.500 | 5.375 | EY 6.3-4-1391-1X |
| 1 | 1760 | 2.374-46 | 3.500 | 5.375 | EY 6.3-4-391 |
| 1 | 1810 | 2.374-46 | 3.500 | 5.406 | EY 6.5-4-3251 |
| 1 | 1810 | 2.374-46 | 3.500 | 5.406 | EY 6.5-4-4271-1X |
| 2 | 1610 | 2.024-39 | 2.750 | 4.500 | EY 5-4-5881 |
| 2 | 1710 | 2.024-39 | 2.750 | 5.000 | EY 6-4-5851 |
| 2 | 1710 | 2.024-39 | 2.750 | 5.875 | EY 6-4-6571 |
| | | | | | <i>High angle yoke</i> |
| 2 | 1710 | 2.024-39 | 2.750 | 5.000 | EY 6-4-8331-1X |
| 2 | 1710 | 2.024-39 | 2.750 | 5.875 | EY 6-4-8361-1X |
| | | | | | <i>High angle yoke</i> |
| 2 | 1810 | 2.024-39 | 2.750 | 5.188 | EY 6.5-4-3261 |
| 2 | 1810 | 2.024-39 | 2.750 | 5.188 | EY 6.5-4-4281-1X |
| 3 | 1610 | 2.024-39 | 2.750 | 4.500 | EY 5-4-5881 |
| 3 | 1710 | 2.024-39 | 2.750 | 5.000 | EY 6-4-5851 |
| 3 | 1710 | 2.024-39 | 2.750 | 5.875 | EY 6-4-6571 |
| | | | | | <i>High angle yoke</i> |
| 3 | 1710 | 2.024-39 | 2.750 | 5.000 | EY 6-4-8331-1X |
| 3 | 1710 | 2.024-39 | 2.750 | 5.875 | EY 6-4-8361-1X |
| | | | | | <i>High angle yoke</i> |
| 3 | 1810 | 2.024-39 | 2.750 | 5.188 | EY 6.5-4-3261 |
| 3 | 1810 | 2.024-39 | 2.750 | 5.188 | EY 6.5-4-4281-1X |

| Pos | Series | Spline Data | Hub Dia | * to End of Hub | End Fitting Part Number |
|----------------|--------|-------------|---------|-----------------|-------------------------|
| SC-342C | | | | | |
| 1 | SPL170 | 2.374-46 | 3.500 | 5.880 | EY 170-4-1211-1 |
| 1 | SPL170 | 2.374-46 | 3.500 | 5.880 | EY 170-4-1221-1X |
| 1 | SPL250 | 2.374-46 | 3.500 | 6.140 | EY 250-4-641-1 |
| 1 | SPL250 | 2.374-46 | 3.500 | 6.140 | EY 250-4-651-1X |
| 1 | 1710 | 2.374-46 | 3.500 | 5.156 | EY 6-4-5841 |
| 1 | 1710 | 2.374-46 | 3.500 | 5.156 | EY 6-4-8341-1X |
| 1 | 1760 | 2.374-46 | 3.500 | 5.375 | EY 6.3-4-1391-1X |
| 1 | 1760 | 2.374-46 | 3.500 | 5.375 | EY 6.3-4-391 |
| 1 | 1810 | 2.374-46 | 3.500 | 5.406 | EY 6.5-4-3251 |
| 1 | 1810 | 2.374-46 | 3.500 | 5.406 | EY 6.5-4-4271-1X |
| 2 | SPL170 | 2.024-39 | 2.750 | 5.370 | EY 170-4-1251-1 |
| | | | | | <i>High angle yoke</i> |
| 2 | 1610 | 2.024-39 | 2.750 | 4.500 | EY 5-4-5881 |
| 2 | 1710 | 2.024-39 | 2.750 | 5.000 | EY 6-4-5851 |
| 2 | 1710 | 2.024-39 | 2.750 | 5.875 | EY 6-4-6571 |
| | | | | | <i>High angle yoke</i> |
| 2 | 1710 | 2.024-39 | 2.750 | 5.000 | EY 6-4-8331-1X |
| 2 | 1710 | 2.024-39 | 2.750 | 5.875 | EY 6-4-8361-1X |
| | | | | | <i>High angle yoke</i> |
| 2 | 1810 | 2.024-39 | 2.750 | 5.188 | EY 6.5-4-3261 |
| 2 | 1810 | 2.024-39 | 2.750 | 5.188 | EY 6.5-4-4281-1X |
| 3 | SPL170 | 2.024-39 | 2.750 | 5.370 | EY 170-4-1251-1 |
| | | | | | <i>High angle yoke</i> |
| 3 | SPL170 | 2.024-39 | 2.750 | 5.370 | EY 170-4-1261-1X |
| | | | | | <i>High angle yoke</i> |
| 3 | 1610 | 2.024-39 | 2.750 | 4.500 | EY 5-4-5881 |
| 3 | 1710 | 2.024-39 | 2.750 | 5.000 | EY 6-4-5851 |
| 3 | 1710 | 2.024-39 | 2.750 | 5.875 | EY 6-4-6571 |
| | | | | | <i>High angle yoke</i> |
| 3 | 1710 | 2.024-39 | 2.750 | 5.000 | EY 6-4-8331-1X |
| 3 | 1710 | 2.024-39 | 2.750 | 5.875 | EY 6-4-8361-1X |
| | | | | | <i>High angle yoke</i> |
| 3 | 1810 | 2.024-39 | 2.750 | 5.188 | EY 6.5-4-3261 |
| 3 | 1810 | 2.024-39 | 2.750 | 5.188 | EY 6.5-4-4281-1X |

| Pos | Series | Spline Data | Hub Dia | * to End of Hub | End Fitting Part Number |
|----------------|--------|-------------|---------|-----------------|-------------------------|
| SC-342W | | | | | |
| 1 | 1710 | 2.374-46 | 3.500 | 5.156 | EY 6-4-5841 |
| 1 | 1710 | 2.374-46 | 3.500 | 5.156 | EY 6-4-8341-1X |
| 1 | 1760 | 2.374-46 | 3.500 | 5.375 | EY 6.3-4-1391-1X |
| 1 | 1760 | 2.374-46 | 3.500 | 5.375 | EY 6.3-4-391 |
| 1 | 1810 | 2.374-46 | 3.500 | 5.406 | EY 6.5-4-3251 |
| 1 | 1810 | 2.374-46 | 3.500 | 5.406 | EY 6.5-4-4271-1X |
| 2 | 1610 | 2.024-39 | 2.750 | 4.500 | EY 5-4-5881 |
| 2 | 1710 | 2.024-39 | 2.750 | 5.000 | EY 6-4-5851 |
| 2 | 1710 | 2.024-39 | 2.750 | 5.875 | EY 6-4-6571 |
| | | | | | <i>High angle yoke</i> |
| 2 | 1710 | 2.024-39 | 2.750 | 5.000 | EY 6-4-8331-1X |
| 2 | 1710 | 2.024-39 | 2.750 | 5.875 | EY 6-4-8361-1X |
| | | | | | <i>High angle yoke</i> |
| 2 | 1810 | 2.024-39 | 2.750 | 5.188 | EY 6.5-4-3261 |
| 2 | 1810 | 2.024-39 | 2.750 | 5.188 | EY 6.5-4-4281-1X |
| 3 | 1610 | 2.024-39 | 2.750 | 4.500 | EY 5-4-5881 |
| 3 | 1710 | 2.024-39 | 2.750 | 5.000 | EY 6-4-5851 |
| 3 | 1710 | 2.024-39 | 2.750 | 5.875 | EY 6-4-6571 |
| | | | | | <i>High angle yoke</i> |
| 3 | 1710 | 2.024-39 | 2.750 | 5.000 | EY 6-4-8331-1X |
| 3 | 1710 | 2.024-39 | 2.750 | 5.875 | EY 6-4-8361-1X |
| | | | | | <i>High angle yoke</i> |
| 3 | 1810 | 2.024-39 | 2.750 | 5.188 | EY 6.5-4-3261 |
| 3 | 1810 | 2.024-39 | 2.750 | 5.188 | EY 6.5-4-4281-1X |

| Pos | Series | Spline Data | Hub Dia | * to End of Hub | End Fitting Part Number |
|------------------------|--------|-------------|---------|-----------------|-------------------------|
| SH-34C, SH-34W, | | | | | |
| 1 | 1710 | 2.374-46 | 3.500 | 5.156 | EY 6-4-5841 |
| 1 | 1710 | 2.374-46 | 3.500 | 5.156 | EY 6-4-8341-1X |
| 1 | 1760 | 2.374-46 | 3.500 | 5.375 | EY 6.3-4-1391-1X |
| 1 | 1760 | 2.374-46 | 3.500 | 5.375 | EY 6.3-4-391 |
| 1 | 1810 | 2.374-46 | 3.500 | 5.406 | EY 6.5-4-3251 |
| 1 | 1810 | 2.374-46 | 3.500 | 5.406 | EY 6.5-4-4271-1X |
| 2 | 1610 | 2.024-39 | 2.750 | 4.500 | EY 5-4-5881 |
| 2 | 1710 | 2.024-39 | 2.750 | 5.000 | EY 6-4-5851 |
| 2 | 1710 | 2.024-39 | 2.750 | 5.875 | EY 6-4-6571 |
| | | | | | <i>High angle yoke</i> |
| 2 | 1710 | 2.024-39 | 2.750 | 5.000 | EY 6-4-8331-1X |
| 2 | 1710 | 2.024-39 | 2.750 | 5.875 | EY 6-4-8361-1X |
| | | | | | <i>High angle yoke</i> |
| 2 | 1810 | 2.024-39 | 2.750 | 5.188 | EY 6.5-4-3261 |
| 2 | 1810 | 2.024-39 | 2.750 | 5.188 | EY 6.5-4-4281-1X |
| 3 | 1610 | 2.024-39 | 2.750 | 4.500 | EY 5-4-5881 |
| 3 | 1710 | 2.024-39 | 2.750 | 5.000 | EY 6-4-5851 |
| 3 | 1710 | 2.024-39 | 2.750 | 5.875 | EY 6-4-6571 |
| | | | | | <i>High angle yoke</i> |
| 3 | 1710 | 2.024-39 | 2.750 | 5.000 | EY 6-4-8331-1X |
| 3 | 1710 | 2.024-39 | 2.750 | 5.875 | EY 6-4-8361-1X |
| | | | | | <i>High angle yoke</i> |
| 3 | 1810 | 2.024-39 | 2.750 | 5.188 | EY 6.5-4-3261 |
| 3 | 1810 | 2.024-39 | 2.750 | 5.188 | EY 6.5-4-4281-1X |

| Pos | Series | Spline Data | Hub Dia | * to End of Hub | End Fitting Part Number |
|---------------|--------|-------------|---------|-----------------|-------------------------|
| SH-38C | | | | | |
| 1 | SPL170 | 2.374-46 | 3.500 | 5.880 | EY 170-4-1211-1 |
| 1 | SPL170 | 2.374-46 | 3.500 | 5.880 | EY 170-4-1221-1X |
| 1 | SPL250 | 2.374-46 | 3.500 | 6.140 | EY 250-4-641-1 |
| 1 | SPL250 | 2.374-46 | 3.500 | 6.140 | EY 250-4-651-1X |
| 1 | 1710 | 2.374-46 | 3.500 | 5.156 | EY 6-4-5841 |
| 1 | 1710 | 2.374-46 | 3.500 | 5.156 | EY 6-4-8341-1X |
| 1 | 1760 | 2.374-46 | 3.500 | 5.375 | EY 6.3-4-1391-1X |
| 1 | 1760 | 2.374-46 | 3.500 | 5.375 | EY 6.3-4-391 |

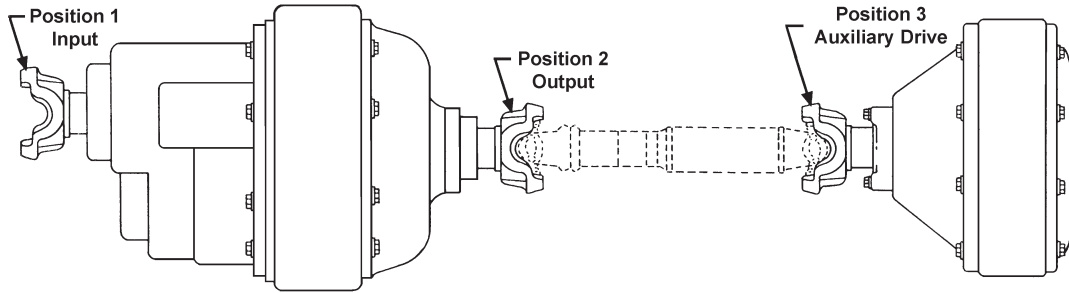
Continued on next page

*C/L to End of Hub for EY (End Yoke); Flange Face to End of Hub for CF (Companion Flange)

■ Hub machined for speedometer gear



Important: See Safety Information in General Information Section (J300P-GI)



| Pos | Series | Spline Data | Hub Dia | * to End of Hub | End Fitting Part Number |
|-----|--------|-------------|---------|-----------------|-------------------------|
|-----|--------|-------------|---------|-----------------|-------------------------|

SH-38C (Continued)

| | | | | | |
|---|--------|----------|-------|-------|--|
| 1 | 1810 | 2.374-46 | 3.500 | 5.406 | EY 6.5-4-3251 |
| 1 | 1810 | 2.374-46 | 3.500 | 5.406 | EY 6.5-4-4271-1X |
| 2 | SPL170 | 2.024-39 | 2.750 | 5.370 | EY 170-4-1251-1 <i>High angle yoke</i> |
| 2 | 1610 | 2.024-39 | 2.750 | 4.500 | EY 5-4-5881 |
| 2 | 1710 | 2.024-39 | 2.750 | 5.000 | EY 6-4-5851 |
| 2 | 1710 | 2.024-39 | 2.750 | 5.875 | EY 6-4-6571 <i>High angle yoke</i> |
| 2 | 1710 | 2.024-39 | 2.750 | 5.000 | EY 6-4-8331-1X |
| 2 | 1710 | 2.024-39 | 2.750 | 5.875 | EY 6-4-8361-1X <i>High angle yoke</i> |
| 2 | 1810 | 2.024-39 | 2.750 | 5.188 | EY 6.5-4-3261 |
| 2 | 1810 | 2.024-39 | 2.750 | 5.188 | EY 6.5-4-4281-1X |
| 3 | SPL170 | 2.024-39 | 2.750 | 5.370 | EY 170-4-1251-1 <i>High angle yoke</i> |
| 3 | SPL170 | 2.024-39 | 2.750 | 5.370 | EY 170-4-1261-1X <i>High angle yoke</i> |
| 3 | 1610 | 2.024-39 | 2.750 | 4.500 | EY 5-4-5881 |
| 3 | 1710 | 2.024-39 | 2.750 | 5.000 | EY 6-4-5851 |
| 3 | 1710 | 2.024-39 | 2.750 | 5.875 | EY 6-4-6571 <i>High angle yoke</i> |
| 3 | 1710 | 2.024-39 | 2.750 | 5.000 | EY 6-4-8331-1X |
| 3 | 1710 | 2.024-39 | 2.750 | 5.875 | EY 6-4-8361-1X <i>High angle yoke</i> |
| 3 | 1810 | 2.024-39 | 2.750 | 5.188 | EY 6.5-4-3261 |
| 3 | 1810 | 2.024-39 | 2.750 | 5.188 | EY 6.5-4-4281-1X |

SH-38W, SH-342C, SH-342W

| | | | | | |
|---|------|----------|-------|-------|--|
| 1 | 1710 | 2.374-46 | 3.500 | 5.156 | EY 6-4-5841 |
| 1 | 1710 | 2.374-46 | 3.500 | 5.156 | EY 6-4-8341-1X |
| 1 | 1760 | 2.374-46 | 3.500 | 5.375 | EY 6.3-4-1391-1X |
| 1 | 1760 | 2.374-46 | 3.500 | 5.375 | EY 6.3-4-391 |
| 1 | 1810 | 2.374-46 | 3.500 | 5.406 | EY 6.5-4-3251 |
| 1 | 1810 | 2.374-46 | 3.500 | 5.406 | EY 6.5-4-4271-1X |
| 2 | 1610 | 2.024-39 | 2.750 | 4.500 | EY 5-4-5881 |
| 2 | 1710 | 2.024-39 | 2.750 | 5.000 | EY 6-4-5851 |
| 2 | 1710 | 2.024-39 | 2.750 | 5.875 | EY 6-4-6571 <i>High angle yoke</i> |
| 2 | 1710 | 2.024-39 | 2.750 | 5.000 | EY 6-4-8331-1X |
| 2 | 1710 | 2.024-39 | 2.750 | 5.875 | EY 6-4-8361-1X <i>High angle yoke</i> |
| 2 | 1810 | 2.024-39 | 2.750 | 5.188 | EY 6.5-4-3261 |
| 2 | 1810 | 2.024-39 | 2.750 | 5.188 | EY 6.5-4-4281-1X |
| 3 | 1610 | 2.024-39 | 2.750 | 4.500 | EY 5-4-5881 |
| 3 | 1710 | 2.024-39 | 2.750 | 5.000 | EY 6-4-5851 |
| 3 | 1710 | 2.024-39 | 2.750 | 5.875 | EY 6-4-6571 <i>High angle yoke</i> |
| 3 | 1710 | 2.024-39 | 2.750 | 5.000 | EY 6-4-8331-1X |
| 3 | 1710 | 2.024-39 | 2.750 | 5.875 | EY 6-4-8361-1X <i>High angle yoke</i> |
| 3 | 1810 | 2.024-39 | 2.750 | 5.188 | EY 6.5-4-3261 |
| 3 | 1810 | 2.024-39 | 2.750 | 5.188 | EY 6.5-4-4281-1X |

| Pos | Series | Spline Data | Hub Dia | * to End of Hub | End Fitting Part Number |
|-----|--------|-------------|---------|-----------------|-------------------------|
|-----|--------|-------------|---------|-----------------|-------------------------|

SH-440C, SH-441C

| | | | | | |
|---|------|----------|-------|-------|---------------------------------------|
| 1 | 1710 | 2.374-46 | 3.500 | 5.156 | EY 6-4-5841 |
| 1 | 1710 | 2.374-46 | 3.500 | 5.156 | EY 6-4-8341-1X |
| 1 | 1760 | 2.374-46 | 3.500 | 5.375 | EY 6.3-4-1391-1X |
| 1 | 1760 | 2.374-46 | 3.500 | 5.375 | EY 6.3-4-391 |
| 1 | 1810 | 2.374-46 | 3.500 | 5.406 | EY 6.5-4-3251 |
| 1 | 1810 | 2.374-46 | 3.500 | 5.406 | EY 6.5-4-4271-1X |
| 2 | 1610 | 2.024-39 | 2.750 | 4.500 | EY 5-4-5881 |
| 2 | 1710 | 2.024-39 | 2.750 | 5.000 | EY 6-4-5851 |
| 2 | 1710 | 2.024-39 | 2.750 | 5.875 | EY 6-4-6571 <i>High angle yoke</i> |
| 2 | 1810 | 2.024-39 | 2.750 | 5.188 | EY 6.5-4-3261 |
| 3 | 1610 | 2.024-39 | 2.750 | 4.500 | EY 5-4-5881 |
| 3 | 1710 | 2.024-39 | 2.750 | 5.000 | EY 6-4-5851 |
| 3 | 1710 | 2.024-39 | 2.750 | 5.875 | EY 6-4-6571 <i>High angle yoke</i> |
| 3 | 1810 | 2.024-39 | 2.750 | 5.188 | EY 6.5-4-3261 |

SHB-38C, SHB-38W, SHB-342C, SHB-342W, SS-34C, SS-34W, SS-38C, SS-38W

| | | | | | |
|---|------|----------|-------|-------|--|
| 1 | 1710 | 2.374-46 | 3.500 | 5.156 | EY 6-4-5841 |
| 1 | 1710 | 2.374-46 | 3.500 | 5.156 | EY 6-4-8341-1X |
| 1 | 1760 | 2.374-46 | 3.500 | 5.375 | EY 6.3-4-1391-1X |
| 1 | 1760 | 2.374-46 | 3.500 | 5.375 | EY 6.3-4-391 |
| 1 | 1810 | 2.374-46 | 3.500 | 5.406 | EY 6.5-4-3251 |
| 1 | 1810 | 2.374-46 | 3.500 | 5.406 | EY 6.5-4-4271-1X |
| 2 | 1610 | 2.024-39 | 2.750 | 4.500 | EY 5-4-5881 |
| 2 | 1710 | 2.024-39 | 2.750 | 5.000 | EY 6-4-5851 |
| 2 | 1710 | 2.024-39 | 2.750 | 5.875 | EY 6-4-6571 <i>High angle yoke</i> |
| 2 | 1710 | 2.024-39 | 2.750 | 5.000 | EY 6-4-8331-1X |
| 2 | 1710 | 2.024-39 | 2.750 | 5.875 | EY 6-4-8361-1X <i>High angle yoke</i> |
| 2 | 1810 | 2.024-39 | 2.750 | 5.188 | EY 6.5-4-3261 |
| 2 | 1810 | 2.024-39 | 2.750 | 5.188 | EY 6.5-4-4281-1X |
| 3 | 1610 | 2.024-39 | 2.750 | 4.500 | EY 5-4-5881 |
| 3 | 1710 | 2.024-39 | 2.750 | 5.000 | EY 6-4-5851 |
| 3 | 1710 | 2.024-39 | 2.750 | 5.875 | EY 6-4-6571 <i>High angle yoke</i> |
| 3 | 1710 | 2.024-39 | 2.750 | 5.000 | EY 6-4-8331-1X |
| 3 | 1710 | 2.024-39 | 2.750 | 5.875 | EY 6-4-8361-1X <i>High angle yoke</i> |
| 3 | 1810 | 2.024-39 | 2.750 | 5.188 | EY 6.5-4-3261 |
| 3 | 1810 | 2.024-39 | 2.750 | 5.188 | EY 6.5-4-4281-1X |

SS-50C, SS-58C

| | | | | | |
|---|------|----------|-------|-------|------------------|
| 1 | 1710 | 2.374-46 | 3.500 | 5.156 | EY 6-4-5841 |
| 1 | 1710 | 2.374-46 | 3.500 | 5.156 | EY 6-4-8341-1X |
| 1 | 1760 | 2.374-46 | 3.500 | 5.375 | EY 6.3-4-1391-1X |
| 1 | 1760 | 2.374-46 | 3.500 | 5.375 | EY 6.3-4-391 |
| 1 | 1810 | 2.374-46 | 3.500 | 5.406 | EY 6.5-4-3251 |
| 1 | 1810 | 2.374-46 | 3.500 | 5.406 | EY 6.5-4-4271-1X |

*C/L to End of Hub for EY (End Yoke); Flange Face to End of Hub for CF (Companion Flange)

■ Hub machined for speedometer gear



| Pos | Series | Spline Data | Hub Dia | * to End of Hub | End Fitting Part Number |
|-----|--------|-------------|---------|-----------------|-------------------------|
|-----|--------|-------------|---------|-----------------|-------------------------|

| Pos | Series | Spline Data | Hub Dia | * to End of Hub | End Fitting Part Number |
|-----|--------|-------------|---------|-----------------|-------------------------|
|-----|--------|-------------|---------|-----------------|-------------------------|

SS-50C, SS-58C (Continued)

| | | | | | |
|---|------|----------|-------|-------|---------------------------------------|
| 2 | 1610 | 2.024-39 | 2.750 | 4.500 | EY 5-4-5881 |
| 2 | 1710 | 2.024-39 | 2.750 | 5.000 | EY 6-4-5851 |
| 2 | 1710 | 2.024-39 | 2.750 | 5.875 | EY 6-4-6571 <i>High angle yoke</i> |
| 2 | 1810 | 2.024-39 | 2.750 | 5.188 | EY 6.5-4-3261 |
| 3 | 1610 | 2.024-39 | 2.750 | 4.500 | EY 5-4-5881 |
| 3 | 1710 | 2.024-39 | 2.750 | 5.000 | EY 6-4-5851 |
| 3 | 1710 | 2.024-39 | 2.750 | 5.875 | EY 6-4-6571 <i>High angle yoke</i> |
| 3 | 1810 | 2.024-39 | 2.750 | 5.188 | EY 6.5-4-3261 |

SS-65C, SS-65W

| | | | | | |
|---|------|----------|-------|-------|------------------|
| 1 | 1760 | 2.500-10 | 3.500 | 5.406 | EY 6.3-4-1401-1X |
| 1 | 1760 | 2.500-10 | 3.500 | 5.406 | EY 6.3-4-151 |
| 2 | 1710 | 2.250-10 | 3.125 | 5.250 | EY 6-4-2441 |
| 3 | 1710 | 2.250-10 | 3.125 | 5.250 | EY 6-4-2441 |

SS-342C, SS-342W

| | | | | | |
|---|------|----------|-------|-------|--|
| 1 | 1710 | 2.374-46 | 3.500 | 5.156 | EY 6-4-5841 |
| 1 | 1710 | 2.374-46 | 3.500 | 5.156 | EY 6-4-8341-1X |
| 1 | 1760 | 2.374-46 | 3.500 | 5.375 | EY 6.3-4-1391-1X |
| 1 | 1760 | 2.374-46 | 3.500 | 5.375 | EY 6.3-4-391 |
| 1 | 1810 | 2.374-46 | 3.500 | 5.406 | EY 6.5-4-3251 |
| 1 | 1810 | 2.374-46 | 3.500 | 5.406 | EY 6.5-4-4271-1X |
| 2 | 1610 | 2.024-39 | 2.750 | 4.500 | EY 5-4-5881 |
| 2 | 1710 | 2.024-39 | 2.750 | 5.000 | EY 6-4-5851 |
| 2 | 1710 | 2.024-39 | 2.750 | 5.875 | EY 6-4-6571 <i>High angle yoke</i> |
| 2 | 1710 | 2.024-39 | 2.750 | 5.000 | EY 6-4-8331-1X |
| 2 | 1710 | 2.024-39 | 2.750 | 5.875 | EY 6-4-8361-1X <i>High angle yoke</i> |
| 2 | 1810 | 2.024-39 | 2.750 | 5.188 | EY 6.5-4-3261 |
| 2 | 1810 | 2.024-39 | 2.750 | 5.188 | EY 6.5-4-4281-1X |
| 3 | 1610 | 2.024-39 | 2.750 | 4.500 | EY 5-4-5881 |
| 3 | 1710 | 2.024-39 | 2.750 | 5.000 | EY 6-4-5851 |
| 3 | 1710 | 2.024-39 | 2.750 | 5.875 | EY 6-4-6571 <i>High angle yoke</i> |
| 3 | 1710 | 2.024-39 | 2.750 | 5.000 | EY 6-4-8331-1X |
| 3 | 1710 | 2.024-39 | 2.750 | 5.875 | EY 6-4-8361-1X <i>High angle yoke</i> |
| 3 | 1810 | 2.024-39 | 2.750 | 5.188 | EY 6.5-4-3261 |
| 3 | 1810 | 2.024-39 | 2.750 | 5.188 | EY 6.5-4-4281-1X |

SS-440C, SS-441C

| | | | | | |
|---|------|----------|-------|-------|---------------------------------------|
| 1 | 1710 | 2.374-46 | 3.500 | 5.156 | EY 6-4-5841 |
| 1 | 1710 | 2.374-46 | 3.500 | 5.156 | EY 6-4-8341-1X |
| 1 | 1760 | 2.374-46 | 3.500 | 5.375 | EY 6.3-4-1391-1X |
| 1 | 1760 | 2.374-46 | 3.500 | 5.375 | EY 6.3-4-391 |
| 1 | 1810 | 2.374-46 | 3.500 | 5.406 | EY 6.5-4-3251 |
| 1 | 1810 | 2.374-46 | 3.500 | 5.406 | EY 6.5-4-4271-1X |
| 2 | 1610 | 2.024-39 | 2.750 | 4.500 | EY 5-4-5881 |
| 2 | 1710 | 2.024-39 | 2.750 | 5.000 | EY 6-4-5851 |
| 2 | 1710 | 2.024-39 | 2.750 | 5.875 | EY 6-4-6571 <i>High angle yoke</i> |
| 2 | 1810 | 2.024-39 | 2.750 | 5.188 | EY 6.5-4-3261 |
| 3 | 1610 | 2.024-39 | 2.750 | 4.500 | EY 5-4-5881 |
| 3 | 1710 | 2.024-39 | 2.750 | 5.000 | EY 6-4-5851 |
| 3 | 1710 | 2.024-39 | 2.750 | 5.875 | EY 6-4-6571 <i>High angle yoke</i> |
| 3 | 1810 | 2.024-39 | 2.750 | 5.188 | EY 6.5-4-3261 |

SSB-38C, SSB-38W, ST-34C, ST-34W, SW-38C, SW-38W

| | | | | | |
|---|------|----------|-------|-------|--|
| 1 | 1710 | 2.374-46 | 3.500 | 5.156 | EY 6-4-5841 |
| 1 | 1710 | 2.374-46 | 3.500 | 5.156 | EY 6-4-8341-1X |
| 1 | 1760 | 2.374-46 | 3.500 | 5.375 | EY 6.3-4-1391-1X |
| 1 | 1760 | 2.374-46 | 3.500 | 5.375 | EY 6.3-4-391 |
| 1 | 1810 | 2.374-46 | 3.500 | 5.406 | EY 6.5-4-3251 |
| 1 | 1810 | 2.374-46 | 3.500 | 5.406 | EY 6.5-4-4271-1X |
| 2 | 1610 | 2.024-39 | 2.750 | 4.500 | EY 5-4-5881 |
| 2 | 1710 | 2.024-39 | 2.750 | 5.000 | EY 6-4-5851 |
| 2 | 1710 | 2.024-39 | 2.750 | 5.875 | EY 6-4-6571 <i>High angle yoke</i> |
| 2 | 1710 | 2.024-39 | 2.750 | 5.000 | EY 6-4-8331-1X |
| 2 | 1710 | 2.024-39 | 2.750 | 5.875 | EY 6-4-8361-1X <i>High angle yoke</i> |
| 2 | 1810 | 2.024-39 | 2.750 | 5.188 | EY 6.5-4-3261 |
| 2 | 1810 | 2.024-39 | 2.750 | 5.188 | EY 6.5-4-4281-1X |
| 3 | 1610 | 2.024-39 | 2.750 | 4.500 | EY 5-4-5881 |
| 3 | 1710 | 2.024-39 | 2.750 | 5.000 | EY 6-4-5851 |
| 3 | 1710 | 2.024-39 | 2.750 | 5.875 | EY 6-4-6571 <i>High angle yoke</i> |
| 3 | 1710 | 2.024-39 | 2.750 | 5.000 | EY 6-4-8331-1X |
| 3 | 1710 | 2.024-39 | 2.750 | 5.875 | EY 6-4-8361-1X <i>High angle yoke</i> |
| 3 | 1810 | 2.024-39 | 2.750 | 5.188 | EY 6.5-4-3261 |
| 3 | 1810 | 2.024-39 | 2.750 | 5.188 | EY 6.5-4-4281-1X |

SW-50C, SW-58C

| | | | | | |
|---|------|----------|-------|-------|---------------------------------------|
| 1 | 1710 | 2.374-46 | 3.500 | 5.156 | EY 6-4-5841 |
| 1 | 1710 | 2.374-46 | 3.500 | 5.156 | EY 6-4-8341-1X |
| 1 | 1760 | 2.374-46 | 3.500 | 5.375 | EY 6.3-4-1391-1X |
| 1 | 1760 | 2.374-46 | 3.500 | 5.375 | EY 6.3-4-391 |
| 1 | 1810 | 2.374-46 | 3.500 | 5.406 | EY 6.5-4-3251 |
| 1 | 1810 | 2.374-46 | 3.500 | 5.406 | EY 6.5-4-4271-1X |
| 2 | 1610 | 2.024-39 | 2.750 | 4.500 | EY 5-4-5881 |
| 2 | 1710 | 2.024-39 | 2.750 | 5.000 | EY 6-4-5851 |
| 2 | 1710 | 2.024-39 | 2.750 | 5.875 | EY 6-4-6571 <i>High angle yoke</i> |
| 2 | 1810 | 2.024-39 | 2.750 | 5.188 | EY 6.5-4-3261 |
| 3 | 1610 | 2.024-39 | 2.750 | 4.500 | EY 5-4-5881 |
| 3 | 1710 | 2.024-39 | 2.750 | 5.000 | EY 6-4-5851 |
| 3 | 1710 | 2.024-39 | 2.750 | 5.875 | EY 6-4-6571 <i>High angle yoke</i> |
| 3 | 1810 | 2.024-39 | 2.750 | 5.188 | EY 6.5-4-3261 |

SW-65C, SW-65W, SW-80W

| | | | | | |
|---|------|----------|-------|-------|------------------|
| 1 | 1760 | 2.500-10 | 3.500 | 5.406 | EY 6.3-4-1401-1X |
| 1 | 1760 | 2.500-10 | 3.500 | 5.406 | EY 6.3-4-151 |
| 2 | 1710 | 2.250-10 | 3.125 | 5.250 | EY 6-4-2441 |
| 3 | 1710 | 2.250-10 | 3.125 | 5.250 | EY 6-4-2441 |

SW-342C, SW-342W

| | | | | | |
|---|------|----------|-------|-------|---------------------------------------|
| 1 | 1710 | 2.374-46 | 3.500 | 5.156 | EY 6-4-5841 |
| 1 | 1710 | 2.374-46 | 3.500 | 5.156 | EY 6-4-8341-1X |
| 1 | 1760 | 2.374-46 | 3.500 | 5.375 | EY 6.3-4-1391-1X |
| 1 | 1760 | 2.374-46 | 3.500 | 5.375 | EY 6.3-4-391 |
| 1 | 1810 | 2.374-46 | 3.500 | 5.406 | EY 6.5-4-3251 |
| 1 | 1810 | 2.374-46 | 3.500 | 5.406 | EY 6.5-4-4271-1X |
| 2 | 1610 | 2.024-39 | 2.750 | 4.500 | EY 5-4-5881 |
| 2 | 1710 | 2.024-39 | 2.750 | 5.000 | EY 6-4-5851 |
| 2 | 1710 | 2.024-39 | 2.750 | 5.875 | EY 6-4-6571 <i>High angle yoke</i> |
| 2 | 1710 | 2.024-39 | 2.750 | 5.000 | EY 6-4-8331-1X |

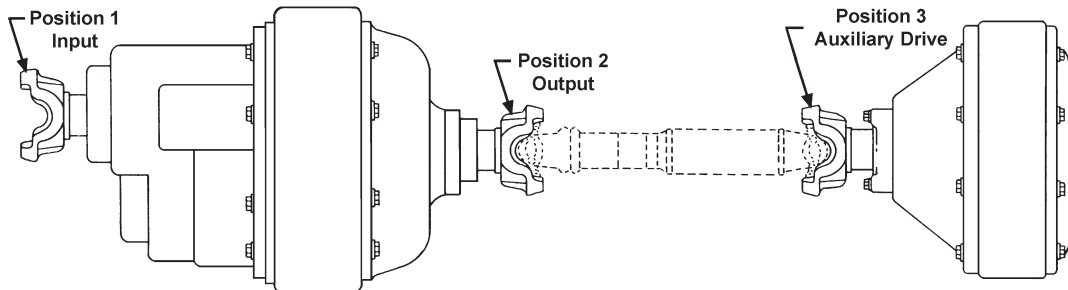
Continued on next page

*C/L to End of Hub for EY (End Yoke); Flange Face to End of Hub for CF (Companion Flange)

■ Hub machined for speedometer gear



Important: See Safety Information in General Information Section (J300P-GI)



| Pos | Series | Spline Data | Hub Dia | * to End of Hub | End Fitting Part Number |
|-----|--------|-------------|---------|-----------------|-------------------------|
|-----|--------|-------------|---------|-----------------|-------------------------|

SW-342C, SW-342W (Continued)

| | | | | | |
|---|------|----------|-------|-------|--|
| 2 | 1710 | 2.024-39 | 2.750 | 5.875 | EY 6-4-8361-1X <i>High angle yoke</i> |
| 2 | 1810 | 2.024-39 | 2.750 | 5.188 | EY 6.5-4-3261 |
| 2 | 1810 | 2.024-39 | 2.750 | 5.188 | EY 6.5-4-4281-1X |
| 3 | 1610 | 2.024-39 | 2.750 | 4.500 | EY 5-4-5881 |
| 3 | 1710 | 2.024-39 | 2.750 | 5.000 | EY 6-4-5851 |
| 3 | 1710 | 2.024-39 | 2.750 | 5.875 | EY 6-4-6571 <i>High angle yoke</i> |
| 3 | 1710 | 2.024-39 | 2.750 | 5.000 | EY 6-4-8331-1X |
| 3 | 1710 | 2.024-39 | 2.750 | 5.875 | EY 6-4-8361-1X <i>High angle yoke</i> |
| 3 | 1810 | 2.024-39 | 2.750 | 5.188 | EY 6.5-4-3261 |
| 3 | 1810 | 2.024-39 | 2.750 | 5.188 | EY 6.5-4-4281-1X |

SW-440C

| | | | | | |
|---|------|----------|-------|-------|---------------------------------------|
| 1 | 1710 | 2.374-46 | 3.500 | 5.156 | EY 6-4-5841 |
| 1 | 1710 | 2.374-46 | 3.500 | 5.156 | EY 6-4-8341-1X |
| 1 | 1760 | 2.374-46 | 3.500 | 5.375 | EY 6.3-4-1391-1X |
| 1 | 1760 | 2.374-46 | 3.500 | 5.375 | EY 6.3-4-391 |
| 1 | 1810 | 2.374-46 | 3.500 | 5.406 | EY 6.5-4-3251 |
| 1 | 1810 | 2.374-46 | 3.500 | 5.406 | EY 6.5-4-4271-1X |
| 2 | 1610 | 2.024-39 | 2.750 | 4.500 | EY 5-4-5881 |
| 2 | 1710 | 2.024-39 | 2.750 | 5.000 | EY 6-4-5851 |
| 2 | 1710 | 2.024-39 | 2.750 | 5.875 | EY 6-4-6571 <i>High angle yoke</i> |
| 3 | 1610 | 2.024-39 | 2.750 | 4.500 | EY 5-4-5881 |
| 3 | 1710 | 2.024-39 | 2.750 | 5.000 | EY 6-4-5851 |
| 3 | 1710 | 2.024-39 | 2.750 | 5.875 | EY 6-4-6571 <i>High angle yoke</i> |

SW-441C

| | | | | | |
|---|------|----------|-------|-------|---------------------------------------|
| 1 | 1710 | 2.374-46 | 3.500 | 5.156 | EY 6-4-5841 |
| 1 | 1710 | 2.374-46 | 3.500 | 5.156 | EY 6-4-8341-1X |
| 1 | 1760 | 2.374-46 | 3.500 | 5.375 | EY 6.3-4-1391-1X |
| 1 | 1760 | 2.374-46 | 3.500 | 5.375 | EY 6.3-4-391 |
| 1 | 1810 | 2.374-46 | 3.500 | 5.406 | EY 6.5-4-3251 |
| 1 | 1810 | 2.374-46 | 3.500 | 5.406 | EY 6.5-4-4271-1X |
| 2 | 1610 | 2.024-39 | 2.750 | 4.500 | EY 5-4-5881 |
| 2 | 1710 | 2.024-39 | 2.750 | 5.000 | EY 6-4-5851 |
| 2 | 1710 | 2.024-39 | 2.750 | 5.875 | EY 6-4-6571 <i>High angle yoke</i> |
| 2 | 1810 | 2.024-39 | 2.750 | 5.188 | EY 6.5-4-3261 |
| 3 | 1610 | 2.024-39 | 2.750 | 4.500 | EY 5-4-5881 |
| 3 | 1710 | 2.024-39 | 2.750 | 5.000 | EY 6-4-5851 |
| 3 | 1710 | 2.024-39 | 2.750 | 5.875 | EY 6-4-6571 <i>High angle yoke</i> |
| 3 | 1810 | 2.024-39 | 2.750 | 5.188 | EY 6.5-4-3261 |

SWB-38C

| | | | | | |
|---|--------|----------|-------|-------|------------------|
| 1 | SPL170 | 2.374-46 | 3.500 | 5.880 | EY 170-4-1211-1 |
| 1 | SPL170 | 2.374-46 | 3.500 | 5.880 | EY 170-4-1221-1X |

| Pos | Series | Spline Data | Hub Dia | * to End of Hub | End Fitting Part Number |
|-----|--------|-------------|---------|-----------------|-------------------------|
|-----|--------|-------------|---------|-----------------|-------------------------|

SWB-38C (Continued)

| | | | | | |
|---|--------|----------|-------|-------|--|
| 1 | SPL250 | 2.374-46 | 3.500 | 6.140 | EY 250-4-641-1 |
| 1 | SPL250 | 2.374-46 | 3.500 | 6.140 | EY 250-4-651-1X |
| 1 | 1710 | 2.374-46 | 3.500 | 5.156 | EY 6-4-5841 |
| 1 | 1710 | 2.374-46 | 3.500 | 5.156 | EY 6-4-8341-1X |
| 1 | 1760 | 2.374-46 | 3.500 | 5.375 | EY 6.3-4-1391-1X |
| 1 | 1760 | 2.374-46 | 3.500 | 5.375 | EY 6.3-4-391 |
| 1 | 1810 | 2.374-46 | 3.500 | 5.406 | EY 6.5-4-3251 |
| 1 | 1810 | 2.374-46 | 3.500 | 5.406 | EY 6.5-4-4271-1X |
| 2 | SPL170 | 2.024-39 | 2.750 | 5.370 | EY 170-4-1251-1 <i>High angle yoke</i> |
| 2 | 1610 | 2.024-39 | 2.750 | 4.500 | EY 5-4-5881 |
| 2 | 1710 | 2.024-39 | 2.750 | 5.000 | EY 6-4-5851 |
| 2 | 1710 | 2.024-39 | 2.750 | 5.875 | EY 6-4-6571 <i>High angle yoke</i> |
| 2 | 1710 | 2.024-39 | 2.750 | 5.000 | EY 6-4-8331-1X |
| 2 | 1710 | 2.024-39 | 2.750 | 5.875 | EY 6-4-8361-1X <i>High angle yoke</i> |
| 2 | 1810 | 2.024-39 | 2.750 | 5.188 | EY 6.5-4-3261 |
| 2 | 1810 | 2.024-39 | 2.750 | 5.188 | EY 6.5-4-4281-1X |
| 3 | SPL170 | 2.024-39 | 2.750 | 5.370 | EY 170-4-1251-1 <i>High angle yoke</i> |
| 3 | SPL170 | 2.024-39 | 2.750 | 5.370 | EY 170-4-1261-1X <i>High angle yoke</i> |
| 3 | 1610 | 2.024-39 | 2.750 | 4.500 | EY 5-4-5881 |
| 3 | 1710 | 2.024-39 | 2.750 | 5.000 | EY 6-4-5851 |
| 3 | 1710 | 2.024-39 | 2.750 | 5.875 | EY 6-4-6571 <i>High angle yoke</i> |
| 3 | 1710 | 2.024-39 | 2.750 | 5.000 | EY 6-4-8331-1X |
| 3 | 1710 | 2.024-39 | 2.750 | 5.875 | EY 6-4-8361-1X <i>High angle yoke</i> |
| 3 | 1810 | 2.024-39 | 2.750 | 5.188 | EY 6.5-4-3261 |
| 3 | 1810 | 2.024-39 | 2.750 | 5.188 | EY 6.5-4-4281-1X |

SWB-38W, SWB-342C, SWB-342W

| | | | | | |
|---|------|----------|-------|-------|--|
| 1 | 1710 | 2.374-46 | 3.500 | 5.156 | EY 6-4-5841 |
| 1 | 1710 | 2.374-46 | 3.500 | 5.156 | EY 6-4-8341-1X |
| 1 | 1760 | 2.374-46 | 3.500 | 5.375 | EY 6.3-4-1391-1X |
| 1 | 1760 | 2.374-46 | 3.500 | 5.375 | EY 6.3-4-391 |
| 1 | 1810 | 2.374-46 | 3.500 | 5.406 | EY 6.5-4-3251 |
| 1 | 1810 | 2.374-46 | 3.500 | 5.406 | EY 6.5-4-4271-1X |
| 2 | 1610 | 2.024-39 | 2.750 | 4.500 | EY 5-4-5881 |
| 2 | 1710 | 2.024-39 | 2.750 | 5.000 | EY 6-4-5851 |
| 2 | 1710 | 2.024-39 | 2.750 | 5.875 | EY 6-4-6571 <i>High angle yoke</i> |
| 2 | 1710 | 2.024-39 | 2.750 | 5.000 | EY 6-4-8331-1X |
| 2 | 1710 | 2.024-39 | 2.750 | 5.875 | EY 6-4-8361-1X <i>High angle yoke</i> |
| 2 | 1810 | 2.024-39 | 2.750 | 5.188 | EY 6.5-4-3261 |
| 2 | 1810 | 2.024-39 | 2.750 | 5.188 | EY 6.5-4-4281-1X |
| 3 | 1610 | 2.024-39 | 2.750 | 4.500 | EY 5-4-5881 |

*C/L to End of Hub for EY (End Yoke); Flange Face to End of Hub for CF (Companion Flange)

■ Hub machined for speedometer gear



| Pos | Series | Spline Data | Hub Dia | * to End of Hub | End Fitting Part Number |
|--|--------|-------------|---------|-----------------|--|
| SWB-38W, SWB-342C, SWB-342W (Continued) | | | | | |
| 3 | 1710 | 2.024-39 | 2.750 | 5.000 | EY 6-4-5851 |
| 3 | 1710 | 2.024-39 | 2.750 | 5.875 | EY 6-4-6571 <i>High angle yoke</i> |
| 3 | 1710 | 2.024-39 | 2.750 | 5.000 | EY 6-4-8331-1X |
| 3 | 1710 | 2.024-39 | 2.750 | 5.875 | EY 6-4-8361-1X <i>High angle yoke</i> |
| 3 | 1810 | 2.024-39 | 2.750 | 5.188 | EY 6.5-4-3261 |
| 3 | 1810 | 2.024-39 | 2.750 | 5.188 | EY 6.5-4-4281-1X |

| | | | | | |
|-------------------------|------|----------|-------|-------|----------------|
| SWH-562, SWH-762 | | | | | |
| 2 | 1610 | 2.032-10 | 2.750 | 4.500 | EY 5-4-4401 |
| 2 | 1710 | 2.032-10 | 2.750 | 5.000 | EY 6-4-3791 |
| 2 | 1810 | 2.031-10 | 2.750 | 5.250 | EY 6.5-4-2261 |
| 3 | 1610 | 2.032-10 | 2.750 | 4.500 | EY 5-4-4401 |
| 3 | 1710 | 2.032-10 | 2.750 | 5.000 | EY 6-4-3791 |
| 3 | 1710 | 2.500-10 | 3.500 | 5.156 | EY 6-4-4421 |
| 3 | 1710 | 2.500-10 | 3.500 | 5.156 | EY 6-4-8351-1X |
| 3 | 1810 | 2.500-10 | 3.500 | 5.406 | EY 6.5-4-2101 |
| 3 | 1810 | 2.031-10 | 2.750 | 5.250 | EY 6.5-4-2261 |

| | | | | | |
|-----------------|------|----------|-------|-------|---------------------------------------|
| SWP-800W | | | | | |
| 1 | 1710 | 2.374-46 | 3.500 | 5.156 | EY 6-4-5841 |
| 1 | 1710 | 2.374-46 | 3.500 | 5.156 | EY 6-4-8341-1X |
| 1 | 1760 | 2.374-46 | 3.500 | 5.375 | EY 6.3-4-1391-1X |
| 1 | 1760 | 2.374-46 | 3.500 | 5.375 | EY 6.3-4-391 |
| 1 | 1810 | 2.374-46 | 3.500 | 5.406 | EY 6.5-4-3251 |
| 1 | 1810 | 2.374-46 | 3.500 | 5.406 | EY 6.5-4-4271-1X |
| 2 | 1610 | 2.024-39 | 2.750 | 4.500 | EY 5-4-5881 |
| 2 | 1710 | 2.024-39 | 2.750 | 5.000 | EY 6-4-5851 |
| 2 | 1710 | 2.024-39 | 2.750 | 5.875 | EY 6-4-6571 <i>High angle yoke</i> |
| 2 | 1810 | 2.024-39 | 2.750 | 5.188 | EY 6.5-4-3261 |
| 3 | 1610 | 2.024-39 | 2.750 | 4.500 | EY 5-4-5881 |
| 3 | 1710 | 2.024-39 | 2.750 | 5.000 | EY 6-4-5851 |
| 3 | 1710 | 2.024-39 | 2.750 | 5.875 | EY 6-4-6571 <i>High angle yoke</i> |
| 3 | 1810 | 2.024-39 | 2.750 | 5.188 | EY 6.5-4-3261 |

| | | | | | |
|-----------------|------|----------|-------|-------|------------------|
| SWP-801W | | | | | |
| 1 | 1760 | 2.500-10 | 3.500 | 5.406 | EY 6.3-4-1401-1X |
| 1 | 1760 | 2.500-10 | 3.500 | 5.406 | EY 6.3-4-151 |
| 2 | 1710 | 2.250-10 | 3.125 | 5.250 | EY 6-4-2441 |
| 3 | 1710 | 2.250-10 | 3.125 | 5.250 | EY 6-4-2441 |

| | | | | | |
|---------------|------|----------|-------|-------|----------------|
| SWS-56 | | | | | |
| 2 | 1610 | 2.032-10 | 2.750 | 4.500 | EY 5-4-4401 |
| 2 | 1710 | 2.032-10 | 2.750 | 5.000 | EY 6-4-3791 |
| 2 | 1810 | 2.031-10 | 2.750 | 5.250 | EY 6.5-4-2261 |
| 3 | 1610 | 2.032-10 | 2.750 | 4.500 | EY 5-4-4401 |
| 3 | 1710 | 2.032-10 | 2.750 | 5.000 | EY 6-4-3791 |
| 3 | 1710 | 2.500-10 | 3.500 | 5.156 | EY 6-4-4421 |
| 3 | 1710 | 2.500-10 | 3.500 | 5.156 | EY 6-4-8351-1X |
| 3 | 1810 | 2.500-10 | 3.500 | 5.406 | EY 6.5-4-2101 |
| 3 | 1810 | 2.031-10 | 2.750 | 5.250 | EY 6.5-4-2261 |

| | | | | | |
|---|------|----------|-------|-------|---------------|
| SWS-57, SWS-68, SWS-56, SWS-57, SWS-68 | | | | | |
| 2 | 1610 | 2.032-10 | 2.750 | 4.500 | EY 5-4-4401 |
| 2 | 1710 | 2.032-10 | 2.750 | 5.000 | EY 6-4-3791 |
| 2 | 1810 | 2.031-10 | 2.750 | 5.250 | EY 6.5-4-2261 |
| 3 | 1610 | 2.032-10 | 2.750 | 4.500 | EY 5-4-4401 |
| 3 | 1710 | 2.032-10 | 2.750 | 5.000 | EY 6-4-3791 |
| 3 | 1710 | 2.500-10 | 3.500 | 5.156 | EY 6-4-4421 |

| Pos | Series | Spline Data | Hub Dia | * to End of Hub | End Fitting Part Number |
|---|--------|-------------|---------|-----------------|-------------------------|
| SWS-57, SWS-68, SWS-56, SWS-57, SWS-68 (Continued) | | | | | |
| 3 | 1710 | 2.500-10 | 3.500 | 5.156 | EY 6-4-8351-1X |
| 3 | 1810 | 2.500-10 | 3.500 | 5.406 | EY 6.5-4-2101 |
| 3 | 1810 | 2.031-10 | 2.750 | 5.250 | EY 6.5-4-2261 |
| SWS-69 | | | | | |
| 1 | 1710 | 2.500-10 | 3.500 | 5.156 | EY 6-4-4421 |
| 1 | 1710 | 2.500-10 | 3.500 | 5.156 | EY 6-4-8351-1X |
| 1 | 1810 | 2.500-10 | 3.500 | 5.406 | EY 6.5-4-2101 |
| 2 | 1710 | 2.250-10 | 3.125 | 5.250 | EY 6-4-2441 |
| 2 | 1810 | 2.250-10 | 3.125 | 5.375 | EY 6.5-4-2141 |
| 2 | 1810 | 2.250-10 | 3.125 | 5.375 | EY 6.5-4-4221-1X |

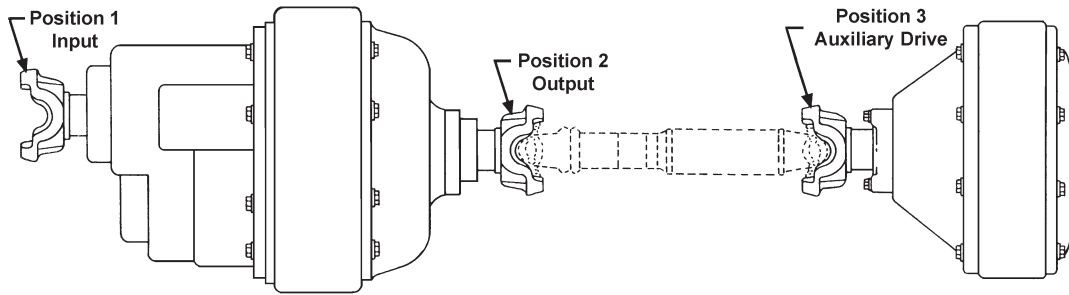
| | | | | | |
|---------------------------------|------|----------|-------|-------|----------------|
| SWS-76, SWS-562, SWS-762 | | | | | |
| 2 | 1610 | 2.032-10 | 2.750 | 4.500 | EY 5-4-4401 |
| 2 | 1710 | 2.032-10 | 2.750 | 5.000 | EY 6-4-3791 |
| 2 | 1810 | 2.031-10 | 2.750 | 5.250 | EY 6.5-4-2261 |
| 3 | 1610 | 2.032-10 | 2.750 | 4.500 | EY 5-4-4401 |
| 3 | 1710 | 2.032-10 | 2.750 | 5.000 | EY 6-4-3791 |
| 3 | 1710 | 2.500-10 | 3.500 | 5.156 | EY 6-4-4421 |
| 3 | 1710 | 2.500-10 | 3.500 | 5.156 | EY 6-4-8351-1X |
| 3 | 1810 | 2.500-10 | 3.500 | 5.406 | EY 6.5-4-2101 |
| 3 | 1810 | 2.031-10 | 2.750 | 5.250 | EY 6.5-4-2261 |

*C/L to End of Hub for EY (End Yoke); Flange Face to End of Hub for CF (Companion Flange)

■ Hub machined for speedometer gear



Important: See Safety Information in General Information Section (J300P-GI)



| Pos | Series | Spline Data | Hub Dia | * to End of Hub | End Fitting Part Number |
|-----|--------|-------------|---------|-----------------|-------------------------|
|-----|--------|-------------|---------|-----------------|-------------------------|

OSHKOSH

TAK-4

| | | | | | |
|---|--------|----------|-------|-------|------------------|
| 2 | SPL170 | 1.998-38 | 3.000 | 4.898 | EY 170-4-1961-1X |
| 3 | SPL170 | 1.998-38 | 3.000 | 4.898 | EY 170-4-1961-1X |

MERITOR/ROCKWELL

MT-14X

| | | | | | |
|---|--------|----------|-------|-------|--|
| 1 | SPL350 | 2.390-46 | 3.252 | 5.551 | EY 350-4-61-1X |
| 2 | SPL250 | 2.024-39 | 3.000 | 5.300 | EY 250-4-311-1 <i>Counterbore at hub end.</i> |

MT-160

| | | | | | |
|---|--------|----------|-------|-------|----------------|
| 1 | SPL350 | 2.390-46 | 3.252 | 5.551 | EY 350-4-61-1X |
|---|--------|----------|-------|-------|----------------|

RT--140**

| | | | | | |
|---|--------|----------|-------|-------|---|
| 1 | SPL140 | 2.024-39 | 3.000 | 5.680 | EY 140-4-211-1 |
| 1 | SPL170 | 1.774-34 | 2.500 | 5.031 | EY 170-4-1751-1X |
| 1 | SPL170 | 2.024-39 | 3.000 | 5.090 | EY 170-4-641-1 |
| 1 | SPL170 | 2.024-39 | 3.000 | 5.090 | EY 170-4-681-1X |
| 1 | SPL250 | 2.024-39 | 3.000 | 5.300 | EY 250-4-311-1 <i>Counterbore at hub end.</i> |
| 1 | SPL250 | 2.024-39 | 3.000 | 5.300 | EY 250-4-321-1X <i>Counterbore at hub end.</i> |
| 1 | 1610 | 2.024-39 | 3.000 | 4.875 | EY 5-4-6421 |
| 1 | 1610 | 2.024-39 | 3.000 | 4.875 | EY 5-4-6421-1 |
| 1 | 1610 | 2.024-39 | 3.000 | 4.875 | EY 5-4-6431-1X |
| 1 | 1610 | 2.024-39 | 3.000 | 4.875 | EY 5-4-6431X |
| 1 | 1710 | 2.024-39 | 3.000 | 6.250 | EY 6-4-6371 <i>High angle yoke</i> |
| 1 | 1710 | 2.024-39 | 3.000 | 6.250 | EY 6-4-6381X <i>High angle yoke</i> |
| 1 | 1710 | 2.024-39 | 3.000 | 5.156 | EY 6-4-7621-1 |
| 1 | 1760 | 2.024-39 | 3.000 | 5.188 | EY 6.3-4-531 |
| 1 | 1760 | 2.024-39 | 3.000 | 5.188 | EY 6.3-4-531-1 |
| 1 | 1760 | 2.024-39 | 3.000 | 5.188 | EY 6.3-4-541-1X |
| 1 | 1760 | 2.024-39 | 3.000 | 5.188 | EY 6.3-4-541X |
| 1 | 1810 | 2.390-46 | 3.250 | 5.062 | EY 5004767 |
| 1 | 1810 | 2.024-39 | 3.000 | 5.190 | EY 6.5-4-3371 |
| 1 | 1810 | 2.024-39 | 3.000 | 5.190 | EY 6.5-4-3371-1 |
| 1 | 1810 | 2.024-39 | 3.000 | 5.190 | EY 6.5-4-3381-1X |
| 1 | 1810 | 2.024-39 | 3.000 | 5.190 | EY 6.5-4-3381X |
| 2 | SPL170 | 1.774-34 | 2.500 | 5.031 | EY 170-4-621-1 |
| 2 | SPL170 | 1.774-34 | 2.500 | 6.440 | EY 170-4-631-1 <i>High angle yoke</i> |
| 2 | 1610 | 1.774-34 | 2.500 | 6.062 | EY 5-4-6251 <i>High angle yoke</i> |
| 2 | 1610 | 1.774-34 | 2.500 | 5.438 | EY 5-4-6261 |
| 2 | 1610 | 1.774-34 | 2.500 | 5.438 | EY 5-4-6261-1 |
| 2 | 1710 | 1.774-34 | 2.500 | 5.969 | EY 6-4-6321 <i>High angle yoke</i> |
| 2 | 1710 | 1.774-34 | 2.500 | 5.969 | EY 6-4-6321-1 <i>High angle yoke</i> |

| Pos | Series | Spline Data | Hub Dia | * to End of Hub | End Fitting Part Number |
|-----|--------|-------------|---------|-----------------|-------------------------|
|-----|--------|-------------|---------|-----------------|-------------------------|

RT--140 (Continued)**

| | | | | | |
|---|--------|----------|-------|-------|---|
| 2 | 1710 | 1.774-34 | 2.500 | 4.875 | EY 6-4-6331 |
| 2 | 1710 | 1.774-34 | 2.500 | 4.875 | EY 6-4-6331-1 |
| 3 | SPL140 | 2.024-39 | 3.000 | 5.680 | EY 140-4-211-1 |
| 3 | SPL140 | 2.024-39 | 3.000 | 5.680 | EY 140-4-231-1X |
| 3 | SPL170 | 2.024-39 | 3.000 | 5.090 | EY 170-4-641-1 |
| 3 | SPL170 | 2.024-39 | 3.000 | 5.090 | EY 170-4-651-1X |
| 3 | SPL170 | 2.024-39 | 3.000 | 6.391 | EY 170-4-661-1 <i>High angle yoke</i> |
| 3 | SPL170 | 2.024-39 | 3.000 | 6.391 | EY 170-4-671-1X <i>High angle yoke</i> |
| 3 | SPL170 | 2.024-39 | 3.000 | 5.090 | EY 170-4-681-1X |
| 3 | SPL90 | 2.024-39 | 3.000 | 4.625 | EY 90-4-311-1 |
| 3 | SPL90 | 2.024-39 | 3.000 | 4.625 | EY 90-4-321-1X |
| 3 | 1480 | 2.024-39 | 3.000 | 4.281 | EY 3-4-8861 |
| 3 | 1480 | 2.024-39 | 3.000 | 4.281 | EY 3-4-8871X |
| 3 | 1550 | 2.024-39 | 3.000 | 5.000 | EY 4-4-5261-1 |
| 3 | 1550 | 2.024-39 | 3.000 | 5.000 | EY 4-4-6731-1X |
| 3 | 1610 | 2.024-39 | 3.000 | 6.219 | EY 5-4-6241 <i>High angle yoke</i> |
| 3 | 1610 | 2.024-39 | 3.000 | 6.219 | EY 5-4-6241-1 <i>High angle yoke</i> |
| 3 | 1610 | 2.024-39 | 3.000 | 5.531 | EY 5-4-6271 |
| 3 | 1610 | 2.024-39 | 3.000 | 5.531 | EY 5-4-6281X |
| 3 | 1610 | 2.024-39 | 3.000 | 6.219 | EY 5-4-6291-1X <i>High angle yoke</i> |
| 3 | 1610 | 2.024-39 | 3.000 | 6.219 | EY 5-4-6291X <i>High angle yoke</i> |
| 3 | 1610 | 2.024-39 | 3.000 | 4.875 | EY 5-4-6421-1 |
| 3 | 1610 | 2.024-39 | 3.000 | 4.875 | EY 5-4-6441-1X |
| 3 | 1710 | 2.024-39 | 3.000 | 6.250 | EY 6-4-6371 <i>High angle yoke</i> |
| 3 | 1710 | 2.024-39 | 3.000 | 6.250 | EY 6-4-6371-1 <i>High angle yoke</i> |
| 3 | 1710 | 2.024-39 | 3.000 | 6.250 | EY 6-4-6391-1X <i>High angle yoke</i> |
| 3 | 1710 | 2.024-39 | 3.000 | 6.250 | EY 6-4-6391X <i>High angle yoke</i> |
| 3 | 1710 | 2.024-39 | 3.000 | 5.156 | EY 6-4-6401 |
| 3 | 1710 | 2.024-39 | 3.000 | 5.156 | EY 6-4-6421X |
| 3 | 1710 | 2.024-39 | 3.000 | 5.156 | EY 6-4-7621-1 |
| 3 | 1710 | 2.024-39 | 3.000 | 5.156 | EY 6-4-7641-1X |
| 3 | 1710 | 2.024-39 | 3.000 | 5.156 | EY 6-4-8601-1X |
| 3 | 1760 | 2.024-39 | 3.000 | 5.188 | EY 6.3-4-1141-1X |
| 3 | 1760 | 2.024-39 | 3.000 | 5.188 | EY 6.3-4-531 |
| 3 | 1760 | 2.024-39 | 3.000 | 5.188 | EY 6.3-4-531-1 |
| 3 | 1810 | 2.024-39 | 3.000 | 5.190 | EY 6.5-4-3371 |
| 3 | 1810 | 2.024-39 | 3.000 | 5.190 | EY 6.5-4-3371-1 |
| 3 | 1810 | 2.024-39 | 3.000 | 5.190 | EY 6.5-4-3381-1X |
| 3 | 1810 | 2.024-39 | 3.000 | 5.190 | EY 6.5-4-3381X |

*C/L to End of Hub for EY (End Yoke); Flange Face to End of Hub for CF (Companion Flange)

■ Hub machined for speedometer gear



| Pos | Series | Spline Data | Hub Dia | * to End of Hub | End Fitting Part Number |
|------------------|--------|-------------|---------|-----------------|---|
| RT-**-145 | | | | | |
| 1 | SPL140 | 2.390-46 | 3.250 | 5.660 | EY 140-4-03557-1X |
| 1 | SPL140 | 2.390-46 | 3.250 | 5.660 | EY 140-4-301-1 |
| 1 | SPL140 | 2.390-46 | 3.250 | 5.660 | EY 140-4-311-1X |
| 1 | SPL140 | 2.390-46 | 3.250 | 5.660 | EY 5003557 |
| 1 | SPL170 | 2.390-46 | 3.250 | 5.100 | EY 170-4-03558-1X |
| 1 | SPL170 | 2.390-46 | 3.250 | 6.438 | EY 170-4-03559-1X |
| 1 | SPL170 | 2.390-46 | 3.250 | 5.100 | EY 170-4-711-1 |
| 1 | SPL170 | 2.390-46 | 3.250 | 5.100 | EY 170-4-721-1X |
| 1 | SPL170 | 2.390-46 | 3.250 | 6.438 | EY 170-4-731-1 |
| 1 | SPL170 | 2.390-46 | 3.250 | 6.438 | EY 170-4-741-1X <i>High angle yoke</i> |
| 1 | SPL170 | 2.390-46 | 3.250 | 5.100 | EY 5003558 |
| 1 | SPL250 | 2.390-46 | 3.250 | 5.312 | EY 250-4-03560-1X |
| 1 | SPL250 | 2.390-46 | 3.250 | 5.312 | EY 250-4-1041-1X |
| 1 | SPL250 | 2.390-46 | 3.250 | 5.312 | EY 250-4-341-1 |
| 1 | SPL250 | 2.390-46 | 3.250 | 5.312 | EY 250-4-351-1X |
| 1 | SPL90 | 2.390-46 | 3.250 | 4.641 | EY 90-4-331-1 |
| 1 | SPL90 | 2.390-46 | 3.250 | 4.641 | EY 90-4-341-1X |
| 1 | 1610 | 2.024-39 | 3.000 | 4.875 | EY 5-4-6431-1X |
| 1 | 1610 | 2.390-46 | 3.250 | 4.938 | EY 5-4-7331-1 |
| 1 | 1610 | 2.390-46 | 3.250 | 4.938 | EY 5-4-7341-1X |
| 1 | 1710 | 2.390-46 | 3.250 | 5.391 | EY 5003553 |
| 1 | 1710 | 2.390-46 | 3.250 | 5.391 | EY 6-4-03553-1X |
| 1 | 1710 | 2.024-39 | 3.000 | 6.250 | EY 6-4-6381X <i>High angle yoke</i> |
| 1 | 1710 | 2.024-39 | 3.000 | 6.250 | EY 6-4-6391X <i>High angle yoke</i> |
| 1 | 1710 | 2.024-39 | 3.000 | 5.156 | EY 6-4-6411X |
| 1 | 1710 | 2.390-46 | 3.250 | 5.391 | EY 6-4-7161 |
| 1 | 1710 | 2.390-46 | 3.250 | 5.391 | EY 6-4-7161-1 |
| 1 | 1710 | 2.390-46 | 3.250 | 5.391 | EY 6-4-7181-1X |
| 1 | 1710 | 2.390-46 | 3.250 | 5.391 | EY 6-4-7181X |
| 1 | 1710 | 2.024-39 | 3.000 | 5.156 | EY 6-4-7641-1X |
| 1 | 1710 | 2.390-46 | 3.250 | 6.500 | EY 6-4-7761 <i>High angle yoke</i> |
| 1 | 1710 | 2.390-46 | 3.250 | 6.500 | EY 6-4-7761-1 <i>High angle yoke</i> |
| 1 | 1710 | 2.390-46 | 3.250 | 6.500 | EY 6-4-7771-1X <i>High angle yoke</i> |
| 1 | 1710 | 2.390-46 | 3.250 | 6.500 | EY 6-4-7771X <i>High angle yoke</i> |
| 1 | 1710 | 2.024-39 | 3.000 | 5.156 | EY 6-4-8601-1X |
| 1 | 1760 | 2.390-46 | 3.250 | 5.062 | EY 5003555 |
| 1 | 1760 | 2.390-46 | 3.250 | 5.062 | EY 6.3-4-03555-1X |
| 1 | 1760 | 2.390-46 | 3.250 | 5.062 | EY 6.3-4-1031 |
| 1 | 1760 | 2.390-46 | 3.250 | 5.062 | EY 6.3-4-1031-1 |
| 1 | 1760 | 2.390-46 | 3.250 | 5.062 | EY 6.3-4-1041-1X |
| 1 | 1760 | 2.390-46 | 3.250 | 5.062 | EY 6.3-4-1041X |
| 1 | 1760 | 2.024-39 | 3.000 | 5.188 | EY 6.3-4-541-1X |
| 1 | 1760 | 2.024-39 | 3.000 | 5.188 | EY 6.3-4-541X |
| 1 | 1810 | 2.390-46 | 3.250 | 5.156 | EY 5003556 |
| 1 | 1810 | 2.390-46 | 3.250 | 5.156 | EY 6.5-4-03556-1X |
| 1 | 1810 | 2.024-39 | 3.000 | 5.190 | EY 6.5-4-3371 |
| 1 | 1810 | 2.024-39 | 3.000 | 5.190 | EY 6.5-4-3371-1 |
| 1 | 1810 | 2.024-39 | 3.000 | 5.190 | EY 6.5-4-3381-1X |
| 1 | 1810 | 2.024-39 | 3.000 | 5.190 | EY 6.5-4-3381X |
| 1 | 1810 | 2.390-46 | 3.250 | 5.156 | EY 6.5-4-3721 |
| 1 | 1810 | 2.390-46 | 3.250 | 5.156 | EY 6.5-4-3721-1 |
| 1 | 1810 | 2.390-46 | 3.250 | 5.156 | EY 6.5-4-3731-1X |

| Pos | Series | Spline Data | Hub Dia | * to End of Hub | End Fitting Part Number |
|------------------------------|--------|-------------|---------|-----------------|--|
| RT-**-145 (Continued) | | | | | |
| 1 | 1810 | 2.390-46 | 3.250 | 5.156 | EY 6.5-4-3731X |
| 1 | 1810 | 2.390-46 | 3.250 | 5.156 | EY 6.5-4-5111X |
| 2 | SPL140 | 2.024-39 | 3.000 | 5.680 | EY 140-4-211-1 |
| 2 | SPL170 | 2.024-39 | 3.000 | 5.090 | EY 170-4-641-1 |
| 2 | SPL170 | 2.024-39 | 3.000 | 6.391 | EY 170-4-661-1 <i>High angle yoke</i> |
| 2 | SPL250 | 2.024-39 | 3.000 | 5.300 | EY 250-4-311-1 <i>Counterbore at hub end.</i> |
| 2 | 1610 | 2.024-39 | 3.000 | 6.219 | EY 5-4-6241 <i>High angle yoke</i> |
| 2 | 1610 | 2.024-39 | 3.000 | 6.219 | EY 5-4-6241-1 <i>High angle yoke</i> |
| 2 | 1610 | 2.024-39 | 3.000 | 5.531 | EY 5-4-6271 |
| 2 | 1610 | 2.024-39 | 3.000 | 5.531 | EY 5-4-6281X |
| 2 | 1710 | 2.024-39 | 3.000 | 6.250 | EY 6-4-6371 <i>High angle yoke</i> |
| 2 | 1710 | 2.024-39 | 3.000 | 6.250 | EY 6-4-6371-1 <i>High angle yoke</i> |
| 2 | 1710 | 2.024-39 | 3.000 | 5.156 | EY 6-4-6401 |
| 2 | 1710 | 2.024-39 | 3.000 | 5.156 | EY 6-4-7621-1 |
| 2 | 1810 | 2.024-39 | 3.000 | 5.190 | EY 6.5-4-3371 |
| 2 | 1810 | 2.024-39 | 3.000 | 5.190 | EY 6.5-4-3371-1 |
| 3 | SPL140 | 2.024-39 | 3.000 | 5.680 | EY 140-4-211-1 |
| 3 | SPL140 | 2.024-39 | 3.000 | 5.680 | EY 140-4-231-1X |
| 3 | SPL170 | 2.024-39 | 3.000 | 5.090 | EY 170-4-641-1 |
| 3 | SPL170 | 2.024-39 | 3.000 | 5.090 | EY 170-4-651-1X |
| 3 | SPL170 | 2.024-39 | 3.000 | 6.391 | EY 170-4-661-1 <i>High angle yoke</i> |
| 3 | SPL170 | 2.024-39 | 3.000 | 6.391 | EY 170-4-671-1X <i>High angle yoke</i> |
| 3 | SPL90 | 2.024-39 | 3.000 | 4.625 | EY 90-4-311-1 |
| 3 | SPL90 | 2.024-39 | 3.000 | 4.625 | EY 90-4-321-1X |
| 3 | 1480 | 2.024-39 | 3.000 | 4.281 | EY 3-4-8861 |
| 3 | 1480 | 2.024-39 | 3.000 | 4.281 | EY 3-4-8871X |
| 3 | 1550 | 2.024-39 | 3.000 | 5.000 | EY 4-4-5261-1 |
| 3 | 1550 | 2.024-39 | 3.000 | 5.000 | EY 4-4-6731-1X |
| 3 | 1610 | 2.024-39 | 3.000 | 6.219 | EY 5-4-6241 <i>High angle yoke</i> |
| 3 | 1610 | 2.024-39 | 3.000 | 6.219 | EY 5-4-6241-1 <i>High angle yoke</i> |
| 3 | 1610 | 2.024-39 | 3.000 | 5.531 | EY 5-4-6271 |
| 3 | 1610 | 2.024-39 | 3.000 | 5.531 | EY 5-4-6281X |
| 3 | 1610 | 2.024-39 | 3.000 | 6.219 | EY 5-4-6291-1X <i>High angle yoke</i> |
| 3 | 1610 | 2.024-39 | 3.000 | 6.219 | EY 5-4-6291X <i>High angle yoke</i> |
| 3 | 1610 | 2.024-39 | 3.000 | 4.875 | EY 5-4-6421-1 |
| 3 | 1610 | 2.024-39 | 3.000 | 4.875 | EY 5-4-6441-1X |
| 3 | 1710 | 2.024-39 | 3.000 | 6.250 | EY 6-4-6371 <i>High angle yoke</i> |
| 3 | 1710 | 2.024-39 | 3.000 | 6.250 | EY 6-4-6371-1 <i>High angle yoke</i> |
| 3 | 1710 | 2.024-39 | 3.000 | 6.250 | EY 6-4-6391-1X <i>High angle yoke</i> |
| 3 | 1710 | 2.024-39 | 3.000 | 6.250 | EY 6-4-6391X <i>High angle yoke</i> |
| 3 | 1710 | 2.024-39 | 3.000 | 5.156 | EY 6-4-6401 |
| 3 | 1710 | 2.024-39 | 3.000 | 5.156 | EY 6-4-6421X |
| 3 | 1710 | 2.024-39 | 3.000 | 5.156 | EY 6-4-7621-1 |
| 3 | 1710 | 2.024-39 | 3.000 | 5.156 | EY 6-4-7641-1X |

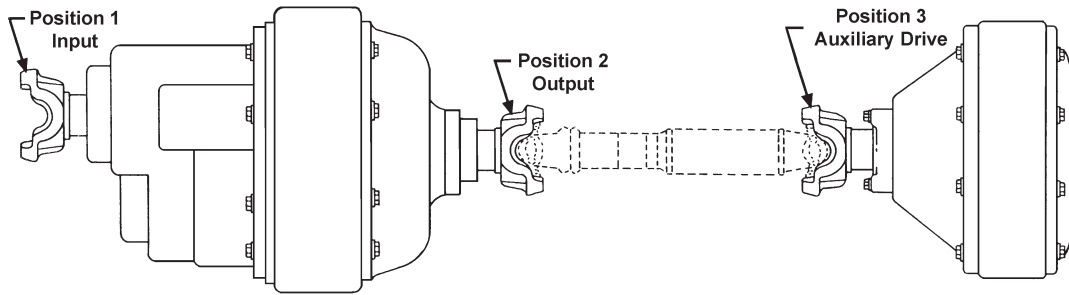
Continued on next page

*C/L to End of Hub for EY (End Yoke); Flange Face to End of Hub for CF (Companion Flange)

■ Hub machined for speedometer gear



Important: See Safety Information in General Information Section (J300P-GI)



| Pos | Series | Spline Data | Hub Dia | * to End of Hub | End Fitting Part Number |
|-----|--------|-------------|---------|-----------------|-------------------------|
|-----|--------|-------------|---------|-----------------|-------------------------|

RT--145 (Continued)**

| | | | | | |
|---|------|----------|-------|-------|--|
| 3 | 1710 | 2.024-39 | 3.000 | 6.250 | EY 6-4-8571-1X <i>High angle yoke</i> |
| 3 | 1710 | 2.024-39 | 3.000 | 6.250 | EY 6-4-8571X <i>High angle yoke</i> |
| 3 | 1760 | 2.024-39 | 3.000 | 5.188 | EY 6.3-4-1141-1X |
| 3 | 1760 | 2.024-39 | 3.000 | 5.188 | EY 6.3-4-531 |
| 3 | 1760 | 2.024-39 | 3.000 | 5.188 | EY 6.3-4-531-1 |
| 3 | 1760 | 2.024-39 | 3.000 | 5.188 | EY 6.3-4-541-1X |
| 3 | 1760 | 2.024-39 | 3.000 | 5.188 | EY 6.3-4-541X |
| 3 | 1810 | 2.024-39 | 3.000 | 5.190 | EY 6.5-4-3371 |
| 3 | 1810 | 2.024-39 | 3.000 | 5.190 | EY 6.5-4-3371-1 |
| 3 | 1810 | 2.024-39 | 3.000 | 5.190 | EY 6.5-4-3381-1X |
| 3 | 1810 | 2.024-39 | 3.000 | 5.190 | EY 6.5-4-3381X |

RT--150**

| | | | | | |
|---|------|----------|-------|-------|--|
| 1 | 1710 | 2.390-46 | 3.250 | 6.500 | EY 6-4-7771-1X <i>High angle yoke</i> |
| 3 | 1710 | 2.390-46 | 3.250 | 6.500 | EY 6-4-7771-1X <i>High angle yoke</i> |

RT--157**

| | | | | | |
|---|--------|----------|-------|-------|---|
| 1 | SPL250 | 2.374-46 | 3.250 | 5.610 | EY 250-4-771-1 |
| 1 | SPL250 | 2.374-46 | 3.250 | 5.610 | EY 250-4-781-1X |
| 1 | 1710 | 2.374-46 | 3.250 | 5.688 | EY 6-4-5451 |
| 1 | 1710 | 2.374-46 | 3.250 | 5.688 | EY 6-4-5451-1 |
| 1 | 1710 | 2.374-46 | 3.250 | 5.688 | EY 6-4-5461-1X |
| 1 | 1710 | 2.374-46 | 3.250 | 5.688 | EY 6-4-5461X |
| 1 | 1760 | 2.374-46 | 3.250 | 5.438 | EY 6.3-4-101 |
| 1 | 1760 | 2.374-46 | 3.250 | 5.438 | EY 6.3-4-101-1 |
| 1 | 1760 | 2.374-46 | 3.250 | 5.438 | EY 6.3-4-211-1X |
| 1 | 1760 | 2.374-46 | 3.250 | 5.438 | EY 6.3-4-211X |
| 1 | 1810 | 2.374-46 | 3.250 | 5.438 | EY 6.5-4-2701 |
| 1 | 1810 | 2.374-46 | 3.250 | 5.438 | EY 6.5-4-2701-1 |
| 1 | 1810 | 2.374-46 | 3.250 | 5.438 | EY 6.5-4-2711-1X |
| 1 | 1810 | 2.374-46 | 3.250 | 5.438 | EY 6.5-4-2711X |
| 2 | SPL140 | 2.024-39 | 2.750 | 5.250 | EY 140-4-1421-1 |
| 2 | 1610 | 2.024-39 | 2.750 | 5.125 | EY 5-4-5421 |
| 2 | 1610 | 2.024-39 | 2.750 | 5.938 | EY 5-4-5441 <i>High angle yoke</i> |
| 2 | 1710 | 2.024-39 | 2.750 | 6.500 | EY 6-4-5501 |
| 2 | 1710 | 2.024-39 | 2.750 | 6.500 | EY 6-4-5501-1 <i>High angle yoke</i> |
| 2 | 1710 | 2.024-39 | 2.750 | 5.250 | EY 6-4-5521 |
| 2 | 1710 | 2.024-39 | 2.750 | 5.250 | EY 6-4-5521-1 |
| 2 | 1810 | 2.024-39 | 2.750 | 5.531 | EY 6.5-4-2781 |
| 2 | 1810 | 2.024-39 | 2.750 | 5.625 | EY 6.5-4-2781-1 |
| 3 | SPL140 | 2.024-39 | 2.750 | 5.250 | EY 140-4-1421-1 |
| 3 | SPL140 | 2.024-39 | 2.750 | 5.250 | EY 140-4-1431-1X |
| 3 | 1610 | 2.024-39 | 2.750 | 5.125 | EY 5-4-5421 |
| 3 | 1610 | 2.024-39 | 2.750 | 5.938 | EY 5-4-5441 <i>High angle yoke</i> |

| Pos | Series | Spline Data | Hub Dia | * to End of Hub | End Fitting Part Number |
|-----|--------|-------------|---------|-----------------|-------------------------|
|-----|--------|-------------|---------|-----------------|-------------------------|

RT--157 (Continued)**

| | | | | | |
|---|------|----------|-------|-------|--|
| 3 | 1610 | 2.024-39 | 2.750 | 5.125 | EY 5-4-6951X |
| 3 | 1610 | 2.024-39 | 2.750 | 5.938 | EY 5-4-6961X <i>High angle yoke</i> |
| 3 | 1710 | 2.024-39 | 2.750 | 6.500 | EY 6-4-5501 |
| 3 | 1710 | 2.024-39 | 2.750 | 6.500 | EY 6-4-5501-1 <i>High angle yoke</i> |
| 3 | 1710 | 2.024-39 | 2.750 | 5.250 | EY 6-4-5521 |
| 3 | 1710 | 2.024-39 | 2.750 | 5.250 | EY 6-4-5521-1 |
| 3 | 1710 | 2.024-39 | 2.750 | 6.500 | EY 6-4-6871-1X <i>High angle yoke</i> |
| 3 | 1710 | 2.024-39 | 2.750 | 6.500 | EY 6-4-6871X |
| 3 | 1710 | 2.024-39 | 2.750 | 5.250 | EY 6-4-6951-1X |
| 3 | 1710 | 2.024-39 | 2.750 | 5.250 | EY 6-4-6951X |
| 3 | 1810 | 2.024-39 | 2.750 | 5.531 | EY 6.5-4-2781 |
| 3 | 1810 | 2.024-39 | 2.750 | 5.625 | EY 6.5-4-2781-1 |
| 3 | 1810 | 2.024-39 | 2.750 | 5.625 | EY 6.5-4-3571-1X |
| 3 | 1810 | 2.024-39 | 2.750 | 5.531 | EY 6.5-4-3571X |

RT--160**

| | | | | | |
|---|--------|----------|-------|-------|---|
| 1 | SPL140 | 2.390-46 | 3.250 | 5.660 | EY 140-4-03557-1X |
| 1 | SPL140 | 2.390-46 | 3.250 | 5.660 | EY 140-4-301-1 |
| 1 | SPL140 | 2.390-46 | 3.250 | 5.660 | EY 140-4-311-1X |
| 1 | SPL140 | 2.390-46 | 3.250 | 5.660 | EY 5003557 |
| 1 | SPL170 | 2.390-46 | 3.250 | 5.100 | EY 170-4-03558-1X |
| 1 | SPL170 | 2.390-46 | 3.250 | 6.438 | EY 170-4-03559-1X |
| 1 | SPL170 | 2.390-46 | 3.250 | 5.100 | EY 170-4-711-1 |
| 1 | SPL170 | 2.390-46 | 3.250 | 5.100 | EY 170-4-721-1X |
| 1 | SPL170 | 2.390-46 | 3.250 | 6.438 | EY 170-4-731-1 |
| 1 | SPL170 | 2.390-46 | 3.250 | 6.438 | EY 170-4-741-1X <i>High angle yoke</i> |
| 1 | SPL170 | 2.390-46 | 3.250 | 5.100 | EY 5003558 |
| 1 | SPL250 | 2.390-46 | 3.250 | 5.312 | EY 250-4-03560-1X |
| 1 | SPL250 | 2.390-46 | 3.250 | 5.312 | EY 250-4-1041-1X |
| 1 | SPL250 | 2.390-46 | 3.250 | 5.312 | EY 250-4-341-1 |
| 1 | SPL250 | 2.390-46 | 3.250 | 5.312 | EY 250-4-351-1X |
| 1 | SPL90 | 2.390-46 | 3.250 | 4.641 | EY 90-4-331-1 |
| 1 | SPL90 | 2.390-46 | 3.250 | 4.641 | EY 90-4-341-1X |
| 1 | 1610 | 2.390-46 | 3.250 | 4.938 | EY 5-4-7331-1 |
| 1 | 1610 | 2.390-46 | 3.250 | 4.938 | EY 5-4-7341-1X |
| 1 | 1710 | 2.390-46 | 3.250 | 5.391 | EY 5003553 |
| 1 | 1710 | 2.390-46 | 3.250 | 5.391 | EY 6-4-03553-1X |
| 1 | 1710 | 2.390-46 | 3.250 | 5.391 | EY 6-4-7161 |
| 1 | 1710 | 2.390-46 | 3.250 | 5.391 | EY 6-4-7161-1 |
| 1 | 1710 | 2.390-46 | 3.250 | 5.391 | EY 6-4-7181-1X |
| 1 | 1710 | 2.390-46 | 3.250 | 5.391 | EY 6-4-7181X |
| 1 | 1710 | 2.390-46 | 3.250 | 6.500 | EY 6-4-7761 <i>High angle yoke</i> |
| 1 | 1710 | 2.390-46 | 3.250 | 6.500 | EY 6-4-7761-1 <i>High angle yoke</i> |

*C/L to End of Hub for EY (End Yoke); Flange Face to End of Hub for CF (Companion Flange)

■ Hub machined for speedometer gear



| Pos | Series | Spline Data | Hub Dia | * to End of Hub | End Fitting Part Number |
|------------------------------|--------|-------------|---------|-----------------|--|
| RT-**-160 (Continued) | | | | | |
| 1 | 1710 | 2.390-46 | 3.250 | 6.500 | EY 6-4-7771-1X <i>High angle yoke</i> |
| 1 | 1710 | 2.390-46 | 3.250 | 6.500 | EY 6-4-7771X <i>High angle yoke</i> |
| 1 | 1760 | 2.390-46 | 3.250 | 5.062 | EY 5003555 |
| 1 | 1760 | 2.390-46 | 3.250 | 5.062 | EY 6.3-4-03555-1X |
| 1 | 1760 | 2.390-46 | 3.250 | 5.062 | EY 6.3-4-1031 |
| 1 | 1760 | 2.390-46 | 3.250 | 5.062 | EY 6.3-4-1031-1 |
| 1 | 1760 | 2.390-46 | 3.250 | 5.062 | EY 6.3-4-1041-1X |
| 1 | 1760 | 2.390-46 | 3.250 | 5.062 | EY 6.3-4-1041X |
| 1 | 1810 | 2.390-46 | 3.250 | 5.156 | EY 5003556 |
| 1 | 1810 | 2.390-46 | 3.250 | 5.062 | EY 5004767 |
| 1 | 1810 | 2.390-46 | 3.250 | 5.156 | EY 6.5-4-03556-1X |
| 1 | 1810 | 2.390-46 | 3.250 | 5.156 | EY 6.5-4-3721 |
| 1 | 1810 | 2.390-46 | 3.250 | 5.156 | EY 6.5-4-3721-1 |
| 1 | 1810 | 2.390-46 | 3.250 | 5.156 | EY 6.5-4-3731-1X |
| 1 | 1810 | 2.390-46 | 3.250 | 5.156 | EY 6.5-4-3731X |
| 1 | 1810 | 2.390-46 | 3.250 | 5.156 | EY 6.5-4-5111X |
| 2 | SPL170 | 2.024-39 | 2.625 | 5.270 | EY 170-4-211-1 <i>High angle yoke</i> |
| 2 | SPL170 | 2.024-39 | 3.000 | 5.090 | EY 170-4-641-1 |
| 2 | SPL170 | 2.024-39 | 3.000 | 6.391 | EY 170-4-661-1 <i>High angle yoke</i> |
| 2 | SPL250 | 2.024-39 | 3.000 | 5.300 | EY 250-4-311-1 <i>25 degree yoke; Counterbore at hub end.</i> |
| 2 | 1610 | 2.024-39 | 3.000 | 6.219 | EY 5-4-6241 <i>High angle yoke</i> |
| 2 | 1610 | 2.024-39 | 3.000 | 6.219 | EY 5-4-6241-1 <i>High angle yoke</i> |
| 2 | 1610 | 2.024-39 | 3.000 | 5.531 | EY 5-4-6271 |
| 2 | 1710 | 2.024-39 | 3.000 | 6.250 | EY 6-4-6371 <i>High angle yoke</i> |
| 2 | 1710 | 2.024-39 | 3.000 | 6.250 | EY 6-4-6371-1 <i>High angle yoke</i> |
| 2 | 1710 | 2.024-39 | 3.000 | 5.156 | EY 6-4-6401 |
| 2 | 1710 | 2.024-39 | 3.000 | 5.156 | EY 6-4-6401-1 |
| 2 | 1710 | 2.024-39 | 3.000 | 5.156 | EY 6-4-7621-1 |
| 2 | 1810 | 2.024-39 | 3.000 | 5.190 | EY 6.5-4-3371 |
| 2 | 1810 | 2.024-39 | 3.000 | 5.190 | EY 6.5-4-3371-1 |
| 3 | SPL140 | 2.390-46 | 3.250 | 5.660 | EY 140-4-301-1 |
| 3 | SPL140 | 2.390-46 | 3.250 | 5.660 | EY 140-4-311-1X |
| 3 | SPL170 | 2.390-46 | 3.250 | 5.100 | EY 170-4-711-1 |
| 3 | SPL170 | 2.390-46 | 3.250 | 5.100 | EY 170-4-721-1X |
| 3 | SPL170 | 2.390-46 | 3.250 | 6.438 | EY 170-4-731-1 |
| 3 | SPL170 | 2.390-46 | 3.250 | 6.438 | EY 170-4-741-1X <i>High angle yoke</i> |
| 3 | SPL250 | 2.390-46 | 3.250 | 5.312 | EY 250-4-341-1 |
| 3 | SPL250 | 2.390-46 | 3.250 | 5.312 | EY 250-4-351-1X <i>25 degree yoke</i> |
| 3 | SPL90 | 2.390-46 | 3.250 | 4.641 | EY 90-4-331-1 |
| 3 | SPL90 | 2.390-46 | 3.250 | 4.641 | EY 90-4-341-1X |
| 3 | 1610 | 2.390-46 | 3.250 | 4.938 | EY 5-4-7331-1 |
| 3 | 1610 | 2.390-46 | 3.250 | 4.938 | EY 5-4-7341-1X |
| 3 | 1710 | 2.390-46 | 3.250 | 5.391 | EY 6-4-7161 |
| 3 | 1710 | 2.390-46 | 3.250 | 5.391 | EY 6-4-7161-1 |
| 3 | 1710 | 2.390-46 | 3.250 | 5.391 | EY 6-4-7181-1X |
| 3 | 1710 | 2.390-46 | 3.250 | 5.391 | EY 6-4-7181X |
| 3 | 1710 | 2.390-46 | 3.250 | 6.500 | EY 6-4-7761 <i>High angle yoke</i> |
| 3 | 1710 | 2.390-46 | 3.250 | 6.500 | EY 6-4-7761-1 <i>High angle yoke</i> |

| Pos | Series | Spline Data | Hub Dia | * to End of Hub | End Fitting Part Number |
|------------------------------|--------|-------------|---------|-----------------|---|
| RT-**-160 (Continued) | | | | | |
| 3 | 1710 | 2.390-46 | 3.250 | 6.500 | EY 6-4-7771-1X <i>High angle yoke</i> |
| 3 | 1710 | 2.390-46 | 3.250 | 6.500 | EY 6-4-7771X <i>High angle yoke</i> |
| 3 | 1760 | 2.390-46 | 3.250 | 5.062 | EY 6.3-4-1031 |
| 3 | 1760 | 2.390-46 | 3.250 | 5.062 | EY 6.3-4-1031-1 |
| 3 | 1760 | 2.390-46 | 3.250 | 5.062 | EY 6.3-4-1041-1X |
| 3 | 1760 | 2.390-46 | 3.250 | 5.062 | EY 6.3-4-1041X |
| 3 | 1810 | 2.390-46 | 3.250 | 5.156 | EY 6.5-4-3721 |
| 3 | 1810 | 2.390-46 | 3.250 | 5.156 | EY 6.5-4-3721-1 |
| 3 | 1810 | 2.390-46 | 3.250 | 5.156 | EY 6.5-4-3731-1X |
| 3 | 1810 | 2.390-46 | 3.250 | 5.156 | EY 6.5-4-3731X |
| RT-**-180, RT-**-185 | | | | | |
| 1 | SPL140 | 2.374-46 | 3.250 | 6.210 | EY 140-4-271-1 |
| 1 | SPL170 | 2.374-46 | 3.250 | 5.760 | EY 170-4-571-1 |
| 1 | SPL170 | 2.374-46 | 3.250 | 5.760 | EY 170-4-581-1X |
| 1 | SPL250 | 2.374-46 | 3.250 | 5.870 | EY 250-4-281-1 |
| 1 | SPL250 | 2.374-46 | 3.250 | 5.870 | EY 250-4-291-1X |
| 1 | 1710 | 2.374-46 | 3.250 | 5.938 | EY 6-4-5931 |
| 1 | 1710 | 2.374-46 | 3.250 | 5.938 | EY 6-4-5931-1 |
| 1 | 1710 | 2.374-46 | 3.250 | 5.938 | EY 6-4-5961-1X |
| 1 | 1710 | 2.374-46 | 3.250 | 5.938 | EY 6-4-5961X |
| 1 | 1760 | 2.374-46 | 3.250 | 5.625 | EY 6.3-4-291 |
| 1 | 1760 | 2.374-46 | 3.250 | 5.625 | EY 6.3-4-291-1 |
| 1 | 1760 | 2.374-46 | 3.250 | 5.625 | EY 6.3-4-301-1X |
| 1 | 1760 | 2.374-46 | 3.250 | 5.625 | EY 6.3-4-301X |
| 1 | 1810 | 2.374-46 | 3.250 | 5.688 | EY 6.5-4-3201 |
| 1 | 1810 | 2.374-46 | 3.250 | 5.688 | EY 6.5-4-3201-1 |
| 1 | 1810 | 2.374-46 | 3.250 | 5.688 | EY 6.5-4-3221-1X |
| 1 | 1810 | 2.374-46 | 3.250 | 5.688 | EY 6.5-4-3221X |
| 2 | SPL170 | 2.024-39 | 3.000 | 5.090 | EY 170-4-641-1 |
| 2 | SPL170 | 2.024-39 | 3.000 | 6.391 | EY 170-4-661-1 <i>High angle yoke</i> |
| 2 | 1610 | 2.024-39 | 3.000 | 6.219 | EY 5-4-6241 <i>High angle yoke</i> |
| 2 | 1610 | 2.024-39 | 3.000 | 6.219 | EY 5-4-6241-1 <i>High angle yoke</i> |
| 2 | 1610 | 2.024-39 | 3.000 | 5.531 | EY 5-4-6271 |
| 2 | 1710 | 2.024-39 | 3.000 | 6.250 | EY 6-4-6371 <i>High angle yoke</i> |
| 2 | 1710 | 2.024-39 | 3.000 | 6.250 | EY 6-4-6371-1 <i>High angle yoke</i> |
| 2 | 1710 | 2.024-39 | 3.000 | 5.156 | EY 6-4-6401 |
| 2 | 1710 | 2.024-39 | 3.000 | 5.156 | EY 6-4-6401-1 |
| 2 | 1710 | 2.024-39 | 3.000 | 5.156 | EY 6-4-7621-1 |
| 2 | 1610 | 2.024-39 | 3.000 | 5.531 | EY 5-4-6271 |
| 2 | 1710 | 2.024-39 | 3.000 | 6.250 | EY 6-4-6371 <i>High angle yoke</i> |
| 2 | 1710 | 2.024-39 | 3.000 | 6.250 | EY 6-4-6371-1 <i>High angle yoke</i> |
| 2 | 1710 | 2.024-39 | 3.000 | 5.156 | EY 6-4-6401 |
| 2 | 1710 | 2.024-39 | 3.000 | 5.156 | EY 6-4-6401-1 |
| 2 | 1710 | 2.024-39 | 3.000 | 5.156 | EY 6-4-7621-1 |
| 3 | SPL140 | 2.374-46 | 3.250 | 6.210 | EY 140-4-271-1 |
| 3 | SPL140 | 2.374-46 | 3.250 | 6.210 | EY 140-4-291-1X |
| 3 | SPL170 | 2.374-46 | 3.250 | 5.760 | EY 170-4-571-1 |
| 3 | SPL170 | 2.374-46 | 3.250 | 5.760 | EY 170-4-591-1X |
| 3 | SPL170 | 2.374-46 | 3.250 | 7.250 | EY 170-4-601-1 <i>High angle yoke</i> |
| 3 | SPL170 | 2.374-46 | 3.250 | 7.250 | EY 170-4-611-1X <i>High angle yoke</i> |
| 3 | SPL250 | 2.374-46 | 3.250 | 5.870 | EY 250-4-281-1 |
| 3 | SPL250 | 2.374-46 | 3.250 | 5.870 | EY 250-4-301-1X |
| 3 | SPL90 | 2.374-46 | 3.250 | 5.188 | EY 90-4-351-1 |
| 3 | SPL90 | 2.374-46 | 3.250 | 5.188 | EY 90-4-361-1X |
| 3 | 1610 | 2.374-46 | 3.250 | 4.547 | EY 5-4-7351-1 |
| 3 | 1610 | 2.374-46 | 3.250 | 4.547 | EY 5-4-7361-1X |

Continued on next page

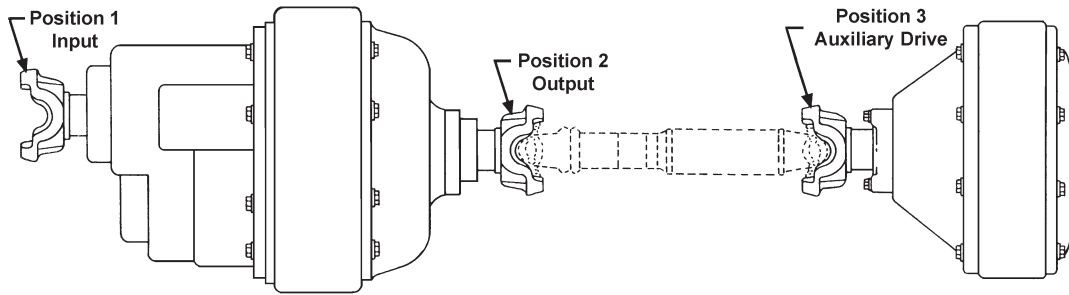
*C/L to End of Hub for EY (End Yoke); Flange Face to End of Hub for CF (Companion Flange)

■ Hub machined for speedometer gear



Important: See Safety Information in General Information Section (J300P-GI)

TANDEM AXLES



| Pos | Series | Spline Data | Hub Dia | * to End of Hub | End Fitting Part Number |
|-----------------------------|--------|-------------|---------|-----------------|--|
| RT-**-180, RT-**-185 | | | | | |
| 3 | 1710 | 2.374-46 | 3.250 | 5.938 | EY 6-4-5931 |
| 3 | 1710 | 2.374-46 | 3.250 | 5.938 | EY 6-4-5931-1 |
| 3 | 1710 | 2.374-46 | 3.250 | 5.938 | EY 6-4-6961-1X |
| 3 | 1710 | 2.374-46 | 3.250 | 5.938 | EY 6-4-6961X |
| 3 | 1710 | 2.374-46 | 3.250 | 6.938 | EY 6-4-7831 <i>High angle yoke</i> |
| 3 | 1710 | 2.374-46 | 3.250 | 6.938 | EY 6-4-7831-1 <i>High angle yoke</i> |
| 3 | 1710 | 2.374-46 | 3.250 | 6.938 | EY 6-4-7851-1X <i>High angle yoke</i> |
| 3 | 1710 | 2.374-46 | 3.250 | 6.938 | EY 6-4-7851X <i>High angle yoke</i> |
| 3 | 1760 | 2.374-46 | 3.250 | 5.625 | EY 6.3-4-291 |
| 3 | 1760 | 2.374-46 | 3.250 | 5.625 | EY 6.3-4-291-1 |
| 3 | 1760 | 2.374-46 | 3.250 | 5.625 | EY 6.3-4-861-1X |
| 3 | 1760 | 2.374-46 | 3.250 | 5.625 | EY 6.3-4-861X |
| 3 | 1810 | 2.374-46 | 3.250 | 5.688 | EY 6.5-4-3201 |
| 3 | 1810 | 2.374-46 | 3.250 | 5.688 | EY 6.5-4-3201-1 |
| 3 | 1810 | 2.374-46 | 3.250 | 5.688 | EY 6.5-4-3581-1X |
| 3 | 1810 | 2.374-46 | 3.250 | 5.688 | EY 6.5-4-3581X |

| Pos | Series | Spline Data | Hub Dia | * to End of Hub | End Fitting Part Number |
|------------------|--------|-------------|---------|-----------------|---|
| RT-**-380 | | | | | |
| 1 | SPL140 | 2.374-46 | 3.250 | 6.210 | EY 140-4-271-1 |
| 1 | SPL170 | 2.374-46 | 3.250 | 5.760 | EY 170-4-571-1 |
| 1 | SPL170 | 2.374-46 | 3.250 | 5.760 | EY 170-4-581-1X |
| 1 | SPL170 | 2.390-46 | 3.250 | 6.438 | EY 170-4-741-1X <i>High angle yoke</i> |
| 1 | SPL250 | 2.374-46 | 3.250 | 5.870 | EY 250-4-281-1 |
| 1 | SPL250 | 2.374-46 | 3.250 | 5.870 | EY 250-4-291-1X |
| 1 | 1710 | 2.374-46 | 3.250 | 5.938 | EY 6-4-5931 |
| 1 | 1710 | 2.374-46 | 3.250 | 5.938 | EY 6-4-5931-1 |
| 1 | 1710 | 2.374-46 | 3.250 | 5.938 | EY 6-4-5961-1X |
| 1 | 1710 | 2.374-46 | 3.250 | 5.938 | EY 6-4-5961X |
| 1 | 1710 | 2.024-39 | 3.000 | 6.250 | EY 6-4-6371-1 <i>High angle yoke</i> |
| 1 | 1760 | 2.374-46 | 3.250 | 5.625 | EY 6.3-4-291 |
| 1 | 1760 | 2.374-46 | 3.250 | 5.625 | EY 6.3-4-291-1 |
| 1 | 1760 | 2.374-46 | 3.250 | 5.625 | EY 6.3-4-301-1X |
| 1 | 1760 | 2.374-46 | 3.250 | 5.625 | EY 6.3-4-301X |
| 1 | 1810 | 2.374-46 | 3.250 | 5.688 | EY 6.5-4-3201 |
| 1 | 1810 | 2.374-46 | 3.250 | 5.688 | EY 6.5-4-3201-1 |
| 1 | 1810 | 2.374-46 | 3.250 | 5.688 | EY 6.5-4-3221-1X |
| 1 | 1810 | 2.374-46 | 3.250 | 5.688 | EY 6.5-4-3221X |
| 2 | SPL140 | 2.024-39 | 3.000 | 5.680 | EY 140-4-211-1 |
| 2 | SPL170 | 2.024-39 | 3.000 | 5.090 | EY 170-4-641-1 |
| 2 | SPL170 | 2.024-39 | 3.000 | 6.391 | EY 170-4-661-1 <i>High angle yoke</i> |
| 2 | 1610 | 2.024-39 | 3.000 | 6.219 | EY 5-4-6241 <i>High angle yoke</i> |
| 2 | 1610 | 2.024-39 | 3.000 | 6.219 | EY 5-4-6241-1 <i>High angle yoke</i> |

| Pos | Series | Spline Data | Hub Dia | * to End of Hub | End Fitting Part Number |
|------------------------------|--------|-------------|---------|-----------------|--|
| RT-**-380 (Continued) | | | | | |
| 2 | 1610 | 2.024-39 | 3.000 | 5.531 | EY 5-4-6271 |
| 2 | 1710 | 2.024-39 | 3.000 | 6.250 | EY 6-4-6371 <i>High angle yoke</i> |
| 2 | 1710 | 2.024-39 | 3.000 | 6.250 | EY 6-4-6371-1 <i>High angle yoke</i> |
| 2 | 1710 | 2.024-39 | 3.000 | 5.156 | EY 6-4-6401 |
| 2 | 1710 | 2.024-39 | 3.000 | 5.156 | EY 6-4-6401-1 |
| 2 | 1710 | 2.024-39 | 3.000 | 5.156 | EY 6-4-7621-1 |
| 3 | SPL140 | 2.024-39 | 3.000 | 5.680 | EY 140-4-211-1 |
| 3 | SPL140 | 2.024-39 | 3.000 | 5.680 | EY 140-4-241-1X |
| 3 | SPL170 | 2.024-39 | 3.000 | 5.090 | EY 170-4-641-1 |
| 3 | SPL170 | 2.024-39 | 3.000 | 6.391 | EY 170-4-661-1 <i>High angle yoke</i> |
| 3 | SPL170 | 2.024-39 | 3.000 | 6.391 | EY 170-4-691-1X <i>High angle yoke</i> |
| 3 | SPL170 | 2.024-39 | 3.000 | 5.090 | EY 170-4-701-1X |
| 3 | SPL170 | 2.390-46 | 3.250 | 6.438 | EY 170-4-741-1X <i>High angle yoke</i> |
| 3 | SPL250 | 2.024-39 | 3.000 | 5.300 | EY 250-4-311-1 <i>Counterbore at hub end.</i> |
| 3 | 1710 | 2.024-39 | 3.000 | 6.250 | EY 6-4-6371 <i>High angle yoke</i> |
| 3 | 1710 | 2.024-39 | 3.000 | 6.250 | EY 6-4-6371-1 <i>High angle yoke</i> |
| 3 | 1710 | 2.024-39 | 3.000 | 6.250 | EY 6-4-6391-1X <i>High angle yoke</i> |
| 3 | 1710 | 2.024-39 | 3.000 | 6.250 | EY 6-4-6391X <i>High angle yoke</i> |
| 3 | 1710 | 2.024-39 | 3.000 | 5.156 | EY 6-4-7621-1 |
| 3 | 1710 | 2.374-46 | 3.250 | 6.938 | EY 6-4-7831 <i>High angle yoke</i> |
| 3 | 1710 | 2.374-46 | 3.250 | 6.938 | EY 6-4-7831-1 <i>High angle yoke</i> |
| 3 | 1710 | 2.374-46 | 3.250 | 6.938 | EY 6-4-7851-1X <i>High angle yoke</i> |
| 3 | 1710 | 2.374-46 | 3.250 | 6.938 | EY 6-4-7851X <i>High angle yoke</i> |
| 3 | 1710 | 2.024-39 | 3.000 | 5.156 | EY 6-4-8601-1X |
| 3 | 1760 | 2.024-39 | 3.000 | 5.188 | EY 6.3-4-1341-1X |
| 3 | 1760 | 2.024-39 | 3.000 | 5.188 | EY 6.3-4-531-1 |
| 3 | 1810 | 2.024-39 | 3.000 | 5.190 | EY 6.5-4-3371-1 |
| 3 | 1810 | 2.024-39 | 3.000 | 5.190 | EY 6.5-4-4191-1X |

| Pos | Series | Spline Data | Hub Dia | * to End of Hub | End Fitting Part Number |
|---------------|--------|-------------|---------|-----------------|---|
| RT-140 | | | | | |
| 1 | SPL140 | 2.024-39 | 3.000 | 5.680 | EY 140-4-211-1 |
| 1 | SPL170 | 2.024-39 | 3.000 | 5.090 | EY 170-4-641-1 |
| 1 | SPL170 | 2.024-39 | 3.000 | 5.090 | EY 170-4-681-1X |
| 1 | SPL250 | 2.024-39 | 3.000 | 5.300 | EY 250-4-311-1 <i>Counterbore at hub end.</i> |
| 1 | SPL250 | 2.024-39 | 3.000 | 5.300 | EY 250-4-321-1X <i>Counterbore at hub end.</i> |

*C/L to End of Hub for EY (End Yoke); Flange Face to End of Hub for CF (Companion Flange)

■ Hub machined for speedometer gear



| Pos | Series | Spline Data | Hub Dia | * to End of Hub | End Fitting Part Number |
|---------------------------|-----------|-------------|---------|-----------------|---|
| RT-140 (Continued) | | | | | |
| 1 | 1610 | 2.024-39 | 3.000 | 4.875 | EY 5-4-6421 |
| 1 | 1610 | 2.024-39 | 3.000 | 4.875 | EY 5-4-6421-1 |
| 1 | 1610 | 2.024-39 | 3.000 | 4.875 | EY 5-4-6431-1X |
| 1 | 1610 | 2.024-39 | 3.000 | 4.875 | EY 5-4-6431X |
| 1 | 1710 | 2.024-39 | 3.000 | 6.250 | EY 6-4-6371 <i>High angle yoke</i> |
| 1 | 1710 | 2.024-39 | 3.000 | 6.250 | EY 6-4-6371-1 <i>High angle yoke</i> |
| 1 | 1710 | 2.024-39 | 3.000 | 6.250 | EY 6-4-6381X <i>High angle yoke</i> |
| 1 | 1710 | 2.024-39 | 3.000 | 5.156 | EY 6-4-7621-1 |
| 1 | 1710 | 2.024-39 | 3.000 | 5.156 | EY 6-4-7631-1X |
| 1 | 1760 | 2.024-39 | 3.000 | 5.188 | EY 6.3-4-531 |
| 1 | 1760 | 2.024-39 | 3.000 | 5.188 | EY 6.3-4-531-1 |
| 1 | 1760 | 2.024-39 | 3.000 | 5.188 | EY 6.3-4-541-1X |
| 1 | 1760 | 2.024-39 | 3.000 | 5.188 | EY 6.3-4-541X |
| 1 | 1810 | 2.024-39 | 3.000 | 5.190 | EY 6.5-4-3371 |
| 1 | 1810 | 2.024-39 | 3.000 | 5.190 | EY 6.5-4-3371-1 |
| 1 | 1810 | 2.024-39 | 3.000 | 5.190 | EY 6.5-4-3381-1X |
| 1 | 1810 | 2.024-39 | 3.000 | 5.190 | EY 6.5-4-3381X |
| 2 | SPL170 | 1.774-34 | 2.500 | 5.031 | EY 170-4-1751-1X |
| SDHD | | | | | |
| 2 | 1410 | 1.375-10 | 2.125 | 3.500 | EY 3-4-3941-1 |
| 3 | 1410 | 1.375-10 | 2.125 | 3.500 | EY 3-4-3941-1 |
| SFD | | | | | |
| 1 | 1650/1710 | 2.250-10 | 3.000 | 3.750 | CF 6-1-1421 <i>.250 deep counterbore at hub end</i> |
| 1 | 1810 | 2.250-10 | 3.000 | 3.750 | CF 6.5-1-211 <i>.250 deep counterbore at hub end</i> |
| 1 | 1610 | 2.250-10 | 3.000 | 5.625 | EY 5-4-6891X |
| 1 | 1710 | 2.250-10 | 3.000 | 6.062 | EY 6-4-4411X |
| 1 | 1810 | 2.250-10 | 3.000 | 5.844 | EY 6.5-4-2551X |
| 2 | 1610 | 2.250-10 | 3.000 | 5.625 | EY 5-4-6891X |
| 2 | 1710 | 2.250-10 | 3.000 | 6.062 | EY 6-4-4411X |
| 2 | 1810 | 2.250-10 | 3.000 | 5.844 | EY 6.5-4-2551X |
| 3 | 1610 | 2.250-10 | 3.000 | 5.625 | EY 5-4-6891X |
| 3 | 1710 | 2.250-10 | 3.000 | 6.062 | EY 6-4-4411X |
| 3 | 1810 | 2.250-10 | 3.000 | 5.844 | EY 6.5-4-2551X |
| SFDD | | | | | |
| 1 | 1710 | 2.250-10 | 3.000 | 6.062 | EY 6-4-1991-1 |
| 1 | 1710 | 2.250-10 | 3.000 | 6.062 | EY 6-4-4411-1X |
| 1 | 1710 | 2.374-46 | 3.250 | 5.688 | EY 6-4-5461-1X |
| 1 | 1710 | 2.374-46 | 3.250 | 5.688 | EY 6-4-5461X |
| 1 | 1760 | 2.374-46 | 3.250 | 5.438 | EY 6.3-4-211X |
| 1 | 1810 | 2.374-46 | 3.250 | 5.438 | EY 6.5-4-2701 |
| 1 | 1810 | 2.374-46 | 3.250 | 5.438 | EY 6.5-4-2701-1 |
| 1 | 1810 | 2.374-46 | 3.250 | 5.438 | EY 6.5-4-2711-1X |
| 1 | 1810 | 2.374-46 | 3.250 | 5.438 | EY 6.5-4-2711X |
| 2 | 1610 | 1.960-10 | 2.750 | 5.125 | EY 5-4-5281X |
| 2 | 1610 | 1.962-10 | 2.750 | 5.938 | EY 5-4-5321X |
| 2 | 1610 | 2.024-39 | 2.750 | 5.125 | EY 5-4-6951X |
| 2 | 1610 | 2.024-39 | 2.750 | 5.938 | EY 5-4-6961X <i>High angle yoke</i> |
| 2 | 1710 | 1.960-10 | 2.750 | 5.250 | EY 6-4-4361X |
| 2 | 1710 | 1.960-10 | 2.750 | 6.500 | EY 6-4-4481X <i>High angle yoke</i> |
| 2 | 1710 | 2.024-39 | 2.750 | 6.500 | EY 6-4-6871X |
| 2 | 1710 | 2.024-39 | 2.750 | 4.812 | EY 6-4-6941X |
| 2 | 1710 | 2.024-39 | 2.750 | 5.250 | EY 6-4-6951X |
| 2 | 1810 | 2.024-39 | 2.750 | 5.531 | EY 6.5-4-3571X |

| Pos | Series | Spline Data | Hub Dia | * to End of Hub | End Fitting Part Number |
|---|-----------|-------------|---------|-----------------|---|
| SFDD (Continued) | | | | | |
| 3 | 1610 | 1.960-10 | 2.750 | 5.125 | EY 5-4-5281X |
| 3 | 1610 | 1.962-10 | 2.750 | 5.938 | EY 5-4-5321X |
| 3 | 1610 | 2.024-39 | 2.750 | 5.125 | EY 5-4-6951X |
| 3 | 1610 | 2.024-39 | 2.750 | 5.938 | EY 5-4-6961X <i>High angle yoke</i> |
| 3 | 1710 | 1.960-10 | 2.750 | 5.250 | EY 6-4-4361X |
| 3 | 1710 | 1.960-10 | 2.750 | 6.500 | EY 6-4-4481X <i>High angle yoke</i> |
| 3 | 1710 | 2.024-39 | 2.750 | 6.500 | EY 6-4-6871X |
| 3 | 1710 | 2.024-39 | 2.750 | 4.812 | EY 6-4-6941X |
| 3 | 1710 | 2.024-39 | 2.750 | 5.250 | EY 6-4-6951X |
| 3 | 1810 | 2.024-39 | 2.750 | 5.531 | EY 6.5-4-3571X |
| SFDD-4600, SFDD-4640, SFDD-4700, SFDD-4740 | | | | | |
| 1 | 1650/1710 | 2.250-10 | 3.000 | 3.750 | CF 6-1-1421 <i>.250 deep counterbore at hub end</i> |
| 1 | 1810 | 2.250-10 | 3.000 | 3.750 | CF 6.5-1-211 <i>.250 deep counterbore at hub end</i> |
| 1 | 1610 | 2.250-10 | 3.000 | 5.625 | EY 5-4-6891X |
| 1 | 1710 | 2.250-10 | 3.000 | 6.062 | EY 6-4-1991 |
| 1 | 1710 | 2.250-10 | 3.000 | 6.062 | EY 6-4-1991-1 |
| 1 | 1710 | 2.250-10 | 3.000 | 6.062 | EY 6-4-4411-1X |
| 1 | 1710 | 2.250-10 | 3.000 | 6.062 | EY 6-4-4411X |
| 1 | 1810 | 2.250-10 | 3.000 | 5.844 | EY 6.5-4-2551X |
| 2 | 1610 | 2.250-10 | 3.000 | 5.625 | EY 5-4-6891X |
| 2 | 1710 | 2.250-10 | 3.000 | 6.062 | EY 6-4-4411X |
| 2 | 1810 | 2.250-10 | 3.000 | 5.844 | EY 6.5-4-2551X |
| 3 | 1610 | 2.250-10 | 3.000 | 5.625 | EY 5-4-6891X |
| 3 | 1710 | 2.250-10 | 3.000 | 6.062 | EY 6-4-4411X |
| 3 | 1810 | 2.250-10 | 3.000 | 5.844 | EY 6.5-4-2551X |
| SFHD | | | | | |
| 2 | 1410 | 1.500-10 | 2.250 | 3.875 | EY 3-4-2241-1 |
| 3 | 1410 | 1.500-10 | 2.250 | 3.875 | EY 3-4-2241-1 |
| SHD | | | | | |
| 1 | SPL250 | 2.374-46 | 3.250 | 5.610 | EY 250-4-771-1 |
| 1 | SPL250 | 2.374-46 | 3.250 | 5.610 | EY 250-4-781-1X |
| 1 | 1710 | 2.374-46 | 3.250 | 5.688 | EY 6-4-5451 |
| 1 | 1710 | 2.374-46 | 3.250 | 5.688 | EY 6-4-5451-1 |
| 1 | 1710 | 2.374-46 | 3.250 | 5.688 | EY 6-4-5461-1X |
| 1 | 1710 | 2.374-46 | 3.250 | 5.688 | EY 6-4-5461X |
| 1 | 1760 | 2.374-46 | 3.250 | 5.438 | EY 6.3-4-101 |
| 1 | 1760 | 2.374-46 | 3.250 | 5.438 | EY 6.3-4-101-1 |
| 1 | 1760 | 2.374-46 | 3.250 | 5.438 | EY 6.3-4-211-1X |
| 1 | 1760 | 2.374-46 | 3.250 | 5.438 | EY 6.3-4-211X |
| 1 | 1810 | 2.374-46 | 3.250 | 5.438 | EY 6.5-4-2701 |
| 1 | 1810 | 2.374-46 | 3.250 | 5.438 | EY 6.5-4-2701-1 |
| 1 | 1810 | 2.374-46 | 3.250 | 5.438 | EY 6.5-4-2711-1X |
| 1 | 1810 | 2.374-46 | 3.250 | 5.438 | EY 6.5-4-2711X |
| 2 | SPL140 | 2.024-39 | 2.750 | 5.250 | EY 140-4-1421-1 |
| 2 | 1610 | 1.960-10 | 2.750 | 5.125 | EY 5-4-5281X |
| 2 | 1610 | 1.962-10 | 2.750 | 5.938 | EY 5-4-5321X |
| 2 | 1610 | 2.024-39 | 2.750 | 5.125 | EY 5-4-5421 |
| 2 | 1610 | 2.024-39 | 2.750 | 5.938 | EY 5-4-5441 <i>High angle yoke</i> |
| 2 | 1610 | 2.024-39 | 2.750 | 5.125 | EY 5-4-6951X |
| 2 | 1610 | 2.024-39 | 2.750 | 5.938 | EY 5-4-6961X <i>High angle yoke</i> |
| 2 | 1710 | 1.960-10 | 2.750 | 5.250 | EY 6-4-4361X |

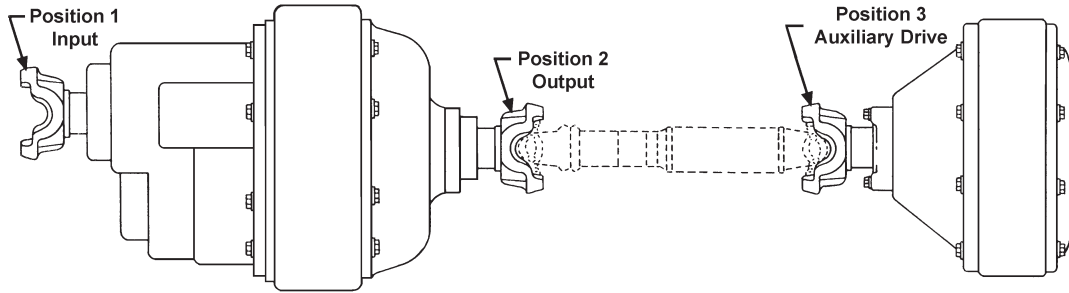
Continued on next page

*C/L to End of Hub for EY (End Yoke); Flange Face to End of Hub for CF (Companion Flange)

■ Hub machined for speedometer gear



Important: See Safety Information in General Information Section (J300P-GI)



| Pos | Series | Spline Data | Hub Dia | * to End of Hub | End Fitting Part Number |
|-----|--------|-------------|---------|-----------------|-------------------------|
|-----|--------|-------------|---------|-----------------|-------------------------|

SHD (Continued)

| | | | | | |
|---|--------|----------|-------|-------|--|
| 2 | 1710 | 1.960-10 | 2.750 | 6.500 | EY 6-4-4481X <i>High angle yoke</i> |
| 2 | 1710 | 2.024-39 | 2.750 | 6.500 | EY 6-4-5501-1 <i>High angle yoke</i> |
| 2 | 1710 | 2.024-39 | 2.750 | 5.250 | EY 6-4-5521 |
| 2 | 1710 | 2.024-39 | 2.750 | 5.250 | EY 6-4-5521-1 |
| 2 | 1710 | 2.024-39 | 2.750 | 6.500 | EY 6-4-6871-1X <i>High angle yoke</i> |
| 2 | 1710 | 2.024-39 | 2.750 | 6.500 | EY 6-4-6871X |
| 2 | 1710 | 2.024-39 | 2.750 | 4.812 | EY 6-4-6941X |
| 2 | 1710 | 2.024-39 | 2.750 | 5.250 | EY 6-4-6951-1X |
| 2 | 1710 | 2.024-39 | 2.750 | 5.250 | EY 6-4-6951X |
| 2 | 171070 | 2.024-39 | 2.750 | 6.500 | EY 6-4-5501 |
| 2 | 1810 | 2.024-39 | 2.750 | 5.531 | EY 6.5-4-2781 |
| 2 | 1810 | 2.024-39 | 2.750 | 5.625 | EY 6.5-4-2781-1 |
| 2 | 1810 | 2.024-39 | 2.750 | 5.625 | EY 6.5-4-3571-1X |
| 2 | 1810 | 2.024-39 | 2.750 | 5.531 | EY 6.5-4-3571X |
| 3 | SPL140 | 2.024-39 | 2.750 | 5.250 | EY 140-4-1421-1 |
| 3 | SPL140 | 2.024-39 | 2.750 | 5.250 | EY 140-4-1431-1X |
| 3 | 1610 | 1.960-10 | 2.750 | 5.125 | EY 5-4-5281X |
| 3 | 1610 | 1.962-10 | 2.750 | 5.938 | EY 5-4-5321X |
| 3 | 1610 | 2.024-39 | 2.750 | 5.125 | EY 5-4-5421 |
| 3 | 1610 | 2.024-39 | 2.750 | 5.938 | EY 5-4-5441 <i>High angle yoke</i> |
| 3 | 1610 | 2.024-39 | 2.750 | 5.125 | EY 5-4-6951X |
| 3 | 1610 | 2.024-39 | 2.750 | 5.938 | EY 5-4-6961X <i>High angle yoke</i> |
| 3 | 1710 | 1.960-10 | 2.750 | 5.250 | EY 6-4-4361X |
| 3 | 1710 | 1.960-10 | 2.750 | 6.500 | EY 6-4-4481X <i>High angle yoke</i> |
| 3 | 1710 | 2.024-39 | 2.750 | 5.250 | EY 6-4-5521 |
| 3 | 1710 | 2.024-39 | 2.750 | 5.250 | EY 6-4-5521-1 |
| 3 | 1710 | 2.024-39 | 2.750 | 6.500 | EY 6-4-6871-1X <i>High angle yoke</i> |
| 3 | 1710 | 2.024-39 | 2.750 | 6.500 | EY 6-4-6871X |
| 3 | 1710 | 2.024-39 | 2.750 | 4.812 | EY 6-4-6941X |
| 3 | 1710 | 2.024-39 | 2.750 | 5.250 | EY 6-4-6951-1X |
| 3 | 1710 | 2.024-39 | 2.750 | 5.250 | EY 6-4-6951X |
| 3 | 171070 | 2.024-39 | 2.750 | 6.500 | EY 6-4-5501 |
| 3 | 171070 | 2.024-39 | 2.750 | 6.500 | EY 6-4-5501-1 <i>High angle yoke</i> |
| 3 | 1810 | 2.024-39 | 2.750 | 5.531 | EY 6.5-4-2781 |
| 3 | 1810 | 2.024-39 | 2.750 | 5.625 | EY 6.5-4-2781-1 |
| 3 | 1810 | 2.024-39 | 2.750 | 5.625 | EY 6.5-4-3571-1X |
| 3 | 1810 | 2.024-39 | 2.750 | 5.531 | EY 6.5-4-3571X |

SHDD

| | | | | | |
|---|--------|----------|-------|-------|-----------------|
| 1 | SPL250 | 2.374-46 | 3.250 | 5.610 | EY 250-4-771-1 |
| 1 | SPL250 | 2.374-46 | 3.250 | 5.610 | EY 250-4-781-1X |
| 1 | 1410 | 1.875-10 | 2.750 | 4.406 | EY 3-4-6671-1X |

| Pos | Series | Spline Data | Hub Dia | * to End of Hub | End Fitting Part Number |
|-----|--------|-------------|---------|-----------------|-------------------------|
|-----|--------|-------------|---------|-----------------|-------------------------|

SHDD (Continued)

| | | | | | |
|---|--------|----------|-------|-------|--|
| 1 | 1710 | 2.374-46 | 3.250 | 5.688 | EY 6-4-5451 |
| 1 | 1710 | 2.374-46 | 3.250 | 5.688 | EY 6-4-5451-1 |
| 1 | 1710 | 2.374-46 | 3.250 | 5.688 | EY 6-4-5461-1X |
| 1 | 1710 | 2.374-46 | 3.250 | 5.688 | EY 6-4-5461X |
| 1 | 1760 | 2.374-46 | 3.250 | 5.438 | EY 6.3-4-101 |
| 1 | 1760 | 2.374-46 | 3.250 | 5.438 | EY 6.3-4-101-1 |
| 1 | 1760 | 2.374-46 | 3.250 | 5.438 | EY 6.3-4-211-1X |
| 1 | 1760 | 2.374-46 | 3.250 | 5.438 | EY 6.3-4-211X |
| 1 | 1810 | 2.374-46 | 3.250 | 5.438 | EY 6.5-4-2701 |
| 1 | 1810 | 2.374-46 | 3.250 | 5.438 | EY 6.5-4-2701-1 |
| 1 | 1810 | 2.374-46 | 3.250 | 5.438 | EY 6.5-4-2711-1X |
| 1 | 1810 | 2.374-46 | 3.250 | 5.438 | EY 6.5-4-2711X |
| 2 | SPL140 | 2.024-39 | 2.750 | 5.250 | EY 140-4-1421-1 |
| 2 | 1410 | 1.625-10 | 2.375 | 4.188 | EY 3-4-5921-1X |
| 2 | 1610 | 1.960-10 | 2.750 | 5.125 | EY 5-4-5281X |
| 2 | 1610 | 1.962-10 | 2.750 | 5.938 | EY 5-4-5321X |
| 2 | 1610 | 2.024-39 | 2.750 | 5.125 | EY 5-4-6951X |
| 2 | 1610 | 2.024-39 | 2.750 | 5.938 | EY 5-4-6961X <i>High angle yoke</i> |
| 2 | 1710 | 1.960-10 | 2.750 | 5.250 | EY 6-4-4361X |
| 2 | 1710 | 1.960-10 | 2.750 | 6.500 | EY 6-4-4481X <i>High angle yoke</i> |
| 2 | 1710 | 2.024-39 | 2.750 | 6.500 | EY 6-4-6871X |
| 2 | 1710 | 2.024-39 | 2.750 | 4.812 | EY 6-4-6941X |
| 2 | 1710 | 2.024-39 | 2.750 | 5.250 | EY 6-4-6951X |
| 2 | 1810 | 2.024-39 | 2.750 | 5.531 | EY 6.5-4-3571X |
| 3 | SPL140 | 2.024-39 | 2.750 | 5.250 | EY 140-4-1421-1 |
| 3 | SPL140 | 2.024-39 | 2.750 | 5.250 | EY 140-4-1431-1X |
| 3 | 1410 | 1.625-10 | 2.375 | 4.188 | EY 3-4-5921-1X |
| 3 | 1610 | 1.960-10 | 2.750 | 5.125 | EY 5-4-5281X |
| 3 | 1610 | 1.962-10 | 2.750 | 5.938 | EY 5-4-5321X |
| 3 | 1610 | 2.024-39 | 2.750 | 5.125 | EY 5-4-6951X |
| 3 | 1610 | 2.024-39 | 2.750 | 5.938 | EY 5-4-6961X <i>High angle yoke</i> |
| 3 | 1710 | 1.960-10 | 2.750 | 5.250 | EY 6-4-4361X |
| 3 | 1710 | 1.960-10 | 2.750 | 6.500 | EY 6-4-4481X <i>High angle yoke</i> |
| 3 | 1710 | 2.024-39 | 2.750 | 6.500 | EY 6-4-6871X |
| 3 | 1710 | 2.024-39 | 2.750 | 4.812 | EY 6-4-6941X |
| 3 | 1710 | 2.024-39 | 2.750 | 5.250 | EY 6-4-6951X |
| 3 | 1710 | 2.024-39 | 2.750 | 4.812 | EY 6-4-6941X |
| 3 | 1710 | 2.024-39 | 2.750 | 5.250 | EY 6-4-6951X |
| 3 | 1810 | 2.024-39 | 2.750 | 5.531 | EY 6.5-4-3571X |

SHHD

| | | | | | |
|---|------|----------|-------|-------|--------------|
| 1 | 1550 | 1.875-10 | 2.750 | 4.406 | EY 4-4-1941 |
| 1 | 1610 | 1.875-10 | 2.750 | 5.000 | EY 5-4-2501 |
| 2 | 1350 | 1.625-10 | 2.375 | 3.969 | EY 3-4-9001X |
| 2 | 1480 | 1.625-10 | 2.375 | 4.312 | EY 3-4-3771 |
| 2 | 1610 | 1.625-10 | 2.375 | 4.125 | EY 5-4-2401 |
| 3 | 1350 | 1.625-10 | 2.375 | 3.969 | EY 3-4-9001X |
| 3 | 1480 | 1.625-10 | 2.375 | 4.312 | EY 3-4-3771 |
| 3 | 1610 | 1.625-10 | 2.375 | 4.125 | EY 5-4-2401 |

*C/L to End of Hub for EY (End Yoke); Flange Face to End of Hub for CF (Companion Flange)

■ Hub machined for speedometer gear



| Pos | Series | Spline Data | Hub Dia | * to End of Hub | End Fitting Part Number |
|-------------|--------|-------------|---------|-----------------|-------------------------|
| SJHD | | | | | |
| 1 | 1410 | 1.875-10 | 2.750 | 4.406 | EY 3-4-6671-1X |
| 1 | 1550 | 1.875-10 | 2.750 | 4.406 | EY 4-4-1941 |
| 1 | 1610 | 1.875-10 | 2.750 | 5.000 | EY 5-4-2501 |
| 2 | 1350 | 1.625-10 | 2.375 | 3.969 | EY 3-4-9001X |
| 2 | 1410 | 1.625-10 | 2.375 | 4.188 | EY 3-4-5921-1X |
| 2 | 1480 | 1.625-10 | 2.375 | 4.312 | EY 3-4-3771 |
| 2 | 1610 | 1.625-10 | 2.375 | 4.125 | EY 5-4-2401 |
| 3 | 1350 | 1.625-10 | 2.375 | 3.969 | EY 3-4-9001X |
| 3 | 1410 | 1.625-10 | 2.375 | 4.188 | EY 3-4-5921-1X |
| 3 | 1480 | 1.625-10 | 2.375 | 4.312 | EY 3-4-3771 |
| 3 | 1610 | 1.625-10 | 2.375 | 4.125 | EY 5-4-2401 |

| Pos | Series | Spline Data | Hub Dia | * to End of Hub | End Fitting Part Number |
|---------------|--------|-------------|---------|-----------------|--|
| SL-100 | | | | | |
| 1 | 1610 | 2.024-39 | 3.000 | 5.531 | EY 5-4-6281X |
| 1 | 1610 | 2.024-39 | 3.000 | 4.875 | EY 5-4-6431-1X |
| 1 | 1610 | 2.024-39 | 3.000 | 4.875 | EY 5-4-6431X |
| 1 | 1710 | 2.024-39 | 3.000 | 6.250 | EY 6-4-6381X <i>High angle yoke</i> |
| 1 | 1710 | 2.024-39 | 3.000 | 5.156 | EY 6-4-6401 |
| 1 | 1710 | 2.024-39 | 3.000 | 5.156 | EY 6-4-6401-1 |
| 1 | 1710 | 2.024-39 | 3.000 | 5.156 | EY 6-4-6411X |
| 1 | 1710 | 2.024-39 | 3.000 | 5.156 | EY 6-4-7621-1 |
| 1 | 1710 | 2.024-39 | 3.000 | 5.156 | EY 6-4-7631-1X |
| 1 | 1760 | 2.024-39 | 3.000 | 5.188 | EY 6.3-4-531 |
| 1 | 1760 | 2.024-39 | 3.000 | 5.188 | EY 6.3-4-531-1 |
| 1 | 1760 | 2.024-39 | 3.000 | 5.188 | EY 6.3-4-541-1X |
| 1 | 1760 | 2.024-39 | 3.000 | 5.188 | EY 6.3-4-541X |
| 1 | 1810 | 2.024-39 | 3.000 | 5.190 | EY 6.5-4-3371 |
| 1 | 1810 | 2.024-39 | 3.000 | 5.190 | EY 6.5-4-3371-1 |
| 1 | 1810 | 2.024-39 | 3.000 | 5.190 | EY 6.5-4-3381-1X |
| 1 | 1810 | 2.024-39 | 3.000 | 5.190 | EY 6.5-4-3381X |
| 1 | 1810 | 2.024-39 | 3.000 | 5.750 | EY 6.5-4-3881-1X |
| 2 | 1610 | 2.250-10 | 3.500 | 3.625 | CF 5-1-6331 |
| 2 | 1610 | 1.774-34 | 2.500 | 6.062 | EY 5-4-6251 <i>High angle yoke</i> |
| 2 | 1610 | 1.774-34 | 2.500 | 5.438 | EY 5-4-6261 |
| 2 | 1610 | 1.998-38 | 2.750 | 4.125 | EY 5-4-6321 |
| 2 | 1710 | 1.774-34 | 2.500 | 5.969 | EY 6-4-6321 <i>High angle yoke</i> |
| 2 | 1710 | 1.774-34 | 2.500 | 4.875 | EY 6-4-6331 |
| 2 | 1760 | 2.024-39 | 3.000 | 5.188 | EY 6.3-4-1141-1X |
| 3 | 1610 | 2.024-39 | 3.000 | 5.531 | EY 5-4-6281X |
| 3 | 1610 | 2.024-39 | 3.000 | 6.219 | EY 5-4-6291X <i>High angle yoke</i> |
| 3 | 1610 | 2.024-39 | 3.000 | 4.875 | EY 5-4-6431-1X |
| 3 | 1610 | 2.024-39 | 3.000 | 4.875 | EY 5-4-6431X |
| 3 | 1610 | 2.024-39 | 3.000 | 4.875 | EY 5-4-6441-1X |
| 3 | 1710 | 2.024-39 | 3.000 | 6.250 | EY 6-4-6391X <i>High angle yoke</i> |
| 3 | 1710 | 2.024-39 | 3.000 | 5.156 | EY 6-4-6401 |
| 3 | 1710 | 2.024-39 | 3.000 | 5.156 | EY 6-4-6421-1X |
| 3 | 1710 | 2.024-39 | 3.000 | 5.156 | EY 6-4-6421X |
| 3 | 1710 | 2.024-39 | 3.000 | 5.156 | EY 6-4-7621-1 |
| 3 | 1710 | 2.024-39 | 3.000 | 5.156 | EY 6-4-7631-1X |
| 3 | 1710 | 2.024-39 | 3.000 | 5.156 | EY 6-4-7641-1X |
| 3 | 1710 | 2.024-39 | 3.000 | 5.156 | EY 6-4-8601-1X |
| 3 | 1760 | 2.024-39 | 3.000 | 5.188 | EY 6.3-4-1141-1X |
| 3 | 1760 | 2.024-39 | 3.000 | 5.188 | EY 6.3-4-531 |
| 3 | 1760 | 2.024-39 | 3.000 | 5.188 | EY 6.3-4-531-1 |

| Pos | Series | Spline Data | Hub Dia | * to End of Hub | End Fitting Part Number |
|----------------|--------|-------------|---------|-----------------|--|
| SL-100P | | | | | |
| 1 | 1610 | 2.024-39 | 3.000 | 5.531 | EY 5-4-6281X |
| 1 | 1610 | 2.024-39 | 3.000 | 4.875 | EY 5-4-6431-1X |
| 1 | 1610 | 2.024-39 | 3.000 | 4.875 | EY 5-4-6431X |
| 1 | 1710 | 2.024-39 | 3.000 | 6.250 | EY 6-4-6381X <i>High angle yoke</i> |
| 1 | 1710 | 2.024-39 | 3.000 | 5.156 | EY 6-4-6401 |
| 1 | 1710 | 2.024-39 | 3.000 | 5.156 | EY 6-4-6401-1 |
| 1 | 1710 | 2.024-39 | 3.000 | 5.156 | EY 6-4-6411X |
| 1 | 1710 | 2.024-39 | 3.000 | 5.156 | EY 6-4-7631-1X |
| 1 | 1760 | 2.024-39 | 3.000 | 5.188 | EY 6.3-4-531 |
| 1 | 1760 | 2.024-39 | 3.000 | 5.188 | EY 6.3-4-531-1 |
| 1 | 1760 | 2.024-39 | 3.000 | 5.188 | EY 6.3-4-541-1X |
| 1 | 1810 | 2.024-39 | 3.000 | 5.190 | EY 6.5-4-3371 |
| 1 | 1810 | 2.024-39 | 3.000 | 5.190 | EY 6.5-4-3371-1 |
| 1 | 1810 | 2.024-39 | 3.000 | 5.190 | EY 6.5-4-3381-1X |
| 1 | 1810 | 2.024-39 | 3.000 | 5.190 | EY 6.5-4-3381X |
| 1 | 1810 | 2.024-39 | 3.000 | 5.188 | EY 6.5-4-3851-1X |
| 2 | 1610 | 2.250-10 | 3.500 | 3.625 | CF 5-1-6331 |
| 2 | 1610 | 1.774-34 | 2.500 | 6.062 | EY 5-4-6251 <i>High angle yoke</i> |
| 2 | 1610 | 1.774-34 | 2.500 | 5.438 | EY 5-4-6261 |
| 2 | 1610 | 1.998-38 | 2.750 | 4.125 | EY 5-4-6321 |
| 2 | 1710 | 1.774-34 | 2.500 | 5.969 | EY 6-4-6321 <i>High angle yoke</i> |
| 2 | 1710 | 1.774-34 | 2.500 | 4.875 | EY 6-4-6331 |
| 3 | 1610 | 2.024-39 | 3.000 | 5.531 | EY 5-4-6281X |
| 3 | 1610 | 2.024-39 | 3.000 | 6.219 | EY 5-4-6291X <i>High angle yoke</i> |
| 3 | 1610 | 2.024-39 | 3.000 | 4.875 | EY 5-4-6431-1X |
| 3 | 1610 | 2.024-39 | 3.000 | 4.875 | EY 5-4-6431X |
| 3 | 1610 | 2.024-39 | 3.000 | 4.875 | EY 5-4-6441-1X |
| 3 | 1710 | 2.024-39 | 3.000 | 6.250 | EY 6-4-6391X <i>High angle yoke</i> |
| 3 | 1710 | 2.024-39 | 3.000 | 5.156 | EY 6-4-6421-1X |
| 3 | 1710 | 2.024-39 | 3.000 | 5.156 | EY 6-4-6421X |
| 3 | 1710 | 2.024-39 | 3.000 | 5.156 | EY 6-4-7621-1 |
| 3 | 1710 | 2.024-39 | 3.000 | 5.156 | EY 6-4-7631-1X |
| 3 | 1710 | 2.024-39 | 3.000 | 5.156 | EY 6-4-7641-1X |
| 3 | 1710 | 2.024-39 | 3.000 | 5.156 | EY 6-4-8601-1X |
| 3 | 1760 | 2.024-39 | 3.000 | 5.188 | EY 6.3-4-1141-1X |
| 3 | 1760 | 2.024-39 | 3.000 | 5.188 | EY 6.3-4-541X |

| Pos | Series | Spline Data | Hub Dia | * to End of Hub | End Fitting Part Number |
|------------------|--------|-------------|---------|-----------------|-------------------------|
| SLD, SLDD | | | | | |
| 1 | 1480 | 1.875-10 | 2.750 | 4.406 | EY 3-4-6671-1X |
| 1 | 1550 | 1.875-10 | 2.750 | 4.406 | EY 4-4-1941 |
| 1 | 1610 | 1.875-10 | 2.750 | 5.000 | EY 5-4-2501 |
| 2 | 1480 | 1.875-10 | 2.750 | 4.406 | EY 3-4-6671-1X |
| 2 | 1550 | 1.875-10 | 2.750 | 4.406 | EY 4-4-1941 |
| 2 | 1610 | 1.875-10 | 2.750 | 5.000 | EY 5-4-2501 |
| 3 | 1480 | 1.875-10 | 2.750 | 4.406 | EY 3-4-6671-1X |
| 3 | 1550 | 1.875-10 | 2.750 | 4.406 | EY 4-4-1941 |
| 3 | 1610 | 1.875-10 | 2.750 | 5.000 | EY 5-4-2501 |

| Pos | Series | Spline Data | Hub Dia | * to End of Hub | End Fitting Part Number |
|-------------|--------|-------------|---------|-----------------|-------------------------|
| SLHD | | | | | |
| 1 | 1610 | 2.000-10 | 2.938 | 5.188 | EY 5-4-5131X |
| 1 | 1710 | 2.000-10 | 2.938 | 5.188 | EY 6-4-3241 |
| 1 | 1760 | 2.000-10 | 2.938 | 5.375 | EY 6.3-4-181X |

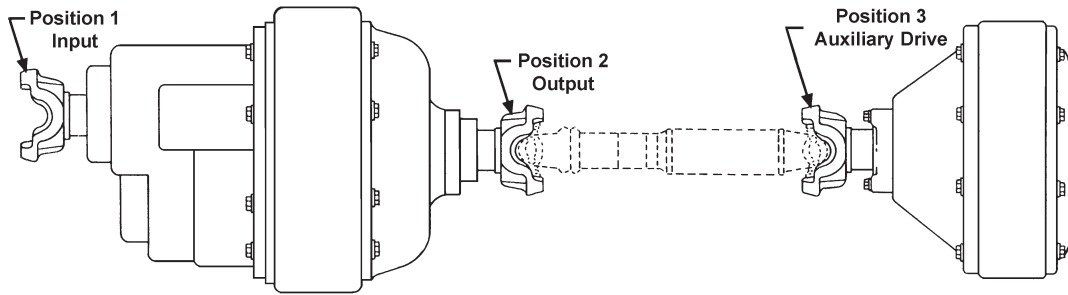
| Pos | Series | Spline Data | Hub Dia | * to End of Hub | End Fitting Part Number |
|-------------|--------|-------------|---------|-----------------|-------------------------|
| SLHP | | | | | |
| 1 | 1760 | 2.024-39 | 3.000 | 5.188 | EY 6.3-4-191X |

*C/L to End of Hub for EY (End Yoke); Flange Face to End of Hub for CF (Companion Flange)

■ Hub machined for speedometer gear



Important: See Safety Information in General Information Section (J300P-GI)



| Pos | Series | Spline Data | Hub Dia | * to End of Hub | End Fitting Part Number |
|-----|--------|-------------|---------|-----------------|-------------------------|
|-----|--------|-------------|---------|-----------------|-------------------------|

| SPRC-1357 | | | | | |
|------------------|------|----------|-------|-------|--|
| 1 | 1610 | 2.024-39 | 3.000 | 5.531 | EY 5-4-6281X |
| 1 | 1610 | 2.024-39 | 3.000 | 4.875 | EY 5-4-6431-1X |
| 1 | 1610 | 2.024-39 | 3.000 | 4.875 | EY 5-4-6431X |
| 1 | 1710 | 2.024-39 | 3.000 | 6.250 | EY 6-4-6381X <i>High angle yoke</i> |
| 1 | 1710 | 2.024-39 | 3.000 | 5.156 | EY 6-4-6411X |
| 1 | 1710 | 2.024-39 | 3.000 | 5.156 | EY 6-4-7631-1X |
| 1 | 1760 | 2.024-39 | 3.000 | 5.188 | EY 6.3-4-541-1X |
| 1 | 1760 | 2.024-39 | 3.000 | 5.188 | EY 6.3-4-541X |
| 1 | 1810 | 2.024-39 | 3.000 | 5.190 | EY 6.5-4-3381-1X |
| 1 | 1810 | 2.024-39 | 3.000 | 5.190 | EY 6.5-4-3381X |
| 2 | 1610 | 2.250-10 | 3.500 | 3.625 | CF 5-1-6331 |
| 2 | 1610 | 1.774-34 | 2.500 | 6.062 | EY 5-4-6251 <i>High angle yoke</i> |
| 2 | 1610 | 1.774-34 | 2.500 | 5.438 | EY 5-4-6261 |
| 2 | 1710 | 1.774-34 | 2.500 | 5.969 | EY 6-4-6321 <i>High angle yoke</i> |
| 2 | 1710 | 1.774-34 | 2.500 | 4.875 | EY 6-4-6331 |
| 3 | 1610 | 2.024-39 | 3.000 | 5.531 | EY 5-4-6281X |
| 3 | 1610 | 2.024-39 | 3.000 | 6.219 | EY 5-4-6291X <i>High angle yoke</i> |
| 3 | 1610 | 2.024-39 | 3.000 | 4.875 | EY 5-4-6431-1X |
| 3 | 1610 | 2.024-39 | 3.000 | 4.875 | EY 5-4-6431X |
| 3 | 1610 | 2.024-39 | 3.000 | 4.875 | EY 5-4-6441-1X |
| 3 | 1710 | 2.024-39 | 3.000 | 6.250 | EY 6-4-6391X <i>High angle yoke</i> |
| 3 | 1710 | 2.024-39 | 3.000 | 5.156 | EY 6-4-6421-1X |
| 3 | 1710 | 2.024-39 | 3.000 | 5.156 | EY 6-4-6421X |
| 3 | 1710 | 2.024-39 | 3.000 | 5.156 | EY 6-4-7631-1X |
| 3 | 1710 | 2.024-39 | 3.000 | 5.156 | EY 6-4-7641-1X |
| 3 | 1710 | 2.024-39 | 3.000 | 5.156 | EY 6-4-8601-1X |
| 3 | 1760 | 2.024-39 | 3.000 | 5.188 | EY 6.3-4-541X |

| SPR450 | | | | | |
|---------------|------|----------|-------|-------|---------------|
| 2 | 1710 | 1.960-10 | 2.750 | 5.250 | EY 6-4-3221 |
| 2 | 1710 | 1.960-10 | 2.750 | 5.250 | EY 6-4-3221-1 |
| 3 | 1710 | 1.960-10 | 2.750 | 5.250 | EY 6-4-3221 |
| 3 | 1710 | 1.960-10 | 2.750 | 5.250 | EY 6-4-3221-1 |

| SQ-100 | | | | | |
|---------------|--------|----------|-------|-------|---|
| 1 | SPL140 | 2.024-39 | 3.000 | 5.680 | EY 140-4-211-1 |
| 1 | SPL170 | 1.774-34 | 2.500 | 5.031 | EY 170-4-1751-1X |
| 1 | SPL170 | 2.024-39 | 3.000 | 5.090 | EY 170-4-641-1 |
| 1 | SPL170 | 2.024-39 | 3.000 | 5.090 | EY 170-4-681-1X |
| 1 | SPL250 | 2.024-39 | 3.000 | 5.300 | EY 250-4-311-1 <i>Counterbore at hub end.</i> |
| 1 | SPL250 | 2.024-39 | 3.000 | 5.300 | EY 250-4-321-1X <i>Counterbore at hub end.</i> |
| 1 | 1610 | 2.024-39 | 3.000 | 4.875 | EY 5-4-6421 |
| 1 | 1610 | 2.024-39 | 3.000 | 4.875 | EY 5-4-6421-1 |

| Pos | Series | Spline Data | Hub Dia | * to End of Hub | End Fitting Part Number |
|-----|--------|-------------|---------|-----------------|-------------------------|
|-----|--------|-------------|---------|-----------------|-------------------------|

| SQ-100 (Continued) | | | | | |
|---------------------------|--------|----------|-------|-------|---|
| 1 | 1610 | 2.024-39 | 3.000 | 4.875 | EY 5-4-6431-1X |
| 1 | 1610 | 2.024-39 | 3.000 | 4.875 | EY 5-4-6431X |
| 1 | 1710 | 2.024-39 | 3.000 | 6.250 | EY 6-4-6371 <i>High angle yoke</i> |
| 1 | 1710 | 2.024-39 | 3.000 | 6.250 | EY 6-4-6371-1 <i>High angle yoke</i> |
| 1 | 1710 | 2.024-39 | 3.000 | 6.250 | EY 6-4-6381X <i>High angle yoke</i> |
| 1 | 1710 | 2.024-39 | 3.000 | 5.156 | EY 6-4-6401 |
| 1 | 1710 | 2.024-39 | 3.000 | 5.156 | EY 6-4-6401-1 |
| 1 | 1710 | 2.024-39 | 3.000 | 5.156 | EY 6-4-7621-1 |
| 1 | 1710 | 2.024-39 | 3.000 | 5.156 | EY 6-4-7631-1X |
| 1 | 1760 | 2.024-39 | 3.000 | 5.188 | EY 6.3-4-531 |
| 1 | 1760 | 2.024-39 | 3.000 | 5.188 | EY 6.3-4-531-1 |
| 1 | 1760 | 2.024-39 | 3.000 | 5.188 | EY 6.3-4-541-1X |
| 1 | 1760 | 2.024-39 | 3.000 | 5.188 | EY 6.3-4-541X |
| 1 | 1810 | 2.024-39 | 3.000 | 5.190 | EY 6.5-4-3371 |
| 1 | 1810 | 2.024-39 | 3.000 | 5.190 | EY 6.5-4-3371-1 |
| 1 | 1810 | 2.024-39 | 3.000 | 5.190 | EY 6.5-4-3381-1X |
| 1 | 1810 | 2.024-39 | 3.000 | 5.190 | EY 6.5-4-3381X |
| 2 | 1610 | 2.250-10 | 3.500 | 3.625 | CF 5-1-6331 |
| 2 | SPL170 | 1.774-34 | 2.500 | 5.031 | EY 170-4-621-1 |
| 2 | SPL170 | 1.774-34 | 2.500 | 6.440 | EY 170-4-631-1 <i>High angle yoke</i> |
| 2 | 1610 | 1.774-34 | 2.500 | 6.062 | EY 5-4-6251 <i>High angle yoke</i> |
| 2 | 1610 | 1.774-34 | 2.500 | 5.438 | EY 5-4-6261 |
| 2 | 1610 | 1.774-34 | 2.500 | 5.438 | EY 5-4-6261-1 |
| 2 | 1710 | 1.774-34 | 2.500 | 5.969 | EY 6-4-6321 <i>High angle yoke</i> |
| 2 | 1710 | 1.774-34 | 2.500 | 5.969 | EY 6-4-6321-1 <i>High angle yoke</i> |
| 2 | 1710 | 1.774-34 | 2.500 | 4.875 | EY 6-4-6331 |
| 2 | 1710 | 1.774-34 | 2.500 | 4.875 | EY 6-4-6331-1 |
| 2 | 1760 | 2.024-39 | 3.000 | 5.188 | EY 6.3-4-1141-1X |
| 3 | SPL140 | 2.024-39 | 3.000 | 5.680 | EY 140-4-211-1 |
| 3 | SPL140 | 2.024-39 | 3.000 | 5.680 | EY 140-4-231-1X |
| 3 | SPL170 | 1.774-34 | 2.500 | 6.440 | EY 170-4-09705-1X <i>High angle yoke</i> |
| 3 | SPL170 | 2.024-39 | 3.000 | 5.090 | EY 170-4-641-1 |
| 3 | SPL170 | 2.024-39 | 3.000 | 5.090 | EY 170-4-651-1X |
| 3 | SPL170 | 2.024-39 | 3.000 | 6.391 | EY 170-4-661-1 <i>High angle yoke</i> |
| 3 | SPL170 | 2.024-39 | 3.000 | 6.391 | EY 170-4-671-1X <i>High angle yoke</i> |
| 3 | SPL170 | 2.024-39 | 3.000 | 5.090 | EY 170-4-681-1X |
| 3 | SPL170 | 1.774-34 | 2.500 | 6.440 | EY 5009705 <i>High angle yoke</i> |
| 3 | SPL90 | 2.024-39 | 3.000 | 4.625 | EY 90-4-311-1 |
| 3 | SPL90 | 2.024-39 | 3.000 | 4.625 | EY 90-4-321-1X |

*C/L to End of Hub for EY (End Yoke); Flange Face to End of Hub for CF (Companion Flange)

■ Hub machined for speedometer gear



| Pos | Series | Spline Data | Hub Dia | * to End of Hub | End Fitting Part Number |
|---------------------------|--------|-------------|---------|-----------------|--|
| SQ-100 (Continued) | | | | | |
| 3 | 1480 | 2.024-39 | 3.000 | 4.281 | EY 3-4-8861 |
| 3 | 1480 | 2.024-39 | 3.000 | 4.281 | EY 3-4-8871X |
| 3 | 1550 | 2.024-39 | 3.000 | 5.000 | EY 4-4-5261-1 |
| 3 | 1550 | 2.024-39 | 3.000 | 5.000 | EY 4-4-6731-1X |
| 3 | 1610 | 2.024-39 | 3.000 | 6.219 | EY 5-4-6241 <i>High angle yoke</i> |
| 3 | 1610 | 2.024-39 | 3.000 | 6.219 | EY 5-4-6241-1 <i>High angle yoke</i> |
| 3 | 1610 | 2.024-39 | 3.000 | 5.531 | EY 5-4-6271 |
| 3 | 1610 | 2.024-39 | 3.000 | 5.531 | EY 5-4-6281X |
| 3 | 1610 | 2.024-39 | 3.000 | 6.219 | EY 5-4-6291-1X <i>High angle yoke</i> |
| 3 | 1610 | 2.024-39 | 3.000 | 6.219 | EY 5-4-6291X <i>High angle yoke</i> |
| 3 | 1610 | 2.024-39 | 3.000 | 4.875 | EY 5-4-6421-1 |
| 3 | 1610 | 2.024-39 | 3.000 | 4.875 | EY 5-4-6441-1X |
| 3 | 1710 | 2.024-39 | 3.000 | 6.250 | EY 6-4-6371 <i>High angle yoke</i> |
| 3 | 1710 | 2.024-39 | 3.000 | 6.250 | EY 6-4-6371-1 <i>High angle yoke</i> |
| 3 | 1710 | 2.024-39 | 3.000 | 6.250 | EY 6-4-6391-1X <i>High angle yoke</i> |
| 3 | 1710 | 2.024-39 | 3.000 | 6.250 | EY 6-4-6391X <i>High angle yoke</i> |
| 3 | 1710 | 2.024-39 | 3.000 | 5.156 | EY 6-4-6401 |
| 3 | 1710 | 2.024-39 | 3.000 | 5.156 | EY 6-4-6401-1 |
| 3 | 1710 | 2.024-39 | 3.000 | 5.156 | EY 6-4-6421X |
| 3 | 1710 | 2.024-39 | 3.000 | 5.156 | EY 6-4-7621-1 |
| 3 | 1710 | 2.024-39 | 3.000 | 5.156 | EY 6-4-7641-1X |
| 3 | 1760 | 2.024-39 | 3.000 | 5.188 | EY 6.3-4-1141-1X |
| 3 | 1760 | 2.024-39 | 3.000 | 5.188 | EY 6.3-4-531 |
| 3 | 1760 | 2.024-39 | 3.000 | 5.188 | EY 6.3-4-531-1 |
| 3 | 1810 | 2.024-39 | 3.000 | 5.190 | EY 6.5-4-3371 |
| 3 | 1810 | 2.024-39 | 3.000 | 5.190 | EY 6.5-4-3371-1 |
| 3 | 1810 | 2.024-39 | 3.000 | 5.190 | EY 6.5-4-3381-1X |
| 3 | 1810 | 2.024-39 | 3.000 | 5.190 | EY 6.5-4-3381X |

| Pos | Series | Spline Data | Hub Dia | * to End of Hub | End Fitting Part Number |
|----------------|--------|-------------|---------|-----------------|--|
| SQ-100P | | | | | |
| 1 | 1610 | 2.024-39 | 3.000 | 5.531 | EY 5-4-6281X |
| 1 | 1610 | 2.024-39 | 3.000 | 4.875 | EY 5-4-6431-1X |
| 1 | 1610 | 2.024-39 | 3.000 | 4.875 | EY 5-4-6431X |
| 1 | 1710 | 2.024-39 | 3.000 | 6.250 | EY 6-4-6381X <i>High angle yoke</i> |
| 1 | 1710 | 2.024-39 | 3.000 | 5.156 | EY 6-4-6411X |
| 1 | 1710 | 2.024-39 | 3.000 | 5.156 | EY 6-4-7631-1X |
| 1 | 1760 | 2.024-39 | 3.000 | 5.188 | EY 6.3-4-541-1X |
| 1 | 1760 | 2.024-39 | 3.000 | 5.188 | EY 6.3-4-541X |
| 1 | 1810 | 2.024-39 | 3.000 | 5.190 | EY 6.5-4-3381-1X |
| 1 | 1810 | 2.024-39 | 3.000 | 5.190 | EY 6.5-4-3381X |
| 1 | 1810 | 2.024-39 | 3.000 | 5.188 | EY 6.5-4-3851-1X |
| 2 | 1610 | 2.250-10 | 3.500 | 3.625 | CF 5-1-6331 |
| 2 | 1610 | 1.774-34 | 2.500 | 6.062 | EY 5-4-6251 <i>High angle yoke</i> |
| 2 | 1610 | 1.774-34 | 2.500 | 5.438 | EY 5-4-6261 |
| 2 | 1710 | 1.774-34 | 2.500 | 5.969 | EY 6-4-6321 <i>High angle yoke</i> |
| 2 | 1710 | 1.774-34 | 2.500 | 4.875 | EY 6-4-6331 <i>High angle yoke</i> |
| 3 | 1610 | 2.024-39 | 3.000 | 5.531 | EY 5-4-6281X |
| 3 | 1610 | 2.024-39 | 3.000 | 6.219 | EY 5-4-6291X <i>High angle yoke</i> |
| 3 | 1610 | 2.024-39 | 3.000 | 4.875 | EY 5-4-6431-1X |

| Pos | Series | Spline Data | Hub Dia | * to End of Hub | End Fitting Part Number |
|----------------------------|--------|-------------|---------|-----------------|--|
| SQ-100P (Continued) | | | | | |
| 3 | 1610 | 2.024-39 | 3.000 | 4.875 | EY 5-4-6431X |
| 3 | 1610 | 2.024-39 | 3.000 | 4.875 | EY 5-4-6441-1X |
| 3 | 1710 | 2.024-39 | 3.000 | 6.250 | EY 6-4-6391X <i>High angle yoke</i> |
| 3 | 1710 | 2.024-39 | 3.000 | 5.156 | EY 6-4-6421-1X |
| 3 | 1710 | 2.024-39 | 3.000 | 5.156 | EY 6-4-6421X |
| 3 | 1710 | 2.024-39 | 3.000 | 5.156 | EY 6-4-7631-1X |
| 3 | 1710 | 2.024-39 | 3.000 | 5.156 | EY 6-4-7641-1X |
| 3 | 1710 | 2.024-39 | 3.000 | 5.156 | EY 6-4-8601-1X |
| 3 | 1760 | 2.024-39 | 3.000 | 5.188 | EY 6.3-4-1141-1X |
| 3 | 1760 | 2.024-39 | 3.000 | 5.188 | EY 6.3-4-541-1X |
| 3 | 1760 | 2.024-39 | 3.000 | 5.188 | EY 6.3-4-541X |

| Pos | Series | Spline Data | Hub Dia | * to End of Hub | End Fitting Part Number |
|------------|--------|-------------|---------|-----------------|-------------------------|
| SQD | | | | | |
| 1 | 1610 | 2.000-10 | 2.938 | 5.188 | EY 5-4-5131X |
| 1 | 1710 | 2.000-10 | 2.938 | 5.188 | EY 6-4-4291X |
| 1 | 1710 | 2.000-10 | 2.938 | 5.188 | EY 6-4-4741X |
| 1 | 1810 | 2.000-10 | 2.938 | 5.375 | EY 6.5-4-2341X |
| 2 | 1610 | 2.000-10 | 2.938 | 5.188 | EY 5-4-5131X |
| 2 | 1710 | 2.000-10 | 2.938 | 5.188 | EY 6-4-4291X |
| 2 | 1710 | 2.000-10 | 2.938 | 5.188 | EY 6-4-4741X |
| 2 | 1810 | 2.000-10 | 2.938 | 5.375 | EY 6.5-4-2341X |
| 3 | 1610 | 2.000-10 | 2.938 | 5.188 | EY 5-4-5131X |
| 3 | 1710 | 2.000-10 | 2.938 | 5.188 | EY 6-4-4291X |
| 3 | 1710 | 2.000-10 | 2.938 | 5.188 | EY 6-4-4741X |
| 3 | 1810 | 2.000-10 | 2.938 | 5.375 | EY 6.5-4-2341X |

| Pos | Series | Spline Data | Hub Dia | * to End of Hub | End Fitting Part Number |
|-------------|--------|-------------|---------|-----------------|-------------------------|
| SQDD | | | | | |
| 1 | 1710 | 2.000-10 | 2.750 | 5.188 | EY 6-4-4391X |
| 2 | 1610 | 2.000-10 | 2.938 | 5.188 | EY 5-4-5131X |
| 2 | 1710 | 2.000-10 | 2.938 | 5.188 | EY 6-4-4291X |
| 2 | 1710 | 2.000-10 | 2.938 | 5.188 | EY 6-4-4741X |
| 3 | 1610 | 2.000-10 | 2.938 | 5.188 | EY 5-4-5131X |
| 3 | 1710 | 2.000-10 | 2.938 | 5.188 | EY 6-4-4291X |
| 3 | 1710 | 2.000-10 | 2.938 | 5.188 | EY 6-4-4741X |

| Pos | Series | Spline Data | Hub Dia | * to End of Hub | End Fitting Part Number |
|-------------|--------|-------------|---------|-----------------|-------------------------|
| SQHD | | | | | |
| 1 | 1710 | 1.750-10 | 2.750 | 2.938 | CF 6-1-1761 |
| 1 | 1610 | 2.000-10 | 2.938 | 5.188 | EY 5-4-5131X |
| 1 | 1710 | 2.000-10 | 2.938 | 5.188 | EY 6-4-3241 |
| 1 | 1710 | 2.000-10 | 2.938 | 5.188 | EY 6-4-4291X |
| 1 | 1760 | 2.000-10 | 2.938 | 5.375 | EY 6.3-4-181X |
| 1 | 1810 | 2.000-10 | 2.938 | 5.375 | EY 6.5-4-2341X |
| 2 | 1610 | 1.750-10 | 2.750 | 5.000 | EY 5-4-3621 |
| 2 | 1610 | 1.750-10 | 2.750 | 5.406 | EY 5-4-4481 |
| 2 | 1710 | 1.750-10 | 2.750 | 4.875 | EY 6-4-2381 |
| 2 | 1710 | 1.750-10 | 2.750 | 6.250 | EY 6-4-4831X |
| 3 | 1710 | 1.750-10 | 2.750 | 6.250 | EY 6-4-4831X |

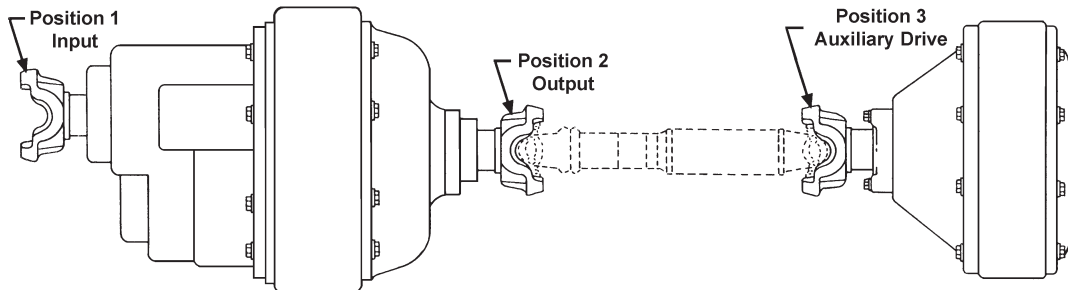
| Pos | Series | Spline Data | Hub Dia | * to End of Hub | End Fitting Part Number |
|-------------|--------|-------------|---------|-----------------|--|
| SQHP | | | | | |
| 1 | 1610 | 2.024-39 | 3.000 | 5.531 | EY 5-4-6281X |
| 1 | 1610 | 2.024-39 | 3.000 | 4.875 | EY 5-4-6431-1X |
| 1 | 1610 | 2.024-39 | 3.000 | 4.875 | EY 5-4-6431X |
| 1 | 1710 | 2.024-39 | 3.000 | 5.188 | EY 6-4-5101X |
| 1 | 1710 | 2.024-39 | 3.000 | 6.250 | EY 6-4-6371-1 <i>High angle yoke</i> |
| 1 | 1710 | 2.024-39 | 3.000 | 6.250 | EY 6-4-6381X <i>High angle yoke</i> |
| 1 | 1710 | 2.024-39 | 3.000 | 6.250 | EY 6-4-6391-1X <i>High angle yoke</i> |
| 1 | 1710 | 2.024-39 | 3.000 | 5.156 | EY 6-4-6401 <i>High angle yoke</i> |

Continued on next page

*C/L to End of Hub for EY (End Yoke); Flange Face to End of Hub for CF (Companion Flange)

■ Hub machined for speedometer gear





| Pos | Series | Spline Data | Hub Dia | * to End of Hub | End Fitting Part Number |
|-----|--------|-------------|---------|-----------------|-------------------------|
|-----|--------|-------------|---------|-----------------|-------------------------|

SQHP (Continued)

| | | | | | |
|---|------|----------|-------|-------|--|
| 1 | 1710 | 2.024-39 | 3.000 | 5.156 | EY 6-4-6401-1 |
| 1 | 1710 | 2.024-39 | 3.000 | 5.156 | EY 6-4-6411X |
| 1 | 1710 | 2.024-39 | 3.000 | 5.156 | EY 6-4-7621-1 |
| 1 | 1710 | 2.024-39 | 3.000 | 5.156 | EY 6-4-7631-1X |
| 1 | 1760 | 2.024-39 | 3.000 | 5.188 | EY 6.3-4-191X |
| 1 | 1760 | 2.024-39 | 3.000 | 5.188 | EY 6.3-4-531 |
| 1 | 1760 | 2.024-39 | 3.000 | 5.188 | EY 6.3-4-531-1 |
| 1 | 1760 | 2.024-39 | 3.000 | 5.188 | EY 6.3-4-541-1X |
| 1 | 1760 | 2.024-39 | 3.000 | 5.188 | EY 6.3-4-541X |
| 1 | 1810 | 2.024-39 | 3.000 | 5.188 | EY 6.5-4-2491X |
| 1 | 1810 | 2.024-39 | 3.000 | 5.190 | EY 6.5-4-3371 |
| 1 | 1810 | 2.024-39 | 3.000 | 5.190 | EY 6.5-4-3371-1 |
| 1 | 1810 | 2.024-39 | 3.000 | 5.190 | EY 6.5-4-3381-1X |
| 1 | 1810 | 2.024-39 | 3.000 | 5.190 | EY 6.5-4-3381X |
| 1 | 1810 | 2.024-39 | 3.000 | 5.750 | EY 6.5-4-3881-1X |
| 2 | 1610 | 1.774-34 | 2.500 | 6.062 | EY 5-4-6251 <i>High angle yoke</i> |
| 2 | 1610 | 1.774-34 | 2.500 | 5.438 | EY 5-4-6261 |
| 2 | 1710 | 1.774-34 | 2.500 | 4.875 | EY 6-4-6331 |
| 2 | 1760 | 2.024-39 | 3.000 | 5.188 | EY 6.3-4-1141-1X |
| 3 | 1610 | 2.024-39 | 3.000 | 5.531 | EY 5-4-6281X |
| 3 | 1610 | 2.024-39 | 3.000 | 6.219 | EY 5-4-6291X <i>High angle yoke</i> |
| 3 | 1610 | 2.024-39 | 3.000 | 4.875 | EY 5-4-6431-1X |
| 3 | 1610 | 2.024-39 | 3.000 | 4.875 | EY 5-4-6431X |
| 3 | 1610 | 2.024-39 | 3.000 | 4.875 | EY 5-4-6441-1X |
| 3 | 1710 | 2.024-39 | 3.000 | 6.250 | EY 6-4-6391X <i>High angle yoke</i> |
| 3 | 1710 | 2.024-39 | 3.000 | 5.156 | EY 6-4-6401 |
| 3 | 1710 | 2.024-39 | 3.000 | 5.156 | EY 6-4-6421-1X |
| 3 | 1710 | 2.024-39 | 3.000 | 5.156 | EY 6-4-6421X |
| 3 | 1710 | 2.024-39 | 3.000 | 5.156 | EY 6-4-7621-1 |
| 3 | 1710 | 2.024-39 | 3.000 | 5.156 | EY 6-4-7631-1X |
| 3 | 1710 | 2.024-39 | 3.000 | 5.156 | EY 6-4-7641-1X |
| 3 | 1710 | 2.024-39 | 3.000 | 5.156 | EY 6-4-8601-1X |
| 3 | 1760 | 2.024-39 | 3.000 | 5.188 | EY 6.3-4-1141-1X |

SQHP-P

| | | | | | |
|---|------|----------|-------|-------|------------------|
| 1 | 1810 | 2.024-39 | 3.000 | 5.188 | EY 6.5-4-3851-1X |
|---|------|----------|-------|-------|------------------|

SQR-100

| | | | | | |
|---|------|----------|-------|-------|--|
| 1 | 1610 | 2.024-39 | 3.000 | 5.531 | EY 5-4-6281X |
| 1 | 1610 | 2.024-39 | 3.000 | 4.875 | EY 5-4-6431-1X |
| 1 | 1610 | 2.024-39 | 3.000 | 4.875 | EY 5-4-6431X |
| 1 | 1710 | 2.024-39 | 3.000 | 6.250 | EY 6-4-6381X <i>High angle yoke</i> |
| 1 | 1710 | 2.024-39 | 3.000 | 5.156 | EY 6-4-6401 |
| 1 | 1710 | 2.024-39 | 3.000 | 5.156 | EY 6-4-6401-1 |
| 1 | 1710 | 2.024-39 | 3.000 | 5.156 | EY 6-4-6411X |

| Pos | Series | Spline Data | Hub Dia | * to End of Hub | End Fitting Part Number |
|-----|--------|-------------|---------|-----------------|-------------------------|
|-----|--------|-------------|---------|-----------------|-------------------------|

SQR-100 (Continued)

| | | | | | |
|---|------|----------|-------|-------|--|
| 1 | 1710 | 2.024-39 | 3.000 | 5.156 | EY 6-4-7621-1 |
| 1 | 1710 | 2.024-39 | 3.000 | 5.156 | EY 6-4-7631-1X |
| 1 | 1760 | 2.024-39 | 3.000 | 5.188 | EY 6.3-4-531 |
| 1 | 1760 | 2.024-39 | 3.000 | 5.188 | EY 6.3-4-531-1 |
| 1 | 1760 | 2.024-39 | 3.000 | 5.188 | EY 6.3-4-541-1X |
| 1 | 1760 | 2.024-39 | 3.000 | 5.188 | EY 6.3-4-541X |
| 1 | 1810 | 2.024-39 | 3.000 | 5.190 | EY 6.5-4-3381-1X |
| 1 | 1810 | 2.024-39 | 3.000 | 5.190 | EY 6.5-4-3381X |
| 1 | 1810 | 2.024-39 | 3.000 | 5.750 | EY 6.5-4-3881-1X |
| 2 | 1610 | 1.774-34 | 2.500 | 6.062 | EY 5-4-6251 <i>High angle yoke</i> |
| 2 | 1610 | 1.774-34 | 2.500 | 5.438 | EY 5-4-6261 |
| 2 | 1710 | 1.774-34 | 2.500 | 5.969 | EY 6-4-6321 <i>High angle yoke</i> |
| 2 | 1710 | 1.774-34 | 2.500 | 4.875 | EY 6-4-6331 |
| 2 | 1760 | 2.024-39 | 3.000 | 5.188 | EY 6.3-4-1141-1X |
| 3 | 1610 | 2.024-39 | 3.000 | 5.531 | EY 5-4-6281X |
| 3 | 1610 | 2.024-39 | 3.000 | 6.219 | EY 5-4-6291X <i>High angle yoke</i> |
| 3 | 1610 | 2.024-39 | 3.000 | 4.875 | EY 5-4-6431-1X |
| 3 | 1610 | 2.024-39 | 3.000 | 4.875 | EY 5-4-6431X |
| 3 | 1610 | 2.024-39 | 3.000 | 4.875 | EY 5-4-6441-1X |
| 3 | 1710 | 2.024-39 | 3.000 | 6.250 | EY 6-4-6391X <i>High angle yoke</i> |
| 3 | 1710 | 2.024-39 | 3.000 | 5.156 | EY 6-4-6401 |
| 3 | 1710 | 2.024-39 | 3.000 | 5.156 | EY 6-4-6421-1X |
| 3 | 1710 | 2.024-39 | 3.000 | 5.156 | EY 6-4-6421X |
| 3 | 1710 | 2.024-39 | 3.000 | 5.156 | EY 6-4-7621-1 |
| 3 | 1710 | 2.024-39 | 3.000 | 5.156 | EY 6-4-7631-1X |
| 3 | 1710 | 2.024-39 | 3.000 | 5.156 | EY 6-4-7641-1X |
| 3 | 1710 | 2.024-39 | 3.000 | 5.156 | EY 6-4-8601-1X |
| 3 | 1760 | 2.024-39 | 3.000 | 5.188 | EY 6.3-4-1141-1X |

SQR-100P

| | | | | | |
|---|------|----------|-------|-------|--|
| 1 | 1610 | 2.024-39 | 3.000 | 5.531 | EY 5-4-6281X |
| 1 | 1610 | 2.024-39 | 3.000 | 4.875 | EY 5-4-6431-1X |
| 1 | 1610 | 2.024-39 | 3.000 | 4.875 | EY 5-4-6431X |
| 1 | 1710 | 2.024-39 | 3.000 | 6.250 | EY 6-4-6381X <i>High angle yoke</i> |
| 1 | 1710 | 2.024-39 | 3.000 | 5.156 | EY 6-4-6401 |
| 1 | 1710 | 2.024-39 | 3.000 | 5.156 | EY 6-4-6401-1 |
| 1 | 1710 | 2.024-39 | 3.000 | 5.156 | EY 6-4-6411X |
| 1 | 1710 | 2.024-39 | 3.000 | 5.156 | EY 6-4-7621-1 |
| 1 | 1710 | 2.024-39 | 3.000 | 5.156 | EY 6-4-7631-1X |
| 1 | 1760 | 2.024-39 | 3.000 | 5.188 | EY 6.3-4-531 |
| 1 | 1760 | 2.024-39 | 3.000 | 5.188 | EY 6.3-4-531-1 |
| 1 | 1760 | 2.024-39 | 3.000 | 5.188 | EY 6.3-4-541-1X |
| 1 | 1760 | 2.024-39 | 3.000 | 5.188 | EY 6.3-4-541X |
| 1 | 1810 | 2.024-39 | 3.000 | 5.190 | EY 6.5-4-3381-1X |

*C/L to End of Hub for EY (End Yoke); Flange Face to End of Hub for CF (Companion Flange)

■ Hub machined for speedometer gear



| Pos | Series | Spline Data | Hub Dia | * to End of Hub | End Fitting Part Number |
|-----------------------------|--------|-------------|---------|-----------------|--|
| SQR-100P (Continued) | | | | | |
| 1 | 1810 | 2.024-39 | 3.000 | 5.190 | EY 6.5-4-3381X |
| 2 | 1610 | 1.774-34 | 2.500 | 6.062 | EY 5-4-6251 <i>High angle yoke</i> |
| 2 | 1610 | 1.774-34 | 2.500 | 5.438 | EY 5-4-6261 |
| 2 | 1710 | 1.774-34 | 2.500 | 5.969 | EY 6-4-6321 <i>High angle yoke</i> |
| 2 | 1710 | 1.774-34 | 2.500 | 4.875 | EY 6-4-6331 |
| 3 | 1610 | 2.024-39 | 3.000 | 5.531 | EY 5-4-6281X |
| 3 | 1610 | 2.024-39 | 3.000 | 6.219 | EY 5-4-6291X <i>High angle yoke</i> |
| 3 | 1610 | 2.024-39 | 3.000 | 4.875 | EY 5-4-6431-1X |
| 3 | 1610 | 2.024-39 | 3.000 | 4.875 | EY 5-4-6431X |
| 3 | 1610 | 2.024-39 | 3.000 | 4.875 | EY 5-4-6441-1X |
| 3 | 1710 | 2.024-39 | 3.000 | 6.250 | EY 6-4-6391X <i>High angle yoke</i> |
| 3 | 1710 | 2.024-39 | 3.000 | 5.156 | EY 6-4-6421-1X |
| 3 | 1710 | 2.024-39 | 3.000 | 5.156 | EY 6-4-6421X |
| 3 | 1710 | 2.024-39 | 3.000 | 5.156 | EY 6-4-7631-1X |
| 3 | 1710 | 2.024-39 | 3.000 | 5.156 | EY 6-4-7641-1X |
| 3 | 1710 | 2.024-39 | 3.000 | 5.156 | EY 6-4-8601-1X |
| 3 | 1760 | 2.024-39 | 3.000 | 5.188 | EY 6.3-4-1141-1X |
| 3 | 1760 | 2.024-39 | 3.000 | 5.188 | EY 6.3-4-541X |

| Pos | Series | Spline Data | Hub Dia | * to End of Hub | End Fitting Part Number |
|---------------|--------|-------------|---------|-----------------|--|
| SR-170 | | | | | |
| 1 | 1710 | 2.374-46 | 3.250 | 5.938 | EY 6-4-5961X |
| 1 | 1760 | 2.374-46 | 3.250 | 5.625 | EY 6.3-4-301-1X |
| 1 | 1760 | 2.374-46 | 3.250 | 5.625 | EY 6.3-4-301X |
| 1 | 1810 | 2.374-46 | 3.250 | 5.688 | EY 6.5-4-3221-1X |
| 1 | 1810 | 2.374-46 | 3.250 | 5.688 | EY 6.5-4-3221X |
| 2 | 1610 | 2.024-39 | 3.000 | 5.531 | EY 5-4-6271 |
| 2 | 1710 | 2.024-39 | 3.000 | 5.156 | EY 6-4-6401 |
| 2 | 1710 | 2.024-39 | 3.000 | 5.156 | EY 6-4-6401-1 |
| 2 | 1760 | 2.024-39 | 3.000 | 5.188 | EY 6.3-4-531 |
| 2 | 1810 | 2.024-39 | 3.000 | 5.190 | EY 6.5-4-3371 |
| 3 | 1610 | 2.250-10 | 3.000 | 5.625 | EY 5-4-6891X |
| 3 | 1710 | 2.250-10 | 3.000 | 6.062 | EY 6-4-4411-1X |
| 3 | 1710 | 2.250-10 | 3.000 | 6.062 | EY 6-4-4411X |
| 3 | 1710 | 2.250-10 | 3.000 | 7.188 | EY 6-4-6891X <i>High angle yoke</i> |
| 3 | 1760 | 2.250-10 | 3.000 | 5.844 | EY 6.3-4-731-1X |
| 3 | 1760 | 2.250-10 | 3.000 | 5.844 | EY 6.3-4-731X |
| 3 | 1810 | 2.250-10 | 3.000 | 5.844 | EY 6.5-4-2551X |

| Pos | Series | Spline Data | Hub Dia | * to End of Hub | End Fitting Part Number |
|---------------------|--------|-------------|---------|-----------------|--|
| SR-270SR-280 | | | | | |
| 1 | 1760 | 2.374-46 | 3.250 | 5.625 | EY 6.3-4-301-1X |
| 1 | 1760 | 2.374-46 | 3.250 | 5.625 | EY 6.3-4-301X |
| 1 | 1810 | 2.374-46 | 3.250 | 5.688 | EY 6.5-4-3221-1X |
| 1 | 1810 | 2.374-46 | 3.250 | 5.688 | EY 6.5-4-3221X |
| 2 | 1610 | 2.024-39 | 3.000 | 5.531 | EY 5-4-6271 |
| 2 | 1710 | 2.024-39 | 3.000 | 5.156 | EY 6-4-6401 |
| 2 | 1710 | 2.024-39 | 3.000 | 5.156 | EY 6-4-6401-1 |
| 2 | 1760 | 2.024-39 | 3.000 | 5.188 | EY 6.3-4-531 |
| 2 | 1810 | 2.024-39 | 3.000 | 5.190 | EY 6.5-4-3371 |
| 3 | 1710 | 2.024-39 | 3.000 | 6.250 | EY 6-4-6381X <i>High angle yoke</i> |
| 3 | 1710 | 2.024-39 | 3.000 | 6.250 | EY 6-4-6391X <i>High angle yoke</i> |
| 3 | 1810 | 2.024-39 | 3.000 | 5.190 | EY 6.5-4-3381X |

| Pos | Series | Spline Data | Hub Dia | * to End of Hub | End Fitting Part Number |
|------------|-----------|-------------|---------|-----------------|---|
| SRD | | | | | |
| 1 | 1650/1710 | 2.250-10 | 3.000 | 3.750 | CF 6-1-1421 <i>.250 deep counterbore at hub end</i> |
| 1 | 1810 | 2.250-10 | 3.000 | 3.750 | CF 6.5-1-211 <i>.250 deep counterbore at hub end</i> |
| 1 | 1610 | 2.250-10 | 3.000 | 5.625 | EY 5-4-6891X |
| 1 | 1710 | 2.250-10 | 3.000 | 6.062 | EY 6-4-4411X |
| 1 | 1810 | 2.250-10 | 3.000 | 5.844 | EY 6.5-4-2551X |
| 2 | 1610 | 2.250-10 | 3.000 | 5.625 | EY 5-4-6891X |
| 2 | 1710 | 2.250-10 | 3.000 | 6.062 | EY 6-4-4411X |
| 2 | 1810 | 2.250-10 | 3.000 | 5.844 | EY 6.5-4-2551X |
| 3 | 1610 | 2.250-10 | 3.000 | 5.625 | EY 5-4-6891X |
| 3 | 1710 | 2.250-10 | 3.000 | 6.062 | EY 6-4-4411X |
| 3 | 1810 | 2.250-10 | 3.000 | 5.844 | EY 6.5-4-2551X |

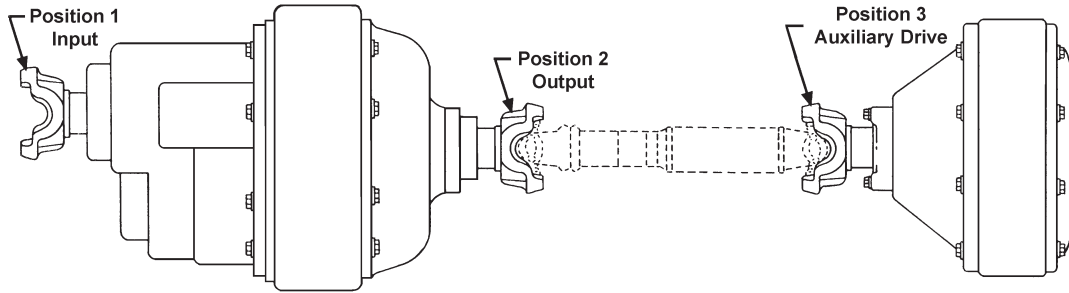
| Pos | Series | Spline Data | Hub Dia | * to End of Hub | End Fitting Part Number |
|-------------|-----------|-------------|---------|-----------------|--|
| SRDD | | | | | |
| 1 | 1650/1710 | 2.250-10 | 3.000 | 3.750 | CF 6-1-1421 <i>.250 deep counterbore at hub end</i> |
| 1 | 1610 | 2.250-10 | 3.000 | 5.625 | EY 5-4-6891X |
| 1 | 1710 | 2.250-10 | 3.000 | 6.062 | EY 6-4-1991 |
| 1 | 1710 | 2.250-10 | 3.000 | 6.062 | EY 6-4-1991-1 |
| 1 | 1710 | 2.250-10 | 3.000 | 6.062 | EY 6-4-4411-1X |
| 1 | 1710 | 2.250-10 | 3.000 | 6.062 | EY 6-4-4411X |
| 1 | 1710 | 2.374-46 | 3.250 | 5.688 | EY 6-4-5461-1X |
| 1 | 1710 | 2.374-46 | 3.250 | 5.688 | EY 6-4-5461X |
| 1 | 1760 | 2.374-46 | 3.250 | 5.438 | EY 6.3-4-101 |
| 1 | 1760 | 2.374-46 | 3.250 | 5.438 | EY 6.3-4-101-1 |
| 1 | 1760 | 2.374-46 | 3.250 | 5.438 | EY 6.3-4-211-1X |
| 1 | 1760 | 2.374-46 | 3.250 | 5.438 | EY 6.3-4-211X |
| 1 | 1810 | 2.374-46 | 3.250 | 5.438 | EY 6.5-4-2701 |
| 1 | 1810 | 2.374-46 | 3.250 | 5.438 | EY 6.5-4-2701-1 |
| 1 | 1810 | 2.374-46 | 3.250 | 5.438 | EY 6.5-4-2711-1X |
| 1 | 1810 | 2.374-46 | 3.250 | 5.438 | EY 6.5-4-2711X |
| 2 | 1610 | 1.960-10 | 2.750 | 5.125 | EY 5-4-5281X |
| 2 | 1610 | 1.962-10 | 2.750 | 5.938 | EY 5-4-5321X |
| 2 | 1610 | 2.250-10 | 3.000 | 5.625 | EY 5-4-6891X |
| 2 | 1610 | 2.024-39 | 2.750 | 5.125 | EY 5-4-6951X |
| 2 | 1610 | 2.024-39 | 2.750 | 5.938 | EY 5-4-6961X <i>High angle yoke</i> |
| 2 | 1710 | 1.960-10 | 2.750 | 5.250 | EY 6-4-4361X |
| 2 | 1710 | 2.250-10 | 3.000 | 6.062 | EY 6-4-4411X |
| 2 | 1710 | 1.960-10 | 2.750 | 6.500 | EY 6-4-4481X <i>High angle yoke</i> |
| 2 | 1710 | 2.024-39 | 2.750 | 6.500 | EY 6-4-5501-1 <i>High angle yoke</i> |
| 2 | 1710 | 2.024-39 | 2.750 | 6.500 | EY 6-4-6871-1X <i>High angle yoke</i> |
| 2 | 1710 | 2.024-39 | 2.750 | 6.500 | EY 6-4-6871X |
| 2 | 1710 | 2.024-39 | 2.750 | 4.812 | EY 6-4-6941X |
| 2 | 1710 | 2.024-39 | 2.750 | 5.250 | EY 6-4-6951X |
| 2 | 1810 | 2.250-10 | 3.000 | 5.844 | EY 6.5-4-2551X |
| 2 | 1810 | 2.024-39 | 2.750 | 5.531 | EY 6.5-4-3571X |
| 3 | 1610 | 1.960-10 | 2.750 | 5.125 | EY 5-4-5281X |
| 3 | 1610 | 1.962-10 | 2.750 | 5.938 | EY 5-4-5321X |
| 3 | 1610 | 2.250-10 | 3.000 | 5.625 | EY 5-4-6891X |
| 3 | 1610 | 2.024-39 | 2.750 | 5.125 | EY 5-4-6951X |
| 3 | 1610 | 2.024-39 | 2.750 | 5.938 | EY 5-4-6961X <i>High angle yoke</i> |
| 3 | 1710 | 1.960-10 | 2.750 | 5.250 | EY 6-4-4361X |
| 3 | 1710 | 2.250-10 | 3.000 | 6.062 | EY 6-4-4411X |

Continued on next page

*C/L to End of Hub for EY (End Yoke); Flange Face to End of Hub for CF (Companion Flange)

■ Hub machined for speedometer gear





| Pos | Series | Spline Data | Hub Dia | * to End of Hub | End Fitting Part Number |
|-----|--------|-------------|---------|-----------------|-------------------------|
|-----|--------|-------------|---------|-----------------|-------------------------|

SRDD (Continued)

| | | | | | |
|---|------|----------|-------|-------|--|
| 3 | 1710 | 1.960-10 | 2.750 | 6.500 | EY 6-4-4481X <i>High angle yoke</i> |
| 3 | 1710 | 2.024-39 | 2.750 | 6.500 | EY 6-4-5501-1 <i>High angle yoke</i> |
| 3 | 1710 | 2.024-39 | 2.750 | 6.500 | EY 6-4-6871-1X <i>High angle yoke</i> |
| 3 | 1710 | 2.024-39 | 2.750 | 6.500 | EY 6-4-6871X |
| 3 | 1710 | 2.024-39 | 2.750 | 4.812 | EY 6-4-6941X |
| 3 | 1710 | 2.024-39 | 2.750 | 5.250 | EY 6-4-6951X |
| 3 | 1810 | 2.250-10 | 3.000 | 5.844 | EY 6.5-4-2551X |
| 3 | 1810 | 2.024-39 | 2.750 | 5.625 | EY 6.5-4-3571-1X |
| 3 | 1810 | 2.024-39 | 2.750 | 5.531 | EY 6.5-4-3571X |

SRHD

| | | | | | |
|---|-----------|----------|-------|-------|--|
| 1 | 1650/1710 | 2.250-10 | 3.000 | 3.750 | CF 6-1-1421 .250 deep counterbore at hub end |
| 1 | 1810 | 2.250-10 | 3.000 | 3.750 | CF 6.5-1-211 .250 deep counterbore at hub end |
| 1 | 1610 | 2.250-10 | 3.000 | 5.625 | EY 5-4-6891X |
| 1 | 1710 | 2.250-10 | 3.000 | 6.062 | EY 6-4-1991 |
| 1 | 1710 | 2.250-10 | 3.000 | 6.062 | EY 6-4-1991-1 |
| 1 | 1710 | 2.250-10 | 3.000 | 6.062 | EY 6-4-4411-1X |
| 1 | 1710 | 2.250-10 | 3.000 | 6.062 | EY 6-4-4411X |
| 1 | 1710 | 2.250-10 | 3.000 | 7.188 | EY 6-4-6891X <i>High angle yoke</i> |
| 1 | 1810 | 2.250-10 | 3.000 | 5.844 | EY 6.5-4-2551X |
| 2 | 1610 | 1.962-10 | 2.750 | 5.938 | EY 5-4-5321X |
| 2 | 1710 | 1.960-10 | 2.750 | 5.250 | EY 6-4-4361X |
| 2 | 1710 | 1.960-10 | 2.750 | 6.500 | EY 6-4-4481X <i>High angle yoke</i> |
| 3 | 1480 | 1.875-10 | 2.750 | 4.406 | EY 3-4-6671-1X |
| 3 | 1550 | 1.875-10 | 2.750 | 4.406 | EY 4-4-1941 |
| 3 | 1610 | 1.875-10 | 2.750 | 5.000 | EY 5-4-2501 |

SSHD

| | | | | | |
|---|--------|----------|-------|-------|------------------|
| 1 | SPL250 | 2.374-46 | 3.250 | 5.610 | EY 250-4-771-1 |
| 1 | SPL250 | 2.374-46 | 3.250 | 5.610 | EY 250-4-781-1X |
| 1 | 1710 | 2.250-10 | 3.000 | 6.062 | EY 6-4-1991 |
| 1 | 1710 | 2.374-46 | 3.250 | 5.688 | EY 6-4-5461-1X |
| 1 | 1710 | 2.374-46 | 3.250 | 5.688 | EY 6-4-5461X |
| 1 | 1760 | 2.374-46 | 3.250 | 5.438 | EY 6.3-4-101 |
| 1 | 1760 | 2.374-46 | 3.250 | 5.438 | EY 6.3-4-101-1 |
| 1 | 1760 | 2.374-46 | 3.250 | 5.438 | EY 6.3-4-211-1X |
| 1 | 1760 | 2.374-46 | 3.250 | 5.438 | EY 6.3-4-211X |
| 1 | 1810 | 2.374-46 | 3.250 | 5.438 | EY 6.5-4-2701 |
| 1 | 1810 | 2.374-46 | 3.250 | 5.438 | EY 6.5-4-2701-1 |
| 1 | 1810 | 2.374-46 | 3.250 | 5.438 | EY 6.5-4-2711-1X |
| 1 | 1810 | 2.374-46 | 3.250 | 5.438 | EY 6.5-4-2711X |
| 2 | SPL140 | 2.024-39 | 2.750 | 5.250 | EY 140-4-1421-1 |
| 2 | 1610 | 1.960-10 | 2.750 | 5.125 | EY 5-4-5281X |

| Pos | Series | Spline Data | Hub Dia | * to End of Hub | End Fitting Part Number |
|-----|--------|-------------|---------|-----------------|-------------------------|
|-----|--------|-------------|---------|-----------------|-------------------------|

SSHD (Continued)

| | | | | | |
|---|------|----------|-------|-------|--|
| 2 | 1610 | 1.962-10 | 2.750 | 5.938 | EY 5-4-5321X |
| 2 | 1610 | 2.024-39 | 2.750 | 5.125 | EY 5-4-5421 |
| 2 | 1610 | 2.024-39 | 2.750 | 5.938 | EY 5-4-5441 <i>High angle yoke</i> |
| 2 | 1610 | 2.024-39 | 2.750 | 5.125 | EY 5-4-6951X |
| 2 | 1610 | 2.024-39 | 2.750 | 5.938 | EY 5-4-6961X <i>High angle yoke</i> |
| 2 | 1710 | 1.960-10 | 2.750 | 5.250 | EY 6-4-3221 |
| 2 | 1710 | 1.960-10 | 2.750 | 5.250 | EY 6-4-3221-1 |
| 2 | 1710 | 1.960-10 | 2.750 | 5.250 | EY 6-4-4361X |
| 2 | 1710 | 1.960-10 | 2.750 | 6.500 | EY 6-4-4481X <i>High angle yoke</i> |
| 2 | 1710 | 2.024-39 | 2.750 | 6.500 | EY 6-4-5501 |
| 2 | 1710 | 2.024-39 | 2.750 | 6.500 | EY 6-4-5501-1 <i>High angle yoke</i> |
| 2 | 1710 | 2.024-39 | 2.750 | 5.250 | EY 6-4-5521 |
| 2 | 1710 | 2.024-39 | 2.750 | 5.250 | EY 6-4-5521-1 |
| 2 | 1710 | 2.024-39 | 2.750 | 6.500 | EY 6-4-6871-1X <i>High angle yoke</i> |
| 2 | 1710 | 2.024-39 | 2.750 | 6.500 | EY 6-4-6871X |
| 2 | 1710 | 2.024-39 | 2.750 | 6.500 | EY 6-4-5501-1 <i>High angle yoke</i> |
| 2 | 1710 | 2.024-39 | 2.750 | 6.500 | EY 6-4-5501-1 <i>High angle yoke</i> |
| 2 | 1710 | 2.024-39 | 2.750 | 5.250 | EY 6-4-5521 |
| 2 | 1710 | 2.024-39 | 2.750 | 5.250 | EY 6-4-5521-1 |
| 2 | 1710 | 2.024-39 | 2.750 | 6.500 | EY 6-4-6871-1X <i>High angle yoke</i> |
| 2 | 1710 | 2.024-39 | 2.750 | 6.500 | EY 6-4-6871X |
| 2 | 1710 | 2.024-39 | 2.750 | 4.812 | EY 6-4-6941X |
| 2 | 1710 | 1.960-10 | 2.750 | 5.250 | EY 6-4-3221 |
| 2 | 1710 | 1.960-10 | 2.750 | 5.250 | EY 6-4-3221-1 |
| 2 | 1710 | 1.960-10 | 2.750 | 5.250 | EY 6-4-4361X |
| 2 | 1710 | 1.960-10 | 2.750 | 6.500 | EY 6-4-4481X <i>High angle yoke</i> |
| 2 | 1710 | 2.024-39 | 2.750 | 6.500 | EY 6-4-5501 |
| 2 | 1710 | 2.024-39 | 2.750 | 6.500 | EY 6-4-5501-1 <i>High angle yoke</i> |
| 2 | 1710 | 2.024-39 | 2.750 | 5.250 | EY 6-4-5521 |
| 2 | 1710 | 2.024-39 | 2.750 | 5.250 | EY 6-4-5521-1 |
| 2 | 1710 | 2.024-39 | 2.750 | 6.500 | EY 6-4-6871-1X <i>High angle yoke</i> |
| 2 | 1710 | 2.024-39 | 2.750 | 6.500 | EY 6-4-6871X |
| 2 | 1710 | 2.024-39 | 2.750 | 4.812 | EY 6-4-6941X |

*C/L to End of Hub for EY (End Yoke); Flange Face to End of Hub for CF (Companion Flange)

■ Hub machined for speedometer gear



| Pos | Series | Spline Data | Hub Dia | * to End of Hub | End Fitting Part Number |
|-------------------------|--------|-------------|---------|-----------------|-------------------------|
| SSHD (Continued) | | | | | |
| 3 | 1710 | 2.024-39 | 2.750 | 5.250 | EY 6-4-6951-1X |
| 3 | 1710 | 2.024-39 | 2.750 | 5.250 | EY 6-4-6951X |
| 3 | 1810 | 2.024-39 | 2.750 | 5.531 | EY 6.5-4-2781 |
| 3 | 1810 | 2.024-39 | 2.750 | 5.625 | EY 6.5-4-2781-1 |
| 3 | 1810 | 2.024-39 | 2.750 | 5.625 | EY 6.5-4-3571-1X |
| 3 | 1810 | 2.024-39 | 2.750 | 5.531 | EY 6.5-4-3571X |

| | | | | | |
|-------------|------|----------|-------|-------|-----------------|
| SSHF | | | | | |
| 1 | 1760 | 2.374-46 | 3.250 | 5.438 | EY 6.3-4-101 |
| 1 | 1760 | 2.374-46 | 3.250 | 5.438 | EY 6.3-4-101-1 |
| 1 | 1810 | 2.374-46 | 3.250 | 5.438 | EY 6.5-4-2701 |
| 1 | 1810 | 2.374-46 | 3.250 | 5.438 | EY 6.5-4-2701-1 |

| | | | | | |
|---------------|------|----------|-------|-------|--|
| ST-170 | | | | | |
| 1 | 1710 | 2.374-46 | 3.250 | 5.938 | EY 6-4-5961X |
| 1 | 1760 | 2.374-46 | 3.250 | 5.625 | EY 6.3-4-301-1X |
| 1 | 1760 | 2.374-46 | 3.250 | 5.625 | EY 6.3-4-301X |
| 1 | 1810 | 2.374-46 | 3.250 | 5.688 | EY 6.5-4-3221-1X |
| 1 | 1810 | 2.374-46 | 3.250 | 5.688 | EY 6.5-4-3221X |
| 2 | 1610 | 2.024-39 | 3.000 | 5.531 | EY 5-4-6271 |
| 2 | 1710 | 2.024-39 | 3.000 | 5.156 | EY 6-4-6401 |
| 2 | 1710 | 2.024-39 | 3.000 | 5.156 | EY 6-4-6401-1 |
| 2 | 1760 | 2.024-39 | 3.000 | 5.188 | EY 6.3-4-531 |
| 2 | 1810 | 2.024-39 | 3.000 | 5.190 | EY 6.5-4-3371 |
| 3 | 1610 | 2.250-10 | 3.000 | 5.625 | EY 5-4-6891X |
| 3 | 1710 | 2.250-10 | 3.000 | 6.062 | EY 6-4-4411-1X |
| 3 | 1710 | 2.250-10 | 3.000 | 6.062 | EY 6-4-4411X |
| 3 | 1710 | 2.250-10 | 3.000 | 7.188 | EY 6-4-6891X <i>High angle yoke</i> |
| 3 | 1760 | 2.250-10 | 3.000 | 5.844 | EY 6.3-4-731-1X |
| 3 | 1760 | 2.250-10 | 3.000 | 5.844 | EY 6.3-4-731X |
| 3 | 1810 | 2.250-10 | 3.000 | 5.844 | EY 6.5-4-2551X |

| | | | | | |
|-----------------------|------|----------|-------|-------|--|
| ST-270, ST-280 | | | | | |
| 1 | 1760 | 2.374-46 | 3.250 | 5.625 | EY 6.3-4-301-1X |
| 1 | 1760 | 2.374-46 | 3.250 | 5.625 | EY 6.3-4-301X |
| 1 | 1810 | 2.374-46 | 3.250 | 5.688 | EY 6.5-4-3221-1X |
| 1 | 1810 | 2.374-46 | 3.250 | 5.688 | EY 6.5-4-3221X |
| 2 | 1610 | 2.024-39 | 3.000 | 5.531 | EY 5-4-6271 |
| 2 | 1710 | 2.024-39 | 3.000 | 5.156 | EY 6-4-6401 |
| 2 | 1710 | 2.024-39 | 3.000 | 5.156 | EY 6-4-6401-1 |
| 2 | 1760 | 2.024-39 | 3.000 | 5.188 | EY 6.3-4-531 |
| 2 | 1810 | 2.024-39 | 3.000 | 5.190 | EY 6.5-4-3371 |
| 3 | 1610 | 2.250-10 | 3.000 | 5.625 | EY 5-4-6891X |
| 3 | 1710 | 2.250-10 | 3.000 | 6.062 | EY 6-4-4411-1X |
| 3 | 1710 | 2.250-10 | 3.000 | 6.062 | EY 6-4-4411X |
| 3 | 1710 | 2.250-10 | 3.000 | 7.188 | EY 6-4-6891X <i>High angle yoke</i> |
| 3 | 1760 | 2.250-10 | 3.000 | 5.844 | EY 6.3-4-731-1X |
| 3 | 1760 | 2.250-10 | 3.000 | 5.844 | EY 6.3-4-731X |
| 3 | 1810 | 2.250-10 | 3.000 | 5.844 | EY 6.5-4-2551X |

| | | | | | |
|-------------|------|----------|-------|-------|----------------|
| STDD | | | | | |
| 1 | 1710 | 2.250-10 | 3.000 | 6.062 | EY 6-4-1991 |
| 1 | 1710 | 2.250-10 | 3.000 | 6.062 | EY 6-4-1991-1 |
| 1 | 1710 | 2.250-10 | 3.000 | 6.062 | EY 6-4-4411-1X |
| 1 | 1710 | 2.374-46 | 3.250 | 5.688 | EY 6-4-5461-1X |
| 1 | 1710 | 2.374-46 | 3.250 | 5.688 | EY 6-4-5461X |
| 1 | 1760 | 2.374-46 | 3.250 | 5.438 | EY 6.3-4-101 |
| 1 | 1760 | 2.374-46 | 3.250 | 5.438 | EY 6.3-4-101-1 |
| 1 | 1810 | 2.374-46 | 3.250 | 5.438 | EY 6.5-4-2701 |

| Pos | Series | Spline Data | Hub Dia | * to End of Hub | End Fitting Part Number |
|-------------------------|--------|-------------|---------|-----------------|-------------------------|
| STDD (Continued) | | | | | |
| 1 | 1810 | 2.374-46 | 3.250 | 5.438 | EY 6.5-4-2701-1 |
| 1 | 1810 | 2.374-46 | 3.250 | 5.438 | EY 6.5-4-2711-1X |
| 1 | 1810 | 2.374-46 | 3.250 | 5.438 | EY 6.5-4-2711X |
| 2 | 1610 | 1.960-10 | 2.750 | 5.125 | EY 5-4-5281X |
| 2 | 1610 | 1.962-10 | 2.750 | 5.938 | EY 5-4-5321X |
| 2 | 1610 | 2.024-39 | 2.750 | 5.125 | EY 5-4-6951X |
| 2 | 1610 | 2.024-39 | 2.750 | 5.938 | EY 5-4-6961X |

| | | | | | |
|---|------|----------|-------|-------|--|
| | | | | | <i>High angle yoke</i> |
| 2 | 1710 | 1.960-10 | 2.750 | 5.250 | EY 6-4-4361X |
| 2 | 1710 | 1.960-10 | 2.750 | 6.500 | EY 6-4-4481X <i>High angle yoke</i> |
| 2 | 1710 | 2.024-39 | 2.750 | 6.500 | EY 6-4-6871X |
| 2 | 1710 | 2.024-39 | 2.750 | 4.812 | EY 6-4-6941X |
| 2 | 1710 | 2.024-39 | 2.750 | 5.250 | EY 6-4-6951X |
| 2 | 1760 | 2.374-46 | 3.250 | 5.438 | EY 6.3-4-211-1X |
| 2 | 1760 | 2.374-46 | 3.250 | 5.438 | EY 6.3-4-211X |
| 2 | 1810 | 2.024-39 | 2.750 | 5.531 | EY 6.5-4-3571X |
| 3 | 1610 | 1.960-10 | 2.750 | 5.125 | EY 5-4-5281X |
| 3 | 1610 | 1.962-10 | 2.750 | 5.938 | EY 5-4-5321X |
| 3 | 1610 | 2.024-39 | 2.750 | 5.125 | EY 5-4-6951X |
| 3 | 1610 | 2.024-39 | 2.750 | 5.938 | EY 5-4-6961X <i>High angle yoke</i> |
| 3 | 1710 | 1.960-10 | 2.750 | 5.250 | EY 6-4-4361X |
| 3 | 1710 | 1.960-10 | 2.750 | 6.500 | EY 6-4-4481X <i>High angle yoke</i> |
| 3 | 1710 | 2.024-39 | 2.750 | 6.500 | EY 6-4-6871X |
| 3 | 1710 | 2.024-39 | 2.750 | 4.812 | EY 6-4-6941X |
| 3 | 1710 | 2.024-39 | 2.750 | 5.250 | EY 6-4-6951X |
| 3 | 1810 | 2.024-39 | 2.750 | 5.531 | EY 6.5-4-3571X |

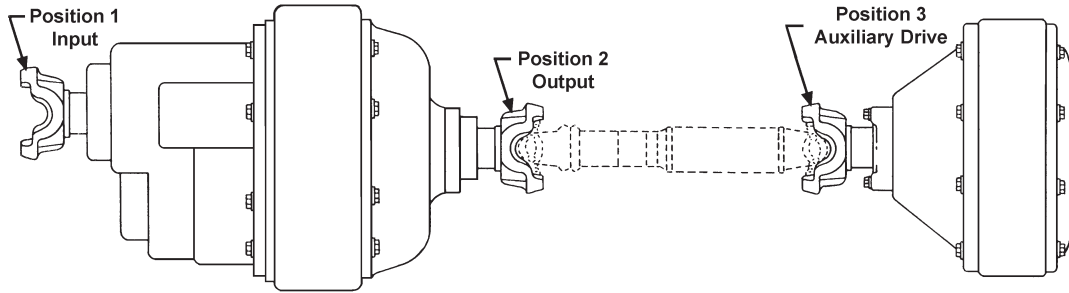
| | | | | | |
|-------------|------|----------|-------|-------|--|
| STHD | | | | | |
| 1 | 1710 | 2.250-10 | 3.000 | 6.062 | EY 6-4-1991 |
| 1 | 1710 | 2.250-10 | 3.000 | 6.062 | EY 6-4-1991-1 |
| 1 | 1710 | 2.250-10 | 3.000 | 6.062 | EY 6-4-4411-1X |
| 1 | 1710 | 2.374-46 | 3.250 | 5.688 | EY 6-4-5461-1X |
| 1 | 1710 | 2.374-46 | 3.250 | 5.688 | EY 6-4-5461X |
| 1 | 1760 | 2.374-46 | 3.250 | 5.438 | EY 6.3-4-101-1 |
| 1 | 1810 | 2.374-46 | 3.250 | 5.438 | EY 6.5-4-2701 |
| 1 | 1810 | 2.374-46 | 3.250 | 5.438 | EY 6.5-4-2701-1 |
| 1 | 1810 | 2.374-46 | 3.250 | 5.438 | EY 6.5-4-2711-1X |
| 1 | 1810 | 2.374-46 | 3.250 | 5.438 | EY 6.5-4-2711X |
| 2 | 1610 | 1.960-10 | 2.750 | 5.125 | EY 5-4-5281X |
| 2 | 1610 | 1.962-10 | 2.750 | 5.938 | EY 5-4-5321X |
| 2 | 1610 | 2.024-39 | 2.750 | 5.125 | EY 5-4-6951X |
| 2 | 1610 | 2.024-39 | 2.750 | 5.938 | EY 5-4-6961X <i>High angle yoke</i> |
| 2 | 1710 | 1.960-10 | 2.750 | 5.250 | EY 6-4-3221-1 |
| 2 | 1710 | 1.960-10 | 2.750 | 5.250 | EY 6-4-4361X |
| 2 | 1710 | 1.960-10 | 2.750 | 6.500 | EY 6-4-4481X <i>High angle yoke</i> |
| 2 | 1710 | 2.024-39 | 2.750 | 6.500 | EY 6-4-5501-1 <i>High angle yoke</i> |
| 2 | 1710 | 2.024-39 | 2.750 | 6.500 | EY 6-4-6871-1X <i>High angle yoke</i> |
| 2 | 1710 | 2.024-39 | 2.750 | 4.812 | EY 6-4-6941X |
| 2 | 1710 | 2.024-39 | 2.750 | 5.250 | EY 6-4-6951X |
| 2 | 1760 | 2.374-46 | 3.250 | 5.438 | EY 6.3-4-211-1X |
| 2 | 1760 | 2.374-46 | 3.250 | 5.438 | EY 6.3-4-211X |

Continued on next page

*C/L to End of Hub for EY (End Yoke); Flange Face to End of Hub for CF (Companion Flange)

■ Hub machined for speedometer gear





| Pos | Series | Spline Data | Hub Dia | * to End of Hub | End Fitting Part Number |
|-----|--------|-------------|---------|-----------------|-------------------------|
|-----|--------|-------------|---------|-----------------|-------------------------|

STHD (Continued)

| | | | | | |
|---|------|----------|-------|-------|--|
| 2 | 1810 | 2.024-39 | 2.750 | 5.531 | EY 6.5-4-3571X |
| 3 | 1610 | 1.960-10 | 2.750 | 5.125 | EY 5-4-5281X |
| 3 | 1610 | 1.962-10 | 2.750 | 5.938 | EY 5-4-5321X |
| 3 | 1610 | 2.024-39 | 2.750 | 5.125 | EY 5-4-6951X |
| 3 | 1610 | 2.024-39 | 2.750 | 5.938 | EY 5-4-6961X <i>High angle yoke</i> |
| 3 | 1710 | 1.960-10 | 2.750 | 5.250 | EY 6-4-3221 |
| 3 | 1710 | 1.960-10 | 2.750 | 5.250 | EY 6-4-3221-1 |
| 3 | 1710 | 1.960-10 | 2.750 | 5.250 | EY 6-4-4361X |
| 3 | 1710 | 1.960-10 | 2.750 | 6.500 | EY 6-4-4481X <i>High angle yoke</i> |
| 3 | 1710 | 2.024-39 | 2.750 | 6.500 | EY 6-4-5501-1 <i>High angle yoke</i> |
| 3 | 1710 | 2.024-39 | 2.750 | 6.500 | EY 6-4-6871-1X <i>High angle yoke</i> |
| 3 | 1710 | 2.024-39 | 2.750 | 6.500 | EY 6-4-6871X |
| 3 | 1710 | 2.024-39 | 2.750 | 4.812 | EY 6-4-6941X |
| 3 | 1710 | 2.024-39 | 2.750 | 5.250 | EY 6-4-6951X |
| 3 | 1810 | 2.024-39 | 2.750 | 5.625 | EY 6.5-4-3571-1X |
| 3 | 1810 | 2.024-39 | 2.750 | 5.531 | EY 6.5-4-3571X |

STHF

| | | | | | |
|---|------|----------|-------|-------|-----------------|
| 1 | 1760 | 2.374-46 | 3.250 | 5.438 | EY 6.3-4-101 |
| 1 | 1760 | 2.374-46 | 3.250 | 5.438 | EY 6.3-4-101-1 |
| 1 | 1810 | 2.374-46 | 3.250 | 5.438 | EY 6.5-4-2701 |
| 1 | 1810 | 2.374-46 | 3.250 | 5.438 | EY 6.5-4-2701-1 |

SU-170

| | | | | | |
|---|------|----------|-------|-------|--|
| 1 | 1710 | 2.374-46 | 3.250 | 5.938 | EY 6-4-5961X |
| 1 | 1760 | 2.374-46 | 3.250 | 5.625 | EY 6.3-4-301-1X |
| 1 | 1760 | 2.374-46 | 3.250 | 5.625 | EY 6.3-4-301X |
| 1 | 1810 | 2.374-46 | 3.250 | 5.688 | EY 6.5-4-3221-1X |
| 1 | 1810 | 2.374-46 | 3.250 | 5.688 | EY 6.5-4-3221X |
| 2 | 1610 | 2.024-39 | 3.000 | 5.531 | EY 5-4-6271 |
| 2 | 1710 | 2.024-39 | 3.000 | 5.156 | EY 6-4-6401 |
| 2 | 1710 | 2.024-39 | 3.000 | 5.156 | EY 6-4-6401-1 |
| 2 | 1760 | 2.024-39 | 3.000 | 5.188 | EY 6.3-4-531 |
| 2 | 1810 | 2.024-39 | 3.000 | 5.190 | EY 6.5-4-3371 |
| 3 | 1610 | 2.250-10 | 3.000 | 5.625 | EY 5-4-6891X |
| 3 | 1710 | 2.250-10 | 3.000 | 6.062 | EY 6-4-4411-1X |
| 3 | 1710 | 2.250-10 | 3.000 | 6.062 | EY 6-4-4411X |
| 3 | 1710 | 2.250-10 | 3.000 | 7.188 | EY 6-4-6891X <i>High angle yoke</i> |
| 3 | 1760 | 2.250-10 | 3.000 | 5.844 | EY 6.3-4-731-1X |
| 3 | 1760 | 2.250-10 | 3.000 | 5.844 | EY 6.3-4-731X |
| 3 | 1810 | 2.250-10 | 3.000 | 5.844 | EY 6.5-4-2551X |

SU-270, SU-280

| | | | | | |
|---|------|----------|-------|-------|-----------------|
| 1 | 1760 | 2.374-46 | 3.250 | 5.625 | EY 6.3-4-301-1X |
| 1 | 1760 | 2.374-46 | 3.250 | 5.625 | EY 6.3-4-301X |

| Pos | Series | Spline Data | Hub Dia | * to End of Hub | End Fitting Part Number |
|-----|--------|-------------|---------|-----------------|-------------------------|
|-----|--------|-------------|---------|-----------------|-------------------------|

SU-270, SU-280 (Continued)

| | | | | | |
|---|------|----------|-------|-------|--|
| 1 | 1810 | 2.374-46 | 3.250 | 5.688 | EY 6.5-4-3221-1X |
| 1 | 1810 | 2.374-46 | 3.250 | 5.688 | EY 6.5-4-3221X |
| 2 | 1610 | 2.024-39 | 3.000 | 5.531 | EY 5-4-6271 |
| 2 | 1710 | 2.024-39 | 3.000 | 5.156 | EY 6-4-6401 |
| 2 | 1710 | 2.024-39 | 3.000 | 5.156 | EY 6-4-6401-1 |
| 2 | 1760 | 2.024-39 | 3.000 | 5.188 | EY 6.3-4-531 |
| 2 | 1810 | 2.024-39 | 3.000 | 5.190 | EY 6.5-4-3371 |
| 3 | 1710 | 2.024-39 | 3.000 | 6.250 | EY 6-4-6381X <i>High angle yoke</i> |
| 3 | 1710 | 2.024-39 | 3.000 | 6.250 | EY 6-4-6391X <i>High angle yoke</i> |
| 3 | 1810 | 2.024-39 | 3.000 | 5.190 | EY 6.5-4-3381X |

SUDD, SUHD

| | | | | | |
|---|------|----------|-------|-------|--|
| 1 | 1710 | 2.250-10 | 3.000 | 6.062 | EY 6-4-1991 |
| 1 | 1710 | 2.250-10 | 3.000 | 6.062 | EY 6-4-1991-1 |
| 1 | 1710 | 2.250-10 | 3.000 | 6.062 | EY 6-4-4411-1X |
| 1 | 1710 | 2.374-46 | 3.250 | 5.688 | EY 6-4-5461-1X |
| 1 | 1710 | 2.374-46 | 3.250 | 5.688 | EY 6-4-5461X |
| 1 | 1760 | 2.374-46 | 3.250 | 5.438 | EY 6.3-4-101 |
| 1 | 1760 | 2.374-46 | 3.250 | 5.438 | EY 6.3-4-101-1 |
| 1 | 1810 | 2.374-46 | 3.250 | 5.438 | EY 6.5-4-2701 |
| 1 | 1810 | 2.374-46 | 3.250 | 5.438 | EY 6.5-4-2701-1 |
| 1 | 1810 | 2.374-46 | 3.250 | 5.438 | EY 6.5-4-2711-1X |
| 1 | 1810 | 2.374-46 | 3.250 | 5.438 | EY 6.5-4-2711X |
| 2 | 1610 | 1.960-10 | 2.750 | 5.125 | EY 5-4-5281X |
| 2 | 1610 | 1.962-10 | 2.750 | 5.938 | EY 5-4-5321X |
| 2 | 1610 | 2.024-39 | 2.750 | 5.125 | EY 5-4-6951X |
| 2 | 1610 | 2.024-39 | 2.750 | 5.938 | EY 5-4-6961X <i>High angle yoke</i> |
| 2 | 1710 | 1.960-10 | 2.750 | 5.250 | EY 6-4-3221 |
| 2 | 1710 | 1.960-10 | 2.750 | 5.250 | EY 6-4-3221-1 |
| 2 | 1710 | 1.960-10 | 2.750 | 5.250 | EY 6-4-4361X |
| 2 | 1710 | 1.960-10 | 2.750 | 6.500 | EY 6-4-4481X <i>High angle yoke</i> |
| 2 | 1710 | 2.024-39 | 2.750 | 6.500 | EY 6-4-5501-1 <i>High angle yoke</i> |
| 2 | 1710 | 2.024-39 | 2.750 | 6.500 | EY 6-4-6871-1X <i>High angle yoke</i> |
| 2 | 1710 | 2.024-39 | 2.750 | 6.500 | EY 6-4-6871X |
| 2 | 1710 | 2.024-39 | 2.750 | 4.812 | EY 6-4-6941X |
| 2 | 1710 | 2.024-39 | 2.750 | 5.250 | EY 6-4-6951X |
| 2 | 1760 | 2.374-46 | 3.250 | 5.438 | EY 6.3-4-211-1X |
| 2 | 1760 | 2.374-46 | 3.250 | 5.438 | EY 6.3-4-211X |
| 2 | 1810 | 2.024-39 | 2.750 | 5.531 | EY 6.5-4-3571X |
| 3 | 1610 | 1.960-10 | 2.750 | 5.125 | EY 5-4-5281X |
| 3 | 1610 | 1.962-10 | 2.750 | 5.938 | EY 5-4-5321X |
| 3 | 1610 | 2.024-39 | 2.750 | 5.125 | EY 5-4-6951X |
| 3 | 1610 | 2.024-39 | 2.750 | 5.938 | EY 5-4-6961X <i>High angle yoke</i> |

*C/L to End of Hub for EY (End Yoke); Flange Face to End of Hub for CF (Companion Flange)

■ Hub machined for speedometer gear



| Pos | Series | Spline Data | Hub Dia | * to End of Hub | End Fitting Part Number |
|-------------------------------|--------|-------------|---------|-----------------|--|
| SUDD, SUHD (Continued) | | | | | |
| 3 | 1710 | 1.960-10 | 2.750 | 5.250 | EY 6-4-3221 |
| 3 | 1710 | 1.960-10 | 2.750 | 5.250 | EY 6-4-3221-1 |
| 3 | 1710 | 1.960-10 | 2.750 | 5.250 | EY 6-4-4361X |
| 3 | 1710 | 1.960-10 | 2.750 | 6.500 | EY 6-4-4481X <i>High angle yoke</i> |
| 3 | 1710 | 2.024-39 | 2.750 | 6.500 | EY 6-4-5501-1 <i>High angle yoke</i> |
| 3 | 1710 | 2.024-39 | 2.750 | 6.500 | EY 6-4-6871-1X <i>High angle yoke</i> |
| 3 | 1710 | 2.024-39 | 2.750 | 6.500 | EY 6-4-6871X |
| 3 | 1710 | 2.024-39 | 2.750 | 4.812 | EY 6-4-6941X |
| 3 | 1710 | 2.024-39 | 2.750 | 5.250 | EY 6-4-6951X |
| 3 | 1810 | 2.024-39 | 2.750 | 5.625 | EY 6.5-4-3571-1X |
| 3 | 1810 | 2.024-39 | 2.750 | 5.531 | EY 6.5-4-3571X |

| Pos | Series | Spline Data | Hub Dia | * to End of Hub | End Fitting Part Number |
|-------------|--------|-------------|---------|-----------------|-------------------------|
| SUHF | | | | | |
| 1 | 1760 | 2.374-46 | 3.250 | 5.438 | EY 6.3-4-101 |
| 1 | 1760 | 2.374-46 | 3.250 | 5.438 | EY 6.3-4-101-1 |
| 1 | 1810 | 2.374-46 | 3.250 | 5.438 | EY 6.5-4-2701 |
| 1 | 1810 | 2.374-46 | 3.250 | 5.438 | EY 6.5-4-2701-1 |

| Pos | Series | Spline Data | Hub Dia | * to End of Hub | End Fitting Part Number |
|---------------|--------|-------------|---------|-----------------|--|
| SW-170 | | | | | |
| 1 | 1710 | 2.374-46 | 3.250 | 5.938 | EY 6-4-5961X |
| 1 | 1760 | 2.374-46 | 3.250 | 5.625 | EY 6.3-4-301-1X |
| 1 | 1760 | 2.374-46 | 3.250 | 5.625 | EY 6.3-4-301X |
| 1 | 1810 | 2.374-46 | 3.250 | 5.688 | EY 6.5-4-3221-1X |
| 1 | 1810 | 2.374-46 | 3.250 | 5.688 | EY 6.5-4-3221X |
| 2 | 1610 | 2.024-39 | 3.000 | 5.531 | EY 5-4-6271 |
| 2 | 1710 | 2.024-39 | 3.000 | 5.156 | EY 6-4-6401 |
| 2 | 1710 | 2.024-39 | 3.000 | 5.156 | EY 6-4-6401-1 |
| 2 | 1760 | 2.024-39 | 3.000 | 5.188 | EY 6.3-4-531 |
| 2 | 1810 | 2.024-39 | 3.000 | 5.190 | EY 6.5-4-3371 |
| 3 | 1610 | 2.250-10 | 3.000 | 5.625 | EY 5-4-6891X |
| 3 | 1710 | 2.250-10 | 3.000 | 6.062 | EY 6-4-4411-1X |
| 3 | 1710 | 2.250-10 | 3.000 | 6.062 | EY 6-4-4411X |
| 3 | 1710 | 2.250-10 | 3.000 | 7.188 | EY 6-4-6891X <i>High angle yoke</i> |
| 3 | 1760 | 2.250-10 | 3.000 | 5.844 | EY 6.3-4-731-1X |
| 3 | 1760 | 2.250-10 | 3.000 | 5.844 | EY 6.3-4-731X |
| 3 | 1810 | 2.250-10 | 3.000 | 5.844 | EY 6.5-4-2551X |

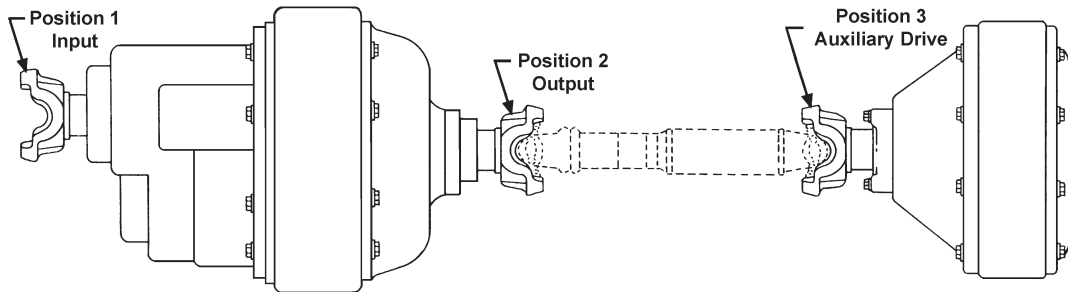
| Pos | Series | Spline Data | Hub Dia | * to End of Hub | End Fitting Part Number |
|-----------------------|--------|-------------|---------|-----------------|--|
| SW-270, SW-280 | | | | | |
| 1 | 1760 | 2.374-46 | 3.250 | 5.625 | EY 6.3-4-301-1X |
| 1 | 1760 | 2.374-46 | 3.250 | 5.625 | EY 6.3-4-301X |
| 1 | 1810 | 2.374-46 | 3.250 | 5.688 | EY 6.5-4-3221-1X |
| 1 | 1810 | 2.374-46 | 3.250 | 5.688 | EY 6.5-4-3221X |
| 2 | 1610 | 2.024-39 | 3.000 | 5.531 | EY 5-4-6271 |
| 2 | 1710 | 2.024-39 | 3.000 | 5.156 | EY 6-4-6401 |
| 2 | 1710 | 2.024-39 | 3.000 | 5.156 | EY 6-4-6401-1 |
| 2 | 1760 | 2.024-39 | 3.000 | 5.188 | EY 6.3-4-531 |
| 2 | 1810 | 2.024-39 | 3.000 | 5.190 | EY 6.5-4-3371 |
| 3 | 1710 | 2.024-39 | 3.000 | 6.250 | EY 6-4-6381X <i>High angle yoke</i> |
| 3 | 1710 | 2.024-39 | 3.000 | 6.250 | EY 6-4-6391X <i>High angle yoke</i> |
| 3 | 1810 | 2.024-39 | 3.000 | 5.190 | EY 6.5-4-3381X |

*C/L to End of Hub for EY (End Yoke); Flange Face to End of Hub for CF (Companion Flange)

■ Hub machined for speedometer gear



Important: See Safety Information in General Information Section (J300P-GI)



| Pos | Series | Spline Data | Hub Dia | * to End of Hub | End Fitting Part Number |
|-----|--------|-------------|---------|-----------------|-------------------------|
|-----|--------|-------------|---------|-----------------|-------------------------|

| DSH40 | | | | | |
|--------------|--------|----------|-------|-------|---|
| 1 | SPL170 | 2.274-44 | 3.000 | 5.270 | EY 170-4-201-1X |
| 1 | SPL250 | 2.274-44 | 3.000 | 5.490 | EY 250-4-81-1X |
| 1 | 1610 | 2.274-44 | 3.000 | 5.000 | EY 5-4-9261-1X |
| 1 | 1710 | 2.274-44 | 3.000 | 5.190 | EY 6-4-8451 |
| 1 | 1710 | 2.274-44 | 3.000 | 5.190 | EY 6-4-8981-1X |
| 1 | 1760 | 2.274-44 | 3.000 | 5.250 | EY 6.3-4-5221-1X |
| 1 | 1760 | 2.274-44 | 3.000 | 5.250 | EY 6.3-4-5221X |
| 1 | 1810 | 2.274-44 | 3.000 | 5.250 | EY 6.5-4-4571-1X |
| 1 | 1810 | 2.274-44 | 3.000 | 5.250 | EY 6.5-4-4571X |
| 2 | SPL170 | 2.024-39 | 2.625 | 5.266 | EY 170-4-221-1X |
| 2 | SPL170 | 2.024-39 | 2.625 | 6.500 | EY 170-4-241-1X <i>High angle yoke</i> |
| 2 | 1610 | 2.024-39 | 2.625 | 6.000 | EY 5-4-9271X <i>High angle yoke</i> |
| 2 | 1710 | 2.024-39 | 2.625 | 6.125 | EY 6-4-9001-1X |
| 2 | 1710 | 2.024-39 | 2.625 | 6.125 | EY 6-4-9001X |
| 2 | 1710 | 2.024-39 | 2.625 | 5.250 | EY 6-4-9041-1X |
| 2 | 1710 | 2.024-39 | 2.625 | 5.250 | EY 6-4-9041X |
| 3 | SPL170 | 2.024-39 | 3.000 | 5.156 | EY 170-4-261-1X |
| 3 | SPL170 | 2.024-39 | 3.000 | 6.240 | EY 170-4-281-1X <i>High angle yoke</i> |
| 3 | SPL90 | 2.024-39 | 3.000 | 4.750 | EY 90-4-251-1X |
| 3 | 1610 | 2.024-39 | 3.000 | 4.875 | EY 5-4-9231-1X |
| 3 | 1610 | 2.024-39 | 3.000 | 6.000 | EY 5-4-9241-1X <i>High angle yoke</i> |
| 3 | 1610 | 2.024-39 | 3.000 | 6.000 | EY 5-4-9241X <i>High angle yoke</i> |
| 3 | 1710 | 2.024-39 | 3.000 | 6.125 | EY 6-4-8991-1X <i>High angle yoke</i> |
| 3 | 1710 | 2.024-39 | 3.000 | 6.125 | EY 6-4-8991X <i>High angle yoke</i> |
| 3 | 1710 | 2.024-39 | 3.000 | 5.250 | EY 6-4-9031-1X |
| 3 | 1710 | 2.024-39 | 3.000 | 5.250 | EY 6-4-9031X |

| DSH44 | | | | | |
|--------------|--------|----------|-------|-------|---|
| 1 | SPL170 | 2.274-44 | 3.000 | 5.270 | EY 170-4-201-1X |
| 1 | SPL250 | 2.274-44 | 3.000 | 5.490 | EY 250-4-81-1X |
| 1 | 1610 | 2.274-44 | 3.000 | 5.000 | EY 5-4-9261-1X |
| 1 | 1710 | 2.274-44 | 3.000 | 5.190 | EY 6-4-8451 |
| 1 | 1710 | 2.274-44 | 3.000 | 5.190 | EY 6-4-8981-1X |
| 1 | 1760 | 2.274-44 | 3.000 | 5.250 | EY 6.3-4-5221-1X |
| 1 | 1760 | 2.274-44 | 3.000 | 5.250 | EY 6.3-4-5221X |
| 1 | 1810 | 2.274-44 | 3.000 | 5.250 | EY 6.5-4-4571-1X |
| 1 | 1810 | 2.274-44 | 3.000 | 5.250 | EY 6.5-4-4571X |
| 2 | SPL170 | 2.024-39 | 2.625 | 5.266 | EY 170-4-221-1X |
| 2 | SPL170 | 2.024-39 | 2.625 | 6.500 | EY 170-4-241-1X <i>High angle yoke</i> |
| 2 | 1610 | 2.024-39 | 2.625 | 6.000 | EY 5-4-9271X <i>High angle yoke</i> |
| 2 | 1710 | 2.024-39 | 2.625 | 6.125 | EY 6-4-9001-1X |

| Pos | Series | Spline Data | Hub Dia | * to End of Hub | End Fitting Part Number |
|-----|--------|-------------|---------|-----------------|-------------------------|
|-----|--------|-------------|---------|-----------------|-------------------------|

| DSH44 (Continued) | | | | | |
|--------------------------|--------|----------|-------|-------|---|
| 2 | 1710 | 2.024-39 | 2.625 | 6.125 | EY 6-4-9001X |
| 2 | 1710 | 2.024-39 | 2.625 | 5.250 | EY 6-4-9041-1X |
| 2 | 1710 | 2.024-39 | 2.625 | 5.250 | EY 6-4-9041X |
| 3 | SPL170 | 2.024-39 | 3.000 | 5.156 | EY 170-4-261-1X |
| 3 | SPL170 | 2.024-39 | 3.000 | 6.240 | EY 170-4-281-1X <i>High angle yoke</i> |
| 3 | 1610 | 2.024-39 | 3.000 | 6.000 | EY 5-4-9241X <i>High angle yoke</i> |
| 3 | 1710 | 2.024-39 | 3.000 | 6.125 | EY 6-4-8991-1X <i>High angle yoke</i> |
| 3 | 1710 | 2.024-39 | 3.000 | 6.125 | EY 6-4-8991X <i>High angle yoke</i> |
| 3 | 1710 | 2.024-39 | 3.000 | 5.250 | EY 6-4-9031-1X |
| 3 | 1710 | 2.024-39 | 3.000 | 5.250 | EY 6-4-9031X |

| DSP40 | | | | | |
|--------------|--------|----------|-------|-------|---|
| 1 | SPL170 | 2.274-44 | 3.000 | 5.270 | EY 170-4-201-1X |
| 1 | SPL250 | 2.274-44 | 3.000 | 5.490 | EY 250-4-81-1X |
| 1 | 1610 | 2.274-44 | 3.000 | 5.000 | EY 5-4-9261-1X |
| 1 | 1710 | 2.274-44 | 3.000 | 5.190 | EY 6-4-8981-1X |
| 1 | 1760 | 2.274-44 | 3.000 | 5.250 | EY 6.3-4-5221-1X |
| 1 | 1760 | 2.274-44 | 3.000 | 5.250 | EY 6.3-4-5221X |
| 1 | 1810 | 2.274-44 | 3.000 | 5.250 | EY 6.5-4-4571-1X |
| 1 | 1810 | 2.274-44 | 3.000 | 5.250 | EY 6.5-4-4571X |
| 2 | SPL170 | 2.024-39 | 2.625 | 5.266 | EY 170-4-221-1X |
| 2 | SPL170 | 2.024-39 | 2.625 | 6.500 | EY 170-4-241-1X <i>High angle yoke</i> |
| 2 | 1610 | 2.024-39 | 2.625 | 6.000 | EY 5-4-9271X <i>High angle yoke</i> |
| 2 | 1710 | 2.024-39 | 2.625 | 6.125 | EY 6-4-9001-1X |
| 2 | 1710 | 2.024-39 | 2.625 | 6.125 | EY 6-4-9001X |
| 2 | 1710 | 2.024-39 | 2.625 | 5.250 | EY 6-4-9041-1X |
| 2 | 1710 | 2.024-39 | 2.625 | 5.250 | EY 6-4-9041X |
| 3 | SPL170 | 2.024-39 | 3.000 | 5.156 | EY 170-4-261-1X |
| 3 | SPL170 | 2.024-39 | 3.000 | 6.240 | EY 170-4-281-1X <i>High angle yoke</i> |
| 3 | SPL90 | 2.024-39 | 3.000 | 4.750 | EY 90-4-251-1X |
| 3 | 1480 | 2.024-39 | 3.000 | 4.344 | EY 3-4-13081-1X |
| 3 | 1550 | 2.024-39 | 3.000 | 4.281 | EY 4-4-7571-1X |
| 3 | 1610 | 2.024-39 | 3.000 | 4.875 | EY 5-4-9231-1X |
| 3 | 1610 | 2.024-39 | 3.000 | 6.000 | EY 5-4-9241-1X <i>High angle yoke</i> |
| 3 | 1710 | 2.024-39 | 3.000 | 6.125 | EY 6-4-8991-1X <i>High angle yoke</i> |
| 3 | 1710 | 2.024-39 | 3.000 | 6.125 | EY 6-4-8991X <i>High angle yoke</i> |
| 3 | 1710 | 2.024-39 | 3.000 | 5.250 | EY 6-4-9031-1X |
| 3 | 1710 | 2.024-39 | 3.000 | 5.250 | EY 6-4-9031X |

*C/L to End of Hub for EY (End Yoke); Flange Face to End of Hub for CF (Companion Flange)

■ Hub machined for speedometer gear



| Pos | Series | Spline Data | Hub Dia | * to End of Hub | End Fitting Part Number |
|--------------|--------|-------------|---------|-----------------|---|
| DSP41 | | | | | |
| 1 | SPL170 | 2.274-44 | 3.000 | 5.270 | EY 170-4-201-1X |
| 1 | SPL250 | 2.274-44 | 3.000 | 5.490 | EY 250-4-81-1X |
| 1 | 1610 | 2.274-44 | 3.000 | 5.000 | EY 5-4-9261-1X |
| 1 | 1710 | 2.274-44 | 3.000 | 5.190 | EY 6-4-8981-1X |
| 1 | 1760 | 2.274-44 | 3.000 | 5.250 | EY 6.3-4-5221-1X |
| 1 | 1760 | 2.274-44 | 3.000 | 5.250 | EY 6.3-4-5221X |
| 1 | 1810 | 2.274-44 | 3.000 | 5.250 | EY 6.5-4-4571-1X |
| 1 | 1810 | 2.274-44 | 3.000 | 5.250 | EY 6.5-4-4571X |
| 2 | SPL170 | 2.024-39 | 2.625 | 5.266 | EY 170-4-221-1X |
| 2 | SPL170 | 2.024-39 | 2.625 | 6.500 | EY 170-4-241-1X <i>High angle yoke</i> |
| 2 | 1610 | 2.024-39 | 2.625 | 6.000 | EY 5-4-9271X <i>High angle yoke</i> |
| 2 | 1710 | 2.024-39 | 2.625 | 6.125 | EY 6-4-9001-1X |
| 2 | 1710 | 2.024-39 | 2.625 | 6.125 | EY 6-4-9001X |
| 2 | 1710 | 2.024-39 | 2.625 | 5.250 | EY 6-4-9041-1X |
| 2 | 1710 | 2.024-39 | 2.625 | 5.250 | EY 6-4-9041X |
| 3 | SPL170 | 2.024-39 | 3.000 | 6.240 | EY 170-4-281-1X <i>High angle yoke</i> |
| 3 | 1480 | 2.024-39 | 3.000 | 4.344 | EY 3-4-13081-1X |
| 3 | 1550 | 2.024-39 | 3.000 | 4.281 | EY 4-4-7571-1X |
| 3 | 1610 | 2.024-39 | 3.000 | 4.875 | EY 5-4-9231-1X |
| 3 | 1610 | 2.024-39 | 3.000 | 6.000 | EY 5-4-9241-1X <i>High angle yoke</i> |
| 3 | 1710 | 2.024-39 | 3.000 | 6.125 | EY 6-4-8991-1X <i>High angle yoke</i> |
| 3 | 1710 | 2.024-39 | 3.000 | 6.125 | EY 6-4-8991X <i>High angle yoke</i> |
| 3 | 1710 | 2.024-39 | 3.000 | 5.250 | EY 6-4-9031-1X |
| 3 | 1710 | 2.024-39 | 3.000 | 5.250 | EY 6-4-9031X |

| | | | | | |
|--------------|--------|----------|-------|-------|--|
| DST40 | | | | | |
| 1 | SPL140 | 2.274-44 | 3.000 | 5.160 | EY 140-4-1271-1X |
| 1 | SPL140 | 2.274-44 | 3.000 | 5.160 | EY 140-4-331-1X |
| 1 | SPL170 | 2.274-44 | 3.000 | 5.270 | EY 170-4-1671-1X <i>Counterbore at hub end.</i> |
| 1 | SPL170 | 2.274-44 | 3.000 | 5.270 | EY 170-4-201-1X |
| 1 | SPL250 | 2.274-44 | 3.000 | 5.490 | EY 250-4-81-1X |
| 1 | 1610 | 2.274-44 | 3.000 | 5.000 | EY 5-4-9261-1X |
| 1 | 1710 | 2.274-44 | 3.000 | 5.190 | EY 6-4-8981-1X |
| 1 | 1760 | 2.274-44 | 3.000 | 5.250 | EY 6.3-4-5221-1X |
| 1 | 1760 | 2.274-44 | 3.000 | 5.250 | EY 6.3-4-5221X |
| 1 | 1810 | 2.274-44 | 3.000 | 5.250 | EY 6.5-4-4571-1X |
| 1 | 1810 | 2.274-44 | 3.000 | 5.250 | EY 6.5-4-4571X |
| 2 | SPL170 | 2.024-39 | 2.625 | 5.750 | EY 170-4-08578-1X |
| 2 | SPL170 | 2.024-39 | 2.625 | 5.266 | EY 170-4-221-1X |
| 2 | SPL170 | 2.024-39 | 2.625 | 6.500 | EY 170-4-241-1X <i>High angle yoke</i> |
| 2 | 1610 | 2.024-39 | 2.625 | 6.000 | EY 5-4-9271X <i>High angle yoke</i> |
| 2 | 1710 | 2.024-39 | 2.625 | 6.125 | EY 6-4-9001-1X |
| 2 | 1710 | 2.024-39 | 2.625 | 6.125 | EY 6-4-9001X |
| 2 | 1710 | 2.024-39 | 2.625 | 5.250 | EY 6-4-9041-1X |
| 2 | 1710 | 2.024-39 | 2.625 | 5.250 | EY 6-4-9041X |
| 3 | SPL140 | 2.024-39 | 3.000 | 4.940 | EY 140-4-1161-1X |
| 3 | SPL140 | 2.274-44 | 3.000 | 5.160 | EY 140-4-331-1X |
| 3 | SPL140 | 2.024-39 | 3.000 | 4.940 | EY 140-4-371-1X |
| 3 | SPL170 | 2.024-39 | 3.000 | 5.540 | EY 170-4-08577-1X |
| 3 | SPL170 | 2.024-39 | 3.000 | 6.240 | EY 170-4-1631-1X |
| 3 | SPL170 | 2.274-44 | 3.000 | 5.270 | EY 170-4-201-1X |
| 3 | SPL170 | 2.024-39 | 3.000 | 5.156 | EY 170-4-261-1X |
| 3 | SPL170 | 2.024-39 | 3.000 | 6.240 | EY 170-4-281-1X <i>High angle yoke</i> |

| Pos | Series | Spline Data | Hub Dia | * to End of Hub | End Fitting Part Number |
|--------------------------|--------|-------------|---------|-----------------|--|
| DST40 (Continued) | | | | | |
| 3 | 1610 | 2.024-39 | 3.000 | 6.000 | EY 5-4-8261 <i>High angle yoke</i> |
| 3 | 1610 | 2.024-39 | 3.000 | 6.000 | EY 5-4-8261-1 <i>High angle yoke</i> |
| 3 | 1610 | 2.024-39 | 3.000 | 6.000 | EY 5-4-9241-1X <i>High angle yoke</i> |
| 3 | 1710 | 2.024-39 | 3.000 | 6.125 | EY 6-4-8991-1X <i>High angle yoke</i> |
| 3 | 1710 | 2.024-39 | 3.000 | 6.125 | EY 6-4-8991X <i>High angle yoke</i> |
| 3 | 1710 | 2.024-39 | 3.000 | 5.250 | EY 6-4-9031-1X |
| 3 | 1710 | 2.024-39 | 3.000 | 5.250 | EY 6-4-9031X |
| 3 | 1760 | 2.274-44 | 3.000 | 5.250 | EY 6.3-4-5221-1X |
| 3 | 1760 | 2.274-44 | 3.000 | 5.250 | EY 6.3-4-5221X |

| | | | | | |
|--------------|--------|----------|-------|-------|---|
| DST41 | | | | | |
| 1 | SPL170 | 2.274-44 | 3.000 | 5.270 | EY 170-4-201-1X |
| 1 | SPL250 | 2.274-44 | 3.000 | 5.490 | EY 250-4-81-1X |
| 1 | 1610 | 2.274-44 | 3.000 | 5.000 | EY 5-4-9261-1X |
| 1 | 1710 | 2.274-44 | 3.000 | 5.190 | EY 6-4-8981-1X |
| 1 | 1760 | 2.274-44 | 3.000 | 5.250 | EY 6.3-4-5221-1X |
| 1 | 1760 | 2.274-44 | 3.000 | 5.250 | EY 6.3-4-5221X |
| 1 | 1810 | 2.274-44 | 3.000 | 5.250 | EY 6.5-4-4571-1X |
| 1 | 1810 | 2.274-44 | 3.000 | 5.250 | EY 6.5-4-4571X |
| 2 | SPL170 | 2.024-39 | 2.625 | 5.266 | EY 170-4-221-1X |
| 2 | SPL170 | 2.024-39 | 2.625 | 6.500 | EY 170-4-241-1X <i>High angle yoke</i> |
| 2 | 1610 | 2.024-39 | 2.625 | 6.000 | EY 5-4-9271X <i>High angle yoke</i> |
| 2 | 1710 | 2.024-39 | 2.625 | 6.125 | EY 6-4-9001-1X |
| 2 | 1710 | 2.024-39 | 2.625 | 6.125 | EY 6-4-9001X |
| 2 | 1710 | 2.024-39 | 2.625 | 5.250 | EY 6-4-9041-1X |
| 2 | 1710 | 2.024-39 | 2.625 | 5.250 | EY 6-4-9041X |
| 3 | SPL170 | 2.024-39 | 3.000 | 5.156 | EY 170-4-261-1X |
| 3 | SPL170 | 2.024-39 | 3.000 | 6.240 | EY 170-4-281-1X <i>High angle yoke</i> |
| 3 | 1610 | 2.024-39 | 3.000 | 6.000 | EY 5-4-9241-1X <i>High angle yoke</i> |
| 3 | 1710 | 2.024-39 | 3.000 | 6.125 | EY 6-4-8991-1X <i>High angle yoke</i> |
| 3 | 1710 | 2.024-39 | 3.000 | 6.125 | EY 6-4-8991X <i>High angle yoke</i> |
| 3 | 1710 | 2.024-39 | 3.000 | 5.250 | EY 6-4-9031-1X |
| 3 | 1710 | 2.024-39 | 3.000 | 5.250 | EY 6-4-9031X |

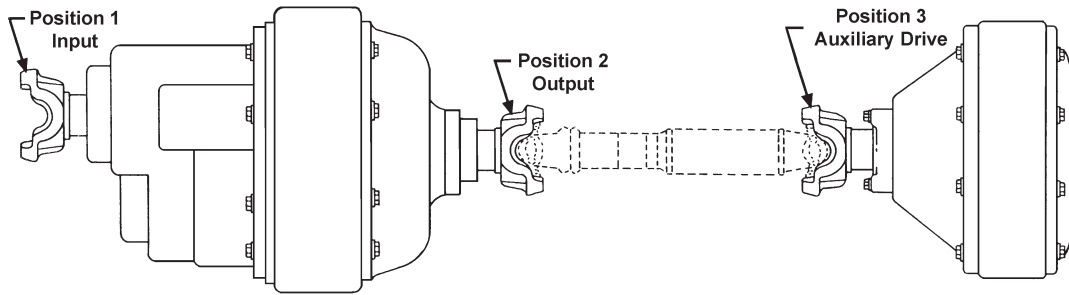
| | | | | | |
|-------------|--------|----------|-------|-------|--|
| D145 | | | | | |
| 1 | SPL140 | 2.274-44 | 3.000 | 5.160 | EY 140-4-1271-1X |
| 1 | SPL140 | 2.274-44 | 3.000 | 5.160 | EY 140-4-331-1X |
| 1 | SPL170 | 2.274-44 | 3.000 | 5.270 | EY 170-4-1671-1X <i>Counterbore at hub end.</i> |
| 1 | SPL170 | 2.274-44 | 3.000 | 5.270 | EY 170-4-201-1X |
| 1 | SPL250 | 2.274-44 | 3.000 | 5.490 | EY 250-4-81-1X |
| 1 | 1610 | 2.274-44 | 3.000 | 5.000 | EY 5-4-9261-1X |
| 1 | 1710 | 2.274-44 | 3.000 | 5.190 | EY 6-4-8451 |
| 1 | 1710 | 2.274-44 | 3.000 | 5.190 | EY 6-4-8451-1 |
| 1 | 1710 | 2.274-44 | 3.000 | 5.190 | EY 6-4-8981-1X |
| 1 | 1710 | 2.274-44 | 3.000 | 5.190 | EY 6-4-8981X |
| 1 | 1760 | 2.274-44 | 3.000 | 5.250 | EY 6.3-4-5221-1X |
| 1 | 1760 | 2.274-44 | 3.000 | 5.250 | EY 6.3-4-5221X |
| 1 | 1810 | 2.274-44 | 3.000 | 5.250 | EY 6.5-4-4571-1X |
| 1 | 1810 | 2.274-44 | 3.000 | 5.250 | EY 6.5-4-4571X |
| 2 | SPL170 | 2.024-39 | 2.625 | 5.750 | EY 170-4-08578-1X |
| 2 | SPL170 | 2.024-39 | 2.625 | 6.500 | EY 170-4-1651-1X |

Continued on next page

*C/L to End of Hub for EY (End Yoke); Flange Face to End of Hub for CF (Companion Flange)

■ Hub machined for speedometer gear





| Pos | Series | Spline Data | Hub Dia | * to End of Hub | End Fitting Part Number |
|-----|--------|-------------|---------|-----------------|-------------------------|
|-----|--------|-------------|---------|-----------------|-------------------------|

D145 (Continued)

| | | | | | |
|---|--------|----------|-------|-------|--|
| 2 | SPL170 | 2.024-39 | 2.625 | 5.266 | EY 170-4-221-1X |
| 2 | SPL170 | 2.024-39 | 2.625 | 6.500 | EY 170-4-241-1X <i>High angle yoke</i> |
| 2 | 1610 | 2.024-39 | 2.625 | 6.000 | EY 5-4-9271X <i>High angle yoke</i> |
| 2 | 1710 | 2.024-39 | 2.625 | 6.125 | EY 6-4-8431 |
| 2 | 1710 | 2.024-39 | 2.625 | 6.125 | EY 6-4-8431-1 |
| 2 | 1710 | 2.024-39 | 2.625 | 5.250 | EY 6-4-8441 |
| 2 | 1710 | 2.024-39 | 2.625 | 5.250 | EY 6-4-8441-1 |
| 2 | 1710 | 2.024-39 | 2.625 | 6.125 | EY 6-4-9001-1X |
| 2 | 1710 | 2.024-39 | 2.625 | 6.125 | EY 6-4-9001X |
| 2 | 1710 | 2.024-39 | 2.625 | 5.250 | EY 6-4-9041-1X |
| 2 | 1710 | 2.024-39 | 2.625 | 5.250 | EY 6-4-9041X |
| 3 | SPL170 | 2.024-39 | 3.000 | 5.156 | EY 170-4-1991-1X <i>High angle yoke</i> |
| 3 | SPL170 | 2.024-39 | 3.000 | 6.240 | EY 170-4-2001-1X <i>High angle yoke</i> |
| 3 | 1710 | 2.024-39 | 3.000 | 5.250 | EY 6-4-10321-1X |
| 3 | 1710 | 2.024-39 | 3.000 | 6.125 | EY 6-4-10401-1X <i>High angle yoke</i> |

D155

| | | | | | |
|---|--------|----------|-------|-------|--|
| 1 | SPL250 | 2.544-49 | 3.861 | 6.200 | EY 250-4-1291-1X |
| 1 | SPL350 | 2.544-49 | 3.896 | 6.200 | EY 350-4-201-1X |
| 2 | SPL170 | 2.143-41 | 2.938 | 5.799 | EY 170-4-10002594-1X |
| 2 | SPL170 | 2.143-41 | 2.938 | 7.190 | EY 170-4-10002595-1X |
| 2 | SPL250 | 2.143-41 | 2.938 | 6.251 | EY 250-4-10002596-1X |
| 2 | SPL250 | 2.143-41 | 2.938 | 7.110 | EY 250-4-10002597-1X |
| 3 | SPL170 | 2.544-49 | 3.820 | 5.531 | EY 170-4-2021-1X |
| 3 | SPL170 | 2.544-49 | 3.818 | 6.260 | EY 170-4-2031-1X |
| 3 | SPL250 | 2.544-49 | 3.861 | 5.830 | EY 250-4-1301-1X |
| 3 | SPL250 | 2.544-49 | 3.812 | 6.750 | EY 250-4-1311-1X <i>Counterbore at hub end.</i> |

D156

| | | | | | |
|---|--------|----------|-------|-------|----------------------|
| 1 | SPL170 | 2.274-44 | 3.000 | 5.270 | EY 170-4-2011-1X |
| 1 | SPL250 | 2.274-44 | 3.000 | 5.490 | EY 250-4-1281-1X |
| 2 | SPL170 | 2.024-39 | 2.625 | 5.270 | EY 170-4-10002590-1X |
| 2 | SPL170 | 2.024-39 | 2.625 | 6.500 | EY 170-4-10002591-1X |
| 3 | SPL170 | 2.544-49 | 3.820 | 5.531 | EY 170-4-2021-1X |
| 3 | SPL170 | 2.544-49 | 3.818 | 6.260 | EY 170-4-2031-1X |

D170, D190

| | | | | | |
|---|--------|----------|-------|-------|---|
| 1 | SPL170 | 2.544-49 | 3.820 | 6.040 | EY 170-4-08444-1X <i>132863K = 170-4-08444-1X & nut# 131095; Spicer axles only</i> |
| 1 | SPL170 | 2.544-49 | 3.820 | 6.810 | EY 170-4-08461-1X <i>132931K = 170-4-08461-1X & nut# 131095; Spicer axles only</i> |
| 1 | SPL250 | 2.544-49 | 3.819 | 6.200 | EY 131446K <i>Attach nut #131095 on Spicer Axle only</i> |
| 1 | SPL250 | 2.544-49 | 3.819 | 6.200 | EY 250-4-08445-1X <i>131446K = 250-4-08445-1X & nut# 131095; Spicer axles only</i> |
| 1 | SPL250 | 2.544-49 | 3.861 | 6.200 | EY 250-4-1291-1X |
| 1 | SPL250 | 2.544-49 | 3.861 | 6.200 | EY 250-4-134705-1X |

| Pos | Series | Spline Data | Hub Dia | * to End of Hub | End Fitting Part Number |
|-----|--------|-------------|---------|-----------------|-------------------------|
|-----|--------|-------------|---------|-----------------|-------------------------|

D170, D190 (Continued)

| | | | | | |
|---|--------|----------|-------|-------|---|
| 1 | SPL350 | 2.544-49 | 3.896 | 6.200 | EY 350-4-201-1X |
| 1 | SPL350 | 2.544-49 | 3.820 | 6.200 | EY 350-4-31-1X |
| 1 | 1710 | 2.544-49 | 3.819 | 6.050 | EY 131519K <i>Attach nut #131095 on Spicer Axle only</i> |
| 1 | 1710 | 2.544-49 | 3.819 | 6.050 | EY 6-4-08438X <i>131530K = 6-4-08438X & nut# 131095; Spicer axles only</i> |
| 1 | 1710 | 2.544-49 | 3.819 | 6.050 | EY 6-4-08439-1X |
| 1 | 1710 | 2.143-41 | 2.938 | 6.620 | EY 6-4-08447-1X <i>131450K = 6-4-08447-1X & nut# 128049; Spicer axles only</i> |
| 1 | 1710 | 2.544-49 | 3.819 | 6.260 | EY 6-4-08449X <i>131439K = 6-4-08449X & nut# 131095; Spicer axles only</i> |
| 1 | 1710 | 2.544-49 | 3.819 | 6.260 | EY 6-4-08450-1X <i>131438K = 6-4-08450-1X & nut# 131095; Spicer axles only</i> |
| 1 | 1760 | 2.544-49 | 3.819 | 6.050 | EY 131520K <i>Attach nut #131095 on Spicer Axle only</i> |
| 1 | 1760 | 2.544-49 | 3.819 | 6.050 | EY 131530K <i>Attach nut #131095 on Spicer Axle only</i> |
| 1 | 1760 | 2.544-49 | 3.819 | 5.750 | EY 6.3-4-05582-1 <i>131482K = 5008441 yoke assy & nut# 131095; Spicer axles only</i> |
| 1 | 1760 | 2.544-49 | 3.819 | 5.750 | EY 6.3-4-08441-1X <i>131520K = 6.3-4-08441-1X & nut# 131095; Spicer axles only</i> |
| 1 | 1810 | 2.544-49 | 3.820 | 5.740 | EY 131447K <i>Attach nut #131095 on Spicer Axle only</i> |
| 1 | 1810 | 2.544-49 | 3.819 | 5.740 | EY 131448K <i>Attach nut #131095 on Spicer Axle only</i> |
| 1 | 1810 | 2.544-49 | 3.819 | 5.740 | EY 6.5-4-08442X <i>131448K = 6.5-4-08442X & nut# 131095; Spicer axles only</i> |
| 1 | 1810 | 2.544-49 | 3.820 | 5.740 | EY 6.5-4-08443-1X <i>131447K = 6.5-4-08443-1X & nut# 131095; Spicer axles only</i> |
| 1 | 1810 | 2.544-49 | 3.818 | 5.740 | EY 6.5-4-08457-1X <i>131443K = 6.5-4-08457-1X & nut# 131095; Spicer axles only</i> |
| 1 | 1810 | 2.544-49 | 3.818 | 5.740 | EY 6.5-4-5091 <i>131444K = 6.5-4-08456X & nut# 131095; Spicer axles only</i> |
| 2 | SPL170 | 2.143-41 | 2.938 | 7.190 | EY 131451K <i>Attach nut #128049 for Spicer Axles only</i> |
| 2 | SPL170 | 2.143-41 | 2.938 | 7.190 | EY 170-4-08448-1X <i>131451K = 170-4-08448-1X & nut# 128049; Spicer axles only</i> |
| 2 | 1710 | 2.143-41 | 2.938 | 6.620 | EY 131449K <i>Attach nut #128049 for Spicer Axles only</i> |
| 2 | 1710 | 2.143-41 | 2.938 | 6.620 | EY 131450K <i>Attach nut #128049 for Spicer Axles only</i> |
| 2 | 1710 | 2.544-49 | 3.819 | 6.200 | EY 6-4-08446X <i>131449K = 6-4-08446X & nut# 128049; Spicer axles only</i> |
| 2 | 1710 | 2.143-41 | 2.938 | 6.620 | EY 6-4-08447-1X <i>131450K = 6-4-08447-1X & nut# 128049; Spicer axles only</i> |
| 2 | 1710 | 2.544-49 | 3.819 | 6.260 | EY 6-4-08449X <i>131439K = 6-4-08449X & nut# 131095; Spicer axles only</i> |
| 2 | 1710 | 2.544-49 | 3.819 | 6.260 | EY 6-4-08450-1X <i>131438K = 6-4-08450-1X & nut# 131095; Spicer axles only</i> |
| 2 | 1710 | 2.143-41 | 2.938 | 6.620 | EY 6-4-10301 <i>131449K = 6-4-08446X & nut# 128049; Spicer axles only</i> |
| | | | | | <i>High angle yoke</i> |

*C/L to End of Hub for EY (End Yoke); Flange Face to End of Hub for CF (Companion Flange)

■ Hub machined for speedometer gear



| Pos | Series | Spline Data | Hub Dia | * to End of Hub | End Fitting Part Number |
|-------------------------------|--------|-------------|---------|-----------------|---|
| D170, D190 (Continued) | | | | | |
| 2 | 1710 | 2.143-41 | 2.938 | 6.620 | EY 6-4-10301-1 <i>131450K = 6-4-08447-1X & nut# 128049; Spicer axles only</i> |
| 3 | SPL170 | 2.544-49 | 3.818 | 5.531 | EY 131433K <i>Attach nut #131095 on Spicer Axle only</i> |
| 3 | SPL170 | 2.544-49 | 3.818 | 6.260 | EY 131434K <i>Attach nut #131095 on Spicer Axle only</i> |
| 3 | SPL170 | 2.544-49 | 3.819 | 5.830 | EY 131435K <i>Attach nut #131095 on Spicer Axle only</i> |
| 3 | SPL170 | 2.544-49 | 3.818 | 6.260 | EY 170-4-08451-1X <i>131434K = 170-4-08451-1X & nut# 131095; Spicer axles only</i> |
| 3 | SPL170 | 2.544-49 | 3.820 | 5.531 | EY 170-4-08458-1X <i>131433K = 170-4-08458-1X & nut# 131095; Spicer axles only</i> |
| 3 | SPL170 | 2.544-49 | 3.820 | 5.531 | EY 170-4-2021-1X |
| 3 | SPL170 | 2.544-49 | 3.818 | 6.260 | EY 170-4-2031-1X |
| 3 | 1710 | 2.544-49 | 3.819 | 6.260 | EY 131438K <i>Attach nut #131095 on Spicer Axle only</i> |
| 3 | 1710 | 2.544-49 | 3.819 | 6.260 | EY 131439K <i>Attach nut #131095 on Spicer Axle only</i> |
| 3 | 1710 | 2.544-49 | 3.819 | 5.570 | EY 131442K <i>Attach nut #131095 on Spicer Axle only</i> |
| 3 | 1710 | 2.544-49 | 3.819 | 6.260 | EY 6-4-08449X <i>131439K = 6-4-08449X & nut# 131095; Spicer axles only</i> |
| 3 | 1710 | 2.544-49 | 3.819 | 6.260 | EY 6-4-08450-1X <i>131438K = 6-4-08450-1X & nut# 131095; Spicer axles only</i> |
| 3 | 1710 | 2.544-49 | 3.819 | 5.570 | EY 6-4-08452X <i>131442K = 6-4-08452X & nut# 131095; Spicer axles only</i> |
| 3 | 1710 | 2.544-49 | 3.819 | 5.570 | EY 6-4-08453-1X <i>131437K = 6-4-08453-1X & nut 131095; Spicer axles only</i> |
| 3 | 1710 | 2.544-49 | 3.819 | 6.260 | EY 6-4-10311 <i>131439K = 6-4-08449X & nut# 131095; Spicer axles only</i> |
| 3 | 1710 | 2.544-49 | 3.819 | 6.260 | EY 6-4-10311-1 <i>131438K = 6-4-08450-1X & nut# 131095; Spicer axles only</i> |
| 3 | 1760 | 2.544-49 | 3.818 | 5.200 | EY 131440K <i>Attach nut #131095 on Spicer Axle only</i> |
| 3 | 1760 | 2.544-49 | 3.818 | 5.200 | EY 131441K <i>Attach nut #131095 on Spicer Axle only</i> |
| 3 | 1810 | 2.544-49 | 3.818 | 5.740 | EY 131443K <i>Attach nut #131095 on Spicer Axle only</i> |
| 3 | 1810 | 2.544-49 | 3.818 | 5.740 | EY 131444K <i>Attach nut #131095 on Spicer Axle only</i> |

| | | | | | |
|-------------|--------|----------|-------|-------|---|
| D590 | | | | | |
| 1 | SPL170 | 2.544-49 | 3.820 | 6.040 | EY 170-4-08444-1X <i>132863K = 170-4-08444-1X & nut# 131095; Spicer axles only</i> |
| 1 | SPL170 | 2.544-49 | 3.820 | 6.810 | EY 170-4-08461-1X <i>132931K = 170-4-08461-1X & nut# 131095; Spicer axles only</i> |
| 1 | SPL250 | 2.544-49 | 3.819 | 6.200 | EY 250-4-08445-1X <i>131446K = 250-4-08445-1X & nut# 131095; Spicer axles only</i> |
| 1 | 1710 | 2.544-49 | 3.819 | 6.050 | EY 6-4-08438X <i>131530K = 6-4-08438X & nut# 131095; Spicer axles only</i> |
| 1 | 1810 | 2.544-49 | 3.819 | 5.740 | EY 6.5-4-08442X <i>131448K = 6.5-4-08442X & nut# 131095; Spicer axles only</i> |
| 1 | 1810 | 2.544-49 | 3.820 | 5.740 | EY 6.5-4-08443-1X <i>131447K = 6.5-4-08443-1X & nut# 131095; Spicer axles only</i> |
| 2 | SPL170 | 2.143-41 | 2.938 | 7.190 | EY 170-4-08448-1X <i>131451K = 170-4-08448-1X & nut# 128049; Spicer axles only</i> <i>High angle yoke</i> |
| 2 | 1710 | 2.544-49 | 3.819 | 6.200 | EY 6-4-08446X <i>131449K = 6-4-08446X & nut# 128049; Spicer axles only</i> |
| 2 | 1710 | 2.143-41 | 2.938 | 6.620 | EY 6-4-08447-1X <i>131450K = 6-4-08447-1X & nut# 128049; Spicer axles only</i> |
| 3 | SPL170 | 2.544-49 | 3.820 | 6.040 | EY 170-4-08444-1X <i>132863K = 170-4-08444-1X & nut# 131095; Spicer axles only</i> |
| 3 | SPL170 | 2.544-49 | 3.820 | 6.810 | EY 170-4-08461-1X <i>132931K = 170-4-08461-1X & nut# 131095; Spicer axles only</i> |
| 3 | 1710 | 2.544-49 | 3.819 | 6.050 | EY 6-4-08438X <i>131530K = 6-4-08438X & nut# 131095; Spicer axles only</i> |

| Pos | Series | Spline Data | Hub Dia | * to End of Hub | End Fitting Part Number |
|-----------------------|--------|-------------|---------|-----------------|--|
| G340-S, G380-S | | | | | |
| 1 | 1610 | 2.114-32 | 3.000 | 5.375 | EY 5-4-7221X |
| 3 | 1610 | 2.114-32 | 3.000 | 5.375 | EY 5-4-7221X |
| 3 | 1610 | 2.114-32 | 3.000 | 5.375 | EY 5-4-8611-1X |
| 3 | 1610 | 2.114-32 | 3.000 | 6.000 | EY 5-4-8691-1X <i>High angle yoke</i> |
| 3 | 1710 | 2.114-32 | 3.000 | 6.062 | EY 6-4-8761-1X <i>High angle yoke</i> |
| G400-S | | | | | |
| 1 | 1610 | 2.364-36 | 3.000 | 5.156 | EY 5-4-8651-1X |
| 1 | 1710 | 2.364-36 | 3.000 | 5.438 | EY 6-4-8721-1X |
| 1 | 1760 | 2.364-36 | 3.000 | 5.438 | EY 6.3-4-1561-1X |
| 1 | 1810 | 2.364-36 | 3.000 | 5.438 | EY 6.5-4-4441-1X |
| 2 | 1610 | 1.989-30 | 3.000 | 6.000 | EY 5-4-8661-1 <i>High angle yoke</i> |
| 2 | 1710 | 1.989-30 | 3.000 | 6.281 | EY 6-4-8731-1 <i>High angle yoke</i> |
| 3 | 1610 | 2.114-32 | 3.000 | 6.000 | EY 5-4-8691-1X <i>High angle yoke</i> |
| 3 | 1710 | 2.114-32 | 3.000 | 6.062 | EY 6-4-8761-1X <i>High angle yoke</i> |
| G401-S | | | | | |
| 1 | 1610 | 2.114-32 | 3.000 | 5.375 | EY 5-4-7221X |
| 3 | 1610 | 2.114-32 | 3.000 | 5.375 | EY 5-4-7221X |
| J340-S, J380-S | | | | | |
| 1 | 1610 | 2.114-32 | 3.000 | 5.375 | EY 5-4-7221X |
| 1 | 1610 | 2.364-36 | 3.000 | 5.156 | EY 5-4-8651-1X |
| 1 | 1710 | 2.364-36 | 3.000 | 5.438 | EY 6-4-8721-1X |
| 1 | 1760 | 2.364-36 | 3.000 | 5.438 | EY 6.3-4-1551-1 |
| 1 | 1760 | 2.364-36 | 3.000 | 5.438 | EY 6.3-4-1561-1X |
| 1 | 1810 | 2.364-36 | 3.000 | 5.438 | EY 6.5-4-4441-1X |
| 2 | 1610 | 1.989-30 | 3.000 | 6.000 | EY 5-4-8661-1 <i>High angle yoke</i> |
| 2 | 1710 | 1.989-30 | 3.000 | 6.281 | EY 6-4-8731-1 <i>High angle yoke</i> |
| 3 | 1610 | 2.114-32 | 3.000 | 5.375 | EY 5-4-7221X |
| 3 | 1610 | 2.114-32 | 3.000 | 5.375 | EY 5-4-8611-1X |
| 3 | 1610 | 2.114-32 | 3.000 | 6.000 | EY 5-4-8691-1X <i>High angle yoke</i> |
| 3 | 1710 | 2.114-32 | 3.000 | 6.062 | EY 6-4-8761-1X <i>High angle yoke</i> |
| J400-S | | | | | |
| 1 | SPL250 | 2.364-36 | 3.000 | 5.680 | EY 250-4-361-1 |
| 1 | SPL250 | 2.364-36 | 3.000 | 5.680 | EY 250-4-371-1X |
| 1 | 1610 | 2.364-36 | 3.000 | 5.156 | EY 5-4-8641-1 |
| 1 | 1610 | 2.364-36 | 3.000 | 5.156 | EY 5-4-8651-1X |
| 1 | 1710 | 2.364-36 | 3.000 | 5.438 | EY 6-4-8711-1 |
| 1 | 1710 | 2.364-36 | 3.000 | 5.438 | EY 6-4-8721-1X |
| 1 | 1760 | 2.364-36 | 3.000 | 5.438 | EY 6.3-4-1551-1 |
| 1 | 1760 | 2.364-36 | 3.000 | 5.438 | EY 6.3-4-1561-1X |
| 1 | 1810 | 2.364-36 | 3.000 | 5.438 | EY 6.5-4-4431-1 |
| 1 | 1810 | 2.364-36 | 3.000 | 5.438 | EY 6.5-4-4441-1X |
| 2 | SPL170 | 1.989-30 | 3.000 | 6.580 | EY 170-4-771-1 <i>High angle yoke</i> |
| 2 | 1610 | 1.989-30 | 3.000 | 6.000 | EY 5-4-8661-1 <i>High angle yoke</i> |
| 2 | 1610 | 1.989-30 | 3.000 | 6.000 | EY 5-4-8671-1X <i>High angle yoke</i> |
| 2 | 1710 | 1.989-30 | 3.000 | 6.281 | EY 6-4-8731-1 <i>High angle yoke</i> |

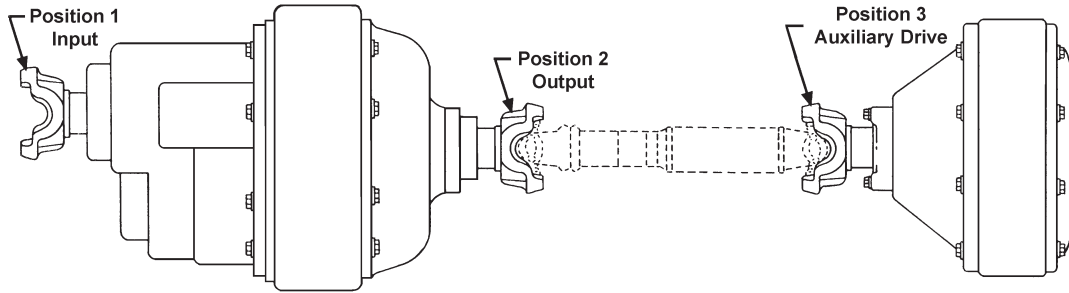
Continued on next page

*C/L to End of Hub for EY (End Yoke); Flange Face to End of Hub for CF (Companion Flange)

■ Hub machined for speedometer gear



Important: See Safety Information in General Information Section (J300P-GI)



| Pos | Series | Spline Data | Hub Dia | * to End of Hub | End Fitting Part Number |
|-----|--------|-------------|---------|-----------------|-------------------------|
|-----|--------|-------------|---------|-----------------|-------------------------|

J400-S (Continued)

| | | | | | |
|---|--------|----------|-------|-------|--|
| 3 | 1610 | 2.114-32 | 3.000 | 2.844 | CF 5-1-6691 .424 deep counterbore at hub end |
| 3 | 1610 | 2.114-32 | 3.000 | 2.844 | CF 5-1-6701X .424 deep counterbore at hub end |
| 3 | SPL140 | 2.114-32 | 3.000 | 4.810 | EY 140-4-921-1 |
| 3 | SPL140 | 2.114-32 | 3.000 | 4.810 | EY 140-4-931-1X |
| 3 | SPL170 | 2.114-32 | 3.000 | 5.000 | EY 170-4-891-1 |
| 3 | SPL170 | 2.114-32 | 3.000 | 5.000 | EY 170-4-901-1X |
| 3 | SPL170 | 2.114-32 | 3.000 | 6.312 | EY 170-4-951-1 High angle yoke |
| 3 | SPL170 | 2.114-32 | 3.000 | 6.312 | EY 170-4-961-1X High angle yoke |
| 3 | SPL250 | 2.114-32 | 3.000 | 5.240 | EY 250-4-411-1 |
| 3 | SPL250 | 2.114-32 | 3.000 | 5.240 | EY 250-4-421-1X |
| 3 | SPL90 | 2.114-32 | 3.000 | 4.375 | EY 90-4-581-1 |
| 3 | SPL90 | 2.114-32 | 3.000 | 4.375 | EY 90-4-591-1X |
| 3 | 1480 | 2.114-32 | 3.000 | 4.281 | EY 3-4-13341-1 |
| 3 | 1480 | 2.114-32 | 3.000 | 4.281 | EY 3-4-13351-1X |
| 3 | 1550 | 2.114-32 | 3.000 | 4.312 | EY 4-4-6991-1 |
| 3 | 1550 | 2.114-32 | 3.000 | 4.312 | EY 4-4-7001-1X |
| 3 | 1610 | 2.114-32 | 3.000 | 5.375 | EY 5-4-8601-1 |
| 3 | 1610 | 2.114-32 | 3.000 | 5.375 | EY 5-4-8611-1X |
| 3 | 1610 | 2.114-32 | 3.000 | 6.000 | EY 5-4-8681-1 High angle yoke |
| 3 | 1610 | 2.114-32 | 3.000 | 6.000 | EY 5-4-8691-1X High angle yoke |
| 3 | 1710 | 2.114-32 | 3.000 | 4.562 | EY 6-4-8671-1 |
| 3 | 1710 | 2.114-32 | 3.000 | 4.562 | EY 6-4-8681-1X |
| 3 | 1710 | 2.114-32 | 3.000 | 6.062 | EY 6-4-8751-1 High angle yoke |
| 3 | 1710 | 2.114-32 | 3.000 | 6.062 | EY 6-4-8761-1X High angle yoke |
| 3 | 1760 | 2.114-32 | 3.000 | 5.000 | EY 6.3-4-1511-1 |
| 3 | 1760 | 2.114-32 | 3.000 | 5.000 | EY 6.3-4-1521-1X |
| 3 | 1810 | 2.114-32 | 3.000 | 5.000 | EY 6.5-4-4451-1 |
| 3 | 1810 | 2.114-32 | 3.000 | 5.000 | EY 6.5-4-4461-1X |

M460-S

| | | | | | |
|---|------|----------|-------|-------|-----------------------------------|
| 1 | 1610 | 2.364-36 | 3.000 | 5.156 | EY 5-4-8651-1X |
| 1 | 1710 | 2.364-36 | 3.000 | 5.438 | EY 6-4-8721-1X |
| 1 | 1760 | 2.364-36 | 3.000 | 5.438 | EY 6.3-4-1561-1X |
| 1 | 1810 | 2.364-36 | 3.000 | 5.438 | EY 6.5-4-4441-1X |
| 2 | 1610 | 1.989-30 | 3.000 | 6.000 | EY 5-4-8661-1 High angle yoke |
| 2 | 1710 | 1.989-30 | 3.000 | 6.281 | EY 6-4-8731-1 High angle yoke |
| 3 | 1710 | 2.364-36 | 3.000 | 6.500 | EY 6-4-8781-1X High angle yoke |

| Pos | Series | Spline Data | Hub Dia | * to End of Hub | End Fitting Part Number |
|-----|--------|-------------|---------|-----------------|-------------------------|
|-----|--------|-------------|---------|-----------------|-------------------------|

N340-S

| | | | | | |
|---|--------|----------|-------|-------|--|
| 1 | 1610 | 2.114-32 | 3.000 | 2.844 | CF 5-1-6691 .424 deep counterbore at hub end |
| 1 | 1610 | 2.114-32 | 3.000 | 2.844 | CF 5-1-6701X .424 deep counterbore at hub end |
| 1 | SPL140 | 2.114-32 | 3.000 | 4.810 | EY 140-4-931-1X |
| 1 | SPL170 | 2.114-32 | 3.000 | 5.000 | EY 170-4-891-1 |
| 1 | SPL170 | 2.114-32 | 3.000 | 5.000 | EY 170-4-901-1X |
| 1 | SPL170 | 2.114-32 | 3.000 | 6.312 | EY 170-4-951-1 High angle yoke |
| 1 | SPL170 | 2.114-32 | 3.000 | 6.312 | EY 170-4-961-1X High angle yoke |
| 1 | SPL250 | 2.114-32 | 3.000 | 5.240 | EY 250-4-411-1 |
| 1 | SPL250 | 2.114-32 | 3.000 | 5.240 | EY 250-4-421-1X |
| 1 | SPL90 | 2.114-32 | 3.000 | 4.375 | EY 90-4-581-1 |
| 1 | SPL90 | 2.114-32 | 3.000 | 4.375 | EY 90-4-591-1X |
| 1 | 1480 | 2.114-32 | 3.000 | 4.281 | EY 3-4-13341-1 |
| 1 | 1480 | 2.114-32 | 3.000 | 4.281 | EY 3-4-13351-1X |
| 1 | 1550 | 2.114-32 | 3.000 | 4.312 | EY 4-4-6991-1 |
| 1 | 1550 | 2.114-32 | 3.000 | 4.312 | EY 4-4-7001-1X |
| 1 | 1610 | 2.114-32 | 3.000 | 5.375 | EY 5-4-8601-1 |
| 1 | 1610 | 2.114-32 | 3.000 | 5.375 | EY 5-4-8611-1X |
| 1 | 1610 | 2.114-32 | 3.000 | 6.000 | EY 5-4-8681-1 High angle yoke |
| 1 | 1610 | 2.114-32 | 3.000 | 6.000 | EY 5-4-8691-1X High angle yoke |
| 1 | 1710 | 2.114-32 | 3.000 | 4.562 | EY 6-4-8671-1 |
| 1 | 1710 | 2.114-32 | 3.000 | 4.562 | EY 6-4-8681-1X |
| 1 | 1710 | 2.114-32 | 3.000 | 6.062 | EY 6-4-8751-1 High angle yoke |
| 1 | 1710 | 2.114-32 | 3.000 | 6.062 | EY 6-4-8761-1X High angle yoke |
| 1 | 1760 | 2.114-32 | 3.000 | 5.000 | EY 6.3-4-1511-1 |
| 1 | 1760 | 2.114-32 | 3.000 | 5.000 | EY 6.3-4-1521-1X |
| 1 | 1810 | 2.114-32 | 3.000 | 5.000 | EY 6.5-4-4451-1 |
| 1 | 1810 | 2.114-32 | 3.000 | 5.000 | EY 6.5-4-4461-1X |
| 2 | SPL140 | 2.114-32 | 3.000 | 4.810 | EY 140-4-921-1 |
| 2 | SPL170 | 1.790-34 | 2.500 | 5.030 | EY 170-4-921-1 |
| 2 | 1610 | 1.790-34 | 2.500 | 5.438 | EY 5-4-8911-1 |
| 2 | 1710 | 1.790-34 | 2.500 | 4.875 | EY 6-4-9021-1 |
| 3 | 1610 | 2.114-32 | 3.000 | 2.844 | CF 5-1-6691 .424 deep counterbore at hub end |
| 3 | 1610 | 2.114-32 | 3.000 | 2.844 | CF 5-1-6701X .424 deep counterbore at hub end |
| 3 | SPL140 | 2.114-32 | 3.000 | 4.810 | EY 140-4-931-1X |
| 3 | SPL170 | 2.114-32 | 3.000 | 5.000 | EY 170-4-891-1 |
| 3 | SPL170 | 2.114-32 | 3.000 | 5.000 | EY 170-4-901-1X |
| 3 | SPL170 | 2.114-32 | 3.000 | 6.312 | EY 170-4-951-1 High angle yoke |
| 3 | SPL170 | 2.114-32 | 3.000 | 6.312 | EY 170-4-961-1X High angle yoke |

*C/L to End of Hub for EY (End Yoke); Flange Face to End of Hub for CF (Companion Flange)

■ Hub machined for speedometer gear



| Pos | Series | Spline Data | Hub Dia | * to End of Hub | End Fitting Part Number |
|---------------------------|--------|-------------|---------|-----------------|--|
| N340-S (Continued) | | | | | |
| 3 | SPL90 | 2.114-32 | 3.000 | 4.375 | EY 90-4-581-1 |
| 3 | SPL90 | 2.114-32 | 3.000 | 4.375 | EY 90-4-591-1X |
| 3 | 1480 | 2.114-32 | 3.000 | 4.281 | EY 3-4-13341-1 |
| 3 | 1480 | 2.114-32 | 3.000 | 4.281 | EY 3-4-13351-1X |
| 3 | 1550 | 2.114-32 | 3.000 | 4.312 | EY 4-4-6991-1 |
| 3 | 1550 | 2.114-32 | 3.000 | 4.312 | EY 4-4-7001-1X |
| 3 | 1610 | 2.114-32 | 3.000 | 5.375 | EY 5-4-8601-1 |
| 3 | 1610 | 2.114-32 | 3.000 | 5.375 | EY 5-4-8611-1X |
| 3 | 1610 | 2.114-32 | 3.000 | 6.000 | EY 5-4-8681-1 <i>High angle yoke</i> |
| 3 | 1610 | 2.114-32 | 3.000 | 6.000 | EY 5-4-8691-1X <i>High angle yoke</i> |
| 3 | 1710 | 2.114-32 | 3.000 | 4.562 | EY 6-4-8671-1 |
| 3 | 1710 | 2.114-32 | 3.000 | 4.562 | EY 6-4-8681-1X |
| 3 | 1710 | 2.114-32 | 3.000 | 6.062 | EY 6-4-8751-1 <i>High angle yoke</i> |
| 3 | 1710 | 2.114-32 | 3.000 | 6.062 | EY 6-4-8761-1X <i>High angle yoke</i> |
| 3 | 1760 | 2.114-32 | 3.000 | 5.000 | EY 6.3-4-1511-1 |
| 3 | 1760 | 2.114-32 | 3.000 | 5.000 | EY 6.3-4-1521-1X |
| 3 | 1810 | 2.114-32 | 3.000 | 5.000 | EY 6.5-4-4451-1 |
| 3 | 1810 | 2.114-32 | 3.000 | 5.000 | EY 6.5-4-4461-1X |

| | | | | | |
|---------------|--------|----------|-------|-------|---|
| N400-S | | | | | |
| 1 | 1610 | 2.114-32 | 3.000 | 2.844 | CF 5-1-6691 <i>.424 deep counterbore at hub end</i> |
| 1 | 1610 | 2.114-32 | 3.000 | 2.844 | CF 5-1-6701X <i>.424 deep counterbore at hub end</i> |
| 1 | SPL140 | 2.114-32 | 3.000 | 4.810 | EY 140-4-921-1 |
| 1 | SPL140 | 2.114-32 | 3.000 | 4.810 | EY 140-4-931-1X |
| 1 | SPL170 | 2.114-32 | 3.000 | 5.000 | EY 170-4-891-1 |
| 1 | SPL170 | 2.114-32 | 3.000 | 5.000 | EY 170-4-901-1X |
| 1 | SPL170 | 2.114-32 | 3.000 | 6.312 | EY 170-4-951-1 <i>High angle yoke</i> |
| 1 | SPL170 | 2.114-32 | 3.000 | 6.312 | EY 170-4-961-1X <i>High angle yoke</i> |
| 1 | SPL250 | 2.114-32 | 3.000 | 5.240 | EY 250-4-411-1 |
| 1 | SPL250 | 2.114-32 | 3.000 | 5.240 | EY 250-4-421-1X |
| 1 | SPL90 | 2.114-32 | 3.000 | 4.375 | EY 90-4-581-1 |
| 1 | SPL90 | 2.114-32 | 3.000 | 4.375 | EY 90-4-591-1X |
| 1 | 1480 | 2.114-32 | 3.000 | 4.281 | EY 3-4-13341-1 |
| 1 | 1480 | 2.114-32 | 3.000 | 4.281 | EY 3-4-13351-1X |
| 1 | 1550 | 2.114-32 | 3.000 | 4.312 | EY 4-4-6991-1 |
| 1 | 1550 | 2.114-32 | 3.000 | 4.312 | EY 4-4-7001-1X |
| 1 | 1610 | 2.114-32 | 3.000 | 5.375 | EY 5-4-8601-1 |
| 1 | 1610 | 2.114-32 | 3.000 | 5.375 | EY 5-4-8611-1X |
| 1 | 1610 | 2.114-32 | 3.000 | 6.000 | EY 5-4-8681-1 <i>High angle yoke</i> |
| 1 | 1610 | 2.114-32 | 3.000 | 6.000 | EY 5-4-8691-1X <i>High angle yoke</i> |
| 1 | 1710 | 2.114-32 | 3.000 | 4.562 | EY 6-4-8671-1 |
| 1 | 1710 | 2.114-32 | 3.000 | 4.562 | EY 6-4-8681-1X |
| 1 | 1710 | 2.114-32 | 3.000 | 6.062 | EY 6-4-8751-1 <i>High angle yoke</i> |
| 1 | 1710 | 2.114-32 | 3.000 | 6.062 | EY 6-4-8761-1X <i>High angle yoke</i> |
| 1 | 1760 | 2.114-32 | 3.000 | 5.000 | EY 6.3-4-1511-1 |
| 1 | 1760 | 2.114-32 | 3.000 | 5.000 | EY 6.3-4-1521-1X |
| 1 | 1810 | 2.114-32 | 3.000 | 5.000 | EY 6.5-4-4451-1 |
| 1 | 1810 | 2.114-32 | 3.000 | 5.000 | EY 6.5-4-4461-1X |
| 2 | SPL170 | 1.790-34 | 2.500 | 5.030 | EY 170-4-921-1 |

| Pos | Series | Spline Data | Hub Dia | * to End of Hub | End Fitting Part Number |
|---------------------------|--------|-------------|---------|-----------------|---|
| N400-S (Continued) | | | | | |
| 2 | 1610 | 1.790-34 | 2.500 | 5.438 | EY 5-4-8911-1 |
| 2 | 1710 | 1.790-34 | 2.500 | 4.875 | EY 6-4-9021-1 |
| 3 | 1610 | 2.114-32 | 3.000 | 2.844 | CF 5-1-6691 <i>.424 deep counterbore at hub end</i> |
| 3 | 1610 | 2.114-32 | 3.000 | 2.844 | CF 5-1-6701X <i>.424 deep counterbore at hub end</i> |
| 3 | SPL140 | 2.114-32 | 3.000 | 4.810 | EY 140-4-921-1 |
| 3 | SPL140 | 2.114-32 | 3.000 | 4.810 | EY 140-4-931-1X |
| 3 | SPL170 | 2.114-32 | 3.000 | 5.000 | EY 170-4-891-1 |
| 3 | SPL170 | 2.114-32 | 3.000 | 5.000 | EY 170-4-901-1X |
| 3 | SPL170 | 2.114-32 | 3.000 | 6.312 | EY 170-4-951-1 <i>High angle yoke</i> |
| 3 | SPL170 | 2.114-32 | 3.000 | 6.312 | EY 170-4-961-1X <i>High angle yoke</i> |
| 3 | SPL250 | 2.114-32 | 3.000 | 5.240 | EY 250-4-411-1 |
| 3 | SPL250 | 2.114-32 | 3.000 | 5.240 | EY 250-4-421-1X |
| 3 | SPL90 | 2.114-32 | 3.000 | 4.375 | EY 90-4-581-1 |
| 3 | SPL90 | 2.114-32 | 3.000 | 4.375 | EY 90-4-591-1X |
| 3 | 1480 | 2.114-32 | 3.000 | 4.281 | EY 3-4-13341-1 |
| 3 | 1480 | 2.114-32 | 3.000 | 4.281 | EY 3-4-13351-1X |
| 3 | 1550 | 2.114-32 | 3.000 | 4.312 | EY 4-4-6991-1 |
| 3 | 1550 | 2.114-32 | 3.000 | 4.312 | EY 4-4-7001-1X |
| 3 | 1610 | 2.114-32 | 3.000 | 5.375 | EY 5-4-8601-1 |
| 3 | 1610 | 2.114-32 | 3.000 | 5.375 | EY 5-4-8611-1X |
| 3 | 1610 | 2.114-32 | 3.000 | 6.000 | EY 5-4-8681-1 <i>High angle yoke</i> |
| 3 | 1610 | 2.114-32 | 3.000 | 6.000 | EY 5-4-8691-1X <i>High angle yoke</i> |
| 3 | 1710 | 2.114-32 | 3.000 | 4.562 | EY 6-4-8671-1 |
| 3 | 1710 | 2.114-32 | 3.000 | 4.562 | EY 6-4-8681-1X |
| 3 | 1710 | 2.114-32 | 3.000 | 6.062 | EY 6-4-8751-1 <i>High angle yoke</i> |
| 3 | 1710 | 2.114-32 | 3.000 | 6.062 | EY 6-4-8761-1X <i>High angle yoke</i> |
| 3 | 1760 | 2.114-32 | 3.000 | 5.000 | EY 6.3-4-1511-1 |
| 3 | 1760 | 2.114-32 | 3.000 | 5.000 | EY 6.3-4-1521-1X |
| 3 | 1810 | 2.114-32 | 3.000 | 5.000 | EY 6.5-4-4451-1 |
| 3 | 1810 | 2.114-32 | 3.000 | 5.000 | EY 6.5-4-4461-1X |

| | | | | | |
|----------------|--------|----------|-------|-------|--|
| R40-145 | | | | | |
| 3 | SPL170 | 2.024-39 | 3.000 | 5.156 | EY 170-4-1991-1X <i>High angle yoke</i> |
| 3 | SPL170 | 2.024-39 | 3.000 | 6.240 | EY 170-4-2001-1X <i>High angle yoke</i> |
| 3 | 1710 | 2.024-39 | 3.000 | 5.250 | EY 6-4-10321-1X |
| 3 | 1710 | 2.024-39 | 3.000 | 6.125 | EY 6-4-10401-1X <i>High angle yoke</i> |

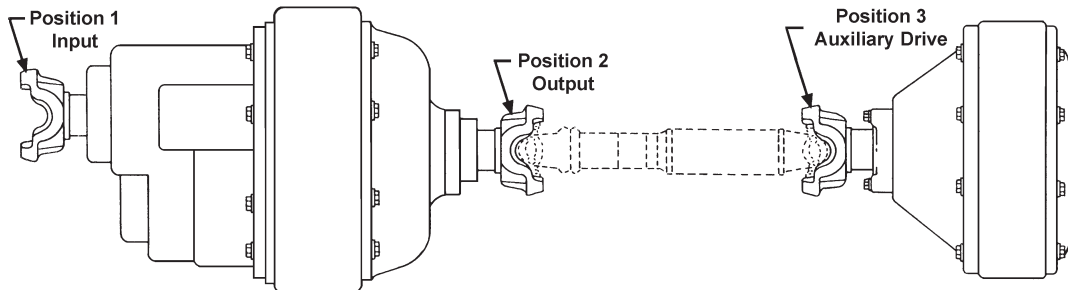
| | | | | | |
|-------------|--------|----------|-------|-------|---|
| S400 | | | | | |
| 1 | SPL170 | 2.024-39 | 3.000 | 5.031 | EY 170-4-841-1 |
| 1 | SPL170 | 2.024-39 | 3.000 | 5.031 | EY 170-4-851-1X |
| 1 | SPL250 | 2.024-39 | 3.000 | 5.240 | EY 250-4-381-1 |
| 1 | SPL250 | 2.024-39 | 3.000 | 5.240 | EY 250-4-391-1X |
| 1 | 1610 | 2.024-39 | 3.000 | 6.000 | EY 5-4-9291-1 <i>High angle yoke</i> |
| 1 | 1710 | 2.024-39 | 3.000 | 6.000 | EY 6-4-9291-1 <i>High angle yoke</i> |
| 1 | 1710 | 2.024-39 | 3.000 | 4.656 | EY 6-4-9421-1 |
| 1 | 1710 | 2.024-39 | 3.000 | 4.656 | EY 6-4-9441-1X |
| 1 | 1760 | 2.024-39 | 3.000 | 5.625 | EY 6.3-4-1701-1 |
| 1 | 1760 | 2.024-39 | 3.000 | 5.625 | EY 6.3-4-1711-1X |

Continued on next page

*C/L to End of Hub for EY (End Yoke); Flange Face to End of Hub for CF (Companion Flange)

■ Hub machined for speedometer gear





| Pos | Series | Spline Data | Hub Dia | * to End of Hub | End Fitting Part Number |
|-----|--------|-------------|---------|-----------------|-------------------------|
|-----|--------|-------------|---------|-----------------|-------------------------|

S400 (Continued)

| | | | | | |
|---|--------|----------|-------|-------|---|
| 1 | 1810 | 2.024-39 | 3.000 | 5.000 | EY 6.5-4-4651-1 |
| 1 | 1810 | 2.024-39 | 3.000 | 5.000 | EY 6.5-4-4661-1X |
| 2 | SPL170 | 2.024-39 | 3.000 | 5.280 | EY 170-4-821-1 |
| 2 | SPL170 | 2.024-39 | 3.000 | 6.500 | EY 170-4-831-1 <i>High angle yoke</i> |
| 2 | 1610 | 2.024-39 | 3.000 | 5.594 | EY 5-4-9351-1 |
| 2 | 1710 | 2.024-39 | 3.000 | 6.120 | EY 6-4-9281-1 |
| 2 | 1710 | 2.024-39 | 3.000 | 5.438 | EY 6-4-9411-1 |
| 3 | SPL170 | 2.024-39 | 3.000 | 6.250 | EY 170-4-801-1 <i>High angle yoke</i> |
| 3 | SPL170 | 2.024-39 | 3.000 | 6.250 | EY 170-4-811-1X <i>High angle yoke</i> |
| 3 | SPL170 | 2.024-39 | 3.000 | 5.031 | EY 170-4-841-1 |
| 3 | SPL170 | 2.024-39 | 3.000 | 5.031 | EY 170-4-861-1X |
| 3 | 1610 | 2.024-39 | 3.000 | 6.000 | EY 5-4-9291-1 <i>High angle yoke</i> |
| 3 | 1610 | 2.024-39 | 3.000 | 6.000 | EY 5-4-9311-1X <i>High angle yoke</i> |
| 3 | 1710 | 2.024-39 | 3.000 | 6.000 | EY 6-4-9291-1 <i>High angle yoke</i> |
| 3 | 1710 | 2.024-39 | 3.000 | 6.000 | EY 6-4-9301-1X <i>High angle yoke</i> |
| 3 | 1710 | 2.024-39 | 3.000 | 4.656 | EY 6-4-9421-1 |
| 3 | 1710 | 2.024-39 | 3.000 | 4.656 | EY 6-4-9431-1X |

T170, T190

| | | | | | |
|---|--------|----------|-------|-------|--|
| 3 | SPL170 | 2.544-49 | 3.820 | 6.810 | EY 170-4-08461-1X 132931K = 170-4-08461-1X & nut# 131095; Spicer axles only |
|---|--------|----------|-------|-------|--|

W460-S

| | | | | | |
|---|--------|----------|-------|-------|---|
| 1 | SPL250 | 2.364-36 | 3.000 | 5.680 | EY 250-4-361-1 |
| 1 | SPL250 | 2.364-36 | 3.000 | 5.680 | EY 250-4-371-1X |
| 1 | 1610 | 2.364-36 | 3.000 | 5.156 | EY 5-4-8641-1 |
| 1 | 1610 | 2.364-36 | 3.000 | 5.156 | EY 5-4-8651-1X |
| 1 | 1710 | 2.364-36 | 3.000 | 5.438 | EY 6-4-8711-1 |
| 1 | 1710 | 2.364-36 | 3.000 | 5.438 | EY 6-4-8721-1X |
| 1 | 1760 | 2.364-36 | 3.000 | 5.438 | EY 6.3-4-1551-1 |
| 1 | 1760 | 2.364-36 | 3.000 | 5.438 | EY 6.3-4-1561-1X |
| 1 | 1810 | 2.364-36 | 3.000 | 5.438 | EY 6.5-4-4431-1 |
| 1 | 1810 | 2.364-36 | 3.000 | 5.438 | EY 6.5-4-4441-1X |
| 2 | SPL170 | 1.989-30 | 3.000 | 6.580 | EY 170-4-771-1 <i>High angle yoke</i> |
| 2 | 1610 | 1.989-30 | 3.000 | 6.000 | EY 5-4-8661-1 <i>High angle yoke</i> |
| 2 | 1610 | 1.989-30 | 3.000 | 6.000 | EY 5-4-8671-1X <i>High angle yoke</i> |
| 2 | 1710 | 1.989-30 | 3.000 | 6.281 | EY 6-4-8731-1 <i>High angle yoke</i> |
| 3 | SPL170 | 2.364-36 | 3.000 | 6.780 | EY 170-4-781-1 <i>High angle yoke</i> |
| 3 | SPL170 | 2.364-36 | 3.000 | 6.780 | EY 170-4-791-1X <i>High angle yoke</i> |

| Pos | Series | Spline Data | Hub Dia | * to End of Hub | End Fitting Part Number |
|-----|--------|-------------|---------|-----------------|-------------------------|
|-----|--------|-------------|---------|-----------------|-------------------------|

W460-S (Continued)

| | | | | | |
|---|------|----------|-------|-------|--|
| 3 | 1710 | 2.364-36 | 3.000 | 6.500 | EY 6-4-8771-1 <i>High angle yoke</i> |
| 3 | 1710 | 2.364-36 | 3.000 | 6.500 | EY 6-4-8781-1X <i>High angle yoke</i> |

22-MF, 22-MR, 28-MF, 28-MR

| | | | | | |
|---|-----------|----------|-------|-------|---------------|
| 1 | 1480/1550 | 1.750-10 | 2.375 | 2.812 | CF 4-1-3171 |
| 1 | 1350 | 1.750-10 | 2.375 | 4.000 | EY 3-4-2351-1 |
| 1 | 1610 | 1.750-10 | 2.375 | 4.188 | EY 5-4-1481 |
| 1 | 1610 | 1.750-10 | 2.375 | 4.688 | EY 5-4-1481-1 |
| 3 | 1480/1550 | 1.750-10 | 2.375 | 2.812 | CF 4-1-3171 |
| 3 | 1350 | 1.750-10 | 2.375 | 4.000 | EY 3-4-2351-1 |
| 3 | 1610 | 1.750-10 | 2.375 | 4.188 | EY 5-4-1481 |
| 3 | 1610 | 1.750-10 | 2.375 | 4.688 | EY 5-4-1481-1 |

30R

| | | | | | |
|---|------|----------|-------|-------|---|
| 1 | 1550 | 1.962-10 | 2.625 | 4.266 | EY 4-4-4071-1X |
| 1 | 1610 | 1.962-10 | 2.625 | 5.312 | EY 5-4-4471-1 |
| 1 | 1610 | 1.962-10 | 2.625 | 6.000 | EY 5-4-4771X <i>High angle yoke</i> |
| 1 | 1610 | 1.962-10 | 2.625 | 4.719 | EY 5-4-5121X |
| 1 | 1710 | 1.964-10 | 2.625 | 4.500 | EY 6-4-2211 <i>Chamfered Counterbore</i> |
| 1 | 1710 | 1.962-10 | 2.625 | 4.500 | EY 6-4-4731-1X <i>Chamfered Counterbore</i> |
| 1 | 1710 | 1.962-10 | 2.625 | 4.500 | EY 6-4-4731X <i>Chamfered Counterbore</i> |
| 1 | 1710 | 1.962-10 | 2.625 | 6.125 | EY 6-4-4851-1X <i>Chamfered Counterbore; High angle yoke</i> |
| 1 | 1710 | 1.962-10 | 2.625 | 6.125 | EY 6-4-4851X <i>Chamfered Counterbore; High angle yoke</i> |
| 1 | 1710 | 1.962-10 | 2.625 | 5.250 | EY 6-4-5151X <i>Chamfered Counterbore</i> |
| 1 | 1760 | 1.964-10 | 2.625 | 5.625 | EY 6.3-4-221X <i>Chamfered Counterbore</i> |
| 1 | 1810 | 1.964-10 | 2.625 | 5.625 | EY 6.5-4-2351X <i>Chamfered Counterbore</i> |
| 2 | 1410 | 1.750-10 | 2.625 | 4.250 | EY 3-4-2511-1 .250 deep spline chamfer |
| 2 | 1550 | 1.750-10 | 2.625 | 4.672 | EY 4-4-3581-1X .250 deep spline chamfer |
| 2 | 1610 | 1.750-10 | 2.625 | 6.000 | EY 5-4-4761X <i>High angle yoke</i> |
| 2 | 1610 | 1.750-10 | 2.625 | 4.750 | EY 5-4-5111X |
| 2 | 1710 | 1.750-10 | 2.625 | 5.250 | EY 6-4-4301X <i>Chamfered Counterbore</i> |
| 2 | 1710 | 1.750-10 | 2.625 | 6.125 | EY 6-4-4861X <i>Chamfered Counterbore; High angle yoke</i> |
| 2 | 1710 | 1.750-10 | 2.625 | 4.500 | EY 6-4-5581-1X <i>Chamfered Counterbore</i> |
| 2 | 1710 | 1.750-10 | 2.625 | 4.500 | EY 6-4-5581X <i>Chamfered Counterbore</i> |

*C/L to End of Hub for EY (End Yoke); Flange Face to End of Hub for CF (Companion Flange)

■ Hub machined for speedometer gear



| Pos | Series | Spline Data | Hub Dia | * to End of Hub | End Fitting Part Number |
|------------------------|--------|-------------|---------|-----------------|--|
| 30R (Continued) | | | | | |
| 3 | 1410 | 1.750-10 | 2.625 | 4.250 | EY 3-4-2511-1 <i>All ratios except 3.70 & 4.11; .250 deep spline chamfer</i> |
| 3 | 1480 | 1.750-10 | 2.625 | 4.281 | EY 3-4-5791-1X <i>.250 deep spline chamfer; C'bore depth is chamfered</i> |
| 3 | 1550 | 1.750-10 | 2.625 | 4.672 | EY 4-4-3581-1X <i>.250 deep spline chamfer</i> |
| 3 | 1610 | 1.750-10 | 2.625 | 6.000 | EY 5-4-4761X <i>All ratios except 3.70 & 4.11; High angle yoke</i> |
| 3 | 1610 | 1.962-10 | 2.625 | 6.000 | EY 5-4-4771X <i>3.70 & 4.11 ratios only; High angle yoke</i> |
| 3 | 1610 | 1.750-10 | 2.625 | 4.750 | EY 5-4-5111X <i>All ratios except 3.70 & 4.11</i> |
| 3 | 1610 | 1.962-10 | 2.625 | 4.719 | EY 5-4-5121X <i>3.70 & 4.11 ratios only</i> |
| 3 | 1710 | 1.750-10 | 2.625 | 5.250 | EY 6-4-4301X <i>All ratios except 3.70 & 4.11; Chamfered Counterbore</i> |
| 3 | 1710 | 1.962-10 | 2.625 | 6.125 | EY 6-4-4851-1X <i>3.70 & 4.11 ratios only; Chamfered Counterbore; High angle yoke</i> |
| 3 | 1710 | 1.962-10 | 2.625 | 6.125 | EY 6-4-4851X <i>3.70 & 4.11 ratios only; Chamfered Counterbore; High angle yoke</i> |
| 3 | 1710 | 1.750-10 | 2.625 | 6.125 | EY 6-4-4861X <i>All ratios except 3.70 & 4.11; Chamfered Counterbore; High angle yoke</i> |
| 3 | 1710 | 1.962-10 | 2.625 | 5.250 | EY 6-4-5151X <i>3.70 & 4.11 ratios only; Chamfered Counterbore</i> |
| 3 | 1710 | 1.750-10 | 2.625 | 4.500 | EY 6-4-5581-1X <i>All ratios except 3.70 & 4.11; Chamfered Counterbore</i> |
| 3 | 1710 | 1.750-10 | 2.625 | 4.500 | EY 6-4-5581X <i>All ratios except 3.70 & 4.11; Chamfered Counterbore</i> |

| | | | | | |
|---------------------|-----------|----------|-------|-------|---|
| 32-MF, 32-MR | | | | | |
| 1 | 1480/1550 | 1.750-10 | 2.375 | 2.812 | CF 4-1-3171 |
| 1 | 1610 | 1.750-10 | 2.375 | 4.188 | EY 5-4-1481 |
| 1 | 1610 | 1.750-10 | 2.375 | 4.688 | EY 5-4-1481-1 |
| 2 | 1610 | 1.750-10 | 2.375 | 4.188 | EY 5-4-1481 |
| 2 | 1610 | 1.750-10 | 2.375 | 4.688 | EY 5-4-1481-1 |
| 3 | 1410 | 1.750-10 | 2.625 | 4.250 | EY 3-4-2511-1 <i>.250 deep spline chamfer</i> |
| 3 | 1550 | 1.750-10 | 2.625 | 4.672 | EY 4-4-3581-1X <i>.250 deep spline chamfer</i> |
| 3 | 1610 | 1.750-10 | 2.625 | 4.125 | EY 5-4-781 |
| 3 | 1650 | 1.750-10 | 2.625 | 4.375 | EY 5-4-4161X <i>Chamfered Counterbore</i> |

| | | | | | |
|---------------------|-----------|----------|-------|-------|--|
| 34-MF, 34-MR | | | | | |
| 1 | 1480/1550 | 1.750-10 | 2.375 | 2.812 | CF 4-1-3171 |
| 1 | 1610 | 1.750-10 | 2.375 | 4.188 | EY 5-4-1481 |
| 1 | 1610 | 1.750-10 | 2.375 | 4.688 | EY 5-4-1481-1 |
| 2 | 1610 | 1.750-10 | 2.375 | 4.188 | EY 5-4-1481 |
| 2 | 1610 | 1.750-10 | 2.375 | 4.688 | EY 5-4-1481-1 |
| 3 | 1410 | 1.750-10 | 2.625 | 4.250 | EY 3-4-2511-1 <i>.250 deep spline chamfer</i> |
| 3 | 1610 | 1.750-10 | 2.625 | 4.125 | EY 5-4-781 |
| 3 | 1650 | 1.750-10 | 2.625 | 4.375 | EY 5-4-4161X <i>Chamfered Counterbore</i> |

| | | | | | |
|------------|------|----------|-------|-------|--|
| 34D | | | | | |
| 1 | 1550 | 1.962-10 | 2.625 | 4.266 | EY 4-4-4071-1X |
| 1 | 1610 | 1.962-10 | 2.625 | 5.312 | EY 5-4-4471-1 |
| 1 | 1610 | 1.962-10 | 2.625 | 6.000 | EY 5-4-4771X <i>High angle yoke</i> |
| 1 | 1610 | 1.962-10 | 2.625 | 4.719 | EY 5-4-5121X <i>Chamfered Counterbore</i> |
| 1 | 1710 | 1.964-10 | 2.625 | 4.500 | EY 6-4-2211 <i>Chamfered Counterbore</i> |
| 1 | 1710 | 1.962-10 | 2.625 | 6.125 | EY 6-4-4151 <i>Chamfered Counterbore, High angle yoke</i> |

| Pos | Series | Spline Data | Hub Dia | * to End of Hub | End Fitting Part Number |
|-----------------------|--------|-------------|---------|-----------------|---|
| 34D(Continued) | | | | | |
| 1 | 1710 | 1.962-10 | 2.625 | 6.125 | EY 6-4-4151-1 <i>Chamfered Counterbore, High angle yoke</i> |
| 1 | 1710 | 1.962-10 | 2.625 | 4.500 | EY 6-4-4721 <i>Chamfered Counterbore</i> |
| 1 | 1710 | 1.962-10 | 2.625 | 4.500 | EY 6-4-4731-1X <i>Chamfered Counterbore</i> |
| 1 | 1710 | 1.962-10 | 2.625 | 4.500 | EY 6-4-4731X <i>Chamfered Counterbore</i> |
| 1 | 1710 | 1.962-10 | 2.625 | 6.125 | EY 6-4-4851-1X <i>Chamfered Counterbore; High angle yoke</i> |
| 1 | 1710 | 1.962-10 | 2.625 | 6.125 | EY 6-4-4851X <i>Chamfered Counterbore; High angle yoke</i> |
| 1 | 1710 | 1.962-10 | 2.625 | 5.250 | EY 6-4-5151X <i>Chamfered Counterbore</i> |
| 1 | 1710 | 2.274-44 | 2.938 | 5.188 | EY 6-4-8551X |
| 1 | 1760 | 2.274-44 | 2.938 | 5.250 | EY 6.3-4-1481X |
| 1 | 1760 | 1.964-10 | 2.625 | 5.625 | EY 6.3-4-221X <i>Chamfered Counterbore</i> |
| 1 | 1810 | 1.964-10 | 2.625 | 5.625 | EY 6.5-4-2351X <i>Chamfered Counterbore</i> |
| 1 | 1810 | 2.274-44 | 2.938 | 5.250 | EY 6.5-4-4351X |
| 2 | 1410 | 1.750-10 | 2.625 | 4.250 | EY 3-4-2511-1 <i>.250 deep spline chamfer</i> |
| 2 | 1610 | 1.750-10 | 2.625 | 6.000 | EY 5-4-4761X <i>High angle yoke</i> |
| 2 | 1610 | 1.750-10 | 2.625 | 4.750 | EY 5-4-5111X |
| 2 | 1610 | 1.790-34 | 2.625 | 6.188 | EY 5-4-8441X <i>High angle yoke</i> |
| 2 | 1710 | 1.750-10 | 2.625 | 5.250 | EY 6-4-4301X <i>Chamfered Counterbore</i> |
| 2 | 1710 | 1.750-10 | 2.625 | 6.125 | EY 6-4-4861X <i>Chamfered Counterbore; High angle yoke</i> |
| 2 | 1710 | 1.750-10 | 2.625 | 4.500 | EY 6-4-5581-1X <i>Chamfered Counterbore</i> |
| 2 | 1710 | 1.750-10 | 2.625 | 4.500 | EY 6-4-5581X <i>Chamfered Counterbore</i> |
| 2 | 1710 | 1.790-34 | 2.625 | 5.438 | EY 6-4-8511X |
| 2 | 1710 | 1.790-34 | 2.625 | 6.312 | EY 6-4-8521X <i>High angle yoke</i> |
| 3 | 1410 | 1.750-10 | 2.625 | 4.250 | EY 3-4-2511-1 <i>All ratios except 3.70 & 4.11; .250 deep spline chamfer</i> |
| 3 | 1610 | 1.750-10 | 2.625 | 6.000 | EY 5-4-4761X <i>All ratios except 3.70 & 4.11; High angle yoke</i> |
| 3 | 1610 | 1.962-10 | 2.625 | 6.000 | EY 5-4-4771X <i>3.70 & 4.11 ratios only; High angle yoke</i> |
| 3 | 1610 | 1.750-10 | 2.625 | 4.750 | EY 5-4-5111X <i>All ratios except 3.70 & 4.11</i> |
| 3 | 1610 | 1.962-10 | 2.625 | 4.719 | EY 5-4-5121X <i>3.70 & 4.11 ratios only</i> |
| 3 | 1610 | 2.024-39 | 2.625 | 4.719 | EY 5-4-8131-1X |
| 3 | 1610 | 2.024-39 | 2.625 | 5.312 | EY 5-4-8411X |
| 3 | 1610 | 2.024-39 | 2.625 | 6.000 | EY 5-4-8421X <i>High angle yoke</i> |
| 3 | 1610 | 1.962-10 | 2.625 | 5.312 | EY 5-4-8901-1X <i>C'bore depth is chamfered</i> |
| 3 | 1710 | 1.962-10 | 2.625 | 6.125 | EY 6-4-4151 <i>Chamfered Counterbore</i> |
| 3 | 1710 | 1.962-10 | 2.625 | 6.125 | EY 6-4-4151-1 <i>Chamfered Counterbore; High angle yoke</i> |
| 3 | 1710 | 1.750-10 | 2.625 | 5.250 | EY 6-4-4301X <i>All ratios except 3.70 & 4.11; Chamfered Counterbore</i> |

Continued on next page

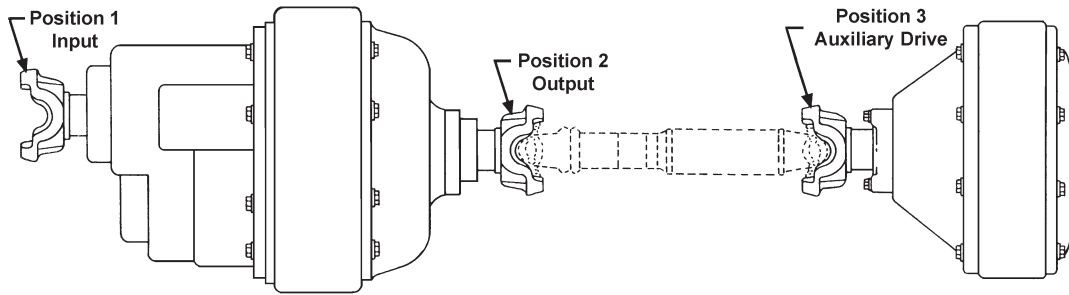
*C/L to End of Hub for EY (End Yoke); Flange Face to End of Hub for CF (Companion Flange)

■ Hub machined for speedometer gear



Important: See Safety Information in General Information Section (J300P-GI)

TANDEM AXLES



| Pos | Series | Spline Data | Hub Dia | * to End of Hub | End Fitting Part Number |
|-----|--------|-------------|---------|-----------------|-------------------------|
|-----|--------|-------------|---------|-----------------|-------------------------|

34D(Continued)

| | | | | | |
|--|------|----------|-------|-------|----------------|
| 3 | 1710 | 1.962-10 | 2.625 | 6.125 | EY 6-4-4851-1X |
| <i>3.70 & 4.11 ratios only; Chamfered Counterbore; High angle yoke</i> | | | | | |
| 3 | 1710 | 1.962-10 | 2.625 | 6.125 | EY 6-4-4851X |
| <i>3.70 & 4.11 ratios only; Chamfered Counterbore; High angle yoke</i> | | | | | |
| 3 | 1710 | 1.750-10 | 2.625 | 6.125 | EY 6-4-4861X |
| <i>All ratios except 3.70 & 4.11; Chamfered Counterbore; High angle yoke</i> | | | | | |
| 3 | 1710 | 1.962-10 | 2.625 | 5.250 | EY 6-4-5151X |
| <i>3.70 & 4.11 ratios only; Chamfered Counterbore</i> | | | | | |
| 3 | 1710 | 1.750-10 | 2.625 | 4.500 | EY 6-4-5581-1X |
| <i>All ratios except 3.70 & 4.11; Chamfered Counterbore</i> | | | | | |
| 3 | 1710 | 1.750-10 | 2.625 | 4.500 | EY 6-4-5581X |
| <i>All ratios except 3.70 & 4.11; Chamfered Counterbore</i> | | | | | |
| 3 | 1710 | 2.024-39 | 2.625 | 5.250 | EY 6-4-8531X |
| 3 | 1710 | 2.024-39 | 2.625 | 6.125 | EY 6-4-8541X |
| <i>High angle yoke</i> | | | | | |

34R

| | | | | | |
|--|------|----------|-------|-------|----------------|
| 1 | 1550 | 1.962-10 | 2.625 | 4.266 | EY 4-4-4071-1X |
| 1 | 1610 | 1.962-10 | 2.625 | 5.312 | EY 5-4-4471-1 |
| 1 | 1610 | 1.962-10 | 2.625 | 6.000 | EY 5-4-4771X |
| <i>High angle yoke</i> | | | | | |
| 1 | 1610 | 1.962-10 | 2.625 | 4.719 | EY 5-4-5121X |
| 1 | 1710 | 1.964-10 | 2.625 | 4.500 | EY 6-4-2211 |
| <i>Chamfered Counterbore</i> | | | | | |
| 1 | 1710 | 1.962-10 | 2.625 | 6.125 | EY 6-4-4151 |
| <i>Chamfered Counterbore; High angle yoke</i> | | | | | |
| 1 | 1710 | 1.962-10 | 2.625 | 6.125 | EY 6-4-4151-1 |
| <i>Chamfered Counterbore; High angle yoke</i> | | | | | |
| 1 | 1710 | 1.962-10 | 2.625 | 4.500 | EY 6-4-4721 |
| <i>Chamfered Counterbore</i> | | | | | |
| 1 | 1710 | 1.962-10 | 2.625 | 4.500 | EY 6-4-4731-1X |
| <i>Chamfered Counterbore</i> | | | | | |
| 1 | 1710 | 1.962-10 | 2.625 | 4.500 | EY 6-4-4731X |
| <i>Chamfered Counterbore</i> | | | | | |
| 1 | 1710 | 1.962-10 | 2.625 | 6.125 | EY 6-4-4851-1X |
| <i>Chamfered Counterbore; High angle yoke</i> | | | | | |
| 1 | 1710 | 1.962-10 | 2.625 | 6.125 | EY 6-4-4851X |
| <i>Chamfered Counterbore; High angle yoke</i> | | | | | |
| 1 | 1710 | 1.962-10 | 2.625 | 5.250 | EY 6-4-5151X |
| <i>Chamfered Counterbore</i> | | | | | |
| 1 | 1760 | 1.964-10 | 2.625 | 5.625 | EY 6.3-4-221X |
| <i>Chamfered Counterbore</i> | | | | | |
| 1 | 1810 | 1.964-10 | 2.625 | 5.625 | EY 6.5-4-2351X |
| <i>Chamfered Counterbore</i> | | | | | |
| 2 | 1410 | 1.750-10 | 2.625 | 4.250 | EY 3-4-2511-1 |
| <i>.250 deep spline chamfer</i> | | | | | |
| 2 | 1480 | 1.750-10 | 2.625 | 4.281 | EY 3-4-5791-1X |
| <i>.250 deep spline chamfer; C'bore depth is chamfered</i> | | | | | |
| 2 | 1550 | 1.750-10 | 2.625 | 4.672 | EY 4-4-3581-1X |
| <i>.250 deep spline chamfer</i> | | | | | |
| 2 | 1610 | 1.750-10 | 2.625 | 6.000 | EY 5-4-4761X |
| <i>High angle yoke</i> | | | | | |

| Pos | Series | Spline Data | Hub Dia | * to End of Hub | End Fitting Part Number |
|-----|--------|-------------|---------|-----------------|-------------------------|
|-----|--------|-------------|---------|-----------------|-------------------------|

34R (Continued)

| | | | | | |
|--|------|----------|-------|-------|----------------|
| 2 | 1610 | 1.750-10 | 2.625 | 4.750 | EY 5-4-5111X |
| 2 | 1710 | 1.750-10 | 2.625 | 5.250 | EY 6-4-4301X |
| <i>Chamfered Counterbore</i> | | | | | |
| 2 | 1710 | 1.750-10 | 2.625 | 6.125 | EY 6-4-4861X |
| <i>Chamfered Counterbore; High angle yoke</i> | | | | | |
| 2 | 1710 | 1.750-10 | 2.625 | 4.500 | EY 6-4-5581-1X |
| <i>Chamfered Counterbore</i> | | | | | |
| 2 | 1710 | 1.750-10 | 2.625 | 4.500 | EY 6-4-5581X |
| <i>Chamfered Counterbore</i> | | | | | |
| 3 | 1410 | 1.750-10 | 2.625 | 4.250 | EY 3-4-2511-1 |
| <i>All ratios except 3.70 & 4.11</i> | | | | | |
| 3 | 1480 | 1.750-10 | 2.625 | 4.281 | EY 3-4-5791-1X |
| <i>.250 deep spline chamfer</i> | | | | | |
| 3 | 1480 | 1.750-10 | 2.625 | 4.281 | EY 3-4-5791-1X |
| <i>.250 deep spline chamfer; C'bore depth is chamfered</i> | | | | | |
| 3 | 1550 | 1.750-10 | 2.625 | 4.672 | EY 4-4-3581-1X |
| <i>.250 deep spline chamfer</i> | | | | | |
| 3 | 1610 | 1.750-10 | 2.625 | 6.000 | EY 5-4-4761X |
| <i>All ratios except 3.70 & 4.11; High angle yoke</i> | | | | | |
| 3 | 1610 | 1.962-10 | 2.625 | 6.000 | EY 5-4-4771X |
| <i>3.70 & 4.11 ratios only</i> | | | | | |
| 3 | 1610 | 1.750-10 | 2.625 | 4.750 | EY 5-4-5111X |
| <i>All ratios except 3.70 & 4.11</i> | | | | | |
| 3 | 1610 | 1.962-10 | 2.625 | 4.719 | EY 5-4-5121X |
| <i>3.70 & 4.11 ratios only</i> | | | | | |
| 3 | 1710 | 1.750-10 | 2.625 | 5.250 | EY 6-4-4301X |
| <i>All ratios except 3.70 & 4.11; Chamfered Counterbore</i> | | | | | |
| 3 | 1710 | 1.962-10 | 2.625 | 6.125 | EY 6-4-4851-1X |
| <i>3.70 & 4.11 ratios only; Chamfered Counterbore; High angle yoke</i> | | | | | |
| 3 | 1710 | 1.962-10 | 2.625 | 6.125 | EY 6-4-4851X |
| <i>3.70 & 4.11 ratios only; Chamfered Counterbore; High angle yoke</i> | | | | | |
| 3 | 1710 | 1.750-10 | 2.625 | 6.125 | EY 6-4-4861X |
| <i>All ratios except 3.70 & 4.11; Chamfered Counterbore; High angle yoke</i> | | | | | |
| 3 | 1710 | 1.962-10 | 2.625 | 5.250 | EY 6-4-5151X |
| <i>3.70 & 4.11 ratios only; Chamfered Counterbore</i> | | | | | |
| 3 | 1710 | 1.750-10 | 2.625 | 4.500 | EY 6-4-5581-1X |
| <i>All ratios except 3.70 & 4.11; Chamfered Counterbore</i> | | | | | |
| 3 | 1710 | 1.750-10 | 2.625 | 4.500 | EY 6-4-5581X |
| <i>All ratios except 3.70 & 4.11; Chamfered Counterbore</i> | | | | | |

36-MF, 36-MR

| | | | | | |
|------------------------------|------|----------|-------|-------|----------------|
| 1 | 1550 | 1.962-10 | 2.625 | 4.266 | EY 4-4-4071-1X |
| 1 | 1610 | 1.962-10 | 2.625 | 4.719 | EY 5-4-5121-1X |
| 1 | 1610 | 1.962-10 | 2.625 | 4.719 | EY 5-4-5121X |
| 1 | 1710 | 1.964-10 | 2.625 | 4.500 | EY 6-4-2211 |
| <i>Chamfered Counterbore</i> | | | | | |
| 1 | 1710 | 1.962-10 | 2.625 | 5.250 | EY 6-4-5151X |
| <i>Chamfered Counterbore</i> | | | | | |

*C/L to End of Hub for EY (End Yoke); Flange Face to End of Hub for CF (Companion Flange)

■ Hub machined for speedometer gear



| Pos | Series | Spline Data | Hub Dia | * to End of Hub | End Fitting Part Number |
|------------|--------|-------------|---------|-----------------|---|
| 38D | | | | | |
| 1 | 1550 | 1.962-10 | 2.625 | 4.266 | EY 4-4-4071-1X |
| 1 | 1610 | 1.962-10 | 2.625 | 5.312 | EY 5-4-4471-1 |
| 1 | 1610 | 1.962-10 | 2.625 | 6.000 | EY 5-4-4771X <i>High angle yoke</i> |
| 1 | 1610 | 1.962-10 | 2.625 | 4.719 | EY 5-4-5121X |
| 1 | 1710 | 1.964-10 | 2.625 | 4.500 | EY 6-4-2211 <i>Chamfered Counterbore</i> |
| 1 | 1710 | 1.962-10 | 2.625 | 6.125 | EY 6-4-4151 <i>Chamfered Counterbore; High angle yoke</i> |
| 1 | 1710 | 1.962-10 | 2.625 | 6.125 | EY 6-4-4151-1 <i>Chamfered Counterbore; High angle yoke</i> |
| 1 | 1710 | 1.962-10 | 2.625 | 4.500 | EY 6-4-4721 <i>Chamfered Counterbore</i> |
| 1 | 1710 | 1.962-10 | 2.625 | 4.500 | EY 6-4-4731-1X <i>Chamfered Counterbore</i> |
| 1 | 1710 | 1.962-10 | 2.625 | 4.500 | EY 6-4-4731X <i>Chamfered Counterbore</i> |
| 1 | 1710 | 1.962-10 | 2.625 | 6.125 | EY 6-4-4851-1X <i>Chamfered Counterbore High angle yoke</i> |
| 1 | 1710 | 1.962-10 | 2.625 | 6.125 | EY 6-4-4851X <i>Chamfered Counterbore High angle yoke</i> |
| 1 | 1710 | 1.962-10 | 2.625 | 5.250 | EY 6-4-5151X <i>Chamfered Counterbore</i> |
| 1 | 1710 | 2.274-44 | 2.938 | 5.188 | EY 6-4-8551X |
| 1 | 1760 | 2.274-44 | 2.938 | 5.250 | EY 6.3-4-1481X |
| 1 | 1760 | 1.964-10 | 2.625 | 5.625 | EY 6.3-4-221X <i>Chamfered Counterbore</i> |
| 1 | 1810 | 1.964-10 | 2.625 | 5.625 | EY 6.5-4-2351X <i>Chamfered Counterbore</i> |
| 1 | 1810 | 2.274-44 | 2.938 | 5.250 | EY 6.5-4-4351X |
| 2 | 1410 | 1.750-10 | 2.625 | 4.250 | EY 3-4-2511-1 <i>.250 deep spline chamfer</i> |
| 2 | 1610 | 1.750-10 | 2.625 | 6.000 | EY 5-4-4761X <i>High angle yoke</i> |
| 2 | 1610 | 1.750-10 | 2.625 | 4.750 | EY 5-4-5111X |
| 2 | 1610 | 1.790-34 | 2.625 | 6.188 | EY 5-4-8441X <i>High angle yoke</i> |
| 2 | 1710 | 1.750-10 | 2.625 | 5.250 | EY 6-4-4301X <i>Chamfered Counterbore</i> |
| 2 | 1710 | 1.750-10 | 2.625 | 6.125 | EY 6-4-4861X <i>Chamfered Counterbore; High angle yoke</i> |
| 2 | 1710 | 1.750-10 | 2.625 | 4.500 | EY 6-4-5581-1X <i>Chamfered Counterbore</i> |
| 2 | 1710 | 1.750-10 | 2.625 | 4.500 | EY 6-4-5581X <i>Chamfered Counterbore</i> |
| 2 | 1710 | 1.790-34 | 2.625 | 5.438 | EY 6-4-8511X |
| 2 | 1710 | 1.790-34 | 2.625 | 6.312 | EY 6-4-8521X <i>High angle yoke</i> |
| 3 | 1410 | 1.750-10 | 2.625 | 4.250 | EY 3-4-2511-1 <i>All ratios except 3.70 & 4.11; .250 deep spline chamfer</i> |
| 3 | 1610 | 1.750-10 | 2.625 | 6.000 | EY 5-4-4761X <i>All ratios except 3.70 & 4.11; High angle yoke</i> |
| 3 | 1610 | 1.962-10 | 2.625 | 6.000 | EY 5-4-4771X <i>3.70 & 4.11 ratios only; High angle yoke</i> |
| 3 | 1610 | 1.750-10 | 2.625 | 4.750 | EY 5-4-5111X <i>All ratios except 3.70 & 4.11</i> |
| 3 | 1610 | 1.962-10 | 2.625 | 4.719 | EY 5-4-5121X <i>3.70 & 4.11 ratios only</i> |
| 3 | 1610 | 2.024-39 | 2.625 | 4.719 | EY 5-4-8131-1X |
| 3 | 1610 | 2.024-39 | 2.625 | 5.312 | EY 5-4-8411X |
| 3 | 1610 | 2.024-39 | 2.625 | 6.000 | EY 5-4-8421X <i>High angle yoke</i> |

| Pos | Series | Spline Data | Hub Dia | * to End of Hub | End Fitting Part Number |
|------------------------|--------|-------------|---------|-----------------|--|
| 38D (Continued) | | | | | |
| 3 | 1610 | 1.962-10 | 2.625 | 5.312 | EY 5-4-8901-1X <i>C bore depth is chamfered</i> |
| 3 | 1710 | 1.962-10 | 2.625 | 6.125 | EY 6-4-4151 <i>Chamfered Counterbore; High angle yoke</i> |
| 3 | 1710 | 1.962-10 | 2.625 | 6.125 | EY 6-4-4151-1 <i>Chamfered Counterbore; High angle yoke</i> |
| 3 | 1710 | 1.750-10 | 2.625 | 5.250 | EY 6-4-4301X <i>All ratios except 3.70 & 4.11; Chamfered Counterbore</i> |
| 3 | 1710 | 1.962-10 | 2.625 | 6.125 | EY 6-4-4851-1X <i>3.70 & 4.11 ratios only; Chamfered Counterbore; High angle yoke</i> |
| 3 | 1710 | 1.962-10 | 2.625 | 6.125 | EY 6-4-4851X <i>3.70 & 4.11 ratios only; Chamfered Counterbore; High angle yoke</i> |
| 3 | 1710 | 1.750-10 | 2.625 | 6.125 | EY 6-4-4861X <i>All ratios except 3.70 & 4.11; Chamfered Counterbore; High angle yoke</i> |
| 3 | 1710 | 1.962-10 | 2.625 | 5.250 | EY 6-4-5151X <i>3.70 & 4.11 ratios only; Chamfered Counterbore</i> |
| 3 | 1710 | 1.750-10 | 2.625 | 4.500 | EY 6-4-5581-1X <i>All ratios except 3.70 & 4.11; Chamfered Counterbore</i> |
| 3 | 1710 | 1.750-10 | 2.625 | 4.500 | EY 6-4-5581X <i>All ratios except 3.70 & 4.11; Chamfered Counterbore</i> |
| 3 | 1710 | 2.024-39 | 2.625 | 5.250 | EY 6-4-8531X |
| 3 | 1710 | 2.024-39 | 2.625 | 6.125 | EY 6-4-8541X <i>High angle yoke</i> |

| Pos | Series | Spline Data | Hub Dia | * to End of Hub | End Fitting Part Number |
|------------|--------|-------------|---------|-----------------|--|
| 38R | | | | | |
| 1 | 1550 | 1.962-10 | 2.625 | 4.266 | EY 4-4-4071-1X |
| 1 | 1610 | 1.962-10 | 2.625 | 5.312 | EY 5-4-4471-1 |
| 1 | 1610 | 1.962-10 | 2.625 | 6.000 | EY 5-4-4771X <i>High angle yoke</i> |
| 1 | 1610 | 1.962-10 | 2.625 | 4.719 | EY 5-4-5121X |
| 1 | 1710 | 1.964-10 | 2.625 | 4.500 | EY 6-4-2211 <i>Chamfered Counterbore</i> |
| 1 | 1710 | 1.962-10 | 2.625 | 6.125 | EY 6-4-4151 <i>Chamfered Counterbore; High angle yoke</i> |
| 1 | 1710 | 1.962-10 | 2.625 | 6.125 | EY 6-4-4151-1 <i>Chamfered Counterbore; High angle yoke</i> |
| 1 | 1710 | 1.962-10 | 2.625 | 4.500 | EY 6-4-4721 <i>Chamfered Counterbore</i> |
| 1 | 1710 | 1.962-10 | 2.625 | 4.500 | EY 6-4-4731-1X <i>Chamfered Counterbore</i> |
| 1 | 1710 | 1.962-10 | 2.625 | 4.500 | EY 6-4-4731X <i>Chamfered Counterbore</i> |
| 1 | 1710 | 1.962-10 | 2.625 | 6.125 | EY 6-4-4851-1X <i>Chamfered Counterbore; High angle yoke</i> |
| 1 | 1710 | 1.962-10 | 2.625 | 6.125 | EY 6-4-4851X <i>Chamfered Counterbore; High angle yoke</i> |
| 1 | 1710 | 1.962-10 | 2.625 | 5.250 | EY 6-4-5151X <i>Chamfered Counterbore</i> |
| 1 | 1760 | 1.964-10 | 2.625 | 5.625 | EY 6.3-4-221X <i>Chamfered Counterbore</i> |
| 1 | 1810 | 1.964-10 | 2.625 | 5.625 | EY 6.5-4-2351X <i>Chamfered Counterbore</i> |
| 2 | 1410 | 1.750-10 | 2.625 | 4.250 | EY 3-4-2511-1 <i>.250 deep spline chamfer</i> |
| 2 | 1480 | 1.750-10 | 2.625 | 4.281 | EY 3-4-5791-1X <i>.250 deep spline chamfer; C bore depth is chamfered</i> |
| 2 | 1550 | 1.750-10 | 2.625 | 4.672 | EY 4-4-3581-1X <i>.250 deep spline chamfer</i> |
| 2 | 1610 | 1.750-10 | 2.625 | 6.000 | EY 5-4-4761X <i>High angle yoke</i> |
| 2 | 1610 | 1.750-10 | 2.625 | 4.750 | EY 5-4-5111X |
| 2 | 1710 | 1.750-10 | 2.625 | 5.250 | EY 6-4-4301X <i>Chamfered Counterbore</i> |

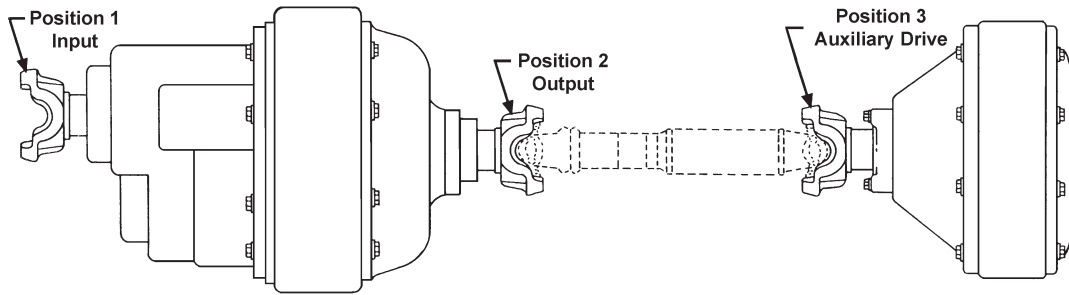
Continued on next page

*C/L to End of Hub for EY (End Yoke); Flange Face to End of Hub for CF (Companion Flange)

■ Hub machined for speedometer gear



Important: See Safety Information in General Information Section (J300P-GI)



| Pos | Series | Spline Data | Hub Dia | * to End of Hub | End Fitting Part Number |
|-----|--------|-------------|---------|-----------------|-------------------------|
|-----|--------|-------------|---------|-----------------|-------------------------|

38R (Continued)

| | | | | | |
|---|------|----------|-------|-------|--|
| 2 | 1710 | 1.750-10 | 2.625 | 6.125 | EY 6-4-4861X <i>Chamfered Counterbore; High angle yoke</i> |
| 2 | 1710 | 1.750-10 | 2.625 | 4.500 | EY 6-4-5581-1X <i>Chamfered Counterbore</i> |
| 2 | 1710 | 1.750-10 | 2.625 | 4.500 | EY 6-4-5581X <i>Chamfered Counterbore</i> |
| 3 | 1410 | 1.750-10 | 2.625 | 4.250 | EY 3-4-2511-1 <i>All ratios except 3.70 & 4.11; .250 deep spline chamfer</i> |
| 3 | 1480 | 1.750-10 | 2.625 | 4.281 | EY 3-4-5791-1X <i>.250 deep spline chamfer; C'bore depth is chamfered</i> |
| 3 | 1550 | 1.750-10 | 2.625 | 4.672 | EY 4-4-3581-1X <i>.250 deep spline chamfer</i> |
| 3 | 1610 | 1.750-10 | 2.625 | 6.000 | EY 5-4-4761X <i>All ratios except 3.70 & 4.11; High angle yoke</i> |
| 3 | 1610 | 1.962-10 | 2.625 | 6.000 | EY 5-4-4771X <i>3.70 & 4.11 ratios only; High angle yoke</i> |
| 3 | 1610 | 1.750-10 | 2.625 | 4.750 | EY 5-4-5111X <i>All ratios except 3.70 & 4.11</i> |
| 3 | 1610 | 1.962-10 | 2.625 | 4.719 | EY 5-4-5121X <i>3.70 & 4.11 ratios only</i> |
| 3 | 1710 | 1.962-10 | 2.625 | 6.125 | EY 6-4-4151 <i>Chamfered Counterbore; High angle yoke</i> |
| 3 | 1710 | 1.962-10 | 2.625 | 6.125 | EY 6-4-4151-1 <i>Chamfered Counterbore; High angle yoke</i> |
| 3 | 1710 | 1.750-10 | 2.625 | 5.250 | EY 6-4-4301X <i>All ratios except 3.70 & 4.11; Chamfered Counterbore</i> |
| 3 | 1710 | 1.962-10 | 2.625 | 6.125 | EY 6-4-4851-1X <i>3.70 & 4.11 ratios only; Chamfered Counterbore; High angle yoke</i> |
| 3 | 1710 | 1.962-10 | 2.625 | 6.125 | EY 6-4-4851X <i>3.70 & 4.11 ratios only; Chamfered Counterbore; High angle yoke</i> |
| 3 | 1710 | 1.750-10 | 2.625 | 6.125 | EY 6-4-4861X <i>All ratios except 3.70 & 4.11; Chamfered Counterbore; High angle yoke</i> |
| 3 | 1710 | 1.962-10 | 2.625 | 5.250 | EY 6-4-5151X <i>3.70 & 4.11 ratios only; Chamfered Counterbore</i> |
| 3 | 1710 | 1.750-10 | 2.625 | 4.500 | EY 6-4-5581-1X <i>All ratios except 3.70 & 4.11; Chamfered Counterbore</i> |
| 3 | 1710 | 1.750-10 | 2.625 | 4.500 | EY 6-4-5581X <i>All ratios except 3.70 & 4.11; Chamfered Counterbore</i> |

42-MF, 42-MR

| | | | | | |
|---|------|----------|-------|-------|---|
| 2 | 1550 | 1.962-10 | 2.625 | 4.266 | EY 4-4-4071-1X |
| 2 | 1610 | 1.962-10 | 2.625 | 5.312 | EY 5-4-4471-1 |
| 2 | 1710 | 1.962-10 | 2.625 | 4.500 | EY 6-4-4731X <i>Chamfered Counterbore</i> |
| 2 | 1710 | 1.962-10 | 2.625 | 6.125 | EY 6-4-4851X <i>Chamfered Counterbore; High angle yoke</i> |
| 2 | 1810 | 1.964-10 | 2.625 | 5.625 | EY 6.5-4-2351X <i>Chamfered Counterbore</i> |
| 3 | 1550 | 1.962-10 | 2.625 | 4.266 | EY 4-4-4071-1X |
| 3 | 1610 | 1.962-10 | 2.625 | 5.312 | EY 5-4-4471-1 |
| 3 | 1710 | 1.962-10 | 2.625 | 4.500 | EY 6-4-4731X <i>Chamfered Counterbore</i> |

| Pos | Series | Spline Data | Hub Dia | * to End of Hub | End Fitting Part Number |
|-----|--------|-------------|---------|-----------------|-------------------------|
|-----|--------|-------------|---------|-----------------|-------------------------|

42-MF, 42-MR (Continued)

| | | | | | |
|------------|------|----------|-------|-------|--|
| 3 | 1710 | 1.962-10 | 2.625 | 6.125 | EY 6-4-4851X <i>Chamfered Counterbore; High angle yoke</i> |
| 3 | 1810 | 1.964-10 | 2.625 | 5.625 | EY 6.5-4-2351X <i>Chamfered Counterbore</i> |
| 42D | | | | | |
| 1 | 1550 | 1.962-10 | 2.625 | 4.266 | EY 4-4-4071-1X |
| 1 | 1610 | 1.962-10 | 2.625 | 5.312 | EY 5-4-4471-1 |
| 1 | 1610 | 1.962-10 | 2.625 | 6.000 | EY 5-4-4771X <i>High angle yoke</i> |
| 1 | 1610 | 1.962-10 | 2.625 | 4.719 | EY 5-4-5121X |
| 1 | 1710 | 1.964-10 | 2.625 | 4.500 | EY 6-4-2211 <i>Chamfered Counterbore</i> |
| 1 | 1710 | 1.962-10 | 2.625 | 6.125 | EY 6-4-4151 <i>Chamfered Counterbore; High angle yoke</i> |
| 1 | 1710 | 1.962-10 | 2.625 | 6.125 | EY 6-4-4151-1 <i>Chamfered Counterbore; High angle yoke</i> |
| 1 | 1710 | 1.962-10 | 2.625 | 4.500 | EY 6-4-4721 <i>Chamfered Counterbore</i> |
| 1 | 1710 | 1.962-10 | 2.625 | 4.500 | EY 6-4-4731-1X <i>Chamfered Counterbore</i> |
| 1 | 1710 | 1.962-10 | 2.625 | 4.500 | EY 6-4-4731X <i>Chamfered Counterbore</i> |
| 1 | 1710 | 1.962-10 | 2.625 | 6.125 | EY 6-4-4851-1X <i>Chamfered Counterbore; High angle yoke</i> |
| 1 | 1710 | 1.962-10 | 2.625 | 5.250 | EY 6-4-5151X <i>Chamfered Counterbore</i> |
| 1 | 1760 | 1.964-10 | 2.625 | 5.625 | EY 6.3-4-221X <i>Chamfered Counterbore</i> |
| 1 | 1810 | 1.964-10 | 2.625 | 5.625 | EY 6.5-4-2351X <i>Chamfered Counterbore</i> |
| 2 | 1410 | 1.750-10 | 2.625 | 4.250 | EY 3-4-2511-1 <i>.250 deep spline chamfer</i> |
| 2 | 1480 | 1.750-10 | 2.625 | 4.281 | EY 3-4-5791-1X <i>.250 deep spline chamfer; C'bore depth is chamfered</i> |
| 2 | 1550 | 1.750-10 | 2.625 | 4.672 | EY 4-4-3581-1X <i>.250 deep spline chamfer</i> |
| 2 | 1610 | 1.750-10 | 2.625 | 6.000 | EY 5-4-4761X <i>High angle yoke</i> |
| 2 | 1610 | 1.750-10 | 2.625 | 4.750 | EY 5-4-5111X |
| 2 | 1710 | 1.750-10 | 2.625 | 5.250 | EY 6-4-4301X <i>Chamfered Counterbore</i> |
| 2 | 1710 | 1.750-10 | 2.625 | 6.125 | EY 6-4-4861X <i>Chamfered Counterbore; High angle yoke</i> |
| 2 | 1710 | 1.750-10 | 2.625 | 4.500 | EY 6-4-5581-1X <i>Chamfered Counterbore</i> |
| 2 | 1710 | 1.750-10 | 2.625 | 4.500 | EY 6-4-5581X <i>Chamfered Counterbore</i> |
| 3 | 1410 | 1.750-10 | 2.625 | 4.250 | EY 3-4-2511-1 <i>.250 deep spline chamfer</i> |
| 3 | 1480 | 1.750-10 | 2.625 | 4.281 | EY 3-4-5791-1X <i>.250 deep spline chamfer; C'bore depth is chamfered</i> |

*C/L to End of Hub for EY (End Yoke); Flange Face to End of Hub for CF (Companion Flange)

■ Hub machined for speedometer gear



| Pos | Series | Spline Data | Hub Dia | * to End of Hub | End Fitting Part Number |
|------------------------|--------|-------------|---------|-----------------|--|
| 42D (Continued) | | | | | |
| 3 | 1550 | 1.750-10 | 2.625 | 4.672 | EY 4-4-3581-1X .250 deep spline chamfer |
| 3 | 1610 | 1.750-10 | 2.625 | 6.000 | EY 5-4-4761X High angle yoke |
| 3 | 1610 | 1.962-10 | 2.625 | 6.000 | EY 5-4-4771X High angle yoke |
| 3 | 1610 | 1.750-10 | 2.625 | 4.750 | EY 5-4-5111X |
| 3 | 1610 | 1.962-10 | 2.625 | 4.719 | EY 5-4-5121X |
| 3 | 1710 | 1.962-10 | 2.625 | 6.125 | EY 6-4-4151 Chamfered Counterbore; High angle yoke |
| 3 | 1710 | 1.962-10 | 2.625 | 6.125 | EY 6-4-4151-1 Chamfered Counterbore; High angle yoke |
| 3 | 1710 | 1.750-10 | 2.625 | 5.250 | EY 6-4-4301X Chamfered Counterbore |
| 3 | 1710 | 1.962-10 | 2.625 | 6.125 | EY 6-4-4851-1X Chamfered Counterbore; High angle yoke |
| 3 | 1710 | 1.962-10 | 2.625 | 6.125 | EY 6-4-4851X Chamfered Counterbore; High angle yoke |
| 3 | 1710 | 1.750-10 | 2.625 | 6.125 | EY 6-4-4861X Chamfered Counterbore; High angle yoke |
| 3 | 1710 | 1.962-10 | 2.625 | 5.250 | EY 6-4-5151X Chamfered Counterbore |
| 3 | 1710 | 1.750-10 | 2.625 | 4.500 | EY 6-4-5581-1X Chamfered Counterbore |
| 3 | 1710 | 1.750-10 | 2.625 | 4.500 | EY 6-4-5581X Chamfered Counterbore |

| | | | | | |
|------------|------|----------|-------|-------|---|
| 42R | | | | | |
| 1 | 1550 | 1.962-10 | 2.625 | 4.266 | EY 4-4-4071-1X |
| 1 | 1610 | 1.962-10 | 2.625 | 5.312 | EY 5-4-4471-1 |
| 1 | 1610 | 1.962-10 | 2.625 | 6.000 | EY 5-4-4771X High angle yoke |
| 1 | 1610 | 1.962-10 | 2.625 | 4.719 | EY 5-4-5121X |
| 1 | 1710 | 1.964-10 | 2.625 | 4.500 | EY 6-4-2211 Chamfered Counterbore |
| 1 | 1710 | 1.962-10 | 2.625 | 6.125 | EY 6-4-4151 Chamfered Counterbore; High angle yoke |
| 1 | 1710 | 1.962-10 | 2.625 | 6.125 | EY 6-4-4151-1 Chamfered Counterbore; High angle yoke |
| 1 | 1710 | 1.962-10 | 2.625 | 4.500 | EY 6-4-4721 Chamfered Counterbore |
| 1 | 1710 | 1.962-10 | 2.625 | 4.500 | EY 6-4-4731-1X Chamfered Counterbore |
| 1 | 1710 | 1.962-10 | 2.625 | 4.500 | EY 6-4-4731X Chamfered Counterbore |
| 1 | 1710 | 1.962-10 | 2.625 | 6.125 | EY 6-4-4851-1X Chamfered Counterbore; High angle yoke |
| 1 | 1710 | 1.962-10 | 2.625 | 6.125 | EY 6-4-4851X Chamfered Counterbore; High angle yoke |
| 1 | 1710 | 1.962-10 | 2.625 | 5.250 | EY 6-4-5151X Chamfered Counterbore |
| 1 | 1760 | 1.964-10 | 2.625 | 5.625 | EY 6.3-4-221X Chamfered Counterbore |
| 1 | 1810 | 1.964-10 | 2.625 | 5.625 | EY 6.5-4-2351X Chamfered Counterbore |
| 2 | 1410 | 1.750-10 | 2.625 | 4.250 | EY 3-4-2511-1 .250 deep spline chamfer |
| 2 | 1480 | 1.750-10 | 2.625 | 4.281 | EY 3-4-5791-1X .250 deep spline chamfer; C'bore depth is chamfered |
| 2 | 1550 | 1.750-10 | 2.625 | 4.672 | EY 4-4-3581-1X .250 deep spline chamfer |
| 2 | 1610 | 1.750-10 | 2.625 | 6.000 | EY 5-4-4761X High angle yoke |
| 2 | 1610 | 1.750-10 | 2.625 | 4.750 | EY 5-4-5111X |
| 2 | 1710 | 1.750-10 | 2.625 | 5.250 | EY 6-4-4301X Chamfered Counterbore |

| Pos | Series | Spline Data | Hub Dia | * to End of Hub | End Fitting Part Number |
|------------------------|--------|-------------|---------|-----------------|---|
| 42R (Continued) | | | | | |
| 2 | 1710 | 1.750-10 | 2.625 | 6.125 | EY 6-4-4861X Chamfered Counterbore; High angle yoke |
| 2 | 1710 | 1.750-10 | 2.625 | 4.500 | EY 6-4-5581-1X Chamfered Counterbore |
| 2 | 1710 | 1.750-10 | 2.625 | 4.500 | EY 6-4-5581X Chamfered Counterbore |
| 3 | 1410 | 1.750-10 | 2.625 | 4.250 | EY 3-4-2511-1 All ratios except 3.70 & 4.11; .250 deep spline chamfer |
| 3 | 1480 | 1.750-10 | 2.625 | 4.281 | EY 3-4-5791-1X .250 deep spline chamfer; C'bore depth is chamfered |
| 3 | 1550 | 1.750-10 | 2.625 | 4.672 | EY 4-4-3581-1X .250 deep spline chamfer |
| 3 | 1610 | 1.750-10 | 2.625 | 6.000 | EY 5-4-4761X All ratios except 3.70 & 4.11; High angle yoke |
| 3 | 1610 | 1.962-10 | 2.625 | 6.000 | EY 5-4-4771X 3.70 & 4.11 ratios only; High angle yoke |
| 3 | 1610 | 1.750-10 | 2.625 | 4.750 | EY 5-4-5111X All ratios except 3.70 & 4.11 |
| 3 | 1610 | 1.962-10 | 2.625 | 4.719 | EY 5-4-5121X |
| 3 | 1710 | 1.962-10 | 2.625 | 6.125 | EY 6-4-4151 Chamfered Counterbore; High angle yoke |
| 3 | 1710 | 1.962-10 | 2.625 | 6.125 | EY 6-4-4151-1 Chamfered Counterbore; High angle yoke |
| 3 | 1710 | 1.750-10 | 2.625 | 5.250 | EY 6-4-4301X All ratios except 3.70 & 4.11; Chamfered Counterbore |
| 3 | 1710 | 1.962-10 | 2.625 | 6.125 | EY 6-4-4851-1X 3.70 & 4.11 ratios only; Chamfered Counterbore; High angle yoke |
| 3 | 1710 | 1.962-10 | 2.625 | 6.125 | EY 6-4-4851X 3.70 & 4.11 ratios only; Chamfered Counterbore; High angle yoke |
| 3 | 1710 | 1.750-10 | 2.625 | 6.125 | EY 6-4-4861X All ratios except 3.70 & 4.11; Chamfered Counterbore; High angle yoke |
| 3 | 1710 | 1.962-10 | 2.625 | 5.250 | EY 6-4-5151X 3.70 & 4.11 ratios only; Chamfered Counterbore |
| 3 | 1710 | 1.750-10 | 2.625 | 4.500 | EY 6-4-5581-1X All ratios except 3.70 & 4.11; Chamfered Counterbore |

| | | | | | |
|--------------|------|----------|-------|-------|---------------------------------|
| 44-DP | | | | | |
| 1 | 1610 | 2.422-18 | 3.375 | 6.125 | EY 5-4-5491-1X |
| 1 | 1710 | 2.422-18 | 3.375 | 5.250 | EY 6-4-3161 |
| 1 | 1710 | 2.422-18 | 3.375 | 5.812 | EY 6-4-4581 |
| 1 | 1710 | 2.422-18 | 3.375 | 5.812 | EY 6-4-4581-1 |
| 1 | 1710 | 2.422-18 | 3.375 | 5.812 | EY 6-4-4751-1X |
| 1 | 1710 | 2.422-18 | 3.375 | 5.812 | EY 6-4-4751X |
| 1 | 1760 | 2.422-18 | 3.375 | 6.000 | EY 6.3-4-241-1X |
| 1 | 1760 | 2.422-18 | 3.375 | 6.000 | EY 6.3-4-241X |
| 1 | 1810 | 2.422-18 | 3.375 | 5.812 | EY 6.5-4-1991 |
| 1 | 1810 | 2.422-18 | 3.375 | 5.812 | EY 6.5-4-1991-1 |
| 1 | 1810 | 2.422-18 | 3.375 | 5.812 | EY 6.5-4-2361-1X |
| 1 | 1810 | 2.422-18 | 3.375 | 5.812 | EY 6.5-4-2361X |
| 2 | 1610 | 2.149-16 | 2.938 | 6.250 | EY 5-4-5161-1X |
| 2 | 1610 | 2.149-16 | 2.938 | 6.250 | EY 5-4-5161X High angle yoke |
| 2 | 1610 | 2.149-16 | 2.938 | 6.500 | EY 5-4-5511X High angle yoke |
| 2 | 1710 | 2.149-16 | 2.938 | 5.500 | EY 6-4-4171-1X |
| 2 | 1710 | 2.149-16 | 2.938 | 5.500 | EY 6-4-4171X |
| 2 | 1710 | 2.149-16 | 2.938 | 6.625 | EY 6-4-4591 High angle yoke |
| 2 | 1710 | 2.149-16 | 2.938 | 6.625 | EY 6-4-5481X High angle yoke |

Continued on next page

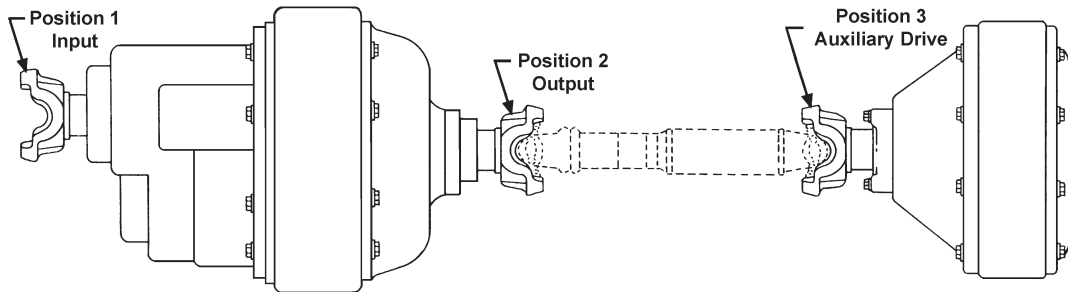
*C/L to End of Hub for EY (End Yoke); Flange Face to End of Hub for CF (Companion Flange)

■ Hub machined for speedometer gear



Important: See Safety Information in General Information Section (J300P-GI)

TANDEM AXLES



| Pos | Series | Spline Data | Hub Dia | * to End of Hub | End Fitting Part Number |
|-----|--------|-------------|---------|-----------------|-------------------------|
|-----|--------|-------------|---------|-----------------|-------------------------|

44-DP (Continued)

| | | | | | |
|---|------|----------|-------|-------|--|
| 2 | 1760 | 2.149-16 | 2.938 | 5.812 | EY 6.3-4-141-1 |
| 2 | 1760 | 2.149-16 | 2.938 | 5.812 | EY 6.3-4-251-1X |
| 2 | 1760 | 2.149-16 | 2.938 | 5.812 | EY 6.3-4-251X |
| 2 | 1810 | 2.149-16 | 2.938 | 5.812 | EY 6.5-4-2291 |
| 2 | 1810 | 2.149-16 | 2.938 | 5.812 | EY 6.5-4-2291-1 |
| 2 | 1810 | 2.149-16 | 2.938 | 5.812 | EY 6.5-4-2401-1X |
| 2 | 1810 | 2.149-16 | 2.938 | 5.812 | EY 6.5-4-2401X |
| 3 | 1610 | 2.149-16 | 2.938 | 6.250 | EY 5-4-5161-1X |
| 3 | 1610 | 2.149-16 | 2.938 | 6.250 | EY 5-4-5161X <i>High angle yoke</i> |
| 3 | 1610 | 2.149-16 | 2.938 | 6.500 | EY 5-4-5511X <i>High angle yoke</i> |
| 3 | 1710 | 2.149-16 | 2.938 | 5.500 | EY 6-4-4171-1X |
| 3 | 1710 | 2.149-16 | 2.938 | 5.500 | EY 6-4-4171X |
| 3 | 1710 | 2.149-16 | 2.938 | 6.625 | EY 6-4-5481X <i>High angle yoke</i> |
| 3 | 1710 | 2.149-16 | 2.938 | 6.625 | EY 6-4-9841-1X <i>High angle yoke</i> |
| 3 | 1710 | 2.149-16 | 2.938 | 6.625 | EY 6-4-9841X <i>High angle yoke</i> |
| 3 | 1760 | 2.149-16 | 2.938 | 5.812 | EY 6.3-4-141-1 |
| 3 | 1760 | 2.149-16 | 2.938 | 5.812 | EY 6.3-4-251-1X |
| 3 | 1760 | 2.149-16 | 2.938 | 5.812 | EY 6.3-4-251X |
| 3 | 1810 | 2.149-16 | 2.938 | 5.812 | EY 6.5-4-2291 |
| 3 | 1810 | 2.149-16 | 2.938 | 5.812 | EY 6.5-4-2291-1 |
| 3 | 1810 | 2.149-16 | 2.938 | 5.812 | EY 6.5-4-2401-1X |
| 3 | 1810 | 2.149-16 | 2.938 | 5.812 | EY 6.5-4-2401X |

44-DS

| | | | | | |
|---|------|----------|-------|-------|--|
| 1 | 1610 | 2.422-18 | 3.375 | 6.125 | EY 5-4-5491-1X |
| 1 | 1710 | 2.422-18 | 3.375 | 5.250 | EY 6-4-3161 |
| 1 | 1710 | 2.422-18 | 3.375 | 5.812 | EY 6-4-4581 |
| 1 | 1710 | 2.422-18 | 3.375 | 5.812 | EY 6-4-4581-1 |
| 1 | 1710 | 2.422-18 | 3.375 | 5.812 | EY 6-4-4751-1X |
| 1 | 1710 | 2.422-18 | 3.375 | 5.812 | EY 6-4-4751X |
| 1 | 1760 | 2.422-18 | 3.375 | 6.000 | EY 6.3-4-241-1X |
| 1 | 1760 | 2.422-18 | 3.375 | 6.000 | EY 6.3-4-241X |
| 1 | 1810 | 2.422-18 | 3.375 | 5.812 | EY 6.5-4-1991 |
| 1 | 1810 | 2.422-18 | 3.375 | 5.812 | EY 6.5-4-1991-1 |
| 1 | 1810 | 2.422-18 | 3.375 | 5.812 | EY 6.5-4-2361-1X |
| 1 | 1810 | 2.422-18 | 3.375 | 5.812 | EY 6.5-4-2361X |
| 2 | 1610 | 2.149-16 | 2.938 | 6.250 | EY 5-4-5161-1X |
| 2 | 1610 | 2.149-16 | 2.938 | 6.250 | EY 5-4-5161X <i>High angle yoke</i> |
| 2 | 1610 | 2.149-16 | 2.938 | 6.500 | EY 5-4-5511X <i>High angle yoke</i> |
| 2 | 1710 | 2.149-16 | 2.938 | 5.500 | EY 6-4-4171-1X |
| 2 | 1710 | 2.149-16 | 2.938 | 5.500 | EY 6-4-4171X |
| 2 | 1710 | 2.149-16 | 2.938 | 6.625 | EY 6-4-4591 <i>High angle yoke</i> |
| 2 | 1710 | 2.149-16 | 2.938 | 6.625 | EY 6-4-5481X <i>High angle yoke</i> |

| Pos | Series | Spline Data | Hub Dia | * to End of Hub | End Fitting Part Number |
|-----|--------|-------------|---------|-----------------|-------------------------|
|-----|--------|-------------|---------|-----------------|-------------------------|

44-DS (Continued)

| | | | | | |
|---|------|----------|-------|-------|--|
| 2 | 1710 | 2.149-16 | 2.938 | 6.625 | EY 6-4-5481X <i>High angle yoke</i> |
| 2 | 1760 | 2.149-16 | 2.938 | 5.812 | EY 6.3-4-141-1 |
| 2 | 1760 | 2.149-16 | 2.938 | 5.812 | EY 6.3-4-251-1X |
| 2 | 1760 | 2.149-16 | 2.938 | 5.812 | EY 6.3-4-251X |
| 2 | 1810 | 2.149-16 | 2.938 | 5.812 | EY 6.5-4-2291 |
| 2 | 1810 | 2.149-16 | 2.938 | 5.812 | EY 6.5-4-2291-1 |
| 2 | 1810 | 2.149-16 | 2.938 | 5.812 | EY 6.5-4-2401-1X |
| 2 | 1810 | 2.149-16 | 2.938 | 5.812 | EY 6.5-4-2401X |
| 3 | 1610 | 2.149-16 | 2.938 | 6.250 | EY 5-4-5161-1X |
| 3 | 1610 | 2.149-16 | 2.938 | 6.250 | EY 5-4-5161X <i>High angle yoke</i> |
| 3 | 1610 | 2.149-16 | 2.938 | 6.500 | EY 5-4-5511X <i>High angle yoke</i> |
| 3 | 1710 | 2.149-16 | 2.938 | 5.500 | EY 6-4-4171-1X |
| 3 | 1710 | 2.149-16 | 2.938 | 5.500 | EY 6-4-4171X |
| 3 | 1710 | 2.149-16 | 2.938 | 6.625 | EY 6-4-5481X <i>High angle yoke</i> |
| 3 | 1760 | 2.149-16 | 2.938 | 5.812 | EY 6.3-4-141-1 |
| 3 | 1760 | 2.149-16 | 2.938 | 5.812 | EY 6.3-4-251-1X |
| 3 | 1760 | 2.149-16 | 2.938 | 5.812 | EY 6.3-4-251X |
| 3 | 1810 | 2.149-16 | 2.938 | 5.812 | EY 6.5-4-2291 |
| 3 | 1810 | 2.149-16 | 2.938 | 5.812 | EY 6.5-4-2291-1 |
| 3 | 1810 | 2.149-16 | 2.938 | 5.812 | EY 6.5-4-2401-1X |
| 3 | 1810 | 2.149-16 | 2.938 | 5.812 | EY 6.5-4-2401X |

44-DT, 44-RP, 44-RS

| | | | | | |
|---|------|----------|-------|-------|--|
| 1 | 1610 | 2.422-18 | 3.375 | 6.125 | EY 5-4-5491-1X |
| 1 | 1710 | 2.422-18 | 3.375 | 5.250 | EY 6-4-3161 |
| 1 | 1710 | 2.422-18 | 3.375 | 5.812 | EY 6-4-4581 |
| 1 | 1710 | 2.422-18 | 3.375 | 5.812 | EY 6-4-4581-1 |
| 1 | 1710 | 2.422-18 | 3.375 | 5.812 | EY 6-4-4751-1X |
| 1 | 1710 | 2.422-18 | 3.375 | 5.812 | EY 6-4-4751X |
| 1 | 1760 | 2.422-18 | 3.375 | 6.000 | EY 6.3-4-241-1X |
| 1 | 1760 | 2.422-18 | 3.375 | 6.000 | EY 6.3-4-241X |
| 1 | 1810 | 2.422-18 | 3.375 | 5.812 | EY 6.5-4-1991 |
| 1 | 1810 | 2.422-18 | 3.375 | 5.812 | EY 6.5-4-1991-1 |
| 1 | 1810 | 2.422-18 | 3.375 | 5.812 | EY 6.5-4-2361-1X |
| 2 | 1610 | 2.149-16 | 2.938 | 6.250 | EY 5-4-5161-1X |
| 2 | 1610 | 2.149-16 | 2.938 | 6.250 | EY 5-4-5161X <i>High angle yoke</i> |
| 2 | 1610 | 2.149-16 | 2.938 | 6.500 | EY 5-4-5511X <i>High angle yoke</i> |
| 2 | 1710 | 2.149-16 | 2.938 | 5.500 | EY 6-4-4171-1X |
| 2 | 1710 | 2.149-16 | 2.938 | 5.500 | EY 6-4-4171X |
| 2 | 1710 | 2.149-16 | 2.938 | 6.625 | EY 6-4-4591 <i>High angle yoke</i> |
| 2 | 1710 | 2.149-16 | 2.938 | 6.625 | EY 6-4-5481X <i>High angle yoke</i> |

*C/L to End of Hub for EY (End Yoke); Flange Face to End of Hub for CF (Companion Flange)

■ Hub machined for speedometer gear



| Pos | Series | Spline Data | Hub Dia | * to End of Hub | End Fitting Part Number |
|--|--------|-------------|---------|-----------------|-------------------------|
| 44-DT, 44-RP, 44-RS (Continued) | | | | | |
| 2 | 1760 | 2.149-16 | 2.938 | 5.812 | EY 6.3-4-141-1 |
| 2 | 1760 | 2.149-16 | 2.938 | 5.812 | EY 6.3-4-251-1X |
| 2 | 1760 | 2.149-16 | 2.938 | 5.812 | EY 6.3-4-251X |
| 2 | 1810 | 2.149-16 | 2.938 | 5.812 | EY 6.5-4-2291 |
| 2 | 1810 | 2.149-16 | 2.938 | 5.812 | EY 6.5-4-2291-1 |
| 2 | 1810 | 2.149-16 | 2.938 | 5.812 | EY 6.5-4-2401-1X |
| 2 | 1810 | 2.149-16 | 2.938 | 5.812 | EY 6.5-4-2401X |
| 3 | 1610 | 2.149-16 | 2.938 | 6.250 | EY 5-4-5161-1X |
| 3 | 1610 | 2.149-16 | 2.938 | 6.250 | EY 5-4-5161X |
| | | | | | <i>High angle yoke</i> |
| 3 | 1610 | 2.149-16 | 2.938 | 6.500 | EY 5-4-5511X |
| | | | | | <i>High angle yoke</i> |
| 3 | 1710 | 2.149-16 | 2.938 | 5.500 | EY 6-4-4171-1X |
| 3 | 1710 | 2.149-16 | 2.938 | 5.500 | EY 6-4-4171X |
| 3 | 1710 | 2.149-16 | 2.938 | 6.625 | EY 6-4-5481X |
| | | | | | <i>High angle yoke</i> |
| 3 | 1760 | 2.149-16 | 2.938 | 5.812 | EY 6.3-4-141-1 |
| 3 | 1760 | 2.149-16 | 2.938 | 5.812 | EY 6.3-4-251-1X |
| 3 | 1760 | 2.149-16 | 2.938 | 5.812 | EY 6.3-4-251X |
| 3 | 1810 | 2.149-16 | 2.938 | 5.812 | EY 6.5-4-2291 |
| 3 | 1810 | 2.149-16 | 2.938 | 5.812 | EY 6.5-4-2291-1 |
| 3 | 1810 | 2.149-16 | 2.938 | 5.812 | EY 6.5-4-2401-1X |
| 3 | 1810 | 2.149-16 | 2.938 | 5.812 | EY 6.5-4-2401X |

| | | | | | |
|--------------|------|----------|-------|-------|---|
| 45-MR | | | | | |
| 2 | 1550 | 1.962-10 | 2.625 | 4.266 | EY 4-4-4071-1X |
| 2 | 1610 | 1.962-10 | 2.625 | 5.312 | EY 5-4-4471-1 |
| 2 | 1710 | 1.962-10 | 2.625 | 4.500 | EY 6-4-4731X |
| | | | | | <i>Chamfered Counterbore</i> |
| 2 | 1710 | 1.962-10 | 2.625 | 6.125 | EY 6-4-4851X |
| | | | | | <i>Chamfered Counterbore; High angle yoke</i> |
| 2 | 1810 | 1.964-10 | 2.625 | 5.625 | EY 6.5-4-2351X |
| | | | | | <i>Chamfered Counterbore</i> |
| 3 | 1550 | 1.962-10 | 2.625 | 4.266 | EY 4-4-4071-1X |
| 3 | 1610 | 1.962-10 | 2.625 | 5.312 | EY 5-4-4471-1 |
| 3 | 1710 | 1.962-10 | 2.625 | 4.500 | EY 6-4-4731X |
| | | | | | <i>Chamfered Counterbore</i> |
| 3 | 1710 | 1.962-10 | 2.625 | 6.125 | EY 6-4-4851X |
| | | | | | <i>Chamfered Counterbore; High angle yoke</i> |
| 3 | 1810 | 1.964-10 | 2.625 | 5.625 | EY 6.5-4-2351X |
| | | | | | <i>Chamfered Counterbore</i> |

| | | | | | |
|------------|------|----------|-------|-------|---|
| 50D | | | | | |
| 1 | 1550 | 1.962-10 | 2.625 | 4.266 | EY 4-4-4071-1X |
| 1 | 1610 | 1.962-10 | 2.625 | 5.312 | EY 5-4-4471-1 |
| 1 | 1610 | 1.962-10 | 2.625 | 6.000 | EY 5-4-4771X |
| | | | | | <i>High angle yoke</i> |
| 1 | 1610 | 1.962-10 | 2.625 | 4.719 | EY 5-4-5121X |
| 1 | 1610 | 2.274-44 | 2.938 | 5.000 | EY 5-4-6381-1X |
| 1 | 1610 | 2.274-44 | 2.938 | 5.000 | EY 5-4-6381X |
| 1 | 1710 | 1.964-10 | 2.625 | 4.500 | EY 6-4-2211 |
| | | | | | <i>Chamfered Counterbore</i> |
| 1 | 1710 | 1.962-10 | 2.625 | 4.500 | EY 6-4-4731-1X |
| | | | | | <i>Chamfered Counterbore</i> |
| 1 | 1710 | 1.962-10 | 2.625 | 4.500 | EY 6-4-4731X |
| | | | | | <i>Chamfered Counterbore</i> |
| 1 | 1710 | 1.962-10 | 2.625 | 6.125 | EY 6-4-4851-1X |
| | | | | | <i>Chamfered Counterbore; High angle yoke</i> |
| 1 | 1710 | 1.962-10 | 2.625 | 6.125 | EY 6-4-4851X |
| | | | | | <i>Chamfered Counterbore; High angle yoke</i> |
| 1 | 1710 | 2.149-16 | 2.938 | 5.188 | EY 6-4-4961 |
| 1 | 1710 | 2.149-16 | 2.938 | 5.188 | EY 6-4-5061X |
| 1 | 1710 | 1.962-10 | 2.625 | 5.250 | EY 6-4-5151X |
| | | | | | <i>Chamfered Counterbore</i> |

| Pos | Series | Spline Data | Hub Dia | * to End of Hub | End Fitting Part Number |
|------------------------|--------|-------------|---------|-----------------|--|
| 50D (Continued) | | | | | |
| 1 | 1710 | 2.274-44 | 2.938 | 5.188 | EY 6-4-6041-1X |
| 1 | 1710 | 2.274-44 | 2.938 | 5.188 | EY 6-4-6041X |
| 1 | 1760 | 1.964-10 | 2.625 | 5.625 | EY 6.3-4-221X |
| | | | | | <i>Chamfered Counterbore</i> |
| 1 | 1760 | 2.149-16 | 2.938 | 5.250 | EY 6.3-4-231X |
| 1 | 1760 | 2.274-44 | 2.938 | 5.250 | EY 6.3-4-331-1X |
| 1 | 1760 | 2.274-44 | 2.938 | 5.250 | EY 6.3-4-331X |
| 1 | 1810 | 1.964-10 | 2.625 | 5.625 | EY 6.5-4-2351X |
| | | | | | <i>Chamfered Counterbore</i> |
| 1 | 1810 | 2.274-44 | 2.938 | 5.250 | EY 6.5-4-3281-1X |
| 1 | 1810 | 2.274-44 | 2.938 | 5.250 | EY 6.5-4-3281X |
| 2 | 1410 | 1.750-10 | 2.625 | 4.250 | EY 3-4-2511-1 |
| | | | | | <i>.250 deep spline chamfer</i> |
| 2 | 1480 | 1.750-10 | 2.625 | 4.281 | EY 3-4-5791-1X |
| | | | | | <i>.250 deep spline chamfer; C'bore depth is chamfered</i> |
| 2 | 1550 | 1.750-10 | 2.625 | 4.672 | EY 4-4-3581-1X |
| | | | | | <i>.250 deep spline chamfer</i> |
| 2 | 1610 | 1.750-10 | 2.625 | 6.000 | EY 5-4-4761X |
| | | | | | <i>High angle yoke</i> |
| 2 | 1610 | 1.962-10 | 2.625 | 6.000 | EY 5-4-4771X |
| | | | | | <i>High angle yoke</i> |
| 2 | 1610 | 1.750-10 | 2.625 | 4.750 | EY 5-4-5111X |
| 2 | 1610 | 1.790-34 | 2.625 | 4.938 | EY 5-4-6341 |
| 2 | 1610 | 1.790-34 | 2.625 | 6.188 | EY 5-4-6351 |
| | | | | | <i>High angle yoke</i> |
| 2 | 1710 | 1.750-10 | 2.625 | 5.250 | EY 6-4-4301X |
| | | | | | <i>Chamfered Counterbore</i> |
| 2 | 1710 | 1.962-10 | 2.625 | 6.125 | EY 6-4-4851X |
| | | | | | <i>Chamfered Counterbore; High angle yoke</i> |
| 2 | 1710 | 1.750-10 | 2.625 | 6.125 | EY 6-4-4861X |
| | | | | | <i>Chamfered Counterbore; High angle yoke</i> |
| 2 | 1710 | 1.962-10 | 2.625 | 5.250 | EY 6-4-5151X |
| | | | | | <i>Chamfered Counterbore</i> |
| 2 | 1710 | 1.750-10 | 2.625 | 4.500 | EY 6-4-5581-1X |
| | | | | | <i>Chamfered Counterbore</i> |
| 2 | 1710 | 1.750-10 | 2.625 | 4.500 | EY 6-4-5581X |
| | | | | | <i>Chamfered Counterbore</i> |
| 2 | 1710 | 1.790-34 | 2.625 | 6.312 | EY 6-4-6451 |
| | | | | | <i>High angle yoke</i> |
| 2 | 1710 | 1.790-34 | 2.625 | 5.438 | EY 6-4-6481 |
| 3 | 1410 | 1.750-10 | 2.625 | 4.250 | EY 3-4-2511-1 |
| | | | | | <i>All ratios except 3.70 & 4.11; .250 deep spline chamfer</i> |
| 3 | 1480 | 1.750-10 | 2.625 | 4.281 | EY 3-4-5791-1X |
| | | | | | <i>.250 deep spline chamfer; C'bore depth is chamfered</i> |
| 3 | 1550 | 1.750-10 | 2.625 | 4.672 | EY 4-4-3581-1X |
| | | | | | <i>.250 deep spline chamfer</i> |
| 3 | 1610 | 1.750-10 | 2.625 | 6.000 | EY 5-4-4761X |
| | | | | | <i>All ratios except 3.70 & 4.11; High angle yoke</i> |
| 3 | 1610 | 1.962-10 | 2.625 | 6.000 | EY 5-4-4771X |
| | | | | | <i>3.70 & 4.11 ratios only; High angle yoke</i> |
| 3 | 1610 | 1.750-10 | 2.625 | 4.750 | EY 5-4-5111X |
| | | | | | <i>All ratios except 3.70 & 4.11</i> |
| 3 | 1610 | 1.962-10 | 2.625 | 4.719 | EY 5-4-5121X |
| | | | | | <i>3.70 & 4.11 ratios only</i> |
| 3 | 1710 | 1.962-10 | 2.625 | 6.125 | EY 6-4-4151-1 |
| | | | | | <i>Chamfered Counterbore; High angle yoke</i> |
| 3 | 1710 | 1.750-10 | 2.625 | 5.250 | EY 6-4-4301X |
| | | | | | <i>All ratios except 3.70 & 4.11; Chamfered Counterbore</i> |
| 3 | 1710 | 1.962-10 | 2.625 | 6.125 | EY 6-4-4851-1X |
| | | | | | <i>3.70 & 4.11 ratios only; Chamfered Counterbore; High angle yoke</i> |
| 3 | 1710 | 1.962-10 | 2.625 | 6.125 | EY 6-4-4851X |
| | | | | | <i>3.70 & 4.11 ratios only; Chamfered Counterbore; High angle yoke</i> |

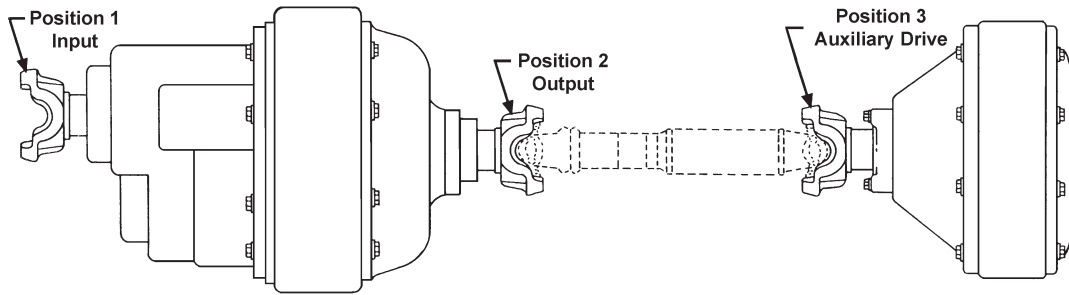
Continued on next page

*C/L to End of Hub for EY (End Yoke); Flange Face to End of Hub for CF (Companion Flange)

■ Hub machined for speedometer gear



Important: See Safety Information in General Information Section (J300P-GI)



| Pos | Series | Spline Data | Hub Dia | * to End of Hub | End Fitting Part Number |
|-----|--------|-------------|---------|-----------------|-------------------------|
|-----|--------|-------------|---------|-----------------|-------------------------|

50D (Continued)

| | | | | | |
|--|------|----------|-------|-------|----------------|
| 3 | 1710 | 1.750-10 | 2.625 | 6.125 | EY 6-4-4861X |
| <i>All ratios except 3.70 & 4.11; Chamfered Counterbore; High angle yoke</i> | | | | | |
| 3 | 1710 | 1.962-10 | 2.625 | 5.250 | EY 6-4-5141 |
| <i>Chamfered Counterbore</i> | | | | | |
| 3 | 1710 | 1.962-10 | 2.625 | 5.250 | EY 6-4-5151X |
| <i>3.70 & 4.11 ratios only; Chamfered Counterbore</i> | | | | | |
| 3 | 1710 | 1.750-10 | 2.625 | 4.500 | EY 6-4-5581-1X |
| <i>All ratios except 3.70 & 4.11; Chamfered Counterbore</i> | | | | | |
| 3 | 1710 | 1.750-10 | 2.625 | 4.500 | EY 6-4-5581X |
| <i>All ratios except 3.70 & 4.11; Chamfered Counterbore</i> | | | | | |

50R

| | | | | | |
|---|------|----------|-------|-------|------------------|
| 1 | 1610 | 2.274-44 | 2.938 | 5.000 | EY 5-4-6381-1X |
| 1 | 1610 | 2.274-44 | 2.938 | 5.000 | EY 5-4-6381X |
| 1 | 1710 | 2.149-16 | 2.938 | 5.188 | EY 6-4-5061X |
| 1 | 1710 | 2.274-44 | 2.938 | 5.188 | EY 6-4-6041-1X |
| 1 | 1710 | 2.274-44 | 2.938 | 5.188 | EY 6-4-6041X |
| 1 | 1760 | 2.149-16 | 2.938 | 5.250 | EY 6-3-4-231X |
| 1 | 1760 | 2.274-44 | 2.938 | 5.250 | EY 6-3-4-331-1X |
| 1 | 1760 | 2.274-44 | 2.938 | 5.250 | EY 6-3-4-331X |
| 1 | 1810 | 2.274-44 | 2.938 | 5.250 | EY 6-5-4-3281-1X |
| 1 | 1810 | 2.274-44 | 2.938 | 5.250 | EY 6-5-4-3281X |
| 2 | 1610 | 1.962-10 | 2.625 | 6.000 | EY 5-4-4771X |
| <i>High angle yoke</i> | | | | | |
| 2 | 1610 | 1.790-34 | 2.625 | 4.938 | EY 5-4-6341 |
| 2 | 1610 | 1.790-34 | 2.625 | 6.188 | EY 5-4-6351 |
| <i>High angle yoke</i> | | | | | |
| 2 | 1710 | 1.962-10 | 2.625 | 6.125 | EY 6-4-4851X |
| <i>Chamfered Counterbore; High angle yoke</i> | | | | | |
| 2 | 1710 | 1.962-10 | 2.625 | 5.250 | EY 6-4-5151X |
| <i>Chamfered Counterbore</i> | | | | | |
| 2 | 1710 | 1.790-34 | 2.625 | 6.312 | EY 6-4-6451 |
| <i>High angle yoke</i> | | | | | |
| 2 | 1710 | 1.790-34 | 2.625 | 5.438 | EY 6-4-6481 |
| 3 | 1610 | 1.750-10 | 2.625 | 6.000 | EY 5-4-4761X |
| <i>High angle yoke</i> | | | | | |
| 3 | 1610 | 2.024-39 | 2.625 | 6.000 | EY 5-4-5971X |
| <i>High angle yoke</i> | | | | | |
| 3 | 1610 | 2.024-39 | 2.625 | 5.312 | EY 5-4-5991X |
| 3 | 1710 | 1.750-10 | 2.625 | 5.250 | EY 6-4-4301X |
| <i>Chamfered Counterbore</i> | | | | | |
| 3 | 1710 | 1.750-10 | 2.625 | 6.125 | EY 6-4-4861X |
| <i>Chamfered Counterbore; High angle yoke</i> | | | | | |
| 3 | 1710 | 2.024-39 | 2.625 | 5.250 | EY 6-4-6001X |
| <i>Chamfered Counterbore</i> | | | | | |
| 3 | 1710 | 2.024-39 | 2.625 | 6.125 | EY 6-4-6021X |
| <i>High angle yoke; Chamfered Counterbore</i> | | | | | |

280

| | | | | | |
|---|------|----------|-------|-------|----------------|
| 3 | 1710 | 1.962-10 | 2.625 | 6.125 | EY 6-4-4851-1X |
| <i>Chamfered Counterbore; High angle yoke</i> | | | | | |

| Pos | Series | Spline Data | Hub Dia | * to End of Hub | End Fitting Part Number |
|-----|--------|-------------|---------|-----------------|-------------------------|
|-----|--------|-------------|---------|-----------------|-------------------------|

340

| | | | | | |
|--|------|----------|-------|-------|------------------|
| 1 | 1550 | 1.962-10 | 2.625 | 4.266 | EY 4-4-4071-1X |
| 1 | 1610 | 1.962-10 | 2.625 | 5.312 | EY 5-4-4471-1 |
| 1 | 1610 | 1.962-10 | 2.625 | 6.000 | EY 5-4-4771X |
| <i>High angle yoke</i> | | | | | |
| 1 | 1610 | 1.962-10 | 2.625 | 4.719 | EY 5-4-5121X |
| 1 | 1710 | 1.964-10 | 2.625 | 4.500 | EY 6-4-2211 |
| <i>Chamfered Counterbore</i> | | | | | |
| 1 | 1710 | 1.962-10 | 2.625 | 4.500 | EY 6-4-4731-1X |
| <i>Chamfered Counterbore</i> | | | | | |
| 1 | 1710 | 1.962-10 | 2.625 | 4.500 | EY 6-4-4731X |
| <i>Chamfered Counterbore</i> | | | | | |
| 1 | 1710 | 1.962-10 | 2.625 | 6.125 | EY 6-4-4851-1X |
| <i>Chamfered Counterbore; High angle yoke</i> | | | | | |
| 1 | 1710 | 1.962-10 | 2.625 | 6.125 | EY 6-4-4851X |
| <i>Chamfered Counterbore; High angle yoke</i> | | | | | |
| 1 | 1710 | 2.149-16 | 2.938 | 5.188 | EY 6-4-4961 |
| 1 | 1710 | 2.149-16 | 2.938 | 5.188 | EY 6-4-5061X |
| 1 | 1710 | 1.962-10 | 2.625 | 5.250 | EY 6-4-5151X |
| <i>Chamfered Counterbore</i> | | | | | |
| 1 | 1710 | 2.114-32 | 3.000 | 4.562 | EY 6-4-5811 |
| 1 | 1710 | 2.114-32 | 3.000 | 4.562 | EY 6-4-7221X |
| 1 | 1710 | 2.274-44 | 2.938 | 5.188 | EY 6-4-8551X |
| 1 | 1760 | 2.274-44 | 2.938 | 5.250 | EY 6-3-4-1481X |
| 1 | 1760 | 2.114-32 | 3.000 | 5.000 | EY 6-3-4-1511-1 |
| 1 | 1760 | 2.114-32 | 3.000 | 5.000 | EY 6-3-4-1521-1X |
| 1 | 1760 | 1.964-10 | 2.625 | 5.625 | EY 6-3-4-221X |
| <i>Chamfered Counterbore</i> | | | | | |
| 1 | 1760 | 2.149-16 | 2.938 | 5.250 | EY 6-3-4-231X |
| 1 | 1810 | 1.964-10 | 2.625 | 5.625 | EY 6-5-4-2351X |
| <i>Chamfered Counterbore</i> | | | | | |
| 1 | 1810 | 2.274-44 | 2.938 | 5.250 | EY 6-5-4-4351X |
| 1 | 1810 | 2.114-32 | 3.000 | 5.000 | EY 6-5-4-4451-1 |
| 1 | 1810 | 2.114-32 | 3.000 | 5.000 | EY 6-5-4-4461-1X |
| 2 | 1410 | 1.750-10 | 2.625 | 4.250 | EY 3-4-2511-1 |
| <i>.250 deep spline chamfer</i> | | | | | |
| 2 | 1480 | 1.750-10 | 2.625 | 4.281 | EY 3-4-5791-1X |
| <i>.250 deep spline chamfer; C'bore depth is chamfered</i> | | | | | |
| 2 | 1550 | 1.750-10 | 2.625 | 4.672 | EY 4-4-3581-1X |
| <i>.250 deep spline chamfer</i> | | | | | |
| 2 | 1610 | 1.750-10 | 2.625 | 6.000 | EY 5-4-4761X |
| <i>High angle yoke</i> | | | | | |
| 2 | 1610 | 1.962-10 | 2.625 | 6.000 | EY 5-4-4771X |
| <i>High angle yoke</i> | | | | | |
| 2 | 1610 | 1.750-10 | 2.625 | 4.750 | EY 5-4-5111X |
| 2 | 1610 | 1.790-34 | 2.625 | 6.188 | EY 5-4-8441X |
| <i>High angle yoke</i> | | | | | |
| 2 | 1710 | 1.750-10 | 2.625 | 5.250 | EY 6-4-4301X |
| <i>Chamfered Counterbore</i> | | | | | |
| 2 | 1710 | 1.962-10 | 2.625 | 6.125 | EY 6-4-4851X |
| <i>Chamfered Counterbore; High angle yoke</i> | | | | | |
| 2 | 1710 | 1.750-10 | 2.625 | 6.125 | EY 6-4-4861X |
| <i>Chamfered Counterbore; High angle yoke</i> | | | | | |

*C/L to End of Hub for EY (End Yoke); Flange Face to End of Hub for CF (Companion Flange)

■ Hub machined for speedometer gear



| Pos | Series | Spline Data | Hub Dia | * to End of Hub | End Fitting Part Number |
|------------------------|--------|-------------|---------|-----------------|--|
| 340 (Continued) | | | | | |
| 2 | 1710 | 1.962-10 | 2.625 | 5.250 | EY 6-4-5151X <i>Chamfered Counterbore</i> |
| 2 | 1710 | 1.750-10 | 2.625 | 4.500 | EY 6-4-5581-1X <i>Chamfered Counterbore</i> |
| 2 | 1710 | 1.750-10 | 2.625 | 4.500 | EY 6-4-5581X <i>Chamfered Counterbore</i> |
| 2 | 1710 | 1.790-34 | 2.625 | 5.438 | EY 6-4-8511X |
| 2 | 1710 | 1.790-34 | 2.625 | 6.312 | EY 6-4-8521X <i>High angle yoke</i> |
| 3 | 1410 | 1.750-10 | 2.625 | 4.250 | EY 3-4-2511-1 <i>All ratios except 3.70 & 4.11; .250 deep spline chamfer</i> |
| 3 | 1480 | 1.750-10 | 2.625 | 4.281 | EY 3-4-5791-1X <i>.250 deep spline chamfer; C'bore depth is chamfered</i> |
| 3 | 1550 | 1.750-10 | 2.625 | 4.672 | EY 4-4-3581-1X <i>.250 deep spline chamfer</i> |
| 3 | 1610 | 1.750-10 | 2.625 | 6.000 | EY 5-4-4761X <i>All ratios except 3.70 & 4.11; High angle yoke</i> |
| 3 | 1610 | 1.962-10 | 2.625 | 6.000 | EY 5-4-4771X <i>3.70 & 4.11 ratios only; High angle yoke</i> |
| 3 | 1610 | 1.750-10 | 2.625 | 4.750 | EY 5-4-5111X <i>All ratios except 3.70 & 4.11</i> |
| 3 | 1610 | 1.962-10 | 2.625 | 4.719 | EY 5-4-5121X <i>3.70 & 4.11 ratios only</i> |
| 3 | 1610 | 2.024-39 | 2.625 | 4.719 | EY 5-4-8131-1X |
| 3 | 1610 | 2.024-39 | 2.625 | 5.312 | EY 5-4-8411X |
| 3 | 1610 | 2.024-39 | 2.625 | 6.000 | EY 5-4-8421X <i>High angle yoke</i> |
| 3 | 1710 | 1.962-10 | 2.625 | 6.125 | EY 6-4-4151-1 <i>Chamfered Counterbore; High angle yoke</i> |
| 3 | 1710 | 1.750-10 | 2.625 | 5.250 | EY 6-4-4301X <i>All ratios except 3.70 & 4.11; Chamfered Counterbore</i> |
| 3 | 1710 | 1.962-10 | 2.625 | 6.125 | EY 6-4-4851-1X <i>3.70 & 4.11 ratios only; Chamfered Counterbore; High angle yoke</i> |
| 3 | 1710 | 1.962-10 | 2.625 | 6.125 | EY 6-4-4851X <i>3.70 & 4.11 ratios only; Chamfered Counterbore; High angle yoke</i> |
| 3 | 1710 | 1.750-10 | 2.625 | 6.125 | EY 6-4-4861X <i>All ratios except 3.70 & 4.11; Chamfered Counterbore; High angle yoke</i> |
| 3 | 1710 | 1.962-10 | 2.625 | 5.250 | EY 6-4-5141 <i>Chamfered Counterbore</i> |
| 3 | 1710 | 1.962-10 | 2.625 | 5.250 | EY 6-4-5151X <i>3.70 & 4.11 ratios only; Chamfered Counterbore</i> |
| 3 | 1710 | 1.750-10 | 2.625 | 4.500 | EY 6-4-5581-1X <i>All ratios except 3.70 & 4.11; Chamfered Counterbore</i> |
| 3 | 1710 | 1.750-10 | 2.625 | 4.500 | EY 6-4-5581X <i>All ratios except 3.70 & 4.11; Chamfered Counterbore</i> |
| 3 | 1710 | 2.024-39 | 2.625 | 5.250 | EY 6-4-8531X |
| 3 | 1710 | 2.024-39 | 2.625 | 6.125 | EY 6-4-8541X <i>High angle yoke</i> |

| | | | | | |
|------------|--------|----------|-------|-------|-----------------|
| 341 | | | | | |
| 1 | 1810 | 2.274-44 | 2.938 | 3.094 | CF 6.5-1-2391 |
| 1 | 1810 | 2.274-44 | 2.938 | 3.094 | CF 6.5-1-2401X |
| 1 | SPL170 | 2.274-44 | 2.938 | 5.281 | EY 170-4-101-1X |
| 1 | SPL170 | 2.274-44 | 2.938 | 5.281 | EY 170-4-91-1 |
| 1 | SPL250 | 2.274-44 | 2.938 | 5.484 | EY 250-4-51-1 |
| 1 | SPL250 | 2.274-44 | 2.938 | 5.484 | EY 250-4-61-1X |
| 1 | 1610 | 2.274-44 | 2.938 | 5.000 | EY 5-4-6381-1X |
| 1 | 1610 | 2.274-44 | 2.938 | 5.000 | EY 5-4-6381X |
| 1 | 1610 | 2.274-44 | 2.938 | 5.000 | EY 5-4-8321-1 |
| 1 | 1610 | 2.274-44 | 2.938 | 5.000 | EY 5-4-8431-1X |
| 1 | 1710 | 2.274-44 | 2.938 | 5.188 | EY 6-4-6041-1X |
| 1 | 1710 | 2.274-44 | 2.938 | 5.188 | EY 6-4-6041X |
| 1 | 1710 | 2.274-44 | 2.938 | 5.188 | EY 6-4-8461 |

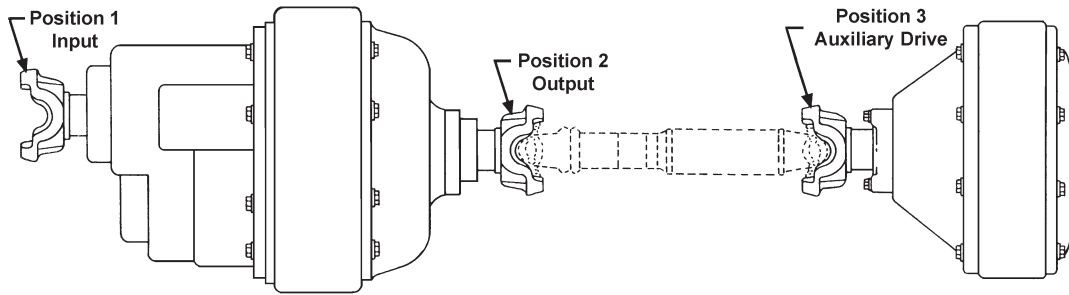
| Pos | Series | Spline Data | Hub Dia | * to End of Hub | End Fitting Part Number |
|------------------------|--------|-------------|---------|-----------------|---|
| 341 (Continued) | | | | | |
| 1 | 1710 | 2.274-44 | 2.938 | 5.188 | EY 6-4-8461-1 |
| 1 | 1710 | 2.274-44 | 2.938 | 5.188 | EY 6-4-8551-1X |
| 1 | 1710 | 2.274-44 | 2.938 | 5.188 | EY 6-4-8551X |
| 1 | 1760 | 2.274-44 | 2.938 | 5.250 | EY 6.3-4-1421 |
| 1 | 1760 | 2.274-44 | 2.938 | 5.250 | EY 6.3-4-1421-1 |
| 1 | 1760 | 2.274-44 | 2.938 | 5.250 | EY 6.3-4-1481-1X |
| 1 | 1760 | 2.274-44 | 2.938 | 5.250 | EY 6.3-4-1481X |
| 1 | 1760 | 2.274-44 | 2.938 | 5.250 | EY 6.3-4-331-1X |
| 1 | 1760 | 2.274-44 | 2.938 | 5.250 | EY 6.3-4-331X |
| 1 | 1810 | 2.274-44 | 2.938 | 5.250 | EY 6.5-4-3281-1X |
| 1 | 1810 | 2.274-44 | 2.938 | 5.250 | EY 6.5-4-3281X |
| 1 | 1810 | 2.274-44 | 2.938 | 5.250 | EY 6.5-4-4321 |
| 1 | 1810 | 2.274-44 | 2.938 | 5.250 | EY 6.5-4-4321-1 |
| 1 | 1810 | 2.274-44 | 2.938 | 5.250 | EY 6.5-4-4351-1X |
| 1 | 1810 | 2.274-44 | 2.938 | 5.250 | EY 6.5-4-4351X |
| 2 | SPL170 | 1.790-34 | 2.625 | 5.600 | EY 170-4-111-1 |
| 2 | SPL170 | 1.790-34 | 2.625 | 5.600 | EY 170-4-121-1X |
| 2 | SPL170 | 1.790-34 | 2.625 | 6.250 | EY 170-4-131-1 <i>High angle yoke</i> |
| 2 | SPL170 | 1.790-34 | 2.625 | 6.250 | EY 170-4-141-1X <i>High angle yoke</i> |
| 2 | 1610 | 1.790-34 | 2.625 | 4.938 | EY 5-4-6341 |
| 2 | 1610 | 1.790-34 | 2.625 | 6.188 | EY 5-4-6351 <i>High angle yoke</i> |
| 2 | 1610 | 1.790-34 | 2.625 | 6.188 | EY 5-4-8001 <i>High angle yoke</i> |
| 2 | 1610 | 1.790-34 | 2.625 | 6.188 | EY 5-4-8441X <i>High angle yoke</i> |
| 2 | 1610 | 1.790-34 | 2.625 | 4.938 | EY 5-4-8491-1 |
| 2 | 1610 | 1.790-34 | 2.625 | 4.938 | EY 5-4-8501-1X |
| 2 | 1710 | 1.790-34 | 2.625 | 6.312 | EY 6-4-6451 <i>High angle yoke</i> |
| 2 | 1710 | 1.790-34 | 2.625 | 6.312 | EY 6-4-6451-1 <i>High angle yoke</i> |
| 2 | 1710 | 1.790-34 | 2.625 | 5.438 | EY 6-4-6481 |
| 2 | 1710 | 1.790-34 | 2.625 | 6.312 | EY 6-4-8001 <i>High angle yoke</i> |
| 2 | 1710 | 1.790-34 | 2.625 | 6.312 | EY 6-4-8001-1 <i>High angle yoke</i> |
| 2 | 1710 | 1.790-34 | 2.625 | 5.438 | EY 6-4-8081 |
| 2 | 1710 | 1.790-34 | 2.625 | 5.438 | EY 6-4-8081-1 |
| 2 | 1710 | 1.790-34 | 2.625 | 6.312 | EY 6-4-8521-1X <i>High angle yoke</i> |
| 2 | 1710 | 1.790-34 | 2.625 | 6.312 | EY 6-4-8521X <i>High angle yoke</i> |
| 3 | SPL140 | 2.024-39 | 2.625 | 5.030 | EY 140-4-551-1 <i>Counterbore at hub end.</i> |
| 3 | SPL140 | 2.024-39 | 2.625 | 5.030 | EY 140-4-561-1X <i>Counterbore at hub end.</i> |
| 3 | SPL170 | 2.024-39 | 2.625 | 4.938 | EY 170-4-151-1 |
| 3 | SPL170 | 2.024-39 | 2.625 | 4.938 | EY 170-4-161-1X |
| 3 | SPL170 | 2.024-39 | 2.625 | 6.016 | EY 170-4-171-1 <i>High angle yoke</i> |
| 3 | SPL170 | 2.024-39 | 2.625 | 6.016 | EY 170-4-181-1X <i>High angle yoke</i> |
| 3 | 1480 | 2.024-39 | 2.625 | 4.344 | EY 3-4-13051-1 |
| 3 | 1480 | 2.024-39 | 2.625 | 4.344 | EY 3-4-13061-1X |
| 3 | 1550 | 2.024-39 | 2.625 | 4.266 | EY 4-4-6471-1 |
| 3 | 1550 | 2.024-39 | 2.625 | 4.266 | EY 4-4-7551-1X |
| 3 | 1610 | 2.024-39 | 2.625 | 6.000 | EY 5-4-5971X <i>High angle yoke</i> |

Continued on next page

*C/L to End of Hub for EY (End Yoke); Flange Face to End of Hub for CF (Companion Flange)

■ Hub machined for speedometer gear





| Pos | Series | Spline Data | Hub Dia | * to End of Hub | End Fitting Part Number |
|-----|--------|-------------|---------|-----------------|-------------------------|
|-----|--------|-------------|---------|-----------------|-------------------------|

341 (Continued)

| | | | | | |
|---|------|----------|-------|-------|---|
| 3 | 1610 | 2.024-39 | 2.625 | 5.312 | EY 5-4-5991X |
| 3 | 1610 | 2.024-39 | 2.625 | 5.312 | EY 5-4-7971 |
| 3 | 1610 | 2.024-39 | 2.625 | 5.312 | EY 5-4-7971-1 |
| 3 | 1610 | 2.024-39 | 2.625 | 4.719 | EY 5-4-7981 |
| 3 | 1610 | 2.024-39 | 2.625 | 6.000 | EY 5-4-7991 <i>High angle yoke</i> |
| 3 | 1610 | 2.024-39 | 2.625 | 4.719 | EY 5-4-8131X |
| 3 | 1610 | 2.024-39 | 2.625 | 6.000 | EY 5-4-8421X <i>High angle yoke</i> |
| 3 | 1710 | 2.024-39 | 2.625 | 5.250 | EY 6-4-6001X <i>Chamfered Counterbore</i> |
| 3 | 1710 | 2.024-39 | 2.625 | 6.125 | EY 6-4-6021-1X <i>High angle yoke; Chamfered Counterbore</i> |
| 3 | 1710 | 2.024-39 | 2.625 | 6.125 | EY 6-4-6021X <i>High angle yoke; Chamfered Counterbore</i> |
| 3 | 1710 | 2.024-39 | 2.625 | 6.125 | EY 6-4-7981 <i>High angle yoke</i> |
| 3 | 1710 | 2.024-39 | 2.625 | 6.125 | EY 6-4-7981-1 <i>High angle yoke</i> |
| 3 | 1710 | 2.024-39 | 2.625 | 5.250 | EY 6-4-7991 |
| 3 | 1710 | 2.024-39 | 2.625 | 5.250 | EY 6-4-7991-1 |
| 3 | 1710 | 2.024-39 | 2.625 | 5.250 | EY 6-4-8231-1X |
| 3 | 1710 | 2.024-39 | 2.625 | 6.125 | EY 6-4-8541-1X <i>High angle yoke</i> |
| 3 | 1710 | 2.024-39 | 2.625 | 6.125 | EY 6-4-8541X <i>High angle yoke</i> |

344

| | | | | | |
|---|--------|----------|-------|-------|--|
| 1 | SPL140 | 2.274-44 | 3.000 | 5.160 | EY 140-4-1261-1 |
| 1 | SPL140 | 2.274-44 | 3.000 | 5.160 | EY 140-4-1271-1X |
| 1 | SPL140 | 2.274-44 | 3.000 | 5.160 | EY 140-4-321-1 |
| 1 | SPL140 | 2.274-44 | 3.000 | 5.160 | EY 140-4-331-1X |
| 1 | SPL170 | 2.274-44 | 3.000 | 5.270 | EY 170-4-1671-1X <i>Counterbore at hub end.</i> |
| 1 | SPL170 | 2.274-44 | 3.000 | 5.270 | EY 170-4-191-1 |
| 1 | SPL170 | 2.274-44 | 3.000 | 5.270 | EY 170-4-201-1X |
| 1 | SPL250 | 2.274-44 | 3.000 | 5.490 | EY 250-4-71-1 |
| 1 | SPL250 | 2.274-44 | 3.000 | 5.490 | EY 250-4-81-1X |
| 1 | 1610 | 2.274-44 | 3.000 | 5.000 | EY 5-4-8311-1 |
| 1 | 1610 | 2.274-44 | 3.000 | 5.000 | EY 5-4-9261-1X |
| 1 | 1710 | 2.274-44 | 3.000 | 5.190 | EY 6-4-8451 |
| 1 | 1710 | 2.274-44 | 3.000 | 5.190 | EY 6-4-8451-1 |
| 1 | 1710 | 2.274-44 | 3.000 | 5.190 | EY 6-4-8981-1X |
| 1 | 1710 | 2.274-44 | 3.000 | 5.190 | EY 6-4-8981X |
| 1 | 1760 | 2.274-44 | 3.000 | 5.250 | EY 6.3-4-1411 |
| 1 | 1760 | 2.274-44 | 3.000 | 5.250 | EY 6.3-4-1411-1 |
| 1 | 1760 | 2.274-44 | 3.000 | 5.250 | EY 6.3-4-5221-1X |
| 1 | 1760 | 2.274-44 | 3.000 | 5.250 | EY 6.3-4-5221X |
| 1 | 1810 | 2.274-44 | 3.000 | 5.250 | EY 6.5-4-4311 |
| 1 | 1810 | 2.274-44 | 3.000 | 5.250 | EY 6.5-4-4311-1 |

| Pos | Series | Spline Data | Hub Dia | * to End of Hub | End Fitting Part Number |
|-----|--------|-------------|---------|-----------------|-------------------------|
|-----|--------|-------------|---------|-----------------|-------------------------|

344 (Continued)

| | | | | | |
|---|--------|----------|-------|-------|---|
| 1 | 1810 | 2.274-44 | 3.000 | 5.250 | EY 6.5-4-4571-1X |
| 1 | 1810 | 2.274-44 | 3.000 | 5.250 | EY 6.5-4-4571X |
| 2 | SPL170 | 2.024-39 | 2.625 | 6.500 | EY 170-4-1651-1X |
| 2 | SPL170 | 2.024-39 | 2.625 | 5.270 | EY 170-4-211-1 <i>High angle yoke</i> |
| 2 | SPL170 | 2.024-39 | 2.625 | 5.266 | EY 170-4-221-1X |
| 2 | SPL170 | 2.024-39 | 2.625 | 6.500 | EY 170-4-231-1 <i>High angle yoke</i> |
| 2 | SPL170 | 2.024-39 | 2.625 | 6.500 | EY 170-4-241-1X <i>High angle yoke</i> |
| 2 | SPL170 | 2.024-39 | 2.625 | 5.750 | EY 5001768 |
| 2 | SPL170 | 2.024-39 | 2.625 | 5.750 | EY 5008578 |
| 2 | 1610 | 2.024-39 | 2.625 | 6.000 | EY 5-4-8301 <i>High angle yoke</i> |
| 2 | 1610 | 2.024-39 | 2.625 | 6.000 | EY 5-4-9271X <i>High angle yoke</i> |
| 2 | 1710 | 2.024-39 | 2.625 | 6.125 | EY 6-4-8431 |
| 2 | 1710 | 2.024-39 | 2.625 | 6.125 | EY 6-4-8431-1 |
| 2 | 1710 | 2.024-39 | 2.625 | 5.250 | EY 6-4-8441 |
| 2 | 1710 | 2.024-39 | 2.625 | 5.250 | EY 6-4-8441-1 |
| 2 | 1710 | 2.024-39 | 2.625 | 6.125 | EY 6-4-9001-1X |
| 2 | 1710 | 2.024-39 | 2.625 | 6.125 | EY 6-4-9001X |
| 2 | 1710 | 2.024-39 | 2.625 | 5.250 | EY 6-4-9041-1X |
| 2 | 1710 | 2.024-39 | 2.625 | 5.250 | EY 6-4-9041X |
| 3 | SPL140 | 2.024-39 | 3.000 | 4.940 | EY 140-4-1151-1 |
| 3 | SPL140 | 2.024-39 | 3.000 | 4.940 | EY 140-4-1161-1X |
| 3 | SPL140 | 2.024-39 | 3.000 | 4.940 | EY 140-4-361-1 |
| 3 | SPL140 | 2.024-39 | 3.000 | 4.940 | EY 140-4-371-1X |
| 3 | SPL170 | 2.024-39 | 3.000 | 5.540 | EY 170-4-08577-1X |
| 3 | SPL170 | 2.024-39 | 3.000 | 6.240 | EY 170-4-1621-1 |
| 3 | SPL170 | 2.024-39 | 3.000 | 6.240 | EY 170-4-1631-1X |
| 3 | SPL170 | 2.024-39 | 2.625 | 6.500 | EY 170-4-1641-1 |
| 3 | SPL170 | 2.274-44 | 3.000 | 5.270 | EY 170-4-1661-1 <i>Counterbore at hub end.</i> |
| 3 | SPL170 | 2.024-39 | 3.000 | 5.156 | EY 170-4-251-1 <i>High angle yoke</i> |
| 3 | SPL170 | 2.024-39 | 3.000 | 5.156 | EY 170-4-261-1X |
| 3 | SPL170 | 2.024-39 | 3.000 | 6.240 | EY 170-4-271-1 <i>High angle yoke</i> |
| 3 | SPL170 | 2.024-39 | 3.000 | 6.240 | EY 170-4-281-1X <i>High angle yoke</i> |
| 3 | SPL170 | 2.024-39 | 3.000 | 5.540 | EY 5001766 |
| 3 | SPL170 | 2.024-39 | 3.000 | 5.540 | EY 5008577 |
| 3 | SPL90 | 2.024-39 | 3.000 | 4.750 | EY 90-4-241-1 |
| 3 | SPL90 | 2.024-39 | 3.000 | 4.750 | EY 90-4-251-1X |
| 3 | 1480 | 2.024-39 | 3.000 | 4.344 | EY 3-4-13071-1 |
| 3 | 1480 | 2.024-39 | 3.000 | 4.344 | EY 3-4-13081-1X |
| 3 | 1550 | 2.024-39 | 3.000 | 4.281 | EY 4-4-7561-1 |
| 3 | 1550 | 2.024-39 | 3.000 | 4.281 | EY 4-4-7571-1X |

*C/L to End of Hub for EY (End Yoke); Flange Face to End of Hub for CF (Companion Flange)

■ Hub machined for speedometer gear



| Pos | Series | Spline Data | Hub Dia | * to End of Hub | End Fitting Part Number |
|------------------------|--------|-------------|---------|-----------------|--|
| 344 (Continued) | | | | | |
| 3 | 1610 | 2.024-39 | 3.000 | 6.000 | EY 5-4-8261 <i>High angle yoke</i> |
| 3 | 1610 | 2.024-39 | 3.000 | 6.000 | EY 5-4-8261-1 <i>High angle yoke</i> |
| 3 | 1610 | 2.024-39 | 3.000 | 4.875 | EY 5-4-9221-1 |
| 3 | 1610 | 2.024-39 | 3.000 | 4.875 | EY 5-4-9231-1X |
| 3 | 1610 | 2.024-39 | 3.000 | 6.000 | EY 5-4-9241-1X <i>High angle yoke</i> |
| 3 | 1610 | 2.024-39 | 3.000 | 6.000 | EY 5-4-9241X <i>High angle yoke</i> |
| 3 | 1710 | 2.024-39 | 3.000 | 6.125 | EY 6-4-8411 <i>High angle yoke</i> |
| 3 | 1710 | 2.024-39 | 3.000 | 6.125 | EY 6-4-8411-1 <i>High angle yoke</i> |
| 3 | 1710 | 2.024-39 | 3.000 | 5.250 | EY 6-4-8421 |
| 3 | 1710 | 2.024-39 | 3.000 | 5.250 | EY 6-4-8421-1 |
| 3 | 1710 | 2.024-39 | 3.000 | 6.125 | EY 6-4-8991-1X <i>High angle yoke</i> |
| 3 | 1710 | 2.024-39 | 3.000 | 6.125 | EY 6-4-8991X <i>High angle yoke</i> |
| 3 | 1710 | 2.024-39 | 3.000 | 5.250 | EY 6-4-9031-1X |
| 3 | 1710 | 2.024-39 | 3.000 | 5.250 | EY 6-4-9031X |
| 5 | SPL170 | 2.024-39 | 2.625 | 5.750 | EY 170-4-08578-1X |
| 355 | | | | | |
| 1 | SPL140 | 2.274-44 | 3.000 | 5.160 | EY 140-4-321-1 |
| 1 | SPL140 | 2.274-44 | 3.000 | 5.160 | EY 140-4-331-1X |
| 380 | | | | | |
| 1 | 1550 | 1.962-10 | 2.625 | 4.266 | EY 4-4-4071-1X |
| 1 | 1610 | 1.962-10 | 2.625 | 5.312 | EY 5-4-4471-1 |
| 1 | 1610 | 1.962-10 | 2.625 | 6.000 | EY 5-4-4771X <i>High angle yoke</i> |
| 1 | 1610 | 1.962-10 | 2.625 | 4.719 | EY 5-4-5121X |
| 1 | 1710 | 1.964-10 | 2.625 | 4.500 | EY 6-4-2211 <i>Chamfered Counterbore</i> |
| 1 | 1710 | 1.962-10 | 2.625 | 6.125 | EY 6-4-4151 <i>Chamfered Counterbore; High angle yoke</i> |
| 1 | 1710 | 1.962-10 | 2.625 | 6.125 | EY 6-4-4151-1 <i>Chamfered Counterbore; High angle yoke</i> |
| 1 | 1710 | 1.962-10 | 2.625 | 4.500 | EY 6-4-4721 <i>Chamfered Counterbore</i> |
| 1 | 1710 | 1.962-10 | 2.625 | 4.500 | EY 6-4-4731-1X <i>Chamfered Counterbore</i> |
| 1 | 1710 | 1.962-10 | 2.625 | 4.500 | EY 6-4-4731X <i>Chamfered Counterbore</i> |
| 1 | 1710 | 1.962-10 | 2.625 | 6.125 | EY 6-4-4851-1X <i>Chamfered Counterbore</i> |
| 1 | 1710 | 1.962-10 | 2.625 | 6.125 | EY 6-4-4851X <i>Chamfered Counterbore; High angle yoke</i> |
| 1 | 1710 | 2.149-16 | 2.938 | 5.188 | EY 6-4-4961 |
| 1 | 1710 | 2.149-16 | 2.938 | 5.188 | EY 6-4-5061X |
| 1 | 1710 | 1.962-10 | 2.625 | 5.250 | EY 6-4-5151X <i>Chamfered Counterbore</i> |
| 1 | 1710 | 2.114-32 | 3.000 | 4.562 | EY 6-4-5811 |
| 1 | 1710 | 2.114-32 | 3.000 | 4.562 | EY 6-4-7221X |
| 1 | 1710 | 2.274-44 | 2.938 | 5.188 | EY 6-4-8551X |
| 1 | 1760 | 2.274-44 | 2.938 | 5.250 | EY 6.3-4-1481X |
| 1 | 1760 | 2.114-32 | 3.000 | 5.000 | EY 6.3-4-1511-1 |
| 1 | 1760 | 2.114-32 | 3.000 | 5.000 | EY 6.3-4-1521-1X |
| 1 | 1760 | 1.964-10 | 2.625 | 5.625 | EY 6.3-4-221X <i>Chamfered Counterbore</i> |
| 1 | 1760 | 2.149-16 | 2.938 | 5.250 | EY 6.3-4-231X |

| Pos | Series | Spline Data | Hub Dia | * to End of Hub | End Fitting Part Number |
|------------------------|--------|-------------|---------|-----------------|--|
| 380 (Continued) | | | | | |
| 1 | 1810 | 1.964-10 | 2.625 | 5.625 | EY 6.5-4-2351X <i>Chamfered Counterbore</i> |
| 1 | 1810 | 2.274-44 | 2.938 | 5.250 | EY 6.5-4-4351X |
| 1 | 1810 | 2.114-32 | 3.000 | 5.000 | EY 6.5-4-4451-1 |
| 1 | 1810 | 2.114-32 | 3.000 | 5.000 | EY 6.5-4-4461-1X |
| 2 | 1410 | 1.750-10 | 2.625 | 4.250 | EY 3-4-2511-1 <i>.250 deep spline chamfer</i> |
| 2 | 1480 | 1.750-10 | 2.625 | 4.281 | EY 3-4-5791-1X <i>.250 deep spline chamfer; C'bore depth is chamfered</i> |
| 2 | 1550 | 1.750-10 | 2.625 | 4.672 | EY 4-4-3581-1X <i>.250 deep spline chamfer</i> |
| 2 | 1610 | 1.750-10 | 2.625 | 6.000 | EY 5-4-4761X <i>High angle yoke</i> |
| 2 | 1610 | 1.962-10 | 2.625 | 6.000 | EY 5-4-4771X <i>High angle yoke</i> |
| 2 | 1610 | 1.750-10 | 2.625 | 4.750 | EY 5-4-5111X |
| 2 | 1610 | 1.790-34 | 2.625 | 6.188 | EY 5-4-8441X <i>High angle yoke</i> |
| 2 | 1710 | 1.750-10 | 2.625 | 5.250 | EY 6-4-4301X <i>Chamfered Counterbore</i> |
| 2 | 1710 | 1.962-10 | 2.625 | 6.125 | EY 6-4-4851X <i>Chamfered Counterbore; High angle yoke</i> |
| 2 | 1710 | 1.750-10 | 2.625 | 6.125 | EY 6-4-4861X <i>Chamfered Counterbore; High angle yoke</i> |
| 2 | 1710 | 1.962-10 | 2.625 | 5.250 | EY 6-4-5151X <i>Chamfered Counterbore</i> |
| 2 | 1710 | 1.750-10 | 2.625 | 4.500 | EY 6-4-5581-1X <i>Chamfered Counterbore</i> |
| 2 | 1710 | 1.750-10 | 2.625 | 4.500 | EY 6-4-5581X <i>Chamfered Counterbore</i> |
| 2 | 1710 | 1.790-34 | 2.625 | 5.438 | EY 6-4-8511X |
| 2 | 1710 | 1.790-34 | 2.625 | 6.312 | EY 6-4-8521X <i>High angle yoke</i> |
| 3 | 1410 | 1.750-10 | 2.625 | 4.250 | EY 3-4-2511-1 <i>All ratios except 3.70 & 4.11; .250 deep spline chamfer</i> |
| 3 | 1480 | 1.750-10 | 2.625 | 4.281 | EY 3-4-5791-1X <i>.250 deep spline chamfer; C'bore depth is chamfered</i> |
| 3 | 1550 | 1.750-10 | 2.625 | 4.672 | EY 4-4-3581-1X <i>.250 deep spline chamfer</i> |
| 3 | 1610 | 1.750-10 | 2.625 | 6.000 | EY 5-4-4761X <i>All ratios except 3.70 & 4.11; High angle yoke</i> |
| 3 | 1610 | 1.962-10 | 2.625 | 6.000 | EY 5-4-4771X <i>3.70 & 4.11 ratios only; High angle yoke</i> |
| 3 | 1610 | 1.750-10 | 2.625 | 4.750 | EY 5-4-5111X <i>All ratios except 3.70 & 4.11</i> |
| 3 | 1610 | 1.962-10 | 2.625 | 4.719 | EY 5-4-5121X <i>3.70 & 4.11 ratios only</i> |
| 3 | 1610 | 2.024-39 | 2.625 | 4.719 | EY 5-4-8131-1X |
| 3 | 1610 | 2.024-39 | 2.625 | 5.312 | EY 5-4-8411X |
| 3 | 1610 | 2.024-39 | 2.625 | 6.000 | EY 5-4-8421X <i>High angle yoke</i> |
| 3 | 1710 | 1.962-10 | 2.625 | 6.125 | EY 6-4-4151 <i>Chamfered Counterbore; High angle yoke</i> |
| 3 | 1710 | 1.962-10 | 2.625 | 6.125 | EY 6-4-4151-1 <i>Chamfered Counterbore; High angle yoke</i> |
| 3 | 1710 | 1.750-10 | 2.625 | 5.250 | EY 6-4-4301X <i>All ratios except 3.70 & 4.11; Chamfered Counterbore</i> |
| 3 | 1710 | 1.962-10 | 2.625 | 6.125 | EY 6-4-4851-1X <i>3.70 & 4.11 ratios only; Chamfered Counterbore; High angle yoke</i> |
| 3 | 1710 | 1.962-10 | 2.625 | 6.125 | EY 6-4-4851X <i>3.70 & 4.11 ratios only; Chamfered Counterbore; High angle yoke</i> |
| 3 | 1710 | 1.750-10 | 2.625 | 6.125 | EY 6-4-4861X <i>All ratios except 3.70 & 4.11; Chamfered Counterbore; High angle yoke</i> |

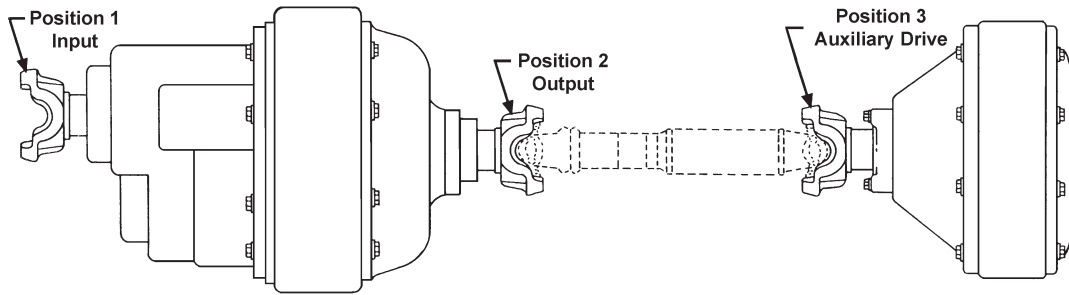
Continued on next page

*C/L to End of Hub for EY (End Yoke); Flange Face to End of Hub for CF (Companion Flange)

■ Hub machined for speedometer gear



Important: See Safety Information in General Information Section (J300P-GI)



| Pos | Series | Spline Data | Hub Dia | * to End of Hub | End Fitting Part Number |
|-----|--------|-------------|---------|-----------------|-------------------------|
|-----|--------|-------------|---------|-----------------|-------------------------|

380 (Continued)

| | | | | | |
|---|------|----------|-------|-------|---|
| 3 | 1710 | 1.962-10 | 2.625 | 5.250 | EY 6-4-5141 <i>Chamfered Counterbore</i> |
| 3 | 1710 | 1.962-10 | 2.625 | 5.250 | EY 6-4-5151X <i>3.70 & 4.11 ratios only; Chamfered Counterbore</i> |
| 3 | 1710 | 1.750-10 | 2.625 | 4.500 | EY 6-4-5581-1X <i>All ratios except 3.70 & 4.11; Chamfered Counterbore</i> |
| 3 | 1710 | 1.750-10 | 2.625 | 4.500 | EY 6-4-5581X <i>All ratios except 3.70 & 4.11; Chamfered Counterbore</i> |
| 3 | 1710 | 2.024-39 | 2.625 | 5.250 | EY 6-4-8531X |
| 3 | 1710 | 2.024-39 | 2.625 | 6.125 | EY 6-4-8541X <i>High angle yoke</i> |

381

| | | | | | |
|---|------|----------|-------|-------|--|
| 1 | 1810 | 2.274-44 | 2.938 | 3.094 | CF 6.5-1-2401X |
| 1 | 1610 | 2.274-44 | 2.938 | 5.000 | EY 5-4-6381-1X |
| 1 | 1610 | 2.274-44 | 2.938 | 5.000 | EY 5-4-6381X |
| 1 | 1610 | 2.274-44 | 2.938 | 5.000 | EY 5-4-8431-1X |
| 1 | 1710 | 2.274-44 | 2.938 | 5.188 | EY 6-4-6041-1X |
| 1 | 1710 | 2.274-44 | 2.938 | 5.188 | EY 6-4-6041X |
| 1 | 1710 | 2.274-44 | 2.938 | 5.188 | EY 6-4-8461 |
| 1 | 1710 | 2.274-44 | 2.938 | 5.188 | EY 6-4-8461-1 |
| 1 | 1710 | 2.274-44 | 2.938 | 5.188 | EY 6-4-8551-1X |
| 1 | 1710 | 2.274-44 | 2.938 | 5.188 | EY 6-4-8551X |
| 1 | 1760 | 2.274-44 | 2.938 | 5.250 | EY 6.3-4-1421 |
| 1 | 1760 | 2.274-44 | 2.938 | 5.250 | EY 6.3-4-1421-1 |
| 1 | 1760 | 2.274-44 | 2.938 | 5.250 | EY 6.3-4-1481-1X |
| 1 | 1760 | 2.274-44 | 2.938 | 5.250 | EY 6.3-4-331-1X |
| 1 | 1760 | 2.274-44 | 2.938 | 5.250 | EY 6.3-4-331X |
| 1 | 1810 | 2.274-44 | 2.938 | 5.250 | EY 6.5-4-3281-1X |
| 1 | 1810 | 2.274-44 | 2.938 | 5.250 | EY 6.5-4-3281X |
| 1 | 1810 | 2.274-44 | 2.938 | 5.250 | EY 6.5-4-4351-1X |
| 1 | 1810 | 2.274-44 | 2.938 | 5.250 | EY 6.5-4-4351X |
| 2 | 1610 | 1.790-34 | 2.625 | 4.938 | EY 5-4-6341 |
| 2 | 1610 | 1.790-34 | 2.625 | 6.188 | EY 5-4-6351 <i>High angle yoke</i> |
| 2 | 1610 | 1.790-34 | 2.625 | 6.188 | EY 5-4-8441X <i>High angle yoke</i> |
| 2 | 1610 | 1.790-34 | 2.625 | 4.938 | EY 5-4-8501-1X |
| 2 | 1710 | 1.790-34 | 2.625 | 6.312 | EY 6-4-6451 <i>High angle yoke</i> |
| 2 | 1710 | 1.790-34 | 2.625 | 5.438 | EY 6-4-6481 |
| 2 | 1710 | 1.790-34 | 2.625 | 5.438 | EY 6-4-8081 |
| 2 | 1710 | 1.790-34 | 2.625 | 5.438 | EY 6-4-8081-1 |
| 2 | 1710 | 1.790-34 | 2.625 | 5.438 | EY 6-4-8511-1X |
| 2 | 1710 | 1.790-34 | 2.625 | 5.438 | EY 6-4-8511X |
| 2 | 1710 | 1.790-34 | 2.625 | 6.312 | EY 6-4-8521-1X <i>High angle yoke</i> |
| 2 | 1710 | 1.790-34 | 2.625 | 6.312 | EY 6-4-8521X <i>High angle yoke</i> |

| Pos | Series | Spline Data | Hub Dia | * to End of Hub | End Fitting Part Number |
|-----|--------|-------------|---------|-----------------|-------------------------|
|-----|--------|-------------|---------|-----------------|-------------------------|

381 (Continued)

| | | | | | |
|---|------|----------|-------|-------|---|
| 3 | 1610 | 2.024-39 | 2.625 | 6.000 | EY 5-4-5971X <i>High angle yoke</i> |
| 3 | 1610 | 2.024-39 | 2.625 | 5.312 | EY 5-4-5991X |
| 3 | 1610 | 2.024-39 | 2.625 | 4.719 | EY 5-4-7981 |
| 3 | 1610 | 2.024-39 | 2.625 | 4.719 | EY 5-4-8131X |
| 3 | 1610 | 2.024-39 | 2.625 | 5.312 | EY 5-4-8411-1X |
| 3 | 1610 | 2.024-39 | 2.625 | 5.312 | EY 5-4-8411X |
| 3 | 1610 | 2.024-39 | 2.625 | 6.000 | EY 5-4-8421X <i>High angle yoke</i> |
| 3 | 1710 | 2.024-39 | 2.625 | 5.250 | EY 6-4-6001X <i>Chamfered Counterbore</i> |
| 3 | 1710 | 2.024-39 | 2.625 | 6.125 | EY 6-4-6021-1X <i>High angle yoke; Chamfered Counterbore</i> |
| 3 | 1710 | 2.024-39 | 2.625 | 6.125 | EY 6-4-6021X <i>High angle yoke; Chamfered Counterbore</i> |
| 3 | 1710 | 2.024-39 | 2.625 | 6.125 | EY 6-4-7981 <i>High angle yoke</i> |
| 3 | 1710 | 2.024-39 | 2.625 | 6.125 | EY 6-4-7981-1 <i>High angle yoke</i> |
| 3 | 1710 | 2.024-39 | 2.625 | 5.250 | EY 6-4-7991 |
| 3 | 1710 | 2.024-39 | 2.625 | 5.250 | EY 6-4-8231-1X |
| 3 | 1710 | 2.024-39 | 2.625 | 5.250 | EY 6-4-8531X |
| 3 | 1710 | 2.024-39 | 2.625 | 6.125 | EY 6-4-8541-1X <i>High angle yoke</i> |
| 3 | 1710 | 2.024-39 | 2.625 | 6.125 | EY 6-4-8541X <i>High angle yoke</i> |

400

| | | | | | |
|---|------|----------|-------|-------|---|
| 1 | 1710 | 2.149-16 | 2.938 | 5.188 | EY 6-4-4961 |
| 1 | 1710 | 2.149-16 | 2.938 | 5.188 | EY 6-4-5061X |
| 1 | 1710 | 2.274-44 | 2.938 | 5.188 | EY 6-4-8551X |
| 1 | 1760 | 2.274-44 | 2.938 | 5.250 | EY 6.3-4-1481X |
| 1 | 1760 | 2.149-16 | 2.938 | 5.250 | EY 6.3-4-231X |
| 1 | 1810 | 2.274-44 | 2.938 | 5.250 | EY 6.5-4-4351X |
| 2 | 1610 | 1.962-10 | 2.625 | 6.000 | EY 5-4-4771X <i>High angle yoke</i> |
| 2 | 1610 | 1.790-34 | 2.625 | 6.188 | EY 5-4-8441X <i>High angle yoke</i> |
| 2 | 1610 | 2.024-39 | 3.000 | 5.594 | EY 5-4-9351-1 |
| 2 | 1710 | 1.962-10 | 2.625 | 6.125 | EY 6-4-4851X <i>Chamfered Counterbore; High angle yoke</i> |
| 2 | 1710 | 1.962-10 | 2.625 | 5.250 | EY 6-4-5151X <i>Chamfered Counterbore</i> |
| 2 | 1710 | 1.790-34 | 2.625 | 5.438 | EY 6-4-8511X |
| 2 | 1710 | 1.790-34 | 2.625 | 6.312 | EY 6-4-8521X <i>High angle yoke</i> |
| 3 | 1610 | 1.750-10 | 2.625 | 6.000 | EY 5-4-4761X <i>High angle yoke</i> |
| 3 | 1610 | 2.024-39 | 2.625 | 6.000 | EY 5-4-5971X <i>High angle yoke</i> |
| 3 | 1610 | 2.024-39 | 2.625 | 5.312 | EY 5-4-5991X |

*C/L to End of Hub for EY (End Yoke); Flange Face to End of Hub for CF (Companion Flange)

■ Hub machined for speedometer gear



| Pos | Series | Spline Data | Hub Dia | * to End of Hub | End Fitting Part Number |
|------------------------|--------|-------------|---------|-----------------|---|
| 400 (Continued) | | | | | |
| 3 | 1610 | 2.024-39 | 2.625 | 4.719 | EY 5-4-8131-1X |
| 3 | 1610 | 2.024-39 | 2.625 | 5.312 | EY 5-4-8411X |
| 3 | 1610 | 2.024-39 | 2.625 | 6.000 | EY 5-4-8421X <i>High angle yoke</i> |
| 3 | 1710 | 1.750-10 | 2.625 | 5.250 | EY 6-4-4301X <i>Chamfered Counterbore</i> |
| 3 | 1710 | 1.750-10 | 2.625 | 6.125 | EY 6-4-4861X <i>Chamfered Counterbore; High angle yoke</i> |
| 3 | 1710 | 2.024-39 | 2.625 | 5.250 | EY 6-4-6001X <i>Chamfered Counterbore</i> |
| 3 | 1710 | 2.024-39 | 2.625 | 5.250 | EY 6-4-8531X |
| 3 | 1710 | 2.024-39 | 2.625 | 6.125 | EY 6-4-8541X <i>High angle yoke</i> |
| 401 | | | | | |
| 1 | 1810 | 2.274-44 | 2.938 | 3.094 | CF 6.5-1-2401X |
| 1 | 1610 | 2.274-44 | 2.938 | 5.000 | EY 5-4-6381-1X |
| 1 | 1610 | 2.274-44 | 2.938 | 5.000 | EY 5-4-6381X |
| 1 | 1610 | 2.274-44 | 2.938 | 5.000 | EY 5-4-8431-1X |
| 1 | 1710 | 2.274-44 | 2.938 | 5.188 | EY 6-4-6041-1X |
| 1 | 1710 | 2.274-44 | 2.938 | 5.188 | EY 6-4-6041X |
| 1 | 1710 | 2.114-32 | 3.000 | 4.562 | EY 6-4-7221X |
| 1 | 1710 | 2.274-44 | 2.938 | 5.188 | EY 6-4-8461 |
| 1 | 1710 | 2.274-44 | 2.938 | 5.188 | EY 6-4-8461-1 |
| 1 | 1710 | 2.274-44 | 2.938 | 5.188 | EY 6-4-8551-1X |
| 1 | 1710 | 2.274-44 | 2.938 | 5.188 | EY 6-4-8551X |
| 1 | 1760 | 2.274-44 | 2.938 | 5.250 | EY 6.3-4-1421 |
| 1 | 1760 | 2.274-44 | 2.938 | 5.250 | EY 6.3-4-1421-1 |
| 1 | 1760 | 2.274-44 | 2.938 | 5.250 | EY 6.3-4-1481-1X |
| 1 | 1760 | 2.274-44 | 2.938 | 5.250 | EY 6.3-4-1481X |
| 1 | 1760 | 2.114-32 | 3.000 | 5.000 | EY 6.3-4-1511-1 |
| 1 | 1760 | 2.114-32 | 3.000 | 5.000 | EY 6.3-4-1521-1X |
| 1 | 1760 | 2.274-44 | 2.938 | 5.250 | EY 6.3-4-331-1X |
| 1 | 1760 | 2.274-44 | 2.938 | 5.250 | EY 6.3-4-331X |
| 1 | 1810 | 2.274-44 | 2.938 | 5.250 | EY 6.5-4-3281-1X |
| 1 | 1810 | 2.274-44 | 2.938 | 5.250 | EY 6.5-4-3281X |
| 1 | 1810 | 2.274-44 | 2.938 | 5.250 | EY 6.5-4-4351-1X |
| 1 | 1810 | 2.274-44 | 2.938 | 5.250 | EY 6.5-4-4351X |
| 1 | 1810 | 2.114-32 | 3.000 | 5.000 | EY 6.5-4-4451-1 |
| 1 | 1810 | 2.114-32 | 3.000 | 5.000 | EY 6.5-4-4461-1X |
| 2 | 1610 | 1.790-34 | 2.625 | 4.938 | EY 5-4-6341 |
| 2 | 1610 | 1.790-34 | 2.625 | 6.188 | EY 5-4-6351 <i>High angle yoke</i> |
| 2 | 1610 | 1.790-34 | 2.625 | 6.188 | EY 5-4-8441X <i>High angle yoke</i> |
| 2 | 1610 | 1.790-34 | 2.625 | 4.938 | EY 5-4-8501-1X |
| 2 | 1710 | 1.790-34 | 2.625 | 6.312 | EY 6-4-6451 <i>High angle yoke</i> |
| 2 | 1710 | 1.790-34 | 2.625 | 5.438 | EY 6-4-6481 |
| 2 | 1710 | 1.790-34 | 2.625 | 5.438 | EY 6-4-8081 |
| 2 | 1710 | 1.790-34 | 2.625 | 5.438 | EY 6-4-8081-1 |
| 2 | 1710 | 1.790-34 | 2.625 | 5.438 | EY 6-4-8511-1X |
| 2 | 1710 | 1.790-34 | 2.625 | 5.438 | EY 6-4-8511X |
| 2 | 1710 | 1.790-34 | 2.625 | 6.312 | EY 6-4-8521-1X <i>High angle yoke</i> |
| 2 | 1710 | 1.790-34 | 2.625 | 6.312 | EY 6-4-8521X <i>High angle yoke</i> |
| 3 | 1610 | 2.024-39 | 2.625 | 6.000 | EY 5-4-5971X <i>High angle yoke</i> |
| 3 | 1610 | 2.024-39 | 2.625 | 5.312 | EY 5-4-5991X |
| 3 | 1610 | 2.024-39 | 2.625 | 4.719 | EY 5-4-7981 |

| Pos | Series | Spline Data | Hub Dia | * to End of Hub | End Fitting Part Number |
|------------------------|--------|-------------|---------|-----------------|---|
| 401 (Continued) | | | | | |
| 3 | 1610 | 2.024-39 | 2.625 | 4.719 | EY 5-4-8131X |
| 3 | 1610 | 2.024-39 | 2.625 | 5.312 | EY 5-4-8411-1X |
| 3 | 1610 | 2.024-39 | 2.625 | 5.312 | EY 5-4-8411X |
| 3 | 1610 | 2.024-39 | 2.625 | 6.000 | EY 5-4-8421X |
| 3 | 1710 | 2.024-39 | 2.625 | 5.250 | EY 6-4-6001X <i>Chamfered Counterbore</i> |
| 3 | 1710 | 2.024-39 | 2.625 | 6.125 | EY 6-4-6021-1X <i>High angle yoke; Chamfered Counterbore</i> |
| 3 | 1710 | 2.024-39 | 2.625 | 6.125 | EY 6-4-6021X <i>High angle yoke; Chamfered Counterbore</i> |
| 3 | 1710 | 2.024-39 | 2.625 | 6.125 | EY 6-4-7981 <i>High angle yoke</i> |
| 3 | 1710 | 2.024-39 | 2.625 | 6.125 | EY 6-4-7981-1 <i>High angle yoke</i> |
| 3 | 1710 | 2.024-39 | 2.625 | 5.250 | EY 6-4-7991 |
| 3 | 1710 | 2.024-39 | 2.625 | 5.250 | EY 6-4-8231-1X |
| 3 | 1710 | 2.024-39 | 2.625 | 5.250 | EY 6-4-8531X |
| 3 | 1710 | 2.024-39 | 2.625 | 6.125 | EY 6-4-8541-1X <i>High angle yoke</i> |
| 3 | 1710 | 2.024-39 | 2.625 | 6.125 | EY 6-4-8541X <i>High angle yoke</i> |
| 402 | | | | | |
| 1 | 1810 | 2.274-44 | 2.938 | 3.094 | CF 6.5-1-2391 |
| 1 | SPL170 | 2.274-44 | 2.938 | 5.281 | EY 170-4-101-1X |
| 1 | SPL170 | 2.274-44 | 2.938 | 5.281 | EY 170-4-91-1 |
| 1 | SPL250 | 2.274-44 | 2.938 | 5.484 | EY 250-4-51-1 |
| 1 | SPL250 | 2.274-44 | 2.938 | 5.484 | EY 250-4-61-1X |
| 1 | 1610 | 2.274-44 | 2.938 | 5.000 | EY 5-4-6381-1X |
| 1 | 1610 | 2.274-44 | 2.938 | 5.000 | EY 5-4-6381X |
| 1 | 1610 | 2.274-44 | 2.938 | 5.000 | EY 5-4-8321-1 |
| 1 | 1610 | 2.274-44 | 2.938 | 5.000 | EY 5-4-8431-1X |
| 1 | 1710 | 2.274-44 | 2.938 | 5.188 | EY 6-4-6041-1X |
| 1 | 1710 | 2.274-44 | 2.938 | 5.188 | EY 6-4-6041X |
| 1 | 1710 | 2.274-44 | 2.938 | 5.188 | EY 6-4-8461 |
| 1 | 1710 | 2.274-44 | 2.938 | 5.188 | EY 6-4-8461-1 |
| 1 | 1710 | 2.274-44 | 2.938 | 5.188 | EY 6-4-8551-1X |
| 1 | 1710 | 2.274-44 | 2.938 | 5.188 | EY 6-4-8551X |
| 1 | 1760 | 2.274-44 | 2.938 | 5.250 | EY 6.3-4-1421 |
| 1 | 1760 | 2.274-44 | 2.938 | 5.250 | EY 6.3-4-1421-1 |
| 1 | 1760 | 2.274-44 | 2.938 | 5.250 | EY 6.3-4-1481-1X |
| 1 | 1760 | 2.274-44 | 2.938 | 5.250 | EY 6.3-4-1481X |
| 1 | 1760 | 2.274-44 | 2.938 | 5.250 | EY 6.3-4-331-1X |
| 1 | 1760 | 2.274-44 | 2.938 | 5.250 | EY 6.3-4-331X |
| 1 | 1810 | 2.274-44 | 2.938 | 5.250 | EY 6.5-4-3281-1X |
| 1 | 1810 | 2.274-44 | 2.938 | 5.250 | EY 6.5-4-3281X |
| 1 | 1810 | 2.274-44 | 2.938 | 5.250 | EY 6.5-4-4321 |
| 1 | 1810 | 2.274-44 | 2.938 | 5.250 | EY 6.5-4-4321-1 |
| 1 | 1810 | 2.274-44 | 2.938 | 5.250 | EY 6.5-4-4351-1X |
| 1 | 1810 | 2.274-44 | 2.938 | 5.250 | EY 6.5-4-4351X |
| 2 | SPL170 | 1.790-34 | 2.625 | 5.600 | EY 170-4-111-1 |
| 2 | SPL170 | 1.790-34 | 2.625 | 5.600 | EY 170-4-121-1X |
| 2 | SPL170 | 1.790-34 | 2.625 | 6.250 | EY 170-4-131-1 <i>High angle yoke</i> |
| 2 | SPL170 | 1.790-34 | 2.625 | 6.250 | EY 170-4-141-1X <i>High angle yoke</i> |
| 2 | 1610 | 1.790-34 | 2.625 | 4.938 | EY 5-4-6341 |
| 2 | 1610 | 1.790-34 | 2.625 | 6.188 | EY 5-4-6351 <i>High angle yoke</i> |

Continued on next page

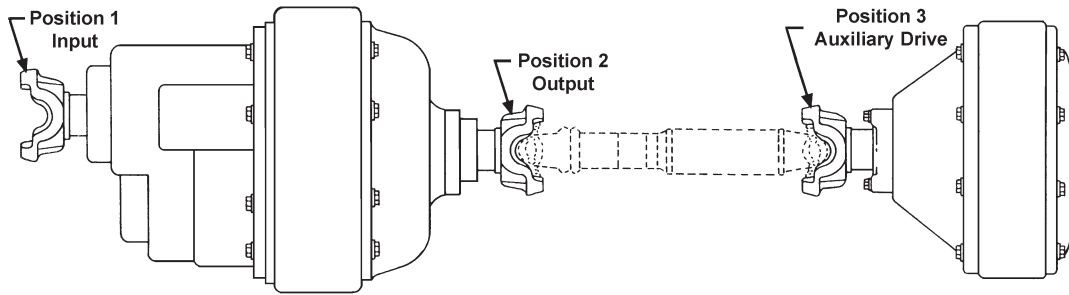
*C/L to End of Hub for EY (End Yoke); Flange Face to End of Hub for CF (Companion Flange)

■ Hub machined for speedometer gear



Important: See Safety Information in General Information Section (J300P-GI)

TANDEM AXLES



| Pos | Series | Spline Data | Hub Dia | * to End of Hub | End Fitting Part Number |
|------------------------|--------|-------------|---------|-----------------|---|
| 402 (Continued) | | | | | |
| 2 | 1610 | 1.790-34 | 2.625 | 6.188 | EY 5-4-8001 <i>High angle yoke</i> |
| 2 | 1610 | 1.790-34 | 2.625 | 6.188 | EY 5-4-8441X <i>High angle yoke</i> |
| 2 | 1610 | 1.790-34 | 2.625 | 4.938 | EY 5-4-8491-1 |
| 2 | 1610 | 1.790-34 | 2.625 | 4.938 | EY 5-4-8501-1X |
| 2 | 1710 | 1.790-34 | 2.625 | 6.312 | EY 6-4-6451 <i>High angle yoke</i> |
| 2 | 1710 | 1.790-34 | 2.625 | 6.312 | EY 6-4-6451-1 <i>High angle yoke</i> |
| 2 | 1710 | 1.790-34 | 2.625 | 5.438 | EY 6-4-6481 |
| 2 | 1710 | 1.790-34 | 2.625 | 6.312 | EY 6-4-8001 <i>High angle yoke</i> |
| 2 | 1710 | 1.790-34 | 2.625 | 6.312 | EY 6-4-8001-1 <i>High angle yoke</i> |
| 2 | 1710 | 1.790-34 | 2.625 | 5.438 | EY 6-4-8081 |
| 2 | 1710 | 1.790-34 | 2.625 | 5.438 | EY 6-4-8081-1 |
| 2 | 1710 | 1.790-34 | 2.625 | 5.438 | EY 6-4-8511-1X |
| 2 | 1710 | 1.790-34 | 2.625 | 5.438 | EY 6-4-8511X |
| 2 | 1710 | 1.790-34 | 2.625 | 6.312 | EY 6-4-8521-1X <i>High angle yoke</i> |
| 3 | SPL140 | 2.024-39 | 2.625 | 5.030 | EY 140-4-551-1 <i>Counterbore at hub end.</i> |
| 3 | SPL140 | 2.024-39 | 2.625 | 5.030 | EY 140-4-561-1X <i>Counterbore at hub end.</i> |
| 3 | SPL170 | 2.024-39 | 2.625 | 4.938 | EY 170-4-151-1 |
| 3 | SPL170 | 2.024-39 | 2.625 | 4.938 | EY 170-4-161-1X |
| 3 | SPL170 | 2.024-39 | 2.625 | 6.016 | EY 170-4-171-1 <i>High angle yoke</i> |
| 3 | SPL170 | 2.024-39 | 2.625 | 6.016 | EY 170-4-181-1X <i>High angle yoke</i> |
| 3 | 1480 | 2.024-39 | 2.625 | 4.344 | EY 3-4-13051-1 |
| 3 | 1480 | 2.024-39 | 2.625 | 4.344 | EY 3-4-13061-1X |
| 3 | 1550 | 2.024-39 | 2.625 | 4.266 | EY 4-4-6471-1 |
| 3 | 1550 | 2.024-39 | 2.625 | 4.266 | EY 4-4-7551-1X |
| 3 | 1610 | 2.024-39 | 2.625 | 6.000 | EY 5-4-5971X <i>High angle yoke</i> |
| 3 | 1610 | 2.024-39 | 2.625 | 5.312 | EY 5-4-5991X |
| 3 | 1610 | 2.024-39 | 2.625 | 5.312 | EY 5-4-7971 |
| 3 | 1610 | 2.024-39 | 2.625 | 5.312 | EY 5-4-7971-1 |
| 3 | 1610 | 2.024-39 | 2.625 | 4.719 | EY 5-4-7981 |
| 3 | 1610 | 2.024-39 | 2.625 | 6.000 | EY 5-4-7991 <i>High angle yoke</i> |
| 3 | 1610 | 2.024-39 | 2.625 | 6.000 | EY 5-4-8421X <i>High angle yoke</i> |
| 3 | 1710 | 2.024-39 | 2.625 | 5.250 | EY 6-4-6001X <i>Chamfered Counterbore</i> |
| 3 | 1710 | 2.024-39 | 2.625 | 6.125 | EY 6-4-6021X <i>High angle yoke; Chamfered Counterbore</i> |
| 3 | 1710 | 2.024-39 | 2.625 | 6.125 | EY 6-4-7981 <i>High angle yoke</i> |

| Pos | Series | Spline Data | Hub Dia | * to End of Hub | End Fitting Part Number |
|------------------------|--------|-------------|---------|-----------------|--|
| 402 (Continued) | | | | | |
| 3 | 1710 | 2.024-39 | 2.625 | 6.125 | EY 6-4-7981-1 <i>High angle yoke</i> |
| 3 | 1710 | 2.024-39 | 2.625 | 5.250 | EY 6-4-7991 |
| 3 | 1710 | 2.024-39 | 2.625 | 5.250 | EY 6-4-7991-1 |
| 3 | 1710 | 2.024-39 | 2.625 | 5.250 | EY 6-4-8231-1X |
| 3 | 1710 | 2.024-39 | 2.625 | 5.250 | EY 6-4-8531-1X |
| 3 | 1710 | 2.024-39 | 2.625 | 6.125 | EY 6-4-8541-1X <i>High angle yoke</i> |
| 3 | 1710 | 2.024-39 | 2.625 | 6.125 | EY 6-4-8541X <i>High angle yoke</i> |
| 403 | | | | | |
| 1 | SPL170 | 2.274-44 | 2.938 | 5.281 | EY 170-4-101-1X |
| 1 | SPL250 | 2.274-44 | 2.938 | 5.484 | EY 250-4-61-1X |
| 1 | 1610 | 2.274-44 | 2.938 | 5.000 | EY 5-4-8431-1X |
| 1 | 1710 | 2.274-44 | 2.938 | 5.188 | EY 6-4-8551-1X |
| 1 | 1710 | 2.274-44 | 2.938 | 5.188 | EY 6-4-8551X |
| 1 | 1760 | 2.274-44 | 2.938 | 5.250 | EY 6.3-4-1481-1X |
| 1 | 1760 | 2.274-44 | 2.938 | 5.250 | EY 6.3-4-1481X |
| 1 | 1810 | 2.274-44 | 2.938 | 5.250 | EY 6.5-4-4351-1X |
| 1 | 1810 | 2.274-44 | 2.938 | 5.250 | EY 6.5-4-4351X |
| 2 | SPL170 | 1.790-34 | 2.625 | 5.600 | EY 170-4-121-1X |
| 2 | SPL170 | 1.790-34 | 2.625 | 6.250 | EY 170-4-141-1X <i>High angle yoke</i> |
| 2 | 1610 | 1.790-34 | 2.625 | 6.188 | EY 5-4-8441X <i>High angle yoke</i> |
| 2 | 1710 | 1.790-34 | 2.625 | 5.438 | EY 6-4-8511X |
| 2 | 1710 | 1.790-34 | 2.625 | 6.312 | EY 6-4-8521X <i>High angle yoke</i> |
| 2 | 1710 | 2.274-44 | 3.000 | 5.190 | EY 6-4-8981-1X |
| 3 | SPL170 | 2.024-39 | 2.625 | 4.938 | EY 170-4-161-1X |
| 3 | SPL170 | 2.024-39 | 2.625 | 6.016 | EY 170-4-181-1X <i>High angle yoke</i> |
| 3 | 1550 | 2.024-39 | 2.625 | 4.266 | EY 4-4-7551-1X |
| 3 | 1610 | 2.024-39 | 2.625 | 4.719 | EY 5-4-8131-1X |
| 3 | 1610 | 2.024-39 | 2.625 | 5.312 | EY 5-4-8411X |
| 3 | 1710 | 2.024-39 | 2.625 | 5.250 | EY 6-4-8531X |
| 3 | 1710 | 2.024-39 | 2.625 | 6.125 | EY 6-4-8541X <i>High angle yoke</i> |
| 404 | | | | | |
| 1 | SPL140 | 2.274-44 | 3.000 | 5.160 | EY 140-4-1271-1X |
| 1 | SPL140 | 2.274-44 | 3.000 | 5.160 | EY 140-4-331-1X |
| 1 | SPL170 | 2.274-44 | 3.000 | 5.270 | EY 170-4-1671-1X <i>Counterbore at hub end.</i> |
| 1 | SPL170 | 2.274-44 | 3.000 | 5.270 | EY 170-4-191-1 |
| 1 | SPL170 | 2.274-44 | 3.000 | 5.270 | EY 170-4-201-1X |
| 1 | SPL250 | 2.274-44 | 3.000 | 5.490 | EY 250-4-71-1 |
| 1 | SPL250 | 2.274-44 | 3.000 | 5.490 | EY 250-4-81-1X |
| 1 | 1610 | 2.274-44 | 3.000 | 5.000 | EY 5-4-8311-1 |

*C/L to End of Hub for EY (End Yoke); Flange Face to End of Hub for CF (Companion Flange)

■ Hub machined for speedometer gear



| Pos | Series | Spline Data | Hub Dia | * to End of Hub | End Fitting Part Number |
|------------------------|--------|-------------|---------|-----------------|--|
| 404 (Continued) | | | | | |
| 1 | 1610 | 2.274-44 | 3.000 | 5.000 | EY 5-4-9261-1X |
| 1 | 1710 | 2.274-44 | 3.000 | 5.190 | EY 6-4-8451 |
| 1 | 1710 | 2.274-44 | 3.000 | 5.190 | EY 6-4-8451-1 |
| 1 | 1710 | 2.274-44 | 3.000 | 5.190 | EY 6-4-8981-1X |
| 1 | 1710 | 2.274-44 | 3.000 | 5.190 | EY 6-4-8981X |
| 1 | 1760 | 2.274-44 | 3.000 | 5.250 | EY 6.3-4-1411 |
| 1 | 1760 | 2.274-44 | 3.000 | 5.250 | EY 6.3-4-1411-1 |
| 1 | 1760 | 2.274-44 | 3.000 | 5.250 | EY 6.3-4-5221-1X |
| 1 | 1760 | 2.274-44 | 3.000 | 5.250 | EY 6.3-4-5221X |
| 1 | 1810 | 2.274-44 | 3.000 | 5.250 | EY 6.5-4-4311 |
| 1 | 1810 | 2.274-44 | 3.000 | 5.250 | EY 6.5-4-4311-1 |
| 1 | 1810 | 2.274-44 | 3.000 | 5.250 | EY 6.5-4-4571-1X |
| 1 | 1810 | 2.274-44 | 3.000 | 5.250 | EY 6.5-4-4571X |
| 2 | SPL140 | 2.024-39 | 3.000 | 4.940 | EY 140-4-371-1X |
| 2 | SPL170 | 2.024-39 | 2.625 | 5.750 | EY 170-4-08578-1X |
| 2 | SPL170 | 2.024-39 | 2.625 | 6.500 | EY 170-4-1651-1X |
| 2 | SPL170 | 2.024-39 | 2.625 | 5.270 | EY 170-4-211-1 <i>High angle yoke</i> |
| 2 | SPL170 | 2.024-39 | 2.625 | 5.266 | EY 170-4-221-1X |
| 2 | SPL170 | 2.024-39 | 2.625 | 6.500 | EY 170-4-231-1 <i>High angle yoke</i> |
| 2 | SPL170 | 2.024-39 | 2.625 | 6.500 | EY 170-4-241-1X <i>High angle yoke</i> |
| 2 | SPL170 | 2.024-39 | 2.625 | 5.750 | EY 5001768 |
| 2 | SPL170 | 2.024-39 | 2.625 | 5.750 | EY 5008578 |
| 2 | 1610 | 2.024-39 | 2.625 | 6.000 | EY 5-4-8301 <i>High angle yoke</i> |
| 2 | 1610 | 2.024-39 | 2.625 | 6.000 | EY 5-4-9271X <i>High angle yoke</i> |
| 2 | 1710 | 2.024-39 | 2.625 | 6.125 | EY 6-4-8431 |
| 2 | 1710 | 2.024-39 | 2.625 | 6.125 | EY 6-4-8431-1 |
| 2 | 1710 | 2.024-39 | 2.625 | 5.250 | EY 6-4-8441 |
| 2 | 1710 | 2.024-39 | 2.625 | 5.250 | EY 6-4-8441-1 |
| 2 | 1710 | 2.024-39 | 2.625 | 6.125 | EY 6-4-9001-1X |
| 2 | 1710 | 2.024-39 | 2.625 | 6.125 | EY 6-4-9001X |
| 2 | 1710 | 2.024-39 | 2.625 | 5.250 | EY 6-4-9041-1X |
| 2 | 1710 | 2.024-39 | 2.625 | 5.250 | EY 6-4-9041X |
| 3 | SPL100 | 2.024-39 | 3.000 | 7.295 | EY 100-4-1371-1X <i>Flanged yoke w/8 tapped holes in flange</i> |
| 3 | SPL140 | 2.024-39 | 3.000 | 4.940 | EY 140-4-1161-1X |
| 3 | SPL140 | 2.274-44 | 3.000 | 5.160 | EY 140-4-331-1X |
| 3 | SPL140 | 2.024-39 | 3.000 | 4.940 | EY 140-4-371-1X |
| 3 | SPL170 | 2.024-39 | 3.000 | 5.540 | EY 170-4-08577-1X |
| 3 | SPL170 | 2.024-39 | 3.000 | 6.240 | EY 170-4-1621-1 |
| 3 | SPL170 | 2.024-39 | 3.000 | 6.240 | EY 170-4-1631-1X |
| 3 | SPL170 | 2.024-39 | 2.625 | 6.500 | EY 170-4-1641-1 |
| 3 | SPL170 | 2.274-44 | 3.000 | 5.270 | EY 170-4-1661-1 <i>Counterbore at hub end.</i> |
| 3 | SPL170 | 2.274-44 | 3.000 | 5.270 | EY 170-4-201-1X |
| 3 | SPL170 | 2.024-39 | 3.000 | 5.156 | EY 170-4-251-1 <i>High angle yoke</i> |
| 3 | SPL170 | 2.024-39 | 3.000 | 5.156 | EY 170-4-261-1X |
| 3 | SPL170 | 2.024-39 | 3.000 | 6.240 | EY 170-4-271-1 <i>High angle yoke</i> |
| 3 | SPL170 | 2.024-39 | 3.000 | 6.240 | EY 170-4-281-1X <i>High angle yoke</i> |
| 3 | SPL170 | 2.024-39 | 3.000 | 5.540 | EY 5001766 |
| 3 | SPL170 | 2.024-39 | 3.000 | 5.540 | EY 5008577 |
| 3 | SPL90 | 2.024-39 | 3.000 | 4.750 | EY 90-4-241-1 |
| 3 | SPL90 | 2.024-39 | 3.000 | 4.750 | EY 90-4-251-1X |

| Pos | Series | Spline Data | Hub Dia | * to End of Hub | End Fitting Part Number |
|------------------------|--------|-------------|---------|-----------------|---|
| 404 (Continued) | | | | | |
| 3 | 1480 | 2.024-39 | 3.000 | 4.344 | EY 3-4-13071-1 |
| 3 | 1480 | 2.024-39 | 3.000 | 4.344 | EY 3-4-13081-1X |
| 3 | 1550 | 2.024-39 | 3.000 | 4.281 | EY 4-4-7561-1 |
| 3 | 1550 | 2.024-39 | 3.000 | 4.281 | EY 4-4-7571-1X |
| 3 | 1610 | 2.024-39 | 3.000 | 6.000 | EY 5-4-8261 <i>High angle yoke</i> |
| 3 | 1610 | 2.024-39 | 3.000 | 6.000 | EY 5-4-8261-1 <i>High angle yoke</i> |
| 3 | 1610 | 2.024-39 | 3.000 | 4.875 | EY 5-4-9221-1 |
| 3 | 1610 | 2.024-39 | 3.000 | 4.875 | EY 5-4-9231-1X |
| 3 | 1610 | 2.024-39 | 3.000 | 6.000 | EY 5-4-9241-1X <i>High angle yoke</i> |
| 3 | 1610 | 2.024-39 | 3.000 | 6.000 | EY 5-4-9241X <i>High angle yoke</i> |
| 3 | 1710 | 2.024-39 | 3.000 | 6.125 | EY 6-4-8411 <i>High angle yoke</i> |
| 3 | 1710 | 2.024-39 | 3.000 | 6.125 | EY 6-4-8411-1 <i>High angle yoke</i> |
| 3 | 1710 | 2.024-39 | 3.000 | 5.250 | EY 6-4-8421 |
| 3 | 1710 | 2.024-39 | 3.000 | 5.250 | EY 6-4-8421-1 |
| 3 | 1710 | 2.024-39 | 3.000 | 6.125 | EY 6-4-8991-1X <i>High angle yoke</i> |
| 3 | 1710 | 2.024-39 | 3.000 | 6.125 | EY 6-4-8991X <i>High angle yoke</i> |
| 405 | | | | | |
| 1 | SPL140 | 2.274-44 | 3.000 | 5.160 | EY 140-4-1261-1 |
| 1 | SPL140 | 2.274-44 | 3.000 | 5.160 | EY 140-4-1271-1X |
| 1 | SPL140 | 2.274-44 | 3.000 | 5.160 | EY 140-4-321-1 |
| 1 | SPL140 | 2.274-44 | 3.000 | 5.160 | EY 140-4-331-1X |
| 1 | SPL170 | 2.274-44 | 3.000 | 5.270 | EY 170-4-201-1X |
| 1 | SPL250 | 2.274-44 | 3.000 | 5.490 | EY 250-4-81-1X |
| 1 | 1610 | 2.274-44 | 3.000 | 5.000 | EY 5-4-9261-1X |
| 1 | 1710 | 2.274-44 | 3.000 | 5.190 | EY 6-4-8981-1X |
| 1 | 1710 | 2.274-44 | 3.000 | 5.190 | EY 6-4-8981X |
| 1 | 1760 | 2.274-44 | 3.000 | 5.250 | EY 6.3-4-5221-1X |
| 1 | 1760 | 2.274-44 | 3.000 | 5.250 | EY 6.3-4-5221X |
| 1 | 1810 | 2.274-44 | 3.000 | 5.250 | EY 6.5-4-4571-1X |
| 1 | 1810 | 2.274-44 | 3.000 | 5.250 | EY 6.5-4-4571X |
| 2 | SPL170 | 2.024-39 | 2.625 | 5.266 | EY 170-4-221-1X |
| 2 | SPL170 | 2.024-39 | 2.625 | 6.500 | EY 170-4-241-1X <i>High angle yoke</i> |
| 2 | 1610 | 2.024-39 | 2.625 | 6.000 | EY 5-4-9271X <i>High angle yoke</i> |
| 2 | 1710 | 2.024-39 | 2.625 | 6.125 | EY 6-4-8431 |
| 2 | 1710 | 2.024-39 | 2.625 | 6.125 | EY 6-4-8431-1 |
| 2 | 1710 | 2.024-39 | 2.625 | 5.250 | EY 6-4-8441 |
| 2 | 1710 | 2.024-39 | 2.625 | 5.250 | EY 6-4-8441-1 |
| 2 | 1710 | 2.024-39 | 2.625 | 6.125 | EY 6-4-9001-1X |
| 2 | 1710 | 2.024-39 | 2.625 | 6.125 | EY 6-4-9001X |
| 2 | 1710 | 2.024-39 | 2.625 | 5.250 | EY 6-4-9041-1X |
| 2 | 1710 | 2.024-39 | 2.625 | 5.250 | EY 6-4-9041X |
| 3 | SPL140 | 2.024-39 | 3.000 | 4.940 | EY 140-4-361-1 |
| 3 | SPL140 | 2.024-39 | 3.000 | 4.940 | EY 140-4-371-1X |
| 3 | SPL170 | 2.274-44 | 3.000 | 5.270 | EY 170-4-201-1X |
| 3 | SPL170 | 2.024-39 | 3.000 | 5.156 | EY 170-4-261-1X |
| 3 | SPL170 | 2.024-39 | 3.000 | 6.240 | EY 170-4-281-1X <i>High angle yoke</i> |
| 3 | SPL250 | 2.274-44 | 3.000 | 5.490 | EY 250-4-81-1X |
| 3 | SPL90 | 2.024-39 | 3.000 | 4.750 | EY 90-4-241-1 |

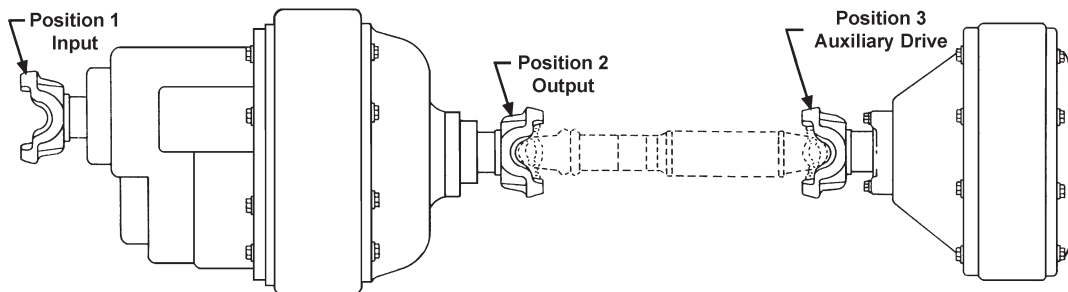
Continued on next page

*C/L to End of Hub for EY (End Yoke); Flange Face to End of Hub for CF (Companion Flange)

■ Hub machined for speedometer gear



Important: See Safety Information in General Information Section (J300P-GI)



| Pos | Series | Spline Data | Hub Dia | * to End of Hub | End Fitting Part Number |
|-----|--------|-------------|---------|-----------------|-------------------------|
|-----|--------|-------------|---------|-----------------|-------------------------|

405 (Continued)

| | | | | | |
|---|-------|----------|-------|-------|--|
| 3 | SPL90 | 2.024-39 | 3.000 | 4.750 | EY 90-4-251-1X |
| 3 | 1480 | 2.024-39 | 3.000 | 4.344 | EY 3-4-13071-1 |
| 3 | 1480 | 2.024-39 | 3.000 | 4.344 | EY 3-4-13081-1X |
| 3 | 1550 | 2.024-39 | 3.000 | 4.281 | EY 4-4-7561-1 |
| 3 | 1550 | 2.024-39 | 3.000 | 4.281 | EY 4-4-7571-1X |
| 3 | 1610 | 2.024-39 | 3.000 | 6.000 | EY 5-4-8261 <i>High angle yoke</i> |
| 3 | 1610 | 2.024-39 | 3.000 | 6.000 | EY 5-4-8261-1 <i>High angle yoke</i> |
| 3 | 1610 | 2.024-39 | 3.000 | 4.875 | EY 5-4-9221-1 |
| 3 | 1610 | 2.024-39 | 3.000 | 4.875 | EY 5-4-9231-1X |
| 3 | 1610 | 2.024-39 | 3.000 | 6.000 | EY 5-4-9241-1X <i>High angle yoke</i> |
| 3 | 1610 | 2.024-39 | 3.000 | 6.000 | EY 5-4-9241X <i>High angle yoke</i> |
| 3 | 1710 | 2.024-39 | 3.000 | 6.125 | EY 6-4-8411-1 <i>High angle yoke</i> |
| 3 | 1710 | 2.024-39 | 3.000 | 5.250 | EY 6-4-8421 |
| 3 | 1710 | 2.024-39 | 3.000 | 5.250 | EY 6-4-8421-1 |
| 3 | 1710 | 2.024-39 | 3.000 | 6.125 | EY 6-4-8991-1X <i>High angle yoke</i> |
| 3 | 1710 | 2.024-39 | 3.000 | 6.125 | EY 6-4-8991X <i>High angle yoke</i> |
| 3 | 1710 | 2.024-39 | 3.000 | 5.250 | EY 6-4-9031-1X |
| 3 | 1710 | 2.024-39 | 3.000 | 5.250 | EY 6-4-9031X |

410

| | | | | | |
|---|------|----------|-------|-------|-------------|
| 1 | 1710 | 2.114-32 | 3.000 | 4.562 | EY 6-4-5811 |
|---|------|----------|-------|-------|-------------|

433

| | | | | | |
|---|------|----------|-------|-------|---|
| 3 | 1710 | 2.024-39 | 3.000 | 6.125 | EY 6-4-8411-1 <i>High angle yoke</i> |
|---|------|----------|-------|-------|---|

440

| | | | | | |
|---|------|----------|-------|-------|--|
| 1 | 1610 | 2.422-18 | 3.375 | 6.125 | EY 5-4-5491-1X |
| 1 | 1710 | 2.422-18 | 3.375 | 5.250 | EY 6-4-3161 |
| 1 | 1710 | 2.422-18 | 3.375 | 5.812 | EY 6-4-4581 |
| 1 | 1710 | 2.422-18 | 3.375 | 5.812 | EY 6-4-4581-1 |
| 1 | 1710 | 2.422-18 | 3.375 | 5.812 | EY 6-4-4751-1X |
| 1 | 1710 | 2.422-18 | 3.375 | 5.812 | EY 6-4-4751X |
| 1 | 1760 | 2.422-18 | 3.375 | 6.000 | EY 6.3-4-241-1X |
| 1 | 1760 | 2.422-18 | 3.375 | 6.000 | EY 6.3-4-241X |
| 1 | 1810 | 2.422-18 | 3.375 | 5.812 | EY 6.5-4-1991 |
| 1 | 1810 | 2.422-18 | 3.375 | 5.812 | EY 6.5-4-1991-1 |
| 1 | 1810 | 2.422-18 | 3.375 | 5.812 | EY 6.5-4-2361-1X |
| 1 | 1810 | 2.422-18 | 3.375 | 5.812 | EY 6.5-4-2361X |
| 2 | 1610 | 2.149-16 | 2.938 | 6.250 | EY 5-4-5161-1X |
| 2 | 1610 | 2.149-16 | 2.938 | 6.250 | EY 5-4-5161X <i>High angle yoke</i> |
| 2 | 1610 | 2.149-16 | 2.938 | 6.500 | EY 5-4-5511X <i>High angle yoke</i> |

| Pos | Series | Spline Data | Hub Dia | * to End of Hub | End Fitting Part Number |
|-----|--------|-------------|---------|-----------------|-------------------------|
|-----|--------|-------------|---------|-----------------|-------------------------|

440 (Continued)

| | | | | | |
|---|------|----------|-------|-------|--|
| 2 | 1710 | 2.149-16 | 2.938 | 5.500 | EY 6-4-4171-1X |
| 2 | 1710 | 2.149-16 | 2.938 | 5.500 | EY 6-4-4171X |
| 2 | 1710 | 2.149-16 | 2.938 | 6.625 | EY 6-4-4591 <i>High angle yoke</i> |
| 2 | 1710 | 2.149-16 | 2.938 | 6.625 | EY 6-4-5481X <i>High angle yoke</i> |
| 2 | 1760 | 2.149-16 | 2.938 | 5.812 | EY 6.3-4-141-1 |
| 2 | 1760 | 2.149-16 | 2.938 | 5.812 | EY 6.3-4-251-1X |
| 2 | 1760 | 2.149-16 | 2.938 | 5.812 | EY 6.3-4-251X |
| 2 | 1810 | 2.149-16 | 2.938 | 5.812 | EY 6.5-4-2291 |
| 2 | 1810 | 2.149-16 | 2.938 | 5.812 | EY 6.5-4-2291-1 |
| 2 | 1810 | 2.149-16 | 2.938 | 5.812 | EY 6.5-4-2401-1X |
| 2 | 1810 | 2.149-16 | 2.938 | 5.812 | EY 6.5-4-2401X |
| 3 | 1610 | 2.149-16 | 2.938 | 6.250 | EY 5-4-5161-1X |
| 3 | 1610 | 2.149-16 | 2.938 | 6.250 | EY 5-4-5161X <i>High angle yoke</i> |
| 3 | 1610 | 2.149-16 | 2.938 | 6.500 | EY 5-4-5511X <i>High angle yoke</i> |
| 3 | 1710 | 2.149-16 | 2.938 | 5.500 | EY 6-4-4171-1X |
| 3 | 1710 | 2.149-16 | 2.938 | 5.500 | EY 6-4-4171X |
| 3 | 1710 | 2.149-16 | 2.938 | 6.625 | EY 6-4-5481X <i>High angle yoke</i> |
| 3 | 1760 | 2.149-16 | 2.938 | 5.812 | EY 6.3-4-141-1 |
| 3 | 1760 | 2.149-16 | 2.938 | 5.812 | EY 6.3-4-251-1X |
| 3 | 1760 | 2.149-16 | 2.938 | 5.812 | EY 6.3-4-251X |
| 3 | 1810 | 2.149-16 | 2.938 | 5.812 | EY 6.5-4-2291 |
| 3 | 1810 | 2.149-16 | 2.938 | 5.812 | EY 6.5-4-2291-1 |
| 3 | 1810 | 2.149-16 | 2.938 | 5.812 | EY 6.5-4-2401-1X |
| 3 | 1810 | 2.149-16 | 2.938 | 5.812 | EY 6.5-4-2401X |

451

| | | | | | |
|---|--------|----------|-------|-------|------------------|
| 1 | 1810 | 2.274-44 | 2.938 | 3.094 | CF 6.5-1-2391 |
| 1 | SPL170 | 2.274-44 | 2.938 | 5.281 | EY 170-4-101-1X |
| 1 | SPL170 | 2.274-44 | 2.938 | 5.281 | EY 170-4-91-1 |
| 1 | SPL250 | 2.274-44 | 2.938 | 5.484 | EY 250-4-51-1 |
| 1 | SPL250 | 2.274-44 | 2.938 | 5.484 | EY 250-4-61-1X |
| 1 | 1610 | 2.274-44 | 2.938 | 5.000 | EY 5-4-8321-1 |
| 1 | 1610 | 2.274-44 | 2.938 | 5.000 | EY 5-4-8431-1X |
| 1 | 1710 | 2.274-44 | 2.938 | 5.188 | EY 6-4-8461 |
| 1 | 1710 | 2.274-44 | 2.938 | 5.188 | EY 6-4-8461-1 |
| 1 | 1710 | 2.274-44 | 2.938 | 5.188 | EY 6-4-8551-1X |
| 1 | 1710 | 2.274-44 | 2.938 | 5.188 | EY 6-4-8551X |
| 1 | 1760 | 2.274-44 | 2.938 | 5.250 | EY 6.3-4-1421 |
| 1 | 1760 | 2.274-44 | 2.938 | 5.250 | EY 6.3-4-1421-1 |
| 1 | 1760 | 2.274-44 | 2.938 | 5.250 | EY 6.3-4-1481-1X |
| 1 | 1760 | 2.274-44 | 2.938 | 5.250 | EY 6.3-4-1481X |
| 1 | 1810 | 2.274-44 | 2.938 | 5.250 | EY 6.5-4-4321 |
| 1 | 1810 | 2.274-44 | 2.938 | 5.250 | EY 6.5-4-4321-1 |
| 1 | 1810 | 2.274-44 | 2.938 | 5.250 | EY 6.5-4-4351-1X |

*C/L to End of Hub for EY (End Yoke); Flange Face to End of Hub for CF (Companion Flange)

■ Hub machined for speedometer gear



| Pos | Series | Spline Data | Hub Dia | * to End of Hub | End Fitting Part Number |
|------------------------|--------|-------------|---------|-----------------|--|
| 451 (Continued) | | | | | |
| 1 | 1810 | 2.274-44 | 2.938 | 5.250 | EY 6.5-4-4351X |
| 2 | SPL170 | 1.790-34 | 2.625 | 5.600 | EY 170-4-111-1 |
| 2 | SPL170 | 1.790-34 | 2.625 | 5.600 | EY 170-4-121-1X |
| 2 | SPL170 | 1.790-34 | 2.625 | 6.250 | EY 170-4-131-1 <i>High angle yoke</i> |
| 2 | SPL170 | 1.790-34 | 2.625 | 6.250 | EY 170-4-141-1X <i>High angle yoke</i> |
| 2 | 1610 | 1.790-34 | 2.625 | 6.188 | EY 5-4-8001 <i>High angle yoke</i> |
| 2 | 1610 | 1.790-34 | 2.625 | 6.188 | EY 5-4-8441X <i>High angle yoke</i> |
| 2 | 1610 | 1.790-34 | 2.625 | 4.938 | EY 5-4-8491-1 |
| 2 | 1610 | 1.790-34 | 2.625 | 4.938 | EY 5-4-8501-1X |
| 2 | 1710 | 1.790-34 | 2.625 | 6.312 | EY 6-4-8001 <i>High angle yoke</i> |
| 2 | 1710 | 1.790-34 | 2.625 | 6.312 | EY 6-4-8001-1 <i>High angle yoke</i> |
| 2 | 1710 | 1.790-34 | 2.625 | 5.438 | EY 6-4-8081 |
| 2 | 1710 | 1.790-34 | 2.625 | 5.438 | EY 6-4-8081-1 |
| 2 | 1710 | 1.790-34 | 2.625 | 6.312 | EY 6-4-8521-1X <i>High angle yoke</i> |
| 2 | 1710 | 1.790-34 | 2.625 | 6.312 | EY 6-4-8521X <i>High angle yoke</i> |
| 3 | SPL140 | 2.024-39 | 2.625 | 5.030 | EY 140-4-551-1 <i>Counterbore at hub end.</i> |
| 3 | SPL140 | 2.024-39 | 2.625 | 5.030 | EY 140-4-561-1X <i>Counterbore at hub end.</i> |
| 3 | SPL170 | 2.024-39 | 2.625 | 4.938 | EY 170-4-151-1 |
| 3 | SPL170 | 2.024-39 | 2.625 | 4.938 | EY 170-4-161-1X |
| 3 | SPL170 | 2.024-39 | 2.625 | 6.016 | EY 170-4-171-1 <i>High angle yoke</i> |
| 3 | SPL170 | 2.024-39 | 2.625 | 6.016 | EY 170-4-181-1X <i>High angle yoke</i> |
| 3 | 1480 | 2.024-39 | 2.625 | 4.344 | EY 3-4-13051-1 |
| 3 | 1480 | 2.024-39 | 2.625 | 4.344 | EY 3-4-13061-1X |
| 3 | 1550 | 2.024-39 | 2.625 | 4.266 | EY 4-4-6471-1 |
| 3 | 1550 | 2.024-39 | 2.625 | 4.266 | EY 4-4-7551-1X |
| 3 | 1610 | 2.024-39 | 2.625 | 5.312 | EY 5-4-7971 |
| 3 | 1610 | 2.024-39 | 2.625 | 5.312 | EY 5-4-7971-1 |
| 3 | 1610 | 2.024-39 | 2.625 | 6.000 | EY 5-4-7991 <i>High angle yoke</i> |
| 3 | 1610 | 2.024-39 | 2.625 | 6.000 | EY 5-4-8421X <i>High angle yoke</i> |
| 3 | 1710 | 2.024-39 | 2.625 | 6.125 | EY 6-4-7981 <i>High angle yoke</i> |
| 3 | 1710 | 2.024-39 | 2.625 | 6.125 | EY 6-4-7981-1 <i>High angle yoke</i> |
| 3 | 1710 | 2.024-39 | 2.625 | 6.125 | EY 6-4-8541-1X <i>High angle yoke</i> |
| 3 | 1710 | 2.024-39 | 2.625 | 6.125 | EY 6-4-8541X <i>High angle yoke</i> |
| 454 | | | | | |
| 1 | SPL140 | 2.274-44 | 3.000 | 5.160 | EY 140-4-1261-1 |
| 1 | SPL140 | 2.274-44 | 3.000 | 5.160 | EY 140-4-1271-1X |
| 1 | SPL140 | 2.274-44 | 3.000 | 5.160 | EY 140-4-321-1 |
| 1 | SPL140 | 2.274-44 | 3.000 | 5.160 | EY 140-4-331-1X |
| 1 | SPL170 | 2.274-44 | 3.000 | 5.270 | EY 170-4-1671-1X <i>Counterbore at hub end.</i> |
| 1 | SPL170 | 2.274-44 | 3.000 | 5.270 | EY 170-4-191-1 |
| 1 | SPL170 | 2.274-44 | 3.000 | 5.270 | EY 170-4-201-1X |
| 1 | SPL250 | 2.274-44 | 3.000 | 5.490 | EY 250-4-71-1 |
| 1 | SPL250 | 2.274-44 | 3.000 | 5.490 | EY 250-4-81-1X |

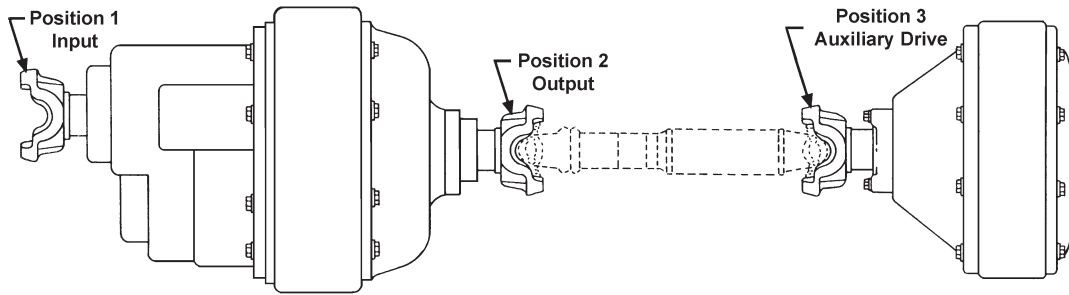
| Pos | Series | Spline Data | Hub Dia | * to End of Hub | End Fitting Part Number |
|------------------------|--------|-------------|---------|-----------------|---|
| 454 (Continued) | | | | | |
| 1 | 1610 | 2.274-44 | 3.000 | 5.000 | EY 5-4-8311-1 |
| 1 | 1610 | 2.274-44 | 3.000 | 5.000 | EY 5-4-9261-1X |
| 1 | 1710 | 2.274-44 | 3.000 | 5.190 | EY 6-4-8451 |
| 1 | 1710 | 2.274-44 | 3.000 | 5.190 | EY 6-4-8451-1 |
| 1 | 1710 | 2.274-44 | 3.000 | 5.190 | EY 6-4-8981-1X |
| 1 | 1710 | 2.274-44 | 3.000 | 5.190 | EY 6-4-8981X |
| 1 | 1760 | 2.274-44 | 3.000 | 5.250 | EY 6.3-4-1411 |
| 1 | 1760 | 2.274-44 | 3.000 | 5.250 | EY 6.3-4-1411-1 |
| 1 | 1760 | 2.274-44 | 3.000 | 5.250 | EY 6.3-4-5221-1X |
| 1 | 1760 | 2.274-44 | 3.000 | 5.250 | EY 6.3-4-5221X |
| 1 | 1810 | 2.274-44 | 3.000 | 5.250 | EY 6.5-4-4311 |
| 1 | 1810 | 2.274-44 | 3.000 | 5.250 | EY 6.5-4-4311-1 |
| 1 | 1810 | 2.274-44 | 3.000 | 5.250 | EY 6.5-4-4571-1X |
| 1 | 1810 | 2.274-44 | 3.000 | 5.250 | EY 6.5-4-4571X |
| 2 | SPL140 | 2.024-39 | 3.000 | 4.940 | EY 140-4-361-1 |
| 2 | SPL170 | 2.024-39 | 2.625 | 6.500 | EY 170-4-1651-1X |
| 2 | SPL170 | 2.024-39 | 2.625 | 5.270 | EY 170-4-211-1 <i>High angle yoke</i> |
| 2 | SPL170 | 2.024-39 | 2.625 | 5.266 | EY 170-4-221-1X |
| 2 | SPL170 | 2.024-39 | 2.625 | 6.500 | EY 170-4-231-1 <i>High angle yoke</i> |
| 2 | SPL170 | 2.024-39 | 2.625 | 6.500 | EY 170-4-241-1X <i>High angle yoke</i> |
| 2 | SPL170 | 2.024-39 | 2.625 | 5.750 | EY 5001768 |
| 2 | SPL170 | 2.024-39 | 2.625 | 5.750 | EY 5008578 |
| 2 | 1610 | 2.024-39 | 2.625 | 6.000 | EY 5-4-8301 <i>High angle yoke</i> |
| 2 | 1610 | 2.024-39 | 2.625 | 6.000 | EY 5-4-9271X <i>High angle yoke</i> |
| 2 | 1710 | 2.024-39 | 2.625 | 6.125 | EY 6-4-8431 |
| 2 | 1710 | 2.024-39 | 2.625 | 6.125 | EY 6-4-8431-1 |
| 2 | 1710 | 2.024-39 | 2.625 | 5.250 | EY 6-4-8441 |
| 2 | 1710 | 2.024-39 | 2.625 | 5.250 | EY 6-4-8441-1 |
| 2 | 1710 | 2.024-39 | 2.625 | 6.125 | EY 6-4-9001-1X |
| 2 | 1710 | 2.024-39 | 2.625 | 6.125 | EY 6-4-9001X |
| 2 | 1710 | 2.024-39 | 2.625 | 5.250 | EY 6-4-9041-1X |
| 2 | 1710 | 2.024-39 | 2.625 | 5.250 | EY 6-4-9041X |
| 3 | SPL140 | 2.024-39 | 3.000 | 4.940 | EY 140-4-1151-1 |
| 3 | SPL140 | 2.024-39 | 3.000 | 4.940 | EY 140-4-1161-1X |
| 3 | SPL140 | 2.024-39 | 3.000 | 4.940 | EY 140-4-361-1 |
| 3 | SPL140 | 2.024-39 | 3.000 | 4.940 | EY 140-4-371-1X |
| 3 | SPL170 | 2.024-39 | 3.000 | 5.540 | EY 170-4-08577-1X |
| 3 | SPL170 | 2.024-39 | 3.000 | 6.240 | EY 170-4-1621-1 |
| 3 | SPL170 | 2.024-39 | 3.000 | 6.240 | EY 170-4-1631-1X |
| 3 | SPL170 | 2.024-39 | 2.625 | 6.500 | EY 170-4-1641-1 |
| 3 | SPL170 | 2.274-44 | 3.000 | 5.270 | EY 170-4-1661-1 <i>Counterbore at hub end.</i> |
| 3 | SPL170 | 2.274-44 | 3.000 | 5.270 | EY 170-4-201-1X |
| 3 | SPL170 | 2.024-39 | 3.000 | 5.156 | EY 170-4-251-1 <i>High angle yoke</i> |
| 3 | SPL170 | 2.024-39 | 3.000 | 5.156 | EY 170-4-261-1X |
| 3 | SPL170 | 2.024-39 | 3.000 | 6.240 | EY 170-4-271-1 <i>High angle yoke</i> |
| 3 | SPL170 | 2.024-39 | 3.000 | 6.240 | EY 170-4-281-1X <i>High angle yoke</i> |
| 3 | SPL170 | 2.024-39 | 3.000 | 5.540 | EY 5001766 |
| 3 | SPL90 | 2.024-39 | 3.000 | 4.750 | EY 90-4-241-1 |
| 3 | SPL90 | 2.024-39 | 3.000 | 4.750 | EY 90-4-251-1X |
| 3 | 1480 | 2.024-39 | 3.000 | 4.344 | EY 3-4-13071-1 |

Continued on next page

*C/L to End of Hub for EY (End Yoke); Flange Face to End of Hub for CF (Companion Flange)

■ Hub machined for speedometer gear





| Pos | Series | Spline Data | Hub Dia | * to End of Hub | End Fitting Part Number |
|------------------------|--------|-------------|---------|-----------------|--|
| 454 (Continued) | | | | | |
| 3 | 1480 | 2.024-39 | 3.000 | 4.344 | EY 3-4-13081-1X |
| 3 | 1550 | 2.024-39 | 3.000 | 4.281 | EY 4-4-7561-1 |
| 3 | 1550 | 2.024-39 | 3.000 | 4.281 | EY 4-4-7571-1X |
| 3 | 1610 | 2.024-39 | 3.000 | 6.000 | EY 5-4-8261 <i>High angle yoke</i> |
| 3 | 1610 | 2.024-39 | 3.000 | 6.000 | EY 5-4-8261-1 <i>High angle yoke</i> |
| 3 | 1610 | 2.024-39 | 3.000 | 4.875 | EY 5-4-9221-1 |
| 3 | 1610 | 2.024-39 | 3.000 | 4.875 | EY 5-4-9231-1X |
| 3 | 1610 | 2.024-39 | 3.000 | 6.000 | EY 5-4-9241-1X <i>High angle yoke</i> |
| 3 | 1610 | 2.024-39 | 3.000 | 6.000 | EY 5-4-9241X <i>High angle yoke</i> |
| 3 | 1710 | 2.024-39 | 3.000 | 6.125 | EY 6-4-8411-1 <i>High angle yoke</i> |
| 3 | 1710 | 2.024-39 | 3.000 | 5.250 | EY 6-4-8421 |
| 3 | 1710 | 2.024-39 | 3.000 | 5.250 | EY 6-4-8421-1 |
| 3 | 1710 | 2.024-39 | 3.000 | 6.125 | EY 6-4-8991-1X <i>High angle yoke</i> |
| 3 | 1710 | 2.024-39 | 3.000 | 6.125 | EY 6-4-8991X <i>High angle yoke</i> |
| 3 | 1710 | 2.024-39 | 3.000 | 5.250 | EY 6-4-9031-1X |
| 3 | 1710 | 2.024-39 | 3.000 | 5.250 | EY 6-4-9031X |
| 5 | SPL170 | 2.024-39 | 2.625 | 5.750 | EY 170-4-08578-1X |

| Pos | Series | Spline Data | Hub Dia | * to End of Hub | End Fitting Part Number |
|------------------------|--------|-------------|---------|-----------------|--|
| 460 (Continued) | | | | | |
| 2 | 1760 | 2.149-16 | 2.938 | 5.812 | EY 6.3-4-251-1X |
| 2 | 1760 | 2.149-16 | 2.938 | 5.812 | EY 6.3-4-251X |
| 2 | 1810 | 2.422-18 | 3.375 | 5.812 | EY 6.5-4-1991 |
| 2 | 1810 | 2.149-16 | 2.938 | 5.812 | EY 6.5-4-2291-1 |
| 2 | 1810 | 2.149-16 | 2.938 | 5.812 | EY 6.5-4-2401-1X |
| 3 | 1610 | 2.149-16 | 2.938 | 6.250 | EY 5-4-5161-1X |
| 3 | 1610 | 2.149-16 | 2.938 | 6.250 | EY 5-4-5161X <i>High angle yoke</i> |
| 3 | 1610 | 2.149-16 | 2.938 | 6.500 | EY 5-4-5511X <i>High angle yoke</i> |
| 3 | 1710 | 2.149-16 | 2.938 | 5.500 | EY 6-4-4171-1X |
| 3 | 1710 | 2.149-16 | 2.938 | 5.500 | EY 6-4-4171X |
| 3 | 1710 | 2.149-16 | 2.938 | 6.625 | EY 6-4-5481X <i>High angle yoke</i> |
| 3 | 1760 | 2.149-16 | 2.938 | 5.812 | EY 6.3-4-141-1 |
| 3 | 1760 | 2.149-16 | 2.938 | 5.812 | EY 6.3-4-251-1X |
| 3 | 1760 | 2.149-16 | 2.938 | 5.812 | EY 6.3-4-251X |
| 3 | 1810 | 2.422-18 | 3.375 | 5.812 | EY 6.5-4-1991 |
| 3 | 1810 | 2.149-16 | 2.938 | 5.812 | EY 6.5-4-2291-1 |
| 3 | 1810 | 2.149-16 | 2.938 | 5.812 | EY 6.5-4-2401-1X |
| 3 | 1810 | 2.149-16 | 2.938 | 5.812 | EY 6.5-4-2401X |

| | | | | | |
|------------|------|----------|-------|-------|--|
| 460 | | | | | |
| 1 | 1610 | 2.422-18 | 3.375 | 6.125 | EY 5-4-5491-1X |
| 1 | 1710 | 2.422-18 | 3.375 | 5.250 | EY 6-4-3161 |
| 1 | 1710 | 2.422-18 | 3.375 | 5.812 | EY 6-4-4581 |
| 1 | 1710 | 2.422-18 | 3.375 | 5.812 | EY 6-4-4581-1 |
| 1 | 1710 | 2.422-18 | 3.375 | 5.812 | EY 6-4-4751-1X |
| 1 | 1710 | 2.422-18 | 3.375 | 5.812 | EY 6-4-4751X |
| 1 | 1760 | 2.422-18 | 3.375 | 6.000 | EY 6.3-4-241-1X |
| 1 | 1760 | 2.422-18 | 3.375 | 6.000 | EY 6.3-4-241X |
| 1 | 1810 | 2.422-18 | 3.375 | 5.812 | EY 6.5-4-1991 |
| 1 | 1810 | 2.422-18 | 3.375 | 5.812 | EY 6.5-4-1991-1 |
| 1 | 1810 | 2.422-18 | 3.375 | 5.812 | EY 6.5-4-2361-1X |
| 1 | 1810 | 2.422-18 | 3.375 | 5.812 | EY 6.5-4-2361X |
| 2 | 1610 | 2.149-16 | 2.938 | 6.250 | EY 5-4-5161-1X |
| 2 | 1610 | 2.149-16 | 2.938 | 6.250 | EY 5-4-5161X <i>High angle yoke</i> |
| 2 | 1610 | 2.149-16 | 2.938 | 6.500 | EY 5-4-5511X <i>High angle yoke</i> |
| 2 | 1710 | 2.149-16 | 2.938 | 5.500 | EY 6-4-4171-1X |
| 2 | 1710 | 2.149-16 | 2.938 | 5.500 | EY 6-4-4171X |
| 2 | 1710 | 2.149-16 | 2.938 | 6.625 | EY 6-4-4591 <i>High angle yoke</i> |
| 2 | 1710 | 2.149-16 | 2.938 | 6.625 | EY 6-4-5481X <i>High angle yoke</i> |
| 2 | 1760 | 2.149-16 | 2.938 | 5.812 | EY 6.3-4-141-1 |

| | | | | | |
|------------|--------|----------|-------|-------|------------------|
| 461 | | | | | |
| 1 | SPL140 | 2.390-46 | 3.375 | 6.440 | EY 140-4-381-1 |
| 1 | SPL140 | 2.390-46 | 3.375 | 6.440 | EY 140-4-391-1X |
| 1 | SPL170 | 2.390-46 | 3.375 | 6.531 | EY 170-4-291-1 |
| 1 | SPL170 | 2.390-46 | 3.375 | 6.531 | EY 170-4-301-1X |
| 1 | SPL250 | 2.390-46 | 3.375 | 6.760 | EY 250-4-101-1X |
| 1 | SPL250 | 2.390-46 | 3.375 | 6.760 | EY 250-4-91-1 |
| 1 | 1550 | 2.143-41 | 2.938 | 4.500 | EY 4-4-5581-1 |
| 1 | 1610 | 2.143-41 | 2.938 | 5.250 | EY 5-4-7271-1 |
| 1 | 1610 | 2.143-41 | 2.938 | 6.000 | EY 5-4-7561 |
| 1 | 1610 | 2.143-41 | 2.938 | 6.000 | EY 5-4-7561-1 |
| 1 | 1610 | 2.143-41 | 2.938 | 5.250 | EY 5-4-9111-1X |
| 1 | 1610 | 2.143-41 | 2.938 | 6.000 | EY 5-4-9121-1X |
| 1 | 1610 | 2.143-41 | 2.938 | 6.000 | EY 5-4-9121X |
| 1 | 1710 | 2.390-46 | 3.375 | 6.000 | EY 6-4-7511 |
| 1 | 1710 | 2.390-46 | 3.375 | 6.000 | EY 6-4-7511-1 |
| 1 | 1710 | 2.390-46 | 3.375 | 6.000 | EY 6-4-7531-1X |
| 1 | 1710 | 2.390-46 | 3.375 | 6.000 | EY 6-4-7531X |
| 1 | 1710 | 2.390-46 | 3.375 | 6.000 | EY 6-4-9201-1X |
| 1 | 1760 | 2.143-41 | 2.938 | 5.250 | EY 6.3-4-1061 |
| 1 | 1760 | 2.143-41 | 2.938 | 5.250 | EY 6.3-4-1061-1 |
| 1 | 1760 | 2.390-46 | 3.375 | 6.000 | EY 6.3-4-1151 |
| 1 | 1760 | 2.390-46 | 3.375 | 6.000 | EY 6.3-4-1151-1 |
| 1 | 1760 | 2.390-46 | 3.375 | 6.000 | EY 6.3-4-1161-1X |
| 1 | 1760 | 2.390-46 | 3.375 | 6.000 | EY 6.3-4-1161X |
| 1 | 1760 | 2.143-41 | 2.938 | 5.250 | EY 6.3-4-1631-1X |

*C/L to End of Hub for EY (End Yoke); Flange Face to End of Hub for CF (Companion Flange)

■ Hub machined for speedometer gear



| Pos | Series | Spline Data | Hub Dia | * to End of Hub | End Fitting Part Number |
|------------------------|--------|-------------|---------|-----------------|---|
| 461 (Continued) | | | | | |
| 1 | 1760 | 2.390-46 | 3.375 | 6.000 | EY 6.3-4-1651-1X |
| 1 | 1760 | 2.390-46 | 3.375 | 6.000 | EY 6.3-4-1651X |
| 1 | 1810 | 2.390-46 | 3.375 | 6.000 | EY 6.5-4-3911 |
| 1 | 1810 | 2.390-46 | 3.375 | 6.000 | EY 6.5-4-3911-1 |
| 1 | 1810 | 2.390-46 | 3.375 | 6.000 | EY 6.5-4-3921-1X |
| 1 | 1810 | 2.390-46 | 3.375 | 6.000 | EY 6.5-4-3921X |
| 1 | 1810 | 2.390-46 | 3.375 | 6.000 | EY 6.5-4-4611-1X |
| 1 | 1810 | 2.390-46 | 3.375 | 6.000 | EY 6.5-4-4611X |
| 2 | SPL170 | 2.143-41 | 2.938 | 7.190 | EY 170-4-311-1 |
| 2 | SPL170 | 2.143-41 | 2.938 | 7.190 | EY 170-4-321-1X <i>High angle yoke</i> |
| 2 | SPL170 | 2.143-41 | 2.938 | 5.800 | EY 170-4-331-1 |
| 2 | SPL170 | 2.143-41 | 2.938 | 5.800 | EY 170-4-341-1X |
| 2 | 1610 | 2.143-41 | 2.938 | 6.500 | EY 5-4-7551-1 |
| 2 | 1610 | 2.143-41 | 2.938 | 6.500 | EY 5-4-9131-1X |
| 2 | 1710 | 2.149-16 | 2.938 | 6.625 | EY 6-4-4591 <i>High angle yoke</i> |
| 2 | 1710 | 2.143-41 | 2.938 | 6.625 | EY 6-4-7541 <i>High angle yoke</i> |
| 2 | 1710 | 2.143-41 | 2.938 | 6.625 | EY 6-4-7541-1 <i>High angle yoke</i> |
| 2 | 1710 | 2.143-41 | 2.938 | 6.625 | EY 6-4-9191-1X <i>High angle yoke</i> |
| 2 | 1710 | 2.143-41 | 2.938 | 6.625 | EY 6-4-9191X <i>High angle yoke</i> |
| 2 | 1760 | 2.143-41 | 2.938 | 5.812 | EY 6.3-4-1171 |
| 2 | 1760 | 2.143-41 | 2.938 | 5.812 | EY 6.3-4-1641X |
| 2 | 1810 | 2.143-41 | 2.938 | 5.812 | EY 6.5-4-3931 |
| 2 | 1810 | 2.143-41 | 2.938 | 5.812 | EY 6.5-4-4621X |
| 3 | 1810 | 2.143-41 | 2.938 | 3.500 | CF 6.5-1-2941 |
| 3 | SPL140 | 2.143-41 | 2.938 | 5.560 | EY 140-4-421-1 |
| 3 | SPL140 | 2.143-41 | 2.938 | 5.560 | EY 140-4-431-1X |
| 3 | SPL170 | 2.143-41 | 2.938 | 5.320 | EY 170-4-351-1 |
| 3 | SPL170 | 2.143-41 | 2.938 | 5.320 | EY 170-4-361-1X |
| 3 | SPL170 | 2.143-41 | 2.938 | 6.680 | EY 170-4-371-1 <i>High angle yoke</i> |
| 3 | SPL170 | 2.143-41 | 2.938 | 6.680 | EY 170-4-381-1X <i>High angle yoke</i> |
| 3 | SPL250 | 2.143-41 | 2.938 | 5.490 | EY 250-4-131-1 |
| 3 | SPL250 | 2.143-41 | 2.938 | 5.490 | EY 250-4-141-1X |
| 3 | SPL90 | 2.143-41 | 2.938 | 4.562 | EY 90-4-471-1 |
| 3 | SPL90 | 2.143-41 | 2.938 | 4.562 | EY 90-4-691-1X |
| 3 | 1550 | 2.143-41 | 2.938 | 4.500 | EY 4-4-5581-1 |
| 3 | 1550 | 2.143-41 | 2.938 | 4.500 | EY 4-4-5701-1X |
| 3 | 1610 | 2.143-41 | 2.938 | 6.000 | EY 5-4-7571-1X |
| 3 | 1610 | 2.143-41 | 2.938 | 6.000 | EY 5-4-7571X |
| 3 | 1610 | 2.143-41 | 2.938 | 5.250 | EY 5-4-9111-1X |
| 3 | 1610 | 2.143-41 | 2.938 | 6.000 | EY 5-4-9121X |
| 3 | 1710 | 2.143-41 | 2.938 | 5.190 | EY 6-4-7311 |
| 3 | 1710 | 2.143-41 | 2.938 | 5.190 | EY 6-4-7311-1 |
| 3 | 1710 | 2.143-41 | 2.938 | 5.190 | EY 6-4-7321-1X |
| 3 | 1710 | 2.143-41 | 2.938 | 6.125 | EY 6-4-7551 <i>High angle yoke</i> |
| 3 | 1710 | 2.143-41 | 2.938 | 6.125 | EY 6-4-7551-1 <i>High angle yoke</i> |
| 3 | 1710 | 2.143-41 | 2.938 | 6.125 | EY 6-4-7561-1X <i>High angle yoke</i> |
| 3 | 1710 | 2.143-41 | 2.938 | 6.125 | EY 6-4-7561X <i>High angle yoke</i> |
| 3 | 1710 | 2.143-41 | 2.938 | 5.190 | EY 6-4-9171-1X |
| 1 | 1760 | 2.390-46 | 3.375 | 6.000 | EY 6.3-4-1651-1X |

| Pos | Series | Spline Data | Hub Dia | * to End of Hub | End Fitting Part Number |
|------------------------|--------|-------------|---------|-----------------|---|
| 461 (Continued) | | | | | |
| 3 | 1710 | 2.143-41 | 2.938 | 5.190 | EY 6-4-9171X |
| 3 | 1710 | 2.143-41 | 2.938 | 6.125 | EY 6-4-9181-1X <i>High angle yoke</i> |
| 3 | 1710 | 2.143-41 | 2.938 | 6.125 | EY 6-4-9181X <i>High angle yoke</i> |
| 3 | 1760 | 2.143-41 | 2.938 | 5.250 | EY 6.3-4-1071-1X |
| 3 | 1760 | 2.143-41 | 2.938 | 5.250 | EY 6.3-4-1071X |
| 3 | 1810 | 2.143-41 | 2.938 | 5.250 | EY 6.5-4-3681 |
| 3 | 1810 | 2.143-41 | 2.938 | 5.250 | EY 6.5-4-3681-1 |
| 3 | 1810 | 2.143-41 | 2.938 | 5.250 | EY 6.5-4-3691-1X |
| 3 | 1810 | 2.143-41 | 2.938 | 5.250 | EY 6.5-4-3691X |
| 3 | 1810 | 2.143-41 | 2.938 | 5.250 | EY 6.5-4-4601-1X |
| 3 | 1810 | 2.143-41 | 2.938 | 5.250 | EY 6.5-4-4601X |
| 462 | | | | | |
| 1 | SPL140 | 2.390-46 | 3.375 | 6.440 | EY 140-4-381-1 |
| 1 | SPL140 | 2.390-46 | 3.375 | 6.440 | EY 140-4-391-1X |
| 1 | SPL140 | 2.143-41 | 2.938 | 5.560 | EY 140-4-421-1 |
| 1 | SPL170 | 2.390-46 | 3.375 | 6.531 | EY 170-4-301-1X |
| 1 | SPL250 | 2.390-46 | 3.375 | 6.760 | EY 250-4-101-1X |
| 1 | 1550 | 2.143-41 | 2.938 | 4.500 | EY 4-4-5581-1 |
| 1 | 1610 | 2.143-41 | 2.938 | 5.250 | EY 5-4-7271-1 |
| 1 | 1610 | 2.143-41 | 2.938 | 6.000 | EY 5-4-7561 |
| 1 | 1610 | 2.143-41 | 2.938 | 6.000 | EY 5-4-7561-1 |
| 1 | 1610 | 2.143-41 | 2.938 | 5.250 | EY 5-4-9111-1X |
| 1 | 1610 | 2.143-41 | 2.938 | 6.000 | EY 5-4-9121-1X |
| 1 | 1610 | 2.143-41 | 2.938 | 6.000 | EY 5-4-9121X |
| 1 | 1710 | 2.390-46 | 3.375 | 6.000 | EY 6-4-7511 |
| 1 | 1710 | 2.390-46 | 3.375 | 6.000 | EY 6-4-7511-1 |
| 1 | 1710 | 2.390-46 | 3.375 | 6.000 | EY 6-4-9201-1X |
| 1 | 1760 | 2.143-41 | 2.938 | 5.250 | EY 6.3-4-1061 |
| 1 | 1760 | 2.143-41 | 2.938 | 5.250 | EY 6.3-4-1061-1 |
| 1 | 1760 | 2.390-46 | 3.375 | 6.000 | EY 6.3-4-1151 |
| 1 | 1760 | 2.390-46 | 3.375 | 6.000 | EY 6.3-4-1151-1 |
| 1 | 1760 | 2.143-41 | 2.938 | 5.250 | EY 6.3-4-1631-1X |
| 1 | 1760 | 2.390-46 | 3.375 | 6.000 | EY 6.3-4-1651-1X |
| 1 | 1760 | 2.390-46 | 3.375 | 6.000 | EY 6.3-4-1651X |
| 1 | 1810 | 2.390-46 | 3.375 | 6.000 | EY 6.5-4-3911 |
| 1 | 1810 | 2.390-46 | 3.375 | 6.000 | EY 6.5-4-3911-1 |
| 1 | 1810 | 2.390-46 | 3.375 | 6.000 | EY 6.5-4-4611-1X |
| 1 | 1810 | 2.390-46 | 3.375 | 6.000 | EY 6.5-4-4611X |
| 2 | 1610 | 2.143-41 | 2.938 | 6.500 | EY 5-4-7551-1 |
| 2 | 1610 | 2.143-41 | 2.938 | 6.500 | EY 5-4-9131-1X |
| 2 | 1710 | 2.143-41 | 2.938 | 6.625 | EY 6-4-7541-1 <i>High angle yoke</i> |
| 2 | 1710 | 2.143-41 | 2.938 | 6.625 | EY 6-4-9191-1X <i>High angle yoke</i> |
| 2 | 1710 | 2.143-41 | 2.938 | 6.625 | EY 6-4-9191X <i>High angle yoke</i> |
| 2 | 1760 | 2.143-41 | 2.938 | 5.812 | EY 6.3-4-1641X |
| 2 | 1810 | 2.143-41 | 2.938 | 5.812 | EY 6.5-4-4621X |
| 3 | 1810 | 2.143-41 | 2.938 | 3.500 | CF 6.5-1-2941 |
| 3 | SPL140 | 2.143-41 | 2.938 | 5.560 | EY 140-4-431-1X |
| 3 | SPL170 | 2.143-41 | 2.938 | 5.320 | EY 170-4-361-1X |
| 3 | SPL170 | 2.143-41 | 2.938 | 6.680 | EY 170-4-381-1X <i>High angle yoke</i> |
| 3 | SPL90 | 2.143-41 | 2.938 | 4.562 | EY 90-4-471-1 |
| 3 | SPL90 | 2.143-41 | 2.938 | 4.562 | EY 90-4-691-1X |
| 3 | 1550 | 2.143-41 | 2.938 | 4.500 | EY 4-4-5581-1 |

Continued on next page

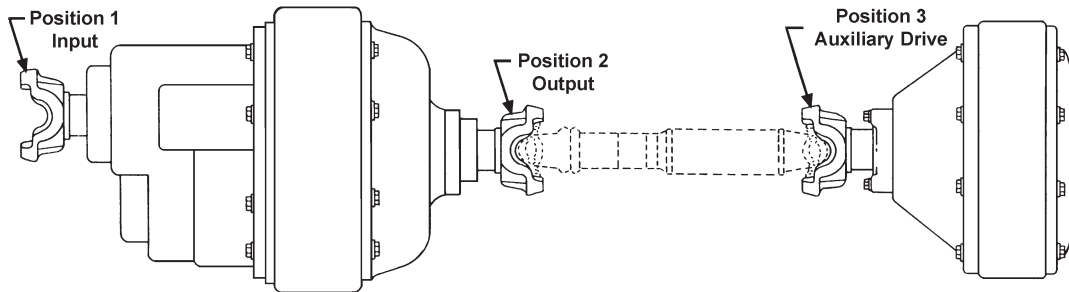
*C/L to End of Hub for EY (End Yoke); Flange Face to End of Hub for CF (Companion Flange)

■ Hub machined for speedometer gear



Important: See Safety Information in General Information Section (J300P-GI)

TANDEM AXLES



| Pos | Series | Spline Data | Hub Dia | * to End of Hub | End Fitting Part Number |
|-----|--------|-------------|---------|-----------------|-------------------------|
|-----|--------|-------------|---------|-----------------|-------------------------|

462 (Continued)

| | | | | | |
|---|------|----------|-------|-------|--|
| 3 | 1610 | 2.143-41 | 2.938 | 6.000 | EY 5-4-7571-1X |
| 3 | 1610 | 2.143-41 | 2.938 | 5.250 | EY 5-4-9111-1X |
| 3 | 1610 | 2.143-41 | 2.938 | 6.000 | EY 5-4-9121X |
| 3 | 1710 | 2.143-41 | 2.938 | 5.190 | EY 6-4-7311 |
| 3 | 1710 | 2.143-41 | 2.938 | 5.190 | EY 6-4-7311-1 |
| 3 | 1710 | 2.143-41 | 2.938 | 6.125 | EY 6-4-7551 <i>High angle yoke</i> |
| 3 | 1710 | 2.143-41 | 2.938 | 6.125 | EY 6-4-7551-1 <i>High angle yoke</i> |
| 3 | 1710 | 2.143-41 | 2.938 | 5.190 | EY 6-4-9171-1X |
| 3 | 1710 | 2.143-41 | 2.938 | 5.190 | EY 6-4-9171X |
| 3 | 1710 | 2.143-41 | 2.938 | 6.125 | EY 6-4-9181-1X <i>High angle yoke</i> |
| 3 | 1710 | 2.143-41 | 2.938 | 6.125 | EY 6-4-9181X <i>High angle yoke</i> |
| 3 | 1810 | 2.143-41 | 2.938 | 5.250 | EY 6.5-4-3681 |
| 3 | 1810 | 2.143-41 | 2.938 | 5.250 | EY 6.5-4-3681-1 |
| 3 | 1810 | 2.143-41 | 2.938 | 5.250 | EY 6.5-4-3691-1X |
| 3 | 1810 | 2.143-41 | 2.938 | 5.250 | EY 6.5-4-4601-1X |
| 3 | 1810 | 2.143-41 | 2.938 | 5.250 | EY 6.5-4-4601X |

463

| | | | | | |
|---|--------|----------|-------|-------|---|
| 1 | SPL170 | 2.390-46 | 3.375 | 6.531 | EY 170-4-301-1X |
| 1 | SPL250 | 2.390-46 | 3.375 | 6.760 | EY 250-4-101-1X |
| 1 | 1710 | 2.390-46 | 3.375 | 6.000 | EY 6-4-9201-1X |
| 1 | 1760 | 2.390-46 | 3.375 | 6.000 | EY 6.3-4-1651-1X |
| 1 | 1760 | 2.390-46 | 3.375 | 6.000 | EY 6.3-4-1651X |
| 1 | 1810 | 2.390-46 | 3.375 | 6.000 | EY 6.5-4-4611-1X |
| 1 | 1810 | 2.390-46 | 3.375 | 6.000 | EY 6.5-4-4611X |
| 2 | 1710 | 2.143-41 | 2.938 | 6.625 | EY 6-4-9191-1X <i>High angle yoke</i> |
| 2 | 1710 | 2.143-41 | 2.938 | 6.625 | EY 6-4-9191X <i>High angle yoke</i> |
| 2 | 1810 | 2.143-41 | 2.938 | 5.812 | EY 6.5-4-4621X |
| 3 | SPL170 | 2.143-41 | 2.938 | 5.320 | EY 170-4-361-1X |
| 3 | SPL170 | 2.143-41 | 2.938 | 6.680 | EY 170-4-381-1X <i>High angle yoke</i> |
| 3 | 1610 | 2.143-41 | 2.938 | 5.250 | EY 5-4-9111-1X |
| 3 | 1610 | 2.143-41 | 2.938 | 6.000 | EY 5-4-9121X |
| 3 | 1710 | 2.143-41 | 2.938 | 6.125 | EY 6-4-9181-1X <i>High angle yoke</i> |
| 3 | 1710 | 2.143-41 | 2.938 | 6.125 | EY 6-4-9181X <i>High angle yoke</i> |
| 3 | 1810 | 2.143-41 | 2.938 | 5.250 | EY 6.5-4-4601X |

466

| | | | | | |
|---|------|----------|-------|-------|------------------|
| 1 | 1710 | 2.390-46 | 3.375 | 6.000 | EY 6-4-7531-1X |
| 1 | 1710 | 2.390-46 | 3.375 | 6.000 | EY 6-4-7531X |
| 1 | 1760 | 2.390-46 | 3.375 | 6.000 | EY 6.3-4-1161-1X |
| 1 | 1760 | 2.390-46 | 3.375 | 6.000 | EY 6.3-4-1161X |
| 1 | 1810 | 2.390-46 | 3.375 | 6.000 | EY 6.5-4-3921-1X |

| Pos | Series | Spline Data | Hub Dia | * to End of Hub | End Fitting Part Number |
|-----|--------|-------------|---------|-----------------|-------------------------|
|-----|--------|-------------|---------|-----------------|-------------------------|

466 (Continued)

| | | | | | |
|---|------|----------|-------|-------|--|
| 1 | 1810 | 2.390-46 | 3.375 | 6.000 | EY 6.5-4-3921X |
| 2 | 1710 | 2.143-41 | 2.938 | 6.625 | EY 6-4-7541 <i>High angle yoke</i> |
| 2 | 1710 | 2.143-41 | 2.938 | 6.625 | EY 6-4-7651-1X <i>High angle yoke</i> |
| 2 | 1710 | 2.143-41 | 2.938 | 6.625 | EY 6-4-7651X <i>High angle yoke</i> |
| 2 | 1760 | 2.143-41 | 2.938 | 5.812 | EY 6.3-4-1171 |
| 2 | 1810 | 2.143-41 | 2.938 | 5.812 | EY 6.5-4-3931 |
| 3 | 1550 | 2.143-41 | 2.938 | 4.500 | EY 4-4-5701-1X |
| 3 | 1610 | 2.143-41 | 2.938 | 5.250 | EY 5-4-7311-1X |
| 3 | 1610 | 2.143-41 | 2.938 | 6.000 | EY 5-4-7571X |
| 3 | 1710 | 2.143-41 | 2.938 | 5.190 | EY 6-4-7321-1X |
| 3 | 1710 | 2.143-41 | 2.938 | 6.125 | EY 6-4-7561X <i>High angle yoke</i> |
| 3 | 1760 | 2.143-41 | 2.938 | 5.250 | EY 6.3-4-1071-1X |
| 3 | 1760 | 2.143-41 | 2.938 | 5.250 | EY 6.3-4-1071X |
| 3 | 1810 | 2.143-41 | 2.938 | 5.250 | EY 6.5-4-3691X |

480

| | | | | | |
|---|------|----------|-------|-------|--|
| 1 | 1610 | 2.422-18 | 3.375 | 6.125 | EY 5-4-5491-1X |
| 1 | 1710 | 2.422-18 | 3.375 | 5.250 | EY 6-4-3161 |
| 1 | 1710 | 2.422-18 | 3.375 | 5.812 | EY 6-4-4581 |
| 1 | 1710 | 2.422-18 | 3.375 | 5.812 | EY 6-4-4581-1 |
| 1 | 1710 | 2.422-18 | 3.375 | 5.812 | EY 6-4-4751-1X |
| 1 | 1710 | 2.422-18 | 3.375 | 5.812 | EY 6-4-4751X |
| 1 | 1760 | 2.422-18 | 3.375 | 6.000 | EY 6.3-4-241-1X |
| 1 | 1760 | 2.422-18 | 3.375 | 6.000 | EY 6.3-4-241X |
| 1 | 1810 | 2.422-18 | 3.375 | 5.812 | EY 6.5-4-1991 |
| 1 | 1810 | 2.422-18 | 3.375 | 5.812 | EY 6.5-4-1991-1 |
| 1 | 1810 | 2.422-18 | 3.375 | 5.812 | EY 6.5-4-2361-1X |
| 1 | 1810 | 2.422-18 | 3.375 | 5.812 | EY 6.5-4-2361X |
| 2 | 1610 | 2.149-16 | 2.938 | 6.250 | EY 5-4-5161-1X |
| 2 | 1610 | 2.149-16 | 2.938 | 6.250 | EY 5-4-5161X <i>High angle yoke</i> |
| 2 | 1610 | 2.149-16 | 2.938 | 6.500 | EY 5-4-5511X <i>High angle yoke</i> |
| 2 | 1710 | 2.149-16 | 2.938 | 5.500 | EY 6-4-4171-1X |
| 2 | 1710 | 2.149-16 | 2.938 | 5.500 | EY 6-4-4171X |
| 2 | 1710 | 2.149-16 | 2.938 | 6.625 | EY 6-4-4591 <i>High angle yoke</i> |
| 2 | 1710 | 2.149-16 | 2.938 | 6.625 | EY 6-4-5481X <i>High angle yoke</i> |
| 2 | 1760 | 2.149-16 | 2.938 | 5.812 | EY 6.3-4-141-1 |
| 2 | 1760 | 2.149-16 | 2.938 | 5.812 | EY 6.3-4-251-1X |
| 2 | 1760 | 2.149-16 | 2.938 | 5.812 | EY 6.3-4-251X |
| 2 | 1810 | 2.422-18 | 3.375 | 5.812 | EY 6.5-4-1991 |
| 2 | 1810 | 2.149-16 | 2.938 | 5.812 | EY 6.5-4-2291-1 |
| 2 | 1810 | 2.149-16 | 2.938 | 5.812 | EY 6.5-4-2401-1X |
| 2 | 1810 | 2.149-16 | 2.938 | 5.812 | EY 6.5-4-2401X |

*C/L to End of Hub for EY (End Yoke); Flange Face to End of Hub for CF (Companion Flange)

■ Hub machined for speedometer gear



| Pos | Series | Spline Data | Hub Dia | * to End of Hub | End Fitting Part Number |
|------------------------|--------|-------------|---------|-----------------|--|
| 480 (Continued) | | | | | |
| 3 | 1610 | 2.149-16 | 2.938 | 6.250 | EY 5-4-5161-1X |
| 3 | 1610 | 2.149-16 | 2.938 | 6.250 | EY 5-4-5161X <i>High angle yoke</i> |
| 3 | 1610 | 2.149-16 | 2.938 | 6.500 | EY 5-4-5511X <i>High angle yoke</i> |
| 3 | 1710 | 2.149-16 | 2.938 | 5.500 | EY 6-4-4171-1X |
| 3 | 1710 | 2.149-16 | 2.938 | 5.500 | EY 6-4-4171X |
| 3 | 1710 | 2.149-16 | 2.938 | 6.625 | EY 6-4-5481X <i>High angle yoke</i> |
| 3 | 1760 | 2.149-16 | 2.938 | 5.812 | EY 6.3-4-141-1 |
| 3 | 1760 | 2.149-16 | 2.938 | 5.812 | EY 6.3-4-251-1X |
| 3 | 1760 | 2.149-16 | 2.938 | 5.812 | EY 6.3-4-251X |
| 3 | 1810 | 2.422-18 | 3.375 | 5.812 | EY 6.5-4-1991 |
| 3 | 1810 | 2.149-16 | 2.938 | 5.812 | EY 6.5-4-2291-1 |
| 3 | 1810 | 2.149-16 | 2.938 | 5.812 | EY 6.5-4-2401-1X |
| 3 | 1810 | 2.149-16 | 2.938 | 5.812 | EY 6.5-4-2401X |

| | | | | | |
|------------|--------|----------|-------|-------|---|
| 481 | | | | | |
| 1 | SPL140 | 2.390-46 | 3.375 | 6.440 | EY 140-4-381-1 |
| 1 | SPL140 | 2.390-46 | 3.375 | 6.440 | EY 140-4-391-1X |
| 1 | SPL140 | 2.143-41 | 2.938 | 5.560 | EY 140-4-421-1 |
| 1 | SPL170 | 2.390-46 | 3.375 | 6.531 | EY 170-4-291-1 |
| 1 | SPL170 | 2.390-46 | 3.375 | 6.531 | EY 170-4-301-1X |
| 1 | SPL250 | 2.390-46 | 3.375 | 6.760 | EY 250-4-101-1X |
| 1 | SPL250 | 2.390-46 | 3.375 | 6.760 | EY 250-4-91-1 |
| 1 | 1550 | 2.143-41 | 2.938 | 4.500 | EY 4-4-5581-1 |
| 1 | 1610 | 2.143-41 | 2.938 | 5.250 | EY 5-4-7271-1 |
| 1 | 1610 | 2.143-41 | 2.938 | 6.000 | EY 5-4-7561 |
| 1 | 1610 | 2.143-41 | 2.938 | 6.000 | EY 5-4-7561-1 |
| 1 | 1610 | 2.143-41 | 2.938 | 5.250 | EY 5-4-9111-1X |
| 1 | 1610 | 2.143-41 | 2.938 | 6.000 | EY 5-4-9121-1X |
| 1 | 1610 | 2.143-41 | 2.938 | 6.000 | EY 5-4-9121X |
| 1 | 1710 | 2.390-46 | 3.375 | 6.000 | EY 6-4-7511 |
| 1 | 1710 | 2.390-46 | 3.375 | 6.000 | EY 6-4-7511-1 |
| 1 | 1710 | 2.390-46 | 3.375 | 6.000 | EY 6-4-9201-1X |
| 1 | 1760 | 2.143-41 | 2.938 | 5.250 | EY 6.3-4-1061 |
| 1 | 1760 | 2.143-41 | 2.938 | 5.250 | EY 6.3-4-1061-1 |
| 1 | 1760 | 2.390-46 | 3.375 | 6.000 | EY 6.3-4-1151 |
| 1 | 1760 | 2.390-46 | 3.375 | 6.000 | EY 6.3-4-1151-1 |
| 1 | 1760 | 2.390-46 | 3.375 | 6.000 | EY 6.3-4-1161-1X |
| 1 | 1760 | 2.390-46 | 3.375 | 6.000 | EY 6.3-4-1161X |
| 1 | 1760 | 2.143-41 | 2.938 | 5.250 | EY 6.3-4-1631-1X |
| 1 | 1760 | 2.390-46 | 3.375 | 6.000 | EY 6.3-4-1651-1X |
| 1 | 1760 | 2.390-46 | 3.375 | 6.000 | EY 6.3-4-1651X |
| 1 | 1810 | 2.390-46 | 3.375 | 6.000 | EY 6.5-4-3911 |
| 1 | 1810 | 2.390-46 | 3.375 | 6.000 | EY 6.5-4-3911-1 |
| 1 | 1810 | 2.390-46 | 3.375 | 6.000 | EY 6.5-4-3921-1X |
| 1 | 1810 | 2.390-46 | 3.375 | 6.000 | EY 6.5-4-3921X |
| 1 | 1810 | 2.390-46 | 3.375 | 6.000 | EY 6.5-4-4611-1X |
| 1 | 1810 | 2.390-46 | 3.375 | 6.000 | EY 6.5-4-4611X |
| 2 | SPL170 | 2.143-41 | 2.938 | 7.190 | EY 170-4-311-1 |
| 2 | SPL170 | 2.143-41 | 2.938 | 7.190 | EY 170-4-321-1X <i>High angle yoke</i> |
| 2 | SPL170 | 2.143-41 | 2.938 | 5.800 | EY 170-4-331-1 |
| 2 | SPL170 | 2.143-41 | 2.938 | 5.800 | EY 170-4-341-1X |
| 2 | 1610 | 2.143-41 | 2.938 | 6.500 | EY 5-4-7551-1 |
| 2 | 1610 | 2.143-41 | 2.938 | 6.500 | EY 5-4-9131-1X |
| 2 | 1710 | 2.143-41 | 2.938 | 6.625 | EY 6-4-7541 <i>High angle yoke</i> |
| 2 | 1710 | 2.143-41 | 2.938 | 6.625 | EY 6-4-7541-1 <i>High angle yoke</i> |

| Pos | Series | Spline Data | Hub Dia | * to End of Hub | End Fitting Part Number |
|------------------------|--------|-------------|---------|-----------------|---|
| 481 (Continued) | | | | | |
| 2 | 1710 | 2.143-41 | 2.938 | 6.625 | EY 6-4-9191-1X <i>High angle yoke</i> |
| 2 | 1710 | 2.143-41 | 2.938 | 6.625 | EY 6-4-9191X <i>High angle yoke</i> |
| 2 | 1760 | 2.143-41 | 2.938 | 5.812 | EY 6.3-4-1171 |
| 2 | 1760 | 2.143-41 | 2.938 | 5.812 | EY 6.3-4-1641X |
| 2 | 1810 | 2.143-41 | 2.938 | 5.812 | EY 6.5-4-3931 |
| 2 | 1810 | 2.143-41 | 2.938 | 5.812 | EY 6.5-4-4621X |
| 3 | 1810 | 2.143-41 | 2.938 | 3.500 | CF 6.5-1-2941 |
| 3 | SPL140 | 2.143-41 | 2.938 | 5.560 | EY 140-4-431-1X |
| 3 | SPL170 | 2.143-41 | 2.938 | 5.320 | EY 170-4-351-1 |
| 3 | SPL170 | 2.143-41 | 2.938 | 5.320 | EY 170-4-361-1X |
| 3 | SPL170 | 2.143-41 | 2.938 | 6.680 | EY 170-4-371-1 <i>High angle yoke</i> |
| 3 | SPL170 | 2.143-41 | 2.938 | 6.680 | EY 170-4-381-1X <i>High angle yoke</i> |
| 3 | SPL250 | 2.143-41 | 2.938 | 5.490 | EY 250-4-131-1 |
| 3 | SPL250 | 2.143-41 | 2.938 | 5.490 | EY 250-4-141-1X |
| 3 | SPL90 | 2.143-41 | 2.938 | 4.562 | EY 90-4-471-1 |
| 3 | SPL90 | 2.143-41 | 2.938 | 4.562 | EY 90-4-691-1X |
| 3 | 1550 | 2.143-41 | 2.938 | 4.500 | EY 4-4-5581-1 |
| 3 | 1610 | 2.143-41 | 2.938 | 6.000 | EY 5-4-7571-1X |
| 3 | 1610 | 2.143-41 | 2.938 | 6.000 | EY 5-4-7571X |
| 3 | 1710 | 2.143-41 | 2.938 | 5.190 | EY 6-4-7311 |
| 3 | 1710 | 2.143-41 | 2.938 | 5.190 | EY 6-4-7311-1 |
| 3 | 1710 | 2.143-41 | 2.938 | 5.190 | EY 6-4-7321-1X |
| 3 | 1710 | 2.143-41 | 2.938 | 6.125 | EY 6-4-7551 <i>High angle yoke</i> |
| 3 | 1710 | 2.143-41 | 2.938 | 6.125 | EY 6-4-7551-1 <i>High angle yoke</i> |
| 3 | 1710 | 2.143-41 | 2.938 | 6.125 | EY 6-4-7561-1X <i>High angle yoke</i> |
| 3 | 1710 | 2.143-41 | 2.938 | 6.125 | EY 6-4-7561X <i>High angle yoke</i> |
| 3 | 1710 | 2.143-41 | 2.938 | 5.190 | EY 6-4-9171-1X |
| 3 | 1710 | 2.143-41 | 2.938 | 5.190 | EY 6-4-9171X |
| 3 | 1710 | 2.143-41 | 2.938 | 6.125 | EY 6-4-9181-1X <i>High angle yoke</i> |
| 3 | 1710 | 2.143-41 | 2.938 | 6.125 | EY 6-4-9181X <i>High angle yoke</i> |
| 3 | 1760 | 2.143-41 | 2.938 | 5.250 | EY 6.3-4-1071-1X |
| 3 | 1760 | 2.143-41 | 2.938 | 5.250 | EY 6.3-4-1071X |
| 3 | 1810 | 2.143-41 | 2.938 | 5.250 | EY 6.5-4-3681 |
| 3 | 1810 | 2.143-41 | 2.938 | 5.250 | EY 6.5-4-3681-1 |
| 3 | 1810 | 2.143-41 | 2.938 | 5.250 | EY 6.5-4-3691-1X |
| 3 | 1810 | 2.143-41 | 2.938 | 5.250 | EY 6.5-4-3691X |
| 3 | 1810 | 2.143-41 | 2.938 | 5.250 | EY 6.5-4-4601-1X |
| 3 | 1810 | 2.143-41 | 2.938 | 5.250 | EY 6.5-4-4601X |

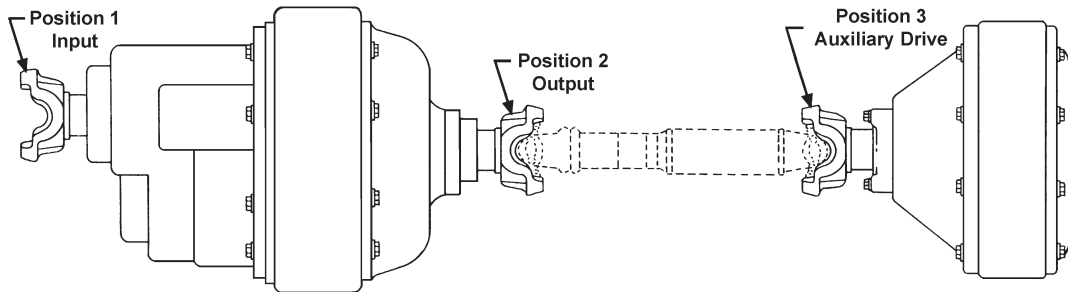
| | | | | | |
|------------|--------|----------|-------|-------|-----------------|
| 521 | | | | | |
| 1 | SPL140 | 2.390-46 | 3.375 | 6.440 | EY 140-4-381-1 |
| 1 | SPL140 | 2.390-46 | 3.375 | 6.440 | EY 140-4-391-1X |
| 1 | SPL170 | 2.390-46 | 3.375 | 6.531 | EY 170-4-291-1 |
| 1 | SPL170 | 2.390-46 | 3.375 | 6.531 | EY 170-4-301-1X |
| 1 | SPL250 | 2.390-46 | 3.375 | 6.760 | EY 250-4-101-1X |
| 1 | SPL250 | 2.390-46 | 3.375 | 6.760 | EY 250-4-91-1 |
| 1 | 1550 | 2.143-41 | 2.938 | 4.500 | EY 4-4-5581-1 |
| 1 | 1610 | 2.143-41 | 2.938 | 5.250 | EY 5-4-7271-1 |
| 1 | 1610 | 2.143-41 | 2.938 | 6.000 | EY 5-4-7561 |
| 1 | 1610 | 2.143-41 | 2.938 | 6.000 | EY 5-4-7561-1 |

Continued on next page

*C/L to End of Hub for EY (End Yoke); Flange Face to End of Hub for CF (Companion Flange)

■ Hub machined for speedometer gear





| Pos | Series | Spline Data | Hub Dia | * to End of Hub | End Fitting Part Number |
|-----|--------|-------------|---------|-----------------|-------------------------|
|-----|--------|-------------|---------|-----------------|-------------------------|

521 (Continued)

| | | | | | |
|---|--------|----------|-------|-------|---|
| 1 | 1610 | 2.143-41 | 2.938 | 5.250 | EY 5-4-9111-1X |
| 1 | 1610 | 2.143-41 | 2.938 | 6.000 | EY 5-4-9121-1X |
| 1 | 1610 | 2.143-41 | 2.938 | 6.000 | EY 5-4-9121X |
| 1 | 1710 | 2.390-46 | 3.375 | 6.000 | EY 6-4-7511 |
| 1 | 1710 | 2.390-46 | 3.375 | 6.000 | EY 6-4-7511-1 |
| 1 | 1710 | 2.390-46 | 3.375 | 6.000 | EY 6-4-7531-1X |
| 1 | 1710 | 2.390-46 | 3.375 | 6.000 | EY 6-4-7531X |
| 1 | 1710 | 2.390-46 | 3.375 | 6.000 | EY 6-4-9201-1X |
| 1 | 1760 | 2.143-41 | 2.938 | 5.250 | EY 6.3-4-1061 |
| 1 | 1760 | 2.143-41 | 2.938 | 5.250 | EY 6.3-4-1061-1 |
| 1 | 1760 | 2.390-46 | 3.375 | 6.000 | EY 6.3-4-1151 |
| 1 | 1760 | 2.390-46 | 3.375 | 6.000 | EY 6.3-4-1151-1 |
| 1 | 1760 | 2.390-46 | 3.375 | 6.000 | EY 6.3-4-1161-1X |
| 1 | 1760 | 2.390-46 | 3.375 | 6.000 | EY 6.3-4-1161X |
| 1 | 1760 | 2.143-41 | 2.938 | 5.250 | EY 6.3-4-1631-1X |
| 1 | 1760 | 2.390-46 | 3.375 | 6.000 | EY 6.3-4-1651-1X |
| 1 | 1760 | 2.390-46 | 3.375 | 6.000 | EY 6.3-4-1651X |
| 1 | 1810 | 2.390-46 | 3.375 | 6.000 | EY 6.5-4-3911 |
| 1 | 1810 | 2.390-46 | 3.375 | 6.000 | EY 6.5-4-3911-1 |
| 1 | 1810 | 2.390-46 | 3.375 | 6.000 | EY 6.5-4-3921-1X |
| 1 | 1810 | 2.390-46 | 3.375 | 6.000 | EY 6.5-4-3921X |
| 1 | 1810 | 2.390-46 | 3.375 | 6.000 | EY 6.5-4-4611-1X |
| 1 | 1810 | 2.390-46 | 3.375 | 6.000 | EY 6.5-4-4611X |
| 2 | SPL170 | 2.143-41 | 2.938 | 7.190 | EY 170-4-311-1 |
| 2 | SPL170 | 2.143-41 | 2.938 | 7.190 | EY 170-4-321-1X <i>High angle yoke</i> |
| 2 | SPL170 | 2.143-41 | 2.938 | 5.800 | EY 170-4-331-1 |
| 2 | SPL170 | 2.143-41 | 2.938 | 5.800 | EY 170-4-341-1X |
| 2 | 1610 | 2.143-41 | 2.938 | 6.500 | EY 5-4-7551-1 |
| 2 | 1610 | 2.143-41 | 2.938 | 6.500 | EY 5-4-9131-1X |
| 2 | 1710 | 2.143-41 | 2.938 | 6.625 | EY 6-4-7541 <i>High angle yoke</i> |
| 2 | 1710 | 2.143-41 | 2.938 | 6.625 | EY 6-4-7541-1 <i>High angle yoke</i> |
| 2 | 1710 | 2.143-41 | 2.938 | 6.625 | EY 6-4-9191-1X <i>High angle yoke</i> |
| 2 | 1710 | 2.143-41 | 2.938 | 6.625 | EY 6-4-9191X <i>High angle yoke</i> |
| 2 | 1760 | 2.143-41 | 2.938 | 5.812 | EY 6.3-4-1171 |
| 2 | 1760 | 2.143-41 | 2.938 | 5.812 | EY 6.3-4-1641X |
| 2 | 1810 | 2.143-41 | 2.938 | 5.812 | EY 6.5-4-3931 |
| 2 | 1810 | 2.143-41 | 2.938 | 5.812 | EY 6.5-4-4621X |
| 3 | 1810 | 2.143-41 | 2.938 | 3.500 | CF 6.5-1-2941 |
| 3 | SPL140 | 2.143-41 | 2.938 | 5.560 | EY 140-4-421-1 |
| 3 | SPL140 | 2.143-41 | 2.938 | 5.560 | EY 140-4-431-1X |
| 3 | SPL170 | 2.143-41 | 2.938 | 5.320 | EY 170-4-351-1 |
| 3 | SPL170 | 2.143-41 | 2.938 | 5.320 | EY 170-4-361-1X |
| 3 | SPL170 | 2.143-41 | 2.938 | 6.680 | EY 170-4-371-1 <i>High angle yoke</i> |

| Pos | Series | Spline Data | Hub Dia | * to End of Hub | End Fitting Part Number |
|-----|--------|-------------|---------|-----------------|-------------------------|
|-----|--------|-------------|---------|-----------------|-------------------------|

521 (Continued)

| | | | | | |
|-----------------|--------|----------|-------|-------|---|
| 3 | SPL170 | 2.143-41 | 2.938 | 6.680 | EY 170-4-381-1X <i>High angle yoke</i> |
| 3 | SPL250 | 2.143-41 | 2.938 | 5.490 | EY 250-4-131-1 |
| 3 | SPL250 | 2.143-41 | 2.938 | 5.490 | EY 250-4-141-1X |
| 3 | SPL90 | 2.143-41 | 2.938 | 4.562 | EY 90-4-471-1 |
| 3 | SPL90 | 2.143-41 | 2.938 | 4.562 | EY 90-4-691-1X |
| 3 | 1550 | 2.143-41 | 2.938 | 4.500 | EY 4-4-5581-1 |
| 3 | 1550 | 2.143-41 | 2.938 | 4.500 | EY 4-4-5701-1X |
| 3 | 1610 | 2.143-41 | 2.938 | 5.250 | EY 5-4-7311-1X |
| 3 | 1610 | 2.143-41 | 2.938 | 6.000 | EY 5-4-7571-1X |
| 3 | 1610 | 2.143-41 | 2.938 | 6.000 | EY 5-4-7571X |
| 3 | 1610 | 2.143-41 | 2.938 | 5.250 | EY 5-4-9111-1X |
| 3 | 1610 | 2.143-41 | 2.938 | 6.000 | EY 5-4-9121X |
| 3 | 1710 | 2.143-41 | 2.938 | 5.190 | EY 6-4-7311 |
| 3 | 1710 | 2.143-41 | 2.938 | 5.190 | EY 6-4-7311-1 |
| 3 | 1710 | 2.143-41 | 2.938 | 5.190 | EY 6-4-7321-1X |
| 3 | 1710 | 2.143-41 | 2.938 | 6.125 | EY 6-4-7551 <i>High angle yoke</i> |
| 3 | 1710 | 2.143-41 | 2.938 | 6.125 | EY 6-4-7551-1 <i>High angle yoke</i> |
| 3 | 1710 | 2.143-41 | 2.938 | 6.125 | EY 6-4-7561-1X <i>High angle yoke</i> |
| 3 | 1710 | 2.143-41 | 2.938 | 6.125 | EY 6-4-7561X <i>High angle yoke</i> |
| 3 | 1710 | 2.143-41 | 2.938 | 5.190 | EY 6-4-9171-1X |
| 3 | 1710 | 2.143-41 | 2.938 | 5.190 | EY 6-4-9171X |
| 3 | 1710 | 2.143-41 | 2.938 | 6.125 | EY 6-4-9181-1X <i>High angle yoke</i> |
| 3 | 1710 | 2.143-41 | 2.938 | 6.125 | EY 6-4-9181X <i>High angle yoke</i> |
| 3 | 1760 | 2.143-41 | 2.938 | 5.250 | EY 6.3-4-1071-1X |
| 3 | 1760 | 2.143-41 | 2.938 | 5.250 | EY 6.3-4-1071X |
| 3 | 1810 | 2.143-41 | 2.938 | 5.250 | EY 6.5-4-3681 |
| 3 | 1810 | 2.143-41 | 2.938 | 5.250 | EY 6.5-4-3681-1 |
| 3 | 1810 | 2.143-41 | 2.938 | 5.250 | EY 6.5-4-3691-1X |
| 3 | 1810 | 2.143-41 | 2.938 | 5.250 | EY 6.5-4-3691X |
| 3 | 1810 | 2.143-41 | 2.938 | 5.250 | EY 6.5-4-4601-1X |
| 3 | 1810 | 2.143-41 | 2.938 | 5.250 | EY 6.5-4-4601X |
| 580 | | | | | |
| 1 | 1710 | 2.422-18 | 3.375 | 5.812 | EY 6-4-4581 |
| 1 | 1710 | 2.422-18 | 3.375 | 5.812 | EY 6-4-4581-1 |
| 1 | 1810 | 2.422-18 | 3.375 | 5.812 | EY 6.5-4-1991 |
| 1 | 1810 | 2.422-18 | 3.375 | 5.812 | EY 6.5-4-1991-1 |
| 581, 601 | | | | | |
| 1 | SPL140 | 2.390-46 | 3.375 | 6.440 | EY 140-4-381-1 |
| 1 | SPL140 | 2.390-46 | 3.375 | 6.440 | EY 140-4-391-1X |
| 1 | SPL170 | 2.390-46 | 3.375 | 6.531 | EY 170-4-291-1 |
| 1 | SPL170 | 2.390-46 | 3.375 | 6.531 | EY 170-4-301-1X |

*C/L to End of Hub for EY (End Yoke); Flange Face to End of Hub for CF (Companion Flange)

■ Hub machined for speedometer gear



| Pos | Series | Spline Data | Hub Dia | * to End of Hub | End Fitting Part Number |
|-----------------------------|--------|-------------|---------|-----------------|---|
| 581, 601 (Continued) | | | | | |
| 1 | SPL250 | 2.390-46 | 3.375 | 6.760 | EY 250-4-101-1X |
| 1 | SPL250 | 2.390-46 | 3.375 | 6.760 | EY 250-4-91-1 |
| 1 | 1550 | 2.143-41 | 2.938 | 4.500 | EY 4-4-5581-1 |
| 1 | 1610 | 2.143-41 | 2.938 | 5.250 | EY 5-4-7271-1 |
| 1 | 1610 | 2.143-41 | 2.938 | 6.000 | EY 5-4-7561 |
| 1 | 1610 | 2.143-41 | 2.938 | 6.000 | EY 5-4-7561-1 |
| 1 | 1610 | 2.143-41 | 2.938 | 5.250 | EY 5-4-9111-1X |
| 1 | 1610 | 2.143-41 | 2.938 | 6.000 | EY 5-4-9121-1X |
| 1 | 1610 | 2.143-41 | 2.938 | 6.000 | EY 5-4-9121X |
| 1 | 1710 | 2.390-46 | 3.375 | 6.000 | EY 6-4-7511 |
| 1 | 1710 | 2.390-46 | 3.375 | 6.000 | EY 6-4-7511-1 |
| 1 | 1710 | 2.390-46 | 3.375 | 6.000 | EY 6-4-7531-1X |
| 1 | 1710 | 2.390-46 | 3.375 | 6.000 | EY 6-4-7531X |
| 1 | 1710 | 2.390-46 | 3.375 | 6.000 | EY 6-4-9201-1X |
| 1 | 1760 | 2.143-41 | 2.938 | 5.250 | EY 6.3-4-1061 |
| 1 | 1760 | 2.143-41 | 2.938 | 5.250 | EY 6.3-4-1061-1 |
| 1 | 1760 | 2.390-46 | 3.375 | 6.000 | EY 6.3-4-1151 |
| 1 | 1760 | 2.390-46 | 3.375 | 6.000 | EY 6.3-4-1151-1 |
| 1 | 1760 | 2.390-46 | 3.375 | 6.000 | EY 6.3-4-1161-1X |
| 1 | 1760 | 2.390-46 | 3.375 | 6.000 | EY 6.3-4-1161X |
| 1 | 1760 | 2.143-41 | 2.938 | 5.250 | EY 6.3-4-1631-1X |
| 1 | 1760 | 2.390-46 | 3.375 | 6.000 | EY 6.3-4-1651-1X |
| 1 | 1760 | 2.390-46 | 3.375 | 6.000 | EY 6.3-4-1651X |
| 1 | 1810 | 2.390-46 | 3.375 | 6.000 | EY 6.5-4-3911 |
| 1 | 1810 | 2.390-46 | 3.375 | 6.000 | EY 6.5-4-3911-1 |
| 1 | 1810 | 2.390-46 | 3.375 | 6.000 | EY 6.5-4-3921-1X |
| 1 | 1810 | 2.390-46 | 3.375 | 6.000 | EY 6.5-4-3921X |
| 1 | 1810 | 2.390-46 | 3.375 | 6.000 | EY 6.5-4-4611-1X |
| 1 | 1810 | 2.390-46 | 3.375 | 6.000 | EY 6.5-4-4611X |
| 2 | SPL170 | 2.143-41 | 2.938 | 7.190 | EY 170-4-311-1 |
| 2 | SPL170 | 2.143-41 | 2.938 | 7.190 | EY 170-4-321-1X <i>High angle yoke</i> |
| 2 | SPL170 | 2.143-41 | 2.938 | 5.800 | EY 170-4-331-1 |
| 2 | SPL170 | 2.143-41 | 2.938 | 5.800 | EY 170-4-341-1X |
| 2 | 1610 | 2.143-41 | 2.938 | 6.500 | EY 5-4-7551-1 |
| 2 | 1610 | 2.143-41 | 2.938 | 6.500 | EY 5-4-9131-1X |
| 2 | 1710 | 2.143-41 | 2.938 | 6.625 | EY 6-4-7541 <i>High angle yoke</i> |
| 2 | 1710 | 2.143-41 | 2.938 | 6.625 | EY 6-4-7541-1 <i>High angle yoke</i> |
| 2 | 1710 | 2.143-41 | 2.938 | 6.625 | EY 6-4-9191-1X <i>High angle yoke</i> |
| 2 | 1710 | 2.143-41 | 2.938 | 6.625 | EY 6-4-9191X <i>High angle yoke</i> |
| 2 | 1760 | 2.143-41 | 2.938 | 5.812 | EY 6.3-4-1171 |
| 2 | 1760 | 2.143-41 | 2.938 | 5.812 | EY 6.3-4-1641X |
| 2 | 1810 | 2.143-41 | 2.938 | 5.812 | EY 6.5-4-3931 |
| 2 | 1810 | 2.143-41 | 2.938 | 5.812 | EY 6.5-4-4621X |
| 3 | 1810 | 2.143-41 | 2.938 | 3.500 | CF 6.5-1-2941 |
| 3 | SPL140 | 2.143-41 | 2.938 | 5.560 | EY 140-4-421-1 |
| 3 | SPL140 | 2.143-41 | 2.938 | 5.560 | EY 140-4-431-1X |
| 3 | SPL170 | 2.143-41 | 2.938 | 5.320 | EY 170-4-351-1 |
| 3 | SPL170 | 2.143-41 | 2.938 | 5.320 | EY 170-4-361-1X |
| 3 | SPL170 | 2.143-41 | 2.938 | 6.680 | EY 170-4-371-1 <i>High angle yoke</i> |
| 3 | SPL170 | 2.143-41 | 2.938 | 6.680 | EY 170-4-381-1X <i>High angle yoke</i> |
| 3 | SPL250 | 2.143-41 | 2.938 | 5.490 | EY 250-4-131-1 |
| 3 | SPL250 | 2.143-41 | 2.938 | 5.490 | EY 250-4-141-1X |

| Pos | Series | Spline Data | Hub Dia | * to End of Hub | End Fitting Part Number |
|-----------------------------|--------|-------------|---------|-----------------|--|
| 581, 601 (Continued) | | | | | |
| 3 | SPL90 | 2.143-41 | 2.938 | 4.562 | EY 90-4-471-1 |
| 3 | SPL90 | 2.143-41 | 2.938 | 4.562 | EY 90-4-691-1X |
| 3 | 1550 | 2.143-41 | 2.938 | 4.500 | EY 4-4-5581-1 |
| 3 | 1610 | 2.143-41 | 2.938 | 5.250 | EY 5-4-7311-1X |
| 3 | 1610 | 2.143-41 | 2.938 | 6.000 | EY 5-4-7571-1X |
| 3 | 1610 | 2.143-41 | 2.938 | 6.000 | EY 5-4-7571X |
| 3 | 1610 | 2.143-41 | 2.938 | 5.250 | EY 5-4-9111-1X |
| 3 | 1610 | 2.143-41 | 2.938 | 6.000 | EY 5-4-9121X |
| 3 | 1710 | 2.143-41 | 2.938 | 5.190 | EY 6-4-7311 |
| 3 | 1710 | 2.143-41 | 2.938 | 5.190 | EY 6-4-7311-1 |
| 3 | 1710 | 2.143-41 | 2.938 | 5.190 | EY 6-4-7321-1X |
| 3 | 1710 | 2.143-41 | 2.938 | 6.125 | EY 6-4-7551 <i>High angle yoke</i> |
| 3 | 1710 | 2.143-41 | 2.938 | 6.125 | EY 6-4-7551-1 <i>High angle yoke</i> |
| 3 | 1710 | 2.143-41 | 2.938 | 6.125 | EY 6-4-7561-1X <i>High angle yoke</i> |
| 3 | 1710 | 2.143-41 | 2.938 | 6.125 | EY 6-4-7561X <i>High angle yoke</i> |
| 3 | 1710 | 2.143-41 | 2.938 | 5.190 | EY 6-4-9171-1X |
| 3 | 1710 | 2.143-41 | 2.938 | 5.190 | EY 6-4-9171X |
| 3 | 1710 | 2.143-41 | 2.938 | 6.125 | EY 6-4-9181-1X <i>High angle yoke</i> |
| 3 | 1710 | 2.143-41 | 2.938 | 6.125 | EY 6-4-9181X <i>High angle yoke</i> |
| 3 | 1760 | 2.143-41 | 2.938 | 5.250 | EY 6.3-4-1071-1X |
| 3 | 1760 | 2.143-41 | 2.938 | 5.250 | EY 6.3-4-1071X |
| 3 | 1810 | 2.143-41 | 2.938 | 5.250 | EY 6.5-4-3681 |
| 3 | 1810 | 2.143-41 | 2.938 | 5.250 | EY 6.5-4-3681-1 |
| 3 | 1810 | 2.143-41 | 2.938 | 5.250 | EY 6.5-4-3691-1X |
| 3 | 1810 | 2.143-41 | 2.938 | 5.250 | EY 6.5-4-3691X |
| 3 | 1810 | 2.143-41 | 2.938 | 5.250 | EY 6.5-4-4601-1X |
| 3 | 1810 | 2.143-41 | 2.938 | 5.250 | EY 6.5-4-4601X |
| 650 | | | | | |
| 1 | 1710 | 2.422-18 | 3.375 | 5.812 | EY 6-4-4581 |
| 1 | 1710 | 2.422-18 | 3.375 | 5.812 | EY 6-4-4581-1 |
| 1 | 1710 | 2.390-46 | 3.375 | 6.000 | EY 6-4-7531-1X |
| 1 | 1710 | 2.390-46 | 3.375 | 6.000 | EY 6-4-7531X |
| 1 | 1760 | 2.390-46 | 3.375 | 6.000 | EY 6.3-4-1161-1X |
| 1 | 1760 | 2.390-46 | 3.375 | 6.000 | EY 6.3-4-1161X |
| 1 | 1810 | 2.422-18 | 3.375 | 5.812 | EY 6.5-4-1991 |
| 1 | 1810 | 2.422-18 | 3.375 | 5.812 | EY 6.5-4-1991-1 |
| 1 | 1810 | 2.390-46 | 3.375 | 6.000 | EY 6.5-4-3921-1X |
| 1 | 1810 | 2.390-46 | 3.375 | 6.000 | EY 6.5-4-3921X |
| 2 | 1710 | 2.143-41 | 2.938 | 6.625 | EY 6-4-7541 <i>High angle yoke</i> |
| 2 | 1760 | 2.143-41 | 2.938 | 5.812 | EY 6.3-4-1171 |
| 2 | 1810 | 2.143-41 | 2.938 | 5.812 | EY 6.5-4-3931 |
| 3 | 1550 | 2.143-41 | 2.938 | 4.500 | EY 4-4-5701-1X |
| 3 | 1610 | 2.143-41 | 2.938 | 5.250 | EY 5-4-7311-1X |
| 3 | 1610 | 2.143-41 | 2.938 | 6.000 | EY 5-4-7571X |
| 3 | 1710 | 2.143-41 | 2.938 | 5.190 | EY 6-4-7321-1X |
| 3 | 1710 | 2.143-41 | 2.938 | 6.125 | EY 6-4-7561X <i>High angle yoke</i> |
| 3 | 1760 | 2.143-41 | 2.938 | 5.250 | EY 6.3-4-1071-1X |
| 3 | 1760 | 2.143-41 | 2.938 | 5.250 | EY 6.3-4-1071X |
| 3 | 1810 | 2.143-41 | 2.938 | 5.250 | EY 6.5-4-3691X |

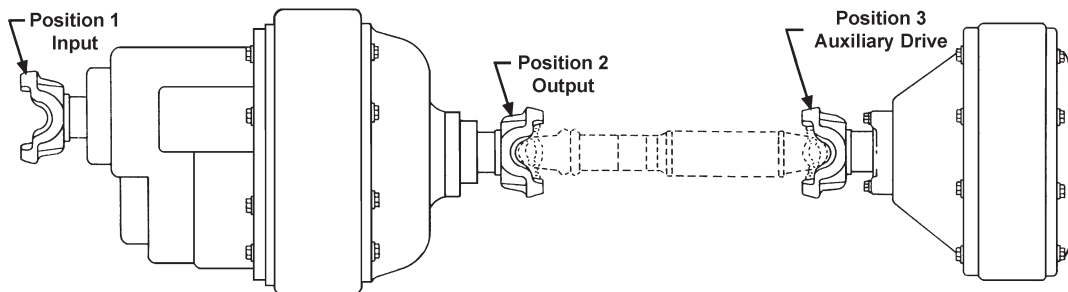
*C/L to End of Hub for EY (End Yoke); Flange Face to End of Hub for CF (Companion Flange)

■ Hub machined for speedometer gear



Important: See Safety Information in General Information Section (J300P-GI)

TANDEM AXLES



| Pos | Series | Spline Data | Hub Dia | * to End of Hub | End Fitting Part Number |
|-----|--------|-------------|---------|-----------------|-------------------------|
|-----|--------|-------------|---------|-----------------|-------------------------|

| | | | | | |
|-----|--------|----------|-------|-------|---|
| 651 | | | | | |
| 1 | SPL140 | 2.390-46 | 3.375 | 6.440 | EY 140-4-381-1 |
| 1 | SPL140 | 2.390-46 | 3.375 | 6.440 | EY 140-4-391-1X |
| 1 | SPL170 | 2.390-46 | 3.375 | 6.531 | EY 170-4-291-1 |
| 1 | SPL170 | 2.390-46 | 3.375 | 6.531 | EY 170-4-301-1X |
| 1 | SPL250 | 2.390-46 | 3.375 | 6.760 | EY 250-4-101-1X |
| 1 | SPL250 | 2.390-46 | 3.375 | 6.760 | EY 250-4-91-1 |
| 1 | 1550 | 2.143-41 | 2.938 | 4.500 | EY 4-4-5581-1 |
| 1 | 1610 | 2.143-41 | 2.938 | 5.250 | EY 5-4-7271-1 |
| 1 | 1610 | 2.143-41 | 2.938 | 6.000 | EY 5-4-7561 |
| 1 | 1610 | 2.143-41 | 2.938 | 6.000 | EY 5-4-7561-1 |
| 1 | 1610 | 2.143-41 | 2.938 | 5.250 | EY 5-4-9111-1X |
| 1 | 1610 | 2.143-41 | 2.938 | 6.000 | EY 5-4-9121-1X |
| 1 | 1610 | 2.143-41 | 2.938 | 6.000 | EY 5-4-9121X |
| 1 | 1710 | 2.390-46 | 3.375 | 6.000 | EY 6-4-7511 |
| 1 | 1710 | 2.390-46 | 3.375 | 6.000 | EY 6-4-7511-1 |
| 1 | 1710 | 2.390-46 | 3.375 | 6.000 | EY 6-4-9201-1X |
| 1 | 1760 | 2.143-41 | 2.938 | 5.250 | EY 6.3-4-1061 |
| 1 | 1760 | 2.143-41 | 2.938 | 5.250 | EY 6.3-4-1061-1 |
| 1 | 1760 | 2.390-46 | 3.375 | 6.000 | EY 6.3-4-1151 |
| 1 | 1760 | 2.390-46 | 3.375 | 6.000 | EY 6.3-4-1151-1 |
| 1 | 1760 | 2.143-41 | 2.938 | 5.250 | EY 6.3-4-1631-1X |
| 1 | 1760 | 2.390-46 | 3.375 | 6.000 | EY 6.3-4-1651-1X |
| 1 | 1760 | 2.390-46 | 3.375 | 6.000 | EY 6.3-4-1651X |
| 1 | 1810 | 2.390-46 | 3.375 | 6.000 | EY 6.5-4-3911 |
| 1 | 1810 | 2.390-46 | 3.375 | 6.000 | EY 6.5-4-3911-1 |
| 1 | 1810 | 2.390-46 | 3.375 | 6.000 | EY 6.5-4-4611-1X |
| 1 | 1810 | 2.390-46 | 3.375 | 6.000 | EY 6.5-4-4611X |
| 2 | SPL170 | 2.143-41 | 2.938 | 7.190 | EY 170-4-311-1 |
| 2 | SPL170 | 2.143-41 | 2.938 | 7.190 | EY 170-4-321-1X <i>High angle yoke</i> |
| 2 | SPL170 | 2.143-41 | 2.938 | 5.800 | EY 170-4-331-1 |
| 2 | SPL170 | 2.143-41 | 2.938 | 5.800 | EY 170-4-341-1X |
| 2 | 1610 | 2.143-41 | 2.938 | 6.500 | EY 5-4-7551-1 |
| 2 | 1610 | 2.143-41 | 2.938 | 6.500 | EY 5-4-9131-1X |
| 2 | 1710 | 2.143-41 | 2.938 | 6.625 | EY 6-4-7541-1 <i>High angle yoke</i> |
| 2 | 1710 | 2.143-41 | 2.938 | 6.625 | EY 6-4-9191-1X <i>High angle yoke</i> |
| 2 | 1710 | 2.143-41 | 2.938 | 6.625 | EY 6-4-9191X <i>High angle yoke</i> |
| 2 | 1760 | 2.143-41 | 2.938 | 5.812 | EY 6.3-4-1641X |
| 2 | 1810 | 2.143-41 | 2.938 | 5.812 | EY 6.5-4-4621X |
| 3 | 1810 | 2.143-41 | 2.938 | 3.500 | CF 6.5-1-2941 |
| 3 | SPL140 | 2.143-41 | 2.938 | 5.560 | EY 140-4-421-1 |
| 3 | SPL140 | 2.143-41 | 2.938 | 5.560 | EY 140-4-431-1X |
| 3 | SPL170 | 2.143-41 | 2.938 | 5.320 | EY 170-4-351-1 |
| 3 | SPL170 | 2.143-41 | 2.938 | 5.320 | EY 170-4-361-1X |
| 3 | SPL170 | 2.143-41 | 2.938 | 6.680 | EY 170-4-371-1 <i>High angle yoke</i> |

| Pos | Series | Spline Data | Hub Dia | * to End of Hub | End Fitting Part Number |
|-----|--------|-------------|---------|-----------------|-------------------------|
|-----|--------|-------------|---------|-----------------|-------------------------|

| | | | | | |
|-----------------|--------|----------|-------|-------|---|
| 651 (Continued) | | | | | |
| 3 | SPL170 | 2.143-41 | 2.938 | 6.680 | EY 170-4-381-1X <i>High angle yoke</i> |
| 3 | SPL250 | 2.143-41 | 2.938 | 5.490 | EY 250-4-131-1 |
| 3 | SPL250 | 2.143-41 | 2.938 | 5.490 | EY 250-4-141-1X |
| 3 | SPL90 | 2.143-41 | 2.938 | 4.562 | EY 90-4-471-1 |
| 3 | SPL90 | 2.143-41 | 2.938 | 4.562 | EY 90-4-691-1X |
| 3 | 1550 | 2.143-41 | 2.938 | 4.500 | EY 4-4-5581-1 |
| 3 | 1610 | 2.143-41 | 2.938 | 6.000 | EY 5-4-7571-1X |
| 3 | 1610 | 2.143-41 | 2.938 | 5.250 | EY 5-4-9111-1X |
| 3 | 1610 | 2.143-41 | 2.938 | 6.000 | EY 5-4-9121-1X |
| 3 | 1610 | 2.143-41 | 2.938 | 6.000 | EY 5-4-9121X |
| 3 | 1710 | 2.143-41 | 2.938 | 5.190 | EY 6-4-7311 |
| 3 | 1710 | 2.143-41 | 2.938 | 5.190 | EY 6-4-7311-1 |
| 3 | 1710 | 2.143-41 | 2.938 | 6.125 | EY 6-4-7551 <i>High angle yoke</i> |
| 3 | 1710 | 2.143-41 | 2.938 | 6.125 | EY 6-4-7551-1 <i>High angle yoke</i> |
| 3 | 1710 | 2.143-41 | 2.938 | 5.190 | EY 6-4-9171-1X |
| 3 | 1710 | 2.143-41 | 2.938 | 5.190 | EY 6-4-9171X |
| 3 | 1710 | 2.143-41 | 2.938 | 6.125 | EY 6-4-9181-1X <i>High angle yoke</i> |
| 3 | 1710 | 2.143-41 | 2.938 | 6.125 | EY 6-4-9181X <i>High angle yoke</i> |
| 3 | 1760 | 2.143-41 | 2.938 | 5.250 | EY 6.3-4-1631-1X |
| 3 | 1810 | 2.143-41 | 2.938 | 5.250 | EY 6.5-4-3681 |
| 3 | 1810 | 2.143-41 | 2.938 | 5.250 | EY 6.5-4-3681-1 |
| 3 | 1810 | 2.143-41 | 2.938 | 5.250 | EY 6.5-4-3691-1X |
| 3 | 1810 | 2.143-41 | 2.938 | 5.250 | EY 6.5-4-4601-1X |
| 3 | 1810 | 2.143-41 | 2.938 | 5.250 | EY 6.5-4-4601X |
| 652 | | | | | |
| 1 | SPL170 | 2.390-46 | 3.375 | 6.531 | EY 170-4-301-1X |
| 1 | 1710 | 2.390-46 | 3.375 | 6.000 | EY 6-4-9201-1X |
| 1 | 1760 | 2.390-46 | 3.375 | 6.000 | EY 6.3-4-1651-1X |
| 1 | 1760 | 2.390-46 | 3.375 | 6.000 | EY 6.3-4-1651X |
| 1 | 1810 | 2.390-46 | 3.375 | 6.000 | EY 6.5-4-4611-1X |
| 1 | 1810 | 2.390-46 | 3.375 | 6.000 | EY 6.5-4-4611X |
| 2 | 1710 | 2.143-41 | 2.938 | 6.625 | EY 6-4-9191-1X <i>High angle yoke</i> |
| 2 | 1710 | 2.143-41 | 2.938 | 6.625 | EY 6-4-9191X <i>High angle yoke</i> |
| 2 | 1810 | 2.143-41 | 2.938 | 5.812 | EY 6.5-4-4621X |
| 3 | SPL170 | 2.143-41 | 2.938 | 5.320 | EY 170-4-361-1X |
| 3 | 1610 | 2.143-41 | 2.938 | 5.250 | EY 5-4-9111-1X |
| 3 | 1610 | 2.143-41 | 2.938 | 6.000 | EY 5-4-9121X |
| 3 | 1710 | 2.143-41 | 2.938 | 6.125 | EY 6-4-9181-1X <i>High angle yoke</i> |
| 3 | 1710 | 2.143-41 | 2.938 | 6.125 | EY 6-4-9181X <i>High angle yoke</i> |
| 3 | 1810 | 2.143-41 | 2.938 | 5.250 | EY 6.5-4-4601X |

*C/L to End of Hub for EY (End Yoke); Flange Face to End of Hub for CF (Companion Flange)

■ Hub machined for speedometer gear



| Pos | Series | Spline Data | Hub Dia | * to End of Hub | End Fitting Part Number |
|------------|--------|-------------|---------|-----------------|---|
| 701 | | | | | |
| 1 | SPL140 | 2.390-46 | 3.375 | 6.440 | EY 140-4-381-1 |
| 1 | SPL140 | 2.390-46 | 3.375 | 6.440 | EY 140-4-391-1X |
| 1 | SPL140 | 2.143-41 | 2.938 | 5.560 | EY 140-4-421-1 |
| 1 | SPL170 | 2.390-46 | 3.375 | 6.531 | EY 170-4-291-1 |
| 1 | SPL250 | 2.390-46 | 3.375 | 6.760 | EY 250-4-101-1X |
| 1 | SPL250 | 2.390-46 | 3.375 | 6.760 | EY 250-4-91-1 |
| 1 | 1550 | 2.143-41 | 2.938 | 4.500 | EY 4-4-5581-1 |
| 1 | 1610 | 2.143-41 | 2.938 | 5.250 | EY 5-4-7271-1 |
| 1 | 1610 | 2.143-41 | 2.938 | 6.000 | EY 5-4-7561 |
| 1 | 1610 | 2.143-41 | 2.938 | 6.000 | EY 5-4-7561-1 |
| 1 | 1610 | 2.143-41 | 2.938 | 5.250 | EY 5-4-9111-1X |
| 1 | 1610 | 2.143-41 | 2.938 | 6.000 | EY 5-4-9121-1X |
| 1 | 1610 | 2.143-41 | 2.938 | 6.000 | EY 5-4-9121X |
| 1 | 1710 | 2.390-46 | 3.375 | 6.000 | EY 6-4-7511 |
| 1 | 1710 | 2.390-46 | 3.375 | 6.000 | EY 6-4-7511-1 |
| 1 | 1710 | 2.143-41 | 2.938 | 6.625 | EY 6-4-7541-1 <i>High angle yoke</i> |
| 1 | 1710 | 2.390-46 | 3.375 | 6.000 | EY 6-4-9201-1X |
| 1 | 1760 | 2.143-41 | 2.938 | 5.250 | EY 6.3-4-1061-1 |
| 1 | 1760 | 2.143-41 | 2.938 | 5.250 | EY 6.3-4-1071-1X |
| 1 | 1760 | 2.143-41 | 2.938 | 5.250 | EY 6.3-4-1071X |
| 1 | 1760 | 2.390-46 | 3.375 | 6.000 | EY 6.3-4-1151 |
| 1 | 1760 | 2.390-46 | 3.375 | 6.000 | EY 6.3-4-1151-1 |
| 1 | 1760 | 2.390-46 | 3.375 | 6.000 | EY 6.3-4-1161-1X |
| 1 | 1760 | 2.390-46 | 3.375 | 6.000 | EY 6.3-4-1161X |
| 1 | 1760 | 2.390-46 | 3.375 | 6.000 | EY 6.3-4-1651-1X |
| 1 | 1760 | 2.390-46 | 3.375 | 6.000 | EY 6.3-4-1651X |
| 1 | 1810 | 2.390-46 | 3.375 | 6.000 | EY 6.5-4-3911 |
| 1 | 1810 | 2.390-46 | 3.375 | 6.000 | EY 6.5-4-3911-1 |
| 1 | 1810 | 2.390-46 | 3.375 | 6.000 | EY 6.5-4-3921-1X |
| 1 | 1810 | 2.390-46 | 3.375 | 6.000 | EY 6.5-4-3921X |
| 1 | 1810 | 2.390-46 | 3.375 | 6.000 | EY 6.5-4-4611-1X |
| 1 | 1810 | 2.390-46 | 3.375 | 6.000 | EY 6.5-4-4611X |
| 2 | SPL170 | 2.143-41 | 2.938 | 7.190 | EY 170-4-311-1 |
| 2 | SPL170 | 2.143-41 | 2.938 | 7.190 | EY 170-4-321-1X <i>High angle yoke</i> |
| 2 | SPL170 | 2.143-41 | 2.938 | 5.800 | EY 170-4-331-1 |
| 2 | SPL170 | 2.143-41 | 2.938 | 5.800 | EY 170-4-341-1X |
| 2 | SPL250 | 2.143-41 | 2.938 | 5.490 | EY 250-4-131-1 |
| 2 | SPL250 | 2.143-41 | 2.938 | 5.490 | EY 250-4-141-1X |
| 2 | 1610 | 2.143-41 | 2.938 | 6.500 | EY 5-4-7551-1 |
| 2 | 1610 | 2.143-41 | 2.938 | 6.500 | EY 5-4-9131-1X |
| 2 | 1710 | 2.143-41 | 2.938 | 6.625 | EY 6-4-7541 <i>High angle yoke</i> |
| 2 | 1710 | 2.143-41 | 2.938 | 6.625 | EY 6-4-7541-1 <i>High angle yoke</i> |
| 2 | 1710 | 2.143-41 | 2.938 | 6.625 | EY 6-4-9191-1X <i>High angle yoke</i> |
| 2 | 1710 | 2.143-41 | 2.938 | 6.625 | EY 6-4-9191X <i>High angle yoke</i> |
| 2 | 1760 | 2.143-41 | 2.938 | 5.812 | EY 6.3-4-1171 |
| 2 | 1760 | 2.143-41 | 2.938 | 5.812 | EY 6.3-4-1641X |
| 2 | 1810 | 2.143-41 | 2.938 | 5.812 | EY 6.5-4-3931 |
| 2 | 1810 | 2.143-41 | 2.938 | 5.812 | EY 6.5-4-4621X |
| 3 | 1810 | 2.143-41 | 2.938 | 3.500 | CF 6.5-1-2941 |
| 3 | SPL140 | 2.143-41 | 2.938 | 5.560 | EY 140-4-431-1X |
| 3 | SPL170 | 2.143-41 | 2.938 | 5.320 | EY 170-4-351-1 |
| 3 | SPL170 | 2.143-41 | 2.938 | 5.320 | EY 170-4-361-1X |
| 3 | SPL170 | 2.143-41 | 2.938 | 6.680 | EY 170-4-381-1X <i>High angle yoke</i> |

| Pos | Series | Spline Data | Hub Dia | * to End of Hub | End Fitting Part Number |
|------------------------|--------|-------------|---------|-----------------|--|
| 701 (Continued) | | | | | |
| 3 | SPL90 | 2.143-41 | 2.938 | 4.562 | EY 90-4-471-1 |
| 3 | SPL90 | 2.143-41 | 2.938 | 4.562 | EY 90-4-691-1X |
| 3 | 1550 | 2.143-41 | 2.938 | 4.500 | EY 4-4-5581-1 |
| 3 | 1610 | 2.143-41 | 2.938 | 6.000 | EY 5-4-7571-1X |
| 3 | 1610 | 2.143-41 | 2.938 | 6.000 | EY 5-4-7571X |
| 3 | 1710 | 2.143-41 | 2.938 | 5.190 | EY 6-4-7311 |
| 3 | 1710 | 2.143-41 | 2.938 | 5.190 | EY 6-4-7311-1 |
| 3 | 1710 | 2.143-41 | 2.938 | 5.190 | EY 6-4-7321-1X |
| 3 | 1710 | 2.143-41 | 2.938 | 6.125 | EY 6-4-7551 <i>High angle yoke</i> |
| 3 | 1710 | 2.143-41 | 2.938 | 6.125 | EY 6-4-7551-1 <i>High angle yoke</i> |
| 3 | 1710 | 2.143-41 | 2.938 | 6.125 | EY 6-4-7561-1X <i>High angle yoke</i> |
| 3 | 1710 | 2.143-41 | 2.938 | 6.125 | EY 6-4-7561X <i>High angle yoke</i> |
| 3 | 1710 | 2.143-41 | 2.938 | 5.190 | EY 6-4-9171-1X |
| 3 | 1710 | 2.143-41 | 2.938 | 5.190 | EY 6-4-9171X |
| 3 | 1710 | 2.143-41 | 2.938 | 6.125 | EY 6-4-9181-1X <i>High angle yoke</i> |
| 3 | 1710 | 2.143-41 | 2.938 | 6.125 | EY 6-4-9181X <i>High angle yoke</i> |
| 3 | 1760 | 2.143-41 | 2.938 | 5.250 | EY 6.3-4-1071X |
| 3 | 1810 | 2.143-41 | 2.938 | 5.250 | EY 6.5-4-3681 |
| 3 | 1810 | 2.143-41 | 2.938 | 5.250 | EY 6.5-4-3681-1 |
| 3 | 1810 | 2.143-41 | 2.938 | 5.250 | EY 6.5-4-3691-1X |
| 3 | 1810 | 2.143-41 | 2.938 | 5.250 | EY 6.5-4-3691X |
| 3 | 1810 | 2.143-41 | 2.938 | 5.250 | EY 6.5-4-4601-1X |
| 3 | 1810 | 2.143-41 | 2.938 | 5.250 | EY 6.5-4-4601X |

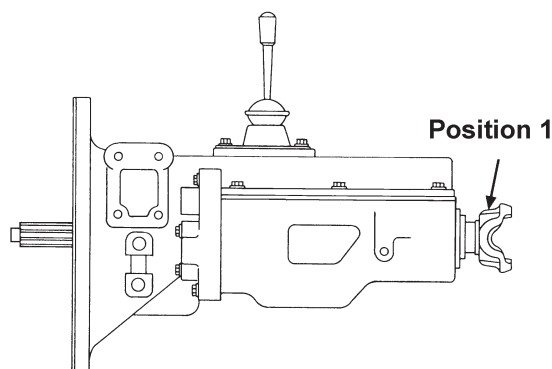
| Pos | Series | Spline Data | Hub Dia | * to End of Hub | End Fitting Part Number |
|----------------|--------|-------------|---------|-----------------|--|
| 22060SH | | | | | |
| 1 | 1610 | 2.274-44 | 3.000 | 5.000 | EY 5-4-9261-1X |
| 1 | 1710 | 2.274-44 | 3.000 | 5.190 | EY 6-4-8451 |
| 1 | 1710 | 2.274-44 | 3.000 | 5.190 | EY 6-4-8981-1X |
| 1 | 1760 | 2.274-44 | 3.000 | 5.250 | EY 6.3-4-5221-1X |
| 1 | 1760 | 2.274-44 | 3.000 | 5.250 | EY 6.3-4-5221X |
| 1 | 1810 | 2.274-44 | 3.000 | 5.250 | EY 6.5-4-4571-1X |
| 1 | 1810 | 2.274-44 | 3.000 | 5.250 | EY 6.5-4-4571X |
| 2 | 1610 | 2.024-39 | 2.625 | 6.000 | EY 5-4-9271X <i>High angle yoke</i> |
| 2 | 1710 | 2.024-39 | 2.625 | 6.125 | EY 6-4-9001-1X |
| 2 | 1710 | 2.024-39 | 2.625 | 6.125 | EY 6-4-9001X |
| 2 | 1710 | 2.024-39 | 2.625 | 5.250 | EY 6-4-9041-1X |
| 2 | 1710 | 2.024-39 | 2.625 | 5.250 | EY 6-4-9041X |
| 3 | 1480 | 2.024-39 | 3.000 | 4.344 | EY 3-4-13081-1X |
| 3 | 1550 | 2.024-39 | 3.000 | 4.281 | EY 4-4-7571-1X |
| 3 | 1610 | 2.024-39 | 3.000 | 6.000 | EY 5-4-9241X <i>High angle yoke</i> |
| 3 | 1710 | 2.024-39 | 3.000 | 6.125 | EY 6-4-8991-1X <i>High angle yoke</i> |
| 3 | 1710 | 2.024-39 | 3.000 | 6.125 | EY 6-4-8991X <i>High angle yoke</i> |
| 3 | 1710 | 2.024-39 | 3.000 | 5.250 | EY 6-4-9031-1X |
| 3 | 1710 | 2.024-39 | 3.000 | 5.250 | EY 6-4-9031X |

*C/L to End of Hub for EY (End Yoke); Flange Face to End of Hub for CF (Companion Flange)

■ Hub machined for speedometer gear



Important: See Safety Information in General Information Section (J300P-GI)



| Pos | Series | Spline Data | Hub Dia | * to End of Hub | End Fitting Part Number |
|-----|--------|-------------|---------|-----------------|-------------------------|
|-----|--------|-------------|---------|-----------------|-------------------------|

AT-540

| | | | | | |
|--|------------|----------|-------|-------|-----------------|
| 1 | 1480/1550 | 1.790-34 | 2.562 | 3.344 | CF 4-1-4471 |
| <i>Can be used w/brake; Assy includes plug 231059 and 4 studs 231016</i> | | | | | |
| 1 | 1480/1550 | 1.790-34 | 2.562 | 3.344 | CF 4-1-4481X |
| <i>Can be used w/brake; Assy includes plug 231059 and 4 studs 231016</i> | | | | | |
| 1 | 1480/1550 | 1.790-34 | 2.562 | 3.344 | CF 4-1-4491 |
| <i>Can be used w/brake; Assy includes plug 231059</i> | | | | | |
| 1 | 1480/1550 | 1.790-34 | 2.562 | 3.344 | CF 4-1-4501X |
| <i>Assy includes plug 231059</i> | | | | | |
| 1 | 1610/SPL90 | 1.790-34 | 2.562 | 3.719 | CF 90-1-11 |
| <i>Can be used w/brake</i> | | | | | |
| <i>Assy includes plug 231059 and eight 6-73-725 bolts</i> | | | | | |
| 1 | 1610/SPL90 | 1.790-34 | 2.562 | 3.719 | CF 90-1-21X |
| <i>Can be used w/brake</i> | | | | | |
| <i>Assy includes plug 231059 and eight 6-73-725 bolts</i> | | | | | |
| 1 | SPL70 | 1.790-34 | 2.564 | 5.530 | EY 70-4-181-1 |
| <i>Can be used w/brake; Flanged yoke w/eight, 7-73-620 bolts</i> | | | | | |
| 1 | SPL70 | 1.790-34 | 2.564 | 5.530 | EY 70-4-191-1X |
| <i>Can be used w/brake; Flanged yoke w/eight, 7-73-620 bolts</i> | | | | | |
| 1 | SPL90 | 1.790-34 | 2.562 | 5.625 | EY 90-4-461-1 |
| <i>Can be used w/brake</i> | | | | | |
| 1 | SPL90 | 1.790-34 | 2.562 | 5.625 | EY 90-4-501-1X |
| <i>Can be used w/brake</i> | | | | | |
| 1 | 1480 | 1.790-34 | 2.567 | 4.885 | EY 3-4-11551-1 |
| <i>Can be used w/brake</i> | | | | | |
| <i>Flanged end yoke, strap kit not furnished by Dana</i> | | | | | |
| 1 | 1480 | 1.790-34 | 2.567 | 4.885 | EY 3-4-11621-1X |
| <i>Can be used w/brake</i> | | | | | |
| <i>Flanged end yoke, strap kit not furnished by Dana</i> | | | | | |
| 1 | 1480 | 1.790-34 | 2.562 | 5.125 | EY 3-4-9231-1 |
| <i>Can be used w/brake</i> | | | | | |
| 1 | 1480 | 1.790-34 | 2.562 | 5.125 | EY 3-4-9241-1X |
| <i>Can be used w/brake</i> | | | | | |
| 1 | 1480 | 1.790-34 | 2.562 | 5.125 | EY 3-4-9241-2X |
| <i>Attaching hardware by OEM</i> | | | | | |
| 1 | 1550 | 1.790-34 | 2.562 | 5.156 | EY 4-4-4791-1 |
| <i>Can be used w/brake</i> | | | | | |
| 1 | 1550 | 1.790-34 | 2.562 | 5.156 | EY 4-4-4801-1X |
| <i>Can be used w/brake</i> | | | | | |
| 1 | 1610 | 1.790-34 | 2.567 | 5.310 | EY 5-4-5231X |
| 1 | 1610 | 1.790-34 | 2.562 | 5.312 | EY 5-4-7781-1 |
| 1 | 1610 | 1.790-34 | 2.562 | 5.312 | EY 5-4-8061-1X |

AT-542

| | | | | | |
|---|-----------|----------|-------|-------|--------------|
| 1 | 1480/1550 | 1.790-34 | 2.562 | 3.344 | CF 4-1-4471 |
| <i>Assy includes plug 231059 and 4 studs 231016</i> | | | | | |
| 1 | 1480/1550 | 1.790-34 | 2.562 | 3.344 | CF 4-1-4481X |
| <i>Assy includes plug 231059 and 4 studs 231016</i> | | | | | |
| 1 | 1480/1550 | 1.790-34 | 2.562 | 3.344 | CF 4-1-4491 |
| <i>Assy includes plug 231059</i> | | | | | |

| Pos | Series | Spline Data | Hub Dia | * to End of Hub | End Fitting Part Number |
|-----|--------|-------------|---------|-----------------|-------------------------|
|-----|--------|-------------|---------|-----------------|-------------------------|

AT-542 (Continued)

| | | | | | |
|--|------------|----------|-------|-------|-----------------|
| 1 | 1480/1550 | 1.790-34 | 2.562 | 3.344 | CF 4-1-4501X |
| <i>Assy includes plug 231059</i> | | | | | |
| 1 | 1610/SPL90 | 1.790-34 | 2.562 | 3.719 | CF 90-1-11 |
| <i>Can be used w/brake; Assy includes plug 231059 & eight 6-73-725 bolts</i> | | | | | |
| 1 | 1610/SPL90 | 1.790-34 | 2.562 | 3.719 | CF 90-1-21X |
| <i>Can be used w/brake; Assy includes plug 231059 & eight 6-73-725 bolts</i> | | | | | |
| 1 | SPL90 | 1.790-34 | 2.562 | 5.625 | EY 90-4-461-1 |
| 1 | SPL90 | 1.790-34 | 2.562 | 5.625 | EY 90-4-501-1X |
| 1 | 1480 | 1.790-34 | 2.567 | 4.885 | EY 3-4-11551-1 |
| <i>Flanged end yoke, strap kit not furnished by Dana</i> | | | | | |
| 1 | 1480 | 1.790-34 | 2.567 | 4.885 | EY 3-4-11621-1X |
| <i>Flanged end yoke, strap kit not furnished by Dana</i> | | | | | |
| 1 | 1480 | 1.790-34 | 2.562 | 5.125 | EY 3-4-9231-1 |
| 1 | 1480 | 1.790-34 | 2.562 | 5.125 | EY 3-4-9241-1X |
| 1 | 1550 | 1.790-34 | 2.562 | 5.156 | EY 4-4-4791-1 |
| 1 | 1550 | 1.790-34 | 2.562 | 5.156 | EY 4-4-4801-1X |
| 1 | 1610 | 1.790-34 | 2.562 | 5.312 | EY 5-4-7781-1 |
| 1 | 1610 | 1.790-34 | 2.562 | 5.312 | EY 5-4-8061-1X |

AT-543

| | | | | | |
|--|------------|----------|-------|-------|-----------------|
| 1 | 1480/1550 | 1.790-34 | 2.562 | 3.344 | CF 4-1-4471 |
| <i>Assy includes plug 231059 & 4 studs 231016</i> | | | | | |
| 1 | 1480/1550 | 1.790-34 | 2.562 | 3.344 | CF 4-1-4481X |
| <i>Can be used w/brake; Assy includes plug 231059 & 4 studs 231016</i> | | | | | |
| 1 | 1480/1550 | 1.790-34 | 2.562 | 3.344 | CF 4-1-4491 |
| <i>Assy includes plug 231059</i> | | | | | |
| 1 | 1480/1550 | 1.790-34 | 2.562 | 3.344 | CF 4-1-4501X |
| <i>Assy includes plug 231059</i> | | | | | |
| 1 | 1610/SPL90 | 1.790-34 | 2.562 | 3.719 | CF 90-1-11 |
| <i>Assy includes plug 231059 & eight 6-73-725 bolts</i> | | | | | |
| 1 | 1610/SPL90 | 1.790-34 | 2.562 | 3.719 | CF 90-1-21X |
| <i>Assy includes plug 231059 & eight 6-73-725 bolts</i> | | | | | |
| 1 | SPL90 | 1.790-34 | 2.562 | 5.625 | EY 90-4-461-1 |
| 1 | SPL90 | 1.790-34 | 2.562 | 5.625 | EY 90-4-501-1X |
| 1 | 1480 | 1.790-34 | 2.567 | 4.885 | EY 3-4-11551-1 |
| <i>Flanged end yoke, strap kit not furnished by Dana</i> | | | | | |
| 1 | 1480 | 1.790-34 | 2.567 | 4.885 | EY 3-4-11621-1X |
| <i>Flanged end yoke, strap kit not furnished by Dana</i> | | | | | |
| 1 | 1480 | 1.790-34 | 2.562 | 5.125 | EY 3-4-9231-1 |
| 1 | 1480 | 1.790-34 | 2.562 | 5.125 | EY 3-4-9241-1X |
| 1 | 1480 | 1.790-34 | 2.562 | 5.125 | EY 3-4-9241-2X |
| <i>Attaching hardware by OEM</i> | | | | | |
| 1 | 1550 | 1.790-34 | 2.562 | 5.156 | EY 4-4-4791-1 |
| 1 | 1550 | 1.790-34 | 2.562 | 5.156 | EY 4-4-4801-1X |
| 1 | 1610 | 1.790-34 | 2.567 | 5.310 | EY 5-4-5231X |
| 1 | 1610 | 1.790-34 | 2.562 | 5.312 | EY 5-4-7781-1 |
| 1 | 1610 | 1.790-34 | 2.562 | 5.312 | EY 5-4-8061-1X |

*C/L to End of Hub for EY (End Yoke); Flange Face to End of Hub for CF (Companion Flange)

■ Hub machined for speedometer gear



| Pos | Series | Spline Data | Hub Dia | * to End of Hub | End Fitting Part Number |
|----------------|------------|-------------|---------|-----------------|---|
| AT-545 | | | | | |
| 1 | 1480/1550 | 1.790-34 | 2.562 | 3.344 | CF 4-1-4471 <i>Assy includes plug 231059 & 4 studs 231016</i> |
| 1 | 1480/1550 | 1.790-34 | 2.562 | 3.344 | CF 4-1-4481X <i>Can be used w/brake; Assy includes plug 231059 & 4 studs 231016</i> |
| 1 | 1480/1550 | 1.790-34 | 2.562 | 3.344 | CF 4-1-4491 <i>Assy includes plug 231059</i> |
| 1 | 1480/1550 | 1.790-34 | 2.562 | 3.344 | CF 4-1-4501X <i>Assy includes plug 231059</i> |
| 1 | 1610/SPL90 | 1.790-34 | 2.562 | 3.719 | CF 90-1-11 <i>Can be used w/brake; Assy includes plug 231059 & eight 6-73-725 bolts</i> |
| 1 | 1610/SPL90 | 1.790-34 | 2.562 | 3.719 | CF 90-1-21X <i>Can be used w/brake; Assy includes plug 231059 & eight 6-73-725 bolts</i> |
| 1 | SPL55 | 1.790-34 | 2.564 | 4.870 | EY 5001480 |
| 1 | SPL55 | 1.790-34 | 2.564 | 4.870 | EY 55-4-101-1X <i>For 9" x 3" Brake</i> |
| 1 | SPL55 | 1.790-34 | 2.564 | 4.870 | EY 55-4-91-1 <i>For 9" x 3" Brake</i> |
| 1 | SPL90 | 1.790-34 | 2.562 | 5.625 | EY 90-4-461-1 |
| 1 | SPL90 | 1.790-34 | 2.562 | 5.625 | EY 90-4-501-1X |
| 1 | 1480 | 1.790-34 | 2.567 | 4.885 | EY 3-4-11551-1 <i>Flanged end yoke, strap kit not furnished by Dana</i> |
| 1 | 1480 | 1.790-34 | 2.567 | 4.885 | EY 3-4-11621-1X <i>Flanged end yoke, strap kit not furnished by Dana</i> |
| 1 | 1480 | 1.790-34 | 2.562 | 5.125 | EY 3-4-9231-1 |
| 1 | 1480 | 1.790-34 | 2.562 | 5.125 | EY 3-4-9241-1X |
| 1 | 1480 | 1.790-34 | 2.562 | 5.125 | EY 3-4-9241-2X <i>Attaching hardware by OEM</i> |
| 1 | 1550 | 1.790-34 | 2.562 | 5.156 | EY 4-4-4791-1 |
| 1 | 1550 | 1.790-34 | 2.562 | 5.156 | EY 4-4-4801-1X |
| 1 | 1610 | 1.790-34 | 2.567 | 5.310 | EY 5-4-5231X |
| 1 | 1610 | 1.790-34 | 2.562 | 5.312 | EY 5-4-7781-1 |
| 1 | 1610 | 1.790-34 | 2.562 | 5.312 | EY 5-4-8061-1X |
| AT-1542 | | | | | |
| 1 | 1480/1550 | 1.790-34 | 2.562 | 3.344 | CF 4-1-4471 <i>Assy includes plug 231059 & 4 studs 231016</i> |
| 1 | 1480/1550 | 1.790-34 | 2.562 | 3.344 | CF 4-1-4481X <i>Assy includes plug 231059 & 4 studs 231016</i> |
| 1 | 1480/1550 | 1.790-34 | 2.562 | 3.344 | CF 4-1-4491 <i>Assy includes plug 231059</i> |
| 1 | 1480/1550 | 1.790-34 | 2.562 | 3.344 | CF 4-1-4501X <i>Assy includes plug 231059</i> |
| 1 | 1610/SPL90 | 1.790-34 | 2.562 | 3.719 | CF 90-1-11 <i>Assy includes plug 231059 & eight 6-73-725 bolts</i> |
| 1 | 1610/SPL90 | 1.790-34 | 2.562 | 3.719 | CF 90-1-21X <i>Assy includes plug 231059 & eight 6-73-725 bolts</i> |
| 1 | SPL90 | 1.790-34 | 2.562 | 5.625 | EY 90-4-461-1 |
| 1 | SPL90 | 1.790-34 | 2.562 | 5.625 | EY 90-4-501-1X |
| 1 | 1480 | 1.790-34 | 2.567 | 4.885 | EY 3-4-11551-1 <i>Flanged end yoke, strap kit not furnished by Dana</i> |
| 1 | 1480 | 1.790-34 | 2.567 | 4.885 | EY 3-4-11621-1X <i>Flanged end yoke, strap kit not furnished by Dana</i> |
| 1 | 1480 | 1.790-34 | 2.562 | 5.125 | EY 3-4-9231-1 |
| 1 | 1480 | 1.790-34 | 2.562 | 5.125 | EY 3-4-9241-1X |
| 1 | 1550 | 1.790-34 | 2.562 | 5.156 | EY 4-4-4791-1 |
| 1 | 1550 | 1.790-34 | 2.562 | 5.156 | EY 4-4-4801-1X |
| 1 | 1610 | 1.790-34 | 2.562 | 5.312 | EY 5-4-7781-1 |
| 1 | 1610 | 1.790-34 | 2.562 | 5.312 | EY 5-4-8061-1X |
| AT-1543 | | | | | |
| 1 | 1480/1550 | 1.790-34 | 2.562 | 3.344 | CF 4-1-4471 <i>Assy includes plug 231059 & 4 studs 231016</i> |
| 1 | 1480/1550 | 1.790-34 | 2.562 | 3.344 | CF 4-1-4481X <i>Assy includes plug 231059 & 4 studs 231016</i> |

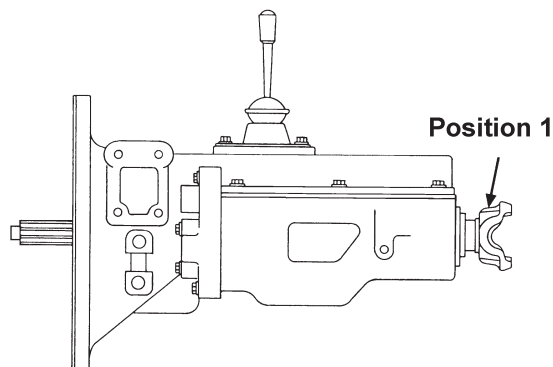
| Pos | Series | Spline Data | Hub Dia | * to End of Hub | End Fitting Part Number |
|----------------------------|------------|-------------|---------|-----------------|---|
| AT-1543 (Continued) | | | | | |
| 1 | 1480/1550 | 1.790-34 | 2.562 | 3.344 | CF 4-1-4491 <i>Assy includes plug 231059</i> |
| 1 | 1480/1550 | 1.790-34 | 2.562 | 3.344 | CF 4-1-4501X <i>Assy includes plug 231059</i> |
| 1 | 1610/SPL90 | 1.790-34 | 2.562 | 3.719 | CF 90-1-11 <i>Assy includes plug 231059 & eight 6-73-725 bolts</i> |
| 1 | 1610/SPL90 | 1.790-34 | 2.562 | 3.719 | CF 90-1-21X <i>Assy includes plug 231059 & eight 6-73-725 bolts</i> |
| 1 | SPL90 | 1.790-34 | 2.562 | 5.625 | EY 90-4-461-1 |
| 1 | SPL90 | 1.790-34 | 2.562 | 5.625 | EY 90-4-501-1X |
| 1 | 1480 | 1.790-34 | 2.567 | 4.885 | EY 3-4-11551-1 <i>Flanged end yoke, strap kit not furnished by Dana</i> |
| 1 | 1480 | 1.790-34 | 2.567 | 4.885 | EY 3-4-11621-1X <i>Flanged end yoke, strap kit not furnished by Dana</i> |
| 1 | 1480 | 1.790-34 | 2.562 | 5.125 | EY 3-4-9231-1 |
| 1 | 1480 | 1.790-34 | 2.562 | 5.125 | EY 3-4-9241-1X |
| 1 | 1550 | 1.790-34 | 2.562 | 5.156 | EY 4-4-4791-1 |
| 1 | 1550 | 1.790-34 | 2.562 | 5.156 | EY 4-4-4801-1X |
| 1 | 1610 | 1.790-34 | 2.562 | 5.312 | EY 5-4-7781-1 |
| 1 | 1610 | 1.790-34 | 2.562 | 5.312 | EY 5-4-8061-1X |
| AT-1545 | | | | | |
| 1 | 1480/1550 | 1.790-34 | 2.562 | 3.344 | CF 4-1-4471 <i>Assy includes plug 231059 & 4 studs 231016</i> |
| 1 | 1480/1550 | 1.790-34 | 2.562 | 3.344 | CF 4-1-4481X <i>Assy includes plug 231059 & 4 studs 231016</i> |
| 1 | 1480/1550 | 1.790-34 | 2.562 | 3.344 | CF 4-1-4491 <i>Assy includes plug 231059</i> |
| 1 | 1480/1550 | 1.790-34 | 2.562 | 3.344 | CF 4-1-4501X <i>Assy includes plug 231059</i> |
| 1 | 1610/SPL90 | 1.790-34 | 2.562 | 3.719 | CF 90-1-11 <i>Assy includes plug 231059 & eight 6-73-725 bolts</i> |
| 1 | 1610/SPL90 | 1.790-34 | 2.562 | 3.719 | CF 90-1-21X <i>Assy includes plug 231059 & eight 6-73-725 bolts</i> |
| 1 | SPL90 | 1.790-34 | 2.562 | 5.625 | EY 90-4-461-1 |
| 1 | SPL90 | 1.790-34 | 2.562 | 5.625 | EY 90-4-501-1X |
| 1 | 1480 | 1.790-34 | 2.567 | 4.885 | EY 3-4-11551-1 <i>Flanged end yoke, strap kit not furnished by Dana</i> |
| 1 | 1480 | 1.790-34 | 2.567 | 4.885 | EY 3-4-11621-1X <i>Flanged end yoke, strap kit not furnished by Dana</i> |
| 1 | 1480 | 1.790-34 | 2.562 | 5.125 | EY 3-4-9231-1 |
| 1 | 1480 | 1.790-34 | 2.562 | 5.125 | EY 3-4-9241-1X |
| 1 | 1550 | 1.790-34 | 2.562 | 5.156 | EY 4-4-4791-1 |
| 1 | 1550 | 1.790-34 | 2.562 | 5.156 | EY 4-4-4801-1X |
| 1 | 1610 | 1.790-34 | 2.562 | 5.312 | EY 5-4-7781-1 |
| 1 | 1610 | 1.790-34 | 2.562 | 5.312 | EY 5-4-8061-1X |
| B-300, B-400 | | | | | |
| 1 | SPL140 | 2.178-43 | 3.539 | 5.100 | EY 140-4-761-1 |
| 1 | SPL170 | 2.178-43 | 3.540 | 5.340 | EY 170-4-1081-1 |
| 1 | SPL90 | 2.178-43 | 3.547 | 4.625 | EY 90-4-791-1 |
| 1 | 1610 | 2.178-43 | 3.531 | 5.406 | EY 5-4-9141 |
| 1 | 1610 | 2.178-43 | 3.531 | 5.406 | EY 5-4-9141-1 |
| 1 | 1710 | 2.178-43 | 3.539 | 4.875 | EY 6-4-9221-1 |
| 1 | 1760 | 2.178-43 | 3.539 | 5.500 | EY 6.3-4-1591-1 |
| CLBT-750 | | | | | |
| 1 | 1810 | 2.560-20 | 3.500 | 4.000 | CF 6.5-1-2161 |
| 1 | 1810 | 2.560-20 | 3.500 | 6.125 | EY 6.5-4-3361 |
| 1 | 1810 | 2.560-20 | 3.500 | 6.125 | EY 6.5-4-3361-1 |
| CLBT-5000 | | | | | |
| 1 | 1610 | 2.359-18 | 3.000 | 5.219 | EY 5-4-2341 |

*C/L to End of Hub for EY (End Yoke); Flange Face to End of Hub for CF (Companion Flange)

■ Hub machined for speedometer gear



Important: See Safety Information in General Information Section (J300P-GI)



| Pos | Series | Spline Data | Hub Dia | * to End of Hub | End Fitting Part Number |
|---|-----------|-------------|---------|-----------------|---|
| CLBT-5961, CLBT-5962 | | | | | |
| 1 | 1610 | 1.962-10 | 3.000 | 4.750 | EY 5-4-2531 <i>C'bore depth is chamfered</i> |
| CLBT-6000 | | | | | |
| 1 | 1610 | 2.359-18 | 3.000 | 5.219 | EY 5-4-2341 |
| CLBT-6061, CLBT-6062 | | | | | |
| 1 | 1610 | 1.962-10 | 3.000 | 4.750 | EY 5-4-2531 <i>C'bore depth is chamfered</i> |
| CLBT-7000 | | | | | |
| 1 | 1610 | 2.359-18 | 3.000 | 5.219 | EY 5-4-2341 |
| CLT-700 | | | | | |
| 1 | 1810 | 2.560-20 | 3.500 | 4.000 | CF 6.5-1-2161 |
| 1 | 1810 | 2.560-20 | 3.500 | 6.125 | EY 6.5-4-3361 |
| 1 | 1810 | 2.560-20 | 3.500 | 6.125 | EY 6.5-4-3361-1 |
| CLT-750 | | | | | |
| 1 | 1610 | 2.359-18 | 3.000 | 5.219 | EY 5-4-2341 |
| CLT-750HD | | | | | |
| 1 | 1810 | 2.560-20 | 3.500 | 4.000 | CF 6.5-1-2161 |
| 1 | 1810 | 2.560-20 | 3.500 | 6.125 | EY 6.5-4-3361 |
| CLT-5000, CLT-6000, CLT-7000, CRT-5000, CRT-6000, CRT-7000 | | | | | |
| 1 | 1610 | 2.359-18 | 3.000 | 5.219 | EY 5-4-2341 |
| HD (ALL) | | | | | |
| 1 | SPL140 | 2.795-55 | 4.725 | 4.980 | EY 140-4-771-1 |
| 1 | SPL170 | 2.795-55 | 4.725 | 5.200 | EY 170-4-1091-1 |
| 1 | SPL250 | 2.795-55 | 4.725 | 5.413 | EY 250-4-501-1 |
| 1 | SPL250 | 2.795-55 | 4.725 | 5.410 | EY 250-4-941-1 <i>With 231059 plug. Attaching hardware by OEM; OEM only</i> |
| 1 | SPL250 | 2.795-55 | 4.725 | 5.410 | EY 250-4-951-1X <i>With 231059 plug. Attaching hardware by OEM; OEM only</i> |
| 1 | SPL350 | 2.795-55 | 4.724 | 5.688 | EY 350-4-151-1 |
| 1 | SPL350 | 2.795-55 | 4.724 | 5.688 | EY 350-4-161-1X |
| 1 | 1760 | 2.795-55 | 4.725 | 5.000 | EY 6.3-4-1761-1 <i>With 231059 plug. Attaching hardware by OEM</i> |
| HT-700CT | | | | | |
| 1 | 1650/1710 | 2.364-18 | 3.500 | 4.031 | CF 6-1-4541 |
| 1 | 1810 | 2.364-18 | 3.500 | 4.031 | CF 6.5-1-1801 |
| 1 | SPL170 | 2.364-18 | 3.500 | 6.350 | EY 170-4-1061-1 |
| 1 | 1710 | 2.364-18 | 3.500 | 5.750 | EY 6-4-4561 |
| 1 | 1710 | 2.364-18 | 3.500 | 5.750 | EY 6-4-4561-1 |
| 1 | 1760 | 2.364-18 | 3.500 | 6.125 | EY 6.3-4-271-1 |
| 1 | 1810 | 2.364-18 | 3.500 | 6.125 | EY 6.5-4-2581 |
| 1 | 1810 | 2.364-18 | 3.500 | 6.125 | EY 6.5-4-2581-1 |

| Pos | Series | Spline Data | Hub Dia | * to End of Hub | End Fitting Part Number |
|-------------------------|-----------|-------------|---------|-----------------|--|
| HT-704D | | | | | |
| 1 | SPL170 | 2.364-18 | 3.500 | 6.350 | EY 170-4-1061-1 |
| 1 | 1810 | 2.364-18 | 3.500 | 6.125 | EY 6.5-4-2581 |
| HT-740 | | | | | |
| 1 | 1650/1710 | 2.364-18 | 3.500 | 4.031 | CF 6-1-4541 |
| 1 | 1810 | 2.364-18 | 3.500 | 4.031 | CF 6.5-1-1801 |
| 1 | SPL170 | 2.364-18 | 3.500 | 6.350 | EY 170-4-1061-1 |
| 1 | 1710 | 2.364-18 | 3.500 | 5.750 | EY 6-4-4561 |
| 1 | 1710 | 2.364-18 | 3.500 | 5.750 | EY 6-4-4561-1 |
| 1 | 1760 | 2.364-18 | 3.500 | 6.125 | EY 6.3-4-271 |
| 1 | 1760 | 2.364-18 | 3.500 | 6.125 | EY 6.3-4-271-1 |
| 1 | 1810 | 2.364-18 | 3.500 | 6.125 | EY 6.5-4-2581 |
| 1 | 1810 | 2.364-18 | 3.500 | 6.125 | EY 6.5-4-2581-1 |
| HT-740D | | | | | |
| 1 | 1650/1710 | 2.364-18 | 3.500 | 4.031 | CF 6-1-4541 |
| 1 | 1810 | 2.364-18 | 3.500 | 4.031 | CF 6.5-1-1801 |
| 1 | SPL170 | 2.364-18 | 3.500 | 6.350 | EY 170-4-1061-1 |
| HT-750 | | | | | |
| 1 | 1650/1710 | 2.364-18 | 3.500 | 4.031 | CF 6-1-4541 |
| 1 | 1810 | 2.364-18 | 3.500 | 4.031 | CF 6.5-1-1801 |
| 1 | SPL170 | 2.364-18 | 3.500 | 6.350 | EY 170-4-1061-1 |
| 1 | 1710 | 2.364-18 | 3.500 | 5.750 | EY 6-4-4561 |
| 1 | 1710 | 2.364-18 | 3.500 | 5.750 | EY 6-4-4561-1 |
| 1 | 1760 | 2.364-18 | 3.500 | 6.125 | EY 6.3-4-271 |
| 1 | 1760 | 2.364-18 | 3.500 | 6.125 | EY 6.3-4-271-1 |
| 1 | 1810 | 2.364-18 | 3.500 | 6.125 | EY 6.5-4-2581 |
| 1 | 1810 | 2.364-18 | 3.500 | 6.125 | EY 6.5-4-2581-1 |
| HT-750D | | | | | |
| 1 | 1650/1710 | 2.364-18 | 3.500 | 4.031 | CF 6-1-4541 |
| 1 | 1810 | 2.364-18 | 3.500 | 4.031 | CF 6.5-1-1801 |
| 1 | SPL170 | 2.364-18 | 3.500 | 6.350 | EY 170-4-1061-1 |
| 1 | 1710 | 2.364-18 | 3.500 | 5.750 | EY 6-4-4561 |
| 1 | 1810 | 2.364-18 | 3.500 | 6.125 | EY 6.5-4-2581 |
| HTB-700, HTB-740 | | | | | |
| 1 | 1810 | 2.364-18 | 2.750 | 3.000 | CF 6.5-1-2301 |
| 1 | 1710 | 2.364-18 | 3.750 | 5.094 | EY 6-4-6971■ |
| 1 | 1710 | 2.364-18 | 3.750 | 5.094 | EY 6-4-6971-1■ |
| HTB-741 | | | | | |
| 1 | 1810 | 2.364-18 | 2.750 | 3.000 | CF 6.5-1-2301 |
| 1 | 1710 | 2.364-18 | 3.750 | 5.094 | EY 6-4-6971■ |
| 1 | 1710 | 2.364-18 | 3.750 | 5.094 | EY 6-4-6971-1■ |
| 1 | 1810 | 2.364-18 | 3.750 | 5.625 | EY 6.5-4-4211-1■ <i>Fits trans w/retarder</i> |

*C/L to End of Hub for EY (End Yoke); Flange Face to End of Hub for CF (Companion Flange)

■ Hub machined for speedometer gear



| Pos | Series | Spline Data | Hub Dia | * to End of Hub | End Fitting Part Number |
|---------------------------------|-----------|-------------|---------|-----------------|---|
| HTB-745, HTB-746 | | | | | |
| 1 | 1810 | 2.364-18 | 2.750 | 3.000 | CF 6.5-1-2301 |
| 1 | 1710 | 2.364-18 | 3.750 | 5.094 | EY 6-4-6971■ |
| 1 | 1710 | 2.364-18 | 3.750 | 5.094 | EY 6-4-6971-1■ |
| HTB-781 | | | | | |
| 1 | 1810 | 2.364-18 | 2.750 | 3.000 | CF 6.5-1-2301 |
| 1 | 1710 | 2.364-18 | 3.750 | 5.094 | EY 6-4-6971■ |
| 1 | 1710 | 2.364-18 | 3.750 | 5.094 | EY 6-4-6971-1■ |
| 1 | 1810 | 2.364-18 | 3.750 | 5.625 | EY 6.5-4-4211-1■ <i>Fits trans w/retarder</i> |
| LCT1000 ALL, LCT2000 ALL | | | | | |
| 1 | SPL90 | 1.790-34 | 2.562 | 3.719 | CF 90-1-21X <i>Assy includes plug 231059 & eight 6-73-725 bolts</i> |
| 1 | 1480/1550 | 1.790-34 | 2.562 | 3.344 | CF 4-1-4471 <i>Assy includes plug 231059 & 4 studs 231016</i> |
| 1 | 1480/1550 | 1.790-34 | 2.562 | 3.344 | CF 4-1-4481X <i>Assy includes plug 231059 & 4 studs 231016</i> |
| 1 | 1480/1550 | 1.790-34 | 2.562 | 3.344 | CF 4-1-4501X <i>Assy includes plug 231059</i> |
| 1 | SPL90 | 1.790-34 | 2.562 | 5.625 | EY 90-4-501-1X |
| 1 | 1480 | 1.790-34 | 2.567 | 4.885 | EY 3-4-11621-1X <i>Flanged end yoke, strap kit not furnished by Dana</i> |
| 1 | 1480 | 1.790-34 | 2.562 | 5.125 | EY 3-4-9241-1X |
| 1 | 1550 | 1.790-34 | 2.562 | 5.156 | EY 4-4-4801-1X |
| 1 | 1610 | 1.790-34 | 2.562 | 5.312 | EY 5-4-8061-1X |
| MD (ALL) | | | | | |
| 1 | SPL140 | 2.178-43 | 3.541 | 5.100 | EY 140-4-1231-1 |
| 1 | SPL140 | 2.178-43 | 3.539 | 5.100 | EY 140-4-761-1 |
| 1 | SPL170 | 2.178-43 | 3.540 | 5.340 | EY 170-4-1081-1 |
| 1 | SPL90 | 2.178-43 | 3.547 | 4.625 | EY 90-4-791-1 |
| 1 | 1610 | 2.178-43 | 3.531 | 5.406 | EY 5-4-9141 |
| 1 | 1610 | 2.178-43 | 3.531 | 5.406 | EY 5-4-9141-1 |
| 1 | 1710 | 2.178-43 | 3.539 | 4.875 | EY 6-4-9221 |
| 1 | 1710 | 2.178-43 | 3.539 | 4.875 | EY 6-4-9221-1 |
| MT-63 | | | | | |
| 1 | SPL55 | 1.790-34 | 2.564 | 4.870 | EY 5001480 |
| MT-545 | | | | | |
| 1 | 1710 | 1.790-34 | 2.562 | 5.594 | EY 6-4-5031-1 |
| 1 | 1710 | 1.790-34 | 2.562 | 5.594 | EY 6-4-5041-1X |
| MT-640, MT-643, MT-644 | | | | | |
| 1 | 1610 | 1.790-34 | 2.562 | 3.938 | CF 5-1-5111 <i>Assy includes plug 231059</i> |
| 1 | 1610 | 1.790-34 | 2.562 | 3.938 | CF 5-1-5121X <i>Assy includes plug 231059</i> |
| 1 | 1610 | 1.790-34 | 2.562 | 4.250 | CF 5-1-5141 <i>Assy includes plug 231059 & eight 6-73-725 bolts</i> |
| 1 | 1610 | 1.790-34 | 2.562 | 4.250 | CF 5-1-5151X <i>Assy includes plug 231059 & eight 6-73-725 bolts</i> |
| 1 | 1710 | 1.790-34 | 2.562 | 3.903 | CF 6-1-4691 <i>Assy includes plug 231059</i> |
| 1 | 1710 | 1.790-34 | 2.562 | 3.903 | CF 6-1-4701X <i>Assy includes plug 231059</i> |
| 1 | SPL140 | 1.790-34 | 2.564 | 5.720 | EY 140-4-741-1X |
| 1 | SPL90 | 1.790-34 | 2.562 | 5.609 | EY 90-4-181-1 |
| 1 | SPL90 | 1.790-34 | 2.562 | 5.609 | EY 90-4-191-1X |
| 1 | 1550 | 1.790-34 | 2.562 | 5.125 | EY 4-4-3851-1 |
| 1 | 1550 | 1.790-34 | 2.562 | 5.125 | EY 4-4-3861-1X |
| 1 | 1610 | 1.790-34 | 2.562 | 5.312 | EY 5-4-4831 |
| 1 | 1610 | 1.790-34 | 2.562 | 5.312 | EY 5-4-4831-1 |
| 1 | 1610 | 1.790-34 | 2.562 | 5.312 | EY 5-4-4841-1X |

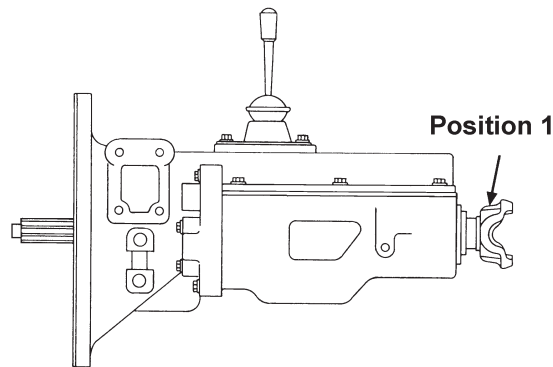
| Pos | Series | Spline Data | Hub Dia | * to End of Hub | End Fitting Part Number |
|---|--------|-------------|---------|-----------------|---|
| MT-640, MT-643, MT-644 (Continued) | | | | | |
| 1 | 1610 | 1.790-34 | 2.562 | 5.312 | EY 5-4-4841X |
| 1 | 1710 | 1.790-34 | 2.562 | 5.594 | EY 6-4-5031-1 |
| 1 | 1710 | 1.790-34 | 2.562 | 5.594 | EY 6-4-5041-1X |
| 1 | 1710 | 1.790-34 | 2.562 | 7.188 | EY 6-4-5041X <i>High angle yoke</i> |
| MT-646 | | | | | |
| 1 | 1610 | 1.790-34 | 2.562 | 5.312 | EY 5-4-4841-1X |
| MT-647, MT-648 | | | | | |
| 1 | 1610 | 1.790-34 | 2.562 | 3.938 | CF 5-1-5111 <i>Assy includes plug 231059</i> |
| 1 | 1610 | 1.790-34 | 2.562 | 3.938 | CF 5-1-5121X <i>Assy includes plug 231059</i> |
| 1 | 1610 | 1.790-34 | 2.562 | 4.250 | CF 5-1-5141 <i>Assy includes plug 231059 & eight 6-73-725 bolts</i> |
| 1 | 1610 | 1.790-34 | 2.562 | 4.250 | CF 5-1-5151X <i>Assy includes plug 231059 & eight 6-73-725 bolts</i> |
| 1 | 1710 | 1.790-34 | 2.562 | 3.903 | CF 6-1-4691 <i>Assy includes plug 231059</i> |
| 1 | 1710 | 1.790-34 | 2.562 | 3.903 | CF 6-1-4701X <i>Assy includes plug 231059</i> |
| 1 | SPL140 | 1.790-34 | 2.564 | 5.720 | EY 140-4-741-1X |
| 1 | SPL90 | 1.790-34 | 2.562 | 5.609 | EY 90-4-181-1 |
| 1 | SPL90 | 1.790-34 | 2.562 | 5.609 | EY 90-4-191-1X |
| 1 | 1550 | 1.790-34 | 2.562 | 5.125 | EY 4-4-3851-1 |
| 1 | 1550 | 1.790-34 | 2.562 | 5.125 | EY 4-4-3861-1X |
| 1 | 1610 | 1.790-34 | 2.562 | 5.312 | EY 5-4-4831 |
| 1 | 1610 | 1.790-34 | 2.562 | 5.312 | EY 5-4-4831-1 |
| 1 | 1610 | 1.790-34 | 2.562 | 5.312 | EY 5-4-4841-1X |
| 1 | 1710 | 1.790-34 | 2.562 | 5.594 | EY 6-4-5031-1 |
| 1 | 1710 | 1.790-34 | 2.562 | 5.594 | EY 6-4-5041-1X |
| 1 | 1710 | 1.790-34 | 2.562 | 7.188 | EY 6-4-5041X <i>High angle yoke</i> |
| MT-650, MT-653 | | | | | |
| 1 | 1710 | 2.390-46 | 3.500 | 4.547 | CF 6-1-4671 |
| 1 | SPL140 | 2.390-46 | 3.500 | 5.920 | EY 140-4-751-1 |
| 1 | SPL250 | 2.390-46 | 3.500 | 6.560 | EY 250-4-471-1 |
| 1 | 1610 | 2.390-46 | 3.500 | 6.125 | EY 5-4-4861 <i>Can be used w/brake</i> |
| 1 | 1610 | 2.390-46 | 3.500 | 6.125 | EY 5-4-4861-1 |
| 1 | 1710 | 2.390-46 | 3.500 | 5.750 | EY 6-4-4771 |
| 1 | 1710 | 2.390-46 | 3.500 | 5.750 | EY 6-4-4771-1 |
| 1 | 1760 | 2.390-46 | 3.500 | 6.000 | EY 6.3-4-381 |
| 1 | 1760 | 2.390-46 | 3.500 | 6.000 | EY 6.3-4-381-1 |
| 1 | 1810 | 2.390-46 | 3.500 | 6.156 | EY 6.5-4-2541 |
| 1 | 1810 | 2.390-46 | 3.500 | 6.156 | EY 6.5-4-2541-1 |
| MT-654 | | | | | |
| 1 | 1710 | 2.390-46 | 3.500 | 4.547 | CF 6-1-4671 |
| 1 | SPL140 | 2.390-46 | 3.500 | 5.920 | EY 140-4-751-1 |
| 1 | SPL250 | 2.390-46 | 3.500 | 6.560 | EY 250-4-471-1 |
| 1 | 1610 | 2.390-46 | 3.500 | 6.125 | EY 5-4-4861 |
| 1 | 1610 | 2.390-46 | 3.500 | 6.125 | EY 5-4-4861-1 |
| 1 | 1710 | 2.390-46 | 3.500 | 5.750 | EY 6-4-4771-1 |
| 1 | 1760 | 2.390-46 | 3.500 | 6.000 | EY 6.3-4-381 |
| 1 | 1760 | 2.390-46 | 3.500 | 6.000 | EY 6.3-4-381-1 |
| 1 | 1810 | 2.390-46 | 3.500 | 6.156 | EY 6.5-4-2541 |
| 1 | 1810 | 2.390-46 | 3.500 | 6.156 | EY 6.5-4-2541-1 |

*C/L to End of Hub for EY (End Yoke); Flange Face to End of Hub for CF (Companion Flange)

■ Hub machined for speedometer gear



Important: See Safety Information in General Information Section (J300P-GI)



| Pos | Series | Spline Data | Hub Dia | * to End of Hub | End Fitting Part Number |
|-----|--------|-------------|---------|-----------------|-------------------------|
|-----|--------|-------------|---------|-----------------|-------------------------|

ALLISON

| MT-654CR | | | | | |
|----------------------------|------|----------|-------|-------|---------------|
| 1 | 1710 | 2.390-46 | 3.500 | 4.547 | CF 6-1-4671 |
| 1 | 1610 | 2.390-46 | 3.500 | 6.125 | EY 5-4-4861 |
| <i>Can be used w/brake</i> | | | | | |
| 1 | 1710 | 2.390-46 | 3.500 | 5.750 | EY 6-4-4771 |
| 1 | 1810 | 2.390-46 | 3.500 | 6.156 | EY 6.5-4-2541 |

| MTB-644, MTB-654 | | | | | |
|-------------------------|------|----------|-------|-------|---|
| 1 | 1810 | 2.364-18 | 3.750 | 5.625 | EY 6.5-4-4211-1 ■ <i>Fits trans w/retarder</i> |

| TC-10 | | | | | |
|--------------|--------|----------|-------|-------|-----------------|
| 1 | SPL350 | 2.795-55 | 4.724 | 5.688 | EY 350-4-161-1X |

| 1000, 2000 | | | | | |
|-------------------|--------|----------|-------|-------|--|
| 1 | SPL070 | 1.790-34 | 2.562 | 6.650 | EY 5001789 <i>Flanged yoke w/four holes in flange</i> |
| 1 | SPL55 | 1.790-34 | 2.564 | 4.870 | EY 5001480 |
| 1 | SPL70 | 1.790-34 | 2.562 | 6.650 | EY 70-4-01789-1X <i>Flanged yoke w/four holes in flange</i> |

| 5000, 6000 | | | | | |
|-------------------|------|----------|-------|-------|-------------|
| 1 | 1710 | 3.003-23 | 4.000 | 4.844 | EY 6-4-3141 |

| 10001 | | | | | |
|--------------|-------|----------|-------|-------|--|
| 1 | SPL70 | 1.790-34 | 2.564 | 5.530 | EY 70-4-181-1 <i>Can be used w/brake; Flanged yoke w/eight 7-73-620 bolts</i> |
| 1 | SPL70 | 1.790-34 | 2.564 | 5.530 | EY 70-4-191-1X <i>Can be used w/brake Flanged yoke w/eight 7-73-620 bolts</i> |

CATERPILLAR

| CX-31 | | | | | |
|--------------|--------|----------|-------|-------|----------------|
| 1 | SPL350 | 3.046-48 | 4.251 | 5.256 | EY 350-4-171-1 |

CLARK

| CL-450 | | | | | |
|---------------|-----------|----------|-------|-------|--|
| 1 | 1480/1550 | 1.750-10 | 2.500 | 2.734 | CF 4-1-5131 |
| 1 | 1480/1550 | 1.750-10 | 2.500 | 3.547 | CF 4-1-5211X |
| 1 | 1480/1550 | 1.750-10 | 2.500 | 3.547 | CF 4-1-7001 |
| 1 | SPL70 | 1.750-10 | 2.500 | 5.750 | EY 70-4-161-1 |
| 1 | SPL70 | 1.750-10 | 2.500 | 5.750 | EY 70-4-171-1X |
| 1 | SPL90 | 1.750-10 | 2.500 | 4.125 | EY 90-4-371-1 |
| 1 | 1480 | 1.750-10 | 2.500 | 5.109 | EY 3-4-11561-1 <i>Flanged end yoke, strap kit not furnished by Dana</i> |

| Pos | Series | Spline Data | Hub Dia | * to End of Hub | End Fitting Part Number |
|-----|--------|-------------|---------|-----------------|-------------------------|
|-----|--------|-------------|---------|-----------------|-------------------------|

CLARK

| CL-450 (Continued) | | | | | |
|---------------------------|------|----------|-------|-------|--|
| 1 | 1480 | 1.750-10 | 2.500 | 4.000 | EY 3-4-11871-1 |
| 1 | 1480 | 1.750-10 | 2.500 | 4.000 | EY 3-4-11871-2 <i>Attaching hardware by OEM</i> |
| 1 | 1480 | 1.750-10 | 2.500 | 4.000 | EY 3-4-9271-1 |
| 1 | 1550 | 1.750-10 | 2.500 | 4.125 | EY 4-4-4781-1 |
| 1 | 1550 | 1.750-10 | 2.500 | 4.125 | EY 4-4-4781-2 <i>Attaching hardware by OEM</i> |
| 1 | 1550 | 1.750-10 | 2.500 | 4.115 | EY 4-4-6791-2 <i>Attaching hardware by OEM</i> |
| 1 | 1610 | 1.750-10 | 2.500 | 4.125 | EY 5-4-7631-1 |

| CL-550 | | | | | |
|---------------|--------|----------|-------|-------|---|
| 1 | SPL140 | 1.962-10 | 2.750 | 5.810 | EY 140-4-181-1 |
| 1 | SPL90 | 1.962-10 | 2.750 | 4.984 | EY 90-4-381-1 |
| 1 | 1550 | 1.962-10 | 2.750 | 5.000 | EY 4-4-4771-2 <i>Attaching hardware by OEM</i> |
| 1 | 1550 | 1.750-10 | 2.500 | 4.290 | EY 4-4-5251-1 |
| 1 | 1550 | 1.962-10 | 2.750 | 5.000 | EY 4-4-6781-2 <i>Attaching hardware by OEM</i> |
| 1 | 1610 | 1.962-10 | 2.750 | 5.281 | EY 5-4-7041-1 |
| 1 | 1610 | 1.750-10 | 2.500 | 4.720 | EY 5-4-7581-1 |
| 1 | 1610 | 1.962-10 | 2.750 | 5.281 | EY 5-4-8361-1 |
| 1 | 1710 | 1.962-10 | 2.750 | 5.156 | EY 6-4-3831 |
| 1 | 1710 | 1.962-10 | 2.750 | 5.156 | EY 6-4-3831-1 |

| 204-V, 204-VO, 205-V, 205-VO, 207-VO, 208-V, 230-F, 231-F, 233-F, 264-V, 264-VO, 265-VO | | | | | |
|--|-----------|----------|-------|-------|-------------|
| 1 | 1350/1410 | 1.500-10 | 2.125 | 2.562 | CF 3-1-1151 |
| 1 | 1480/1550 | 1.500-10 | 2.125 | 2.625 | CF 4-1-2701 |

| 270-V, 270-VO | | | | | |
|----------------------|-----------|----------|-------|-------|-------------|
| 1 | 1480/1550 | 1.750-10 | 2.250 | 2.750 | CF 4-1-1381 |

| 271-T | | | | | |
|--------------|-----------|----------|-------|-------|-------------|
| 1 | 1350/1410 | 1.500-10 | 2.125 | 2.562 | CF 3-1-1151 |
| 1 | 1480/1550 | 1.500-10 | 2.125 | 2.625 | CF 4-1-2701 |

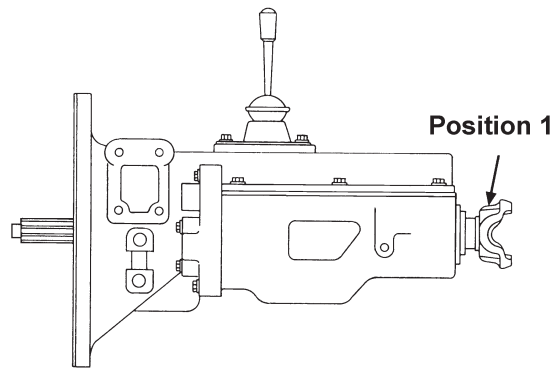
| 280-V, 282-V, 285-V, 288-V, 289-V, 290-V, 290-VO, 291-V, 303-X, 320-V, 320-VO, 325-V, 327-V, 328-V, 330-F, 330-FO, 331-F, 332-F, 333-F, 334-F | | | | | |
|--|-----------|----------|-------|-------|-------------|
| 1 | 1480/1550 | 1.750-10 | 2.250 | 2.750 | CF 4-1-1381 |

| 390 | | | | | |
|------------|------|----------|-------|-------|---|
| 1 | 1550 | 1.962-10 | 2.750 | 5.000 | EY 4-4-4771-2 <i>Attaching hardware by OEM</i> |
| 1 | 1610 | 1.962-10 | 2.750 | 5.281 | EY 5-4-7041-1 |

*C/L to End of Hub for EY (End Yoke); Flange Face to End of Hub for CF (Companion Flange)

■ Hub machined for speedometer gear





| Pos | Series | Spline Data | Hub Dia | * to End of Hub | End Fitting Part Number |
|-----|--------|-------------|---------|-----------------|-------------------------|
|-----|--------|-------------|---------|-----------------|-------------------------|

| | | | | | |
|-----------|----|----------|-------|-------|------------|
| AR | | | | | |
| 1 | 62 | 2.000-10 | 3.250 | 3.625 | CF 5-1-931 |

| | | | | | |
|---------------|------|----------|------|-------|---|
| C-2000 | | | | | |
| 1 | 1710 | 2.794-54 | .000 | 5.625 | EY 6-4-9231 |
| 1 | 1710 | 2.794-54 | .000 | 5.625 | EY 6-4-9231-1 |
| 1 | 1760 | 2.794-54 | .000 | 5.625 | EY 6.3-4-1681 <i>Hub diameter not ground</i> |
| 1 | 1760 | 2.794-54 | .000 | 5.625 | EY 6.3-4-1681-1 <i>Hub diameter not ground</i> |
| 1 | 1810 | 2.794-54 | .000 | 5.625 | EY 6.5-4-4631 <i>Hub diameter not ground</i> |
| 1 | 1810 | 2.794-54 | .000 | 5.625 | EY 6.5-4-4631-1 <i>Hub diameter not ground</i> |

FR-11210, FR-12210, FR-13210, FR-14210, FR-15210, FR-16210

| | | | | | |
|---|--------|----------|------|-------|---|
| 1 | SPL140 | 2.794-54 | .000 | 6.320 | EY 140-4-201-1 |
| 1 | SPL170 | 2.794-54 | .000 | 5.600 | EY 170-4-561-1 <i>Hub diameter not ground</i> |
| 1 | SPL250 | 2.794-54 | .000 | 5.703 | EY 250-4-271-1 <i>Hub diameter not ground</i> |
| 1 | 1710 | 2.794-54 | .000 | 5.625 | EY 6-4-9231 |
| 1 | 1710 | 2.794-54 | .000 | 5.625 | EY 6-4-9231-1 |
| 1 | 1760 | 2.794-54 | .000 | 5.625 | EY 6.3-4-1681 <i>Hub diameter not ground</i> |
| 1 | 1760 | 2.794-54 | .000 | 5.625 | EY 6.3-4-1681-1 <i>Hub diameter not ground</i> |
| 1 | 1810 | 2.794-54 | .000 | 5.625 | EY 6.5-4-4631 <i>Hub diameter not ground</i> |
| 1 | 1810 | 2.794-54 | .000 | 5.625 | EY 6.5-4-4631-1 <i>Hub diameter not ground</i> |

FRO-15210C

| | | | | | |
|---|--------|----------|------|-------|---|
| 1 | SPL140 | 2.794-54 | .000 | 6.320 | EY 140-4-201-1 |
| 1 | SPL170 | 2.794-54 | .000 | 5.600 | EY 170-4-561-1 <i>Hub diameter not ground</i> |
| 1 | 1710 | 2.794-54 | .000 | 5.625 | EY 6-4-9231 |
| 1 | 1710 | 2.794-54 | .000 | 5.625 | EY 6-4-9231-1 |
| 1 | 1760 | 2.794-54 | .000 | 5.625 | EY 6.3-4-1681 <i>Hub diameter not ground</i> |
| 1 | 1760 | 2.794-54 | .000 | 5.625 | EY 6.3-4-1681-1 <i>Hub diameter not ground</i> |
| 1 | 1810 | 2.794-54 | .000 | 5.625 | EY 6.5-4-4631 <i>Hub diameter not ground</i> |
| 1 | 1810 | 2.794-54 | .000 | 5.625 | EY 6.5-4-4631-1 <i>Hub diameter not ground</i> |

| Pos | Series | Spline Data | Hub Dia | * to End of Hub | End Fitting Part Number |
|-----|--------|-------------|---------|-----------------|-------------------------|
|-----|--------|-------------|---------|-----------------|-------------------------|

| | | | | | |
|---|--------|----------|------|-------|---|
| FRO-16210C, FRO-17210C, FRO-18210C | | | | | |
| 1 | SPL140 | 2.794-54 | .000 | 6.320 | EY 140-4-201-1 |
| 1 | SPL170 | 2.794-54 | .000 | 5.600 | EY 170-4-561-1 <i>Hub diameter not ground</i> |
| 1 | SPL250 | 2.794-54 | .000 | 5.703 | EY 250-4-271-1 <i>Hub diameter not ground</i> |
| 1 | 1710 | 2.794-54 | .000 | 5.625 | EY 6-4-9231 |
| 1 | 1710 | 2.794-54 | .000 | 5.625 | EY 6-4-9231-1 |
| 1 | 1760 | 2.794-54 | .000 | 5.625 | EY 6.3-4-1681 <i>Hub diameter not ground</i> |
| 1 | 1760 | 2.794-54 | .000 | 5.625 | EY 6.3-4-1681-1 <i>Hub diameter not ground</i> |
| 1 | 1810 | 2.794-54 | .000 | 5.625 | EY 6.5-4-4631 <i>Hub diameter not ground</i> |
| 1 | 1810 | 2.794-54 | .000 | 5.625 | EY 6.5-4-4631-1 <i>Hub diameter not ground</i> |

FS-3005, FS-3205

| | | | | | |
|---|-----------|----------|-------|-------|--|
| 1 | 1480/1550 | 1.750-10 | 2.500 | 2.734 | CF 4-1-5131 |
| 1 | 1480/1550 | 1.750-10 | 2.500 | 3.547 | CF 4-1-5211X |
| 1 | 1480/1550 | 1.750-10 | 2.500 | 3.547 | CF 4-1-7001 |
| 1 | SPL70 | 1.750-10 | 2.500 | 5.750 | EY 70-4-161-1 |
| 1 | SPL70 | 1.750-10 | 2.500 | 5.750 | EY 70-4-171-1X |
| 1 | SPL90 | 1.750-10 | 2.500 | 4.125 | EY 90-4-371-1 |
| 1 | 1480 | 1.750-10 | 2.500 | 5.109 | EY 3-4-11561-1 <i>Flanged end yoke, strap kit not furnished by Dana</i> |
| 1 | 1480 | 1.750-10 | 2.500 | 4.000 | EY 3-4-11871-1 |
| 1 | 1480 | 1.750-10 | 2.500 | 4.000 | EY 3-4-11871-2 <i>Attaching hardware by OEM</i> |
| 1 | 1480 | 1.750-10 | 2.500 | 4.000 | EY 3-4-9271-1 |
| 1 | 1550 | 1.750-10 | 2.500 | 4.125 | EY 4-4-4781-1 |
| 1 | 1550 | 1.750-10 | 2.500 | 4.115 | EY 4-4-6791-2 <i>Attaching hardware by OEM</i> |
| 1 | 1610 | 1.750-10 | 2.500 | 4.125 | EY 5-4-7631-1 |

FS-4005

| | | | | | |
|---|-----------|----------|-------|-------|--|
| 1 | 1480/1550 | 1.750-10 | 2.500 | 2.734 | CF 4-1-5131 |
| 1 | 1480/1550 | 1.750-10 | 2.500 | 3.547 | CF 4-1-5211X |
| 1 | 1480/1550 | 1.750-10 | 2.500 | 3.547 | CF 4-1-7001 |
| 1 | SPL70 | 1.750-10 | 2.500 | 5.750 | EY 70-4-161-1 |
| 1 | SPL70 | 1.750-10 | 2.500 | 5.750 | EY 70-4-171-1X |
| 1 | SPL90 | 1.750-10 | 2.500 | 4.125 | EY 90-4-371-1 |
| 1 | 1480 | 1.750-10 | 2.500 | 5.109 | EY 3-4-11561-1 <i>Flanged end yoke, strap kit not furnished by Dana</i> |
| 1 | 1480 | 1.750-10 | 2.500 | 4.000 | EY 3-4-11871-1 |
| 1 | 1480 | 1.750-10 | 2.500 | 4.000 | EY 3-4-11871-2 <i>Attaching hardware by OEM</i> |

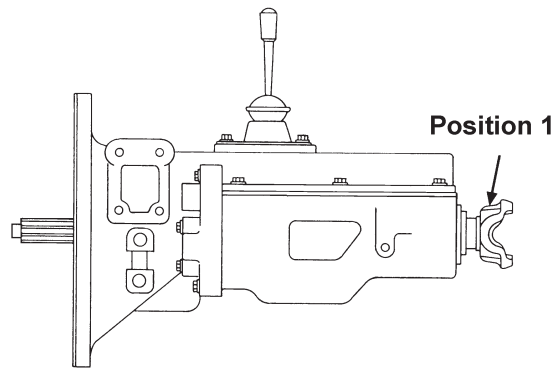
Continued on next page

*C/L to End of Hub for EY (End Yoke); Flange Face to End of Hub for CF (Companion Flange)

■ Hub machined for speedometer gear



Important: See Safety Information in General Information Section (J300P-GI)



| Pos | Series | Spline Data | Hub Dia | * to End of Hub | End Fitting Part Number |
|-----|--------|-------------|---------|-----------------|-------------------------|
|-----|--------|-------------|---------|-----------------|-------------------------|

FS-4005 (Continued)

| | | | | | |
|----------------------------------|------|----------|-------|-------|---------------|
| 1 | 1480 | 1.750-10 | 2.500 | 4.000 | EY 3-4-9271-1 |
| 1 | 1550 | 1.750-10 | 2.500 | 4.125 | EY 4-4-4781-1 |
| 1 | 1550 | 1.750-10 | 2.500 | 4.125 | EY 4-4-4781-2 |
| <i>Attaching hardware by OEM</i> | | | | | |
| 1 | 1550 | 1.750-10 | 2.500 | 4.115 | EY 4-4-6791-2 |
| <i>Attaching hardware by OEM</i> | | | | | |
| 1 | 1610 | 1.750-10 | 2.500 | 4.125 | EY 5-4-7631-1 |

FS-4205

| | | | | | |
|--|-----------|----------|-------|-------|----------------|
| 1 | 1480/1550 | 1.750-10 | 2.500 | 2.734 | CF 4-1-5131 |
| 1 | 1480/1550 | 1.750-10 | 2.500 | 3.547 | CF 4-1-5211X |
| 1 | 1480/1550 | 1.750-10 | 2.500 | 3.547 | CF 4-1-7001 |
| 1 | SPL55 | 1.750-10 | 2.500 | 5.102 | EY 55-4-111-1 |
| <i>Flanged end yoke.</i> | | | | | |
| 1 | SPL70 | 1.750-10 | 2.500 | 5.750 | EY 70-4-161-1 |
| 1 | SPL70 | 1.750-10 | 2.500 | 5.750 | EY 70-4-171-1X |
| 1 | SPL90 | 1.750-10 | 2.500 | 4.125 | EY 90-4-371-1 |
| 1 | 1480 | 1.750-10 | 2.500 | 5.109 | EY 3-4-11561-1 |
| <i>Flanged end yoke, strap kit not furnished by Dana</i> | | | | | |
| 1 | 1480 | 1.750-10 | 2.500 | 4.000 | EY 3-4-11871-1 |
| 1 | 1480 | 1.750-10 | 2.500 | 4.000 | EY 3-4-11871-2 |
| <i>Attaching hardware by OEM</i> | | | | | |
| 1 | 1480 | 1.750-10 | 2.500 | 4.000 | EY 3-4-9271-1 |
| 1 | 1550 | 1.750-10 | 2.500 | 4.125 | EY 4-4-4781-1 |
| 1 | 1550 | 1.750-10 | 2.500 | 4.125 | EY 4-4-4781-2 |
| <i>Attaching hardware by OEM</i> | | | | | |
| 1 | 1550 | 1.750-10 | 2.500 | 4.115 | EY 4-4-6791-2 |
| <i>Attaching hardware by OEM</i> | | | | | |
| 1 | 1610 | 1.750-10 | 2.500 | 4.125 | EY 5-4-7631-1 |

FS-5005

| | | | | | |
|----------------------------------|--------|----------|-------|-------|----------------|
| 1 | SPL140 | 1.962-10 | 2.750 | 5.810 | EY 140-4-181-1 |
| 1 | SPL90 | 1.962-10 | 2.750 | 4.984 | EY 90-4-381-1 |
| 1 | 1550 | 1.962-10 | 2.750 | 5.000 | EY 4-4-6781-2 |
| <i>Attaching hardware by OEM</i> | | | | | |
| 1 | 1610 | 1.750-10 | 2.500 | 4.720 | EY 5-4-7581-1 |
| 1 | 1610 | 1.962-10 | 2.750 | 5.281 | EY 5-4-8361-1 |
| 1 | 1710 | 1.962-10 | 2.750 | 5.156 | EY 6-4-3831 |
| 1 | 1710 | 1.962-10 | 2.750 | 5.156 | EY 6-4-3831-1 |

FS-5106A

| | | | | | |
|---|--------|----------|-------|-------|-----------------|
| 1 | 1610 | 1.998-38 | 2.750 | 4.688 | CF 5-1-6271 |
| <i>Assy includes eight 6-73-725 bolts</i> | | | | | |
| 1 | 1610 | 1.998-38 | 2.750 | 4.688 | CF 5-1-6471X |
| <i>Assy includes eight 6-73-725 bolts</i> | | | | | |
| 1 | SPL140 | 1.998-38 | 2.750 | 4.830 | EY 140-4-111-1 |
| 1 | SPL140 | 1.998-38 | 2.750 | 4.830 | EY 140-4-1131-1 |

| Pos | Series | Spline Data | Hub Dia | * to End of Hub | End Fitting Part Number |
|-----|--------|-------------|---------|-----------------|-------------------------|
|-----|--------|-------------|---------|-----------------|-------------------------|

FS-5106A (Continued)

| | | | | | |
|---|--------|----------|-------|-------|----------------|
| 1 | SPL140 | 1.998-38 | 2.750 | 4.730 | EY 140-4-891-1 |
| 1 | SPL170 | 1.998-38 | 2.750 | 4.844 | EY 170-4-541-1 |
| 1 | SPL90 | 1.998-38 | 2.750 | 4.250 | EY 90-4-391-1 |
| 1 | 1550 | 1.998-38 | 2.750 | 4.035 | EY 4-4-7341-1 |
| <i>S/A 4-4-4491-1 Except Hub has Slinger Diameter</i> | | | | | |
| 1 | 1610 | 1.998-38 | 2.750 | 4.125 | EY 5-4-6321 |
| 1 | 1610 | 1.998-38 | 2.750 | 4.000 | EY 5-4-6321-1 |
| 1 | 1610 | 1.998-38 | 2.750 | 4.000 | EY 5-4-8971-1 |
| 1 | 1710 | 1.998-38 | 2.750 | 5.250 | EY 6-4-7301 |
| 1 | 1710 | 1.998-38 | 2.750 | 5.250 | EY 6-4-7301-1 |

FS-5205

| | | | | | |
|----------------------------------|--------|----------|-------|-------|----------------|
| 1 | SPL140 | 1.962-10 | 2.750 | 5.810 | EY 140-4-181-1 |
| 1 | SPL90 | 1.962-10 | 2.750 | 4.984 | EY 90-4-381-1 |
| 1 | 1550 | 1.962-10 | 2.750 | 5.000 | EY 4-4-6781-2 |
| <i>Attaching hardware by OEM</i> | | | | | |
| 1 | 1610 | 1.962-10 | 2.750 | 5.281 | EY 5-4-8361-1 |
| 1 | 1710 | 1.962-10 | 2.750 | 5.156 | EY 6-4-3831 |
| 1 | 1710 | 1.962-10 | 2.750 | 5.156 | EY 6-4-3831-1 |

FS-5306A, FS-6005, FS-6105, FS-6106

| | | | | | |
|---|--------|----------|-------|-------|-----------------|
| 1 | 1610 | 1.998-38 | 2.750 | 4.688 | CF 5-1-6271 |
| <i>Assy includes eight 6-73-725 bolts</i> | | | | | |
| 1 | 1610 | 1.998-38 | 2.750 | 4.688 | CF 5-1-6471X |
| <i>Assy includes eight 6-73-725 bolts</i> | | | | | |
| 1 | SPL140 | 1.998-38 | 2.750 | 4.830 | EY 140-4-111-1 |
| 1 | SPL140 | 1.998-38 | 2.750 | 4.830 | EY 140-4-1131-1 |
| 1 | SPL140 | 1.998-38 | 2.750 | 4.730 | EY 140-4-891-1 |
| 1 | SPL170 | 1.998-38 | 2.750 | 4.844 | EY 170-4-541-1 |
| 1 | SPL90 | 1.998-38 | 2.750 | 4.250 | EY 90-4-391-1 |
| 1 | 1550 | 1.998-38 | 2.750 | 4.035 | EY 4-4-7341-1 |
| <i>S/A 4-4-4491-1 Except Hub has Slinger Diameter</i> | | | | | |
| 1 | 1610 | 1.998-38 | 2.750 | 4.125 | EY 5-4-6321 |
| 1 | 1610 | 1.998-38 | 2.750 | 4.000 | EY 5-4-6321-1 |
| 1 | 1610 | 1.998-38 | 2.750 | 4.000 | EY 5-4-8971-1 |
| 1 | 1710 | 1.998-38 | 2.750 | 5.250 | EY 6-4-7301 |
| 1 | 1710 | 1.998-38 | 2.750 | 5.250 | EY 6-4-7301-1 |

FS-6205

| | | | | | |
|---|--------|----------|-------|-------|----------------|
| 1 | 1610 | 1.998-38 | 2.750 | 4.688 | CF 5-1-6271 |
| <i>Assy includes eight 6-73-725 bolts</i> | | | | | |
| 1 | 1610 | 1.998-38 | 2.750 | 4.688 | CF 5-1-6471X |
| <i>Assy includes eight 6-73-725 bolts</i> | | | | | |
| 1 | SPL170 | 1.998-38 | 2.750 | 4.844 | EY 170-4-541-1 |
| 1 | SPL90 | 1.998-38 | 2.750 | 4.250 | EY 90-4-391-1 |
| 1 | 1550 | 1.998-38 | 2.750 | 4.035 | EY 4-4-7341-1 |
| <i>S/A 4-4-4491-1 Except Hub has Slinger Diameter</i> | | | | | |

*C/L to End of Hub for EY (End Yoke); Flange Face to End of Hub for CF (Companion Flange)

■ Hub machined for speedometer gear



| Pos | Series | Spline Data | Hub Dia | * to End of Hub | End Fitting Part Number |
|----------------------------|--------|-------------|---------|-----------------|--|
| FS-6205 (Continued) | | | | | |
| 1 | 1610 | 1.998-38 | 2.750 | 4.125 | EY 5-4-6321 |
| 1 | 1610 | 1.998-38 | 2.750 | 4.000 | EY 5-4-8971-1 |
| 1 | 1710 | 1.998-38 | 2.750 | 5.250 | EY 6-4-7301 |
| 1 | 1710 | 1.998-38 | 2.750 | 5.250 | EY 6-4-7301-1 |
| FS-6206A | | | | | |
| 1 | 1610 | 1.998-38 | 2.750 | 4.688 | CF 5-1-6271 <i>Assy includes eight 6-73-725 bolts</i> |
| 1 | 1610 | 1.998-38 | 2.750 | 4.688 | CF 5-1-6471X <i>Assy includes eight 6-73-725 bolts</i> |
| 1 | SPL140 | 1.998-38 | 2.750 | 4.830 | EY 140-4-111-1 |
| 1 | SPL140 | 1.998-38 | 2.750 | 4.830 | EY 140-4-1131-1 |
| 1 | SPL140 | 1.998-38 | 2.750 | 4.730 | EY 140-4-891-1 |
| 1 | SPL170 | 1.998-38 | 2.750 | 4.844 | EY 170-4-541-1 |
| 1 | SPL90 | 1.998-38 | 2.750 | 4.250 | EY 90-4-391-1 |
| 1 | 1550 | 1.998-38 | 2.750 | 4.035 | EY 4-4-7341-1 <i>S/A 4-4-4491-1 Except Hub has Slinger Diameter</i> |
| 1 | 1610 | 1.998-38 | 2.750 | 4.125 | EY 5-4-6321 |
| 1 | 1610 | 1.998-38 | 2.750 | 4.000 | EY 5-4-6321-1 |
| 1 | 1610 | 1.998-38 | 2.750 | 4.000 | EY 5-4-8971-1 |
| 1 | 1710 | 1.998-38 | 2.750 | 5.250 | EY 6-4-7301 |
| 1 | 1710 | 1.998-38 | 2.750 | 5.250 | EY 6-4-7301-1 |
| FS-6305 | | | | | |
| 1 | 1610 | 1.998-38 | 2.750 | 4.688 | CF 5-1-6271 <i>Assy includes eight 6-73-725 bolts</i> |
| 1 | 1610 | 1.998-38 | 2.750 | 4.688 | CF 5-1-6471X <i>Assy includes eight 6-73-725 bolts</i> |
| 1 | SPL170 | 1.998-38 | 2.750 | 4.844 | EY 170-4-541-1 |
| 1 | SPL90 | 1.998-38 | 2.750 | 4.250 | EY 90-4-391-1 |
| 1 | 1550 | 1.998-38 | 2.750 | 4.035 | EY 4-4-7341-1 <i>S/A 4-4-4491-1 Except Hub has Slinger Diameter</i> |
| 1 | 1610 | 1.998-38 | 2.750 | 4.125 | EY 5-4-6321 |
| 1 | 1610 | 1.998-38 | 2.750 | 4.000 | EY 5-4-8971-1 |
| 1 | 1710 | 1.998-38 | 2.750 | 5.250 | EY 6-4-7301 |
| 1 | 1710 | 1.998-38 | 2.750 | 5.250 | EY 6-4-7301-1 |
| FS-6306A | | | | | |
| 1 | 1610 | 1.998-38 | 2.750 | 4.688 | CF 5-1-6271 <i>Assy includes eight 6-73-725 bolts</i> |
| 1 | 1610 | 1.998-38 | 2.750 | 4.688 | CF 5-1-6471X <i>Assy includes eight 6-73-725 bolts</i> |
| 1 | SPL140 | 1.998-38 | 2.750 | 4.830 | EY 140-4-111-1 |
| 1 | SPL140 | 1.998-38 | 2.750 | 4.730 | EY 140-4-891-1 |
| 1 | SPL170 | 1.998-38 | 2.750 | 4.844 | EY 170-4-541-1 |
| 1 | SPL90 | 1.998-38 | 2.750 | 4.250 | EY 90-4-391-1 |
| 1 | 1550 | 1.998-38 | 2.750 | 4.035 | EY 4-4-7341-1 <i>S/A 4-4-4491-1 Except Hub has Slinger Diameter</i> |
| 1 | 1610 | 1.998-38 | 2.750 | 4.125 | EY 5-4-6321 |
| 1 | 1610 | 1.998-38 | 2.750 | 4.000 | EY 5-4-6321-1 |
| 1 | 1610 | 1.998-38 | 2.750 | 4.000 | EY 5-4-8971-1 |
| 1 | 1710 | 1.998-38 | 2.750 | 5.250 | EY 6-4-7301 |
| 1 | 1710 | 1.998-38 | 2.750 | 5.250 | EY 6-4-7301-1 |
| FS-7206A | | | | | |
| 1 | 1610 | 1.998-38 | 2.750 | 4.688 | CF 5-1-6271 <i>Assy includes eight 6-73-725 bolts</i> |
| 1 | 1610 | 1.998-38 | 2.750 | 4.688 | CF 5-1-6471X <i>Assy includes eight 6-73-725 bolts</i> |
| 1 | SPL140 | 1.998-38 | 2.750 | 4.830 | EY 140-4-111-1 |
| 1 | SPL140 | 1.998-38 | 2.750 | 4.830 | EY 140-4-1131-1 |
| 1 | SPL140 | 1.998-38 | 2.750 | 4.730 | EY 140-4-891-1 |
| 1 | SPL170 | 1.998-38 | 2.750 | 4.844 | EY 170-4-541-1 |

| Pos | Series | Spline Data | Hub Dia | * to End of Hub | End Fitting Part Number |
|-----------------------------|--------|-------------|---------|-----------------|--|
| FS-7206A (Continued) | | | | | |
| 1 | SPL90 | 1.998-38 | 2.750 | 4.250 | EY 90-4-391-1 |
| 1 | 1550 | 1.998-38 | 2.750 | 4.035 | EY 4-4-7341-1 <i>S/A 4-4-4491-1 Except Hub has Slinger Diameter</i> |
| 1 | 1610 | 1.998-38 | 2.750 | 4.125 | EY 5-4-6321 |
| 1 | 1610 | 1.998-38 | 2.750 | 4.000 | EY 5-4-6321-1 |
| 1 | 1710 | 1.998-38 | 2.750 | 5.250 | EY 6-4-7301 |
| 1 | 1710 | 1.998-38 | 2.750 | 5.250 | EY 6-4-7301-1 |
| FS-8109A | | | | | |
| 1 | 1610 | 2.250-10 | 3.500 | 3.625 | CF 5-1-6331 |
| 1 | 1810 | 2.250-10 | 3.500 | 3.688 | CF 6.5-1-151 |
| 1 | SPL140 | 2.250-10 | 3.500 | 6.000 | EY 140-4-1091-1 |
| 1 | SPL140 | 2.250-10 | 3.500 | 6.000 | EY 140-4-1101-1X |
| 1 | SPL170 | 2.250-10 | 3.500 | 5.750 | EY 170-4-451-1 |
| 1 | SPL170 | 2.250-10 | 3.500 | 5.750 | EY 170-4-461-1X |
| 1 | SPL90 | 2.250-10 | 3.500 | 5.219 | EY 90-4-151-1X |
| 1 | SPL90 | 2.250-10 | 3.750 | 5.219 | EY 90-4-161-1 |
| 1 | SPL90 | 2.250-10 | 3.750 | 5.219 | EY 90-4-171-1X |
| 1 | SPL90 | 2.250-10 | 3.500 | 5.219 | EY 90-4-401-1 |
| 1 | 1550 | 2.250-10 | 3.500 | 5.125 | EY 4-4-3501-1 |
| 1 | 1610 | 2.250-10 | 3.500 | 5.750 | EY 5-4-4961 |
| 1 | 1610 | 2.250-10 | 3.500 | 5.750 | EY 5-4-4961-1 |
| 1 | 1610 | 2.250-10 | 3.750 | 5.750 | EY 5-4-7381-1 |
| 1 | 1610 | 2.250-10 | 3.750 | 5.750 | EY 5-4-7391-1X |
| 1 | 1710 | 2.250-10 | 3.500 | 5.250 | EY 6-4-6861 |
| 1 | 1710 | 2.250-10 | 3.500 | 5.250 | EY 6-4-6861-1 |
| 1 | 1710 | 2.250-10 | 3.500 | 5.250 | EY 6-4-6901-1X |
| 1 | 1710 | 2.250-10 | 3.750 | 5.250 | EY 6-4-7371-1 |
| 1 | 1710 | 2.250-10 | 3.750 | 5.250 | EY 6-4-7381-1X |
| 1 | 1760 | 2.250-10 | 3.750 | 5.625 | EY 6.3-4-1091-1 |
| 1 | 1760 | 2.250-10 | 3.750 | 5.625 | EY 6.3-4-1101-1X |
| 1 | 1810 | 2.250-10 | 3.500 | 5.844 | EY 6.5-4-2021 |
| FS-8206 | | | | | |
| 1 | 1610 | 2.343-45 | 3.750 | 5.750 | EY 5-4-7651-1X |
| 1 | 1710 | 2.343-45 | 3.750 | 5.250 | EY 6-4-7251 |
| 1 | 1710 | 2.343-45 | 3.750 | 5.250 | EY 6-4-7251-1 |
| 1 | 1710 | 2.343-45 | 3.750 | 5.250 | EY 6-4-7271-1X |
| 1 | 1710 | 2.343-45 | 3.750 | 5.250 | EY 6-4-7271X |
| 1 | 1760 | 2.343-45 | 3.750 | 5.656 | EY 6.3-4-841-1 |
| FSB-5305 | | | | | |
| 1 | SPL140 | 1.962-10 | 2.750 | 5.810 | EY 140-4-181-1 |
| 1 | SPL90 | 1.962-10 | 2.750 | 4.984 | EY 90-4-381-1 |
| 1 | 1550 | 1.962-10 | 2.750 | 5.000 | EY 4-4-6781-2 <i>Attaching hardware by OEM</i> |
| 1 | 1610 | 1.962-10 | 2.750 | 5.281 | EY 5-4-8361-1 |
| 1 | 1710 | 1.962-10 | 2.750 | 5.156 | EY 6-4-3831 |
| 1 | 1710 | 1.962-10 | 2.750 | 5.156 | EY 6-4-3831-1 |
| MRT-11609, MRT-11610 | | | | | |
| 1 | 1710 | 2.500-10 | 3.750 | 3.625 | CF 6-1-5541 |
| 1 | 1710 | 2.500-10 | 3.750 | 3.625 | CF 6-1-5651X |
| 1 | 1810 | 2.500-10 | 3.750 | 3.625 | CF 6.5-1-2271 |
| 1 | 1810 | 2.500-10 | 3.750 | 3.625 | CF 6.5-1-2351X |
| 1 | SPL170 | 2.500-10 | 3.750 | 5.750 | EY 170-4-471-1■ |
| 1 | SPL170 | 2.500-10 | 3.750 | 5.750 | EY 170-4-481-1X■ |
| 1 | SPL250 | 2.500-10 | 3.750 | 6.062 | EY 250-4-191-1■ |
| 1 | SPL250 | 2.500-10 | 3.750 | 6.062 | EY 250-4-201-1X■ |

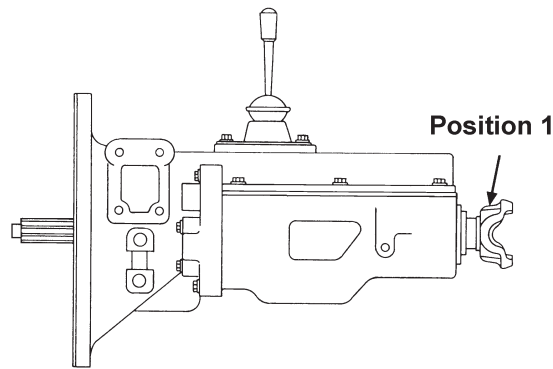
Continued on next page

*C/L to End of Hub for EY (End Yoke); Flange Face to End of Hub for CF (Companion Flange)

■ Hub machined for speedometer gear



Important: See Safety Information in General Information Section (J300P-GI)



| Pos | Series | Spline Data | Hub Dia | * to End of Hub | End Fitting Part Number |
|-----|--------|-------------|---------|-----------------|-------------------------|
|-----|--------|-------------|---------|-----------------|-------------------------|

MRT-11609, MRT-11610 (Continued)

| | | | | | |
|---|------|----------|-------|-------|-------------------|
| 1 | 1710 | 2.500-10 | 3.750 | 5.625 | EY 6-4-6611■ |
| 1 | 1710 | 2.500-10 | 3.750 | 5.625 | EY 6-4-6611-1■ |
| 1 | 1710 | 2.500-10 | 3.750 | 5.625 | EY 6-4-6921-1X■ |
| 1 | 1710 | 2.500-10 | 3.750 | 5.625 | EY 6-4-6921X■ |
| 1 | 1760 | 2.500-10 | 3.750 | 6.000 | EY 6.3-4-651■ |
| 1 | 1760 | 2.500-10 | 3.750 | 6.031 | EY 6.3-4-651-1■ |
| 1 | 1760 | 2.500-10 | 3.750 | 6.031 | EY 6.3-4-781-1X■ |
| 1 | 1760 | 2.500-10 | 3.750 | 6.000 | EY 6.3-4-781X■ |
| 1 | 1810 | 2.500-10 | 3.750 | 5.875 | EY 6.5-4-3451■ |
| 1 | 1810 | 2.500-10 | 3.750 | 5.875 | EY 6.5-4-3451-1■ |
| 1 | 1810 | 2.500-10 | 3.750 | 5.875 | EY 6.5-4-3551-1X■ |
| 1 | 1810 | 2.500-10 | 3.750 | 5.875 | EY 6.5-4-3551X■ |

MRT-11613, MRT-11615

| | | | | | |
|---|--------|----------|-------|-------|-------------------|
| 1 | 1710 | 2.500-10 | 3.750 | 3.625 | CF 6-1-5541 |
| 1 | 1710 | 2.500-10 | 3.750 | 3.625 | CF 6-1-5651X |
| 1 | 1810 | 2.500-10 | 3.750 | 3.625 | CF 6.5-1-2271 |
| 1 | 1810 | 2.500-10 | 3.750 | 3.625 | CF 6.5-1-2351X |
| 1 | SPL140 | 2.500-10 | 3.750 | 5.960 | EY 140-4-41-1 |
| 1 | SPL140 | 2.500-10 | 3.750 | 5.960 | EY 140-4-51-1X |
| 1 | SPL170 | 2.500-10 | 3.750 | 5.750 | EY 170-4-471-1■ |
| 1 | SPL170 | 2.500-10 | 3.750 | 5.750 | EY 170-4-481-1X■ |
| 1 | SPL250 | 2.500-10 | 3.750 | 6.062 | EY 250-4-191-1■ |
| 1 | SPL250 | 2.500-10 | 3.750 | 6.062 | EY 250-4-201-1X■ |
| 1 | 1710 | 2.500-10 | 3.750 | 5.625 | EY 6-4-6611■ |
| 1 | 1710 | 2.500-10 | 3.750 | 5.625 | EY 6-4-6611-1■ |
| 1 | 1710 | 2.500-10 | 3.750 | 5.625 | EY 6-4-6921-1X■ |
| 1 | 1710 | 2.500-10 | 3.750 | 5.625 | EY 6-4-6921X■ |
| 1 | 1760 | 2.500-10 | 3.750 | 6.000 | EY 6.3-4-651■ |
| 1 | 1760 | 2.500-10 | 3.750 | 6.031 | EY 6.3-4-651-1■ |
| 1 | 1760 | 2.500-10 | 3.750 | 6.031 | EY 6.3-4-781-1X■ |
| 1 | 1760 | 2.500-10 | 3.750 | 6.000 | EY 6.3-4-781X■ |
| 1 | 1810 | 2.500-10 | 3.750 | 5.875 | EY 6.5-4-3451■ |
| 1 | 1810 | 2.500-10 | 3.750 | 5.875 | EY 6.5-4-3451-1■ |
| 1 | 1810 | 2.500-10 | 3.750 | 5.875 | EY 6.5-4-3551-1X■ |
| 1 | 1810 | 2.500-10 | 3.750 | 5.875 | EY 6.5-4-3551X■ |

MT-905

| | | | | | |
|---|--------|----------|-------|-------|--|
| 1 | 1610 | 2.250-10 | 3.500 | 3.625 | CF 5-1-6331 |
| 1 | 1710 | 2.250-10 | 3.500 | 3.688 | CF 6-1-951 |
| 1 | 1810 | 2.250-10 | 3.500 | 3.688 | CF 6.5-1-151 |
| 1 | SPL170 | 2.250-10 | 3.500 | 5.750 | EY 170-4-451-1 |
| | | | | | <i>Change seal to service older trans.</i> |
| 1 | SPL170 | 2.250-10 | 3.500 | 5.750 | EY 170-4-461-1X |
| | | | | | <i>Change seal to service older trans.</i> |

| Pos | Series | Spline Data | Hub Dia | * to End of Hub | End Fitting Part Number |
|-----|--------|-------------|---------|-----------------|-------------------------|
|-----|--------|-------------|---------|-----------------|-------------------------|

MT-905 (Continued)

| | | | | | |
|---|-------|----------|-------|-------|--|
| 1 | SPL90 | 2.250-10 | 3.500 | 5.219 | EY 90-4-151-1X |
| 1 | SPL90 | 2.250-10 | 3.750 | 5.219 | EY 90-4-171-1X |
| | | | | | <i>Change seal to service older trans.</i> |
| 1 | 1610 | 2.250-10 | 3.500 | 5.750 | EY 5-4-4961 |
| 1 | 1610 | 2.250-10 | 3.500 | 5.750 | EY 5-4-4961-1 |
| 1 | 1610 | 2.250-10 | 3.750 | 5.750 | EY 5-4-7391-1X |
| 1 | 1710 | 2.250-10 | 3.500 | 5.250 | EY 6-4-6861 |
| 1 | 1710 | 2.250-10 | 3.500 | 5.250 | EY 6-4-6861-1 |
| 1 | 1710 | 2.250-10 | 3.500 | 5.250 | EY 6-4-6901-1X |
| 1 | 1710 | 2.250-10 | 3.750 | 5.250 | EY 6-4-7381-1X |
| | | | | | <i>Change seal to service older trans.</i> |
| 1 | 1760 | 2.250-10 | 3.500 | 5.656 | EY 6.3-4-701-1 |
| 1 | 1810 | 2.250-10 | 3.500 | 5.844 | EY 6.5-4-2021 |
| 2 | 1610 | 2.250-10 | 3.500 | 3.625 | CF 5-1-6331 |
| 2 | 1810 | 2.250-10 | 3.500 | 3.688 | CF 6.5-1-151 |
| 2 | SPL90 | 2.250-10 | 3.500 | 5.219 | EY 90-4-151-1X |
| 2 | 1610 | 2.250-10 | 3.500 | 5.750 | EY 5-4-4961 |
| 2 | 1610 | 2.250-10 | 3.500 | 5.750 | EY 5-4-4961-1 |
| 2 | 1710 | 2.250-10 | 3.500 | 5.250 | EY 6-4-6861 |
| 2 | 1810 | 2.250-10 | 3.500 | 5.844 | EY 6.5-4-2021 |

MT-11605

| | | | | | |
|---|-------|----------|-------|-------|--|
| 1 | 1610 | 2.250-10 | 3.500 | 3.625 | CF 5-1-6331 |
| 1 | 1710 | 2.250-10 | 3.500 | 3.688 | CF 6-1-951 |
| 1 | 1810 | 2.250-10 | 3.500 | 3.688 | CF 6.5-1-151 |
| 1 | SPL90 | 2.250-10 | 3.500 | 5.219 | EY 90-4-151-1X |
| 1 | SPL90 | 2.250-10 | 3.750 | 5.219 | EY 90-4-161-1 |
| 1 | SPL90 | 2.250-10 | 3.750 | 5.219 | EY 90-4-171-1X |
| | | | | | <i>Change seal to service older trans.</i> |
| 1 | 1610 | 2.250-10 | 3.500 | 5.750 | EY 5-4-4961 |
| 1 | 1610 | 2.250-10 | 3.500 | 5.750 | EY 5-4-4961-1 |
| 1 | 1610 | 2.250-10 | 3.750 | 5.750 | EY 5-4-7381-1 |
| 1 | 1610 | 2.250-10 | 3.750 | 5.750 | EY 5-4-7391-1X |
| 1 | 1710 | 2.250-10 | 3.500 | 5.250 | EY 6-4-6861 |
| 1 | 1710 | 2.250-10 | 3.500 | 5.250 | EY 6-4-6861-1 |
| 1 | 1710 | 2.250-10 | 3.500 | 5.250 | EY 6-4-6901-1X |
| 1 | 1710 | 2.250-10 | 3.750 | 5.250 | EY 6-4-7371-1 |
| 1 | 1710 | 2.250-10 | 3.750 | 5.250 | EY 6-4-7381-1X |
| | | | | | <i>Change seal to service older trans.</i> |
| 1 | 1760 | 2.250-10 | 3.750 | 5.625 | EY 6.3-4-1091-1 |
| 1 | 1760 | 2.250-10 | 3.750 | 5.625 | EY 6.3-4-1101-1X |
| | | | | | <i>Change seal to service older trans.</i> |
| 1 | 1760 | 2.250-10 | 3.500 | 5.656 | EY 6.3-4-701-1 |
| 1 | 1810 | 2.250-10 | 3.500 | 5.844 | EY 6.5-4-2021 |

*C/L to End of Hub for EY (End Yoke); Flange Face to End of Hub for CF (Companion Flange)

■ Hub machined for speedometer gear



| Pos | Series | Spline Data | Hub Dia | * to End of Hub | End Fitting Part Number |
|------------------------------|--------|-------------|---------|-----------------|-------------------------|
| MT-11605 (Continued) | | | | | |
| 2 | 1610 | 2.250-10 | 3.500 | 3.625 | CF 5-1-6331 |
| 2 | 1810 | 2.250-10 | 3.500 | 3.688 | CF 6.5-1-151 |
| 2 | SPL90 | 2.250-10 | 3.500 | 5.219 | EY 90-4-151-1X |
| 2 | SPL90 | 2.250-10 | 3.500 | 5.219 | EY 90-4-401-1 |
| 2 | 1610 | 2.250-10 | 3.500 | 5.750 | EY 5-4-4961 |
| 2 | 1610 | 2.250-10 | 3.500 | 5.750 | EY 5-4-4961-1 |
| 2 | 1710 | 2.250-10 | 3.500 | 5.250 | EY 6-4-6861 |
| 2 | 1710 | 2.250-10 | 3.500 | 5.250 | EY 6-4-6861-1 |
| 2 | 1810 | 2.250-10 | 3.500 | 5.844 | EY 6.5-4-2021 |
| MT-9509-A | | | | | |
| 1 | 1710 | 2.500-10 | 3.750 | 3.625 | CF 6-1-5651X |
| 1 | 1810 | 2.500-10 | 3.750 | 3.625 | CF 6.5-1-2351X |
| 1 | 1610 | 2.500-10 | 3.750 | 6.125 | EY 5-4-4971■ |
| 1 | 1710 | 2.500-10 | 3.750 | 5.625 | EY 6-4-6921-1X■ |
| 1 | 1710 | 2.500-10 | 3.750 | 5.625 | EY 6-4-6921X■ |
| 1 | 1760 | 2.500-10 | 3.750 | 6.031 | EY 6.3-4-781-1X■ |
| 1 | 1760 | 2.500-10 | 3.750 | 6.000 | EY 6.3-4-781X■ |
| 1 | 1810 | 2.500-10 | 3.750 | 5.875 | EY 6.5-4-3551-1X■ |
| 1 | 1810 | 2.500-10 | 3.750 | 5.875 | EY 6.5-4-3551X■ |
| R-510, R-610 | | | | | |
| 1 | SPL170 | 2.250-10 | 3.500 | 5.750 | EY 170-4-461-1X |
| 1 | SPL90 | 2.250-10 | 3.500 | 5.219 | EY 90-4-151-1X |
| R-910 | | | | | |
| 1 | SPL140 | 2.500-10 | 3.750 | 5.960 | EY 140-4-51-1X |
| R-96T | | | | | |
| 1 | 1610 | 2.250-10 | 3.500 | 3.625 | CF 5-1-6331 |
| 1 | 1810 | 2.250-10 | 3.500 | 3.688 | CF 6.5-1-151 |
| 1 | SPL170 | 2.250-10 | 3.500 | 5.750 | EY 170-4-451-1 |
| 1 | SPL170 | 2.250-10 | 3.500 | 5.750 | EY 170-4-461-1X |
| 1 | SPL90 | 2.250-10 | 3.500 | 5.219 | EY 90-4-151-1X |
| 1 | SPL90 | 2.250-10 | 3.500 | 5.219 | EY 90-4-401-1 |
| 1 | 1610 | 2.250-10 | 3.500 | 5.750 | EY 5-4-4961 |
| 1 | 1610 | 2.250-10 | 3.500 | 5.750 | EY 5-4-4961-1 |
| 1 | 1710 | 2.250-10 | 3.500 | 5.250 | EY 6-4-6861 |
| 1 | 1710 | 2.250-10 | 3.500 | 5.250 | EY 6-4-6861-1 |
| 1 | 1710 | 2.250-10 | 3.500 | 5.250 | EY 6-4-6901-1X |
| 1 | 1810 | 2.250-10 | 3.500 | 5.844 | EY 6.5-4-2021 |
| R-960, R-1150, R-1160 | | | | | |
| 1 | 1610 | 2.250-10 | 3.500 | 3.625 | CF 5-1-6331 |
| 1 | 1810 | 2.250-10 | 3.500 | 3.688 | CF 6.5-1-151 |
| 1 | SPL170 | 2.250-10 | 3.500 | 5.750 | EY 170-4-451-1 |
| 1 | SPL170 | 2.250-10 | 3.500 | 5.750 | EY 170-4-461-1X |
| 1 | SPL90 | 2.250-10 | 3.500 | 5.219 | EY 90-4-151-1X |
| 1 | SPL90 | 2.250-10 | 3.500 | 5.219 | EY 90-4-401-1 |
| 1 | 1550 | 2.250-10 | 3.500 | 5.125 | EY 4-4-3501-1 |
| 1 | 1610 | 2.250-10 | 3.500 | 5.750 | EY 5-4-4961 |
| 1 | 1610 | 2.250-10 | 3.500 | 5.750 | EY 5-4-4961-1 |
| 1 | 1710 | 2.250-10 | 3.500 | 5.250 | EY 6-4-6861 |
| 1 | 1710 | 2.250-10 | 3.500 | 5.250 | EY 6-4-6861-1 |
| 1 | 1710 | 2.250-10 | 3.500 | 5.250 | EY 6-4-6901-1X |
| 1 | 1810 | 2.250-10 | 3.500 | 5.844 | EY 6.5-4-2021 |
| R-1550 | | | | | |
| 1 | 1810 | 2.750-10 | 3.750 | 4.062 | CF 6.5-1-2311 |
| 1 | 1810 | 2.750-10 | 3.750 | 4.062 | CF 6.5-1-2361X |
| 1 | SPL140 | 2.750-10 | 3.750 | 6.570 | EY 140-4-81-1 |
| 1 | SPL140 | 2.750-10 | 3.750 | 6.570 | EY 140-4-91-1X |

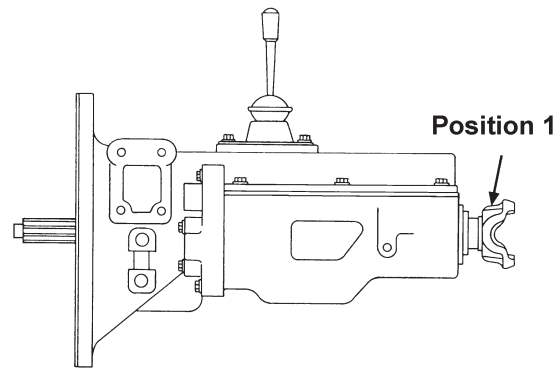
| Pos | Series | Spline Data | Hub Dia | * to End of Hub | End Fitting Part Number |
|--|--------|-------------|---------|-----------------|-------------------------|
| R-1550 (Continued) | | | | | |
| 1 | SPL170 | 2.750-10 | 3.750 | 5.850 | EY 170-4-511-1 |
| 1 | SPL170 | 2.750-10 | 3.750 | 5.850 | EY 170-4-521-1X |
| 1 | SPL250 | 2.750-10 | 3.750 | 6.297 | EY 250-4-231-1 |
| 1 | SPL250 | 2.750-10 | 3.750 | 6.297 | EY 250-4-241-1X |
| 1 | 1710 | 2.750-10 | 3.750 | 5.750 | EY 6-4-6821 |
| 1 | 1710 | 2.750-10 | 3.750 | 5.750 | EY 6-4-6821-1 |
| 1 | 1710 | 2.750-10 | 3.750 | 5.750 | EY 6-4-6931-1X |
| 1 | 1710 | 2.750-10 | 3.750 | 5.750 | EY 6-4-6931X |
| 1 | 1760 | 2.750-10 | 3.750 | 5.969 | EY 6.3-4-711 |
| 1 | 1760 | 2.750-10 | 3.750 | 5.969 | EY 6.3-4-711-1 |
| 1 | 1760 | 2.750-10 | 3.750 | 5.969 | EY 6.3-4-791-1X |
| 1 | 1760 | 2.750-10 | 3.750 | 5.969 | EY 6.3-4-791X |
| 1 | 1810 | 2.750-10 | 3.750 | 6.062 | EY 6.5-4-3491 |
| 1 | 1810 | 2.750-10 | 3.750 | 6.062 | EY 6.5-4-3491-1 |
| 1 | 1810 | 2.750-10 | 3.750 | 6.062 | EY 6.5-4-3561-1X |
| 1 | 1810 | 2.750-10 | 3.750 | 6.062 | EY 6.5-4-3561X |
| RA-96T | | | | | |
| 1 | 1610 | 2.250-10 | 3.500 | 3.625 | CF 5-1-6331 |
| 1 | 1710 | 2.250-10 | 3.500 | 3.688 | CF 6-1-951 |
| 1 | 1810 | 2.250-10 | 3.500 | 3.688 | CF 6.5-1-151 |
| 1 | SPL90 | 2.250-10 | 3.500 | 5.219 | EY 90-4-151-1X |
| 1 | SPL90 | 2.250-10 | 3.750 | 5.219 | EY 90-4-171-1X |
| <i>Change seal to service older trans.</i> | | | | | |
| 1 | 1550 | 2.250-10 | 3.500 | 5.125 | EY 4-4-3501-1 |
| 1 | 1610 | 2.250-10 | 3.500 | 5.750 | EY 5-4-4961 |
| 1 | 1610 | 2.250-10 | 3.500 | 5.750 | EY 5-4-4961-1 |
| 1 | 1610 | 2.250-10 | 3.750 | 5.750 | EY 5-4-7391-1X |
| 1 | 1710 | 2.250-10 | 3.500 | 5.250 | EY 6-4-6861 |
| 1 | 1710 | 2.250-10 | 3.500 | 5.250 | EY 6-4-6861-1 |
| 1 | 1710 | 2.250-10 | 3.500 | 5.250 | EY 6-4-6901-1X |
| 1 | 1710 | 2.250-10 | 3.750 | 5.250 | EY 6-4-7381-1X |
| <i>Change seal to service older trans.</i> | | | | | |
| 1 | 1760 | 2.250-10 | 3.750 | 5.625 | EY 6.3-4-1101-1X |
| <i>Change seal to service older trans.</i> | | | | | |
| 1 | 1760 | 2.250-10 | 3.500 | 5.656 | EY 6.3-4-701-1 |
| 1 | 1810 | 2.250-10 | 3.500 | 5.844 | EY 6.5-4-2021 |
| RA-960 | | | | | |
| 1 | 1610 | 2.250-10 | 3.500 | 3.625 | CF 5-1-6331 |
| 1 | 1710 | 2.250-10 | 3.500 | 3.688 | CF 6-1-951 |
| 1 | 1810 | 2.250-10 | 3.500 | 3.688 | CF 6.5-1-151 |
| 1 | SPL90 | 2.250-10 | 3.500 | 5.219 | EY 90-4-151-1X |
| 1 | SPL90 | 2.250-10 | 3.750 | 5.219 | EY 90-4-171-1X |
| <i>Change seal to service older trans.</i> | | | | | |
| 1 | 1550 | 2.250-10 | 3.500 | 5.125 | EY 4-4-3501-1 |
| 1 | 1610 | 2.250-10 | 3.500 | 5.750 | EY 5-4-4961 |
| 1 | 1610 | 2.250-10 | 3.500 | 5.750 | EY 5-4-4961-1 |
| 1 | 1610 | 2.250-10 | 3.750 | 5.750 | EY 5-4-7391-1X |
| 1 | 1710 | 2.250-10 | 3.500 | 5.250 | EY 6-4-6861 |
| 1 | 1710 | 2.250-10 | 3.500 | 5.250 | EY 6-4-6861-1 |
| 1 | 1710 | 2.250-10 | 3.500 | 5.250 | EY 6-4-6901-1X |
| 1 | 1710 | 2.250-10 | 3.750 | 5.250 | EY 6-4-7381-1X |
| <i>Change seal to service older trans.</i> | | | | | |
| 1 | 1760 | 2.250-10 | 3.500 | 5.656 | EY 6.3-4-701-1 |
| 1 | 1810 | 2.250-10 | 3.500 | 5.844 | EY 6.5-4-2021 |
| RAO-11710 | | | | | |
| 1 | SPL140 | 2.500-10 | 3.750 | 5.960 | EY 140-4-51-1X |

*C/L to End of Hub for EY (End Yoke); Flange Face to End of Hub for CF (Companion Flange)

■ Hub machined for speedometer gear



Important: See Safety Information in General Information Section (J300P-GI)



| Pos | Series | Spline Data | Hub Dia | * to End of Hub | End Fitting Part Number |
|-----|--------|-------------|---------|-----------------|-------------------------|
|-----|--------|-------------|---------|-----------------|-------------------------|

RT-510, RT-610

| | | | | | |
|---|--------|----------|-------|-------|-----------------|
| 1 | 1610 | 2.250-10 | 3.500 | 3.625 | CF 5-1-6331 |
| 1 | 1810 | 2.250-10 | 3.500 | 3.688 | CF 6.5-1-151 |
| 1 | SPL170 | 2.250-10 | 3.500 | 5.750 | EY 170-4-451-1 |
| 1 | SPL170 | 2.250-10 | 3.500 | 5.750 | EY 170-4-461-1X |
| 1 | SPL90 | 2.250-10 | 3.500 | 5.219 | EY 90-4-151-1X |
| 1 | SPL90 | 2.250-10 | 3.500 | 5.219 | EY 90-4-401-1 |
| 1 | 1550 | 2.250-10 | 3.500 | 5.125 | EY 4-4-3501-1 |
| 1 | 1610 | 2.250-10 | 3.500 | 5.750 | EY 5-4-4961 |
| 1 | 1610 | 2.250-10 | 3.500 | 5.750 | EY 5-4-4961-1 |
| 1 | 1710 | 2.250-10 | 3.500 | 5.250 | EY 6-4-6861 |
| 1 | 1710 | 2.250-10 | 3.500 | 5.250 | EY 6-4-6861-1 |
| 1 | 1710 | 2.250-10 | 3.500 | 5.250 | EY 6-4-6901-1X |
| 1 | 1810 | 2.250-10 | 3.500 | 5.844 | EY 6.5-4-2021 |

RT-613, RT-906

| | | | | | |
|---|--------|----------|-------|-------|-------------------|
| 1 | 1710 | 2.500-10 | 3.750 | 3.625 | CF 6-1-5541 |
| 1 | 1710 | 2.500-10 | 3.750 | 3.625 | CF 6-1-5651X |
| 1 | 1810 | 2.500-10 | 3.750 | 3.625 | CF 6.5-1-2271 |
| 1 | 1810 | 2.500-10 | 3.750 | 3.625 | CF 6.5-1-2351X |
| 1 | SPL140 | 2.500-10 | 3.750 | 5.960 | EY 140-4-41-1 |
| 1 | SPL140 | 2.500-10 | 3.750 | 5.960 | EY 140-4-51-1X |
| 1 | SPL170 | 2.500-10 | 3.750 | 5.750 | EY 170-4-471-1■ |
| 1 | SPL170 | 2.500-10 | 3.750 | 5.750 | EY 170-4-481-1X■ |
| 1 | SPL250 | 2.500-10 | 3.750 | 6.062 | EY 250-4-191-1■ |
| 1 | SPL250 | 2.500-10 | 3.750 | 6.062 | EY 250-4-201-1X■ |
| 1 | 1710 | 2.500-10 | 3.750 | 5.625 | EY 6-4-6611■ |
| 1 | 1710 | 2.500-10 | 3.750 | 5.625 | EY 6-4-6611-1■ |
| 1 | 1710 | 2.500-10 | 3.750 | 5.625 | EY 6-4-6921-1X■ |
| 1 | 1710 | 2.500-10 | 3.750 | 5.625 | EY 6-4-6921X■ |
| 1 | 1760 | 2.500-10 | 3.750 | 6.000 | EY 6.3-4-651■ |
| 1 | 1760 | 2.500-10 | 3.750 | 6.031 | EY 6.3-4-651-1■ |
| 1 | 1760 | 2.500-10 | 3.750 | 6.031 | EY 6.3-4-781-1X■ |
| 1 | 1760 | 2.500-10 | 3.750 | 6.000 | EY 6.3-4-781X■ |
| 1 | 1810 | 2.500-10 | 3.750 | 5.875 | EY 6.5-4-3451■ |
| 1 | 1810 | 2.500-10 | 3.750 | 5.875 | EY 6.5-4-3451-1■ |
| 1 | 1810 | 2.500-10 | 3.750 | 5.875 | EY 6.5-4-3551-1X■ |
| 1 | 1810 | 2.500-10 | 3.750 | 5.875 | EY 6.5-4-3551X■ |

RT-909A

| | | | | | |
|---|--------|----------|-------|-------|----------------|
| 1 | 1710 | 2.500-10 | 3.750 | 3.625 | CF 6-1-5541 |
| 1 | 1710 | 2.500-10 | 3.750 | 3.625 | CF 6-1-5651X |
| 1 | 1810 | 2.500-10 | 3.750 | 3.625 | CF 6.5-1-2271 |
| 1 | 1810 | 2.500-10 | 3.750 | 3.625 | CF 6.5-1-2351X |
| 1 | SPL140 | 2.500-10 | 3.750 | 5.960 | EY 140-4-41-1 |
| 1 | SPL140 | 2.500-10 | 3.750 | 5.960 | EY 140-4-51-1X |

| Pos | Series | Spline Data | Hub Dia | * to End of Hub | End Fitting Part Number |
|-----|--------|-------------|---------|-----------------|-------------------------|
|-----|--------|-------------|---------|-----------------|-------------------------|

RT-909A (Continued)

| | | | | | |
|---|--------|----------|-------|-------|-------------------|
| 1 | SPL170 | 2.500-10 | 3.750 | 5.750 | EY 170-4-471-1■ |
| 1 | SPL170 | 2.500-10 | 3.750 | 5.750 | EY 170-4-481-1X■ |
| 1 | SPL250 | 2.500-10 | 3.750 | 6.062 | EY 250-4-191-1■ |
| 1 | SPL250 | 2.500-10 | 3.750 | 6.062 | EY 250-4-201-1X■ |
| 1 | 1710 | 2.500-10 | 3.750 | 5.625 | EY 6-4-6611■ |
| 1 | 1710 | 2.500-10 | 3.750 | 5.625 | EY 6-4-6611-1■ |
| 1 | 1710 | 2.500-10 | 3.750 | 5.625 | EY 6-4-6921-1X■ |
| 1 | 1710 | 2.500-10 | 3.750 | 5.625 | EY 6-4-6921X■ |
| 1 | 1760 | 2.500-10 | 3.750 | 6.000 | EY 6.3-4-651■ |
| 1 | 1760 | 2.500-10 | 3.750 | 6.031 | EY 6.3-4-651-1■ |
| 1 | 1760 | 2.500-10 | 3.750 | 6.031 | EY 6.3-4-781-1X■ |
| 1 | 1760 | 2.500-10 | 3.750 | 6.000 | EY 6.3-4-781X■ |
| 1 | 1810 | 2.225-6 | 3.000 | 6.000 | EY 6.5-4-2271X |
| 1 | 1810 | 2.500-10 | 3.750 | 5.875 | EY 6.5-4-3551-1X■ |
| 1 | 1810 | 2.500-10 | 3.750 | 5.875 | EY 6.5-4-3551X■ |
| 1 | 1860 | 2.500-10 | 3.750 | 5.875 | EY 6.5-4-3451■ |
| 1 | 1860 | 2.500-10 | 3.750 | 5.875 | EY 6.5-4-3451-1■ |

RT-910

| | | | | | |
|---|--------|----------|-------|-------|-------------------|
| 1 | 1710 | 2.500-10 | 3.750 | 3.625 | CF 6-1-5541 |
| 1 | 1710 | 2.500-10 | 3.750 | 3.625 | CF 6-1-5651X |
| 1 | 1810 | 2.500-10 | 3.750 | 3.625 | CF 6.5-1-2271 |
| 1 | 1810 | 2.500-10 | 3.750 | 3.625 | CF 6.5-1-2351X |
| 1 | SPL140 | 2.500-10 | 3.750 | 5.960 | EY 140-4-41-1 |
| 1 | SPL140 | 2.500-10 | 3.750 | 5.960 | EY 140-4-51-1X |
| 1 | SPL170 | 2.500-10 | 3.750 | 5.750 | EY 170-4-471-1■ |
| 1 | SPL170 | 2.500-10 | 3.750 | 5.750 | EY 170-4-481-1X■ |
| 1 | SPL250 | 2.500-10 | 3.750 | 6.062 | EY 250-4-191-1■ |
| 1 | SPL250 | 2.500-10 | 3.750 | 6.062 | EY 250-4-201-1X■ |
| 1 | 1710 | 2.500-10 | 3.750 | 5.625 | EY 6-4-6611■ |
| 1 | 1710 | 2.500-10 | 3.750 | 5.625 | EY 6-4-6611-1■ |
| 1 | 1710 | 2.500-10 | 3.750 | 5.625 | EY 6-4-6921-1X■ |
| 1 | 1710 | 2.500-10 | 3.750 | 5.625 | EY 6-4-6921X■ |
| 1 | 1760 | 2.500-10 | 3.750 | 6.000 | EY 6.3-4-651■ |
| 1 | 1760 | 2.500-10 | 3.750 | 6.031 | EY 6.3-4-651-1■ |
| 1 | 1760 | 2.500-10 | 3.750 | 6.031 | EY 6.3-4-781-1X■ |
| 1 | 1760 | 2.500-10 | 3.750 | 6.000 | EY 6.3-4-781X■ |
| 1 | 1810 | 2.500-10 | 3.750 | 5.875 | EY 6.5-4-3451■ |
| 1 | 1810 | 2.500-10 | 3.750 | 5.875 | EY 6.5-4-3451-1■ |
| 1 | 1810 | 2.500-10 | 3.750 | 5.875 | EY 6.5-4-3551-1X■ |
| 1 | 1810 | 2.500-10 | 3.750 | 5.875 | EY 6.5-4-3551X■ |

RT-912

| | | | | | |
|---|------|----------|-------|-------|----------------|
| 1 | 1810 | 2.750-10 | 3.750 | 4.062 | CF 6.5-1-2361X |
| 1 | 1710 | 2.750-10 | 3.750 | 5.750 | EY 6-4-6821 |

*C/L to End of Hub for EY (End Yoke); Flange Face to End of Hub for CF (Companion Flange)

■ Hub machined for speedometer gear



| Pos | Series | Spline Data | Hub Dia | * to End of Hub | End Fitting Part Number |
|---------------------------|--------|-------------|---------|-----------------|-------------------------|
| RT-912 (Continued) | | | | | |
| 1 | 1710 | 2.750-10 | 3.750 | 5.750 | EY 6-4-6821-1 |
| 1 | 1710 | 2.750-10 | 3.750 | 5.750 | EY 6-4-6931-1X |
| 1 | 1710 | 2.750-10 | 3.750 | 5.750 | EY 6-4-6931X |
| 1 | 1760 | 2.750-10 | 3.750 | 5.969 | EY 6.3-4-711 |
| 1 | 1760 | 2.750-10 | 3.750 | 5.969 | EY 6.3-4-711-1 |
| 1 | 1760 | 2.750-10 | 3.750 | 5.969 | EY 6.3-4-791-1X |
| 1 | 1760 | 2.750-10 | 3.750 | 5.969 | EY 6.3-4-791X |
| 1 | 1810 | 2.750-10 | 3.750 | 6.062 | EY 6.5-4-3491 |
| 1 | 1810 | 2.750-10 | 3.750 | 6.062 | EY 6.5-4-3491-1 |
| 1 | 1810 | 2.750-10 | 3.750 | 6.062 | EY 6.5-4-3561-1X |
| 1 | 1810 | 2.750-10 | 3.750 | 6.062 | EY 6.5-4-3561X |

| | | | | | |
|-----------------------|--------|----------|-------|-------|-------------------|
| RT-913, RT-915 | | | | | |
| 1 | 1710 | 2.500-10 | 3.750 | 3.625 | CF 6-1-5541 |
| 1 | 1710 | 2.500-10 | 3.750 | 3.625 | CF 6-1-5651X |
| 1 | 1810 | 2.500-10 | 3.750 | 3.625 | CF 6.5-1-2271 |
| 1 | 1810 | 2.500-10 | 3.750 | 3.625 | CF 6.5-1-2351X |
| 1 | SPL140 | 2.500-10 | 3.750 | 5.960 | EY 140-4-41-1 |
| 1 | SPL140 | 2.500-10 | 3.750 | 5.960 | EY 140-4-51-1X |
| 1 | SPL170 | 2.500-10 | 3.750 | 5.750 | EY 170-4-471-1■ |
| 1 | SPL170 | 2.500-10 | 3.750 | 5.750 | EY 170-4-481-1X■ |
| 1 | SPL250 | 2.500-10 | 3.750 | 6.062 | EY 250-4-191-1■ |
| 1 | SPL250 | 2.500-10 | 3.750 | 6.062 | EY 250-4-201-1X■ |
| 1 | 1710 | 2.500-10 | 3.750 | 5.625 | EY 6-4-6611■ |
| 1 | 1710 | 2.500-10 | 3.750 | 5.625 | EY 6-4-6611-1■ |
| 1 | 1710 | 2.500-10 | 3.750 | 5.625 | EY 6-4-6921-1X■ |
| 1 | 1710 | 2.500-10 | 3.750 | 5.625 | EY 6-4-6921X■ |
| 1 | 1760 | 2.500-10 | 3.750 | 6.000 | EY 6.3-4-651■ |
| 1 | 1760 | 2.500-10 | 3.750 | 6.031 | EY 6.3-4-651-1■ |
| 1 | 1760 | 2.500-10 | 3.750 | 6.031 | EY 6.3-4-781-1X■ |
| 1 | 1760 | 2.500-10 | 3.750 | 6.000 | EY 6.3-4-781X■ |
| 1 | 1810 | 2.500-10 | 3.750 | 5.875 | EY 6.5-4-3451■ |
| 1 | 1810 | 2.500-10 | 3.750 | 5.875 | EY 6.5-4-3451-1■ |
| 1 | 1810 | 2.500-10 | 3.750 | 5.875 | EY 6.5-4-3551-1X■ |
| 1 | 1810 | 2.500-10 | 3.750 | 5.875 | EY 6.5-4-3551X■ |

| | | | | | |
|-----------------|--------|----------|-------|-------|-------------------|
| RT-958LL | | | | | |
| 1 | 1710 | 2.500-10 | 3.750 | 3.625 | CF 6-1-5541 |
| 1 | 1710 | 2.500-10 | 3.750 | 3.625 | CF 6-1-5651X |
| 1 | 1810 | 2.500-10 | 3.750 | 3.625 | CF 6.5-1-2271 |
| 1 | 1810 | 2.500-10 | 3.750 | 3.625 | CF 6.5-1-2351X |
| 1 | SPL140 | 2.500-10 | 3.750 | 5.960 | EY 140-4-41-1 |
| 1 | SPL140 | 2.500-10 | 3.750 | 5.960 | EY 140-4-51-1X |
| 1 | SPL170 | 2.500-10 | 3.750 | 5.750 | EY 170-4-471-1■ |
| 1 | SPL170 | 2.500-10 | 3.750 | 5.750 | EY 170-4-481-1X■ |
| 1 | SPL250 | 2.500-10 | 3.750 | 6.062 | EY 250-4-191-1■ |
| 1 | SPL250 | 2.500-10 | 3.750 | 6.062 | EY 250-4-201-1X■ |
| 1 | 1610 | 2.500-10 | 3.750 | 6.125 | EY 5-4-4971■ |
| 1 | 1710 | 2.500-10 | 3.750 | 5.625 | EY 6-4-6611■ |
| 1 | 1710 | 2.500-10 | 3.750 | 5.625 | EY 6-4-6611-1■ |
| 1 | 1710 | 2.500-10 | 3.750 | 5.625 | EY 6-4-6921-1X■ |
| 1 | 1710 | 2.500-10 | 3.750 | 5.625 | EY 6-4-6921X■ |
| 1 | 1760 | 2.500-10 | 3.750 | 6.000 | EY 6.3-4-651■ |
| 1 | 1760 | 2.500-10 | 3.750 | 6.031 | EY 6.3-4-651-1■ |
| 1 | 1760 | 2.500-10 | 3.750 | 6.031 | EY 6.3-4-781-1X■ |
| 1 | 1760 | 2.500-10 | 3.750 | 6.000 | EY 6.3-4-781X■ |
| 1 | 1810 | 2.500-10 | 3.750 | 5.875 | EY 6.5-4-3451■ |
| 1 | 1810 | 2.500-10 | 3.750 | 5.875 | EY 6.5-4-3451-1■ |
| 1 | 1810 | 2.500-10 | 3.750 | 5.875 | EY 6.5-4-3551-1X■ |
| 1 | 1810 | 2.500-10 | 3.750 | 5.875 | EY 6.5-4-3551X■ |

| Pos | Series | Spline Data | Hub Dia | * to End of Hub | End Fitting Part Number |
|----------------|--------|-------------|---------|-----------------|-------------------------|
| RT-1110 | | | | | |
| 1 | 1710 | 2.500-10 | 3.750 | 3.625 | CF 6-1-5541 |
| 1 | 1710 | 2.500-10 | 3.750 | 3.625 | CF 6-1-5651X |
| 1 | 1810 | 2.500-10 | 3.750 | 3.625 | CF 6.5-1-2271 |
| 1 | 1810 | 2.500-10 | 3.750 | 3.625 | CF 6.5-1-2351X |
| 1 | SPL140 | 2.500-10 | 3.750 | 5.960 | EY 140-4-41-1 |
| 1 | SPL140 | 2.500-10 | 3.750 | 5.960 | EY 140-4-51-1X |
| 1 | SPL170 | 2.500-10 | 3.750 | 5.750 | EY 170-4-471-1■ |
| 1 | SPL170 | 2.500-10 | 3.750 | 5.750 | EY 170-4-481-1X■ |
| 1 | SPL250 | 2.500-10 | 3.750 | 6.062 | EY 250-4-191-1■ |
| 1 | SPL250 | 2.500-10 | 3.750 | 6.062 | EY 250-4-201-1X■ |
| 1 | 1710 | 2.500-10 | 3.750 | 5.625 | EY 6-4-6611■ |
| 1 | 1710 | 2.500-10 | 3.750 | 5.625 | EY 6-4-6611-1■ |
| 1 | 1710 | 2.500-10 | 3.750 | 5.625 | EY 6-4-6921-1X■ |
| 1 | 1710 | 2.500-10 | 3.750 | 5.625 | EY 6-4-6921X■ |
| 1 | 1760 | 2.500-10 | 3.750 | 6.000 | EY 6.3-4-651■ |
| 1 | 1760 | 2.500-10 | 3.750 | 6.031 | EY 6.3-4-651-1■ |
| 1 | 1760 | 2.500-10 | 3.750 | 6.031 | EY 6.3-4-781-1X■ |
| 1 | 1760 | 2.500-10 | 3.750 | 6.000 | EY 6.3-4-781X■ |
| 1 | 1810 | 2.500-10 | 3.750 | 5.875 | EY 6.5-4-3451■ |
| 1 | 1810 | 2.500-10 | 3.750 | 5.875 | EY 6.5-4-3451-1■ |
| 1 | 1810 | 2.500-10 | 3.750 | 5.875 | EY 6.5-4-3551-1X■ |
| 1 | 1810 | 2.500-10 | 3.750 | 5.875 | EY 6.5-4-3551X■ |

| | | | | | |
|-------------------------|--------|----------|-------|-------|------------------|
| RT-1213, RT-2008 | | | | | |
| 1 | 1810 | 2.750-10 | 3.750 | 4.062 | CF 6.5-1-2311 |
| 1 | 1810 | 2.750-10 | 3.750 | 4.062 | CF 6.5-1-2361X |
| 1 | SPL140 | 2.750-10 | 3.750 | 6.570 | EY 140-4-81-1 |
| 1 | SPL140 | 2.750-10 | 3.750 | 6.570 | EY 140-4-91-1X |
| 1 | SPL170 | 2.750-10 | 3.750 | 5.850 | EY 170-4-511-1 |
| 1 | SPL170 | 2.750-10 | 3.750 | 5.850 | EY 170-4-521-1X |
| 1 | SPL250 | 2.750-10 | 3.750 | 6.297 | EY 250-4-231-1 |
| 1 | SPL250 | 2.750-10 | 3.750 | 6.297 | EY 250-4-241-1X |
| 1 | 1710 | 2.750-10 | 3.750 | 5.750 | EY 6-4-6821 |
| 1 | 1710 | 2.750-10 | 3.750 | 5.750 | EY 6-4-6821-1 |
| 1 | 1710 | 2.750-10 | 3.750 | 5.750 | EY 6-4-6931-1X |
| 1 | 1710 | 2.750-10 | 3.750 | 5.750 | EY 6-4-6931X |
| 1 | 1760 | 2.750-10 | 3.750 | 5.969 | EY 6.3-4-711 |
| 1 | 1760 | 2.750-10 | 3.750 | 5.969 | EY 6.3-4-711-1 |
| 1 | 1760 | 2.750-10 | 3.750 | 5.969 | EY 6.3-4-791-1X |
| 1 | 1760 | 2.750-10 | 3.750 | 5.969 | EY 6.3-4-791X |
| 1 | 1810 | 2.750-10 | 3.750 | 6.062 | EY 6.5-4-3491 |
| 1 | 1810 | 2.750-10 | 3.750 | 6.062 | EY 6.5-4-3491-1 |
| 1 | 1810 | 2.750-10 | 3.750 | 6.062 | EY 6.5-4-3561-1X |
| 1 | 1810 | 2.750-10 | 3.750 | 6.062 | EY 6.5-4-3561X |

| | | | | | |
|----------------|--------|----------|-------|-------|------------------|
| RT-6609 | | | | | |
| 1 | 1610 | 2.250-10 | 3.500 | 3.625 | CF 5-1-6331 |
| 1 | 1810 | 2.250-10 | 3.500 | 3.688 | CF 6.5-1-151 |
| 1 | SPL140 | 2.250-10 | 3.500 | 6.000 | EY 140-4-1091-1 |
| 1 | SPL140 | 2.250-10 | 3.500 | 6.000 | EY 140-4-1101-1X |
| 1 | SPL170 | 2.250-10 | 3.500 | 5.750 | EY 170-4-451-1 |
| 1 | SPL170 | 2.250-10 | 3.500 | 5.750 | EY 170-4-461-1X |
| 1 | SPL90 | 2.250-10 | 3.500 | 5.219 | EY 90-4-151-1X |
| 1 | SPL90 | 2.250-10 | 3.750 | 5.219 | EY 90-4-161-1 |
| 1 | SPL90 | 2.250-10 | 3.750 | 5.219 | EY 90-4-171-1X |
| 1 | SPL90 | 2.250-10 | 3.500 | 5.219 | EY 90-4-401-1 |
| 1 | 1550 | 2.250-10 | 3.500 | 5.125 | EY 4-4-3501-1 |
| 1 | 1610 | 2.250-10 | 3.500 | 5.750 | EY 5-4-4961 |

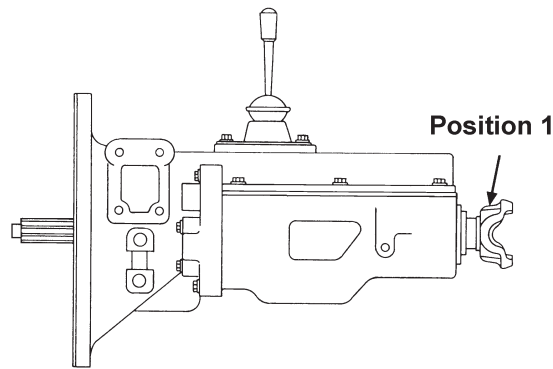
Continued on next page

*C/L to End of Hub for EY (End Yoke); Flange Face to End of Hub for CF (Companion Flange)

■ Hub machined for speedometer gear



Important: See Safety Information in General Information Section (J300P-GI)



| Pos | Series | Spline Data | Hub Dia | * to End of Hub | End Fitting Part Number |
|-----|--------|-------------|---------|-----------------|-------------------------|
|-----|--------|-------------|---------|-----------------|-------------------------|

RT-6609 (Continued)

| | | | | | |
|---|------|----------|-------|-------|------------------|
| 1 | 1610 | 2.250-10 | 3.500 | 5.750 | EY 5-4-4961-1 |
| 1 | 1610 | 2.250-10 | 3.750 | 5.750 | EY 5-4-7381-1 |
| 1 | 1610 | 2.250-10 | 3.750 | 5.750 | EY 5-4-7391-1X |
| 1 | 1710 | 2.250-10 | 3.500 | 5.250 | EY 6-4-6861 |
| 1 | 1710 | 2.250-10 | 3.500 | 5.250 | EY 6-4-6861-1 |
| 1 | 1710 | 2.250-10 | 3.500 | 5.250 | EY 6-4-6901-1X |
| 1 | 1710 | 2.250-10 | 3.750 | 5.250 | EY 6-4-7371-1 |
| 1 | 1710 | 2.250-10 | 3.750 | 5.250 | EY 6-4-7381-1X |
| 1 | 1760 | 2.250-10 | 3.750 | 5.625 | EY 6.3-4-1091-1 |
| 1 | 1760 | 2.250-10 | 3.750 | 5.625 | EY 6.3-4-1101-1X |
| 1 | 1810 | 2.250-10 | 3.500 | 5.844 | EY 6.5-4-2021 |

RT-6610

| | | | | | |
|---|--------|----------|-------|-------|------------------|
| 1 | 1610 | 2.250-10 | 3.500 | 3.625 | CF 5-1-6331 |
| 1 | 1810 | 2.250-10 | 3.500 | 3.688 | CF 6.5-1-151 |
| 1 | SPL140 | 2.250-10 | 3.500 | 6.000 | EY 140-4-1091-1 |
| 1 | SPL140 | 2.250-10 | 3.500 | 6.000 | EY 140-4-1101-1X |
| 1 | SPL170 | 2.250-10 | 3.500 | 5.750 | EY 170-4-451-1 |
| 1 | SPL170 | 2.250-10 | 3.500 | 5.750 | EY 170-4-461-1X |
| 1 | SPL90 | 2.250-10 | 3.500 | 5.219 | EY 90-4-151-1X |
| 1 | SPL90 | 2.250-10 | 3.750 | 5.219 | EY 90-4-161-1 |
| 1 | SPL90 | 2.250-10 | 3.750 | 5.219 | EY 90-4-171-1X |
| 1 | SPL90 | 2.250-10 | 3.500 | 5.219 | EY 90-4-401-1 |
| 1 | 1550 | 2.250-10 | 3.500 | 5.125 | EY 4-4-3501-1 |
| 1 | 1610 | 2.250-10 | 3.500 | 5.750 | EY 5-4-4961 |
| 1 | 1610 | 2.250-10 | 3.500 | 5.750 | EY 5-4-4961-1 |
| 1 | 1610 | 2.250-10 | 3.750 | 5.750 | EY 5-4-7381-1 |
| 1 | 1610 | 2.250-10 | 3.750 | 5.750 | EY 5-4-7391-1X |
| 1 | 1710 | 2.250-10 | 3.500 | 5.250 | EY 6-4-6861 |
| 1 | 1710 | 2.250-10 | 3.500 | 5.250 | EY 6-4-6861-1 |
| 1 | 1710 | 2.250-10 | 3.500 | 5.250 | EY 6-4-6901-1X |
| 1 | 1710 | 2.250-10 | 3.750 | 5.250 | EY 6-4-7371-1 |
| 1 | 1710 | 2.250-10 | 3.750 | 5.250 | EY 6-4-7381-1X |
| 1 | 1760 | 2.250-10 | 3.750 | 5.625 | EY 6.3-4-1091-1 |
| 1 | 1760 | 2.250-10 | 3.750 | 5.625 | EY 6.3-4-1101-1X |
| 1 | 1760 | 2.250-10 | 3.500 | 5.656 | EY 6.3-4-701-1 |
| 1 | 1810 | 2.250-10 | 3.500 | 5.844 | EY 6.5-4-2021 |

RT-6613

| | | | | | |
|---|--------|----------|-------|-------|------------------|
| 1 | 1710 | 2.500-10 | 3.750 | 3.625 | CF 6-1-5541 |
| 1 | 1710 | 2.500-10 | 3.750 | 3.625 | CF 6-1-5651X |
| 1 | 1810 | 2.500-10 | 3.750 | 3.625 | CF 6.5-1-2271 |
| 1 | 1810 | 2.500-10 | 3.750 | 3.625 | CF 6.5-1-2351X |
| 1 | SPL140 | 2.500-10 | 3.750 | 5.960 | EY 140-4-1111-1 |
| 1 | SPL140 | 2.500-10 | 3.750 | 5.960 | EY 140-4-1121-1X |

| Pos | Series | Spline Data | Hub Dia | * to End of Hub | End Fitting Part Number |
|-----|--------|-------------|---------|-----------------|-------------------------|
|-----|--------|-------------|---------|-----------------|-------------------------|

RT-6613 (Continued)

| | | | | | |
|---|--------|----------|-------|-------|-------------------|
| 1 | SPL140 | 2.500-10 | 3.750 | 5.960 | EY 140-4-41-1 |
| 1 | SPL140 | 2.500-10 | 3.750 | 5.960 | EY 140-4-51-1X |
| 1 | SPL170 | 2.500-10 | 3.750 | 5.750 | EY 170-4-471-1■ |
| 1 | SPL170 | 2.500-10 | 3.750 | 5.750 | EY 170-4-481-1X■ |
| 1 | SPL250 | 2.500-10 | 3.750 | 6.062 | EY 250-4-191-1■ |
| 1 | SPL250 | 2.500-10 | 3.750 | 6.062 | EY 250-4-201-1X■ |
| 1 | 1710 | 2.500-10 | 3.750 | 5.625 | EY 6-4-6611■ |
| 1 | 1710 | 2.500-10 | 3.750 | 5.625 | EY 6-4-6611-1■ |
| 1 | 1710 | 2.500-10 | 3.750 | 5.625 | EY 6-4-6921-1X■ |
| 1 | 1710 | 2.500-10 | 3.750 | 5.625 | EY 6-4-6921X■ |
| 1 | 1760 | 2.500-10 | 3.750 | 6.000 | EY 6.3-4-651■ |
| 1 | 1760 | 2.500-10 | 3.750 | 6.031 | EY 6.3-4-651-1■ |
| 1 | 1760 | 2.500-10 | 3.750 | 6.031 | EY 6.3-4-781-1X■ |
| 1 | 1760 | 2.500-10 | 3.750 | 6.000 | EY 6.3-4-781X■ |
| 1 | 1810 | 2.500-10 | 3.750 | 5.875 | EY 6.5-4-3451■ |
| 1 | 1810 | 2.500-10 | 3.750 | 5.875 | EY 6.5-4-3451-1■ |
| 1 | 1810 | 2.500-10 | 3.750 | 5.875 | EY 6.5-4-3551-1X■ |
| 1 | 1810 | 2.500-10 | 3.750 | 5.875 | EY 6.5-4-3551X■ |

RT-7608LL, RT-8608LL

| | | | | | |
|---|--------|----------|-------|-------|-------------------|
| 1 | 1710 | 2.500-10 | 3.750 | 3.625 | CF 6-1-5541 |
| 1 | 1710 | 2.500-10 | 3.750 | 3.625 | CF 6-1-5651X |
| 1 | 1810 | 2.500-10 | 3.750 | 3.625 | CF 6.5-1-2271 |
| 1 | 1810 | 2.500-10 | 3.750 | 3.625 | CF 6.5-1-2351X |
| 1 | SPL140 | 2.500-10 | 3.750 | 5.960 | EY 140-4-41-1 |
| 1 | SPL140 | 2.500-10 | 3.750 | 5.960 | EY 140-4-51-1X |
| 1 | SPL170 | 2.500-10 | 3.750 | 5.750 | EY 170-4-471-1■ |
| 1 | SPL170 | 2.500-10 | 3.750 | 5.750 | EY 170-4-481-1X■ |
| 1 | SPL250 | 2.500-10 | 3.750 | 6.062 | EY 250-4-191-1■ |
| 1 | SPL250 | 2.500-10 | 3.750 | 6.062 | EY 250-4-201-1X■ |
| 1 | 1710 | 2.500-10 | 3.750 | 5.625 | EY 6-4-6611■ |
| 1 | 1710 | 2.500-10 | 3.750 | 5.625 | EY 6-4-6611-1■ |
| 1 | 1710 | 2.500-10 | 3.750 | 5.625 | EY 6-4-6921-1X■ |
| 1 | 1710 | 2.500-10 | 3.750 | 5.625 | EY 6-4-6921X■ |
| 1 | 1760 | 2.500-10 | 3.750 | 6.000 | EY 6.3-4-651■ |
| 1 | 1760 | 2.500-10 | 3.750 | 6.031 | EY 6.3-4-651-1■ |
| 1 | 1760 | 2.500-10 | 3.750 | 6.031 | EY 6.3-4-781-1X■ |
| 1 | 1760 | 2.500-10 | 3.750 | 6.000 | EY 6.3-4-781X■ |
| 1 | 1810 | 2.500-10 | 3.750 | 5.875 | EY 6.5-4-3451■ |
| 1 | 1810 | 2.500-10 | 3.750 | 5.875 | EY 6.5-4-3451-1■ |
| 1 | 1810 | 2.500-10 | 3.750 | 5.875 | EY 6.5-4-3551-1X■ |
| 1 | 1810 | 2.500-10 | 3.750 | 5.875 | EY 6.5-4-3551X■ |

*C/L to End of Hub for EY (End Yoke); Flange Face to End of Hub for CF (Companion Flange)

■ Hub machined for speedometer gear



| Pos | Series | Spline Data | Hub Dia | * to End of Hub | End Fitting Part Number |
|----------------|--------|-------------|---------|-----------------|-------------------------|
| RT-8609 | | | | | |
| 1 | 1610 | 2.250-10 | 3.500 | 3.625 | CF 5-1-6331 |
| 1 | 1810 | 2.250-10 | 3.500 | 3.688 | CF 6.5-1-151 |
| 1 | SPL170 | 2.250-10 | 3.500 | 5.750 | EY 170-4-451-1 |
| 1 | SPL170 | 2.250-10 | 3.500 | 5.750 | EY 170-4-461-1X |
| 1 | SPL90 | 2.250-10 | 3.500 | 5.219 | EY 90-4-151-1X |
| 1 | SPL90 | 2.250-10 | 3.750 | 5.219 | EY 90-4-161-1 |
| 1 | SPL90 | 2.250-10 | 3.750 | 5.219 | EY 90-4-171-1X |
| 1 | SPL90 | 2.250-10 | 3.500 | 5.219 | EY 90-4-401-1 |
| 1 | 1550 | 2.250-10 | 3.500 | 5.125 | EY 4-4-3501-1 |
| 1 | 1610 | 2.250-10 | 3.500 | 5.750 | EY 5-4-4961 |
| 1 | 1610 | 2.250-10 | 3.500 | 5.750 | EY 5-4-4961-1 |
| 1 | 1610 | 2.250-10 | 3.750 | 5.750 | EY 5-4-7381-1 |
| 1 | 1610 | 2.250-10 | 3.750 | 5.750 | EY 5-4-7391-1X |
| 1 | 1710 | 2.250-10 | 3.500 | 5.250 | EY 6-4-6861 |
| 1 | 1710 | 2.250-10 | 3.500 | 5.250 | EY 6-4-6861-1 |
| 1 | 1710 | 2.250-10 | 3.500 | 5.250 | EY 6-4-6901-1X |
| 1 | 1710 | 2.250-10 | 3.750 | 5.250 | EY 6-4-7371-1 |
| 1 | 1710 | 2.250-10 | 3.750 | 5.250 | EY 6-4-7381-1X |
| 1 | 1760 | 2.250-10 | 3.750 | 5.625 | EY 6.3-4-1091-1 |
| 1 | 1760 | 2.250-10 | 3.750 | 5.625 | EY 6.3-4-1101-1X |
| 1 | 1760 | 2.250-10 | 3.500 | 5.656 | EY 6.3-4-701-1 |
| 1 | 1810 | 2.250-10 | 3.500 | 5.844 | EY 6.5-4-2021 |

| | | | | | |
|----------------|--------|----------|-------|-------|-------------------|
| RT-8709 | | | | | |
| 1 | 1710 | 2.500-10 | 3.750 | 3.625 | CF 6-1-5541 |
| 1 | 1710 | 2.500-10 | 3.750 | 3.625 | CF 6-1-5651X |
| 1 | 1810 | 2.500-10 | 3.750 | 3.625 | CF 6.5-1-2271 |
| 1 | 1810 | 2.500-10 | 3.750 | 3.625 | CF 6.5-1-2351X |
| 1 | SPL140 | 2.500-10 | 3.750 | 5.960 | EY 140-4-41-1 |
| 1 | SPL140 | 2.500-10 | 3.750 | 5.960 | EY 140-4-51-1X |
| 1 | SPL170 | 2.500-10 | 3.750 | 5.750 | EY 170-4-471-1■ |
| 1 | SPL170 | 2.500-10 | 3.750 | 5.750 | EY 170-4-481-1X■ |
| 1 | SPL250 | 2.500-10 | 3.750 | 6.062 | EY 250-4-191-1■ |
| 1 | SPL250 | 2.500-10 | 3.750 | 6.062 | EY 250-4-201-1X■ |
| 1 | 1710 | 2.500-10 | 3.750 | 5.625 | EY 6-4-6611■ |
| 1 | 1710 | 2.500-10 | 3.750 | 5.625 | EY 6-4-6611-1■ |
| 1 | 1710 | 2.500-10 | 3.750 | 5.625 | EY 6-4-6921-1X■ |
| 1 | 1710 | 2.500-10 | 3.750 | 5.625 | EY 6-4-6921X■ |
| 1 | 1760 | 2.500-10 | 3.750 | 6.000 | EY 6.3-4-651■ |
| 1 | 1760 | 2.500-10 | 3.750 | 6.031 | EY 6.3-4-651-1■ |
| 1 | 1760 | 2.500-10 | 3.750 | 6.031 | EY 6.3-4-781-1X■ |
| 1 | 1760 | 2.500-10 | 3.750 | 6.000 | EY 6.3-4-781X■ |
| 1 | 1810 | 2.500-10 | 3.750 | 5.875 | EY 6.5-4-3451■ |
| 1 | 1810 | 2.500-10 | 3.750 | 5.875 | EY 6.5-4-3451-1■ |
| 1 | 1810 | 2.500-10 | 3.750 | 5.875 | EY 6.5-4-3551-1X■ |
| 1 | 1810 | 2.500-10 | 3.750 | 5.875 | EY 6.5-4-3551X■ |

| | | | | | |
|----------------|------|----------|------|-------|--------------------------------|
| RT-8908 | | | | | |
| 1 | 1710 | 2.794-54 | .000 | 5.625 | EY 6-4-9231 |
| 1 | 1710 | 2.794-54 | .000 | 5.625 | EY 6-4-9231-1 |
| 1 | 1760 | 2.794-54 | .000 | 5.625 | EY 6.3-4-1681 |
| | | | | | <i>Hub diameter not ground</i> |
| 1 | 1760 | 2.794-54 | .000 | 5.625 | EY 6.3-4-1681-1 |
| | | | | | <i>Hub diameter not ground</i> |
| 1 | 1810 | 2.794-54 | .000 | 5.625 | EY 6.5-4-4631 |
| | | | | | <i>Hub diameter not ground</i> |
| 1 | 1810 | 2.794-54 | .000 | 5.625 | EY 6.5-4-4631-1 |
| | | | | | <i>Hub diameter not ground</i> |

| Pos | Series | Spline Data | Hub Dia | * to End of Hub | End Fitting Part Number |
|------------------|--------|-------------|---------|-----------------|--------------------------------|
| RT-8908LL | | | | | |
| 1 | 1810 | 2.794-54 | .000 | 5.625 | EY 6.5-4-4631 |
| | | | | | <i>Hub diameter not ground</i> |

| | | | | | |
|------------------|------|----------|------|-------|--------------------------------|
| RT-8909LL | | | | | |
| 1 | 1710 | 2.794-54 | .000 | 5.625 | EY 6-4-9231 |
| 1 | 1710 | 2.794-54 | .000 | 5.625 | EY 6-4-9231-1 |
| 1 | 1760 | 2.794-54 | .000 | 5.625 | EY 6.3-4-1681 |
| | | | | | <i>Hub diameter not ground</i> |
| 1 | 1760 | 2.794-54 | .000 | 5.625 | EY 6.3-4-1681-1 |
| | | | | | <i>Hub diameter not ground</i> |
| 1 | 1810 | 2.794-54 | .000 | 5.625 | EY 6.5-4-4631 |
| | | | | | <i>Hub diameter not ground</i> |
| 1 | 1810 | 2.794-54 | .000 | 5.625 | EY 6.5-4-4631-1 |
| | | | | | <i>Hub diameter not ground</i> |

| | | | | | |
|----------------|--------|----------|-------|-------|-------------------|
| RT-9109 | | | | | |
| 1 | 1710 | 2.500-10 | 3.750 | 3.625 | CF 6-1-5541 |
| 1 | 1710 | 2.500-10 | 3.750 | 3.625 | CF 6-1-5651X |
| 1 | 1810 | 2.500-10 | 3.750 | 3.625 | CF 6.5-1-2271 |
| 1 | 1810 | 2.500-10 | 3.750 | 3.625 | CF 6.5-1-2351X |
| 1 | SPL140 | 2.500-10 | 3.750 | 5.960 | EY 140-4-41-1 |
| 1 | SPL140 | 2.500-10 | 3.750 | 5.960 | EY 140-4-51-1X |
| 1 | SPL170 | 2.500-10 | 3.750 | 5.750 | EY 170-4-471-1■ |
| 1 | SPL170 | 2.500-10 | 3.750 | 5.750 | EY 170-4-481-1X■ |
| 1 | SPL250 | 2.500-10 | 3.750 | 6.062 | EY 250-4-191-1■ |
| 1 | SPL250 | 2.500-10 | 3.750 | 6.062 | EY 250-4-201-1X■ |
| 1 | 1710 | 2.500-10 | 3.750 | 5.625 | EY 6-4-6611■ |
| 1 | 1710 | 2.500-10 | 3.750 | 5.625 | EY 6-4-6611-1■ |
| 1 | 1710 | 2.500-10 | 3.750 | 5.625 | EY 6-4-6921-1X■ |
| 1 | 1710 | 2.500-10 | 3.750 | 5.625 | EY 6-4-6921X■ |
| 1 | 1760 | 2.500-10 | 3.750 | 6.000 | EY 6.3-4-651■ |
| 1 | 1760 | 2.500-10 | 3.750 | 6.031 | EY 6.3-4-651-1■ |
| 1 | 1760 | 2.500-10 | 3.750 | 6.031 | EY 6.3-4-781-1X■ |
| 1 | 1760 | 2.500-10 | 3.750 | 6.000 | EY 6.3-4-781X■ |
| 1 | 1810 | 2.500-10 | 3.750 | 5.875 | EY 6.5-4-3451■ |
| 1 | 1810 | 2.500-10 | 3.750 | 5.875 | EY 6.5-4-3451-1■ |
| 1 | 1810 | 2.500-10 | 3.750 | 5.875 | EY 6.5-4-3551-1X■ |
| 1 | 1810 | 2.500-10 | 3.750 | 5.875 | EY 6.5-4-3551X■ |

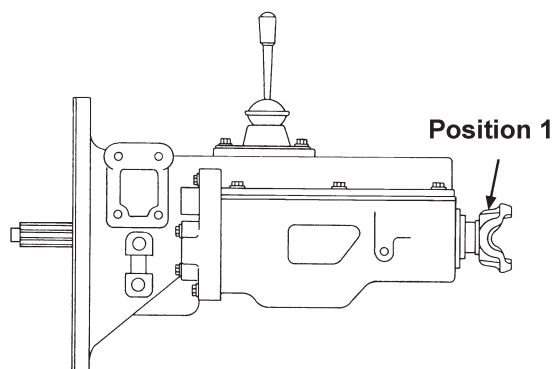
| | | | | | |
|----------------|-----------|----------|-------|-------|-------------------|
| RT-9508 | | | | | |
| 1 | 1650/1710 | 2.500-10 | 3.750 | 3.625 | CF 6-1-5541 |
| 1 | 1650/1710 | 2.500-10 | 3.750 | 3.625 | CF 6-1-5651X |
| 1 | 1810 | 2.500-10 | 3.750 | 3.625 | CF 6.5-1-2351X |
| 1 | SPL140 | 2.500-10 | 3.750 | 5.960 | EY 140-4-41-1 |
| 1 | SPL140 | 2.500-10 | 3.750 | 5.960 | EY 140-4-51-1X |
| 1 | SPL170 | 2.500-10 | 3.750 | 5.750 | EY 170-4-471-1■ |
| 1 | SPL170 | 2.500-10 | 3.750 | 5.750 | EY 170-4-481-1X■ |
| 1 | SPL250 | 2.500-10 | 3.750 | 6.062 | EY 250-4-191-1■ |
| 1 | SPL250 | 2.500-10 | 3.750 | 6.062 | EY 250-4-201-1X■ |
| 1 | 1710 | 2.500-10 | 3.750 | 5.625 | EY 6-4-6611■ |
| 1 | 1710 | 2.500-10 | 3.750 | 5.625 | EY 6-4-6611-1■ |
| 1 | 1710 | 2.500-10 | 3.750 | 5.625 | EY 6-4-6921-1X■ |
| 1 | 1710 | 2.500-10 | 3.750 | 5.625 | EY 6-4-6921X■ |
| 1 | 1760 | 2.500-10 | 3.750 | 6.000 | EY 6.3-4-651■ |
| 1 | 1760 | 2.500-10 | 3.750 | 6.031 | EY 6.3-4-651-1■ |
| 1 | 1760 | 2.500-10 | 3.750 | 6.031 | EY 6.3-4-781-1X■ |
| 1 | 1760 | 2.500-10 | 3.750 | 6.000 | EY 6.3-4-781X■ |
| 1 | 1810 | 2.500-10 | 3.750 | 5.875 | EY 6.5-4-3451■ |
| 1 | 1810 | 2.500-10 | 3.750 | 5.875 | EY 6.5-4-3451-1■ |
| 1 | 1810 | 2.500-10 | 3.750 | 5.875 | EY 6.5-4-3551-1X■ |
| 1 | 1810 | 2.500-10 | 3.750 | 5.875 | EY 6.5-4-3551X■ |

*C/L to End of Hub for EY (End Yoke); Flange Face to End of Hub for CF (Companion Flange)

■ Hub machined for speedometer gear



Important: See Safety Information in General Information Section (J300P-GI)



| Pos | Series | Spline Data | Hub Dia | * to End of Hub | End Fitting Part Number |
|-----|--------|-------------|---------|-----------------|-------------------------|
|-----|--------|-------------|---------|-----------------|-------------------------|

RT-9509A, RT-9509B, RT-9513

| | | | | | |
|---|--------|----------|-------|-------|-------------------|
| 1 | 1710 | 2.500-10 | 3.750 | 3.625 | CF 6-1-5541 |
| 1 | 1710 | 2.500-10 | 3.750 | 3.625 | CF 6-1-5651X |
| 1 | 1810 | 2.500-10 | 3.750 | 3.625 | CF 6.5-1-2271 |
| 1 | 1810 | 2.500-10 | 3.750 | 3.625 | CF 6.5-1-2351X |
| 1 | SPL140 | 2.500-10 | 3.750 | 5.960 | EY 140-4-41-1 |
| 1 | SPL140 | 2.500-10 | 3.750 | 5.960 | EY 140-4-51-1X |
| 1 | SPL170 | 2.500-10 | 3.750 | 5.750 | EY 170-4-471-1■ |
| 1 | SPL170 | 2.500-10 | 3.750 | 5.750 | EY 170-4-481-1X■ |
| 1 | SPL250 | 2.500-10 | 3.750 | 6.062 | EY 250-4-191-1■ |
| 1 | SPL250 | 2.500-10 | 3.750 | 6.062 | EY 250-4-201-1X■ |
| 1 | 1710 | 2.500-10 | 3.750 | 5.625 | EY 6-4-6611■ |
| 1 | 1710 | 2.500-10 | 3.750 | 5.625 | EY 6-4-6611-1■ |
| 1 | 1710 | 2.500-10 | 3.750 | 5.625 | EY 6-4-6921-1X■ |
| 1 | 1710 | 2.500-10 | 3.750 | 5.625 | EY 6-4-6921X■ |
| 1 | 1760 | 2.500-10 | 3.750 | 6.000 | EY 6.3-4-651■ |
| 1 | 1760 | 2.500-10 | 3.750 | 6.031 | EY 6.3-4-651-1■ |
| 1 | 1760 | 2.500-10 | 3.750 | 6.031 | EY 6.3-4-781-1X■ |
| 1 | 1760 | 2.500-10 | 3.750 | 6.000 | EY 6.3-4-781X■ |
| 1 | 1810 | 2.500-10 | 3.750 | 5.875 | EY 6.5-4-3451■ |
| 1 | 1810 | 2.500-10 | 3.750 | 5.875 | EY 6.5-4-3451-1■ |
| 1 | 1810 | 2.500-10 | 3.750 | 5.875 | EY 6.5-4-3551-1X■ |
| 1 | 1810 | 2.500-10 | 3.750 | 5.875 | EY 6.5-4-3551X■ |

RT-11109

| | | | | | |
|---|--------|----------|-------|-------|------------------|
| 1 | 1810 | 2.750-10 | 3.750 | 4.062 | CF 6.5-1-2311 |
| 1 | 1810 | 2.750-10 | 3.750 | 4.062 | CF 6.5-1-2361X |
| 1 | SPL140 | 2.750-10 | 3.750 | 6.570 | EY 140-4-81-1 |
| 1 | SPL140 | 2.750-10 | 3.750 | 6.570 | EY 140-4-91-1X |
| 1 | SPL170 | 2.750-10 | 3.750 | 5.850 | EY 170-4-521-1X |
| 1 | 1710 | 2.750-10 | 3.750 | 5.750 | EY 6-4-6821 |
| 1 | 1710 | 2.750-10 | 3.750 | 5.750 | EY 6-4-6821-1 |
| 1 | 1710 | 2.750-10 | 3.750 | 5.750 | EY 6-4-6931-1X |
| 1 | 1710 | 2.750-10 | 3.750 | 5.750 | EY 6-4-6931X |
| 1 | 1760 | 2.750-10 | 3.750 | 5.969 | EY 6.3-4-711 |
| 1 | 1760 | 2.750-10 | 3.750 | 5.969 | EY 6.3-4-711-1 |
| 1 | 1760 | 2.750-10 | 3.750 | 5.969 | EY 6.3-4-791-1X |
| 1 | 1760 | 2.750-10 | 3.750 | 5.969 | EY 6.3-4-791X |
| 1 | 1810 | 2.750-10 | 3.750 | 6.062 | EY 6.5-4-3491 |
| 1 | 1810 | 2.750-10 | 3.750 | 6.062 | EY 6.5-4-3491-1X |
| 1 | 1810 | 2.750-10 | 3.750 | 6.062 | EY 6.5-4-3561-1X |
| 1 | 1810 | 2.750-10 | 3.750 | 6.062 | EY 6.5-4-3561X |

RT-11509

| | | | | | |
|---|------|----------|-------|-------|--------------|
| 1 | 1710 | 2.500-10 | 3.750 | 3.625 | CF 6-1-5541 |
| 1 | 1710 | 2.500-10 | 3.750 | 3.625 | CF 6-1-5651X |

| Pos | Series | Spline Data | Hub Dia | * to End of Hub | End Fitting Part Number |
|-----|--------|-------------|---------|-----------------|-------------------------|
|-----|--------|-------------|---------|-----------------|-------------------------|

RT-11509 (Continued)

| | | | | | |
|---|--------|----------|-------|-------|-------------------|
| 1 | 1810 | 2.500-10 | 3.750 | 3.625 | CF 6.5-1-2271 |
| 1 | 1810 | 2.500-10 | 3.750 | 3.625 | CF 6.5-1-2351X |
| 1 | SPL140 | 2.500-10 | 3.750 | 5.960 | EY 140-4-41-1 |
| 1 | SPL140 | 2.500-10 | 3.750 | 5.960 | EY 140-4-51-1X |
| 1 | SPL170 | 2.500-10 | 3.750 | 5.750 | EY 170-4-471-1■ |
| 1 | SPL170 | 2.500-10 | 3.750 | 5.750 | EY 170-4-481-1X■ |
| 1 | SPL250 | 2.500-10 | 3.750 | 6.062 | EY 250-4-191-1■ |
| 1 | SPL250 | 2.500-10 | 3.750 | 6.062 | EY 250-4-201-1X■ |
| 1 | 1710 | 2.500-10 | 3.750 | 5.625 | EY 6-4-6611■ |
| 1 | 1710 | 2.500-10 | 3.750 | 5.625 | EY 6-4-6611-1■ |
| 1 | 1710 | 2.500-10 | 3.750 | 5.625 | EY 6-4-6921-1X■ |
| 1 | 1710 | 2.500-10 | 3.750 | 5.625 | EY 6-4-6921X■ |
| 1 | 1760 | 2.500-10 | 3.750 | 6.000 | EY 6.3-4-651■ |
| 1 | 1760 | 2.500-10 | 3.750 | 6.031 | EY 6.3-4-651-1■ |
| 1 | 1760 | 2.500-10 | 3.750 | 6.031 | EY 6.3-4-781-1X■ |
| 1 | 1760 | 2.500-10 | 3.750 | 6.000 | EY 6.3-4-781X■ |
| 1 | 1810 | 2.500-10 | 3.750 | 5.875 | EY 6.5-4-3451■ |
| 1 | 1810 | 2.500-10 | 3.750 | 5.875 | EY 6.5-4-3451-1■ |
| 1 | 1810 | 2.500-10 | 3.750 | 5.875 | EY 6.5-4-3551-1X■ |
| 1 | 1810 | 2.500-10 | 3.750 | 5.875 | EY 6.5-4-3551X■ |

RT-11608

| | | | | | |
|---|--------|----------|-------|-------|-------------------|
| 1 | 1710 | 2.500-10 | 3.750 | 3.625 | CF 6-1-5541 |
| 1 | 1710 | 2.500-10 | 3.750 | 3.625 | CF 6-1-5651X |
| 1 | 1810 | 2.500-10 | 3.750 | 3.625 | CF 6.5-1-2271 |
| 1 | 1810 | 2.500-10 | 3.750 | 3.625 | CF 6.5-1-2351X |
| 1 | SPL140 | 2.500-10 | 3.750 | 5.960 | EY 140-4-1111-1 |
| 1 | SPL140 | 2.500-10 | 3.750 | 5.960 | EY 140-4-1121-1X |
| 1 | SPL140 | 2.500-10 | 3.750 | 5.960 | EY 140-4-41-1 |
| 1 | SPL140 | 2.500-10 | 3.750 | 5.960 | EY 140-4-51-1X |
| 1 | SPL170 | 2.500-10 | 3.750 | 5.750 | EY 170-4-471-1■ |
| 1 | SPL170 | 2.500-10 | 3.750 | 5.750 | EY 170-4-481-1X■ |
| 1 | SPL250 | 2.500-10 | 3.750 | 6.062 | EY 250-4-191-1■ |
| 1 | SPL250 | 2.500-10 | 3.750 | 6.062 | EY 250-4-201-1X■ |
| 1 | 1710 | 2.500-10 | 3.750 | 5.625 | EY 6-4-6611■ |
| 1 | 1710 | 2.500-10 | 3.750 | 5.625 | EY 6-4-6611-1■ |
| 1 | 1710 | 2.500-10 | 3.750 | 5.625 | EY 6-4-6921-1X■ |
| 1 | 1710 | 2.500-10 | 3.750 | 5.625 | EY 6-4-6921X■ |
| 1 | 1760 | 2.500-10 | 3.750 | 6.000 | EY 6.3-4-651■ |
| 1 | 1760 | 2.500-10 | 3.750 | 6.031 | EY 6.3-4-651-1■ |
| 1 | 1760 | 2.500-10 | 3.750 | 6.031 | EY 6.3-4-781-1X■ |
| 1 | 1760 | 2.500-10 | 3.750 | 6.000 | EY 6.3-4-781X■ |
| 1 | 1810 | 2.500-10 | 3.750 | 5.875 | EY 6.5-4-3451■ |
| 1 | 1810 | 2.500-10 | 3.750 | 5.875 | EY 6.5-4-3451-1■ |
| 1 | 1810 | 2.500-10 | 3.750 | 5.875 | EY 6.5-4-3551-1X■ |
| 1 | 1810 | 2.500-10 | 3.750 | 5.875 | EY 6.5-4-3551X■ |

*C/L to End of Hub for EY (End Yoke); Flange Face to End of Hub for CF (Companion Flange)

■ Hub machined for speedometer gear



| Pos | Series | Spline Data | Hub Dia | * to End of Hub | End Fitting Part Number |
|----------------------------|--------|-------------|---------|-----------------|-------------------------|
| RT-11609, RT-11609A | | | | | |
| 1 | 1710 | 2.500-10 | 3.750 | 3.625 | CF 6-1-5541 |
| 1 | 1710 | 2.500-10 | 3.750 | 3.625 | CF 6-1-5651X |
| 1 | 1810 | 2.500-10 | 3.750 | 3.625 | CF 6.5-1-2271 |
| 1 | 1810 | 2.500-10 | 3.750 | 3.625 | CF 6.5-1-2351X |
| 1 | SPL140 | 2.500-10 | 3.750 | 5.960 | EY 140-4-41-1 |
| 1 | SPL140 | 2.500-10 | 3.750 | 5.960 | EY 140-4-51-1X |
| 1 | SPL170 | 2.500-10 | 3.750 | 5.750 | EY 170-4-471-1■ |
| 1 | SPL170 | 2.500-10 | 3.750 | 5.750 | EY 170-4-481-1X■ |
| 1 | SPL250 | 2.500-10 | 3.750 | 6.062 | EY 250-4-191-1■ |
| 1 | SPL250 | 2.500-10 | 3.750 | 6.062 | EY 250-4-201-1X■ |
| 1 | 1710 | 2.500-10 | 3.750 | 5.625 | EY 6-4-6611■ |
| 1 | 1710 | 2.500-10 | 3.750 | 5.625 | EY 6-4-6611-1■ |
| 1 | 1710 | 2.500-10 | 3.750 | 5.625 | EY 6-4-6921-1X■ |
| 1 | 1710 | 2.500-10 | 3.750 | 5.625 | EY 6-4-6921X■ |
| 1 | 1760 | 2.500-10 | 3.750 | 6.000 | EY 6.3-4-651■ |
| 1 | 1760 | 2.500-10 | 3.750 | 6.031 | EY 6.3-4-651-1■ |
| 1 | 1760 | 2.500-10 | 3.750 | 6.031 | EY 6.3-4-781-1X■ |
| 1 | 1760 | 2.500-10 | 3.750 | 6.000 | EY 6.3-4-781X■ |
| 1 | 1810 | 2.500-10 | 3.750 | 5.875 | EY 6.5-4-3451■ |
| 1 | 1810 | 2.500-10 | 3.750 | 5.875 | EY 6.5-4-3451-1■ |
| 1 | 1810 | 2.500-10 | 3.750 | 5.875 | EY 6.5-4-3551-1X■ |
| 1 | 1810 | 2.500-10 | 3.750 | 5.875 | EY 6.5-4-3551X■ |
| RT-11610, RT-11613 | | | | | |
| 1 | 1710 | 2.500-10 | 3.750 | 3.625 | CF 6-1-5541 |
| 1 | 1710 | 2.500-10 | 3.750 | 3.625 | CF 6-1-5651X |
| 1 | 1810 | 2.500-10 | 3.750 | 3.625 | CF 6.5-1-2271 |
| 1 | 1810 | 2.500-10 | 3.750 | 3.625 | CF 6.5-1-2351X |
| 1 | SPL140 | 2.500-10 | 3.750 | 5.960 | EY 140-4-1111-1 |
| 1 | SPL140 | 2.500-10 | 3.750 | 5.960 | EY 140-4-1121-1X |
| 1 | SPL140 | 2.500-10 | 3.750 | 5.960 | EY 140-4-41-1 |
| 1 | SPL140 | 2.500-10 | 3.750 | 5.960 | EY 140-4-51-1X |
| 1 | SPL170 | 2.500-10 | 3.750 | 5.750 | EY 170-4-471-1■ |
| 1 | SPL170 | 2.500-10 | 3.750 | 5.750 | EY 170-4-481-1X■ |
| 1 | SPL250 | 2.500-10 | 3.750 | 6.062 | EY 250-4-191-1■ |
| 1 | SPL250 | 2.500-10 | 3.750 | 6.062 | EY 250-4-201-1X■ |
| 1 | 1710 | 2.500-10 | 3.750 | 5.625 | EY 6-4-6611■ |
| 1 | 1710 | 2.500-10 | 3.750 | 5.625 | EY 6-4-6611-1■ |
| 1 | 1710 | 2.500-10 | 3.750 | 5.625 | EY 6-4-6921-1X■ |
| 1 | 1710 | 2.500-10 | 3.750 | 5.625 | EY 6-4-6921X■ |
| 1 | 1760 | 2.500-10 | 3.750 | 6.000 | EY 6.3-4-651■ |
| 1 | 1760 | 2.500-10 | 3.750 | 6.031 | EY 6.3-4-651-1■ |
| 1 | 1760 | 2.500-10 | 3.750 | 6.031 | EY 6.3-4-781-1X■ |
| 1 | 1760 | 2.500-10 | 3.750 | 6.000 | EY 6.3-4-781X■ |
| 1 | 1810 | 2.500-10 | 3.750 | 5.875 | EY 6.5-4-3451■ |
| 1 | 1810 | 2.500-10 | 3.750 | 5.875 | EY 6.5-4-3451-1■ |
| 1 | 1810 | 2.500-10 | 3.750 | 5.875 | EY 6.5-4-3551-1X■ |
| 1 | 1810 | 2.500-10 | 3.750 | 5.875 | EY 6.5-4-3551X■ |
| RT-11615 | | | | | |
| 1 | 1710 | 2.500-10 | 3.750 | 3.625 | CF 6-1-5541 |
| 1 | 1710 | 2.500-10 | 3.750 | 3.625 | CF 6-1-5651X |
| 1 | 1810 | 2.500-10 | 3.750 | 3.625 | CF 6.5-1-2271 |
| 1 | 1810 | 2.500-10 | 3.750 | 3.625 | CF 6.5-1-2351X |
| 1 | SPL140 | 2.500-10 | 3.750 | 5.960 | EY 140-4-41-1 |
| 1 | SPL140 | 2.500-10 | 3.750 | 5.960 | EY 140-4-51-1X |
| 1 | SPL170 | 2.500-10 | 3.750 | 5.750 | EY 170-4-471-1■ |
| 1 | SPL170 | 2.500-10 | 3.750 | 5.750 | EY 170-4-481-1X■ |
| 1 | SPL250 | 2.500-10 | 3.750 | 6.062 | EY 250-4-191-1■ |
| 1 | SPL250 | 2.500-10 | 3.750 | 6.062 | EY 250-4-201-1X■ |

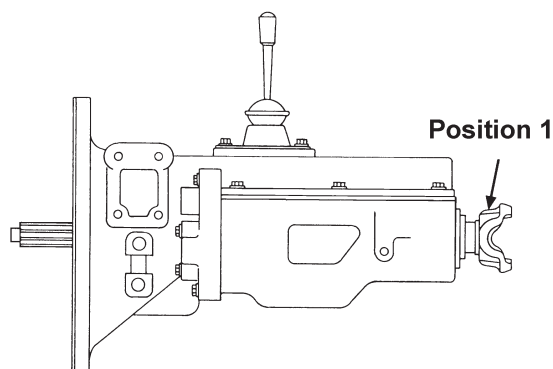
| Pos | Series | Spline Data | Hub Dia | * to End of Hub | End Fitting Part Number |
|-------------------------------------|--------|-------------|---------|-----------------|-------------------------|
| RT-11615 (Continued) | | | | | |
| 1 | 1710 | 2.500-10 | 3.750 | 5.625 | EY 6-4-6611■ |
| 1 | 1710 | 2.500-10 | 3.750 | 5.625 | EY 6-4-6611-1■ |
| 1 | 1710 | 2.500-10 | 3.750 | 5.625 | EY 6-4-6921-1X■ |
| 1 | 1710 | 2.500-10 | 3.750 | 5.625 | EY 6-4-6921X■ |
| 1 | 1760 | 2.500-10 | 3.750 | 6.000 | EY 6.3-4-651■ |
| 1 | 1760 | 2.500-10 | 3.750 | 6.031 | EY 6.3-4-651-1■ |
| 1 | 1760 | 2.500-10 | 3.750 | 6.031 | EY 6.3-4-781-1X■ |
| 1 | 1760 | 2.500-10 | 3.750 | 6.000 | EY 6.3-4-781X■ |
| 1 | 1810 | 2.500-10 | 3.750 | 5.875 | EY 6.5-4-3451■ |
| 1 | 1810 | 2.500-10 | 3.750 | 5.875 | EY 6.5-4-3451-1■ |
| 1 | 1810 | 2.500-10 | 3.750 | 5.875 | EY 6.5-4-3551-1X■ |
| 1 | 1810 | 2.500-10 | 3.750 | 5.875 | EY 6.5-4-3551X■ |
| RT-11618 | | | | | |
| 1 | 1710 | 2.500-10 | 3.750 | 3.625 | CF 6-1-5541 |
| 1 | 1710 | 2.500-10 | 3.750 | 3.625 | CF 6-1-5651X |
| 1 | 1810 | 2.500-10 | 3.750 | 3.625 | CF 6.5-1-2271 |
| 1 | 1810 | 2.500-10 | 3.750 | 3.625 | CF 6.5-1-2351X |
| 1 | SPL140 | 2.500-10 | 3.750 | 5.960 | EY 140-4-41-1 |
| 1 | SPL140 | 2.500-10 | 3.750 | 5.960 | EY 140-4-51-1X |
| 1 | SPL170 | 2.500-10 | 3.750 | 5.750 | EY 170-4-471-1■ |
| 1 | SPL170 | 2.500-10 | 3.750 | 5.750 | EY 170-4-481-1X■ |
| 1 | SPL250 | 2.500-10 | 3.750 | 6.062 | EY 250-4-191-1■ |
| 1 | SPL250 | 2.500-10 | 3.750 | 6.062 | EY 250-4-201-1X■ |
| 1 | 1610 | 2.500-10 | 3.750 | 6.125 | EY 5-4-4971■ |
| 1 | 1710 | 2.500-10 | 3.750 | 5.625 | EY 6-4-6611■ |
| 1 | 1710 | 2.500-10 | 3.750 | 5.625 | EY 6-4-6611-1■ |
| 1 | 1710 | 2.500-10 | 3.750 | 5.625 | EY 6-4-6921-1X■ |
| 1 | 1710 | 2.500-10 | 3.750 | 5.625 | EY 6-4-6921X■ |
| 1 | 1760 | 2.500-10 | 3.750 | 6.000 | EY 6.3-4-651■ |
| 1 | 1760 | 2.500-10 | 3.750 | 6.031 | EY 6.3-4-651-1■ |
| 1 | 1760 | 2.500-10 | 3.750 | 6.031 | EY 6.3-4-781-1X■ |
| 1 | 1760 | 2.500-10 | 3.750 | 6.000 | EY 6.3-4-781X■ |
| 1 | 1810 | 2.500-10 | 3.750 | 5.875 | EY 6.5-4-3451■ |
| 1 | 1810 | 2.500-10 | 3.750 | 5.875 | EY 6.5-4-3451-1■ |
| 1 | 1810 | 2.500-10 | 3.750 | 5.875 | EY 6.5-4-3551-1X■ |
| 1 | 1810 | 2.500-10 | 3.750 | 5.875 | EY 6.5-4-3551X■ |
| RT-11709, RT-11710, RT-11715 | | | | | |
| 1 | 1710 | 2.500-10 | 3.750 | 3.625 | CF 6-1-5541 |
| 1 | 1710 | 2.500-10 | 3.750 | 3.625 | CF 6-1-5651X |
| 1 | 1810 | 2.500-10 | 3.750 | 3.625 | CF 6.5-1-2271 |
| 1 | 1810 | 2.500-10 | 3.750 | 3.625 | CF 6.5-1-2351X |
| 1 | SPL140 | 2.500-10 | 3.750 | 5.960 | EY 140-4-1111-1 |
| 1 | SPL140 | 2.500-10 | 3.750 | 5.960 | EY 140-4-1121-1X |
| 1 | SPL140 | 2.500-10 | 3.750 | 5.960 | EY 140-4-41-1 |
| 1 | SPL140 | 2.500-10 | 3.750 | 5.960 | EY 140-4-51-1X |
| 1 | SPL170 | 2.500-10 | 3.750 | 5.750 | EY 170-4-471-1■ |
| 1 | SPL170 | 2.500-10 | 3.750 | 5.750 | EY 170-4-481-1X■ |
| 1 | SPL250 | 2.500-10 | 3.750 | 6.062 | EY 250-4-191-1■ |
| 1 | SPL250 | 2.500-10 | 3.750 | 6.062 | EY 250-4-201-1X■ |
| 1 | 1710 | 2.500-10 | 3.750 | 5.625 | EY 6-4-6611■ |
| 1 | 1710 | 2.500-10 | 3.750 | 5.625 | EY 6-4-6611-1■ |
| 1 | 1710 | 2.500-10 | 3.750 | 5.625 | EY 6-4-6921-1X■ |
| 1 | 1710 | 2.500-10 | 3.750 | 5.625 | EY 6-4-6921X■ |
| 1 | 1760 | 2.500-10 | 3.750 | 6.000 | EY 6.3-4-651■ |
| 1 | 1760 | 2.500-10 | 3.750 | 6.031 | EY 6.3-4-651-1■ |
| 1 | 1760 | 2.500-10 | 3.750 | 6.031 | EY 6.3-4-781-1X■ |
| 1 | 1760 | 2.500-10 | 3.750 | 6.000 | EY 6.3-4-781X■ |
| 1 | 1810 | 2.500-10 | 3.750 | 5.875 | EY 6.5-4-3451■ |
| 1 | 1810 | 2.500-10 | 3.750 | 5.875 | EY 6.5-4-3451-1■ |
| 1 | 1810 | 2.500-10 | 3.750 | 5.875 | EY 6.5-4-3551-1X■ |
| 1 | 1810 | 2.500-10 | 3.750 | 5.875 | EY 6.5-4-3551X■ |

*C/L to End of Hub for EY (End Yoke); Flange Face to End of Hub for CF (Companion Flange)

■ Hub machined for speedometer gear



Important: See Safety Information in General Information Section (J300P-GI)



| Pos | Series | Spline Data | Hub Dia | * to End of Hub | End Fitting Part Number |
|-------------------|--------|-------------|---------|-----------------|---|
| RT-11908LL | | | | | |
| 1 | 1710 | 2.794-54 | .000 | 5.625 | EY 6-4-9231 |
| 1 | 1710 | 2.794-54 | .000 | 5.625 | EY 6-4-9231-1 |
| 1 | 1760 | 2.794-54 | .000 | 5.625 | EY 6.3-4-1681 <i>Hub diameter not ground</i> |
| 1 | 1760 | 2.794-54 | .000 | 5.625 | EY 6.3-4-1681-1 <i>Hub diameter not ground</i> |
| 1 | 1810 | 2.794-54 | .000 | 5.625 | EY 6.5-4-4631 <i>Hub diameter not ground</i> |
| 1 | 1810 | 2.794-54 | .000 | 5.625 | EY 6.5-4-4631-1 <i>Hub diameter not ground</i> |

| | | | | | |
|-----------------|--------|----------|-------|-------|-------------------|
| RT-12109 | | | | | |
| 1 | 1710 | 2.500-10 | 3.750 | 3.625 | CF 6-1-5541 |
| 1 | 1710 | 2.500-10 | 3.750 | 3.625 | CF 6-1-5651X |
| 1 | 1810 | 2.500-10 | 3.750 | 3.625 | CF 6.5-1-2271 |
| 1 | 1810 | 2.500-10 | 3.750 | 3.625 | CF 6.5-1-2351X |
| 1 | SPL140 | 2.500-10 | 3.750 | 5.960 | EY 140-4-41-1 |
| 1 | SPL140 | 2.500-10 | 3.750 | 5.960 | EY 140-4-51-1X |
| 1 | SPL170 | 2.500-10 | 3.750 | 5.750 | EY 170-4-471-1■ |
| 1 | SPL170 | 2.500-10 | 3.750 | 5.750 | EY 170-4-481-1X■ |
| 1 | SPL250 | 2.500-10 | 3.750 | 6.062 | EY 250-4-191-1■ |
| 1 | SPL250 | 2.500-10 | 3.750 | 6.062 | EY 250-4-201-1X■ |
| 1 | 1710 | 2.500-10 | 3.750 | 5.625 | EY 6-4-6611■ |
| 1 | 1710 | 2.500-10 | 3.750 | 5.625 | EY 6-4-6611-1■ |
| 1 | 1710 | 2.500-10 | 3.750 | 5.625 | EY 6-4-6921-1X■ |
| 1 | 1710 | 2.500-10 | 3.750 | 5.625 | EY 6-4-6921X■ |
| 1 | 1760 | 2.500-10 | 3.750 | 6.000 | EY 6.3-4-651■ |
| 1 | 1760 | 2.500-10 | 3.750 | 6.031 | EY 6.3-4-651-1■ |
| 1 | 1760 | 2.500-10 | 3.750 | 6.031 | EY 6.3-4-781-1X■ |
| 1 | 1760 | 2.500-10 | 3.750 | 6.000 | EY 6.3-4-781X■ |
| 1 | 1810 | 2.500-10 | 3.750 | 5.875 | EY 6.5-4-3451■ |
| 1 | 1810 | 2.500-10 | 3.750 | 5.875 | EY 6.5-4-3451-1■ |
| 1 | 1810 | 2.500-10 | 3.750 | 5.875 | EY 6.5-4-3551-1X■ |
| 1 | 1810 | 2.500-10 | 3.750 | 5.875 | EY 6.5-4-3551X■ |

| | | | | | |
|--|--------|----------|-------|-------|-----------------|
| RT-12509, R, RT-12513, RT-12515 | | | | | |
| 1 | 1810 | 2.750-10 | 3.750 | 4.062 | CF 6.5-1-2311 |
| 1 | 1810 | 2.750-10 | 3.750 | 4.062 | CF 6.5-1-2361X |
| 1 | SPL140 | 2.750-10 | 3.750 | 6.570 | EY 140-4-81-1 |
| 1 | SPL140 | 2.750-10 | 3.750 | 6.570 | EY 140-4-91-1X |
| 1 | SPL170 | 2.750-10 | 3.750 | 5.850 | EY 170-4-511-1 |
| 1 | SPL170 | 2.750-10 | 3.750 | 5.850 | EY 170-4-521-1X |
| 1 | SPL250 | 2.750-10 | 3.750 | 6.297 | EY 250-4-231-1 |
| 1 | SPL250 | 2.750-10 | 3.750 | 6.297 | EY 250-4-241-1X |
| 1 | 1710 | 2.750-10 | 3.750 | 5.750 | EY 6-4-6821 |
| 1 | 1710 | 2.750-10 | 3.750 | 5.750 | EY 6-4-6821-1 |

| Pos | Series | Spline Data | Hub Dia | * to End of Hub | End Fitting Part Number |
|--|--------|-------------|---------|-----------------|-------------------------|
| RT-12509, R, RT-12513, RT-12515 (Continued) | | | | | |
| 1 | 1710 | 2.750-10 | 3.750 | 5.750 | EY 6-4-6931-1X |
| 1 | 1710 | 2.750-10 | 3.750 | 5.750 | EY 6-4-6931X |
| 1 | 1760 | 2.750-10 | 3.750 | 5.969 | EY 6.3-4-711 |
| 1 | 1760 | 2.750-10 | 3.750 | 5.969 | EY 6.3-4-711-1 |
| 1 | 1760 | 2.750-10 | 3.750 | 5.969 | EY 6.3-4-791-1X |
| 1 | 1760 | 2.750-10 | 3.750 | 5.969 | EY 6.3-4-791X |
| 1 | 1810 | 2.750-10 | 3.750 | 6.062 | EY 6.5-4-3491 |
| 1 | 1810 | 2.750-10 | 3.750 | 6.062 | EY 6.5-4-3491-1 |
| 1 | 1810 | 2.750-10 | 3.750 | 6.062 | EY 6.5-4-3561-1X |
| 1 | 1810 | 2.750-10 | 3.750 | 6.062 | EY 6.5-4-3561X |

| | | | | | |
|---|--------|----------|-------|-------|-------------------|
| RT-12609, RT-12610, RT-12709, RT-12710, RT-13609, RT-13709, RT-13710 | | | | | |
| 1 | 1710 | 2.500-10 | 3.750 | 3.625 | CF 6-1-5541 |
| 1 | 1710 | 2.500-10 | 3.750 | 3.625 | CF 6-1-5651X |
| 1 | 1810 | 2.500-10 | 3.750 | 3.625 | CF 6.5-1-2271 |
| 1 | 1810 | 2.500-10 | 3.750 | 3.625 | CF 6.5-1-2351X |
| 1 | SPL140 | 2.500-10 | 3.750 | 5.960 | EY 140-4-41-1 |
| 1 | SPL140 | 2.500-10 | 3.750 | 5.960 | EY 140-4-51-1X |
| 1 | SPL170 | 2.500-10 | 3.750 | 5.750 | EY 170-4-471-1■ |
| 1 | SPL170 | 2.500-10 | 3.750 | 5.750 | EY 170-4-481-1X■ |
| 1 | SPL250 | 2.500-10 | 3.750 | 6.062 | EY 250-4-191-1■ |
| 1 | SPL250 | 2.500-10 | 3.750 | 6.062 | EY 250-4-201-1X■ |
| 1 | 1710 | 2.500-10 | 3.750 | 5.625 | EY 6-4-6611■ |
| 1 | 1710 | 2.500-10 | 3.750 | 5.625 | EY 6-4-6611-1■ |
| 1 | 1710 | 2.500-10 | 3.750 | 5.625 | EY 6-4-6921-1X■ |
| 1 | 1710 | 2.500-10 | 3.750 | 5.625 | EY 6-4-6921X■ |
| 1 | 1760 | 2.500-10 | 3.750 | 6.000 | EY 6.3-4-651■ |
| 1 | 1760 | 2.500-10 | 3.750 | 6.031 | EY 6.3-4-651-1■ |
| 1 | 1760 | 2.500-10 | 3.750 | 6.000 | EY 6.3-4-781-1X■ |
| 1 | 1760 | 2.500-10 | 3.750 | 6.031 | EY 6.3-4-781X■ |
| 1 | 1760 | 2.500-10 | 3.750 | 6.000 | EY 6.5-4-3451■ |
| 1 | 1760 | 2.500-10 | 3.750 | 6.000 | EY 6.5-4-3451-1■ |
| 1 | 1810 | 2.500-10 | 3.750 | 5.875 | EY 6.5-4-3451-1■ |
| 1 | 1810 | 2.500-10 | 3.750 | 5.875 | EY 6.5-4-3451-1X■ |
| 1 | 1810 | 2.500-10 | 3.750 | 5.875 | EY 6.5-4-3551-1X■ |
| 1 | 1810 | 2.500-10 | 3.750 | 5.875 | EY 6.5-4-3551X■ |

| | | | | | |
|-----------------|--------|----------|-------|-------|-----------------|
| RT-14109 | | | | | |
| 1 | 1810 | 2.750-10 | 3.750 | 4.062 | CF 6.5-1-2311 |
| 1 | 1810 | 2.750-10 | 3.750 | 4.062 | CF 6.5-1-2361X |
| 1 | SPL140 | 2.750-10 | 3.750 | 6.570 | EY 140-4-81-1 |
| 1 | SPL140 | 2.750-10 | 3.750 | 6.570 | EY 140-4-91-1X |
| 1 | SPL170 | 2.750-10 | 3.750 | 5.850 | EY 170-4-511-1 |
| 1 | SPL170 | 2.750-10 | 3.750 | 5.850 | EY 170-4-521-1X |
| 1 | SPL250 | 2.750-10 | 3.750 | 6.297 | EY 250-4-231-1 |
| 1 | SPL250 | 2.750-10 | 3.750 | 6.297 | EY 250-4-241-1X |

*C/L to End of Hub for EY (End Yoke); Flange Face to End of Hub for CF (Companion Flange)

■ Hub machined for speedometer gear



| Pos | Series | Spline Data | Hub Dia | * to End of Hub | End Fitting Part Number |
|-----------------------------|--------|-------------|---------|-----------------|-------------------------|
| RT-14109 (Continued) | | | | | |
| 1 | 1710 | 2.750-10 | 3.750 | 5.750 | EY 6-4-6821 |
| 1 | 1710 | 2.750-10 | 3.750 | 5.750 | EY 6-4-6821-1 |
| 1 | 1710 | 2.750-10 | 3.750 | 5.750 | EY 6-4-6931-1X |
| 1 | 1710 | 2.750-10 | 3.750 | 5.750 | EY 6-4-6931X |
| 1 | 1760 | 2.750-10 | 3.750 | 5.969 | EY 6.3-4-711 |
| 1 | 1760 | 2.750-10 | 3.750 | 5.969 | EY 6.3-4-711-1 |
| 1 | 1760 | 2.750-10 | 3.750 | 5.969 | EY 6.3-4-791-1X |
| 1 | 1760 | 2.750-10 | 3.750 | 5.969 | EY 6.3-4-791X |
| 1 | 1810 | 2.750-10 | 3.750 | 6.062 | EY 6.5-4-3491 |
| 1 | 1810 | 2.750-10 | 3.750 | 6.062 | EY 6.5-4-3491-1 |
| 1 | 1810 | 2.750-10 | 3.750 | 6.062 | EY 6.5-4-3561-1X |
| 1 | 1810 | 2.750-10 | 3.750 | 6.062 | EY 6.5-4-3561X |

| Pos | Series | Spline Data | Hub Dia | * to End of Hub | End Fitting Part Number |
|---------------------------|--------|-------------|---------|-----------------|--------------------------------|
| RT-14209, RT-14210 | | | | | |
| 1 | SPL140 | 2.794-54 | .000 | 6.320 | EY 140-4-201-1 |
| 1 | SPL170 | 2.794-54 | .000 | 5.600 | EY 170-4-561-1 |
| | | | | | <i>Hub diameter not ground</i> |
| 1 | SPL250 | 2.794-54 | .000 | 5.703 | EY 250-4-271-1 |
| | | | | | <i>Hub diameter not ground</i> |
| 1 | 1710 | 2.794-54 | .000 | 5.625 | EY 6-4-9231 |
| 1 | 1710 | 2.794-54 | .000 | 5.625 | EY 6-4-9231-1 |
| 1 | 1760 | 2.794-54 | .000 | 5.625 | EY 6.3-4-1681 |
| | | | | | <i>Hub diameter not ground</i> |
| 1 | 1760 | 2.794-54 | .000 | 5.625 | EY 6.3-4-1681-1 |
| | | | | | <i>Hub diameter not ground</i> |
| 1 | 1810 | 2.794-54 | .000 | 5.625 | EY 6.5-4-4631 |
| | | | | | <i>Hub diameter not ground</i> |
| 1 | 1810 | 2.794-54 | .000 | 5.625 | EY 6.5-4-4631-1 |
| | | | | | <i>Hub diameter not ground</i> |

| Pos | Series | Spline Data | Hub Dia | * to End of Hub | End Fitting Part Number |
|-----------------|--------|-------------|---------|-----------------|-------------------------|
| RT-14607 | | | | | |
| 1 | SPL170 | 2.544-49 | 3.750 | 6.000 | EY 170-4-421-1X■ |

| Pos | Series | Spline Data | Hub Dia | * to End of Hub | End Fitting Part Number |
|--|--------|-------------|---------|-----------------|-------------------------|
| RT-14608, RT-14609, RT-14610, RT-14610B, RT-14613, RT-14615, RT-14709, RT-14710, RT-14715 | | | | | |
| 1 | 1810 | 2.750-10 | 3.750 | 4.062 | CF 6.5-1-2311 |
| 1 | 1810 | 2.750-10 | 3.750 | 4.062 | CF 6.5-1-2361X |
| 1 | SPL140 | 2.750-10 | 3.750 | 6.570 | EY 140-4-81-1 |
| 1 | SPL140 | 2.750-10 | 3.750 | 6.570 | EY 140-4-91-1X |
| 1 | SPL170 | 2.750-10 | 3.750 | 5.850 | EY 170-4-511-1 |
| 1 | SPL170 | 2.750-10 | 3.750 | 5.850 | EY 170-4-521-1X |
| 1 | SPL250 | 2.750-10 | 3.750 | 6.297 | EY 250-4-231-1 |
| 1 | SPL250 | 2.750-10 | 3.750 | 6.297 | EY 250-4-241-1X |
| 1 | 1710 | 2.750-10 | 3.750 | 5.750 | EY 6-4-6821 |
| 1 | 1710 | 2.750-10 | 3.750 | 5.750 | EY 6-4-6821-1 |
| 1 | 1710 | 2.750-10 | 3.750 | 5.750 | EY 6-4-6931-1X |
| 1 | 1710 | 2.750-10 | 3.750 | 5.750 | EY 6-4-6931X |
| 1 | 1760 | 2.750-10 | 3.750 | 5.969 | EY 6.3-4-711 |
| 1 | 1760 | 2.750-10 | 3.750 | 5.969 | EY 6.3-4-711-1 |
| 1 | 1760 | 2.750-10 | 3.750 | 5.969 | EY 6.3-4-791-1X |
| 1 | 1760 | 2.750-10 | 3.750 | 5.969 | EY 6.3-4-791X |
| 1 | 1810 | 2.750-10 | 3.750 | 6.062 | EY 6.5-4-3491 |
| 1 | 1810 | 2.750-10 | 3.750 | 6.062 | EY 6.5-4-3491-1 |
| 1 | 1810 | 2.750-10 | 3.750 | 6.062 | EY 6.5-4-3561-1X |
| 1 | 1810 | 2.750-10 | 3.750 | 6.062 | EY 6.5-4-3561X |

| Pos | Series | Spline Data | Hub Dia | * to End of Hub | End Fitting Part Number |
|-----------------|--------|-------------|---------|-----------------|--------------------------------|
| RT-15210 | | | | | |
| 1 | SPL170 | 2.794-54 | .000 | 5.600 | EY 170-4-561-1 |
| | | | | | <i>Hub diameter not ground</i> |
| 1 | SPL250 | 2.794-54 | .000 | 5.703 | EY 250-4-271-1 |
| | | | | | <i>Hub diameter not ground</i> |

| Pos | Series | Spline Data | Hub Dia | * to End of Hub | End Fitting Part Number |
|--|--------|-------------|---------|-----------------|-------------------------|
| RT-15610, RT-15610B, RT-15613, RT-15615, RT-15715 | | | | | |
| 1 | 1810 | 2.750-10 | 3.750 | 4.062 | CF 6.5-1-2311 |
| 1 | 1810 | 2.750-10 | 3.750 | 4.062 | CF 6.5-1-2361X |
| 1 | SPL140 | 2.750-10 | 3.750 | 6.570 | EY 140-4-81-1 |
| 1 | SPL140 | 2.750-10 | 3.750 | 6.570 | EY 140-4-91-1X |
| 1 | SPL170 | 2.750-10 | 3.750 | 5.850 | EY 170-4-511-1 |
| 1 | SPL170 | 2.750-10 | 3.750 | 5.850 | EY 170-4-521-1X |
| 1 | SPL250 | 2.750-10 | 3.750 | 6.297 | EY 250-4-231-1 |
| 1 | SPL250 | 2.750-10 | 3.750 | 6.297 | EY 250-4-241-1X |
| 1 | 1710 | 2.750-10 | 3.750 | 5.750 | EY 6-4-6821 |
| 1 | 1710 | 2.750-10 | 3.750 | 5.750 | EY 6-4-6821-1 |
| 1 | 1710 | 2.750-10 | 3.750 | 5.750 | EY 6-4-6931-1X |
| 1 | 1710 | 2.750-10 | 3.750 | 5.750 | EY 6-4-6931X |
| 1 | 1760 | 2.750-10 | 3.750 | 5.969 | EY 6.3-4-711 |
| 1 | 1760 | 2.750-10 | 3.750 | 5.969 | EY 6.3-4-711-1 |
| 1 | 1760 | 2.750-10 | 3.750 | 5.969 | EY 6.3-4-791-1X |
| 1 | 1760 | 2.750-10 | 3.750 | 5.969 | EY 6.3-4-791X |
| 1 | 1810 | 2.750-10 | 3.750 | 6.062 | EY 6.5-4-3491 |
| 1 | 1810 | 2.750-10 | 3.750 | 6.062 | EY 6.5-4-3491-1 |
| 1 | 1810 | 2.750-10 | 3.750 | 6.062 | EY 6.5-4-3561-1X |
| 1 | 1810 | 2.750-10 | 3.750 | 6.062 | EY 6.5-4-3561X |

| Pos | Series | Spline Data | Hub Dia | * to End of Hub | End Fitting Part Number |
|-----------------|--------|-------------|---------|-----------------|--------------------------------|
| RT-16210 | | | | | |
| 1 | SPL170 | 2.794-54 | .000 | 5.600 | EY 170-4-561-1 |
| | | | | | <i>Hub diameter not ground</i> |
| 1 | SPL250 | 2.794-54 | .000 | 5.703 | EY 250-4-271-1 |
| | | | | | <i>Hub diameter not ground</i> |

| Pos | Series | Spline Data | Hub Dia | * to End of Hub | End Fitting Part Number |
|----------------------------|--------|-------------|---------|-----------------|-------------------------|
| RT-16610, RT-16610B | | | | | |
| 1 | 1810 | 2.750-10 | 3.750 | 4.062 | CF 6.5-1-2311 |
| 1 | 1810 | 2.750-10 | 3.750 | 4.062 | CF 6.5-1-2361X |
| 1 | SPL140 | 2.750-10 | 3.750 | 6.570 | EY 140-4-81-1 |
| 1 | SPL140 | 2.750-10 | 3.750 | 6.570 | EY 140-4-91-1X |
| 1 | SPL170 | 2.750-10 | 3.750 | 5.850 | EY 170-4-511-1 |
| 1 | SPL170 | 2.750-10 | 3.750 | 5.850 | EY 170-4-521-1X |
| 1 | SPL250 | 2.750-10 | 3.750 | 6.297 | EY 250-4-231-1 |
| 1 | SPL250 | 2.750-10 | 3.750 | 6.297 | EY 250-4-241-1X |
| 1 | 1710 | 2.750-10 | 3.750 | 5.750 | EY 6-4-6821 |
| 1 | 1710 | 2.750-10 | 3.750 | 5.750 | EY 6-4-6821-1 |
| 1 | 1710 | 2.750-10 | 3.750 | 5.750 | EY 6-4-6931-1X |
| 1 | 1710 | 2.750-10 | 3.750 | 5.750 | EY 6-4-6931X |
| 1 | 1760 | 2.750-10 | 3.750 | 5.969 | EY 6.3-4-711 |
| 1 | 1760 | 2.750-10 | 3.750 | 5.969 | EY 6.3-4-711-1 |
| 1 | 1760 | 2.750-10 | 3.750 | 5.969 | EY 6.3-4-791-1X |
| 1 | 1760 | 2.750-10 | 3.750 | 5.969 | EY 6.3-4-791X |
| 1 | 1810 | 2.750-10 | 3.750 | 6.062 | EY 6.5-4-3491 |
| 1 | 1810 | 2.750-10 | 3.750 | 6.062 | EY 6.5-4-3491-1 |
| 1 | 1810 | 2.750-10 | 3.750 | 6.062 | EY 6.5-4-3561-1X |
| 1 | 1810 | 2.750-10 | 3.750 | 6.062 | EY 6.5-4-3561X |

| Pos | Series | Spline Data | Hub Dia | * to End of Hub | End Fitting Part Number |
|-----------------|--------|-------------|---------|-----------------|--------------------------------|
| RT-16915 | | | | | |
| 1 | SPL170 | 2.794-54 | .000 | 5.600 | EY 170-4-561-1 |
| | | | | | <i>Hub diameter not ground</i> |
| 1 | SPL250 | 2.794-54 | .000 | 5.703 | EY 250-4-271-1 |
| | | | | | <i>Hub diameter not ground</i> |
| 1 | 1710 | 2.794-54 | .000 | 5.625 | EY 6-4-9231 |
| 1 | 1710 | 2.794-54 | .000 | 5.625 | EY 6-4-9231-1 |
| 1 | 1760 | 2.794-54 | .000 | 5.625 | EY 6.3-4-1681 |
| | | | | | <i>Hub diameter not ground</i> |
| 1 | 1760 | 2.794-54 | .000 | 5.625 | EY 6.3-4-1681-1 |
| | | | | | <i>Hub diameter not ground</i> |

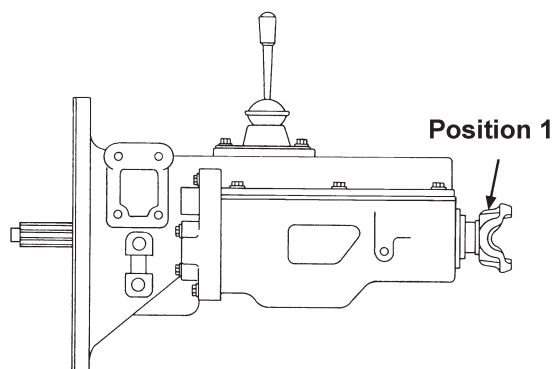
Continued on next page

*C/L to End of Hub for EY (End Yoke); Flange Face to End of Hub for CF (Companion Flange)

■ Hub machined for speedometer gear



Important: See Safety Information in General Information Section (J300P-GI)



| Pos | Series | Spline Data | Hub Dia | * to End of Hub | End Fitting Part Number |
|-----|--------|-------------|---------|-----------------|-------------------------|
|-----|--------|-------------|---------|-----------------|-------------------------|

RT-16915 (Continued)

| | | | | | |
|---|------|----------|------|-------|---|
| 1 | 1810 | 2.794-54 | .000 | 5.625 | EY 6.5-4-4631 <i>Hub diameter not ground</i> |
| 1 | 1810 | 2.794-54 | .000 | 5.625 | EY 6.5-4-4631-1 <i>Hub diameter not ground</i> |

RTAO-11710, RTAO-12710, RTAO-13710

| | | | | | |
|---|--------|----------|-------|-------|-------------------|
| 1 | 1710 | 2.500-10 | 3.750 | 3.625 | CF 6-1-5541 |
| 1 | 1710 | 2.500-10 | 3.750 | 3.625 | CF 6-1-5651X |
| 1 | 1810 | 2.500-10 | 3.750 | 3.625 | CF 6.5-1-2271 |
| 1 | 1810 | 2.500-10 | 3.750 | 3.625 | CF 6.5-1-2351X |
| 1 | SPL140 | 2.500-10 | 3.750 | 5.960 | EY 140-4-41-1 |
| 1 | SPL140 | 2.500-10 | 3.750 | 5.960 | EY 140-4-51-1X |
| 1 | SPL170 | 2.500-10 | 3.750 | 5.750 | EY 170-4-471-1■ |
| 1 | SPL170 | 2.500-10 | 3.750 | 5.750 | EY 170-4-481-1X■ |
| 1 | SPL250 | 2.500-10 | 3.750 | 6.062 | EY 250-4-191-1■ |
| 1 | SPL250 | 2.500-10 | 3.750 | 6.062 | EY 250-4-201-1X■ |
| 1 | 1710 | 2.500-10 | 3.750 | 5.625 | EY 6-4-6611■ |
| 1 | 1710 | 2.500-10 | 3.750 | 5.625 | EY 6-4-6611-1■ |
| 1 | 1710 | 2.500-10 | 3.750 | 5.625 | EY 6-4-6921-1X■ |
| 1 | 1710 | 2.500-10 | 3.750 | 5.625 | EY 6-4-6921X■ |
| 1 | 1760 | 2.500-10 | 3.750 | 6.000 | EY 6.3-4-651■ |
| 1 | 1760 | 2.500-10 | 3.750 | 6.031 | EY 6.3-4-651-1■ |
| 1 | 1760 | 2.500-10 | 3.750 | 6.031 | EY 6.3-4-781-1X■ |
| 1 | 1760 | 2.500-10 | 3.750 | 6.000 | EY 6.3-4-781X■ |
| 1 | 1810 | 2.500-10 | 3.750 | 5.875 | EY 6.5-4-3451■ |
| 1 | 1810 | 2.500-10 | 3.750 | 5.875 | EY 6.5-4-3451-1■ |
| 1 | 1810 | 2.500-10 | 3.750 | 5.875 | EY 6.5-4-3551-1X■ |
| 1 | 1810 | 2.500-10 | 3.750 | 5.875 | EY 6.5-4-3551X■ |

RTAO-14710, RTAO-15710, RTAO-16710

| | | | | | |
|---|--------|----------|-------|-------|-----------------|
| 1 | 1810 | 2.750-10 | 3.750 | 4.062 | CF 6.5-1-2311 |
| 1 | 1810 | 2.750-10 | 3.750 | 4.062 | CF 6.5-1-2361X |
| 1 | SPL140 | 2.750-10 | 3.750 | 6.570 | EY 140-4-81-1 |
| 1 | SPL140 | 2.750-10 | 3.750 | 6.570 | EY 140-4-91-1X |
| 1 | SPL170 | 2.750-10 | 3.750 | 5.850 | EY 170-4-511-1 |
| 1 | SPL170 | 2.750-10 | 3.750 | 5.850 | EY 170-4-521-1X |
| 1 | SPL250 | 2.750-10 | 3.750 | 6.297 | EY 250-4-231-1 |
| 1 | SPL250 | 2.750-10 | 3.750 | 6.297 | EY 250-4-241-1X |
| 1 | 1710 | 2.750-10 | 3.750 | 5.750 | EY 6-4-6821 |
| 1 | 1710 | 2.750-10 | 3.750 | 5.750 | EY 6-4-6821-1 |
| 1 | 1710 | 2.750-10 | 3.750 | 5.750 | EY 6-4-6931-1X |
| 1 | 1710 | 2.750-10 | 3.750 | 5.750 | EY 6-4-6931X |
| 1 | 1760 | 2.750-10 | 3.750 | 5.969 | EY 6.3-4-711 |
| 1 | 1760 | 2.750-10 | 3.750 | 5.969 | EY 6.3-4-711-1 |
| 1 | 1760 | 2.750-10 | 3.750 | 5.969 | EY 6.3-4-791-1X |

| Pos | Series | Spline Data | Hub Dia | * to End of Hub | End Fitting Part Number |
|-----|--------|-------------|---------|-----------------|-------------------------|
|-----|--------|-------------|---------|-----------------|-------------------------|

RTAO-14710, RTAO-15710, RTAO-16710 (Continued)

| | | | | | |
|---|------|----------|-------|-------|------------------|
| 1 | 1760 | 2.750-10 | 3.750 | 5.969 | EY 6.3-4-791X |
| 1 | 1810 | 2.750-10 | 3.750 | 6.062 | EY 6.5-4-3491 |
| 1 | 1810 | 2.750-10 | 3.750 | 6.062 | EY 6.5-4-3491-1 |
| 1 | 1810 | 2.750-10 | 3.750 | 6.062 | EY 6.5-4-3561-1X |
| 1 | 1810 | 2.750-10 | 3.750 | 6.062 | EY 6.5-4-3561X |

RTE-12609

| | | | | | |
|---|--------|----------|-------|-------|-------------------|
| 1 | 1710 | 2.500-10 | 3.750 | 3.625 | CF 6-1-5541 |
| 1 | 1710 | 2.500-10 | 3.750 | 3.625 | CF 6-1-5651X |
| 1 | 1810 | 2.500-10 | 3.750 | 3.625 | CF 6.5-1-2271 |
| 1 | 1810 | 2.500-10 | 3.750 | 3.625 | CF 6.5-1-2351X |
| 1 | SPL140 | 2.500-10 | 3.750 | 5.960 | EY 140-4-41-1 |
| 1 | SPL140 | 2.500-10 | 3.750 | 5.960 | EY 140-4-51-1X |
| 1 | SPL170 | 2.500-10 | 3.750 | 5.750 | EY 170-4-471-1■ |
| 1 | SPL170 | 2.500-10 | 3.750 | 5.750 | EY 170-4-481-1X■ |
| 1 | SPL250 | 2.500-10 | 3.750 | 6.062 | EY 250-4-191-1■ |
| 1 | SPL250 | 2.500-10 | 3.750 | 6.062 | EY 250-4-201-1X■ |
| 1 | 1710 | 2.500-10 | 3.750 | 5.625 | EY 6-4-6611■ |
| 1 | 1710 | 2.500-10 | 3.750 | 5.625 | EY 6-4-6611-1■ |
| 1 | 1710 | 2.500-10 | 3.750 | 5.625 | EY 6-4-6921-1X■ |
| 1 | 1710 | 2.500-10 | 3.750 | 5.625 | EY 6-4-6921X■ |
| 1 | 1760 | 2.500-10 | 3.750 | 6.000 | EY 6.3-4-651■ |
| 1 | 1760 | 2.500-10 | 3.750 | 6.031 | EY 6.3-4-651-1■ |
| 1 | 1760 | 2.500-10 | 3.750 | 6.031 | EY 6.3-4-781-1X■ |
| 1 | 1760 | 2.500-10 | 3.750 | 6.000 | EY 6.3-4-781X■ |
| 1 | 1810 | 2.500-10 | 3.750 | 5.875 | EY 6.5-4-3451■ |
| 1 | 1810 | 2.500-10 | 3.750 | 5.875 | EY 6.5-4-3451-1■ |
| 1 | 1810 | 2.500-10 | 3.750 | 5.875 | EY 6.5-4-3551-1X■ |
| 1 | 1810 | 2.500-10 | 3.750 | 5.875 | EY 6.5-4-3551X■ |

RTF-909A

| | | | | | |
|---|------|----------|-------|-------|------------------|
| 1 | 1710 | 2.500-10 | 3.750 | 3.625 | CF 6-1-5541 |
| 1 | 1710 | 2.500-10 | 3.750 | 3.625 | CF 6-1-5651X |
| 1 | 1810 | 2.500-10 | 3.750 | 3.625 | CF 6.5-1-2271 |
| 1 | 1810 | 2.500-10 | 3.750 | 3.625 | CF 6.5-1-2351X |
| 1 | 1610 | 2.500-10 | 3.750 | 6.125 | EY 5-4-4971■ |
| 1 | 1710 | 2.500-10 | 3.750 | 5.625 | EY 6-4-6611■ |
| 1 | 1710 | 2.500-10 | 3.750 | 5.625 | EY 6-4-6611-1■ |
| 1 | 1710 | 2.500-10 | 3.750 | 5.625 | EY 6-4-6921-1X■ |
| 1 | 1710 | 2.500-10 | 3.750 | 5.625 | EY 6-4-6921X■ |
| 1 | 1760 | 2.500-10 | 3.750 | 6.000 | EY 6.3-4-651■ |
| 1 | 1760 | 2.500-10 | 3.750 | 6.031 | EY 6.3-4-651-1■ |
| 1 | 1760 | 2.500-10 | 3.750 | 6.031 | EY 6.3-4-781-1X■ |
| 1 | 1760 | 2.500-10 | 3.750 | 6.000 | EY 6.3-4-781X■ |

*C/L to End of Hub for EY (End Yoke); Flange Face to End of Hub for CF (Companion Flange)

■ Hub machined for speedometer gear



| Pos | Series | Spline Data | Hub Dia | * to End of Hub | End Fitting Part Number |
|---|--------|-------------|---------|-----------------|-------------------------|
| RTF-909A (Continued) | | | | | |
| 1 | 1810 | 2.500-10 | 3.750 | 5.875 | EY 6.5-4-3451■ |
| 1 | 1810 | 2.500-10 | 3.750 | 5.875 | EY 6.5-4-3451-1■ |
| 1 | 1810 | 2.500-10 | 3.750 | 5.875 | EY 6.5-4-3551-1X■ |
| 1 | 1810 | 2.500-10 | 3.750 | 5.875 | EY 6.5-4-3551X■ |
| RTLC-16609B | | | | | |
| 1 | 1810 | 2.750-10 | 3.750 | 4.062 | CF 6.5-1-2311 |
| 1 | 1810 | 2.750-10 | 3.750 | 4.062 | CF 6.5-1-2361X |
| 1 | SPL140 | 2.750-10 | 3.750 | 6.570 | EY 140-4-81-1 |
| 1 | SPL140 | 2.750-10 | 3.750 | 6.570 | EY 140-4-91-1X |
| 1 | SPL170 | 2.750-10 | 3.750 | 5.850 | EY 170-4-511-1 |
| 1 | SPL170 | 2.750-10 | 3.750 | 5.850 | EY 170-4-521-1X |
| 1 | SPL250 | 2.750-10 | 3.750 | 6.297 | EY 250-4-231-1 |
| 1 | SPL250 | 2.750-10 | 3.750 | 6.297 | EY 250-4-241-1X |
| 1 | 1710 | 2.750-10 | 3.750 | 5.750 | EY 6-4-6821 |
| 1 | 1710 | 2.750-10 | 3.750 | 5.750 | EY 6-4-6821-1 |
| 1 | 1710 | 2.750-10 | 3.750 | 5.750 | EY 6-4-6931-1X |
| 1 | 1710 | 2.750-10 | 3.750 | 5.750 | EY 6-4-6931X |
| 1 | 1760 | 2.750-10 | 3.750 | 5.969 | EY 6.3-4-711 |
| 1 | 1760 | 2.750-10 | 3.750 | 5.969 | EY 6.3-4-711-1 |
| 1 | 1760 | 2.750-10 | 3.750 | 5.969 | EY 6.3-4-791-1X |
| 1 | 1760 | 2.750-10 | 3.750 | 5.969 | EY 6.3-4-791X |
| 1 | 1810 | 2.750-10 | 3.750 | 6.062 | EY 6.5-4-3491 |
| 1 | 1810 | 2.750-10 | 3.750 | 6.062 | EY 6.5-4-3491-1 |
| 1 | 1810 | 2.750-10 | 3.750 | 6.062 | EY 6.5-4-3561-1X |
| 1 | 1810 | 2.750-10 | 3.750 | 6.062 | EY 6.5-4-3561X |
| RTLO-1210A, RTLO-11610, RTLO-12610 | | | | | |
| 1 | 1710 | 2.500-10 | 3.750 | 3.625 | CF 6-1-5541 |
| 1 | 1710 | 2.500-10 | 3.750 | 3.625 | CF 6-1-5651X |
| 1 | 1810 | 2.500-10 | 3.750 | 3.625 | CF 6.5-1-2271 |
| 1 | 1810 | 2.500-10 | 3.750 | 3.625 | CF 6.5-1-2351X |
| 1 | SPL140 | 2.500-10 | 3.750 | 5.960 | EY 140-4-41-1 |
| 1 | SPL140 | 2.500-10 | 3.750 | 5.960 | EY 140-4-51-1X |
| 1 | SPL170 | 2.500-10 | 3.750 | 5.750 | EY 170-4-471-1■ |
| 1 | SPL170 | 2.500-10 | 3.750 | 5.750 | EY 170-4-481-1X■ |
| 1 | SPL250 | 2.500-10 | 3.750 | 6.062 | EY 250-4-191-1■ |
| 1 | SPL250 | 2.500-10 | 3.750 | 6.062 | EY 250-4-201-1X■ |
| 1 | 1710 | 2.500-10 | 3.750 | 5.625 | EY 6-4-6611■ |
| 1 | 1710 | 2.500-10 | 3.750 | 5.625 | EY 6-4-6611-1■ |
| 1 | 1710 | 2.500-10 | 3.750 | 5.625 | EY 6-4-6921-1X■ |
| 1 | 1710 | 2.500-10 | 3.750 | 5.625 | EY 6-4-6921X■ |
| 1 | 1760 | 2.500-10 | 3.750 | 6.000 | EY 6.3-4-651■ |
| 1 | 1760 | 2.500-10 | 3.750 | 6.031 | EY 6.3-4-651-1■ |
| 1 | 1760 | 2.500-10 | 3.750 | 6.031 | EY 6.3-4-781-1X■ |
| 1 | 1760 | 2.500-10 | 3.750 | 6.000 | EY 6.3-4-781X■ |
| 1 | 1810 | 2.500-10 | 3.750 | 5.875 | EY 6.5-4-3451■ |
| 1 | 1810 | 2.500-10 | 3.750 | 5.875 | EY 6.5-4-3451-1■ |
| 1 | 1810 | 2.500-10 | 3.750 | 5.875 | EY 6.5-4-3551-1X■ |
| 1 | 1810 | 2.500-10 | 3.750 | 5.875 | EY 6.5-4-3551X■ |
| RTLO-12610A | | | | | |
| 1 | 1810 | 2.500-10 | 3.750 | 3.625 | CF 6.5-1-2351X |
| 1 | SPL140 | 2.500-10 | 3.750 | 5.960 | EY 140-4-41-1 |
| 1 | SPL140 | 2.500-10 | 3.750 | 5.960 | EY 140-4-51-1X |
| 1 | SPL170 | 2.500-10 | 3.750 | 5.750 | EY 170-4-471-1■ |
| 1 | SPL170 | 2.500-10 | 3.750 | 5.750 | EY 170-4-481-1X■ |
| 1 | SPL250 | 2.500-10 | 3.750 | 6.062 | EY 250-4-191-1■ |
| 1 | SPL250 | 2.500-10 | 3.750 | 6.062 | EY 250-4-201-1X■ |
| 1 | 1710 | 2.500-10 | 3.750 | 5.625 | EY 6-4-6611■ |

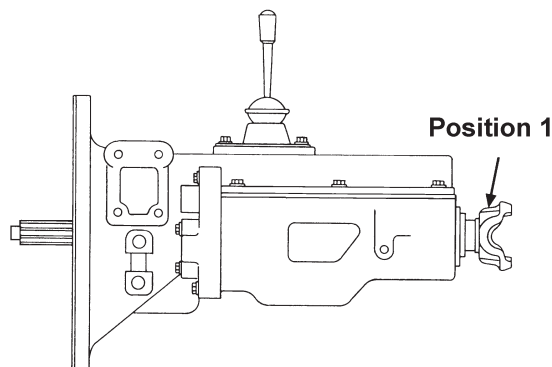
| Pos | Series | Spline Data | Hub Dia | * to End of Hub | End Fitting Part Number |
|---|--------|-------------|---------|-----------------|-------------------------|
| RTLO-12610A (Continued) | | | | | |
| 1 | 1710 | 2.500-10 | 3.750 | 5.625 | EY 6-4-6611-1■ |
| 1 | 1710 | 2.500-10 | 3.750 | 5.625 | EY 6-4-6921-1X■ |
| 1 | 1710 | 2.500-10 | 3.750 | 5.625 | EY 6-4-6921X■ |
| 1 | 1760 | 2.500-10 | 3.750 | 6.000 | EY 6.3-4-651■ |
| 1 | 1760 | 2.500-10 | 3.750 | 6.031 | EY 6.3-4-651-1■ |
| 1 | 1760 | 2.500-10 | 3.750 | 6.031 | EY 6.3-4-781-1X■ |
| 1 | 1810 | 2.500-10 | 3.750 | 5.875 | EY 6.5-4-3451■ |
| 1 | 1810 | 2.500-10 | 3.750 | 5.875 | EY 6.5-4-3451-1■ |
| 1 | 1810 | 2.500-10 | 3.750 | 5.875 | EY 6.5-4-3551-1X■ |
| 1 | 1810 | 2.500-10 | 3.750 | 5.875 | EY 6.5-4-3551X■ |
| RTLO-12610B, RTLO-12613 | | | | | |
| 1 | 1710 | 2.500-10 | 3.750 | 3.625 | CF 6-1-5541 |
| 1 | 1710 | 2.500-10 | 3.750 | 3.625 | CF 6-1-5651X |
| 1 | 1810 | 2.500-10 | 3.750 | 3.625 | CF 6.5-1-2271 |
| 1 | 1810 | 2.500-10 | 3.750 | 3.625 | CF 6.5-1-2351X |
| 1 | SPL140 | 2.500-10 | 3.750 | 5.960 | EY 140-4-41-1 |
| 1 | SPL140 | 2.500-10 | 3.750 | 5.960 | EY 140-4-51-1X |
| 1 | SPL170 | 2.500-10 | 3.750 | 5.750 | EY 170-4-471-1■ |
| 1 | SPL170 | 2.500-10 | 3.750 | 5.750 | EY 170-4-481-1X■ |
| 1 | SPL250 | 2.500-10 | 3.750 | 6.062 | EY 250-4-191-1■ |
| 1 | SPL250 | 2.500-10 | 3.750 | 6.062 | EY 250-4-201-1X■ |
| 1 | 1710 | 2.500-10 | 3.750 | 5.625 | EY 6-4-6611■ |
| 1 | 1710 | 2.500-10 | 3.750 | 5.625 | EY 6-4-6611-1■ |
| 1 | 1710 | 2.500-10 | 3.750 | 5.625 | EY 6-4-6921-1X■ |
| 1 | 1710 | 2.500-10 | 3.750 | 5.625 | EY 6-4-6921X■ |
| 1 | 1760 | 2.500-10 | 3.750 | 6.000 | EY 6.3-4-651■ |
| 1 | 1760 | 2.500-10 | 3.750 | 6.031 | EY 6.3-4-651-1■ |
| 1 | 1760 | 2.500-10 | 3.750 | 6.031 | EY 6.3-4-781-1X■ |
| 1 | 1810 | 2.500-10 | 3.750 | 5.875 | EY 6.5-4-3451■ |
| 1 | 1810 | 2.500-10 | 3.750 | 5.875 | EY 6.5-4-3451-1■ |
| 1 | 1810 | 2.500-10 | 3.750 | 5.875 | EY 6.5-4-3551-1X■ |
| 1 | 1810 | 2.500-10 | 3.750 | 5.875 | EY 6.5-4-3551X■ |
| RTLO-12613B, RTLO-12713, RTLO-12713A | | | | | |
| 1 | 1710 | 2.500-10 | 3.750 | 3.625 | CF 6-1-5541 |
| 1 | 1710 | 2.500-10 | 3.750 | 3.625 | CF 6-1-5651X |
| 1 | 1810 | 2.500-10 | 3.750 | 3.625 | CF 6.5-1-2271 |
| 1 | 1810 | 2.500-10 | 3.750 | 3.625 | CF 6.5-1-2351X |
| 1 | SPL140 | 2.500-10 | 3.750 | 5.960 | EY 140-4-41-1 |
| 1 | SPL140 | 2.500-10 | 3.750 | 5.960 | EY 140-4-51-1X |
| 1 | SPL170 | 2.500-10 | 3.750 | 5.750 | EY 170-4-471-1■ |
| 1 | SPL170 | 2.500-10 | 3.750 | 5.750 | EY 170-4-481-1X■ |
| 1 | SPL250 | 2.500-10 | 3.750 | 6.062 | EY 250-4-191-1■ |
| 1 | SPL250 | 2.500-10 | 3.750 | 6.062 | EY 250-4-201-1X■ |
| 1 | 1710 | 2.500-10 | 3.750 | 5.625 | EY 6-4-6611■ |
| 1 | 1710 | 2.500-10 | 3.750 | 5.625 | EY 6-4-6611-1■ |
| 1 | 1710 | 2.500-10 | 3.750 | 5.625 | EY 6-4-6921-1X■ |
| 1 | 1710 | 2.500-10 | 3.750 | 5.625 | EY 6-4-6921X■ |
| 1 | 1760 | 2.500-10 | 3.750 | 6.000 | EY 6.3-4-651■ |
| 1 | 1760 | 2.500-10 | 3.750 | 6.031 | EY 6.3-4-651-1■ |
| 1 | 1760 | 2.500-10 | 3.750 | 6.031 | EY 6.3-4-781-1X■ |
| 1 | 1810 | 2.500-10 | 3.750 | 5.875 | EY 6.5-4-3451■ |
| 1 | 1810 | 2.500-10 | 3.750 | 5.875 | EY 6.5-4-3451-1■ |
| 1 | 1810 | 2.500-10 | 3.750 | 5.875 | EY 6.5-4-3551-1X■ |
| 1 | 1810 | 2.500-10 | 3.750 | 5.875 | EY 6.5-4-3551X■ |

*C/L to End of Hub for EY (End Yoke); Flange Face to End of Hub for CF (Companion Flange)

■ Hub machined for speedometer gear



Important: See Safety Information in General Information Section (J300P-GI)



| Pos | Series | Spline Data | Hub Dia | * to End of Hub | End Fitting Part Number |
|-----|--------|-------------|---------|-----------------|-------------------------|
|-----|--------|-------------|---------|-----------------|-------------------------|

RTLO-12713B

| | | | | | |
|---|--------|----------|-------|-------|------------------|
| 1 | SPL170 | 2.500-10 | 3.750 | 5.750 | EY 170-4-471-1 ■ |
|---|--------|----------|-------|-------|------------------|

RTLO-13610

| | | | | | |
|---|--------|----------|-------|-------|--------------------|
| 1 | 1710 | 2.500-10 | 3.750 | 3.625 | CF 6-1-5541 |
| 1 | 1710 | 2.500-10 | 3.750 | 3.625 | CF 6-1-5651X |
| 1 | 1810 | 2.500-10 | 3.750 | 3.625 | CF 6.5-1-2271 |
| 1 | 1810 | 2.500-10 | 3.750 | 3.625 | CF 6.5-1-2351X |
| 1 | SPL140 | 2.500-10 | 3.750 | 5.960 | EY 140-4-41-1 |
| 1 | SPL140 | 2.500-10 | 3.750 | 5.960 | EY 140-4-51-1X |
| 1 | SPL170 | 2.500-10 | 3.750 | 5.750 | EY 170-4-471-1 ■ |
| 1 | SPL170 | 2.500-10 | 3.750 | 5.750 | EY 170-4-481-1X ■ |
| 1 | SPL250 | 2.500-10 | 3.750 | 6.062 | EY 250-4-191-1 ■ |
| 1 | SPL250 | 2.500-10 | 3.750 | 6.062 | EY 250-4-201-1X ■ |
| 1 | 1710 | 2.500-10 | 3.750 | 5.625 | EY 6-4-6611 ■ |
| 1 | 1710 | 2.500-10 | 3.750 | 5.625 | EY 6-4-6611-1 ■ |
| 1 | 1710 | 2.500-10 | 3.750 | 5.625 | EY 6-4-6921-1X ■ |
| 1 | 1710 | 2.500-10 | 3.750 | 5.625 | EY 6-4-6921X ■ |
| 1 | 1760 | 2.500-10 | 3.750 | 6.000 | EY 6.3-4-651 ■ |
| 1 | 1760 | 2.500-10 | 3.750 | 6.031 | EY 6.3-4-651-1 ■ |
| 1 | 1760 | 2.500-10 | 3.750 | 6.031 | EY 6.3-4-781-1X ■ |
| 1 | 1760 | 2.500-10 | 3.750 | 6.000 | EY 6.3-4-781X ■ |
| 1 | 1810 | 2.500-10 | 3.750 | 5.875 | EY 6.5-4-3451 ■ |
| 1 | 1810 | 2.500-10 | 3.750 | 5.875 | EY 6.5-4-3451-1 ■ |
| 1 | 1810 | 2.500-10 | 3.750 | 5.875 | EY 6.5-4-3551-1X ■ |
| 1 | 1810 | 2.500-10 | 3.750 | 5.875 | EY 6.5-4-3551X ■ |

RTLO-13610B

| | | | | | |
|---|--------|----------|-------|-------|--------------------|
| 1 | 1710 | 2.500-10 | 3.750 | 3.625 | CF 6-1-5651X |
| 1 | 1810 | 2.500-10 | 3.750 | 3.625 | CF 6.5-1-2351X |
| 1 | SPL140 | 2.500-10 | 3.750 | 5.960 | EY 140-4-41-1 |
| 1 | SPL140 | 2.500-10 | 3.750 | 5.960 | EY 140-4-51-1X |
| 1 | SPL170 | 2.500-10 | 3.750 | 5.750 | EY 170-4-471-1 ■ |
| 1 | SPL170 | 2.500-10 | 3.750 | 5.750 | EY 170-4-481-1X ■ |
| 1 | SPL250 | 2.500-10 | 3.750 | 6.062 | EY 250-4-191-1 ■ |
| 1 | SPL250 | 2.500-10 | 3.750 | 6.062 | EY 250-4-201-1X ■ |
| 1 | 1710 | 2.500-10 | 3.750 | 5.625 | EY 6-4-6921-1X ■ |
| 1 | 1710 | 2.500-10 | 3.750 | 5.625 | EY 6-4-6921X ■ |
| 1 | 1760 | 2.500-10 | 3.750 | 6.031 | EY 6.3-4-781-1X ■ |
| 1 | 1760 | 2.500-10 | 3.750 | 6.000 | EY 6.3-4-781X ■ |
| 1 | 1810 | 2.500-10 | 3.750 | 5.875 | EY 6.5-4-3551-1X ■ |
| 1 | 1810 | 2.500-10 | 3.750 | 5.875 | EY 6.5-4-3551X ■ |

| Pos | Series | Spline Data | Hub Dia | * to End of Hub | End Fitting Part Number |
|-----|--------|-------------|---------|-----------------|-------------------------|
|-----|--------|-------------|---------|-----------------|-------------------------|

RTLO-14610A, RTLO-14613, RTLO-14613B, RTLO-14618

| | | | | | |
|---|--------|----------|-------|-------|------------------|
| 1 | 1810 | 2.750-10 | 3.750 | 4.062 | CF 6.5-1-2311 |
| 1 | 1810 | 2.750-10 | 3.750 | 4.062 | CF 6.5-1-2361X |
| 1 | SPL140 | 2.750-10 | 3.750 | 6.570 | EY 140-4-81-1 |
| 1 | SPL140 | 2.750-10 | 3.750 | 6.570 | EY 140-4-91-1X |
| 1 | SPL170 | 2.750-10 | 3.750 | 5.850 | EY 170-4-511-1 |
| 1 | SPL170 | 2.750-10 | 3.750 | 5.850 | EY 170-4-521-1X |
| 1 | SPL250 | 2.750-10 | 3.750 | 6.297 | EY 250-4-231-1 |
| 1 | SPL250 | 2.750-10 | 3.750 | 6.297 | EY 250-4-241-1X |
| 1 | 1710 | 2.750-10 | 3.750 | 5.750 | EY 6-4-6821 |
| 1 | 1710 | 2.750-10 | 3.750 | 5.750 | EY 6-4-6821-1 |
| 1 | 1710 | 2.750-10 | 3.750 | 5.750 | EY 6-4-6931-1X |
| 1 | 1710 | 2.750-10 | 3.750 | 5.750 | EY 6-4-6931X |
| 1 | 1760 | 2.750-10 | 3.750 | 5.969 | EY 6.3-4-711 |
| 1 | 1760 | 2.750-10 | 3.750 | 5.969 | EY 6.3-4-711-1 |
| 1 | 1760 | 2.750-10 | 3.750 | 5.969 | EY 6.3-4-791-1X |
| 1 | 1760 | 2.750-10 | 3.750 | 5.969 | EY 6.3-4-791X |
| 1 | 1810 | 2.750-10 | 3.750 | 6.062 | EY 6.5-4-3491 |
| 1 | 1810 | 2.750-10 | 3.750 | 6.062 | EY 6.5-4-3491-1 |
| 1 | 1810 | 2.750-10 | 3.750 | 6.062 | EY 6.5-4-3561-1X |
| 1 | 1810 | 2.750-10 | 3.750 | 6.062 | EY 6.5-4-3561X |

RTLO-14618A

| | | | | | |
|---|--------|----------|-------|-------|------------------|
| 1 | 1810 | 2.750-10 | 3.750 | 4.062 | CF 6.5-1-2311 |
| 1 | 1810 | 2.750-10 | 3.750 | 4.062 | CF 6.5-1-2361X |
| 1 | SPL170 | 2.750-10 | 3.750 | 5.850 | EY 170-4-511-1 |
| 1 | SPL170 | 2.750-10 | 3.750 | 5.850 | EY 170-4-521-1X |
| 1 | SPL250 | 2.750-10 | 3.750 | 6.297 | EY 250-4-231-1 |
| 1 | SPL250 | 2.750-10 | 3.750 | 6.297 | EY 250-4-241-1X |
| 1 | 1710 | 2.750-10 | 3.750 | 5.750 | EY 6-4-6821 |
| 1 | 1710 | 2.750-10 | 3.750 | 5.750 | EY 6-4-6821-1 |
| 1 | 1710 | 2.750-10 | 3.750 | 5.750 | EY 6-4-6931-1X |
| 1 | 1710 | 2.750-10 | 3.750 | 5.750 | EY 6-4-6931X |
| 1 | 1760 | 2.750-10 | 3.750 | 5.969 | EY 6.3-4-711 |
| 1 | 1760 | 2.750-10 | 3.750 | 5.969 | EY 6.3-4-711-1 |
| 1 | 1760 | 2.750-10 | 3.750 | 5.969 | EY 6.3-4-791-1X |
| 1 | 1760 | 2.750-10 | 3.750 | 5.969 | EY 6.3-4-791X |
| 1 | 1810 | 2.750-10 | 3.750 | 6.062 | EY 6.5-4-3491 |
| 1 | 1810 | 2.750-10 | 3.750 | 6.062 | EY 6.5-4-3491-1 |
| 1 | 1810 | 2.750-10 | 3.750 | 6.062 | EY 6.5-4-3561-1X |
| 1 | 1810 | 2.750-10 | 3.750 | 6.062 | EY 6.5-4-3561X |

*C/L to End of Hub for EY (End Yoke); Flange Face to End of Hub for CF (Companion Flange)

■ Hub machined for speedometer gear



| Pos | Series | Spline Data | Hub Dia | * to End of Hub | End Fitting Part Number |
|--|--------|-------------|---------|-----------------|--------------------------------|
| RTLO-14713, RTLO-14713A, RTLO-14718, RTLO-14718B | | | | | |
| 1 | 1810 | 2.750-10 | 3.750 | 4.062 | CF 6.5-1-2311 |
| 1 | 1810 | 2.750-10 | 3.750 | 4.062 | CF 6.5-1-2361X |
| 1 | SPL140 | 2.750-10 | 3.750 | 6.570 | EY 140-4-81-1 |
| 1 | SPL140 | 2.750-10 | 3.750 | 6.570 | EY 140-4-91-1X |
| 1 | SPL170 | 2.750-10 | 3.750 | 5.850 | EY 170-4-511-1 |
| 1 | SPL170 | 2.750-10 | 3.750 | 5.850 | EY 170-4-521-1X |
| 1 | SPL250 | 2.750-10 | 3.750 | 6.297 | EY 250-4-231-1 |
| 1 | SPL250 | 2.750-10 | 3.750 | 6.297 | EY 250-4-241-1X |
| 1 | 1710 | 2.750-10 | 3.750 | 5.750 | EY 6-4-6821 |
| 1 | 1710 | 2.750-10 | 3.750 | 5.750 | EY 6-4-6821-1 |
| 1 | 1710 | 2.750-10 | 3.750 | 5.750 | EY 6-4-6931-1X |
| 1 | 1710 | 2.750-10 | 3.750 | 5.750 | EY 6-4-6931X |
| 1 | 1760 | 2.750-10 | 3.750 | 5.969 | EY 6.3-4-711 |
| 1 | 1760 | 2.750-10 | 3.750 | 5.969 | EY 6.3-4-711-1 |
| 1 | 1760 | 2.750-10 | 3.750 | 5.969 | EY 6.3-4-791-1X |
| 1 | 1760 | 2.750-10 | 3.750 | 5.969 | EY 6.3-4-791X |
| 1 | 1810 | 2.750-10 | 3.750 | 6.062 | EY 6.5-4-3491 |
| 1 | 1810 | 2.750-10 | 3.750 | 6.062 | EY 6.5-4-3491-1 |
| 1 | 1810 | 2.750-10 | 3.750 | 6.062 | EY 6.5-4-3561-1X |
| 1 | 1810 | 2.750-10 | 3.750 | 6.062 | EY 6.5-4-3561X |
| RTLO-14918A | | | | | |
| 1 | SPL140 | 2.794-54 | .000 | 6.320 | EY 140-4-201-1 |
| 1 | SPL170 | 2.794-54 | .000 | 5.600 | EY 170-4-561-1 |
| | | | | | <i>Hub diameter not ground</i> |
| 1 | SPL250 | 2.794-54 | .000 | 5.703 | EY 250-4-271-1 |
| | | | | | <i>Hub diameter not ground</i> |
| 1 | 1710 | 2.794-54 | .000 | 5.625 | EY 6-4-9231 |
| 1 | 1710 | 2.794-54 | .000 | 5.625 | EY 6-4-9231-1 |
| 1 | 1760 | 2.794-54 | .000 | 5.625 | EY 6.3-4-1681 |
| | | | | | <i>Hub diameter not ground</i> |
| 1 | 1760 | 2.794-54 | .000 | 5.625 | EY 6.3-4-1681-1 |
| | | | | | <i>Hub diameter not ground</i> |
| 1 | 1810 | 2.794-54 | .000 | 5.625 | EY 6.5-4-4631 |
| | | | | | <i>Hub diameter not ground</i> |
| 1 | 1810 | 2.794-54 | .000 | 5.625 | EY 6.5-4-4631-1 |
| | | | | | <i>Hub diameter not ground</i> |
| RTLO-15610B, RTLO-16609B, RTLO-16610B, RTLO-16613B, RTLO-16618, RTLO-16618A | | | | | |
| 1 | 1810 | 2.750-10 | 3.750 | 4.062 | CF 6.5-1-2311 |
| 1 | 1810 | 2.750-10 | 3.750 | 4.062 | CF 6.5-1-2361X |
| 1 | SPL140 | 2.750-10 | 3.750 | 6.570 | EY 140-4-81-1 |
| 1 | SPL140 | 2.750-10 | 3.750 | 6.570 | EY 140-4-91-1X |
| 1 | SPL170 | 2.750-10 | 3.750 | 5.850 | EY 170-4-511-1 |
| 1 | SPL170 | 2.750-10 | 3.750 | 5.850 | EY 170-4-521-1X |
| 1 | SPL250 | 2.750-10 | 3.750 | 6.297 | EY 250-4-231-1 |
| 1 | SPL250 | 2.750-10 | 3.750 | 6.297 | EY 250-4-241-1X |
| 1 | 1710 | 2.750-10 | 3.750 | 5.750 | EY 6-4-6821 |
| 1 | 1710 | 2.750-10 | 3.750 | 5.750 | EY 6-4-6821-1 |
| 1 | 1710 | 2.750-10 | 3.750 | 5.750 | EY 6-4-6931-1X |
| 1 | 1710 | 2.750-10 | 3.750 | 5.750 | EY 6-4-6931X |
| 1 | 1760 | 2.750-10 | 3.750 | 5.969 | EY 6.3-4-711 |
| 1 | 1760 | 2.750-10 | 3.750 | 5.969 | EY 6.3-4-711-1 |
| 1 | 1760 | 2.750-10 | 3.750 | 5.969 | EY 6.3-4-791-1X |
| 1 | 1760 | 2.750-10 | 3.750 | 5.969 | EY 6.3-4-791X |
| 1 | 1810 | 2.750-10 | 3.750 | 6.062 | EY 6.5-4-3491 |
| 1 | 1810 | 2.750-10 | 3.750 | 6.062 | EY 6.5-4-3491-1 |
| 1 | 1810 | 2.750-10 | 3.750 | 6.062 | EY 6.5-4-3561-1X |
| 1 | 1810 | 2.750-10 | 3.750 | 6.062 | EY 6.5-4-3561X |

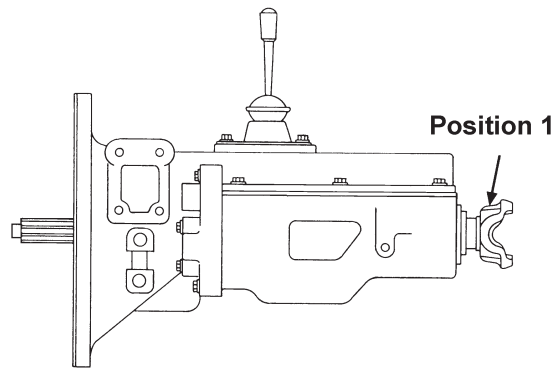
| Pos | Series | Spline Data | Hub Dia | * to End of Hub | End Fitting Part Number |
|---|--------|-------------|---------|-----------------|--------------------------------|
| RTLO-16713 | | | | | |
| 1 | 1810 | 2.750-10 | 3.750 | 4.062 | CF 6.5-1-2311 |
| 1 | 1810 | 2.750-10 | 3.750 | 4.062 | CF 6.5-1-2361X |
| 1 | SPL140 | 2.750-10 | 3.750 | 6.570 | EY 140-4-81-1 |
| 1 | SPL140 | 2.750-10 | 3.750 | 6.570 | EY 140-4-91-1X |
| 1 | SPL170 | 2.750-10 | 3.750 | 5.850 | EY 170-4-521-1X |
| 1 | 1710 | 2.750-10 | 3.750 | 5.750 | EY 6-4-6821 |
| 1 | 1710 | 2.750-10 | 3.750 | 5.750 | EY 6-4-6821-1 |
| 1 | 1710 | 2.750-10 | 3.750 | 5.750 | EY 6-4-6931-1X |
| 1 | 1710 | 2.750-10 | 3.750 | 5.750 | EY 6-4-6931X |
| 1 | 1760 | 2.750-10 | 3.750 | 5.969 | EY 6.3-4-711 |
| 1 | 1760 | 2.750-10 | 3.750 | 5.969 | EY 6.3-4-711-1 |
| 1 | 1760 | 2.750-10 | 3.750 | 5.969 | EY 6.3-4-791-1X |
| 1 | 1760 | 2.750-10 | 3.750 | 5.969 | EY 6.3-4-791X |
| 1 | 1810 | 2.750-10 | 3.750 | 6.062 | EY 6.5-4-3491 |
| 1 | 1810 | 2.750-10 | 3.750 | 6.062 | EY 6.5-4-3491-1 |
| 1 | 1810 | 2.750-10 | 3.750 | 6.062 | EY 6.5-4-3561-1X |
| 1 | 1810 | 2.750-10 | 3.750 | 6.062 | EY 6.5-4-3561X |
| RTLO-16713A, RTLO-16718, RTLO-16718B | | | | | |
| 1 | 1810 | 2.750-10 | 3.750 | 4.062 | CF 6.5-1-2311 |
| 1 | 1810 | 2.750-10 | 3.750 | 4.062 | CF 6.5-1-2361X |
| 1 | SPL140 | 2.750-10 | 3.750 | 6.570 | EY 140-4-81-1 |
| 1 | SPL140 | 2.750-10 | 3.750 | 6.570 | EY 140-4-91-1X |
| 1 | SPL170 | 2.750-10 | 3.750 | 5.850 | EY 170-4-511-1 |
| 1 | SPL170 | 2.750-10 | 3.750 | 5.850 | EY 170-4-521-1X |
| 1 | SPL250 | 2.750-10 | 3.750 | 6.297 | EY 250-4-231-1 |
| 1 | SPL250 | 2.750-10 | 3.750 | 6.297 | EY 250-4-241-1X |
| 1 | 1710 | 2.750-10 | 3.750 | 5.750 | EY 6-4-6821 |
| 1 | 1710 | 2.750-10 | 3.750 | 5.750 | EY 6-4-6821-1 |
| 1 | 1710 | 2.750-10 | 3.750 | 5.750 | EY 6-4-6931-1X |
| 1 | 1710 | 2.750-10 | 3.750 | 5.750 | EY 6-4-6931X |
| 1 | 1760 | 2.750-10 | 3.750 | 5.969 | EY 6.3-4-711 |
| 1 | 1760 | 2.750-10 | 3.750 | 5.969 | EY 6.3-4-711-1 |
| 1 | 1760 | 2.750-10 | 3.750 | 5.969 | EY 6.3-4-791-1X |
| 1 | 1760 | 2.750-10 | 3.750 | 5.969 | EY 6.3-4-791X |
| 1 | 1810 | 2.750-10 | 3.750 | 6.062 | EY 6.5-4-3491 |
| 1 | 1810 | 2.750-10 | 3.750 | 6.062 | EY 6.5-4-3491-1 |
| 1 | 1810 | 2.750-10 | 3.750 | 6.062 | EY 6.5-4-3561-1X |
| 1 | 1810 | 2.750-10 | 3.750 | 6.062 | EY 6.5-4-3561X |
| RTLO-167188 | | | | | |
| 1 | SPL170 | 2.750-10 | 3.750 | 5.850 | EY 170-4-521-1X |
| RTLO-16913 | | | | | |
| 1 | SPL140 | 2.794-54 | .000 | 6.320 | EY 140-4-201-1 |
| 1 | SPL170 | 2.794-54 | .000 | 5.600 | EY 170-4-561-1 |
| | | | | | <i>Hub diameter not ground</i> |
| 1 | SPL250 | 2.794-54 | .000 | 5.703 | EY 250-4-271-1 |
| | | | | | <i>Hub diameter not ground</i> |
| 1 | 1710 | 2.794-54 | .000 | 5.625 | EY 6-4-9231 |
| 1 | 1760 | 2.794-54 | .000 | 5.625 | EY 6.3-4-1681 |
| | | | | | <i>Hub diameter not ground</i> |
| 1 | 1760 | 2.794-54 | .000 | 5.625 | EY 6.3-4-1681-1 |
| | | | | | <i>Hub diameter not ground</i> |
| 1 | 1810 | 2.794-54 | .000 | 5.625 | EY 6.5-4-4631 |
| | | | | | <i>Hub diameter not ground</i> |
| 1 | 1810 | 2.794-54 | .000 | 5.625 | EY 6.5-4-4631-1 |
| | | | | | <i>Hub diameter not ground</i> |

*C/L to End of Hub for EY (End Yoke); Flange Face to End of Hub for CF (Companion Flange)

■ Hub machined for speedometer gear



Important: See Safety Information in General Information Section (J300P-GI)



| Pos | Series | Spline Data | Hub Dia | * to End of Hub | End Fitting Part Number |
|-----|--------|-------------|---------|-----------------|-------------------------|
|-----|--------|-------------|---------|-----------------|-------------------------|

RTLO-16918

| | | | | | |
|---|--------|----------|------|-------|---|
| 1 | SPL140 | 2.794-54 | .000 | 6.320 | EY 140-4-201-1 |
| 1 | SPL170 | 2.794-54 | .000 | 5.600 | EY 170-4-561-1 <i>Hub diameter not ground</i> |
| 1 | 1710 | 2.794-54 | .000 | 5.625 | EY 6-4-9231 |
| 1 | 1710 | 2.794-54 | .000 | 5.625 | EY 6-4-9231-1 |
| 1 | 1760 | 2.794-54 | .000 | 5.625 | EY 6.3-4-1681 <i>Hub diameter not ground</i> |
| 1 | 1760 | 2.794-54 | .000 | 5.625 | EY 6.3-4-1681-1 <i>Hub diameter not ground</i> |
| 1 | 1810 | 2.794-54 | .000 | 5.625 | EY 6.5-4-4631 <i>Hub diameter not ground</i> |
| 1 | 1810 | 2.794-54 | .000 | 5.625 | EY 6.5-4-4631-1 <i>Hub diameter not ground</i> |

RTLO-18718, RTLO-18718B

| | | | | | |
|---|--------|----------|-------|-------|------------------|
| 1 | 1810 | 2.750-10 | 3.750 | 4.062 | CF 6.5-1-2311 |
| 1 | 1810 | 2.750-10 | 3.750 | 4.062 | CF 6.5-1-2361X |
| 1 | SPL140 | 2.750-10 | 3.750 | 6.570 | EY 140-4-81-1 |
| 1 | SPL140 | 2.750-10 | 3.750 | 6.570 | EY 140-4-91-1X |
| 1 | SPL170 | 2.750-10 | 3.750 | 5.850 | EY 170-4-511-1 |
| 1 | SPL170 | 2.750-10 | 3.750 | 5.850 | EY 170-4-521-1X |
| 1 | SPL250 | 2.750-10 | 3.750 | 6.297 | EY 250-4-231-1 |
| 1 | SPL250 | 2.750-10 | 3.750 | 6.297 | EY 250-4-241-1X |
| 1 | 1710 | 2.750-10 | 3.750 | 5.750 | EY 6-4-6821 |
| 1 | 1710 | 2.750-10 | 3.750 | 5.750 | EY 6-4-6821-1 |
| 1 | 1710 | 2.750-10 | 3.750 | 5.750 | EY 6-4-6931-1X |
| 1 | 1710 | 2.750-10 | 3.750 | 5.750 | EY 6-4-6931X |
| 1 | 1760 | 2.750-10 | 3.750 | 5.969 | EY 6.3-4-711 |
| 1 | 1760 | 2.750-10 | 3.750 | 5.969 | EY 6.3-4-711-1 |
| 1 | 1760 | 2.750-10 | 3.750 | 5.969 | EY 6.3-4-791-1X |
| 1 | 1760 | 2.750-10 | 3.750 | 5.969 | EY 6.3-4-791X |
| 1 | 1810 | 2.750-10 | 3.750 | 6.062 | EY 6.5-4-3491 |
| 1 | 1810 | 2.750-10 | 3.750 | 6.062 | EY 6.5-4-3491-1 |
| 1 | 1810 | 2.750-10 | 3.750 | 6.062 | EY 6.5-4-3561-1X |
| 1 | 1810 | 2.750-10 | 3.750 | 6.062 | EY 6.5-4-3561X |

RTLO-18913, RTLO-18918, RTLO-20918

| | | | | | |
|---|--------|----------|------|-------|---|
| 1 | SPL140 | 2.794-54 | .000 | 6.320 | EY 140-4-201-1 |
| 1 | SPL170 | 2.794-54 | .000 | 5.600 | EY 170-4-561-1 <i>Hub diameter not ground</i> |
| 1 | 1710 | 2.794-54 | .000 | 5.625 | EY 6-4-9231 |
| 1 | 1710 | 2.794-54 | .000 | 5.625 | EY 6-4-9231-1 |
| 1 | 1760 | 2.794-54 | .000 | 5.625 | EY 6.3-4-1681 <i>Hub diameter not ground</i> |
| 1 | 1760 | 2.794-54 | .000 | 5.625 | EY 6.3-4-1681-1 <i>Hub diameter not ground</i> |

| Pos | Series | Spline Data | Hub Dia | * to End of Hub | End Fitting Part Number |
|-----|--------|-------------|---------|-----------------|-------------------------|
|-----|--------|-------------|---------|-----------------|-------------------------|

RTLO-18913, RTLO-18918, RTLO-20918 (Continued)

| | | | | | |
|---|------|----------|------|-------|---|
| 1 | 1810 | 2.794-54 | .000 | 5.625 | EY 6.5-4-4631 <i>Hub diameter not ground</i> |
| 1 | 1810 | 2.794-54 | .000 | 5.625 | EY 6.5-4-4631-1 <i>Hub diameter not ground</i> |

RTO-910, RTO-913, RTO-915

| | | | | | |
|---|--------|----------|-------|-------|-------------------|
| 1 | 1710 | 2.500-10 | 3.750 | 3.625 | CF 6-1-5541 |
| 1 | 1710 | 2.500-10 | 3.750 | 3.625 | CF 6-1-5651X |
| 1 | 1810 | 2.500-10 | 3.750 | 3.625 | CF 6.5-1-2271 |
| 1 | 1810 | 2.500-10 | 3.750 | 3.625 | CF 6.5-1-2351X |
| 1 | SPL140 | 2.500-10 | 3.750 | 5.960 | EY 140-4-41-1 |
| 1 | SPL140 | 2.500-10 | 3.750 | 5.960 | EY 140-4-51-1X |
| 1 | SPL170 | 2.500-10 | 3.750 | 5.750 | EY 170-4-471-1■ |
| 1 | SPL170 | 2.500-10 | 3.750 | 5.750 | EY 170-4-481-1X■ |
| 1 | SPL250 | 2.500-10 | 3.750 | 6.062 | EY 250-4-191-1■ |
| 1 | SPL250 | 2.500-10 | 3.750 | 6.062 | EY 250-4-201-1X■ |
| 1 | 1610 | 2.500-10 | 3.750 | 6.125 | EY 5-4-4971■ |
| 1 | 1710 | 2.500-10 | 3.750 | 5.625 | EY 6-4-6611■ |
| 1 | 1710 | 2.500-10 | 3.750 | 5.625 | EY 6-4-6611-1■ |
| 1 | 1710 | 2.500-10 | 3.750 | 5.625 | EY 6-4-6921-1X■ |
| 1 | 1710 | 2.500-10 | 3.750 | 5.625 | EY 6-4-6921X■ |
| 1 | 1760 | 2.500-10 | 3.750 | 6.000 | EY 6.3-4-651■ |
| 1 | 1760 | 2.500-10 | 3.750 | 6.031 | EY 6.3-4-651-1■ |
| 1 | 1760 | 2.500-10 | 3.750 | 6.031 | EY 6.3-4-781-1X■ |
| 1 | 1760 | 2.500-10 | 3.750 | 6.000 | EY 6.3-4-781X■ |
| 1 | 1810 | 2.500-10 | 3.750 | 5.875 | EY 6.5-4-3451■ |
| 1 | 1810 | 2.500-10 | 3.750 | 5.875 | EY 6.5-4-3451-1■ |
| 1 | 1810 | 2.500-10 | 3.750 | 5.875 | EY 6.5-4-3551-1X■ |
| 1 | 1810 | 2.500-10 | 3.750 | 5.875 | EY 6.5-4-3551X■ |

RTO-958LL

| | | | | | |
|---|--------|----------|-------|-------|------------------|
| 1 | 1710 | 2.500-10 | 3.750 | 3.625 | CF 6-1-5541 |
| 1 | 1710 | 2.500-10 | 3.750 | 3.625 | CF 6-1-5651X |
| 1 | SPL140 | 2.500-10 | 3.750 | 5.960 | EY 140-4-41-1 |
| 1 | SPL140 | 2.500-10 | 3.750 | 5.960 | EY 140-4-51-1X |
| 1 | SPL170 | 2.500-10 | 3.750 | 5.750 | EY 170-4-471-1■ |
| 1 | SPL170 | 2.500-10 | 3.750 | 5.750 | EY 170-4-481-1X■ |
| 1 | SPL250 | 2.500-10 | 3.750 | 6.062 | EY 250-4-191-1■ |
| 1 | SPL250 | 2.500-10 | 3.750 | 6.062 | EY 250-4-201-1X■ |
| 1 | 1710 | 2.500-10 | 3.750 | 5.625 | EY 6-4-6921-1X■ |
| 1 | 1710 | 2.500-10 | 3.750 | 5.625 | EY 6-4-6921X■ |
| 1 | 1760 | 2.500-10 | 3.750 | 6.000 | EY 6.3-4-651■ |
| 1 | 1760 | 2.500-10 | 3.750 | 6.031 | EY 6.3-4-651-1■ |
| 1 | 1760 | 2.500-10 | 3.750 | 6.031 | EY 6.3-4-781-1X■ |
| 1 | 1760 | 2.500-10 | 3.750 | 6.000 | EY 6.3-4-781X■ |

*C/L to End of Hub for EY (End Yoke); Flange Face to End of Hub for CF (Companion Flange)

■ Hub machined for speedometer gear



| Pos | Series | Spline Data | Hub Dia | * to End of Hub | End Fitting Part Number |
|----------------------------------|--------|-------------|---------|-----------------|--|
| RTO-958LL (Continued) | | | | | |
| 1 | 1810 | 2.500-10 | 3.750 | 5.875 | EY 6.5-4-3451■ |
| 1 | 1810 | 2.500-10 | 3.750 | 5.875 | EY 6.5-4-3451-1■ |
| 1 | 1810 | 2.500-10 | 3.750 | 5.875 | EY 6.5-4-3551-1X■ |
| 1 | 1810 | 2.500-10 | 3.750 | 5.875 | EY 6.5-4-3551X■ |
| RTO-1110 | | | | | |
| 1 | 1710 | 2.500-10 | 3.750 | 3.625 | CF 6-1-5651X |
| 1 | 1810 | 2.500-10 | 3.750 | 3.625 | CF 6.5-1-2271 |
| 1 | 1810 | 2.500-10 | 3.750 | 3.625 | CF 6.5-1-2351X |
| 1 | 1610 | 2.500-10 | 3.750 | 6.125 | EY 5-4-4971■ |
| 1 | 1710 | 2.500-10 | 3.750 | 5.625 | EY 6-4-6611■ |
| 1 | 1710 | 2.500-10 | 3.750 | 5.625 | EY 6-4-6611-1■ |
| 1 | 1710 | 2.500-10 | 3.750 | 5.625 | EY 6-4-6921-1X■ |
| 1 | 1710 | 2.500-10 | 3.750 | 5.625 | EY 6-4-6921X■ |
| 1 | 1760 | 2.500-10 | 3.750 | 6.000 | EY 6.3-4-651■ |
| 1 | 1760 | 2.500-10 | 3.750 | 6.031 | EY 6.3-4-651-1■ |
| 1 | 1760 | 2.500-10 | 3.750 | 6.031 | EY 6.3-4-781-1X■ |
| 1 | 1760 | 2.500-10 | 3.750 | 6.000 | EY 6.3-4-781X■ |
| 1 | 1810 | 2.500-10 | 3.750 | 5.875 | EY 6.5-4-3451■ |
| 1 | 1810 | 2.500-10 | 3.750 | 5.875 | EY 6.5-4-3451-1■ |
| 1 | 1810 | 2.500-10 | 3.750 | 5.875 | EY 6.5-4-3551-1X■ |
| 1 | 1810 | 2.500-10 | 3.750 | 5.875 | EY 6.5-4-3551X■ |
| RTO-1157 | | | | | |
| 1 | 1810 | 2.750-10 | 3.750 | 4.062 | CF 6.5-1-2361X <i>Can be used w/brake</i> |
| 1 | SPL140 | 2.750-10 | 3.750 | 6.570 | EY 140-4-81-1 |
| 1 | SPL140 | 2.750-10 | 3.750 | 6.570 | EY 140-4-91-1X <i>Can be used w/brake</i> |
| 1 | SPL170 | 2.750-10 | 3.750 | 5.850 | EY 170-4-511-1 <i>Can be used w/brake</i> |
| 1 | SPL170 | 2.750-10 | 3.750 | 5.850 | EY 170-4-521-1X <i>Can be used w/brake</i> |
| 1 | SPL250 | 2.750-10 | 3.750 | 6.297 | EY 250-4-231-1 <i>Can be used w/brake</i> |
| 1 | SPL250 | 2.750-10 | 3.750 | 6.297 | EY 250-4-241-1X <i>Can be used w/brake</i> |
| 1 | 1710 | 2.750-10 | 3.750 | 5.750 | EY 6-4-6931-1X <i>Can be used w/brake</i> |
| 1 | 1710 | 2.750-10 | 3.750 | 5.750 | EY 6-4-6931X <i>Can be used w/brake</i> |
| 1 | 1760 | 2.750-10 | 3.750 | 5.969 | EY 6.3-4-711 <i>Can be used w/brake</i> |
| 1 | 1760 | 2.750-10 | 3.750 | 5.969 | EY 6.3-4-711-1 <i>Can be used w/brake</i> |
| 1 | 1760 | 2.750-10 | 3.750 | 5.969 | EY 6.3-4-791-1X <i>Can be used w/brake</i> |
| 1 | 1760 | 2.750-10 | 3.750 | 5.969 | EY 6.3-4-791X <i>Can be used w/brake</i> |
| 1 | 1810 | 2.750-10 | 3.750 | 6.062 | EY 6.5-4-3561-1X <i>Can be used w/brake</i> |
| 1 | 1810 | 2.750-10 | 3.750 | 6.062 | EY 6.5-4-3561X <i>Can be used w/brake</i> |
| RTO-1157-DL, RTO-1157-DLL | | | | | |
| 1 | 1810 | 2.750-10 | 3.750 | 4.062 | CF 6.5-1-2311 |
| 1 | 1810 | 2.750-10 | 3.750 | 4.062 | CF 6.5-1-2361X |
| 1 | SPL170 | 2.750-10 | 3.750 | 5.850 | EY 170-4-511-1 |
| 1 | SPL170 | 2.750-10 | 3.750 | 5.850 | EY 170-4-521-1X |
| 1 | SPL250 | 2.750-10 | 3.750 | 6.297 | EY 250-4-231-1 |
| 1 | SPL250 | 2.750-10 | 3.750 | 6.297 | EY 250-4-241-1X |
| 1 | 1710 | 2.750-10 | 3.750 | 5.750 | EY 6-4-6821 |
| 1 | 1710 | 2.750-10 | 3.750 | 5.750 | EY 6-4-6821-1 |

| Pos | Series | Spline Data | Hub Dia | * to End of Hub | End Fitting Part Number |
|---|--------|-------------|---------|-----------------|-------------------------|
| RTO-1157-DL, RTO-1157-DLL (Continued) | | | | | |
| 1 | 1710 | 2.750-10 | 3.750 | 5.750 | EY 6-4-6931-1X |
| 1 | 1710 | 2.750-10 | 3.750 | 5.750 | EY 6-4-6931X |
| 1 | 1760 | 2.750-10 | 3.750 | 5.969 | EY 6.3-4-711 |
| 1 | 1760 | 2.750-10 | 3.750 | 5.969 | EY 6.3-4-711-1 |
| 1 | 1760 | 2.750-10 | 3.750 | 5.969 | EY 6.3-4-791-1X |
| 1 | 1760 | 2.750-10 | 3.750 | 5.969 | EY 6.3-4-791X |
| 1 | 1810 | 2.750-10 | 3.750 | 6.062 | EY 6.5-4-3491 |
| 1 | 1810 | 2.750-10 | 3.750 | 6.062 | EY 6.5-4-3491-1 |
| 1 | 1810 | 2.750-10 | 3.750 | 6.062 | EY 6.5-4-3561-1X |
| 1 | 1810 | 2.750-10 | 3.750 | 6.062 | EY 6.5-4-3561X |
| RTO-1213, RTO-1258LL, RTO-2008 | | | | | |
| 1 | 1810 | 2.750-10 | 3.750 | 4.062 | CF 6.5-1-2311 |
| 1 | 1810 | 2.750-10 | 3.750 | 4.062 | CF 6.5-1-2361X |
| 1 | SPL140 | 2.750-10 | 3.750 | 6.570 | EY 140-4-81-1 |
| 1 | SPL140 | 2.750-10 | 3.750 | 6.570 | EY 140-4-91-1X |
| 1 | SPL170 | 2.750-10 | 3.750 | 5.850 | EY 170-4-511-1 |
| 1 | SPL170 | 2.750-10 | 3.750 | 5.850 | EY 170-4-521-1X |
| 1 | SPL250 | 2.750-10 | 3.750 | 6.297 | EY 250-4-231-1 |
| 1 | SPL250 | 2.750-10 | 3.750 | 6.297 | EY 250-4-241-1X |
| 1 | 1710 | 2.750-10 | 3.750 | 5.750 | EY 6-4-6821 |
| 1 | 1710 | 2.750-10 | 3.750 | 5.750 | EY 6-4-6821-1 |
| 1 | 1710 | 2.750-10 | 3.750 | 5.750 | EY 6-4-6931-1X |
| 1 | 1710 | 2.750-10 | 3.750 | 5.750 | EY 6-4-6931X |
| 1 | 1760 | 2.750-10 | 3.750 | 5.969 | EY 6.3-4-711 |
| 1 | 1760 | 2.750-10 | 3.750 | 5.969 | EY 6.3-4-711-1 |
| 1 | 1760 | 2.750-10 | 3.750 | 5.969 | EY 6.3-4-791-1X |
| 1 | 1760 | 2.750-10 | 3.750 | 5.969 | EY 6.3-4-791X |
| 1 | 1810 | 2.750-10 | 3.750 | 6.062 | EY 6.5-4-3491-1 |
| 1 | 1810 | 2.750-10 | 3.750 | 6.062 | EY 6.5-4-3561-1X |
| 1 | 1810 | 2.750-10 | 3.750 | 6.062 | EY 6.5-4-3561X |
| RTO-6610 | | | | | |
| 1 | 1610 | 2.250-10 | 3.500 | 3.625 | CF 5-1-6331 |
| 1 | 1710 | 2.250-10 | 3.500 | 3.688 | CF 6-1-951 |
| 1 | 1810 | 2.250-10 | 3.500 | 3.688 | CF 6.5-1-151 |
| 1 | SPL90 | 2.250-10 | 3.500 | 5.219 | EY 90-4-151-1X |
| 1 | SPL90 | 2.250-10 | 3.500 | 5.219 | EY 90-4-401-1 |
| 1 | 1550 | 2.250-10 | 3.500 | 5.125 | EY 4-4-3501-1 |
| 1 | 1610 | 2.250-10 | 3.500 | 5.750 | EY 5-4-4961 |
| 1 | 1610 | 2.250-10 | 3.500 | 5.750 | EY 5-4-4961-1 |
| 1 | 1610 | 2.250-10 | 3.750 | 5.750 | EY 5-4-7381-1 |
| 1 | 1610 | 2.250-10 | 3.750 | 5.750 | EY 5-4-7391-1X |
| 1 | 1710 | 2.250-10 | 3.500 | 5.250 | EY 6-4-6861 |
| 1 | 1710 | 2.250-10 | 3.500 | 5.250 | EY 6-4-6861-1 |
| 1 | 1710 | 2.250-10 | 3.500 | 5.250 | EY 6-4-6901-1X |
| 1 | 1710 | 2.250-10 | 3.750 | 5.250 | EY 6-4-7371-1 |
| 1 | 1710 | 2.250-10 | 3.750 | 5.250 | EY 6-4-7381-1X |
| 1 | 1760 | 2.250-10 | 3.750 | 5.625 | EY 6.3-4-1091-1 |
| 1 | 1760 | 2.250-10 | 3.750 | 5.625 | EY 6.3-4-1101-1X |
| 1 | 1760 | 2.250-10 | 3.500 | 5.656 | EY 6.3-4-701-1 |
| 1 | 1760 | 2.250-10 | 3.500 | 5.656 | EY 6.3-4-761-1X |
| 1 | 1810 | 2.250-10 | 3.500 | 5.844 | EY 6.5-4-2021 |
| RTO-6613, RTO-9509A, RTO-9509B, RTO-9513 | | | | | |
| 1 | 1710 | 2.500-10 | 3.750 | 3.625 | CF 6-1-5541 |
| 1 | 1710 | 2.500-10 | 3.750 | 3.625 | CF 6-1-5651X |
| 1 | 1810 | 2.500-10 | 3.750 | 3.625 | CF 6.5-1-2271 |

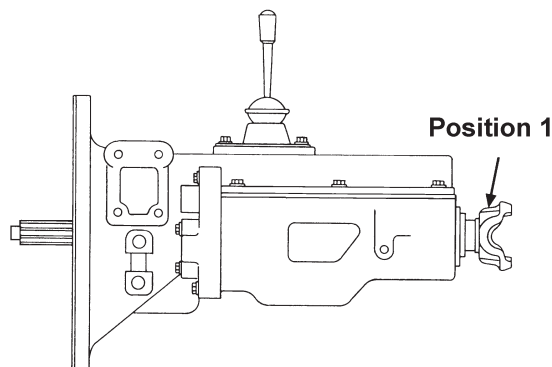
Continued on next page

*C/L to End of Hub for EY (End Yoke); Flange Face to End of Hub for CF (Companion Flange)

■ Hub machined for speedometer gear



Important: See Safety Information in General Information Section (J300P-GI)



| Pos | Series | Spline Data | Hub Dia | * to End of Hub | End Fitting Part Number |
|-----|--------|-------------|---------|-----------------|-------------------------|
|-----|--------|-------------|---------|-----------------|-------------------------|

RTO-6613, RTO-9509A, RTO-9509B, RTO-9513 (Continued)

| | | | | | |
|---|--------|----------|-------|-------|-------------------|
| 1 | 1810 | 2.500-10 | 3.750 | 3.625 | CF 6.5-1-2351X |
| 1 | SPL140 | 2.500-10 | 3.750 | 5.960 | EY 140-4-41-1 |
| 1 | SPL140 | 2.500-10 | 3.750 | 5.960 | EY 140-4-51-1X |
| 1 | SPL170 | 2.500-10 | 3.750 | 5.750 | EY 170-4-471-1■ |
| 1 | SPL170 | 2.500-10 | 3.750 | 5.750 | EY 170-4-481-1X■ |
| 1 | SPL250 | 2.500-10 | 3.750 | 6.062 | EY 250-4-191-1■ |
| 1 | SPL250 | 2.500-10 | 3.750 | 6.062 | EY 250-4-201-1X■ |
| 1 | 1610 | 2.500-10 | 3.750 | 6.125 | EY 5-4-4971■ |
| 1 | 1710 | 2.500-10 | 3.750 | 5.625 | EY 6-4-6611■ |
| 1 | 1710 | 2.500-10 | 3.750 | 5.625 | EY 6-4-6611-1■ |
| 1 | 1710 | 2.500-10 | 3.750 | 5.625 | EY 6-4-6921-1X■ |
| 1 | 1710 | 2.500-10 | 3.750 | 5.625 | EY 6-4-6921X■ |
| 1 | 1760 | 2.500-10 | 3.750 | 6.000 | EY 6.3-4-651■ |
| 1 | 1760 | 2.500-10 | 3.750 | 6.031 | EY 6.3-4-651-1■ |
| 1 | 1760 | 2.500-10 | 3.750 | 6.031 | EY 6.3-4-781-1X■ |
| 1 | 1760 | 2.500-10 | 3.750 | 6.031 | EY 6.3-4-781X■ |
| 1 | 1760 | 2.500-10 | 3.750 | 6.000 | EY 6.3-4-781X■ |
| 1 | 1810 | 2.500-10 | 3.750 | 5.875 | EY 6.5-4-3451■ |
| 1 | 1810 | 2.500-10 | 3.750 | 5.875 | EY 6.5-4-3451-1■ |
| 1 | 1810 | 2.500-10 | 3.750 | 5.875 | EY 6.5-4-3551-1X■ |
| 1 | 1810 | 2.500-10 | 3.750 | 5.875 | EY 6.5-4-3551X■ |

RTO-11109

| | | | | | |
|---|--------|----------|-------|-------|------------------|
| 1 | 1810 | 2.750-10 | 3.750 | 4.062 | CF 6.5-1-2311 |
| 1 | 1810 | 2.750-10 | 3.750 | 4.062 | CF 6.5-1-2361X |
| 1 | SPL140 | 2.750-10 | 3.750 | 6.570 | EY 140-4-81-1 |
| 1 | SPL140 | 2.750-10 | 3.750 | 6.570 | EY 140-4-91-1X |
| 1 | SPL170 | 2.750-10 | 3.750 | 5.850 | EY 170-4-511-1 |
| 1 | SPL170 | 2.750-10 | 3.750 | 5.850 | EY 170-4-521-1X |
| 1 | SPL250 | 2.750-10 | 3.750 | 6.297 | EY 250-4-231-1 |
| 1 | SPL250 | 2.750-10 | 3.750 | 6.297 | EY 250-4-241-1X |
| 1 | 1710 | 2.750-10 | 3.750 | 5.750 | EY 6-4-6821 |
| 1 | 1710 | 2.750-10 | 3.750 | 5.750 | EY 6-4-6821-1 |
| 1 | 1710 | 2.750-10 | 3.750 | 5.750 | EY 6-4-6931-1X |
| 1 | 1710 | 2.750-10 | 3.750 | 5.750 | EY 6-4-6931X |
| 1 | 1760 | 2.750-10 | 3.750 | 5.969 | EY 6.3-4-711 |
| 1 | 1760 | 2.750-10 | 3.750 | 5.969 | EY 6.3-4-711-1 |
| 1 | 1760 | 2.750-10 | 3.750 | 5.969 | EY 6.3-4-791-1X |
| 1 | 1760 | 2.750-10 | 3.750 | 5.969 | EY 6.3-4-791X |
| 1 | 1810 | 2.750-10 | 3.750 | 6.062 | EY 6.5-4-3491 |
| 1 | 1810 | 2.750-10 | 3.750 | 6.062 | EY 6.5-4-3491-1 |
| 1 | 1810 | 2.750-10 | 3.750 | 6.062 | EY 6.5-4-3561-1X |
| 1 | 1810 | 2.750-10 | 3.750 | 6.062 | EY 6.5-4-3561X |

| Pos | Series | Spline Data | Hub Dia | * to End of Hub | End Fitting Part Number |
|-----|--------|-------------|---------|-----------------|-------------------------|
|-----|--------|-------------|---------|-----------------|-------------------------|

RTO-11509

| | | | | | |
|---|--------|----------|-------|-------|-------------------|
| 1 | 1710 | 2.500-10 | 3.750 | 3.625 | CF 6-1-5541 |
| 1 | 1710 | 2.500-10 | 3.750 | 3.625 | CF 6-1-5651X |
| 1 | 1810 | 2.500-10 | 3.750 | 3.625 | CF 6.5-1-2271 |
| 1 | 1810 | 2.500-10 | 3.750 | 3.625 | CF 6.5-1-2351X |
| 1 | SPL140 | 2.750-10 | 3.750 | 6.570 | EY 140-4-81-1 |
| 1 | SPL140 | 2.750-10 | 3.750 | 6.570 | EY 140-4-91-1X |
| 1 | 1610 | 2.500-10 | 3.750 | 6.125 | EY 5-4-4971■ |
| 1 | 1710 | 2.500-10 | 3.750 | 5.625 | EY 6-4-6611■ |
| 1 | 1710 | 2.500-10 | 3.750 | 5.625 | EY 6-4-6611-1■ |
| 1 | 1710 | 2.500-10 | 3.750 | 5.625 | EY 6-4-6921-1X■ |
| 1 | 1710 | 2.500-10 | 3.750 | 5.625 | EY 6-4-6921X■ |
| 1 | 1760 | 2.500-10 | 3.750 | 6.000 | EY 6.3-4-651■ |
| 1 | 1760 | 2.500-10 | 3.750 | 6.031 | EY 6.3-4-651-1■ |
| 1 | 1760 | 2.500-10 | 3.750 | 6.031 | EY 6.3-4-781-1X■ |
| 1 | 1760 | 2.500-10 | 3.750 | 6.000 | EY 6.3-4-781X■ |
| 1 | 1810 | 2.500-10 | 3.750 | 5.875 | EY 6.5-4-3451■ |
| 1 | 1810 | 2.500-10 | 3.750 | 5.875 | EY 6.5-4-3451-1■ |
| 1 | 1810 | 2.500-10 | 3.750 | 5.875 | EY 6.5-4-3551-1X■ |
| 1 | 1810 | 2.500-10 | 3.750 | 5.875 | EY 6.5-4-3551X■ |

RTO-11607-L, RTO-11607-LL, RTO-11607L, RTO-11607LL

| | | | | | |
|---|--------|----------|-------|-------|------------------|
| 1 | 1810 | 2.750-10 | 3.750 | 4.062 | CF 6.5-1-2311 |
| 1 | 1810 | 2.750-10 | 3.750 | 4.062 | CF 6.5-1-2361X |
| 1 | SPL140 | 2.750-10 | 3.750 | 6.570 | EY 140-4-81-1 |
| 1 | SPL140 | 2.750-10 | 3.750 | 6.570 | EY 140-4-91-1X |
| 1 | SPL170 | 2.750-10 | 3.750 | 5.850 | EY 170-4-511-1 |
| 1 | SPL170 | 2.750-10 | 3.750 | 5.850 | EY 170-4-521-1X |
| 1 | SPL250 | 2.750-10 | 3.750 | 6.297 | EY 250-4-231-1 |
| 1 | SPL250 | 2.750-10 | 3.750 | 6.297 | EY 250-4-241-1X |
| 1 | 1710 | 2.750-10 | 3.750 | 5.750 | EY 6-4-6821 |
| 1 | 1710 | 2.750-10 | 3.750 | 5.750 | EY 6-4-6821-1 |
| 1 | 1710 | 2.750-10 | 3.750 | 5.750 | EY 6-4-6931-1X |
| 1 | 1710 | 2.750-10 | 3.750 | 5.750 | EY 6-4-6931X |
| 1 | 1760 | 2.750-10 | 3.750 | 5.969 | EY 6.3-4-711 |
| 1 | 1760 | 2.750-10 | 3.750 | 5.969 | EY 6.3-4-711-1 |
| 1 | 1760 | 2.750-10 | 3.750 | 5.969 | EY 6.3-4-791-1X |
| 1 | 1760 | 2.750-10 | 3.750 | 5.969 | EY 6.3-4-791X |
| 1 | 1810 | 2.750-10 | 3.750 | 6.062 | EY 6.5-4-3491 |
| 1 | 1810 | 2.750-10 | 3.750 | 6.062 | EY 6.5-4-3491-1 |
| 1 | 1810 | 2.750-10 | 3.750 | 6.062 | EY 6.5-4-3561-1X |
| 1 | 1810 | 2.750-10 | 3.750 | 6.062 | EY 6.5-4-3561X |

*C/L to End of Hub for EY (End Yoke); Flange Face to End of Hub for CF (Companion Flange)

■ Hub machined for speedometer gear



| Pos | Series | Spline Data | Hub Dia | * to End of Hub | End Fitting Part Number |
|--------------------|--------|-------------|---------|-----------------|-------------------------|
| RTO-11608LL | | | | | |
| 1 | 1710 | 2.500-10 | 3.750 | 3.625 | CF 6-1-5541 |
| 1 | 1710 | 2.500-10 | 3.750 | 3.625 | CF 6-1-5651X |
| 1 | 1810 | 2.500-10 | 3.750 | 3.625 | CF 6.5-1-2271 |
| 1 | 1810 | 2.500-10 | 3.750 | 3.625 | CF 6.5-1-2351X |
| 1 | SPL140 | 2.500-10 | 3.750 | 5.960 | EY 140-4-41-1 |
| 1 | SPL140 | 2.500-10 | 3.750 | 5.960 | EY 140-4-51-1X |
| 1 | SPL170 | 2.500-10 | 3.750 | 5.750 | EY 170-4-481-1X■ |
| 1 | SPL250 | 2.500-10 | 3.750 | 6.062 | EY 250-4-201-1X■ |
| 1 | 1610 | 2.500-10 | 3.750 | 6.125 | EY 5-4-4971■ |
| 1 | 1710 | 2.500-10 | 3.750 | 5.625 | EY 6-4-6611■ |
| 1 | 1710 | 2.500-10 | 3.750 | 5.625 | EY 6-4-6611-1■ |
| 1 | 1710 | 2.500-10 | 3.750 | 5.625 | EY 6-4-6921-1X■ |
| 1 | 1710 | 2.500-10 | 3.750 | 5.625 | EY 6-4-6921X■ |
| 1 | 1760 | 2.500-10 | 3.750 | 6.000 | EY 6.3-4-651■ |
| 1 | 1760 | 2.500-10 | 3.750 | 6.031 | EY 6.3-4-651-1■ |
| 1 | 1760 | 2.500-10 | 3.750 | 6.031 | EY 6.3-4-781-1X■ |
| 1 | 1760 | 2.500-10 | 3.750 | 6.000 | EY 6.3-4-781X■ |
| 1 | 1810 | 2.500-10 | 3.750 | 5.875 | EY 6.5-4-3451■ |
| 1 | 1810 | 2.500-10 | 3.750 | 5.875 | EY 6.5-4-3451-1■ |
| 1 | 1810 | 2.500-10 | 3.750 | 5.875 | EY 6.5-4-3551-1X■ |
| 1 | 1810 | 2.500-10 | 3.750 | 5.875 | EY 6.5-4-3551X■ |

| RTO-11609, RTO-11610, RTO-11613 | | | | | |
|--|------|----------|-------|-------|-------------------|
| 1 | 1710 | 2.500-10 | 3.750 | 3.625 | CF 6-1-5541 |
| 1 | 1710 | 2.500-10 | 3.750 | 3.625 | CF 6-1-5651X |
| 1 | 1810 | 2.500-10 | 3.750 | 3.625 | CF 6.5-1-2271 |
| 1 | 1810 | 2.500-10 | 3.750 | 3.625 | CF 6.5-1-2351X |
| 1 | 1610 | 2.500-10 | 3.750 | 6.125 | EY 5-4-4971■ |
| 1 | 1710 | 2.500-10 | 3.750 | 5.625 | EY 6-4-6611■ |
| 1 | 1710 | 2.500-10 | 3.750 | 5.625 | EY 6-4-6611-1■ |
| 1 | 1710 | 2.500-10 | 3.750 | 5.625 | EY 6-4-6921-1X■ |
| 1 | 1710 | 2.500-10 | 3.750 | 5.625 | EY 6-4-6921X■ |
| 1 | 1760 | 2.500-10 | 3.750 | 6.000 | EY 6.3-4-651■ |
| 1 | 1760 | 2.500-10 | 3.750 | 6.031 | EY 6.3-4-651-1■ |
| 1 | 1760 | 2.500-10 | 3.750 | 6.031 | EY 6.3-4-781-1X■ |
| 1 | 1760 | 2.500-10 | 3.750 | 6.000 | EY 6.3-4-781X■ |
| 1 | 1810 | 2.500-10 | 3.750 | 5.875 | EY 6.5-4-3451■ |
| 1 | 1810 | 2.500-10 | 3.750 | 5.875 | EY 6.5-4-3451-1■ |
| 1 | 1810 | 2.500-10 | 3.750 | 5.875 | EY 6.5-4-3551-1X■ |
| 1 | 1810 | 2.500-10 | 3.750 | 5.875 | EY 6.5-4-3551X■ |

| RTO-11615 | | | | | |
|------------------|------|----------|-------|-------|-------------------|
| 1 | 1710 | 2.500-10 | 3.750 | 3.625 | CF 6-1-5541 |
| 1 | 1710 | 2.500-10 | 3.750 | 3.625 | CF 6-1-5651X |
| 1 | 1610 | 2.500-10 | 3.750 | 6.125 | EY 5-4-4971■ |
| 1 | 1710 | 2.500-10 | 3.750 | 5.625 | EY 6-4-6611■ |
| 1 | 1710 | 2.500-10 | 3.750 | 5.625 | EY 6-4-6611-1■ |
| 1 | 1710 | 2.500-10 | 3.750 | 5.625 | EY 6-4-6921-1X■ |
| 1 | 1710 | 2.500-10 | 3.750 | 5.625 | EY 6-4-6921X■ |
| 1 | 1760 | 2.500-10 | 3.750 | 6.000 | EY 6.3-4-651■ |
| 1 | 1760 | 2.500-10 | 3.750 | 6.031 | EY 6.3-4-651-1■ |
| 1 | 1760 | 2.500-10 | 3.750 | 6.031 | EY 6.3-4-781-1X■ |
| 1 | 1760 | 2.500-10 | 3.750 | 6.000 | EY 6.3-4-781X■ |
| 1 | 1810 | 2.500-10 | 3.750 | 5.875 | EY 6.5-4-3451■ |
| 1 | 1810 | 2.500-10 | 3.750 | 5.875 | EY 6.5-4-3451-1■ |
| 1 | 1810 | 2.500-10 | 3.750 | 5.875 | EY 6.5-4-3551-1X■ |
| 1 | 1810 | 2.500-10 | 3.750 | 5.875 | EY 6.5-4-3551X■ |

| Pos | Series | Spline Data | Hub Dia | * to End of Hub | End Fitting Part Number |
|------------------|--------|-------------|---------|-----------------|-------------------------|
| RTO-11618 | | | | | |
| 1 | 1710 | 2.500-10 | 3.750 | 3.625 | CF 6-1-5651X |
| 1 | SPL140 | 2.500-10 | 3.750 | 5.960 | EY 140-4-41-1 |
| 1 | SPL140 | 2.500-10 | 3.750 | 5.960 | EY 140-4-51-1X |
| 1 | SPL170 | 2.500-10 | 3.750 | 5.750 | EY 170-4-471-1■ |
| 1 | SPL170 | 2.500-10 | 3.750 | 5.750 | EY 170-4-481-1X■ |
| 1 | SPL250 | 2.500-10 | 3.750 | 6.062 | EY 250-4-191-1■ |
| 1 | SPL250 | 2.500-10 | 3.750 | 6.062 | EY 250-4-201-1X■ |
| 1 | 1710 | 2.500-10 | 3.750 | 5.625 | EY 6-4-6611■ |
| 1 | 1710 | 2.500-10 | 3.750 | 5.625 | EY 6-4-6611-1■ |
| 1 | 1710 | 2.500-10 | 3.750 | 5.625 | EY 6-4-6921-1X■ |
| 1 | 1710 | 2.500-10 | 3.750 | 5.625 | EY 6-4-6921X■ |
| 1 | 1760 | 2.500-10 | 3.750 | 6.000 | EY 6.3-4-651■ |
| 1 | 1760 | 2.500-10 | 3.750 | 6.031 | EY 6.3-4-651-1■ |
| 1 | 1760 | 2.500-10 | 3.750 | 6.031 | EY 6.3-4-781-1X■ |
| 1 | 1760 | 2.500-10 | 3.750 | 6.000 | EY 6.3-4-781X■ |
| 1 | 1810 | 2.500-10 | 3.750 | 5.875 | EY 6.5-4-3451■ |
| 1 | 1810 | 2.500-10 | 3.750 | 5.875 | EY 6.5-4-3451-1■ |
| 1 | 1810 | 2.500-10 | 3.750 | 5.875 | EY 6.5-4-3551-1X■ |
| 1 | 1810 | 2.500-10 | 3.750 | 5.875 | EY 6.5-4-3551X■ |

| RTO-11707L | | | | | |
|-------------------|--------|----------|-------|-------|------------------|
| 1 | SPL140 | 2.750-10 | 3.750 | 6.570 | EY 140-4-81-1 |
| 1 | SPL140 | 2.750-10 | 3.750 | 6.570 | EY 140-4-91-1X |
| 1 | SPL170 | 2.750-10 | 3.750 | 5.850 | EY 170-4-511-1 |
| 1 | SPL170 | 2.750-10 | 3.750 | 5.850 | EY 170-4-521-1X |
| 1 | SPL250 | 2.750-10 | 3.750 | 6.297 | EY 250-4-231-1 |
| 1 | SPL250 | 2.750-10 | 3.750 | 6.297 | EY 250-4-241-1X |
| 1 | 1710 | 2.750-10 | 3.750 | 5.750 | EY 6-4-6821 |
| 1 | 1710 | 2.750-10 | 3.750 | 5.750 | EY 6-4-6821-1 |
| 1 | 1710 | 2.750-10 | 3.750 | 5.750 | EY 6-4-6931-1X |
| 1 | 1710 | 2.750-10 | 3.750 | 5.750 | EY 6-4-6931X |
| 1 | 1760 | 2.750-10 | 3.750 | 5.969 | EY 6.3-4-711 |
| 1 | 1760 | 2.750-10 | 3.750 | 5.969 | EY 6.3-4-711-1 |
| 1 | 1760 | 2.750-10 | 3.750 | 5.969 | EY 6.3-4-791-1X |
| 1 | 1760 | 2.750-10 | 3.750 | 5.969 | EY 6.3-4-791X |
| 1 | 1810 | 2.750-10 | 3.750 | 6.062 | EY 6.5-4-3491 |
| 1 | 1810 | 2.750-10 | 3.750 | 6.062 | EY 6.5-4-3491-1 |
| 1 | 1810 | 2.750-10 | 3.750 | 6.062 | EY 6.5-4-3561-1X |
| 1 | 1810 | 2.750-10 | 3.750 | 6.062 | EY 6.5-4-3561X |

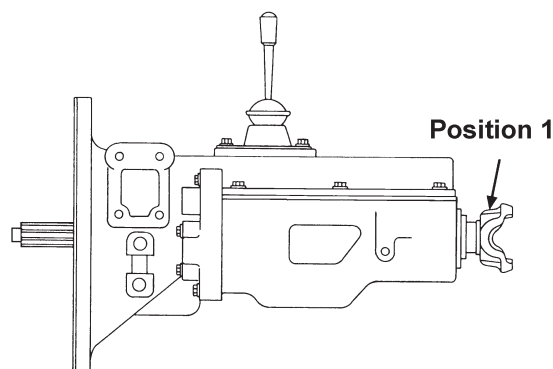
| RTO-11708L, RTO-11708LL | | | | | |
|--------------------------------|--------|----------|-------|-------|-------------------|
| 1 | 1710 | 2.500-10 | 3.750 | 3.625 | CF 6-1-5541 |
| 1 | 1710 | 2.500-10 | 3.750 | 3.625 | CF 6-1-5651X |
| 1 | 1810 | 2.500-10 | 3.750 | 3.625 | CF 6.5-1-2271 |
| 1 | 1810 | 2.500-10 | 3.750 | 3.625 | CF 6.5-1-2351X |
| 1 | SPL140 | 2.500-10 | 3.750 | 5.960 | EY 140-4-41-1 |
| 1 | SPL140 | 2.500-10 | 3.750 | 5.960 | EY 140-4-51-1X |
| 1 | SPL170 | 2.500-10 | 3.750 | 5.750 | EY 170-4-471-1■ |
| 1 | SPL170 | 2.500-10 | 3.750 | 5.750 | EY 170-4-481-1X■ |
| 1 | SPL250 | 2.500-10 | 3.750 | 6.062 | EY 250-4-191-1■ |
| 1 | SPL250 | 2.500-10 | 3.750 | 6.062 | EY 250-4-201-1X■ |
| 1 | 1710 | 2.500-10 | 3.750 | 5.625 | EY 6-4-6611■ |
| 1 | 1710 | 2.500-10 | 3.750 | 5.625 | EY 6-4-6611-1■ |
| 1 | 1710 | 2.500-10 | 3.750 | 5.625 | EY 6-4-6921-1X■ |
| 1 | 1710 | 2.500-10 | 3.750 | 5.625 | EY 6-4-6921X■ |
| 1 | 1760 | 2.500-10 | 3.750 | 6.000 | EY 6.3-4-651■ |
| 1 | 1760 | 2.500-10 | 3.750 | 6.031 | EY 6.3-4-651-1■ |
| 1 | 1760 | 2.500-10 | 3.750 | 6.031 | EY 6.3-4-781-1X■ |
| 1 | 1760 | 2.500-10 | 3.750 | 6.000 | EY 6.3-4-781X■ |
| 1 | 1810 | 2.500-10 | 3.750 | 5.875 | EY 6.5-4-3451■ |
| 1 | 1810 | 2.500-10 | 3.750 | 5.875 | EY 6.5-4-3451-1■ |
| 1 | 1810 | 2.500-10 | 3.750 | 5.875 | EY 6.5-4-3551-1X■ |
| 1 | 1810 | 2.500-10 | 3.750 | 5.875 | EY 6.5-4-3551X■ |

*C/L to End of Hub for EY (End Yoke); Flange Face to End of Hub for CF (Companion Flange)

■ Hub machined for speedometer gear



Important: See Safety Information in General Information Section (J300P-GI)



| Pos | Series | Spline Data | Hub Dia | * to End of Hub | End Fitting Part Number |
|---------------------------------|--------|-------------|---------|-----------------|---|
| RTO-11709M, RTO-11709MLL | | | | | |
| 1 | SPL170 | 2.750-10 | .000 | 5.850 | EY 170-4-531-1 <i>Hub diameter not ground</i> |
| 1 | SPL250 | 2.750-10 | .000 | 6.310 | EY 250-4-251-1 |
| 1 | 1710 | 2.750-10 | 3.812 | 5.750 | EY 6-4-7661-1 <i>Hub diameter not ground</i> |
| 1 | 1760 | 2.750-10 | .000 | 5.969 | EY 6.3-4-1201-1 <i>Hub diameter not ground</i> |
| 1 | 1810 | 2.750-10 | 3.875 | 6.062 | EY 6.5-4-3801-1 <i>Hub diameter not ground</i> |

| | | | | | |
|---------------------------------|--------|----------|------|-------|---|
| RTO-11909M, RTO-11909MLL | | | | | |
| 1 | SPL140 | 2.794-54 | .000 | 6.320 | EY 140-4-201-1 |
| 1 | SPL170 | 2.794-54 | .000 | 5.600 | EY 170-4-561-1 <i>Hub diameter not ground</i> |
| 1 | SPL250 | 2.794-54 | .000 | 5.703 | EY 250-4-271-1 <i>Hub diameter not ground</i> |
| 1 | 1710 | 2.794-54 | .000 | 5.625 | EY 6-4-9231 |
| 1 | 1710 | 2.794-54 | .000 | 5.625 | EY 6-4-9231-1 |
| 1 | 1760 | 2.794-54 | .000 | 5.625 | EY 6.3-4-1681 <i>Hub diameter not ground</i> |
| 1 | 1760 | 2.794-54 | .000 | 5.625 | EY 6.3-4-1681-1 <i>Hub diameter not ground</i> |
| 1 | 1810 | 2.794-54 | .000 | 5.625 | EY 6.5-4-4631 <i>Hub diameter not ground</i> |
| 1 | 1810 | 2.794-54 | .000 | 5.625 | EY 6.5-4-4631-1 <i>Hub diameter not ground</i> |

| | | | | | |
|---|--------|----------|-------|-------|------------------|
| RTO-12509, RTO-12510, RTO-12513, RTO-12515 | | | | | |
| 1 | 1810 | 2.750-10 | 3.750 | 4.062 | CF 6.5-1-2311 |
| 1 | 1810 | 2.750-10 | 3.750 | 4.062 | CF 6.5-1-2361X |
| 1 | 1810 | 2.750-10 | 3.500 | 4.062 | CF 6.5-1-741 |
| 1 | SPL140 | 2.750-10 | 3.750 | 6.570 | EY 140-4-81-1 |
| 1 | SPL140 | 2.750-10 | 3.750 | 6.570 | EY 140-4-91-1X |
| 1 | SPL170 | 2.750-10 | 3.750 | 5.850 | EY 170-4-511-1 |
| 1 | SPL170 | 2.750-10 | 3.750 | 5.850 | EY 170-4-521-1X |
| 1 | SPL250 | 2.750-10 | 3.750 | 6.297 | EY 250-4-231-1 |
| 1 | SPL250 | 2.750-10 | 3.750 | 6.297 | EY 250-4-241-1X |
| 1 | 1710 | 2.750-10 | 3.750 | 5.750 | EY 6-4-6821 |
| 1 | 1710 | 2.750-10 | 3.750 | 5.750 | EY 6-4-6821-1 |
| 1 | 1710 | 2.750-10 | 3.750 | 5.750 | EY 6-4-6931-1X |
| 1 | 1710 | 2.750-10 | 3.750 | 5.750 | EY 6-4-6931X |
| 1 | 1760 | 2.750-10 | 3.750 | 5.969 | EY 6.3-4-711 |
| 1 | 1760 | 2.750-10 | 3.750 | 5.969 | EY 6.3-4-711-1 |
| 1 | 1760 | 2.750-10 | 3.750 | 5.969 | EY 6.3-4-791-1X |
| 1 | 1760 | 2.750-10 | 3.750 | 5.969 | EY 6.3-4-791X |
| 1 | 1810 | 2.750-10 | 3.750 | 6.062 | EY 6.5-4-3491 |
| 1 | 1810 | 2.750-10 | 3.750 | 6.062 | EY 6.5-4-3491-1 |
| 1 | 1810 | 2.750-10 | 3.750 | 6.062 | EY 6.5-4-3561-1X |
| 1 | 1810 | 2.750-10 | 3.750 | 6.062 | EY 6.5-4-3561X |

| Pos | Series | Spline Data | Hub Dia | * to End of Hub | End Fitting Part Number |
|-----------------------------|--------|-------------|---------|-----------------|-------------------------|
| RTO-12609, RTO-12610 | | | | | |
| 1 | 1710 | 2.500-10 | 3.750 | 3.625 | CF 6-1-5541 |
| 1 | 1710 | 2.500-10 | 3.750 | 3.625 | CF 6-1-5651X |
| 1 | 1810 | 2.500-10 | 3.750 | 3.625 | CF 6.5-1-2271 |
| 1 | 1810 | 2.500-10 | 3.750 | 3.625 | CF 6.5-1-2351X |
| 1 | SPL140 | 2.500-10 | 3.750 | 5.960 | EY 140-4-41-1 |
| 1 | SPL140 | 2.500-10 | 3.750 | 5.960 | EY 140-4-51-1X |
| 1 | SPL170 | 2.500-10 | 3.750 | 5.750 | EY 170-4-471-1■ |
| 1 | SPL170 | 2.500-10 | 3.750 | 5.750 | EY 170-4-481-1X■ |
| 1 | SPL250 | 2.500-10 | 3.750 | 6.062 | EY 250-4-191-1■ |
| 1 | SPL250 | 2.500-10 | 3.750 | 6.062 | EY 250-4-201-1X■ |
| 1 | 1710 | 2.500-10 | 3.750 | 5.625 | EY 6-4-6611■ |
| 1 | 1710 | 2.500-10 | 3.750 | 5.625 | EY 6-4-6611-1■ |
| 1 | 1710 | 2.500-10 | 3.750 | 5.625 | EY 6-4-6921-1X■ |
| 1 | 1710 | 2.500-10 | 3.750 | 5.625 | EY 6-4-6921X■ |
| 1 | 1760 | 2.500-10 | 3.750 | 6.000 | EY 6.3-4-651■ |
| 1 | 1760 | 2.500-10 | 3.750 | 6.031 | EY 6.3-4-651-1■ |
| 1 | 1760 | 2.500-10 | 3.750 | 6.031 | EY 6.3-4-781-1X■ |
| 1 | 1760 | 2.500-10 | 3.750 | 6.000 | EY 6.3-4-781X■ |
| 1 | 1810 | 2.500-10 | 3.750 | 5.875 | EY 6.5-4-3451■ |
| 1 | 1810 | 2.500-10 | 3.750 | 5.875 | EY 6.5-4-3451-1■ |
| 1 | 1810 | 2.500-10 | 3.750 | 5.875 | EY 6.5-4-3551-1X■ |
| 1 | 1810 | 2.500-10 | 3.750 | 5.875 | EY 6.5-4-3551X■ |

| | | | | | |
|-----------------------------|--------|----------|-------|-------|------------------|
| RTO-13109, RTO-14109 | | | | | |
| 1 | 1810 | 2.750-10 | 3.750 | 4.062 | CF 6.5-1-2311 |
| 1 | 1810 | 2.750-10 | 3.750 | 4.062 | CF 6.5-1-2361X |
| 1 | SPL140 | 2.750-10 | 3.750 | 6.570 | EY 140-4-81-1 |
| 1 | SPL140 | 2.750-10 | 3.750 | 6.570 | EY 140-4-91-1X |
| 1 | SPL170 | 2.750-10 | 3.750 | 5.850 | EY 170-4-511-1 |
| 1 | SPL170 | 2.750-10 | 3.750 | 5.850 | EY 170-4-521-1X |
| 1 | SPL250 | 2.750-10 | 3.750 | 6.297 | EY 250-4-231-1 |
| 1 | SPL250 | 2.750-10 | 3.750 | 6.297 | EY 250-4-241-1X |
| 1 | 1710 | 2.750-10 | 3.750 | 5.750 | EY 6-4-6821 |
| 1 | 1710 | 2.750-10 | 3.750 | 5.750 | EY 6-4-6821-1 |
| 1 | 1710 | 2.750-10 | 3.750 | 5.750 | EY 6-4-6931-1X |
| 1 | 1710 | 2.750-10 | 3.750 | 5.750 | EY 6-4-6931X |
| 1 | 1760 | 2.750-10 | 3.750 | 5.969 | EY 6.3-4-711 |
| 1 | 1760 | 2.750-10 | 3.750 | 5.969 | EY 6.3-4-711-1 |
| 1 | 1760 | 2.750-10 | 3.750 | 5.969 | EY 6.3-4-791-1X |
| 1 | 1760 | 2.750-10 | 3.750 | 5.969 | EY 6.3-4-791X |
| 1 | 1810 | 2.750-10 | 3.750 | 6.062 | EY 6.5-4-3491 |
| 1 | 1810 | 2.750-10 | 3.750 | 6.062 | EY 6.5-4-3491-1 |
| 1 | 1810 | 2.750-10 | 3.750 | 6.062 | EY 6.5-4-3561-1X |
| 1 | 1810 | 2.750-10 | 3.750 | 6.062 | EY 6.5-4-3561X |

*C/L to End of Hub for EY (End Yoke); Flange Face to End of Hub for CF (Companion Flange)

■ Hub machined for speedometer gear



| Pos | Series | Spline Data | Hub Dia | * to End of Hub | End Fitting Part Number |
|--|--------|-------------|---------|-----------------|---|
| RTO-14209, RTO-14209MLL, RTO-14210 | | | | | |
| 1 | SPL140 | 2.794-54 | .000 | 6.320 | EY 140-4-201-1 |
| 1 | SPL170 | 2.794-54 | .000 | 5.600 | EY 170-4-561-1 <i>Hub diameter not ground</i> |
| 1 | SPL250 | 2.794-54 | .000 | 5.703 | EY 250-4-271-1 <i>Hub diameter not ground</i> |
| 1 | 1710 | 2.794-54 | .000 | 5.625 | EY 6-4-9231 |
| 1 | 1710 | 2.794-54 | .000 | 5.625 | EY 6-4-9231-1 |
| 1 | 1760 | 2.794-54 | .000 | 5.625 | EY 6.3-4-1681 <i>Hub diameter not ground</i> |
| 1 | 1760 | 2.794-54 | .000 | 5.625 | EY 6.3-4-1681-1 <i>Hub diameter not ground</i> |
| 1 | 1810 | 2.794-54 | .000 | 5.625 | EY 6.5-4-4631 <i>Hub diameter not ground</i> |
| 1 | 1810 | 2.794-54 | .000 | 5.625 | EY 6.5-4-4631-1 <i>Hub diameter not ground</i> |
| RTO-14608L, RTO-14608LL, RTO-14609, RTO-14610, RTO-14613, RTO-14708L, RTO-14708LL | | | | | |
| 1 | 1810 | 2.750-10 | 3.750 | 4.062 | CF 6.5-1-2311 |
| 1 | 1810 | 2.750-10 | 3.750 | 4.062 | CF 6.5-1-2361X |
| 1 | SPL140 | 2.750-10 | 3.750 | 6.570 | EY 140-4-81-1 |
| 1 | SPL140 | 2.750-10 | 3.750 | 6.570 | EY 140-4-91-1X |
| 1 | SPL170 | 2.750-10 | 3.750 | 5.850 | EY 170-4-511-1 |
| 1 | SPL170 | 2.750-10 | 3.750 | 5.850 | EY 170-4-521-1X |
| 1 | SPL250 | 2.750-10 | 3.750 | 6.297 | EY 250-4-231-1 |
| 1 | SPL250 | 2.750-10 | 3.750 | 6.297 | EY 250-4-241-1X |
| 1 | 1710 | 2.750-10 | 3.750 | 5.750 | EY 6-4-6821 |
| 1 | 1710 | 2.750-10 | 3.750 | 5.750 | EY 6-4-6821-1 |
| 1 | 1710 | 2.750-10 | 3.750 | 5.750 | EY 6-4-6931-1X |
| 1 | 1710 | 2.750-10 | 3.750 | 5.750 | EY 6-4-6931X |
| 1 | 1760 | 2.750-10 | 3.750 | 5.969 | EY 6.3-4-711 |
| 1 | 1760 | 2.750-10 | 3.750 | 5.969 | EY 6.3-4-711-1 |
| 1 | 1760 | 2.750-10 | 3.750 | 5.969 | EY 6.3-4-791-1X |
| 1 | 1760 | 2.750-10 | 3.750 | 5.969 | EY 6.3-4-791X |
| 1 | 1810 | 2.750-10 | 3.750 | 6.062 | EY 6.5-4-3491 |
| 1 | 1810 | 2.750-10 | 3.750 | 6.062 | EY 6.5-4-3491-1 |
| 1 | 1810 | 2.750-10 | 3.750 | 6.062 | EY 6.5-4-3561-1X |
| 1 | 1810 | 2.750-10 | 3.750 | 6.062 | EY 6.5-4-3561X |
| RTO-14709M, RTO-14709MLL | | | | | |
| 1 | SPL170 | 2.750-10 | .000 | 5.850 | EY 170-4-531-1 <i>Hub diameter not ground</i> |
| 1 | SPL250 | 2.750-10 | .000 | 6.310 | EY 250-4-251-1 |
| 1 | 1710 | 2.750-10 | 3.812 | 5.750 | EY 6-4-7661-1 <i>Hub diameter not ground</i> |
| 1 | 1760 | 2.750-10 | .000 | 5.969 | EY 6.3-4-1201-1 <i>Hub diameter not ground</i> |
| 1 | 1810 | 2.750-10 | 3.875 | 6.062 | EY 6.5-4-3801-1 <i>Hub diameter not ground</i> |
| RTO-14908L, RTO-14908LL, RTO-14909M, RTO-14909MLL, RTO-15210 | | | | | |
| 1 | SPL140 | 2.794-54 | .000 | 6.320 | EY 140-4-201-1 |
| 1 | SPL170 | 2.794-54 | .000 | 5.600 | EY 170-4-561-1 <i>Hub diameter not ground</i> |
| 1 | SPL250 | 2.794-54 | .000 | 5.703 | EY 250-4-271-1 <i>Hub diameter not ground</i> |
| 1 | 1710 | 2.794-54 | .000 | 5.625 | EY 6-4-9231 |
| 1 | 1710 | 2.794-54 | .000 | 5.625 | EY 6-4-9231-1 |
| 1 | 1760 | 2.794-54 | .000 | 5.625 | EY 6.3-4-1681 <i>Hub diameter not ground</i> |
| 1 | 1760 | 2.794-54 | .000 | 5.625 | EY 6.3-4-1681-1 <i>Hub diameter not ground</i> |
| 1 | 1810 | 2.794-54 | .000 | 5.625 | EY 6.5-4-4631 <i>Hub diameter not ground</i> |
| 1 | 1810 | 2.794-54 | .000 | 5.625 | EY 6.5-4-4631-1 <i>Hub diameter not ground</i> |

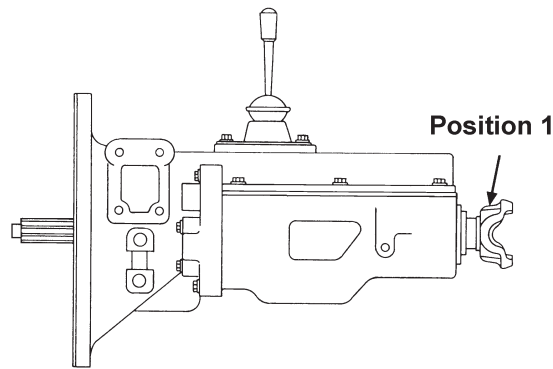
| Pos | Series | Spline Data | Hub Dia | * to End of Hub | End Fitting Part Number |
|---|--------|-------------|---------|-----------------|---|
| RTO-15613, RTO-15618, RTO-15813, RTO-16109 | | | | | |
| 1 | 1810 | 2.750-10 | 3.750 | 4.062 | CF 6.5-1-2311 |
| 1 | 1810 | 2.750-10 | 3.750 | 4.062 | CF 6.5-1-2361X |
| 1 | SPL140 | 2.750-10 | 3.750 | 6.570 | EY 140-4-81-1 |
| 1 | SPL140 | 2.750-10 | 3.750 | 6.570 | EY 140-4-91-1X |
| 1 | SPL170 | 2.750-10 | 3.750 | 5.850 | EY 170-4-511-1 |
| 1 | SPL170 | 2.750-10 | 3.750 | 5.850 | EY 170-4-521-1X |
| 1 | SPL250 | 2.750-10 | 3.750 | 6.297 | EY 250-4-231-1 |
| 1 | SPL250 | 2.750-10 | 3.750 | 6.297 | EY 250-4-241-1X |
| 1 | 1710 | 2.750-10 | 3.750 | 5.750 | EY 6-4-6821 |
| 1 | 1710 | 2.750-10 | 3.750 | 5.750 | EY 6-4-6821-1 |
| 1 | 1710 | 2.750-10 | 3.750 | 5.750 | EY 6-4-6931-1X |
| 1 | 1710 | 2.750-10 | 3.750 | 5.750 | EY 6-4-6931X |
| 1 | 1760 | 2.750-10 | 3.750 | 5.969 | EY 6.3-4-711 |
| 1 | 1760 | 2.750-10 | 3.750 | 5.969 | EY 6.3-4-711-1 |
| 1 | 1760 | 2.750-10 | 3.750 | 5.969 | EY 6.3-4-791-1X |
| 1 | 1760 | 2.750-10 | 3.750 | 5.969 | EY 6.3-4-791X |
| 1 | 1810 | 2.750-10 | 3.750 | 6.062 | EY 6.5-4-3491 |
| 1 | 1810 | 2.750-10 | 3.750 | 6.062 | EY 6.5-4-3491-1 |
| 1 | 1810 | 2.750-10 | 3.750 | 6.062 | EY 6.5-4-3561-1X |
| 1 | 1810 | 2.750-10 | 3.750 | 6.062 | EY 6.5-4-3561X |
| RTO-16210, RTO-16908L, RTO-16908LL, RTO-16910C | | | | | |
| 1 | SPL140 | 2.794-54 | .000 | 6.320 | EY 140-4-201-1 |
| 1 | SPL170 | 2.794-54 | .000 | 5.600 | EY 170-4-561-1 <i>Hub diameter not ground</i> |
| 1 | SPL250 | 2.794-54 | .000 | 5.703 | EY 250-4-271-1 <i>Hub diameter not ground</i> |
| 1 | 1710 | 2.794-54 | .000 | 5.625 | EY 6-4-9231 |
| 1 | 1710 | 2.794-54 | .000 | 5.625 | EY 6-4-9231-1 |
| 1 | 1760 | 2.794-54 | .000 | 5.625 | EY 6.3-4-1681 <i>Hub diameter not ground</i> |
| 1 | 1760 | 2.794-54 | .000 | 5.625 | EY 6.3-4-1681-1 <i>Hub diameter not ground</i> |
| 1 | 1810 | 2.794-54 | .000 | 5.625 | EY 6.5-4-4631 <i>Hub diameter not ground</i> |
| 1 | 1810 | 2.794-54 | .000 | 5.625 | EY 6.5-4-4631-1 <i>Hub diameter not ground</i> |
| RTOF-11607 | | | | | |
| 1 | 1810 | 2.750-10 | 3.750 | 4.062 | CF 6.5-1-2311 |
| 1 | 1810 | 2.750-10 | 3.750 | 4.062 | CF 6.5-1-2361X |
| 1 | SPL140 | 2.750-10 | 3.750 | 6.570 | EY 140-4-81-1 |
| 1 | SPL140 | 2.750-10 | 3.750 | 6.570 | EY 140-4-91-1X |
| 1 | SPL170 | 2.750-10 | 3.750 | 5.850 | EY 170-4-511-1 |
| 1 | SPL170 | 2.750-10 | 3.750 | 5.850 | EY 170-4-521-1X |
| 1 | SPL250 | 2.750-10 | 3.750 | 6.297 | EY 250-4-231-1 |
| 1 | SPL250 | 2.750-10 | 3.750 | 6.297 | EY 250-4-241-1X |
| 1 | 1710 | 2.750-10 | 3.750 | 5.750 | EY 6-4-6821 |
| 1 | 1710 | 2.750-10 | 3.750 | 5.750 | EY 6-4-6821-1 |
| 1 | 1710 | 2.750-10 | 3.750 | 5.750 | EY 6-4-6931-1X |
| 1 | 1710 | 2.750-10 | 3.750 | 5.750 | EY 6-4-6931X |
| 1 | 1760 | 2.750-10 | 3.750 | 5.969 | EY 6.3-4-711 |
| 1 | 1760 | 2.750-10 | 3.750 | 5.969 | EY 6.3-4-711-1 |
| 1 | 1760 | 2.750-10 | 3.750 | 5.969 | EY 6.3-4-791-1X |
| 1 | 1760 | 2.750-10 | 3.750 | 5.969 | EY 6.3-4-791X |
| 1 | 1810 | 2.750-10 | 3.750 | 6.062 | EY 6.5-4-3491 |
| 1 | 1810 | 2.750-10 | 3.750 | 6.062 | EY 6.5-4-3491-1 |
| 1 | 1810 | 2.750-10 | 3.750 | 6.062 | EY 6.5-4-3561-1X |
| 1 | 1810 | 2.750-10 | 3.750 | 6.062 | EY 6.5-4-3561X |

*C/L to End of Hub for EY (End Yoke); Flange Face to End of Hub for CF (Companion Flange)

■ Hub machined for speedometer gear



Important: See Safety Information in General Information Section (J300P-GI)



| Pos | Series | Spline Data | Hub Dia | * to End of Hub | End Fitting Part Number |
|-----|--------|-------------|---------|-----------------|-------------------------|
|-----|--------|-------------|---------|-----------------|-------------------------|

RTOF-11707

| | | | | | |
|---|--------|----------|-------|-------|------------------|
| 1 | SPL140 | 2.750-10 | 3.750 | 6.570 | EY 140-4-81-1 |
| 1 | SPL140 | 2.750-10 | 3.750 | 6.570 | EY 140-4-91-1X |
| 1 | SPL170 | 2.750-10 | 3.750 | 5.850 | EY 170-4-511-1 |
| 1 | SPL170 | 2.750-10 | 3.750 | 5.850 | EY 170-4-521-1X |
| 1 | SPL250 | 2.750-10 | 3.750 | 6.297 | EY 250-4-231-1 |
| 1 | SPL250 | 2.750-10 | 3.750 | 6.297 | EY 250-4-241-1X |
| 1 | 1710 | 2.750-10 | 3.750 | 5.750 | EY 6-4-6821 |
| 1 | 1710 | 2.750-10 | 3.750 | 5.750 | EY 6-4-6821-1 |
| 1 | 1710 | 2.750-10 | 3.750 | 5.750 | EY 6-4-6931-1X |
| 1 | 1710 | 2.750-10 | 3.750 | 5.750 | EY 6-4-6931X |
| 1 | 1760 | 2.750-10 | 3.750 | 5.969 | EY 6.3-4-711 |
| 1 | 1760 | 2.750-10 | 3.750 | 5.969 | EY 6.3-4-711-1 |
| 1 | 1760 | 2.750-10 | 3.750 | 5.969 | EY 6.3-4-791-1X |
| 1 | 1760 | 2.750-10 | 3.750 | 5.969 | EY 6.3-4-791X |
| 1 | 1810 | 2.750-10 | 3.750 | 6.062 | EY 6.5-4-3491 |
| 1 | 1810 | 2.750-10 | 3.750 | 6.062 | EY 6.5-4-3491-1 |
| 1 | 1810 | 2.750-10 | 3.750 | 6.062 | EY 6.5-4-3561-1X |
| 1 | 1810 | 2.750-10 | 3.750 | 6.062 | EY 6.5-4-3561X |

RTOO-913

| | | | | | |
|---|--------|----------|-------|-------|------------------|
| 1 | SPL140 | 2.500-10 | 3.750 | 5.960 | EY 140-4-41-1 |
| 1 | SPL140 | 2.500-10 | 3.750 | 5.960 | EY 140-4-51-1X |
| 1 | SPL170 | 2.500-10 | 3.750 | 5.750 | EY 170-4-471-1■ |
| 1 | SPL170 | 2.500-10 | 3.750 | 5.750 | EY 170-4-481-1X■ |
| 1 | SPL250 | 2.500-10 | 3.750 | 6.062 | EY 250-4-191-1■ |
| 1 | SPL250 | 2.500-10 | 3.750 | 6.062 | EY 250-4-201-1X■ |

RTOO-958LL, RTOO-9513

| | | | | | |
|---|--------|----------|-------|-------|------------------|
| 1 | 1710 | 2.500-10 | 3.750 | 3.625 | CF 6-1-5541 |
| 1 | 1710 | 2.500-10 | 3.750 | 3.625 | CF 6-1-5651X |
| 1 | 1810 | 2.500-10 | 3.750 | 3.625 | CF 6.5-1-2351X |
| 1 | SPL140 | 2.500-10 | 3.750 | 5.960 | EY 140-4-41-1 |
| 1 | SPL140 | 2.500-10 | 3.750 | 5.960 | EY 140-4-51-1X |
| 1 | SPL170 | 2.500-10 | 3.750 | 5.750 | EY 170-4-471-1■ |
| 1 | SPL170 | 2.500-10 | 3.750 | 5.750 | EY 170-4-481-1X■ |
| 1 | SPL250 | 2.500-10 | 3.750 | 6.062 | EY 250-4-191-1■ |
| 1 | SPL250 | 2.500-10 | 3.750 | 6.062 | EY 250-4-201-1X■ |
| 1 | 1710 | 2.500-10 | 3.750 | 5.625 | EY 6-4-6611■ |
| 1 | 1710 | 2.500-10 | 3.750 | 5.625 | EY 6-4-6611-1■ |
| 1 | 1710 | 2.500-10 | 3.750 | 5.625 | EY 6-4-6921-1X■ |
| 1 | 1710 | 2.500-10 | 3.750 | 5.625 | EY 6-4-6921X■ |
| 1 | 1760 | 2.500-10 | 3.750 | 6.000 | EY 6.3-4-651■ |
| 1 | 1760 | 2.500-10 | 3.750 | 6.031 | EY 6.3-4-651-1■ |
| 1 | 1760 | 2.500-10 | 3.750 | 6.031 | EY 6.3-4-781-1X■ |

| Pos | Series | Spline Data | Hub Dia | * to End of Hub | End Fitting Part Number |
|-----|--------|-------------|---------|-----------------|-------------------------|
|-----|--------|-------------|---------|-----------------|-------------------------|

RTOO-958LL, RTOO-9513 (Continued)

| | | | | | |
|---|------|----------|-------|-------|-------------------|
| 1 | 1760 | 2.500-10 | 3.750 | 6.000 | EY 6.3-4-781X■ |
| 1 | 1810 | 2.500-10 | 3.750 | 5.875 | EY 6.5-4-3451■ |
| 1 | 1810 | 2.500-10 | 3.750 | 5.875 | EY 6.5-4-3451-1■ |
| 1 | 1810 | 2.500-10 | 3.750 | 5.875 | EY 6.5-4-3551-1X■ |
| 1 | 1810 | 2.500-10 | 3.750 | 5.875 | EY 6.5-4-3551X■ |

RTOO-11613

| | | | | | |
|---|--------|----------|-------|-------|-------------------|
| 1 | 1710 | 2.500-10 | 3.750 | 3.625 | CF 6-1-5541 |
| 1 | 1710 | 2.500-10 | 3.750 | 3.625 | CF 6-1-5651X |
| 1 | 1810 | 2.500-10 | 3.750 | 3.625 | CF 6.5-1-2271 |
| 1 | 1810 | 2.500-10 | 3.750 | 3.625 | CF 6.5-1-2351X |
| 1 | SPL170 | 2.500-10 | 3.750 | 5.750 | EY 170-4-471-1■ |
| 1 | SPL170 | 2.500-10 | 3.750 | 5.750 | EY 170-4-481-1X■ |
| 1 | SPL250 | 2.500-10 | 3.750 | 6.062 | EY 250-4-191-1■ |
| 1 | SPL250 | 2.500-10 | 3.750 | 6.062 | EY 250-4-201-1X■ |
| 1 | 1710 | 2.500-10 | 3.750 | 5.625 | EY 6-4-6611■ |
| 1 | 1710 | 2.500-10 | 3.750 | 5.625 | EY 6-4-6611-1■ |
| 1 | 1710 | 2.500-10 | 3.750 | 5.625 | EY 6-4-6921-1X■ |
| 1 | 1710 | 2.500-10 | 3.750 | 5.625 | EY 6-4-6921X■ |
| 1 | 1760 | 2.500-10 | 3.750 | 6.000 | EY 6.3-4-651■ |
| 1 | 1760 | 2.500-10 | 3.750 | 6.031 | EY 6.3-4-651-1■ |
| 1 | 1760 | 2.500-10 | 3.750 | 6.031 | EY 6.3-4-781-1X■ |
| 1 | 1810 | 2.500-10 | 3.750 | 5.875 | EY 6.5-4-3451■ |
| 1 | 1810 | 2.500-10 | 3.750 | 5.875 | EY 6.5-4-3451-1■ |
| 1 | 1810 | 2.500-10 | 3.750 | 5.875 | EY 6.5-4-3551-1X■ |
| 1 | 1810 | 2.500-10 | 3.750 | 5.875 | EY 6.5-4-3551X■ |

RTOO-14613

| | | | | | |
|---|--------|----------|-------|-------|-----------------|
| 1 | 1810 | 2.750-10 | 3.750 | 4.062 | CF 6.5-1-2311 |
| 1 | 1810 | 2.750-10 | 3.750 | 4.062 | CF 6.5-1-2361X |
| 1 | SPL140 | 2.750-10 | 3.750 | 6.570 | EY 140-4-81-1 |
| 1 | SPL140 | 2.750-10 | 3.750 | 6.570 | EY 140-4-91-1X |
| 1 | SPL170 | 2.750-10 | 3.750 | 5.850 | EY 170-4-511-1 |
| 1 | SPL170 | 2.750-10 | 3.750 | 5.850 | EY 170-4-521-1X |
| 1 | SPL250 | 2.750-10 | 3.750 | 6.297 | EY 250-4-231-1 |
| 1 | SPL250 | 2.750-10 | 3.750 | 6.297 | EY 250-4-241-1X |
| 1 | 1710 | 2.750-10 | 3.750 | 5.750 | EY 6-4-6821 |
| 1 | 1710 | 2.750-10 | 3.750 | 5.750 | EY 6-4-6821-1 |
| 1 | 1710 | 2.750-10 | 3.750 | 5.750 | EY 6-4-6931-1X |
| 1 | 1710 | 2.750-10 | 3.750 | 5.750 | EY 6-4-6931X |
| 1 | 1760 | 2.750-10 | 3.750 | 5.969 | EY 6.3-4-711 |
| 1 | 1760 | 2.750-10 | 3.750 | 5.969 | EY 6.3-4-711-1 |
| 1 | 1760 | 2.750-10 | 3.750 | 5.969 | EY 6.3-4-791-1X |

*C/L to End of Hub for EY (End Yoke); Flange Face to End of Hub for CF (Companion Flange)

■ Hub machined for speedometer gear



| Pos | Series | Spline Data | Hub Dia | * to End of Hub | End Fitting Part Number |
|-----|--------|-------------|---------|-----------------|-------------------------|
|-----|--------|-------------|---------|-----------------|-------------------------|

RT00-14613 (Continued)

| | | | | | |
|---|------|----------|-------|-------|------------------|
| 1 | 1760 | 2.750-10 | 3.750 | 5.969 | EY 6.3-4-791X |
| 1 | 1810 | 2.750-10 | 3.750 | 6.062 | EY 6.5-4-3491 |
| 1 | 1810 | 2.750-10 | 3.750 | 6.062 | EY 6.5-4-3491-1 |
| 1 | 1810 | 2.750-10 | 3.750 | 6.062 | EY 6.5-4-3561-1X |
| 1 | 1810 | 2.750-10 | 3.750 | 6.062 | EY 6.5-4-3561X |

RTT-12609

| | | | | | |
|---|--------|----------|-------|-------|-------------------|
| 1 | 1710 | 2.500-10 | 3.750 | 3.625 | CF 6-1-5541 |
| 1 | 1710 | 2.500-10 | 3.750 | 3.625 | CF 6-1-5651X |
| 1 | 1810 | 2.500-10 | 3.750 | 3.625 | CF 6.5-1-2351X |
| 1 | SPL140 | 2.500-10 | 3.750 | 5.960 | EY 140-4-41-1 |
| 1 | SPL140 | 2.500-10 | 3.750 | 5.960 | EY 140-4-51-1X |
| 1 | SPL170 | 2.500-10 | 3.750 | 5.750 | EY 170-4-471-1■ |
| 1 | SPL170 | 2.500-10 | 3.750 | 5.750 | EY 170-4-481-1X■ |
| 1 | SPL250 | 2.500-10 | 3.750 | 6.062 | EY 250-4-191-1■ |
| 1 | SPL250 | 2.500-10 | 3.750 | 6.062 | EY 250-4-201-1X■ |
| 1 | 1710 | 2.500-10 | 3.750 | 5.625 | EY 6-4-6611■ |
| 1 | 1710 | 2.500-10 | 3.750 | 5.625 | EY 6-4-6611-1■ |
| 1 | 1710 | 2.500-10 | 3.750 | 5.625 | EY 6-4-6921-1X■ |
| 1 | 1710 | 2.500-10 | 3.750 | 5.625 | EY 6-4-6921X■ |
| 1 | 1760 | 2.500-10 | 3.750 | 6.000 | EY 6.3-4-651■ |
| 1 | 1760 | 2.500-10 | 3.750 | 6.031 | EY 6.3-4-651-1■ |
| 1 | 1760 | 2.500-10 | 3.750 | 6.031 | EY 6.3-4-781-1X■ |
| 1 | 1760 | 2.500-10 | 3.750 | 6.000 | EY 6.3-4-781X■ |
| 1 | 1810 | 2.500-10 | 3.750 | 5.875 | EY 6.5-4-3451■ |
| 1 | 1810 | 2.500-10 | 3.750 | 5.875 | EY 6.5-4-3451-1■ |
| 1 | 1810 | 2.500-10 | 3.750 | 5.875 | EY 6.5-4-3551-1X■ |
| 1 | 1810 | 2.500-10 | 3.750 | 5.875 | EY 6.5-4-3551X■ |

RTX-7609

| | | | | | |
|---|------|----------|-------|-------|-------------------|
| 1 | 1710 | 2.544-49 | 3.755 | 5.625 | EY 6-4-7041-1X■ |
| 1 | 1710 | 2.544-49 | 3.755 | 5.625 | EY 6-4-7041X■ |
| 1 | 1710 | 2.544-49 | 3.755 | 5.625 | EY 6-4-7051■ |
| 1 | 1760 | 2.544-49 | 3.750 | 6.031 | EY 6.3-4-771-1X■ |
| 1 | 1760 | 2.544-49 | 3.750 | 6.031 | EY 6.3-4-771X■ |
| 1 | 1760 | 2.544-49 | 3.750 | 6.031 | EY 6.3-4-811■ |
| 1 | 1760 | 2.544-49 | 3.750 | 6.031 | EY 6.3-4-811-1■ |
| 1 | 1810 | 2.544-49 | 3.750 | 5.875 | EY 6.5-4-3611■ |
| 1 | 1810 | 2.544-49 | 3.750 | 5.875 | EY 6.5-4-3611-1■ |
| 1 | 1810 | 2.544-49 | 3.750 | 5.875 | EY 6.5-4-3621-1X■ |
| 1 | 1810 | 2.544-49 | 3.750 | 5.875 | EY 6.5-4-3621X■ |

RTX-11609, RTX-12609, RTX-13710

| | | | | | |
|---|--------|----------|-------|-------|------------------|
| 1 | 1710 | 2.500-10 | 3.750 | 3.625 | CF 6-1-5541 |
| 1 | 1710 | 2.500-10 | 3.750 | 3.625 | CF 6-1-5651X |
| 1 | 1810 | 2.500-10 | 3.750 | 3.625 | CF 6.5-1-2271 |
| 1 | 1810 | 2.500-10 | 3.750 | 3.625 | CF 6.5-1-2351X |
| 1 | SPL140 | 2.500-10 | 3.750 | 5.960 | EY 140-4-41-1 |
| 1 | SPL140 | 2.500-10 | 3.750 | 5.960 | EY 140-4-51-1X |
| 1 | SPL170 | 2.500-10 | 3.750 | 5.750 | EY 170-4-471-1■ |
| 1 | SPL170 | 2.500-10 | 3.750 | 5.750 | EY 170-4-481-1X■ |
| 1 | SPL250 | 2.500-10 | 3.750 | 6.062 | EY 250-4-191-1■ |
| 1 | SPL250 | 2.500-10 | 3.750 | 6.062 | EY 250-4-201-1X■ |
| 1 | 1710 | 2.500-10 | 3.750 | 5.625 | EY 6-4-6611■ |
| 1 | 1710 | 2.500-10 | 3.750 | 5.625 | EY 6-4-6611-1■ |
| 1 | 1710 | 2.500-10 | 3.750 | 5.625 | EY 6-4-6921-1X■ |
| 1 | 1710 | 2.500-10 | 3.750 | 5.625 | EY 6-4-6921X■ |
| 1 | 1760 | 2.500-10 | 3.750 | 6.000 | EY 6.3-4-651■ |
| 1 | 1760 | 2.500-10 | 3.750 | 6.031 | EY 6.3-4-651-1■ |
| 1 | 1760 | 2.500-10 | 3.750 | 6.031 | EY 6.3-4-781-1X■ |

| Pos | Series | Spline Data | Hub Dia | * to End of Hub | End Fitting Part Number |
|-----|--------|-------------|---------|-----------------|-------------------------|
|-----|--------|-------------|---------|-----------------|-------------------------|

RTX-11609, RTX-12609, RTX-13710 (Continued)

| | | | | | |
|---|------|----------|-------|-------|-------------------|
| 1 | 1760 | 2.500-10 | 3.750 | 6.000 | EY 6.3-4-781X■ |
| 1 | 1810 | 2.500-10 | 3.750 | 5.875 | EY 6.5-4-3451■ |
| 1 | 1810 | 2.500-10 | 3.750 | 5.875 | EY 6.5-4-3451-1■ |
| 1 | 1810 | 2.500-10 | 3.750 | 5.875 | EY 6.5-4-3551-1X■ |
| 1 | 1810 | 2.500-10 | 3.750 | 5.875 | EY 6.5-4-3551X■ |

RTX-14609B, RTX-14710B, RTX-15710, RTX-16709, RTX-16709H, RTX-16710

| | | | | | |
|---|--------|----------|-------|-------|------------------|
| 1 | 1810 | 2.750-10 | 3.750 | 4.062 | CF 6.5-1-2311 |
| 1 | 1810 | 2.750-10 | 3.750 | 4.062 | CF 6.5-1-2361X |
| 1 | SPL140 | 2.750-10 | 3.750 | 6.570 | EY 140-4-81-1 |
| 1 | SPL140 | 2.750-10 | 3.750 | 6.570 | EY 140-4-91-1X |
| 1 | SPL170 | 2.750-10 | 3.750 | 5.850 | EY 170-4-511-1 |
| 1 | SPL170 | 2.750-10 | 3.750 | 5.850 | EY 170-4-521-1X |
| 1 | SPL250 | 2.750-10 | 3.750 | 6.297 | EY 250-4-231-1 |
| 1 | SPL250 | 2.750-10 | 3.750 | 6.297 | EY 250-4-241-1X |
| 1 | 1710 | 2.750-10 | 3.750 | 5.750 | EY 6-4-6821 |
| 1 | 1710 | 2.750-10 | 3.750 | 5.750 | EY 6-4-6821-1 |
| 1 | 1710 | 2.750-10 | 3.750 | 5.750 | EY 6-4-6931-1X |
| 1 | 1710 | 2.750-10 | 3.750 | 5.750 | EY 6-4-6931X |
| 1 | 1760 | 2.750-10 | 3.750 | 5.969 | EY 6.3-4-711 |
| 1 | 1760 | 2.750-10 | 3.750 | 5.969 | EY 6.3-4-711-1 |
| 1 | 1760 | 2.750-10 | 3.750 | 5.969 | EY 6.3-4-791-1X |
| 1 | 1760 | 2.750-10 | 3.750 | 5.969 | EY 6.3-4-791X |
| 1 | 1810 | 2.750-10 | 3.750 | 6.062 | EY 6.5-4-3491 |
| 1 | 1810 | 2.750-10 | 3.750 | 6.062 | EY 6.5-4-3491-1 |
| 1 | 1810 | 2.750-10 | 3.750 | 6.062 | EY 6.5-4-3561-1X |
| 1 | 1810 | 2.750-10 | 3.750 | 6.062 | EY 6.5-4-3561X |

T-904

| | | | | | |
|--|-------|----------|-------|-------|------------------|
| 1 | 1610 | 2.250-10 | 3.500 | 3.625 | CF 5-1-6331 |
| 1 | 1710 | 2.250-10 | 3.500 | 3.688 | CF 6-1-951 |
| 1 | 1810 | 2.250-10 | 3.500 | 3.688 | CF 6.5-1-151 |
| 1 | SPL90 | 2.250-10 | 3.500 | 5.219 | EY 90-4-151-1X |
| 1 | SPL90 | 2.250-10 | 3.750 | 5.219 | EY 90-4-171-1X |
| <i>Change seal to service older trans.</i> | | | | | |
| 1 | 1550 | 2.250-10 | 3.500 | 5.125 | EY 4-4-3501-1 |
| 1 | 1610 | 2.250-10 | 3.500 | 5.750 | EY 5-4-4961 |
| 1 | 1610 | 2.250-10 | 3.500 | 5.750 | EY 5-4-4961-1 |
| 1 | 1610 | 2.250-10 | 3.750 | 5.750 | EY 5-4-7391-1X |
| 1 | 1710 | 2.250-10 | 3.500 | 5.250 | EY 6-4-6861 |
| 1 | 1710 | 2.250-10 | 3.500 | 5.250 | EY 6-4-6861-1 |
| 1 | 1710 | 2.250-10 | 3.500 | 5.250 | EY 6-4-6901-1X |
| 1 | 1710 | 2.250-10 | 3.750 | 5.250 | EY 6-4-7381-1X |
| <i>Change seal to service older trans.</i> | | | | | |
| 1 | 1760 | 2.250-10 | 3.750 | 5.625 | EY 6.3-4-1101-1X |
| <i>Change seal to service older trans.</i> | | | | | |
| 1 | 1760 | 2.250-10 | 3.500 | 5.656 | EY 6.3-4-701-1 |
| 1 | 1810 | 2.250-10 | 3.500 | 5.844 | EY 6.5-4-2021 |

T-905

| | | | | | |
|---|--------|----------|-------|-------|-----------------|
| 1 | 1610 | 2.250-10 | 3.500 | 3.625 | CF 5-1-6331 |
| 1 | 1810 | 2.250-10 | 3.500 | 3.688 | CF 6.5-1-151 |
| 1 | SPL170 | 2.250-10 | 3.500 | 5.750 | EY 170-4-451-1 |
| 1 | SPL170 | 2.250-10 | 3.500 | 5.750 | EY 170-4-461-1X |
| 1 | SPL90 | 2.250-10 | 3.500 | 5.219 | EY 90-4-151-1X |
| 1 | SPL90 | 2.250-10 | 3.500 | 5.219 | EY 90-4-401-1 |
| 1 | 1550 | 2.250-10 | 3.500 | 5.125 | EY 4-4-3501-1 |
| 1 | 1610 | 2.250-10 | 3.500 | 5.750 | EY 5-4-4961 |
| 1 | 1610 | 2.250-10 | 3.500 | 5.750 | EY 5-4-4961-1 |

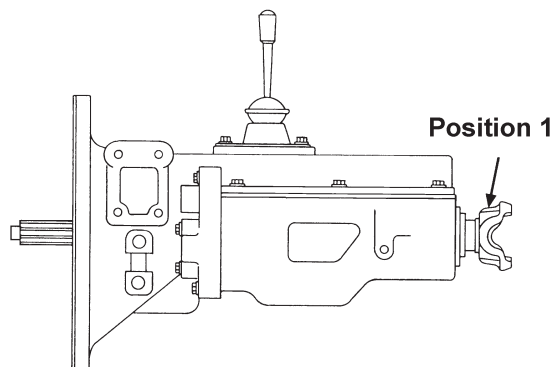
Continued on next page

*C/L to End of Hub for EY (End Yoke); Flange Face to End of Hub for CF (Companion Flange)

■ Hub machined for speedometer gear



Important: See Safety Information in General Information Section (J300P-GI)



| Pos | Series | Spline Data | Hub Dia | * to End of Hub | End Fitting Part Number |
|-----|--------|-------------|---------|-----------------|-------------------------|
|-----|--------|-------------|---------|-----------------|-------------------------|

T-905 (Continued)

| | | | | | |
|---|------|----------|-------|-------|----------------|
| 1 | 1710 | 2.250-10 | 3.500 | 5.250 | EY 6-4-6861 |
| 1 | 1710 | 2.250-10 | 3.500 | 5.250 | EY 6-4-6861-1 |
| 1 | 1710 | 2.250-10 | 3.500 | 5.250 | EY 6-4-6901-1X |
| 1 | 1810 | 2.250-10 | 3.500 | 5.844 | EY 6.5-4-2021 |

T-955-AL, T-955-ALL

| | | | | | |
|---|--------|----------|-------|-------|-------------------|
| 1 | 1710 | 2.500-10 | 3.750 | 3.625 | CF 6-1-5541 |
| 1 | 1710 | 2.500-10 | 3.750 | 3.625 | CF 6-1-5651X |
| 1 | 1810 | 2.500-10 | 3.750 | 3.625 | CF 6.5-1-2271 |
| 1 | 1810 | 2.500-10 | 3.750 | 3.625 | CF 6.5-1-2351X |
| 1 | SPL140 | 2.500-10 | 3.750 | 5.960 | EY 140-4-41-1 |
| 1 | SPL140 | 2.500-10 | 3.750 | 5.960 | EY 140-4-51-1X |
| 1 | SPL170 | 2.500-10 | 3.750 | 5.750 | EY 170-4-471-1■ |
| 1 | SPL170 | 2.500-10 | 3.750 | 5.750 | EY 170-4-481-1X■ |
| 1 | SPL250 | 2.500-10 | 3.750 | 6.062 | EY 250-4-191-1■ |
| 1 | SPL250 | 2.500-10 | 3.750 | 6.062 | EY 250-4-201-1X■ |
| 1 | 1710 | 2.500-10 | 3.750 | 5.625 | EY 6-4-6611■ |
| 1 | 1710 | 2.500-10 | 3.750 | 5.625 | EY 6-4-6611-1■ |
| 1 | 1710 | 2.500-10 | 3.750 | 5.625 | EY 6-4-6921-1X■ |
| 1 | 1710 | 2.500-10 | 3.750 | 5.625 | EY 6-4-6921X■ |
| 1 | 1760 | 2.500-10 | 3.750 | 6.000 | EY 6.3-4-651■ |
| 1 | 1760 | 2.500-10 | 3.750 | 6.031 | EY 6.3-4-651-1■ |
| 1 | 1760 | 2.500-10 | 3.750 | 6.031 | EY 6.3-4-781-1X■ |
| 1 | 1760 | 2.500-10 | 3.750 | 6.000 | EY 6.3-4-781X■ |
| 1 | 1810 | 2.500-10 | 3.750 | 5.875 | EY 6.5-4-3451■ |
| 1 | 1810 | 2.500-10 | 3.750 | 5.875 | EY 6.5-4-3451-1■ |
| 1 | 1810 | 2.500-10 | 3.750 | 5.875 | EY 6.5-4-3551-1X■ |
| 1 | 1810 | 2.500-10 | 3.750 | 5.875 | EY 6.5-4-3551X■ |

T-955-GL

| | | | | | |
|---|--------|----------|-------|-------|------------------|
| 1 | 1710 | 2.500-10 | 3.750 | 3.625 | CF 6-1-5541 |
| 1 | 1710 | 2.500-10 | 3.750 | 3.625 | CF 6-1-5651X |
| 1 | 1810 | 2.500-10 | 3.750 | 3.625 | CF 6.5-1-2271 |
| 1 | 1810 | 2.500-10 | 3.750 | 3.625 | CF 6.5-1-2351X |
| 1 | SPL170 | 2.500-10 | 3.750 | 5.750 | EY 170-4-471-1■ |
| 1 | SPL170 | 2.500-10 | 3.750 | 5.750 | EY 170-4-481-1X■ |
| 1 | SPL250 | 2.500-10 | 3.750 | 6.062 | EY 250-4-191-1■ |
| 1 | SPL250 | 2.500-10 | 3.750 | 6.062 | EY 250-4-201-1X■ |
| 1 | 1710 | 2.500-10 | 3.750 | 5.625 | EY 6-4-6611■ |
| 1 | 1710 | 2.500-10 | 3.750 | 5.625 | EY 6-4-6611-1■ |
| 1 | 1710 | 2.500-10 | 3.750 | 5.625 | EY 6-4-6921-1X■ |
| 1 | 1710 | 2.500-10 | 3.750 | 5.625 | EY 6-4-6921X■ |
| 1 | 1760 | 2.500-10 | 3.750 | 6.000 | EY 6.3-4-651■ |
| 1 | 1760 | 2.500-10 | 3.750 | 6.031 | EY 6.3-4-651-1■ |

| Pos | Series | Spline Data | Hub Dia | * to End of Hub | End Fitting Part Number |
|-----|--------|-------------|---------|-----------------|-------------------------|
|-----|--------|-------------|---------|-----------------|-------------------------|

T-955-GL (Continued)

| | | | | | |
|---|------|----------|-------|-------|-------------------|
| 1 | 1760 | 2.500-10 | 3.750 | 6.031 | EY 6.3-4-781-1X■ |
| 1 | 1760 | 2.500-10 | 3.750 | 6.000 | EY 6.3-4-781X■ |
| 1 | 1810 | 2.500-10 | 3.750 | 5.875 | EY 6.5-4-3451■ |
| 1 | 1810 | 2.500-10 | 3.750 | 5.875 | EY 6.5-4-3451-1■ |
| 1 | 1810 | 2.500-10 | 3.750 | 5.875 | EY 6.5-4-3551-1X■ |
| 1 | 1810 | 2.500-10 | 3.750 | 5.875 | EY 6.5-4-3551X■ |

T-1056A, T-1056AA

| | | | | | |
|---|--------|----------|-------|-------|-------------------|
| 1 | 1710 | 2.500-10 | 3.750 | 3.625 | CF 6-1-5541 |
| 1 | 1710 | 2.500-10 | 3.750 | 3.625 | CF 6-1-5651X |
| 1 | 1810 | 2.500-10 | 3.750 | 3.625 | CF 6.5-1-2271 |
| 1 | 1810 | 2.500-10 | 3.750 | 3.625 | CF 6.5-1-2351X |
| 1 | SPL140 | 2.500-10 | 3.750 | 5.960 | EY 140-4-41-1 |
| 1 | SPL140 | 2.500-10 | 3.750 | 5.960 | EY 140-4-51-1X |
| 1 | SPL170 | 2.500-10 | 3.750 | 5.750 | EY 170-4-471-1■ |
| 1 | SPL170 | 2.500-10 | 3.750 | 5.750 | EY 170-4-481-1X■ |
| 1 | SPL250 | 2.500-10 | 3.750 | 6.062 | EY 250-4-191-1■ |
| 1 | SPL250 | 2.500-10 | 3.750 | 6.062 | EY 250-4-201-1X■ |
| 1 | 1710 | 2.500-10 | 3.750 | 5.625 | EY 6-4-6611■ |
| 1 | 1710 | 2.500-10 | 3.750 | 5.625 | EY 6-4-6611-1■ |
| 1 | 1710 | 2.500-10 | 3.750 | 5.625 | EY 6-4-6921-1X■ |
| 1 | 1710 | 2.500-10 | 3.750 | 5.625 | EY 6-4-6921X■ |
| 1 | 1760 | 2.500-10 | 3.750 | 6.000 | EY 6.3-4-651■ |
| 1 | 1760 | 2.500-10 | 3.750 | 6.031 | EY 6.3-4-651-1■ |
| 1 | 1760 | 2.500-10 | 3.750 | 6.031 | EY 6.3-4-781-1X■ |
| 1 | 1760 | 2.500-10 | 3.750 | 6.000 | EY 6.3-4-781X■ |
| 1 | 1810 | 2.500-10 | 3.750 | 5.875 | EY 6.5-4-3451■ |
| 1 | 1810 | 2.500-10 | 3.750 | 5.875 | EY 6.5-4-3451-1■ |
| 1 | 1810 | 2.500-10 | 3.750 | 5.875 | EY 6.5-4-3551-1X■ |
| 1 | 1810 | 2.500-10 | 3.750 | 5.875 | EY 6.5-4-3551X■ |

T-8607

| | | | | | |
|---|------|----------|-------|-------|-----------------|
| 1 | 1610 | 2.343-45 | 3.750 | 5.750 | EY 5-4-7641-1 |
| 1 | 1610 | 2.343-45 | 3.750 | 5.750 | EY 5-4-7651-1X |
| 1 | 1710 | 2.343-45 | 3.750 | 5.250 | EY 6-4-7251 |
| 1 | 1710 | 2.343-45 | 3.750 | 5.250 | EY 6-4-7251-1 |
| 1 | 1710 | 2.343-45 | 3.750 | 5.250 | EY 6-4-7271-1X |
| 1 | 1710 | 2.343-45 | 3.750 | 5.250 | EY 6-4-7271X |
| 1 | 1760 | 2.343-45 | 3.750 | 5.656 | EY 6.3-4-841-1 |
| 1 | 1760 | 2.343-45 | 3.750 | 5.656 | EY 6.3-4-901-1X |

T-11605

| | | | | | |
|---|--------|----------|-------|-------|-----------------|
| 1 | 1610 | 2.250-10 | 3.500 | 3.625 | CF 5-1-6331 |
| 1 | 1810 | 2.250-10 | 3.500 | 3.688 | CF 6.5-1-151 |
| 1 | SPL140 | 2.250-10 | 3.500 | 6.000 | EY 140-4-1091-1 |

*C/L to End of Hub for EY (End Yoke); Flange Face to End of Hub for CF (Companion Flange)

■ Hub machined for speedometer gear



| Pos | Series | Spline Data | Hub Dia | * to End of Hub | End Fitting Part Number |
|----------------------------|--------|-------------|---------|-----------------|-------------------------|
| T-11605 (Continued) | | | | | |
| 1 | SPL140 | 2.250-10 | 3.500 | 6.000 | EY 140-4-1101-1X |
| 1 | SPL170 | 2.250-10 | 3.500 | 5.750 | EY 170-4-451-1 |
| 1 | SPL170 | 2.250-10 | 3.500 | 5.750 | EY 170-4-461-1X |
| 1 | SPL90 | 2.250-10 | 3.500 | 5.219 | EY 90-4-151-1X |
| 1 | SPL90 | 2.250-10 | 3.750 | 5.219 | EY 90-4-161-1 |
| 1 | SPL90 | 2.250-10 | 3.750 | 5.219 | EY 90-4-171-1X |
| 1 | SPL90 | 2.250-10 | 3.500 | 5.219 | EY 90-4-401-1 |
| 1 | 1550 | 2.250-10 | 3.500 | 5.125 | EY 4-4-3501-1 |
| 1 | 1610 | 2.250-10 | 3.500 | 5.750 | EY 5-4-4961 |
| 1 | 1610 | 2.250-10 | 3.500 | 5.750 | EY 5-4-4961-1 |
| 1 | 1610 | 2.250-10 | 3.750 | 5.750 | EY 5-4-7381-1 |
| 1 | 1610 | 2.250-10 | 3.750 | 5.750 | EY 5-4-7391-1X |
| 1 | 1710 | 2.250-10 | 3.500 | 5.250 | EY 6-4-6861 |
| 1 | 1710 | 2.250-10 | 3.500 | 5.250 | EY 6-4-6861-1 |
| 1 | 1710 | 2.250-10 | 3.500 | 5.250 | EY 6-4-6901-1X |
| 1 | 1710 | 2.250-10 | 3.750 | 5.250 | EY 6-4-7371-1 |
| 1 | 1710 | 2.250-10 | 3.750 | 5.250 | EY 6-4-7381-1X |
| 1 | 1760 | 2.250-10 | 3.750 | 5.625 | EY 6.3-4-1091-1 |
| 1 | 1760 | 2.250-10 | 3.750 | 5.625 | EY 6.3-4-1101-1X |
| 1 | 1760 | 2.250-10 | 3.500 | 5.656 | EY 6.3-4-701-1 |
| 1 | 1810 | 2.250-10 | 3.500 | 5.844 | EY 6.5-4-2021 |

| | | | | | |
|----------------|--------|----------|-------|-------|-------------------|
| T-11606 | | | | | |
| 1 | 1710 | 2.500-10 | 3.750 | 3.625 | CF 6-1-5541 |
| 1 | 1710 | 2.500-10 | 3.750 | 3.625 | CF 6-1-5651X |
| 1 | SPL140 | 2.500-10 | 3.750 | 5.960 | EY 140-4-41-1 |
| 1 | SPL140 | 2.500-10 | 3.750 | 5.960 | EY 140-4-51-1X |
| 1 | SPL170 | 2.500-10 | 3.750 | 5.750 | EY 170-4-471-1■ |
| 1 | SPL170 | 2.500-10 | 3.750 | 5.750 | EY 170-4-481-1X■ |
| 1 | SPL250 | 2.500-10 | 3.750 | 6.062 | EY 250-4-191-1■ |
| 1 | SPL250 | 2.500-10 | 3.750 | 6.062 | EY 250-4-201-1X■ |
| 1 | 1710 | 2.500-10 | 3.750 | 5.625 | EY 6-4-6611■ |
| 1 | 1710 | 2.500-10 | 3.750 | 5.625 | EY 6-4-6611-1■ |
| 1 | 1710 | 2.500-10 | 3.750 | 5.625 | EY 6-4-6921-1X■ |
| 1 | 1710 | 2.500-10 | 3.750 | 5.625 | EY 6-4-6921X■ |
| 1 | 1760 | 2.500-10 | 3.750 | 6.000 | EY 6.3-4-651■ |
| 1 | 1760 | 2.500-10 | 3.750 | 6.031 | EY 6.3-4-651-1■ |
| 1 | 1760 | 2.500-10 | 3.750 | 6.031 | EY 6.3-4-781-1X■ |
| 1 | 1760 | 2.500-10 | 3.750 | 6.000 | EY 6.3-4-781X■ |
| 1 | 1810 | 2.500-10 | 3.750 | 5.875 | EY 6.5-4-3451■ |
| 1 | 1810 | 2.500-10 | 3.750 | 5.875 | EY 6.5-4-3451-1■ |
| 1 | 1810 | 2.500-10 | 3.750 | 5.875 | EY 6.5-4-3551-1X■ |
| 1 | 1810 | 2.500-10 | 3.750 | 5.875 | EY 6.5-4-3551X■ |

| | | | | | |
|----------------|--------|----------|-------|-------|------------------|
| T-11607 | | | | | |
| 1 | 1710 | 2.500-10 | 3.750 | 3.625 | CF 6-1-5541 |
| 1 | 1710 | 2.500-10 | 3.750 | 3.625 | CF 6-1-5651X |
| 1 | 1810 | 2.500-10 | 3.750 | 3.625 | CF 6.5-1-2271 |
| 1 | 1810 | 2.500-10 | 3.750 | 3.625 | CF 6.5-1-2351X |
| 1 | SPL140 | 2.500-10 | 3.750 | 5.960 | EY 140-4-41-1 |
| 1 | SPL140 | 2.500-10 | 3.750 | 5.960 | EY 140-4-51-1X |
| 1 | SPL170 | 2.500-10 | 3.750 | 5.750 | EY 170-4-471-1■ |
| 1 | SPL170 | 2.500-10 | 3.750 | 5.750 | EY 170-4-481-1X■ |
| 1 | SPL250 | 2.500-10 | 3.750 | 6.062 | EY 250-4-191-1■ |
| 1 | SPL250 | 2.500-10 | 3.750 | 6.062 | EY 250-4-201-1X■ |
| 1 | 1710 | 2.500-10 | 3.750 | 5.625 | EY 6-4-6611■ |
| 1 | 1710 | 2.500-10 | 3.750 | 5.625 | EY 6-4-6611-1■ |
| 1 | 1710 | 2.500-10 | 3.750 | 5.625 | EY 6-4-6921-1X■ |
| 1 | 1710 | 2.500-10 | 3.750 | 5.625 | EY 6-4-6921X■ |

| Pos | Series | Spline Data | Hub Dia | * to End of Hub | End Fitting Part Number |
|----------------------------|--------|-------------|---------|-----------------|-------------------------|
| T-11607 (Continued) | | | | | |
| 1 | 1760 | 2.500-10 | 3.750 | 6.000 | EY 6.3-4-651■ |
| 1 | 1760 | 2.500-10 | 3.750 | 6.031 | EY 6.3-4-651-1■ |
| 1 | 1760 | 2.500-10 | 3.750 | 6.031 | EY 6.3-4-781-1X■ |
| 1 | 1760 | 2.500-10 | 3.750 | 6.000 | EY 6.3-4-781X■ |
| 1 | 1810 | 2.500-10 | 3.750 | 5.875 | EY 6.5-4-3451■ |
| 1 | 1810 | 2.500-10 | 3.750 | 5.875 | EY 6.5-4-3451-1■ |
| 1 | 1810 | 2.500-10 | 3.750 | 5.875 | EY 6.5-4-3551-1X■ |
| 1 | 1810 | 2.500-10 | 3.750 | 5.875 | EY 6.5-4-3551X■ |

| | | | | | |
|----------------|------|----------|-------|-------|----------------|
| T-11609 | | | | | |
| 1 | 1610 | 2.250-10 | 3.750 | 5.750 | EY 5-4-7391-1X |

| | | | | | |
|----------------|--------|----------|-------|-------|-------------------|
| T-11610 | | | | | |
| 1 | 1710 | 2.500-10 | 3.750 | 3.625 | CF 6-1-5541 |
| 1 | 1710 | 2.500-10 | 3.750 | 3.625 | CF 6-1-5651X |
| 1 | 1810 | 2.500-10 | 3.750 | 3.625 | CF 6.5-1-2271 |
| 1 | 1810 | 2.500-10 | 3.750 | 3.625 | CF 6.5-1-2351X |
| 1 | SPL140 | 2.500-10 | 3.750 | 5.960 | EY 140-4-41-1 |
| 1 | SPL140 | 2.500-10 | 3.750 | 5.960 | EY 140-4-51-1X |
| 1 | SPL170 | 2.500-10 | 3.750 | 5.750 | EY 170-4-471-1■ |
| 1 | SPL170 | 2.500-10 | 3.750 | 5.750 | EY 170-4-481-1X■ |
| 1 | SPL250 | 2.500-10 | 3.750 | 6.062 | EY 250-4-191-1■ |
| 1 | SPL250 | 2.500-10 | 3.750 | 6.062 | EY 250-4-201-1X■ |
| 1 | 1610 | 2.500-10 | 3.750 | 6.125 | EY 5-4-4971■ |
| 1 | 1710 | 2.500-10 | 3.750 | 5.625 | EY 6-4-6611■ |
| 1 | 1710 | 2.500-10 | 3.750 | 5.625 | EY 6-4-6611-1■ |
| 1 | 1710 | 2.500-10 | 3.750 | 5.625 | EY 6-4-6921-1X■ |
| 1 | 1710 | 2.500-10 | 3.750 | 5.625 | EY 6-4-6921X■ |
| 1 | 1760 | 2.500-10 | 3.750 | 6.000 | EY 6.3-4-651■ |
| 1 | 1760 | 2.500-10 | 3.750 | 6.031 | EY 6.3-4-651-1■ |
| 1 | 1760 | 2.500-10 | 3.750 | 6.031 | EY 6.3-4-781-1X■ |
| 1 | 1760 | 2.500-10 | 3.750 | 6.000 | EY 6.3-4-781X■ |
| 1 | 1810 | 2.500-10 | 3.750 | 5.875 | EY 6.5-4-3451■ |
| 1 | 1810 | 2.500-10 | 3.750 | 5.875 | EY 6.5-4-3451-1■ |
| 1 | 1810 | 2.500-10 | 3.750 | 5.875 | EY 6.5-4-3551-1X■ |
| 1 | 1810 | 2.500-10 | 3.750 | 5.875 | EY 6.5-4-3551X■ |

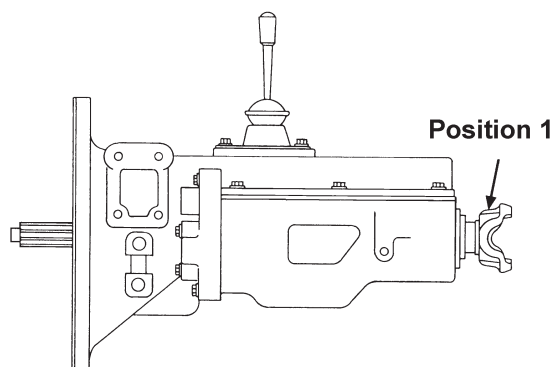
| | | | | | |
|----------------|--------|----------|-------|-------|-------------------|
| T-14607 | | | | | |
| 1 | SPL140 | 2.544-49 | 3.750 | 5.570 | EY 140-4-141-1 |
| 1 | SPL140 | 2.544-49 | 3.750 | 5.570 | EY 140-4-151-1X |
| 1 | SPL170 | 2.544-49 | 3.750 | 6.000 | EY 170-4-411-1■ |
| 1 | SPL170 | 2.544-49 | 3.750 | 6.000 | EY 170-4-421-1X■ |
| 1 | SPL250 | 2.544-49 | 3.750 | 6.250 | EY 250-4-151-1■ |
| 1 | SPL250 | 2.544-49 | 3.750 | 6.250 | EY 250-4-161-1X■ |
| 1 | 1710 | 2.544-49 | 3.755 | 5.625 | EY 6-4-7041-1X■ |
| 1 | 1710 | 2.544-49 | 3.755 | 5.625 | EY 6-4-7041X■ |
| 1 | 1710 | 2.544-49 | 3.755 | 5.625 | EY 6-4-7051■ |
| 1 | 1710 | 2.544-49 | 3.755 | 5.625 | EY 6-4-7051-1■ |
| 1 | 1760 | 2.544-49 | 3.750 | 6.031 | EY 6.3-4-771-1X■ |
| 1 | 1760 | 2.544-49 | 3.750 | 6.031 | EY 6.3-4-771X■ |
| 1 | 1760 | 2.544-49 | 3.750 | 6.031 | EY 6.3-4-811■ |
| 1 | 1760 | 2.544-49 | 3.750 | 6.031 | EY 6.3-4-811-1■ |
| 1 | 1810 | 2.024-39 | 3.000 | 5.188 | EY 6.5-4-2471 |
| 1 | 1810 | 2.544-49 | 3.750 | 5.875 | EY 6.5-4-3611■ |
| 1 | 1810 | 2.544-49 | 3.750 | 5.875 | EY 6.5-4-3611-1■ |
| 1 | 1810 | 2.544-49 | 3.750 | 5.875 | EY 6.5-4-3621-1X■ |
| 1 | 1810 | 2.544-49 | 3.750 | 5.875 | EY 6.5-4-3621X■ |

*C/L to End of Hub for EY (End Yoke); Flange Face to End of Hub for CF (Companion Flange)

■ Hub machined for speedometer gear



Important: See Safety Information in General Information Section (J300P-GI)



| Pos | Series | Spline Data | Hub Dia | * to End of Hub | End Fitting Part Number |
|-----|--------|-------------|---------|-----------------|-------------------------|
|-----|--------|-------------|---------|-----------------|-------------------------|

TA-4510

| | | | | | |
|---|--------|----------|-------|-------|-------------------|
| 1 | 1710 | 2.500-10 | 3.750 | 3.625 | CF 6-1-5541 |
| 1 | 1710 | 2.500-10 | 3.750 | 3.625 | CF 6-1-5651X |
| 1 | 1810 | 2.500-10 | 3.750 | 3.625 | CF 6.5-1-2271 |
| 1 | 1810 | 2.500-10 | 3.750 | 3.625 | CF 6.5-1-2351X |
| 1 | SPL140 | 2.500-10 | 3.750 | 5.960 | EY 140-4-41-1 |
| 1 | SPL140 | 2.500-10 | 3.750 | 5.960 | EY 140-4-51-1X |
| 1 | SPL170 | 2.500-10 | 3.750 | 5.750 | EY 170-4-471-1■ |
| 1 | SPL170 | 2.500-10 | 3.750 | 5.750 | EY 170-4-481-1X■ |
| 1 | SPL250 | 2.500-10 | 3.750 | 6.062 | EY 250-4-191-1■ |
| 1 | SPL250 | 2.500-10 | 3.750 | 6.062 | EY 250-4-201-1X■ |
| 1 | 1710 | 2.500-10 | 3.750 | 5.625 | EY 6-4-6611■ |
| 1 | 1710 | 2.500-10 | 3.750 | 5.625 | EY 6-4-6611-1■ |
| 1 | 1710 | 2.500-10 | 3.750 | 5.625 | EY 6-4-6921-1X■ |
| 1 | 1710 | 2.500-10 | 3.750 | 5.625 | EY 6-4-6921X■ |
| 1 | 1760 | 2.500-10 | 3.750 | 6.000 | EY 6.3-4-651■ |
| 1 | 1760 | 2.500-10 | 3.750 | 6.031 | EY 6.3-4-651-1■ |
| 1 | 1760 | 2.500-10 | 3.750 | 6.031 | EY 6.3-4-781-1X■ |
| 1 | 1760 | 2.500-10 | 3.750 | 6.000 | EY 6.3-4-781X■ |
| 1 | 1810 | 2.500-10 | 3.750 | 5.875 | EY 6.5-4-3551-1X■ |
| 1 | 1810 | 2.500-10 | 3.750 | 5.875 | EY 6.5-4-3551X■ |
| 1 | 1860 | 2.500-10 | 3.750 | 5.875 | EY 6.5-4-3451■ |
| 1 | 1860 | 2.500-10 | 3.750 | 5.875 | EY 6.5-4-3451-1■ |

TO-905

| | | | | | |
|---|-------|----------|-------|-------|--|
| 1 | 1610 | 2.250-10 | 3.500 | 3.625 | CF 5-1-6331 |
| 1 | 1710 | 2.250-10 | 3.500 | 3.688 | CF 6-1-951 |
| 1 | 1810 | 2.250-10 | 3.500 | 3.688 | CF 6.5-1-151 |
| 1 | SPL90 | 2.250-10 | 3.500 | 5.219 | EY 90-4-151-1X |
| 1 | SPL90 | 2.250-10 | 3.750 | 5.219 | EY 90-4-171-1X |
| | | | | | <i>Change seal to service older trans.</i> |
| 1 | 1610 | 2.250-10 | 3.500 | 5.750 | EY 5-4-4961 |
| 1 | 1610 | 2.250-10 | 3.500 | 5.750 | EY 5-4-4961-1 |
| 1 | 1610 | 2.250-10 | 3.750 | 5.750 | EY 5-4-7391-1X |
| 1 | 1710 | 2.250-10 | 3.500 | 5.250 | EY 6-4-6861 |
| 1 | 1710 | 2.250-10 | 3.500 | 5.250 | EY 6-4-6861-1 |
| 1 | 1710 | 2.250-10 | 3.500 | 5.250 | EY 6-4-6901-1X |
| 1 | 1710 | 2.250-10 | 3.750 | 5.250 | EY 6-4-7381-1X |
| | | | | | <i>Change seal to service older trans.</i> |
| 1 | 1760 | 2.250-10 | 3.750 | 5.625 | EY 6.3-4-1101-1X |
| | | | | | <i>Change seal to service older trans.</i> |
| 1 | 1760 | 2.250-10 | 3.500 | 5.656 | EY 6.3-4-701-1 |
| 1 | 1810 | 2.250-10 | 3.500 | 5.844 | EY 6.5-4-2021 |

| Pos | Series | Spline Data | Hub Dia | * to End of Hub | End Fitting Part Number |
|-----|--------|-------------|---------|-----------------|-------------------------|
|-----|--------|-------------|---------|-----------------|-------------------------|

TO-955-AL, TO-955-ALL

| | | | | | |
|---|--------|----------|-------|-------|-------------------|
| 1 | 1710 | 2.500-10 | 3.750 | 3.625 | CF 6-1-5541 |
| 1 | 1710 | 2.500-10 | 3.750 | 3.625 | CF 6-1-5651X |
| 1 | 1810 | 2.500-10 | 3.750 | 3.625 | CF 6.5-1-2271 |
| 1 | 1810 | 2.500-10 | 3.750 | 3.625 | CF 6.5-1-2351X |
| 1 | SPL140 | 2.500-10 | 3.750 | 5.960 | EY 140-4-41-1 |
| 1 | SPL140 | 2.500-10 | 3.750 | 5.960 | EY 140-4-51-1X |
| 1 | SPL170 | 2.500-10 | 3.750 | 5.750 | EY 170-4-471-1■ |
| 1 | SPL170 | 2.500-10 | 3.750 | 5.750 | EY 170-4-481-1X■ |
| 1 | SPL250 | 2.500-10 | 3.750 | 6.062 | EY 250-4-191-1■ |
| 1 | SPL250 | 2.500-10 | 3.750 | 6.062 | EY 250-4-201-1X■ |
| 1 | 1610 | 2.500-10 | 3.750 | 6.125 | EY 5-4-4971■ |
| 1 | 1710 | 2.500-10 | 3.750 | 5.625 | EY 6-4-6611■ |
| 1 | 1710 | 2.500-10 | 3.750 | 5.625 | EY 6-4-6611-1■ |
| 1 | 1710 | 2.500-10 | 3.750 | 5.625 | EY 6-4-6921-1X■ |
| 1 | 1710 | 2.500-10 | 3.750 | 5.625 | EY 6-4-6921X■ |
| 1 | 1760 | 2.500-10 | 3.750 | 6.000 | EY 6.3-4-651■ |
| 1 | 1760 | 2.500-10 | 3.750 | 6.031 | EY 6.3-4-651-1■ |
| 1 | 1760 | 2.500-10 | 3.750 | 6.031 | EY 6.3-4-781-1X■ |
| 1 | 1760 | 2.500-10 | 3.750 | 6.000 | EY 6.3-4-781X■ |
| 1 | 1760 | 2.500-10 | 3.750 | 6.000 | EY 6.3-4-781X■ |
| 1 | 1810 | 2.500-10 | 3.750 | 5.875 | EY 6.5-4-3551-1X■ |
| 1 | 1810 | 2.500-10 | 3.750 | 5.875 | EY 6.5-4-3551X■ |
| 1 | 1810 | 2.500-10 | 3.750 | 5.875 | EY 6.5-4-3451-1■ |
| 1 | 1810 | 2.500-10 | 3.750 | 5.875 | EY 6.5-4-3551-1X■ |
| 1 | 1810 | 2.500-10 | 3.750 | 5.875 | EY 6.5-4-3551X■ |

TS-1308-A

| | | | | | |
|---|--------|----------|-------|-------|------------------|
| 1 | 1810 | 2.750-10 | 3.750 | 4.062 | CF 6.5-1-2361X |
| 1 | SPL140 | 2.750-10 | 3.750 | 6.570 | EY 140-4-81-1 |
| 1 | SPL140 | 2.750-10 | 3.750 | 6.570 | EY 140-4-91-1X |
| 1 | SPL170 | 2.750-10 | 3.750 | 5.850 | EY 170-4-511-1 |
| 1 | SPL170 | 2.750-10 | 3.750 | 5.850 | EY 170-4-521-1X |
| 1 | SPL250 | 2.750-10 | 3.750 | 6.297 | EY 250-4-231-1 |
| 1 | SPL250 | 2.750-10 | 3.750 | 6.297 | EY 250-4-241-1X |
| 1 | 1710 | 2.750-10 | 3.750 | 5.750 | EY 6-4-6931-1X |
| 1 | 1710 | 2.750-10 | 3.750 | 5.750 | EY 6-4-6931X |
| 1 | 1760 | 2.750-10 | 3.750 | 5.969 | EY 6.3-4-791-1X |
| 1 | 1760 | 2.750-10 | 3.750 | 5.969 | EY 6.3-4-791X |
| 1 | 1810 | 2.750-10 | 3.750 | 6.062 | EY 6.5-4-3561-1X |
| 1 | 1810 | 2.750-10 | 3.750 | 6.062 | EY 6.5-4-3561X |

TS-1312-A

| | | | | | |
|---|--------|----------|-------|-------|----------------|
| 1 | 1810 | 2.750-10 | 3.750 | 4.062 | CF 6.5-1-2311 |
| 1 | 1810 | 2.750-10 | 3.750 | 4.062 | CF 6.5-1-2361X |
| 1 | SPL140 | 2.750-10 | 3.750 | 6.570 | EY 140-4-81-1 |
| 1 | SPL140 | 2.750-10 | 3.750 | 6.570 | EY 140-4-91-1X |

*C/L to End of Hub for EY (End Yoke); Flange Face to End of Hub for CF (Companion Flange)

■ Hub machined for speedometer gear



| Pos | Series | Spline Data | Hub Dia | * to End of Hub | End Fitting Part Number |
|------------------------------|--------|-------------|---------|-----------------|-------------------------|
| TS-1312-A (Continued) | | | | | |
| 1 | SPL170 | 2.750-10 | 3.750 | 5.850 | EY 170-4-511-1 |
| 1 | SPL170 | 2.750-10 | 3.750 | 5.850 | EY 170-4-521-1X |
| 1 | SPL250 | 2.750-10 | 3.750 | 6.297 | EY 250-4-231-1 |
| 1 | SPL250 | 2.750-10 | 3.750 | 6.297 | EY 250-4-241-1X |
| 1 | 1710 | 2.750-10 | 3.750 | 5.750 | EY 6-4-6821 |
| 1 | 1710 | 2.750-10 | 3.750 | 5.750 | EY 6-4-6821-1 |
| 1 | 1710 | 2.750-10 | 3.750 | 5.750 | EY 6-4-6931-1X |
| 1 | 1710 | 2.750-10 | 3.750 | 5.750 | EY 6-4-6931X |
| 1 | 1760 | 2.750-10 | 3.750 | 5.969 | EY 6.3-4-711 |
| 1 | 1760 | 2.750-10 | 3.750 | 5.969 | EY 6.3-4-711-1 |
| 1 | 1760 | 2.750-10 | 3.750 | 5.969 | EY 6.3-4-791-1X |
| 1 | 1760 | 2.750-10 | 3.750 | 5.969 | EY 6.3-4-791X |
| 1 | 1810 | 2.750-10 | 3.750 | 6.062 | EY 6.5-4-3491 |
| 1 | 1810 | 2.750-10 | 3.750 | 6.062 | EY 6.5-4-3491-1 |
| 1 | 1810 | 2.750-10 | 3.750 | 6.062 | EY 6.5-4-3561-1X |
| 1 | 1810 | 2.750-10 | 3.750 | 6.062 | EY 6.5-4-3561X |

| | | | | | |
|-----------------|------|----------|-------|-------|-----------------|
| TS-11612 | | | | | |
| 1 | 1760 | 2.794-54 | 3.750 | 5.970 | EY 6.3-4-1051-1 |

| 2 SPEED 92 | | | | | |
|-------------------|--------|----------|-------|-------|-----------------|
| 1 | 1610 | 2.250-10 | 3.500 | 3.625 | CF 5-1-6331 |
| 1 | 1810 | 2.250-10 | 3.500 | 3.688 | CF 6.5-1-151 |
| 1 | SPL170 | 2.250-10 | 3.500 | 5.750 | EY 170-4-451-1 |
| 1 | SPL170 | 2.250-10 | 3.500 | 5.750 | EY 170-4-461-1X |
| 1 | SPL90 | 2.250-10 | 3.500 | 5.219 | EY 90-4-151-1X |
| 1 | SPL90 | 2.250-10 | 3.500 | 5.219 | EY 90-4-401-1 |
| 1 | 1610 | 2.250-10 | 3.500 | 5.750 | EY 5-4-4961 |
| 1 | 1610 | 2.250-10 | 3.500 | 5.750 | EY 5-4-4961-1 |
| 1 | 1710 | 2.250-10 | 3.500 | 5.250 | EY 6-4-6861 |
| 1 | 1710 | 2.250-10 | 3.500 | 5.250 | EY 6-4-6861-1 |
| 1 | 1710 | 2.250-10 | 3.500 | 5.250 | EY 6-4-6901-1X |
| 1 | 1810 | 2.250-10 | 3.500 | 5.844 | EY 6.5-4-2021 |

| 3 SPEED 65 | | | | | |
|-------------------|--------|----------|-------|-------|-----------------|
| 1 | 1610 | 2.250-10 | 3.500 | 3.625 | CF 5-1-6331 |
| 1 | 1810 | 2.250-10 | 3.500 | 3.688 | CF 6.5-1-151 |
| 1 | SPL170 | 2.250-10 | 3.500 | 5.750 | EY 170-4-451-1 |
| 1 | SPL170 | 2.250-10 | 3.500 | 5.750 | EY 170-4-461-1X |
| 1 | SPL90 | 2.250-10 | 3.500 | 5.219 | EY 90-4-401-1 |
| 1 | 1610 | 2.250-10 | 3.500 | 5.750 | EY 5-4-4961 |
| 1 | 1610 | 2.250-10 | 3.500 | 5.750 | EY 5-4-4961-1 |
| 1 | 1710 | 2.250-10 | 3.500 | 5.250 | EY 6-4-6861 |
| 1 | 1710 | 2.250-10 | 3.500 | 5.250 | EY 6-4-6861-1 |
| 1 | 1710 | 2.250-10 | 3.500 | 5.250 | EY 6-4-6901-1X |
| 1 | 1810 | 2.250-10 | 3.500 | 5.844 | EY 6.5-4-2021 |

| 3 SPEED 92 | | | | | |
|-------------------|--------|----------|-------|-------|-----------------|
| 1 | 1610 | 2.250-10 | 3.500 | 3.625 | CF 5-1-6331 |
| 1 | 1810 | 2.250-10 | 3.500 | 3.688 | CF 6.5-1-151 |
| 1 | SPL170 | 2.250-10 | 3.500 | 5.750 | EY 170-4-451-1 |
| 1 | SPL170 | 2.250-10 | 3.500 | 5.750 | EY 170-4-461-1X |
| 1 | SPL90 | 2.250-10 | 3.500 | 5.219 | EY 90-4-151-1X |
| 1 | SPL90 | 2.250-10 | 3.500 | 5.219 | EY 90-4-401-1 |
| 1 | 1610 | 2.250-10 | 3.500 | 5.750 | EY 5-4-4961 |
| 1 | 1610 | 2.250-10 | 3.500 | 5.750 | EY 5-4-4961-1 |
| 1 | 1710 | 2.250-10 | 3.500 | 5.250 | EY 6-4-6861 |
| 1 | 1710 | 2.250-10 | 3.500 | 5.250 | EY 6-4-6861-1 |
| 1 | 1710 | 2.250-10 | 3.500 | 5.250 | EY 6-4-6901-1X |
| 1 | 1810 | 2.250-10 | 3.500 | 5.844 | EY 6.5-4-2021 |

| Pos | Series | Spline Data | Hub Dia | * to End of Hub | End Fitting Part Number |
|-------------------|--------|-------------|---------|-----------------|-------------------------|
| 4 SPEED 75 | | | | | |
| 1 | 1610 | 2.250-10 | 3.500 | 3.625 | CF 5-1-6331 |
| 1 | 1810 | 2.250-10 | 3.500 | 3.688 | CF 6.5-1-151 |
| 1 | SPL170 | 2.250-10 | 3.500 | 5.750 | EY 170-4-451-1 |
| 1 | SPL170 | 2.250-10 | 3.500 | 5.750 | EY 170-4-461-1X |
| 1 | SPL90 | 2.250-10 | 3.500 | 5.219 | EY 90-4-151-1X |
| 1 | SPL90 | 2.250-10 | 3.500 | 5.219 | EY 90-4-401-1 |
| 1 | 1610 | 2.250-10 | 3.500 | 5.750 | EY 5-4-4961 |
| 1 | 1610 | 2.250-10 | 3.500 | 5.750 | EY 5-4-4961-1 |
| 1 | 1710 | 2.250-10 | 3.500 | 5.250 | EY 6-4-6861 |
| 1 | 1710 | 2.250-10 | 3.500 | 5.250 | EY 6-4-6861-1 |
| 1 | 1710 | 2.250-10 | 3.500 | 5.250 | EY 6-4-6901-1X |

| 4-A-86, 4-A-112, 4-A-860 | | | | | |
|---------------------------------|--------|----------|-------|-------|-----------------|
| 1 | 1610 | 2.250-10 | 3.500 | 3.625 | CF 5-1-6331 |
| 1 | 1810 | 2.250-10 | 3.500 | 3.688 | CF 6.5-1-151 |
| 1 | SPL170 | 2.250-10 | 3.500 | 5.750 | EY 170-4-451-1 |
| 1 | SPL170 | 2.250-10 | 3.500 | 5.750 | EY 170-4-461-1X |
| 1 | SPL90 | 2.250-10 | 3.500 | 5.219 | EY 90-4-151-1X |
| 1 | SPL90 | 2.250-10 | 3.500 | 5.219 | EY 90-4-401-1 |
| 1 | 1550 | 2.250-10 | 3.500 | 5.125 | EY 4-4-3501-1 |
| 1 | 1610 | 2.250-10 | 3.500 | 5.750 | EY 5-4-4961 |
| 1 | 1610 | 2.250-10 | 3.500 | 5.750 | EY 5-4-4961-1 |
| 1 | 1710 | 2.250-10 | 3.500 | 5.250 | EY 6-4-6861 |
| 1 | 1710 | 2.250-10 | 3.500 | 5.250 | EY 6-4-6861-1 |
| 1 | 1710 | 2.250-10 | 3.500 | 5.250 | EY 6-4-6901-1X |
| 1 | 1810 | 2.250-10 | 3.500 | 5.844 | EY 6.5-4-2021 |

| 4-F-1440 | | | | | |
|-----------------|--------|----------|-------|-------|------------------|
| 1 | 1810 | 2.750-10 | 3.750 | 4.062 | CF 6.5-1-2311 |
| 1 | 1810 | 2.750-10 | 3.750 | 4.062 | CF 6.5-1-2361X |
| 1 | SPL140 | 2.750-10 | 3.750 | 6.570 | EY 140-4-91-1X |
| 1 | SPL170 | 2.750-10 | 3.750 | 5.850 | EY 170-4-511-1 |
| 1 | SPL170 | 2.750-10 | 3.750 | 5.850 | EY 170-4-521-1X |
| 1 | SPL250 | 2.750-10 | 3.750 | 6.297 | EY 250-4-231-1 |
| 1 | SPL250 | 2.750-10 | 3.750 | 6.297 | EY 250-4-241-1X |
| 1 | 1710 | 2.750-10 | 3.750 | 5.750 | EY 6-4-6821 |
| 1 | 1710 | 2.750-10 | 3.750 | 5.750 | EY 6-4-6821-1 |
| 1 | 1710 | 2.750-10 | 3.750 | 5.750 | EY 6-4-6931-1X |
| 1 | 1710 | 2.750-10 | 3.750 | 5.750 | EY 6-4-6931X |
| 1 | 1760 | 2.750-10 | 3.750 | 5.969 | EY 6.3-4-711 |
| 1 | 1760 | 2.750-10 | 3.750 | 5.969 | EY 6.3-4-711-1 |
| 1 | 1760 | 2.750-10 | 3.750 | 5.969 | EY 6.3-4-791-1X |
| 1 | 1760 | 2.750-10 | 3.750 | 5.969 | EY 6.3-4-791X |
| 1 | 1810 | 2.750-10 | 3.750 | 6.062 | EY 6.5-4-3491 |
| 1 | 1810 | 2.750-10 | 3.750 | 6.062 | EY 6.5-4-3491-1 |
| 1 | 1810 | 2.750-10 | 3.750 | 6.062 | EY 6.5-4-3561-1X |
| 1 | 1810 | 2.750-10 | 3.750 | 6.062 | EY 6.5-4-3561X |

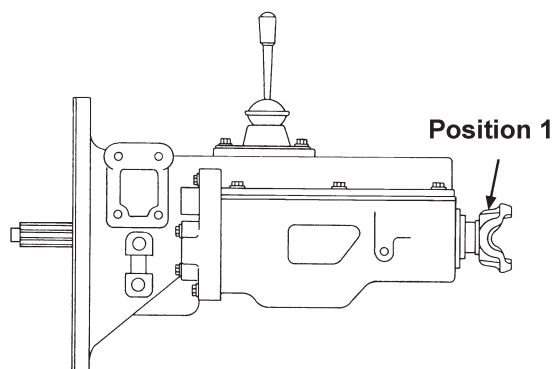
| 4-FS-1440 | | | | | |
|------------------|--------|----------|-------|-------|-----------------|
| 1 | SPL140 | 2.750-10 | 3.750 | 6.570 | EY 140-4-81-1 |
| 1 | SPL140 | 2.750-10 | 3.750 | 6.570 | EY 140-4-91-1X |
| 1 | SPL170 | 2.750-10 | 3.750 | 5.850 | EY 170-4-511-1 |
| 1 | SPL170 | 2.750-10 | 3.750 | 5.850 | EY 170-4-521-1X |
| 1 | SPL250 | 2.750-10 | 3.750 | 6.297 | EY 250-4-231-1 |
| 1 | SPL250 | 2.750-10 | 3.750 | 6.297 | EY 250-4-241-1X |
| 1 | 1710 | 2.750-10 | 3.750 | 5.750 | EY 6-4-6821 |
| 1 | 1710 | 2.750-10 | 3.750 | 5.750 | EY 6-4-6821-1 |
| 1 | 1710 | 2.750-10 | 3.750 | 5.750 | EY 6-4-6931-1X |
| 1 | 1710 | 2.750-10 | 3.750 | 5.750 | EY 6-4-6931X |
| 1 | 1760 | 2.750-10 | 3.750 | 5.969 | EY 6.3-4-711 |

*C/L to End of Hub for EY (End Yoke); Flange Face to End of Hub for CF (Companion Flange)

■ Hub machined for speedometer gear



Important: See Safety Information in General Information Section (J300P-GI)



| Pos | Series | Spline Data | Hub Dia | * to End of Hub | End Fitting Part Number |
|-----|--------|-------------|---------|-----------------|-------------------------|
|-----|--------|-------------|---------|-----------------|-------------------------|

4-FS-1440 (Continued)

| | | | | | |
|---|------|----------|-------|-------|------------------|
| 1 | 1760 | 2.750-10 | 3.750 | 5.969 | EY 6.3-4-711-1 |
| 1 | 1760 | 2.750-10 | 3.750 | 5.969 | EY 6.3-4-791-1X |
| 1 | 1760 | 2.750-10 | 3.750 | 5.969 | EY 6.3-4-791X |
| 1 | 1810 | 2.750-10 | 3.750 | 6.062 | EY 6.5-4-3491 |
| 1 | 1810 | 2.750-10 | 3.750 | 6.062 | EY 6.5-4-3491-1 |
| 1 | 1810 | 2.750-10 | 3.750 | 6.062 | EY 6.5-4-3561-1X |
| 1 | 1810 | 2.750-10 | 3.750 | 6.062 | EY 6.5-4-3561X |

4-MS-1440

| | | | | | |
|---|--------|----------|-------|-------|--|
| 1 | 1810 | 2.750-10 | 3.750 | 4.062 | CF 6.5-1-2361X <i>Can be used w/brake</i> |
| 1 | SPL140 | 2.750-10 | 3.750 | 6.570 | EY 140-4-81-1 <i>Can be used w/brake</i> |
| 1 | SPL140 | 2.750-10 | 3.750 | 6.570 | EY 140-4-91-1X <i>Can be used w/brake</i> |
| 1 | SPL170 | 2.750-10 | 3.750 | 5.850 | EY 170-4-511-1 <i>Can be used w/brake</i> |
| 1 | SPL170 | 2.750-10 | 3.750 | 5.850 | EY 170-4-521-1X <i>Can be used w/brake</i> |
| 1 | SPL250 | 2.750-10 | 3.750 | 6.297 | EY 250-4-231-1 <i>Can be used w/brake</i> |
| 1 | SPL250 | 2.750-10 | 3.750 | 6.297 | EY 250-4-241-1X <i>Can be used w/brake</i> |
| 1 | 1710 | 2.750-10 | 3.750 | 5.750 | EY 6-4-6931-1X <i>Can be used w/brake</i> |
| 1 | 1710 | 2.750-10 | 3.750 | 5.750 | EY 6-4-6931X <i>Can be used w/brake</i> |
| 1 | 1760 | 2.750-10 | 3.750 | 5.969 | EY 6.3-4-791-1X <i>Can be used w/brake</i> |
| 1 | 1760 | 2.750-10 | 3.750 | 5.969 | EY 6.3-4-791X <i>Can be used w/brake</i> |
| 1 | 1810 | 2.750-10 | 3.750 | 6.062 | EY 6.5-4-3561-1X <i>Can be used w/brake</i> |
| 1 | 1810 | 2.750-10 | 3.750 | 6.062 | EY 6.5-4-3561X <i>Can be used w/brake</i> |

5-A-1120

| | | | | | |
|---|-------|----------|-------|-------|----------------|
| 1 | 1610 | 2.250-10 | 3.500 | 3.625 | CF 5-1-6331 |
| 1 | 1710 | 2.250-10 | 3.500 | 3.688 | CF 6-1-951 |
| 1 | 1810 | 2.250-10 | 3.500 | 3.688 | CF 6.5-1-151 |
| 1 | SPL90 | 2.250-10 | 3.500 | 5.219 | EY 90-4-151-1X |
| 1 | SPL90 | 2.250-10 | 3.500 | 5.219 | EY 90-4-401-1 |
| 1 | 1550 | 2.250-10 | 3.500 | 5.125 | EY 4-4-3501-1 |
| 1 | 1610 | 2.250-10 | 3.500 | 5.750 | EY 5-4-4961 |
| 1 | 1610 | 2.250-10 | 3.500 | 5.750 | EY 5-4-4961-1 |
| 1 | 1710 | 2.250-10 | 3.500 | 5.250 | EY 6-4-6861 |
| 1 | 1710 | 2.250-10 | 3.500 | 5.250 | EY 6-4-6861-1 |

| Pos | Series | Spline Data | Hub Dia | * to End of Hub | End Fitting Part Number |
|-----|--------|-------------|---------|-----------------|-------------------------|
|-----|--------|-------------|---------|-----------------|-------------------------|

5-A-1120 (Continued)

| | | | | | |
|---|------|----------|-------|-------|-----------------|
| 1 | 1710 | 2.250-10 | 3.500 | 5.250 | EY 6-4-6901-1X |
| 1 | 1760 | 2.250-10 | 3.500 | 5.656 | EY 6.3-4-701-1 |
| 1 | 1760 | 2.250-10 | 3.500 | 5.656 | EY 6.3-4-761-1X |
| 1 | 1810 | 2.250-10 | 3.500 | 5.844 | EY 6.5-4-2021 |

5-A-65, 5-A-650, 5-AW-65, 5-AW-650, 5-C-65, 5-C-650, 5-C-72, 5-C-720, 5-CW-65, 5-CW-650

| | | | | | |
|---|------|----------|-------|-------|-------------|
| 1 | 1610 | 2.000-10 | 3.250 | 3.625 | CF 5-1-931 |
| 1 | 1710 | 2.000-10 | 3.250 | 5.625 | EY 6-4-2001 |

5-F-1220, 5-G-1220

| | | | | | |
|---|-------|----------|-------|-------|-----------------|
| 1 | 1610 | 2.250-10 | 3.500 | 3.625 | CF 5-1-6331 |
| 1 | 1710 | 2.250-10 | 3.500 | 3.688 | CF 6-1-951 |
| 1 | 1810 | 2.250-10 | 3.500 | 3.688 | CF 6.5-1-151 |
| 1 | SPL90 | 2.250-10 | 3.500 | 5.219 | EY 90-4-151-1X |
| 1 | SPL90 | 2.250-10 | 3.500 | 5.219 | EY 90-4-401-1 |
| 1 | 1550 | 2.250-10 | 3.500 | 5.125 | EY 4-4-3501-1 |
| 1 | 1610 | 2.250-10 | 3.500 | 5.750 | EY 5-4-4961 |
| 1 | 1610 | 2.250-10 | 3.500 | 5.750 | EY 5-4-4961-1 |
| 1 | 1710 | 2.250-10 | 3.500 | 5.250 | EY 6-4-6861 |
| 1 | 1710 | 2.250-10 | 3.500 | 5.250 | EY 6-4-6861-1 |
| 1 | 1760 | 2.250-10 | 3.500 | 5.656 | EY 6.3-4-701-1 |
| 1 | 1760 | 2.250-10 | 3.500 | 5.656 | EY 6.3-4-761-1X |
| 1 | 1810 | 2.250-10 | 3.500 | 5.844 | EY 6.5-4-2021 |

5-H-74T, 5-H-75T, 5-H-740T, 5-HA-75T, 5-SPEED-65, 5-SPEED-74, 5-SPEED-75, 5-SPEED-650, 5-SPEED-740, 5-W-74

| | | | | | |
|---|------|----------|-------|-------|-------------|
| 1 | 1610 | 2.000-10 | 3.250 | 3.625 | CF 5-1-931 |
| 1 | 1710 | 2.000-10 | 3.250 | 5.625 | EY 6-4-2001 |

10-A-1120, 10-B-1120, 10-C-1120, 10-F-1120, 10-FA-65, 10-FA-650, 10-FB-65, 10-FB-650

| | | | | | |
|---|-------|----------|-------|-------|-----------------|
| 1 | 1610 | 2.250-10 | 3.500 | 3.625 | CF 5-1-6331 |
| 1 | 1710 | 2.250-10 | 3.500 | 3.688 | CF 6-1-951 |
| 1 | 1810 | 2.250-10 | 3.500 | 3.688 | CF 6.5-1-151 |
| 1 | SPL90 | 2.250-10 | 3.500 | 5.219 | EY 90-4-151-1X |
| 1 | SPL90 | 2.250-10 | 3.500 | 5.219 | EY 90-4-401-1 |
| 1 | 1550 | 2.250-10 | 3.500 | 5.125 | EY 4-4-3501-1 |
| 1 | 1610 | 2.250-10 | 3.500 | 5.750 | EY 5-4-4961 |
| 1 | 1610 | 2.250-10 | 3.500 | 5.750 | EY 5-4-4961-1 |
| 1 | 1710 | 2.250-10 | 3.500 | 5.250 | EY 6-4-6861 |
| 1 | 1710 | 2.250-10 | 3.500 | 5.250 | EY 6-4-6861-1 |
| 1 | 1710 | 2.250-10 | 3.500 | 5.250 | EY 6-4-6901-1X |
| 1 | 1760 | 2.250-10 | 3.500 | 5.656 | EY 6.3-4-701-1 |
| 1 | 1760 | 2.250-10 | 3.500 | 5.656 | EY 6.3-4-761-1X |
| 1 | 1810 | 2.250-10 | 3.500 | 5.844 | EY 6.5-4-2021 |

*C/L to End of Hub for EY (End Yoke); Flange Face to End of Hub for CF (Companion Flange)

■ Hub machined for speedometer gear



| Pos | Series | Spline Data | Hub Dia | * to End of Hub | End Fitting Part Number |
|---|--------|-------------|---------|-----------------|-------------------------|
| 10-SPEED-65, 10-SPEED-650, 10-SPEED-1120 | | | | | |
| 1 | 1610 | 2.250-10 | 3.500 | 3.625 | CF 5-1-6331 |
| 1 | 1810 | 2.250-10 | 3.500 | 3.688 | CF 6.5-1-151 |
| 1 | SPL170 | 2.250-10 | 3.500 | 5.750 | EY 170-4-451-1 |
| 1 | SPL170 | 2.250-10 | 3.500 | 5.750 | EY 170-4-461-1X |
| 1 | SPL90 | 2.250-10 | 3.500 | 5.219 | EY 90-4-151-1X |
| 1 | SPL90 | 2.250-10 | 3.500 | 5.219 | EY 90-4-401-1 |
| 1 | 1610 | 2.250-10 | 3.500 | 5.750 | EY 5-4-4961 |
| 1 | 1610 | 2.250-10 | 3.500 | 5.750 | EY 5-4-4961-1 |
| 1 | 1710 | 2.250-10 | 3.500 | 5.250 | EY 6-4-6861 |
| 1 | 1710 | 2.250-10 | 3.500 | 5.250 | EY 6-4-6861-1 |
| 1 | 1710 | 2.250-10 | 3.500 | 5.250 | EY 6-4-6901-1X |
| 1 | 1810 | 2.250-10 | 3.500 | 5.844 | EY 6.5-4-2021 |

| | | | | | |
|-----------------------------|-------|----------|-------|-------|-----------------|
| 15-G-1120, 15-H-1120 | | | | | |
| 1 | 1610 | 2.250-10 | 3.500 | 3.625 | CF 5-1-6331 |
| 1 | 1710 | 2.250-10 | 3.500 | 3.688 | CF 6-1-951 |
| 1 | 1810 | 2.250-10 | 3.500 | 3.688 | CF 6.5-1-151 |
| 1 | SPL90 | 2.250-10 | 3.500 | 5.219 | EY 90-4-151-1X |
| 1 | SPL90 | 2.250-10 | 3.500 | 5.219 | EY 90-4-401-1 |
| 1 | 1550 | 2.250-10 | 3.500 | 5.125 | EY 4-4-3501-1 |
| 1 | 1610 | 2.250-10 | 3.500 | 5.750 | EY 5-4-4961 |
| 1 | 1610 | 2.250-10 | 3.500 | 5.750 | EY 5-4-4961-1 |
| 1 | 1710 | 2.250-10 | 3.500 | 5.250 | EY 6-4-6861 |
| 1 | 1710 | 2.250-10 | 3.500 | 5.250 | EY 6-4-6861-1 |
| 1 | 1710 | 2.250-10 | 3.500 | 5.250 | EY 6-4-6901-1X |
| 1 | 1760 | 2.250-10 | 3.500 | 5.656 | EY 6.3-4-701-1 |
| 1 | 1760 | 2.250-10 | 3.500 | 5.656 | EY 6.3-4-761-1X |
| 1 | 1810 | 2.250-10 | 3.500 | 5.844 | EY 6.5-4-2021 |

| | | | | | |
|----------------------|--------|----------|-------|-------|-----------------|
| 15-SPEED-1120 | | | | | |
| 1 | 1610 | 2.250-10 | 3.500 | 3.625 | CF 5-1-6331 |
| 1 | 1810 | 2.250-10 | 3.500 | 3.688 | CF 6.5-1-151 |
| 1 | SPL170 | 2.250-10 | 3.500 | 5.750 | EY 170-4-451-1 |
| 1 | SPL170 | 2.250-10 | 3.500 | 5.750 | EY 170-4-461-1X |
| 1 | SPL90 | 2.250-10 | 3.500 | 5.219 | EY 90-4-151-1X |
| 1 | SPL90 | 2.250-10 | 3.500 | 5.219 | EY 90-4-401-1 |
| 1 | 1610 | 2.250-10 | 3.500 | 5.750 | EY 5-4-4961 |
| 1 | 1610 | 2.250-10 | 3.500 | 5.750 | EY 5-4-4961-1 |
| 1 | 1710 | 2.250-10 | 3.500 | 5.250 | EY 6-4-6861 |
| 1 | 1710 | 2.250-10 | 3.500 | 5.250 | EY 6-4-6861-1 |
| 1 | 1710 | 2.250-10 | 3.500 | 5.250 | EY 6-4-6901-1X |
| 1 | 1810 | 2.250-10 | 3.500 | 5.844 | EY 6.5-4-2021 |

| | | | | | |
|---------------------------------------|------|----------|-------|-------|-------------|
| 62, 65/650, 72/720, 74/740, 75 | | | | | |
| 1 | 1610 | 2.000-10 | 3.250 | 3.625 | CF 5-1-931 |
| 1 | 1710 | 2.000-10 | 3.250 | 5.625 | EY 6-4-2001 |

| | | | | | |
|-------------------|--------|----------|-------|-------|---------------|
| 140-4-41-1 | | | | | |
| 1 | SPL140 | 2.750-10 | 3.750 | 6.570 | EY 140-4-81-1 |

| | | | | | |
|-------------|------|----------|-------|-------|--|
| 5106 | | | | | |
| 1 | 1610 | 1.998-38 | 2.750 | 4.688 | CF 5-1-6471X <i>Can be used w/brake; Assy includes eight 6-73-725 bolts</i> |

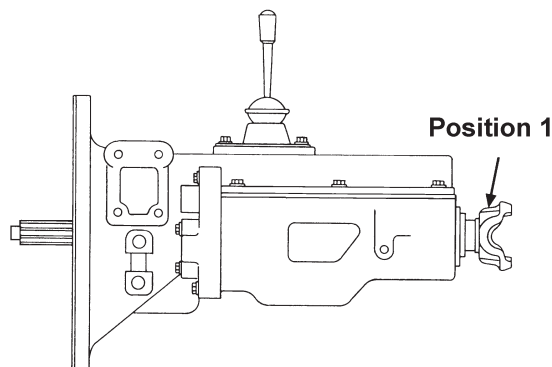
| Pos | Series | Spline Data | Hub Dia | * to End of Hub | End Fitting Part Number |
|-----|--------|-------------|---------|-----------------|-------------------------|
|-----|--------|-------------|---------|-----------------|-------------------------|

*C/L to End of Hub for EY (End Yoke); Flange Face to End of Hub for CF (Companion Flange)

■ Hub machined for speedometer gear



Important: See Safety Information in General Information Section (J300P-GI)



| Pos | Series | Spline Data | Hub Dia | * to End of Hub | End Fitting Part Number |
|-----|--------|-------------|---------|-----------------|-------------------------|
|-----|--------|-------------|---------|-----------------|-------------------------|

T-200

| | | | | | |
|--|--------|----------|-------|-------|------------------|
| 1 | 1810 | 2.374-46 | 3.750 | 3.109 | CF 6.5-1-2441■ |
| 1 | SPL170 | 2.374-46 | 3.750 | 5.190 | EY 170-4-1171-1 |
| 1 | SPL170 | 2.374-46 | 3.750 | 5.190 | EY 170-4-1191-1X |
| <i>Assy includes electronic speedometer gear #231528</i> | | | | | |
| 1 | SPL250 | 2.374-46 | 3.750 | 5.410 | EY 250-4-601-1 |
| 1 | SPL250 | 2.374-46 | 3.750 | 5.410 | EY 250-4-621-1X |
| <i>Assy includes electronic speedometer gear #231528</i> | | | | | |
| 1 | SPL250 | 2.374-46 | 3.750 | 6.650 | EY 250-4-791-1 |
| 1 | SPL250 | 2.374-46 | 3.750 | 6.650 | EY 250-4-801-1X |
| 1 | 1710 | 2.374-46 | 3.752 | 4.938 | EY 6-4-6601 |
| <i>Hub mach. for speedometer gear</i> | | | | | |
| 1 | 1710 | 2.374-46 | 3.752 | 4.938 | EY 6-4-6601-1 |
| <i>Hub mach. for speedometer gear</i> | | | | | |
| 1 | 1710 | 2.374-46 | 3.752 | 4.938 | EY 6-4-7881-1X |
| <i>W/mechanical speedo pickup</i> | | | | | |
| <i>Hub mach. for speedometer gear; Assy inc. mech. speedo gear</i> | | | | | |
| 1 | 1710 | 2.374-46 | 3.752 | 4.938 | EY 6-4-7881X |
| <i>W/mechanical speedo pickup</i> | | | | | |
| <i>Hub mach. for speedometer gear; Assy inc. mech. speedo gear</i> | | | | | |
| 1 | 1710 | 2.374-46 | 3.752 | 4.938 | EY 6-4-7891-1X |
| <i>W/Electronic speedo pickup</i> | | | | | |
| <i>Hub mach. for speedometer gear; Assy inc. elec. speedo gear</i> | | | | | |
| 1 | 1760 | 2.374-46 | 3.750 | 5.406 | EY 6.3-4-1271-1X |
| <i>W/mechanical speedo pickup</i> | | | | | |
| <i>Assy includes mechanical speedometer drive gear #231527</i> | | | | | |
| 1 | 1760 | 2.374-46 | 3.750 | 5.406 | EY 6.3-4-1281-1X |
| <i>W/Electronic speedo pickup</i> | | | | | |
| <i>Assy includes electronic speedometer gear #231528</i> | | | | | |
| 1 | 1760 | 2.374-46 | 3.750 | 5.406 | EY 6.3-4-1281X |
| <i>W/Electronic speedo pickup</i> | | | | | |
| <i>Assy includes electronic speedometer gear #231528</i> | | | | | |
| 1 | 1760 | 2.374-46 | 3.750 | 5.406 | EY 6.3-4-641 |
| 1 | 1760 | 2.374-46 | 3.750 | 5.406 | EY 6.3-4-641-1 |
| 1 | 1810 | 2.374-46 | 3.750 | 5.219 | EY 6.5-4-3441 |
| 1 | 1810 | 2.374-46 | 3.750 | 5.219 | EY 6.5-4-3441-1 |
| 1 | 1810 | 2.374-46 | 3.750 | 5.219 | EY 6.5-4-4001-1X |
| <i>W/mechanical speedo pickup</i> | | | | | |
| <i>Assy includes mechanical speedometer drive gear #231527</i> | | | | | |
| 1 | 1810 | 2.374-46 | 3.750 | 5.219 | EY 6.5-4-4001X |
| <i>W/mechanical speedo pickup</i> | | | | | |
| <i>Assy includes mechanical speedometer drive gear #231527</i> | | | | | |
| 1 | 1810 | 2.374-46 | 3.750 | 5.219 | EY 6.5-4-4011-1X |
| <i>W/Electronic speedo pickup</i> | | | | | |
| <i>Assy includes electronic speedometer gear #231528</i> | | | | | |
| 1 | 1810 | 2.374-46 | 3.750 | 5.219 | EY 6.5-4-4011X |
| <i>W/Electronic speedo pickup</i> | | | | | |
| <i>Assy includes electronic speedometer gear #231528</i> | | | | | |
| 1 | 1820 | 2.375-46 | 3.750 | 3.938 | EY 8-4-1141 |

| Pos | Series | Spline Data | Hub Dia | * to End of Hub | End Fitting Part Number |
|-----|--------|-------------|---------|-----------------|-------------------------|
|-----|--------|-------------|---------|-----------------|-------------------------|

T-200 (Continued)

| | | | | | |
|--|------|----------|-------|-------|----------------|
| 1 | 1810 | 2.374-46 | 3.750 | 3.109 | CF 6.5-1-2441■ |
| 1 | 1820 | 2.375-46 | 3.750 | 3.938 | EY 8-4-1151X |
| <i>W/mechanical speedo pickup</i> | | | | | |
| <i>Assy includes mechanical speedometer drive gear #231527</i> | | | | | |
| 1 | 1820 | 2.375-46 | 3.750 | 3.938 | EY 8-4-1161X |
| <i>W/Electronic speedo pickup</i> | | | | | |
| <i>Assy includes electronic speedometer gear #231528</i> | | | | | |

T-2050, T-2060

| | | | | | |
|--|--------|----------|-------|-------|------------------|
| 1 | 1810 | 2.374-46 | 3.750 | 3.109 | CF 6.5-1-2441■ |
| 1 | SPL170 | 2.374-46 | 3.750 | 5.190 | EY 170-4-1171-1 |
| 1 | SPL170 | 2.374-46 | 3.750 | 5.190 | EY 170-4-1191-1X |
| <i>Assy includes electronic speedometer gear #231528</i> | | | | | |
| 1 | SPL250 | 2.374-46 | 3.750 | 5.410 | EY 250-4-601-1 |
| 1 | SPL250 | 2.374-46 | 3.750 | 5.410 | EY 250-4-621-1X |
| <i>Assy includes electronic speedometer gear #231528</i> | | | | | |
| 1 | SPL250 | 2.374-46 | 3.750 | 6.650 | EY 250-4-791-1 |
| 1 | SPL250 | 2.374-46 | 3.750 | 6.650 | EY 250-4-801-1X |
| 1 | 1710 | 2.374-46 | 3.752 | 4.938 | EY 6-4-6601 |
| <i>Hub mach. for speedometer gear</i> | | | | | |
| 1 | 1710 | 2.374-46 | 3.752 | 4.938 | EY 6-4-6601-1 |
| <i>Hub mach. for speedometer gear</i> | | | | | |
| 1 | 1710 | 2.374-46 | 3.752 | 4.938 | EY 6-4-7881-1X |
| <i>W/mechanical speedo pickup</i> | | | | | |
| <i>Hub mach. for speedometer gear; Assy inc. mech. speedo gear</i> | | | | | |
| 1 | 1710 | 2.374-46 | 3.752 | 4.938 | EY 6-4-7881X |
| <i>W/mechanical speedo pickup</i> | | | | | |
| <i>Hub mach. for speedometer gear; Assy inc. mech. speedo gear</i> | | | | | |
| 1 | 1710 | 2.374-46 | 3.752 | 4.938 | EY 6-4-7891-1X |
| <i>W/Electronic speedo pickup</i> | | | | | |
| <i>Hub mach. for speedometer gear; Assy inc. elec. speedo gear</i> | | | | | |
| 1 | 1760 | 2.374-46 | 3.750 | 5.406 | EY 6.3-4-1271-1X |
| <i>W/mechanical speedo pickup</i> | | | | | |
| <i>Assy includes mechanical speedometer drive gear #231527</i> | | | | | |
| 1 | 1760 | 2.374-46 | 3.750 | 5.406 | EY 6.3-4-1281-1X |
| <i>W/Electronic speedo pickup</i> | | | | | |
| <i>Assy includes electronic speedometer gear #231528</i> | | | | | |
| 1 | 1760 | 2.374-46 | 3.750 | 5.406 | EY 6.3-4-1281X |
| <i>W/Electronic speedo pickup</i> | | | | | |
| <i>Assy includes electronic speedometer gear #231528</i> | | | | | |
| 1 | 1760 | 2.374-46 | 3.750 | 5.406 | EY 6.3-4-641 |
| <i>W/mechanical speedo pickup</i> | | | | | |
| <i>Assy includes mechanical speedometer drive gear #231527</i> | | | | | |
| 1 | 1760 | 2.374-46 | 3.750 | 5.406 | EY 6.3-4-641-1 |
| <i>W/Electronic speedo pickup</i> | | | | | |
| <i>Assy includes electronic speedometer gear #231528</i> | | | | | |
| 1 | 1760 | 2.374-46 | 3.750 | 5.406 | EY 6.3-4-1281X |
| <i>W/Electronic speedo pickup</i> | | | | | |
| <i>Assy includes electronic speedometer gear #231528</i> | | | | | |
| 1 | 1810 | 2.374-46 | 3.750 | 5.219 | EY 6.5-4-3441 |
| 1 | 1810 | 2.374-46 | 3.750 | 5.219 | EY 6.5-4-3441-1 |
| 1 | 1810 | 2.374-46 | 3.750 | 5.219 | EY 6.5-4-4001-1X |
| <i>W/mechanical speedo pickup</i> | | | | | |
| <i>Assy includes mechanical speedometer drive gear #231527</i> | | | | | |
| 1 | 1810 | 2.374-46 | 3.750 | 5.219 | EY 6.5-4-4011-1X |
| <i>W/Electronic speedo pickup</i> | | | | | |
| <i>Assy includes electronic speedometer gear #231528</i> | | | | | |
| 1 | 1810 | 2.374-46 | 3.750 | 5.219 | EY 6.5-4-4011X |
| <i>W/Electronic speedo pickup</i> | | | | | |
| <i>Assy includes electronic speedometer gear #231528</i> | | | | | |
| 1 | 1810 | 2.374-46 | 3.750 | 5.219 | EY 6.5-4-4001-1X |
| <i>W/mechanical speedo pickup</i> | | | | | |
| <i>Assy includes mechanical speedometer drive gear #231527</i> | | | | | |
| 1 | 1810 | 2.374-46 | 3.750 | 5.219 | EY 6.5-4-4001X |
| <i>W/mechanical speedo pickup</i> | | | | | |
| <i>Assy includes mechanical speedometer drive gear #231527</i> | | | | | |

*C/L to End of Hub for EY (End Yoke); Flange Face to End of Hub for CF (Companion Flange)

■ Hub machined for speedometer gear



| Pos | Series | Spline Data | Hub Dia | * to End of Hub | End Fitting Part Number |
|---|--------|-------------|---------|-----------------|--|
| T-2050, T-2060 (Continued) | | | | | |
| 1 | 1810 | 2.374-46 | 3.750 | 5.219 | EY 6.5-4-4011-1X <i>W/Electronic speedo pickup</i> |
| | | | | | <i>Assy includes electronic speedometer gear #231528</i> |
| 1 | 1810 | 2.374-46 | 3.750 | 5.219 | EY 6.5-4-4011X <i>W/Electronic speedo pickup</i> |
| | | | | | <i>Assy includes electronic speedometer gear #231528</i> |
| 1 | 1820 | 2.375-46 | 3.750 | 3.938 | EY 8-4-1141 <i>W/mechanical speedo pickup</i> |
| | | | | | <i>Assy includes mechanical speedometer drive gear #231527</i> |
| 1 | 1820 | 2.375-46 | 3.750 | 3.938 | EY 8-4-1151X <i>W/mechanical speedo pickup</i> |
| | | | | | <i>Assy includes mechanical speedometer drive gear #231527</i> |
| 1 | 1820 | 2.375-46 | 3.750 | 3.938 | EY 8-4-1161X <i>W/Electronic speedo pickup</i> |
| | | | | | <i>Assy includes electronic speedometer gear #231528</i> |
| T-2090, T-2100 | | | | | |
| 1 | 1760 | 2.374-46 | 3.750 | 5.406 | EY 6.3-4-641 |
| 1 | 1810 | 2.374-46 | 3.750 | 5.219 | EY 6.5-4-4001X <i>W/mechanical speedo pickup</i> |
| | | | | | <i>Assy includes mechanical speedometer drive gear #231527</i> |
| 1 | 1810 | 2.374-46 | 3.750 | 5.219 | EY 6.5-4-4011X <i>W/Electronic speedo pickup</i> |
| | | | | | <i>Assy includes electronic speedometer gear #231528</i> |
| T-300 | | | | | |
| 1 | SPL350 | 2.374-46 | 3.751 | 5.642 | EY 350-4-91-1X <i>Assy includes electronic speedometer gear #231528</i> |
| TR-671, TR-6710 | | | | | |
| 1 | 1610 | 2.260-6 | 3.250 | 4.938 | EY 5-4-1891 |
| 1 | 1610 | 2.260-6 | 3.250 | 4.938 | EY 5-4-1891-1 |
| 1 | 1610 | 2.260-6 | 3.250 | 4.938 | EY 5-4-8211-1X |
| TR-772, TR-7220 | | | | | |
| 1 | 1710 | 2.250-10 | 3.250 | 5.250 | EY 6-4-1971 |
| TRD-67, TRD-670, TRD-675 | | | | | |
| 1 | 1610 | 2.260-6 | 3.250 | 4.938 | EY 5-4-1891 |
| 1 | 1610 | 2.260-6 | 3.250 | 4.938 | EY 5-4-1891-1 |
| 1 | 1610 | 2.260-6 | 3.250 | 4.938 | EY 5-4-8211-1X |
| TRD-722, TRD-7220, TRD-7225, TRD-72250 | | | | | |
| 1 | 1710 | 2.250-10 | 3.250 | 5.250 | EY 6-4-1971 |
| TRDL-1070 | | | | | |
| 1 | SPL170 | 2.374-46 | 3.500 | 5.880 | EY 170-4-1211-1 |
| 1 | SPL170 | 2.374-46 | 3.500 | 5.880 | EY 170-4-1221-1X |
| 1 | SPL250 | 2.374-46 | 3.500 | 6.140 | EY 250-4-641-1 |
| 1 | SPL250 | 2.374-46 | 3.500 | 6.140 | EY 250-4-651-1X |
| 1 | 1710 | 2.374-46 | 3.500 | 5.156 | EY 6-4-5841 |
| 1 | 1710 | 2.374-46 | 3.500 | 5.156 | EY 6-4-8341-1X |
| 1 | 1710 | 2.374-46 | 3.500 | 5.840 | EY 6-4-8951-1 |
| 1 | 1760 | 2.374-46 | 3.500 | 5.375 | EY 6.3-4-1391-1X |
| 1 | 1760 | 2.374-46 | 3.500 | 5.375 | EY 6.3-4-391 |
| 1 | 1760 | 2.374-46 | 3.500 | 5.375 | EY 6.3-4-391-1 |
| 1 | 1810 | 2.374-46 | 3.500 | 5.406 | EY 6.5-4-3251 |
| 1 | 1810 | 2.374-46 | 3.500 | 5.406 | EY 6.5-4-3251-1 |
| 1 | 1810 | 2.374-46 | 3.500 | 5.406 | EY 6.5-4-4271-1X |
| TRDL-722, TRDL-7220, TRDL-7225, TRDL-72250 | | | | | |
| 1 | 1710 | 2.250-10 | 3.250 | 5.250 | EY 6-4-1971 |
| TRDLG-1070 | | | | | |
| 1 | SPL170 | 2.374-46 | 3.500 | 5.880 | EY 170-4-1211-1 |
| 1 | SPL170 | 2.374-46 | 3.500 | 5.880 | EY 170-4-1221-1X |
| 1 | SPL250 | 2.374-46 | 3.500 | 6.140 | EY 250-4-641-1 |

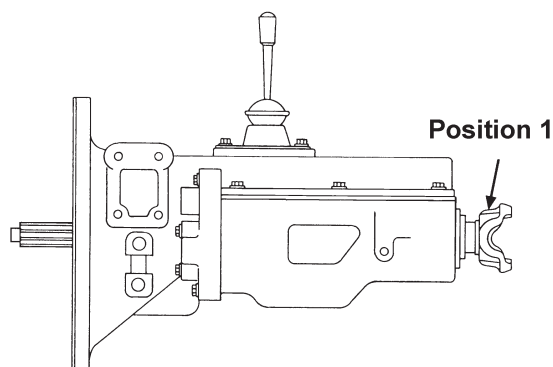
| Pos | Series | Spline Data | Hub Dia | * to End of Hub | End Fitting Part Number |
|---|--------|-------------|---------|-----------------|-------------------------|
| TRDLG-1070 (Continued) | | | | | |
| 1 | SPL250 | 2.374-46 | 3.500 | 6.140 | EY 250-4-651-1X |
| 1 | 1710 | 2.374-46 | 3.500 | 5.156 | EY 6-4-5841 |
| 1 | 1710 | 2.374-46 | 3.500 | 5.156 | EY 6-4-8341-1X |
| 1 | 1760 | 2.374-46 | 3.500 | 5.375 | EY 6.3-4-1391-1X |
| 1 | 1760 | 2.374-46 | 3.500 | 5.375 | EY 6.3-4-391 |
| 1 | 1760 | 2.374-46 | 3.500 | 5.375 | EY 6.3-4-391-1 |
| 1 | 1810 | 2.374-46 | 3.500 | 5.406 | EY 6.5-4-3251 |
| 1 | 1810 | 2.374-46 | 3.500 | 5.406 | EY 6.5-4-3251-1 |
| 1 | 1810 | 2.374-46 | 3.500 | 5.406 | EY 6.5-4-4271-1X |
| TRDXL-1070 | | | | | |
| 1 | SPL170 | 2.374-46 | 3.500 | 5.880 | EY 170-4-1211-1 |
| 1 | SPL170 | 2.374-46 | 3.500 | 5.880 | EY 170-4-1221-1X |
| 1 | SPL250 | 2.374-46 | 3.500 | 6.140 | EY 250-4-641-1 |
| 1 | SPL250 | 2.374-46 | 3.500 | 6.140 | EY 250-4-651-1X |
| 1 | 1710 | 2.500-10 | 3.500 | 5.156 | EY 6-4-4421 |
| 1 | 1710 | 2.500-10 | 3.500 | 5.156 | EY 6-4-4421-1 |
| 1 | 1710 | 2.374-46 | 3.500 | 5.156 | EY 6-4-5841 |
| 1 | 1710 | 2.374-46 | 3.500 | 5.156 | EY 6-4-5841-1 |
| 1 | 1710 | 2.374-46 | 3.500 | 5.156 | EY 6-4-8341-1X |
| 1 | 1710 | 2.500-10 | 3.500 | 5.156 | EY 6-4-8351-1X |
| 1 | 1710 | 2.374-46 | 3.500 | 5.840 | EY 6-4-8951-1 |
| 1 | 1710 | 2.374-46 | 3.500 | 5.840 | EY 6-4-8961-1X |
| 1 | 1760 | 2.374-46 | 3.500 | 5.375 | EY 6.3-4-1391-1X |
| 1 | 1760 | 2.374-46 | 3.500 | 5.375 | EY 6.3-4-391 |
| 1 | 1760 | 2.374-46 | 3.500 | 5.375 | EY 6.3-4-391-1 |
| 1 | 1810 | 2.374-46 | 3.500 | 5.406 | EY 6.5-4-3251 |
| 1 | 1810 | 2.374-46 | 3.500 | 5.406 | EY 6.5-4-3251-1 |
| 1 | 1810 | 2.374-46 | 3.500 | 5.406 | EY 6.5-4-4271-1X |
| TRL-*** | | | | | |
| 1 | SPL170 | 2.374-46 | 3.500 | 5.880 | EY 170-4-1211-1 |
| 1 | SPL170 | 2.374-46 | 3.500 | 5.880 | EY 170-4-1221-1X |
| 1 | SPL250 | 2.374-46 | 3.500 | 6.140 | EY 250-4-641-1 |
| 1 | SPL250 | 2.374-46 | 3.500 | 6.140 | EY 250-4-651-1X |
| 1 | 1710 | 2.500-10 | 3.500 | 5.156 | EY 6-4-4421 |
| 1 | 1710 | 2.500-10 | 3.500 | 5.156 | EY 6-4-4421-1 |
| 1 | 1710 | 2.374-46 | 3.500 | 5.156 | EY 6-4-5841 |
| 1 | 1710 | 2.374-46 | 3.500 | 5.156 | EY 6-4-5841-1 |
| 1 | 1710 | 2.374-46 | 3.500 | 5.840 | EY 6-4-8951-1 |
| 1 | 1710 | 2.374-46 | 3.500 | 5.840 | EY 6-4-8961-1X |
| 1 | 1760 | 2.374-46 | 3.500 | 5.375 | EY 6.3-4-1391-1X |
| 1 | 1760 | 2.374-46 | 3.500 | 5.375 | EY 6.3-4-1391X |
| 1 | 1760 | 2.500-10 | 3.500 | 5.406 | EY 6.3-4-151 |
| 1 | 1760 | 2.374-46 | 3.500 | 5.375 | EY 6.3-4-391 |
| 1 | 1760 | 2.374-46 | 3.500 | 5.375 | EY 6.3-4-391-1 |
| 1 | 1810 | 2.374-46 | 3.500 | 5.406 | EY 6.5-4-3251 |
| 1 | 1810 | 2.374-46 | 3.500 | 5.406 | EY 6.5-4-3251-1 |
| TRQL-7220, TRT-722, TRT-7220, TRTL-722, TRTL-7220, | | | | | |
| 1 | 1710 | 2.250-10 | 3.250 | 5.250 | EY 6-4-1971 |
| TRTX-670 | | | | | |
| 1 | 1610 | 2.260-6 | 3.250 | 4.938 | EY 5-4-1891 |
| 1 | 1610 | 2.260-6 | 3.250 | 4.938 | EY 5-4-1891-1 |
| 1 | 1610 | 2.260-6 | 3.250 | 4.938 | EY 5-4-8211-1X |

*C/L to End of Hub for EY (End Yoke); Flange Face to End of Hub for CF (Companion Flange)

■ Hub machined for speedometer gear



Important: See Safety Information in General Information Section (J300P-GI)



| Pos | Series | Spline Data | Hub Dia | * to End of Hub | End Fitting Part Number |
|-----|--------|-------------|---------|-----------------|-------------------------|
|-----|--------|-------------|---------|-----------------|-------------------------|

| Pos | Series | Spline Data | Hub Dia | * to End of Hub | End Fitting Part Number |
|-----|--------|-------------|---------|-----------------|-------------------------|
|-----|--------|-------------|---------|-----------------|-------------------------|

MACK

TRTXL-***

| | | | | | |
|---|--------|----------|-------|-------|-----------------|
| 1 | SPL170 | 2.374-46 | 3.500 | 5.880 | EY 170-4-1211-1 |
| 1 | SPL250 | 2.374-46 | 3.500 | 6.140 | EY 250-4-641-1 |
| 1 | 1710 | 2.374-46 | 3.500 | 5.156 | EY 6-4-5841 |
| 1 | 1710 | 2.374-46 | 3.500 | 5.156 | EY 6-4-5841-1 |
| 1 | 1710 | 2.374-46 | 3.500 | 5.840 | EY 6-4-8951-1 |
| 1 | 1710 | 2.374-46 | 3.500 | 5.840 | EY 6-4-8961-1X |
| 1 | 1760 | 2.374-46 | 3.500 | 5.375 | EY 6.3-4-391 |
| 1 | 1760 | 2.374-46 | 3.500 | 5.375 | EY 6.3-4-391-1 |
| 1 | 1810 | 2.374-46 | 3.500 | 5.406 | EY 6.5-4-3251 |
| 1 | 1810 | 2.374-46 | 3.500 | 5.406 | EY 6.5-4-3251-1 |

TRXL-***

| | | | | | |
|---|--------|----------|-------|-------|------------------|
| 1 | SPL170 | 2.374-46 | 3.500 | 5.880 | EY 170-4-1211-1 |
| 1 | SPL250 | 2.374-46 | 3.500 | 6.140 | EY 250-4-641-1 |
| 1 | 1710 | 2.374-46 | 3.500 | 5.156 | EY 6-4-5841 |
| 1 | 1710 | 2.374-46 | 3.500 | 5.156 | EY 6-4-5841-1 |
| 1 | 1710 | 2.374-46 | 3.500 | 5.840 | EY 6-4-8951-1 |
| 1 | 1710 | 2.374-46 | 3.500 | 5.840 | EY 6-4-8961-1X |
| 1 | 1760 | 2.374-46 | 3.500 | 5.375 | EY 6.3-4-1391-1X |
| 1 | 1760 | 2.374-46 | 3.500 | 5.375 | EY 6.3-4-1391X |
| 1 | 1760 | 2.374-46 | 3.500 | 5.375 | EY 6.3-4-391 |
| 1 | 1760 | 2.374-46 | 3.500 | 5.375 | EY 6.3-4-391-1 |
| 1 | 1810 | 2.374-46 | 3.500 | 5.406 | EY 6.5-4-3251 |
| 1 | 1810 | 2.374-46 | 3.500 | 5.406 | EY 6.5-4-3251-1 |

NEW PROCESS

420

| | | | | | |
|---|-----------|----------|-------|-------|-------------|
| 1 | 1350/1410 | 1.500-10 | 2.125 | 2.562 | CF 3-1-1151 |
|---|-----------|----------|-------|-------|-------------|

420-435

| | | | | | |
|---|------|----------|-------|-------|---|
| 1 | 1310 | 1.375-10 | 2.125 | 3.438 | EY 2-4-1731 <i>Hub diameter not ground</i> |
| 1 | 1350 | 1.375-10 | 2.125 | 3.688 | EY 3-4-3291-1 |
| 1 | 1350 | 1.401-32 | 2.125 | 4.750 | EY 3-4-7241 |
| 1 | 1350 | 1.401-32 | 2.125 | 4.750 | EY 3-4-7241-1 |
| 1 | 1410 | 1.375-10 | 2.125 | 3.685 | EY 3-4-2271-1 |
| 1 | 1410 | 1.500-10 | 2.125 | 3.688 | EY 3-4-3961-1 |
| 1 | 1410 | 1.525-35 | 2.125 | 3.688 | EY 3-4-5191-1 |
| 1 | 1410 | 1.525-35 | 2.500 | 5.750 | EY 3-4-7151 |

*Can be used w/brake
 Flanged end yoke, strap kit not furnished by Dana*

540-542

| | | | | | |
|---|------|----------|-------|-------|---|
| 1 | 1310 | 1.375-10 | 2.125 | 3.438 | EY 2-4-1731 <i>Hub diameter not ground</i> |
| 1 | 1350 | 1.375-10 | 2.125 | 3.688 | EY 3-4-3291-1 |
| 1 | 1350 | 1.401-32 | 2.125 | 4.750 | EY 3-4-7241 |
| 1 | 1350 | 1.401-32 | 2.125 | 4.750 | EY 3-4-7241-1 |
| 1 | 1410 | 1.375-10 | 2.125 | 3.685 | EY 3-4-2271-1 |
| 1 | 1410 | 1.500-10 | 2.125 | 3.688 | EY 3-4-3961-1 |
| 1 | 1410 | 1.525-35 | 2.125 | 3.688 | EY 3-4-5191-1 |
| 1 | 1410 | 1.525-35 | 2.500 | 5.750 | EY 3-4-7151 |

*Can be used w/brake
 Flanged end yoke, strap kit not furnished by Dana*

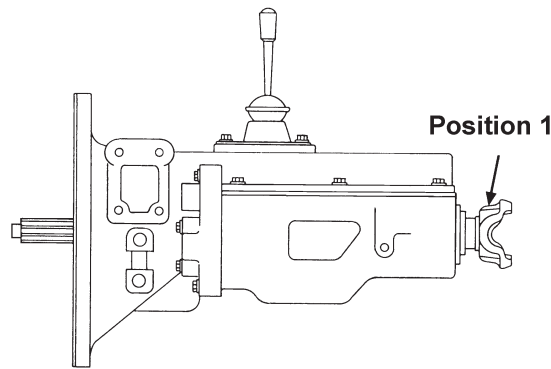
| | | | | | |
|---|------|----------|-------|-------|---------------|
| 1 | 1480 | 1.525-35 | 2.125 | 4.031 | EY 3-4-6691-1 |
| 1 | 1480 | 1.375-10 | 2.125 | 4.031 | EY 3-4-6701 |
| 1 | 1480 | 1.750-10 | 2.500 | 5.750 | EY 3-4-7131 |
| 1 | 1480 | 1.525-35 | 2.500 | 5.750 | EY 3-4-7161 |

*Can be used w/brake
 Flanged end yoke.*

*C/L to End of Hub for EY (End Yoke); Flange Face to End of Hub for CF (Companion Flange)

■ Hub machined for speedometer gear





| Pos | Series | Spline Data | Hub Dia | * to End of Hub | End Fitting Part Number |
|-----|--------|-------------|---------|-----------------|-------------------------|
|-----|--------|-------------|---------|-----------------|-------------------------|

M-11G9A-M11, M-11G10A-M11, M-12G9A-M12, M-12G10A-M12,

| | | | | | |
|---|--------|----------|-------|-------|-------------------|
| 1 | SPL140 | 2.500-10 | 3.750 | 5.960 | EY 140-4-41-1 |
| 1 | SPL140 | 2.500-10 | 3.750 | 5.960 | EY 140-4-51-1X |
| 1 | SPL170 | 2.500-10 | 3.750 | 5.750 | EY 170-4-471-1■ |
| 1 | SPL170 | 2.500-10 | 3.750 | 5.750 | EY 170-4-481-1X■ |
| 1 | SPL250 | 2.500-10 | 3.750 | 6.062 | EY 250-4-191-1■ |
| 1 | SPL250 | 2.500-10 | 3.750 | 6.062 | EY 250-4-201-1X■ |
| 1 | 1710 | 2.500-10 | 3.750 | 5.625 | EY 6-4-6611■ |
| 1 | 1710 | 2.500-10 | 3.750 | 5.625 | EY 6-4-6611-1■ |
| 1 | 1710 | 2.500-10 | 3.750 | 5.625 | EY 6-4-6921-1X■ |
| 1 | 1710 | 2.500-10 | 3.750 | 5.625 | EY 6-4-6921X■ |
| 1 | 1760 | 2.500-10 | 3.750 | 6.000 | EY 6.3-4-651■ |
| 1 | 1760 | 2.500-10 | 3.750 | 6.031 | EY 6.3-4-651-1■ |
| 1 | 1760 | 2.500-10 | 3.750 | 6.031 | EY 6.3-4-781-1X■ |
| 1 | 1760 | 2.500-10 | 3.750 | 6.000 | EY 6.3-4-781X■ |
| 1 | 1810 | 2.500-10 | 3.750 | 5.875 | EY 6.5-4-3451■ |
| 1 | 1810 | 2.500-10 | 3.750 | 5.875 | EY 6.5-4-3451-1■ |
| 1 | 1810 | 2.500-10 | 3.750 | 5.875 | EY 6.5-4-3551-1X■ |
| 1 | 1810 | 2.500-10 | 3.750 | 5.875 | EY 6.5-4-3551X■ |

M-13G9A-M13, M-13G10A-M13

| | | | | | |
|---|--------|----------|-------|-------|------------------|
| 1 | SPL140 | 2.750-10 | 3.750 | 6.570 | EY 140-4-81-1 |
| 1 | SPL140 | 2.750-10 | 3.750 | 6.570 | EY 140-4-91-1X |
| 1 | SPL170 | 2.750-10 | 3.750 | 5.850 | EY 170-4-511-1 |
| 1 | SPL170 | 2.750-10 | 3.750 | 5.850 | EY 170-4-521-1X |
| 1 | SPL250 | 2.750-10 | 3.750 | 6.297 | EY 250-4-231-1 |
| 1 | SPL250 | 2.750-10 | 3.750 | 6.297 | EY 250-4-241-1X |
| 1 | 1710 | 2.750-10 | 3.750 | 5.750 | EY 6-4-6821 |
| 1 | 1710 | 2.750-10 | 3.750 | 5.750 | EY 6-4-6821-1 |
| 1 | 1710 | 2.750-10 | 3.750 | 5.750 | EY 6-4-6931-1X |
| 1 | 1710 | 2.750-10 | 3.750 | 5.750 | EY 6-4-6931X |
| 1 | 1760 | 2.750-10 | 3.750 | 5.969 | EY 6.3-4-711 |
| 1 | 1760 | 2.750-10 | 3.750 | 5.969 | EY 6.3-4-711-1 |
| 1 | 1760 | 2.750-10 | 3.750 | 5.969 | EY 6.3-4-791-1X |
| 1 | 1760 | 2.750-10 | 3.750 | 5.969 | EY 6.3-4-791X |
| 1 | 1810 | 2.750-10 | 3.750 | 6.062 | EY 6.5-4-3491 |
| 1 | 1810 | 2.750-10 | 3.750 | 6.062 | EY 6.5-4-3491-1 |
| 1 | 1810 | 2.750-10 | 3.750 | 6.062 | EY 6.5-4-3561-1X |
| 1 | 1810 | 2.750-10 | 3.750 | 6.062 | EY 6.5-4-3561X |

M-13Z12A-A13, M-13Z16A-A13

| | | | | | |
|---|--------|----------|-------|-------|-----------------------------------|
| 1 | SPL250 | 3.543-44 | 4.125 | 6.140 | EY 250-4-921-1 <i>OEM only</i> |
|---|--------|----------|-------|-------|-----------------------------------|

| Pos | Series | Spline Data | Hub Dia | * to End of Hub | End Fitting Part Number |
|-----|--------|-------------|---------|-----------------|-------------------------|
|-----|--------|-------------|---------|-----------------|-------------------------|

M-14G9A-M14, M-14G10A-M14

| | | | | | |
|---|--------|----------|-------|-------|------------------|
| 1 | SPL140 | 2.750-10 | 3.750 | 6.570 | EY 140-4-81-1 |
| 1 | SPL140 | 2.750-10 | 3.750 | 6.570 | EY 140-4-91-1X |
| 1 | SPL170 | 2.750-10 | 3.750 | 5.850 | EY 170-4-511-1 |
| 1 | SPL170 | 2.750-10 | 3.750 | 5.850 | EY 170-4-521-1X |
| 1 | SPL250 | 2.750-10 | 3.750 | 6.297 | EY 250-4-231-1 |
| 1 | SPL250 | 2.750-10 | 3.750 | 6.297 | EY 250-4-241-1X |
| 1 | 1710 | 2.750-10 | 3.750 | 5.750 | EY 6-4-6821 |
| 1 | 1710 | 2.750-10 | 3.750 | 5.750 | EY 6-4-6821-1 |
| 1 | 1710 | 2.750-10 | 3.750 | 5.750 | EY 6-4-6931-1X |
| 1 | 1710 | 2.750-10 | 3.750 | 5.750 | EY 6-4-6931X |
| 1 | 1760 | 2.750-10 | 3.750 | 5.969 | EY 6.3-4-711 |
| 1 | 1760 | 2.750-10 | 3.750 | 5.969 | EY 6.3-4-711-1 |
| 1 | 1760 | 2.750-10 | 3.750 | 5.969 | EY 6.3-4-791-1X |
| 1 | 1760 | 2.750-10 | 3.750 | 5.969 | EY 6.3-4-791X |
| 1 | 1810 | 2.750-10 | 3.750 | 6.062 | EY 6.5-4-3491 |
| 1 | 1810 | 2.750-10 | 3.750 | 6.062 | EY 6.5-4-3491-1 |
| 1 | 1810 | 2.750-10 | 3.750 | 6.062 | EY 6.5-4-3561-1X |
| 1 | 1810 | 2.750-10 | 3.750 | 6.062 | EY 6.5-4-3561X |

M-14Z12A-A14, M-14Z16A-A14

| | | | | | |
|---|--------|----------|-------|-------|-----------------------------------|
| 1 | SPL250 | 3.543-44 | 4.125 | 6.140 | EY 250-4-921-1 <i>OEM only</i> |
|---|--------|----------|-------|-------|-----------------------------------|

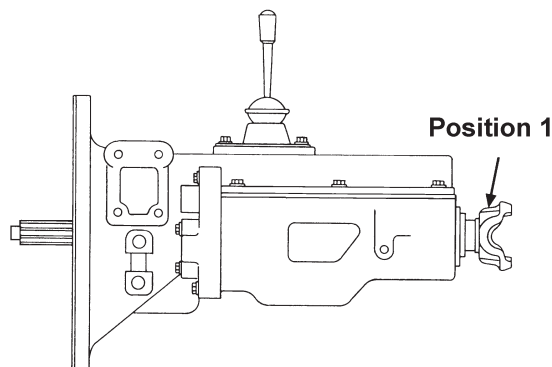
MO-11G10A-M11, MO-12G9A-M12, MO-12G10A-M12

| | | | | | |
|---|--------|----------|-------|-------|-------------------|
| 1 | SPL140 | 2.500-10 | 3.750 | 5.960 | EY 140-4-41-1 |
| 1 | SPL140 | 2.500-10 | 3.750 | 5.960 | EY 140-4-51-1X |
| 1 | SPL170 | 2.500-10 | 3.750 | 5.750 | EY 170-4-471-1■ |
| 1 | SPL170 | 2.500-10 | 3.750 | 5.750 | EY 170-4-481-1X■ |
| 1 | SPL250 | 2.500-10 | 3.750 | 6.062 | EY 250-4-191-1■ |
| 1 | SPL250 | 2.500-10 | 3.750 | 6.062 | EY 250-4-201-1X■ |
| 1 | 1710 | 2.500-10 | 3.750 | 5.625 | EY 6-4-6611■ |
| 1 | 1710 | 2.500-10 | 3.750 | 5.625 | EY 6-4-6611-1■ |
| 1 | 1710 | 2.500-10 | 3.750 | 5.625 | EY 6-4-6921-1X■ |
| 1 | 1710 | 2.500-10 | 3.750 | 5.625 | EY 6-4-6921X■ |
| 1 | 1760 | 2.500-10 | 3.750 | 6.000 | EY 6.3-4-651 |
| 1 | 1760 | 2.500-10 | 3.750 | 6.031 | EY 6.3-4-651-1■ |
| 1 | 1760 | 2.500-10 | 3.750 | 6.031 | EY 6.3-4-781-1X■ |
| 1 | 1760 | 2.500-10 | 3.750 | 6.000 | EY 6.3-4-781X■ |
| 1 | 1810 | 2.500-10 | 3.750 | 5.875 | EY 6.5-4-3451■ |
| 1 | 1810 | 2.500-10 | 3.750 | 5.875 | EY 6.5-4-3451-1■ |
| 1 | 1810 | 2.500-10 | 3.750 | 5.875 | EY 6.5-4-3551-1X■ |
| 1 | 1810 | 2.500-10 | 3.750 | 5.875 | EY 6.5-4-3551X■ |

*C/L to End of Hub for EY (End Yoke); Flange Face to End of Hub for CF (Companion Flange)

■ Hub machined for speedometer gear





| Pos | Series | Spline Data | Hub Dia | * to End of Hub | End Fitting Part Number |
|-----|--------|-------------|---------|-----------------|-------------------------|
|-----|--------|-------------|---------|-----------------|-------------------------|

MO-13G9A-M13, MO-13G10A-M13

| | | | | | |
|---|--------|----------|-------|-------|------------------|
| 1 | SPL140 | 2.750-10 | 3.750 | 6.570 | EY 140-4-81-1 |
| 1 | SPL140 | 2.750-10 | 3.750 | 6.570 | EY 140-4-91-1X |
| 1 | SPL170 | 2.750-10 | 3.750 | 5.850 | EY 170-4-511-1 |
| 1 | SPL170 | 2.750-10 | 3.750 | 5.850 | EY 170-4-521-1X |
| 1 | SPL250 | 2.750-10 | 3.750 | 6.297 | EY 250-4-231-1 |
| 1 | SPL250 | 2.750-10 | 3.750 | 6.297 | EY 250-4-241-1X |
| 1 | 1710 | 2.750-10 | 3.750 | 5.750 | EY 6-4-6821 |
| 1 | 1710 | 2.750-10 | 3.750 | 5.750 | EY 6-4-6821-1 |
| 1 | 1710 | 2.750-10 | 3.750 | 5.750 | EY 6-4-6931-1X |
| 1 | 1710 | 2.750-10 | 3.750 | 5.750 | EY 6-4-6931X |
| 1 | 1760 | 2.750-10 | 3.750 | 5.969 | EY 6.3-4-711 |
| 1 | 1760 | 2.750-10 | 3.750 | 5.969 | EY 6.3-4-711-1 |
| 1 | 1760 | 2.750-10 | 3.750 | 5.969 | EY 6.3-4-791-1X |
| 1 | 1760 | 2.750-10 | 3.750 | 5.969 | EY 6.3-4-791X |
| 1 | 1810 | 2.750-10 | 3.750 | 6.062 | EY 6.5-4-3491 |
| 1 | 1810 | 2.750-10 | 3.750 | 6.062 | EY 6.5-4-3491-1 |
| 1 | 1810 | 2.750-10 | 3.750 | 6.062 | EY 6.5-4-3561-1X |
| 1 | 1810 | 2.750-10 | 3.750 | 6.062 | EY 6.5-4-3561X |

MO-13Z12A-A13, MO-13Z16A-A13

| | | | | | |
|---|--------|----------|-------|-------|-----------------------------------|
| 1 | SPL250 | 3.543-44 | 4.125 | 6.140 | EY 250-4-921-1 <i>OEM only</i> |
|---|--------|----------|-------|-------|-----------------------------------|

MO-14G9A-M14, MO-14G10A-M14

| | | | | | |
|---|--------|----------|-------|-------|------------------|
| 1 | SPL140 | 2.750-10 | 3.750 | 6.570 | EY 140-4-81-1 |
| 1 | SPL140 | 2.750-10 | 3.750 | 6.570 | EY 140-4-91-1X |
| 1 | SPL170 | 2.750-10 | 3.750 | 5.850 | EY 170-4-511-1 |
| 1 | SPL170 | 2.750-10 | 3.750 | 5.850 | EY 170-4-521-1X |
| 1 | SPL250 | 2.750-10 | 3.750 | 6.297 | EY 250-4-231-1 |
| 1 | SPL250 | 2.750-10 | 3.750 | 6.297 | EY 250-4-241-1X |
| 1 | 1710 | 2.750-10 | 3.750 | 5.750 | EY 6-4-6821 |
| 1 | 1710 | 2.750-10 | 3.750 | 5.750 | EY 6-4-6821-1 |
| 1 | 1710 | 2.750-10 | 3.750 | 5.750 | EY 6-4-6931-1X |
| 1 | 1710 | 2.750-10 | 3.750 | 5.750 | EY 6-4-6931X |
| 1 | 1760 | 2.750-10 | 3.750 | 5.969 | EY 6.3-4-711 |
| 1 | 1760 | 2.750-10 | 3.750 | 5.969 | EY 6.3-4-711-1 |
| 1 | 1760 | 2.750-10 | 3.750 | 5.969 | EY 6.3-4-791-1X |
| 1 | 1760 | 2.750-10 | 3.750 | 5.969 | EY 6.3-4-791X |
| 1 | 1810 | 2.750-10 | 3.750 | 6.062 | EY 6.5-4-3491 |
| 1 | 1810 | 2.750-10 | 3.750 | 6.062 | EY 6.5-4-3491-1 |
| 1 | 1810 | 2.750-10 | 3.750 | 6.062 | EY 6.5-4-3561-1X |
| 1 | 1810 | 2.750-10 | 3.750 | 6.062 | EY 6.5-4-3561X |

MO-14Z12A-A14, MO-14Z16A-A14

| | | | | | |
|---|--------|----------|-------|-------|-----------------------------------|
| 1 | SPL250 | 3.543-44 | 4.125 | 6.140 | EY 250-4-921-1 <i>OEM only</i> |
|---|--------|----------|-------|-------|-----------------------------------|

| Pos | Series | Spline Data | Hub Dia | * to End of Hub | End Fitting Part Number |
|-----|--------|-------------|---------|-----------------|-------------------------|
|-----|--------|-------------|---------|-----------------|-------------------------|

RM-9-115A, RM-9-125A

| | | | | | |
|---|--------|----------|-------|-------|-------------------|
| 1 | SPL140 | 2.500-10 | 3.750 | 5.960 | EY 140-4-41-1 |
| 1 | SPL140 | 2.500-10 | 3.750 | 5.960 | EY 140-4-51-1X |
| 1 | SPL170 | 2.500-10 | 3.750 | 5.750 | EY 170-4-471-1■ |
| 1 | SPL170 | 2.500-10 | 3.750 | 5.750 | EY 170-4-481-1X■ |
| 1 | SPL250 | 2.500-10 | 3.750 | 6.062 | EY 250-4-191-1■ |
| 1 | SPL250 | 2.500-10 | 3.750 | 6.062 | EY 250-4-201-1X■ |
| 1 | 1710 | 2.500-10 | 3.750 | 5.625 | EY 6-4-6611■ |
| 1 | 1710 | 2.500-10 | 3.750 | 5.625 | EY 6-4-6611-1■ |
| 1 | 1710 | 2.500-10 | 3.750 | 5.625 | EY 6-4-6921-1X■ |
| 1 | 1710 | 2.500-10 | 3.750 | 5.625 | EY 6-4-6921X■ |
| 1 | 1760 | 2.500-10 | 3.750 | 6.000 | EY 6.3-4-651■ |
| 1 | 1760 | 2.500-10 | 3.750 | 6.031 | EY 6.3-4-651-1■ |
| 1 | 1760 | 2.500-10 | 3.750 | 6.031 | EY 6.3-4-781-1X■ |
| 1 | 1760 | 2.500-10 | 3.750 | 6.000 | EY 6.3-4-781X■ |
| 1 | 1810 | 2.500-10 | 3.750 | 5.875 | EY 6.5-4-3451■ |
| 1 | 1810 | 2.500-10 | 3.750 | 5.875 | EY 6.5-4-3451-1■ |
| 1 | 1810 | 2.500-10 | 3.750 | 5.875 | EY 6.5-4-3551-1X■ |
| 1 | 1810 | 2.500-10 | 3.750 | 5.875 | EY 6.5-4-3551X■ |

RM-9-135A, RM-9-145A, RM-9-155A

| | | | | | |
|---|--------|----------|-------|-------|------------------|
| 1 | SPL140 | 2.750-10 | 3.750 | 6.570 | EY 140-4-81-1 |
| 1 | SPL140 | 2.750-10 | 3.750 | 6.570 | EY 140-4-91-1X |
| 1 | SPL170 | 2.750-10 | 3.750 | 5.850 | EY 170-4-511-1 |
| 1 | SPL170 | 2.750-10 | 3.750 | 5.850 | EY 170-4-521-1X |
| 1 | SPL250 | 2.750-10 | 3.750 | 6.297 | EY 250-4-231-1 |
| 1 | SPL250 | 2.750-10 | 3.750 | 6.297 | EY 250-4-241-1X |
| 1 | 1710 | 2.750-10 | 3.750 | 5.750 | EY 6-4-6821 |
| 1 | 1710 | 2.750-10 | 3.750 | 5.750 | EY 6-4-6821-1 |
| 1 | 1710 | 2.750-10 | 3.750 | 5.750 | EY 6-4-6931-1X |
| 1 | 1710 | 2.750-10 | 3.750 | 5.750 | EY 6-4-6931X |
| 1 | 1760 | 2.750-10 | 3.750 | 5.969 | EY 6.3-4-711 |
| 1 | 1760 | 2.750-10 | 3.750 | 5.969 | EY 6.3-4-711-1 |
| 1 | 1760 | 2.750-10 | 3.750 | 5.969 | EY 6.3-4-791-1X |
| 1 | 1760 | 2.750-10 | 3.750 | 5.969 | EY 6.3-4-791X |
| 1 | 1810 | 2.750-10 | 3.750 | 6.062 | EY 6.5-4-3491 |
| 1 | 1810 | 2.750-10 | 3.750 | 6.062 | EY 6.5-4-3491-1 |
| 1 | 1810 | 2.750-10 | 3.750 | 6.062 | EY 6.5-4-3561-1X |
| 1 | 1810 | 2.750-10 | 3.750 | 6.062 | EY 6.5-4-3561X |

RM-9-1250

| | | | | | |
|---|--------|----------|-------|-------|------------------|
| 1 | SPL170 | 2.500-10 | 3.750 | 5.750 | EY 170-4-471-1■ |
| 1 | SPL170 | 2.500-10 | 3.750 | 5.750 | EY 170-4-481-1X■ |
| 1 | SPL250 | 2.500-10 | 3.750 | 6.062 | EY 250-4-191-1■ |
| 1 | SPL250 | 2.500-10 | 3.750 | 6.062 | EY 250-4-201-1X■ |
| 1 | 1710 | 2.500-10 | 3.750 | 5.625 | EY 6-4-6611■ |

*C/L to End of Hub for EY (End Yoke); Flange Face to End of Hub for CF (Companion Flange)

■ Hub machined for speedometer gear



| Pos | Series | Spline Data | Hub Dia | * to End of Hub | End Fitting Part Number |
|------------------------------|--------|-------------|---------|-----------------|-------------------------|
| RM-9-1250 (Continued) | | | | | |
| 1 | 1710 | 2.500-10 | 3.750 | 5.625 | EY 6-4-6611-1■ |
| 1 | 1710 | 2.500-10 | 3.750 | 5.625 | EY 6-4-6921-1X■ |
| 1 | 1710 | 2.500-10 | 3.750 | 5.625 | EY 6-4-6921X■ |
| 1 | 1760 | 2.500-10 | 3.750 | 6.000 | EY 6.3-4-651■ |
| 1 | 1760 | 2.500-10 | 3.750 | 6.031 | EY 6.3-4-651-1■ |
| 1 | 1760 | 2.500-10 | 3.750 | 6.031 | EY 6.3-4-781-1X■ |
| 1 | 1760 | 2.500-10 | 3.750 | 6.000 | EY 6.3-4-781X■ |
| 1 | 1810 | 2.500-10 | 3.750 | 5.875 | EY 6.5-4-3451■ |
| 1 | 1810 | 2.500-10 | 3.750 | 5.875 | EY 6.5-4-3451-1■ |
| 1 | 1810 | 2.500-10 | 3.750 | 5.875 | EY 6.5-4-3551-1X■ |
| 1 | 1810 | 2.500-10 | 3.750 | 5.875 | EY 6.5-4-3551X■ |

| | | | | | |
|------------------|--------|----------|-------|-------|------------------|
| RM-9-1450 | | | | | |
| 1 | SPL140 | 2.750-10 | 3.750 | 6.570 | EY 140-4-81-1 |
| 1 | SPL140 | 2.750-10 | 3.750 | 6.570 | EY 140-4-91-1X |
| 1 | SPL170 | 2.750-10 | 3.750 | 5.850 | EY 170-4-511-1 |
| 1 | SPL170 | 2.750-10 | 3.750 | 5.850 | EY 170-4-521-1X |
| 1 | SPL250 | 2.750-10 | 3.750 | 6.297 | EY 250-4-231-1 |
| 1 | SPL250 | 2.750-10 | 3.750 | 6.297 | EY 250-4-241-1X |
| 1 | 1710 | 2.750-10 | 3.750 | 5.750 | EY 6-4-6821 |
| 1 | 1710 | 2.750-10 | 3.750 | 5.750 | EY 6-4-6821-1 |
| 1 | 1710 | 2.750-10 | 3.750 | 5.750 | EY 6-4-6931-1X |
| 1 | 1710 | 2.750-10 | 3.750 | 5.750 | EY 6-4-6931X |
| 1 | 1760 | 2.750-10 | 3.750 | 5.969 | EY 6.3-4-711 |
| 1 | 1760 | 2.750-10 | 3.750 | 5.969 | EY 6.3-4-711-1 |
| 1 | 1760 | 2.750-10 | 3.750 | 5.969 | EY 6.3-4-791-1X |
| 1 | 1760 | 2.750-10 | 3.750 | 5.969 | EY 6.3-4-791X |
| 1 | 1810 | 2.750-10 | 3.750 | 6.062 | EY 6.5-4-3491 |
| 1 | 1810 | 2.750-10 | 3.750 | 6.062 | EY 6.5-4-3491-1 |
| 1 | 1810 | 2.750-10 | 3.750 | 6.062 | EY 6.5-4-3561-1X |
| 1 | 1810 | 2.750-10 | 3.750 | 6.062 | EY 6.5-4-3561X |

| | | | | | |
|-------------------------------|--------|----------|-------|-------|-------------------|
| RM-10-115A, RM-10-125A | | | | | |
| 1 | SPL140 | 2.500-10 | 3.750 | 5.960 | EY 140-4-41-1 |
| 1 | SPL140 | 2.500-10 | 3.750 | 5.960 | EY 140-4-51-1X |
| 1 | SPL170 | 2.500-10 | 3.750 | 5.750 | EY 170-4-471-1■ |
| 1 | SPL170 | 2.500-10 | 3.750 | 5.750 | EY 170-4-481-1X■ |
| 1 | SPL250 | 2.500-10 | 3.750 | 6.062 | EY 250-4-191-1■ |
| 1 | SPL250 | 2.500-10 | 3.750 | 6.062 | EY 250-4-201-1X■ |
| 1 | 1710 | 2.500-10 | 3.750 | 5.625 | EY 6-4-6611■ |
| 1 | 1710 | 2.500-10 | 3.750 | 5.625 | EY 6-4-6611-1■ |
| 1 | 1710 | 2.500-10 | 3.750 | 5.625 | EY 6-4-6921-1X■ |
| 1 | 1710 | 2.500-10 | 3.750 | 5.625 | EY 6-4-6921X■ |
| 1 | 1760 | 2.500-10 | 3.750 | 6.000 | EY 6.3-4-651■ |
| 1 | 1760 | 2.500-10 | 3.750 | 6.031 | EY 6.3-4-651-1■ |
| 1 | 1760 | 2.500-10 | 3.750 | 6.031 | EY 6.3-4-781-1X■ |
| 1 | 1760 | 2.500-10 | 3.750 | 6.000 | EY 6.3-4-781X■ |
| 1 | 1810 | 2.500-10 | 3.750 | 5.875 | EY 6.5-4-3451■ |
| 1 | 1810 | 2.500-10 | 3.750 | 5.875 | EY 6.5-4-3451-1■ |
| 1 | 1810 | 2.500-10 | 3.750 | 5.875 | EY 6.5-4-3551-1X■ |
| 1 | 1810 | 2.500-10 | 3.750 | 5.875 | EY 6.5-4-3551X■ |

| | | | | | |
|--|--------|----------|-------|-------|-----------------|
| RM-10-135A, RM-10-145A, RM-10-155A, RM-10-165 | | | | | |
| 1 | SPL140 | 2.750-10 | 3.750 | 6.570 | EY 140-4-81-1 |
| 1 | SPL140 | 2.750-10 | 3.750 | 6.570 | EY 140-4-91-1X |
| 1 | SPL170 | 2.750-10 | 3.750 | 5.850 | EY 170-4-511-1 |
| 1 | SPL170 | 2.750-10 | 3.750 | 5.850 | EY 170-4-521-1X |
| 1 | SPL250 | 2.750-10 | 3.750 | 6.297 | EY 250-4-231-1 |
| 1 | SPL250 | 2.750-10 | 3.750 | 6.297 | EY 250-4-241-1X |
| 1 | 1710 | 2.750-10 | 3.750 | 5.750 | EY 6-4-6821 |

| Pos | Series | Spline Data | Hub Dia | * to End of Hub | End Fitting Part Number |
|--|--------|-------------|---------|-----------------|-------------------------|
| RM-10-135A, RM-10-145A, RM-10-155A, RM-10-165 (Continued) | | | | | |
| 1 | 1710 | 2.750-10 | 3.750 | 5.750 | EY 6-4-6821-1 |
| 1 | 1710 | 2.750-10 | 3.750 | 5.750 | EY 6-4-6931-1X |
| 1 | 1710 | 2.750-10 | 3.750 | 5.750 | EY 6-4-6931X |
| 1 | 1760 | 2.750-10 | 3.750 | 5.969 | EY 6.3-4-711 |
| 1 | 1760 | 2.750-10 | 3.750 | 5.969 | EY 6.3-4-711-1 |
| 1 | 1760 | 2.750-10 | 3.750 | 5.969 | EY 6.3-4-791-1X |
| 1 | 1760 | 2.750-10 | 3.750 | 5.969 | EY 6.3-4-791X |
| 1 | 1810 | 2.750-10 | 3.750 | 6.062 | EY 6.5-4-3491 |
| 1 | 1810 | 2.750-10 | 3.750 | 6.062 | EY 6.5-4-3491-1 |
| 1 | 1810 | 2.750-10 | 3.750 | 6.062 | EY 6.5-4-3561-1X |
| 1 | 1810 | 2.750-10 | 3.750 | 6.062 | EY 6.5-4-3561X |

| | | | | | |
|-------------------------------|--------|----------|-------|-------|-------------------|
| RM-10-1150, RM-10-1250 | | | | | |
| 1 | SPL170 | 2.500-10 | 3.750 | 5.750 | EY 170-4-471-1■ |
| 1 | SPL170 | 2.500-10 | 3.750 | 5.750 | EY 170-4-481-1X■ |
| 1 | SPL250 | 2.500-10 | 3.750 | 6.062 | EY 250-4-191-1■ |
| 1 | SPL250 | 2.500-10 | 3.750 | 6.062 | EY 250-4-201-1X■ |
| 1 | 1710 | 2.500-10 | 3.750 | 5.625 | EY 6-4-6611■ |
| 1 | 1710 | 2.500-10 | 3.750 | 5.625 | EY 6-4-6611-1■ |
| 1 | 1710 | 2.500-10 | 3.750 | 5.625 | EY 6-4-6921-1X■ |
| 1 | 1710 | 2.500-10 | 3.750 | 5.625 | EY 6-4-6921X■ |
| 1 | 1760 | 2.500-10 | 3.750 | 6.000 | EY 6.3-4-651■ |
| 1 | 1760 | 2.500-10 | 3.750 | 6.031 | EY 6.3-4-651-1■ |
| 1 | 1760 | 2.500-10 | 3.750 | 6.031 | EY 6.3-4-781-1X■ |
| 1 | 1760 | 2.500-10 | 3.750 | 6.000 | EY 6.3-4-781X■ |
| 1 | 1810 | 2.500-10 | 3.750 | 5.875 | EY 6.5-4-3451■ |
| 1 | 1810 | 2.500-10 | 3.750 | 5.875 | EY 6.5-4-3451-1■ |
| 1 | 1810 | 2.500-10 | 3.750 | 5.875 | EY 6.5-4-3551-1X■ |
| 1 | 1810 | 2.500-10 | 3.750 | 5.875 | EY 6.5-4-3551X■ |

| | | | | | |
|---|--------|----------|-------|-------|------------------|
| RM-10-1350, RM-10-1450, RM-10-1550, RM-13-145A | | | | | |
| 1 | SPL140 | 2.750-10 | 3.750 | 6.570 | EY 140-4-81-1 |
| 1 | SPL140 | 2.750-10 | 3.750 | 6.570 | EY 140-4-91-1X |
| 1 | SPL170 | 2.750-10 | 3.750 | 5.850 | EY 170-4-511-1 |
| 1 | SPL170 | 2.750-10 | 3.750 | 5.850 | EY 170-4-521-1X |
| 1 | SPL250 | 2.750-10 | 3.750 | 6.297 | EY 250-4-231-1 |
| 1 | SPL250 | 2.750-10 | 3.750 | 6.297 | EY 250-4-241-1X |
| 1 | 1710 | 2.750-10 | 3.750 | 5.750 | EY 6-4-6821 |
| 1 | 1710 | 2.750-10 | 3.750 | 5.750 | EY 6-4-6821-1 |
| 1 | 1710 | 2.750-10 | 3.750 | 5.750 | EY 6-4-6931-1X |
| 1 | 1710 | 2.750-10 | 3.750 | 5.750 | EY 6-4-6931X |
| 1 | 1760 | 2.750-10 | 3.750 | 5.969 | EY 6.3-4-711 |
| 1 | 1760 | 2.750-10 | 3.750 | 5.969 | EY 6.3-4-711-1 |
| 1 | 1760 | 2.750-10 | 3.750 | 5.969 | EY 6.3-4-791-1X |
| 1 | 1760 | 2.750-10 | 3.750 | 5.969 | EY 6.3-4-791X |
| 1 | 1810 | 2.750-10 | 3.750 | 6.062 | EY 6.5-4-3491 |
| 1 | 1810 | 2.750-10 | 3.750 | 6.062 | EY 6.5-4-3491-1 |
| 1 | 1810 | 2.750-10 | 3.750 | 6.062 | EY 6.5-4-3561-1X |
| 1 | 1810 | 2.750-10 | 3.750 | 6.062 | EY 6.5-4-3561X |

| | | | | | |
|-------------------------------|--------|----------|-------|-------|-----------------|
| RM-13-1450, RM-13-1550 | | | | | |
| 1 | SPL140 | 2.750-10 | 3.750 | 6.570 | EY 140-4-81-1 |
| 1 | SPL140 | 2.750-10 | 3.750 | 6.570 | EY 140-4-91-1X |
| 1 | SPL170 | 2.750-10 | 3.750 | 5.850 | EY 170-4-511-1 |
| 1 | SPL170 | 2.750-10 | 3.750 | 5.850 | EY 170-4-521-1X |
| 1 | SPL250 | 2.750-10 | 3.750 | 6.297 | EY 250-4-231-1 |
| 1 | SPL250 | 2.750-10 | 3.750 | 6.297 | EY 250-4-241-1X |
| 1 | 1710 | 2.750-10 | 3.750 | 5.750 | EY 6-4-6931-1X |

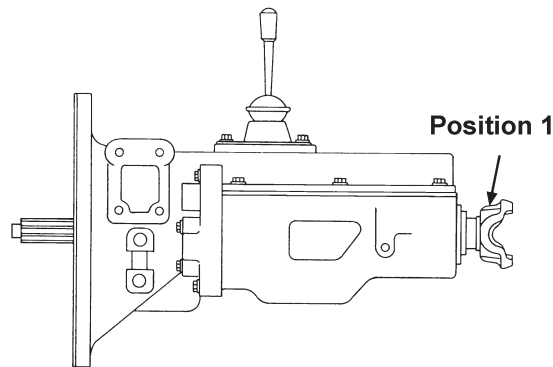
Continued on next page

*C/L to End of Hub for EY (End Yoke); Flange Face to End of Hub for CF (Companion Flange)
 ■ Hub machined for speedometer gear



Important: See Safety Information in General Information Section (J300P-GI)

MAIN TRANSMISSIONS



| Pos | Series | Spline Data | Hub Dia | * to End of Hub | End Fitting Part Number |
|-----|--------|-------------|---------|-----------------|-------------------------|
|-----|--------|-------------|---------|-----------------|-------------------------|

RM-13-1450, RM-13-1550 (Continued)

| | | | | | |
|---|------|----------|-------|-------|------------------|
| 1 | 1710 | 2.750-10 | 3.750 | 5.750 | EY 6-4-6931X |
| 1 | 1760 | 2.750-10 | 3.750 | 5.969 | EY 6.3-4-711 |
| 1 | 1760 | 2.750-10 | 3.750 | 5.969 | EY 6.3-4-711-1 |
| 1 | 1760 | 2.750-10 | 3.750 | 5.969 | EY 6.3-4-791-1X |
| 1 | 1760 | 2.750-10 | 3.750 | 5.969 | EY 6.3-4-791X |
| 1 | 1810 | 2.750-10 | 3.750 | 6.062 | EY 6.5-4-3491 |
| 1 | 1810 | 2.750-10 | 3.750 | 6.062 | EY 6.5-4-3491-1 |
| 1 | 1810 | 2.750-10 | 3.750 | 6.062 | EY 6.5-4-3561-1X |
| 1 | 1810 | 2.750-10 | 3.750 | 6.062 | EY 6.5-4-3561X |

RMO-9-115A, RMO-9-125A, RMO-10-115A, RMO-10-125A

| | | | | | |
|---|--------|----------|-------|-------|-------------------|
| 1 | SPL140 | 2.500-10 | 3.750 | 5.960 | EY 140-4-41-1 |
| 1 | SPL140 | 2.500-10 | 3.750 | 5.960 | EY 140-4-51-1X |
| 1 | SPL170 | 2.500-10 | 3.750 | 5.750 | EY 170-4-471-1■ |
| 1 | SPL170 | 2.500-10 | 3.750 | 5.750 | EY 170-4-481-1X■ |
| 1 | SPL250 | 2.500-10 | 3.750 | 6.062 | EY 250-4-191-1■ |
| 1 | SPL250 | 2.500-10 | 3.750 | 6.062 | EY 250-4-201-1X■ |
| 1 | 1710 | 2.500-10 | 3.750 | 5.625 | EY 6-4-6611■ |
| 1 | 1710 | 2.500-10 | 3.750 | 5.625 | EY 6-4-6611-1■ |
| 1 | 1710 | 2.500-10 | 3.750 | 5.625 | EY 6-4-6921-1X■ |
| 1 | 1710 | 2.500-10 | 3.750 | 5.625 | EY 6-4-6921X■ |
| 1 | 1760 | 2.500-10 | 3.750 | 6.000 | EY 6.3-4-651■ |
| 1 | 1760 | 2.500-10 | 3.750 | 6.031 | EY 6.3-4-651-1■ |
| 1 | 1760 | 2.500-10 | 3.750 | 6.031 | EY 6.3-4-781-1X■ |
| 1 | 1760 | 2.500-10 | 3.750 | 6.000 | EY 6.3-4-781X■ |
| 1 | 1810 | 2.500-10 | 3.750 | 5.875 | EY 6.5-4-3451■ |
| 1 | 1810 | 2.500-10 | 3.750 | 5.875 | EY 6.5-4-3451-1■ |
| 1 | 1810 | 2.500-10 | 3.750 | 5.875 | EY 6.5-4-3551-1X■ |
| 1 | 1810 | 2.500-10 | 3.750 | 5.875 | EY 6.5-4-3551X■ |

RMO-12-145A

| | | | | | |
|---|--------|----------|-------|-------|---------------|
| 1 | SPL140 | 2.750-10 | 3.750 | 6.570 | EY 140-4-81-1 |
|---|--------|----------|-------|-------|---------------|

RMO-13-145A, RMX-10-165A

| | | | | | |
|---|--------|----------|-------|-------|-----------------|
| 1 | SPL140 | 2.750-10 | 3.750 | 6.570 | EY 140-4-91-1X |
| 1 | SPL170 | 2.750-10 | 3.750 | 5.850 | EY 170-4-511-1 |
| 1 | SPL170 | 2.750-10 | 3.750 | 5.850 | EY 170-4-521-1X |
| 1 | SPL250 | 2.750-10 | 3.750 | 6.297 | EY 250-4-231-1 |
| 1 | SPL250 | 2.750-10 | 3.750 | 6.297 | EY 250-4-241-1X |
| 1 | 1710 | 2.750-10 | 3.750 | 5.750 | EY 6-4-6821 |
| 1 | 1710 | 2.750-10 | 3.750 | 5.750 | EY 6-4-6821-1 |
| 1 | 1710 | 2.750-10 | 3.750 | 5.750 | EY 6-4-6931-1X |
| 1 | 1710 | 2.750-10 | 3.750 | 5.750 | EY 6-4-6931X |
| 1 | 1760 | 2.750-10 | 3.750 | 5.969 | EY 6.3-4-711 |
| 1 | 1760 | 2.750-10 | 3.750 | 5.969 | EY 6.3-4-711-1 |

| Pos | Series | Spline Data | Hub Dia | * to End of Hub | End Fitting Part Number |
|-----|--------|-------------|---------|-----------------|-------------------------|
|-----|--------|-------------|---------|-----------------|-------------------------|

RMO-13-145A, RMX-10-165A (Continued)

| | | | | | |
|---|------|----------|-------|-------|------------------|
| 1 | 1760 | 2.750-10 | 3.750 | 5.969 | EY 6.3-4-791-1X |
| 1 | 1760 | 2.750-10 | 3.750 | 5.969 | EY 6.3-4-791X |
| 1 | 1810 | 2.750-10 | 3.750 | 6.062 | EY 6.5-4-3491 |
| 1 | 1810 | 2.750-10 | 3.750 | 6.062 | EY 6.5-4-3491-1 |
| 1 | 1810 | 2.750-10 | 3.750 | 6.062 | EY 6.5-4-3561-1X |
| 1 | 1810 | 2.750-10 | 3.750 | 6.062 | EY 6.5-4-3561X |

RMX-13-145A

| | | | | | |
|---|------|----------|-------|-------|---------------|
| 1 | 1760 | 2.750-10 | 3.750 | 5.969 | EY 6.3-4-791X |
|---|------|----------|-------|-------|---------------|

SPICER®

AMO1000-4, APO1000-4

| | | | | | |
|---|--------|----------|-------|-------|-----------------|
| 1 | SPL250 | 2.750-10 | 4.000 | 6.370 | EY 250-4-551-1■ |
|---|--------|----------|-------|-------|-----------------|

ASO125-10, ASO140-10

| | | | | | |
|---|------|----------|-------|-------|------------------|
| 1 | 1810 | 2.500-10 | 3.750 | 3.625 | CF 6.5-1-2271 |
| 1 | 1810 | 2.500-10 | 3.750 | 3.625 | CF 6.5-1-2351X |
| 1 | 1710 | 2.500-10 | 3.750 | 5.625 | EY 6-4-6611■ |
| 1 | 1710 | 2.500-10 | 3.750 | 5.625 | EY 6-4-6611-1■ |
| 1 | 1760 | 2.500-10 | 3.750 | 6.000 | EY 6.3-4-651■ |
| 1 | 1760 | 2.500-10 | 3.750 | 6.031 | EY 6.3-4-651-1■ |
| 1 | 1810 | 2.500-10 | 3.750 | 5.875 | EY 6.5-4-3451■ |
| 1 | 1810 | 2.500-10 | 3.750 | 5.875 | EY 6.5-4-3451-1■ |

ASO150-10

| | | | | | |
|---|--------|----------|-------|-------|------------------|
| 1 | 1810 | 2.500-10 | 3.750 | 3.625 | CF 6.5-1-2271 |
| 1 | 1810 | 2.500-10 | 3.750 | 3.625 | CF 6.5-1-2351X |
| 1 | SPL250 | 2.500-10 | 3.750 | 6.250 | EY 250-4-561-1■ |
| 1 | 1710 | 2.500-10 | 3.750 | 5.625 | EY 6-4-6611■ |
| 1 | 1710 | 2.500-10 | 3.750 | 5.625 | EY 6-4-6611-1■ |
| 1 | 1760 | 2.500-10 | 3.750 | 6.000 | EY 6.3-4-651■ |
| 1 | 1760 | 2.500-10 | 3.750 | 6.031 | EY 6.3-4-651-1■ |
| 1 | 1810 | 2.500-10 | 3.750 | 5.875 | EY 6.5-4-3451■ |
| 1 | 1810 | 2.500-10 | 3.750 | 5.875 | EY 6.5-4-3451-1■ |

ASO165-10

| | | | | | |
|---|------|----------|-------|-------|------------------|
| 1 | 1810 | 2.500-10 | 3.750 | 3.625 | CF 6.5-1-2271 |
| 1 | 1810 | 2.500-10 | 3.750 | 3.625 | CF 6.5-1-2351X |
| 1 | 1710 | 2.500-10 | 3.750 | 5.625 | EY 6-4-6611■ |
| 1 | 1710 | 2.500-10 | 3.750 | 5.625 | EY 6-4-6611-1■ |
| 1 | 1760 | 2.500-10 | 3.750 | 6.000 | EY 6.3-4-651■ |
| 1 | 1760 | 2.500-10 | 3.750 | 6.031 | EY 6.3-4-651-1■ |
| 1 | 1810 | 2.500-10 | 3.750 | 5.875 | EY 6.5-4-3451■ |
| 1 | 1810 | 2.500-10 | 3.750 | 5.875 | EY 6.5-4-3451-1■ |

*C/L to End of Hub for EY (End Yoke); Flange Face to End of Hub for CF (Companion Flange)

■ Hub machined for speedometer gear



| Pos | Series | Spline Data | Hub Dia | * to End of Hub | End Fitting Part Number |
|-------------------|-----------|-------------|---------|-----------------|--|
| ATO1000-4 | | | | | |
| 1 | SPL250 | 2.750-10 | 4.000 | 6.370 | EY 250-4-551-1■ |
| CM40, CM49 | | | | | |
| 1 | 1610 | 1.998-38 | 2.750 | 4.688 | CF 5-1-6271 <i>Can be used w/brake</i> |
| 1 | SPL140 | 1.998-38 | 2.750 | 7.728 | EY 140-4-1021-1 <i>Flanged end yoke.</i> |
| 1 | SPL140 | 1.998-38 | 2.750 | 4.830 | EY 140-4-111-1 <i>Can be used w/brake</i> |
| 1 | SPL140 | 1.998-38 | 2.750 | 4.730 | EY 140-4-891-1 |
| 1 | SPL170 | 1.998-38 | 2.750 | 4.844 | EY 170-4-541-1 |
| 1 | SPL90 | 1.998-38 | 2.750 | 7.562 | EY 90-4-111-1 <i>Can be used w/brake; Flanged end yoke.</i> |
| 1 | SPL90 | 1.998-38 | 2.750 | 4.250 | EY 90-4-391-1 <i>Can be used w/brake</i> |
| 1 | SPL90 | 1.998-38 | 2.750 | 4.000 | EY 90-4-71-1 <i>Can be used w/brake</i> |
| 1 | 1550 | 1.998-38 | 2.750 | 4.035 | EY 4-4-4491-1 <i>S/A 4-4-7341-1 But Hub does not Include Slinger Diameter</i> |
| 1 | 1550 | 1.998-38 | 2.750 | 4.156 | EY 4-4-4611 |
| 1 | 1550 | 1.998-38 | 2.750 | 4.156 | EY 4-4-4611-1 |
| 1 | 1550 | 1.998-38 | 2.750 | 4.156 | EY 4-4-4611-2 <i>Attaching hardware by OEM</i> |
| 1 | 1550 | 1.998-38 | 2.750 | 7.031 | EY 4-4-6101-1 <i>Can be used w/brake; Flanged end yoke.</i> |
| 1 | 1610 | 1.998-38 | 2.750 | 4.125 | EY 5-4-6321 |
| 1 | 1610 | 1.998-38 | 2.750 | 4.000 | EY 5-4-6321-1 |
| 1 | 1610 | 1.998-38 | 2.750 | 4.156 | EY 5-4-6481 |
| 1 | 1610 | 1.998-38 | 2.750 | 4.156 | EY 5-4-6481-1 |
| 1 | 1610 | 1.998-38 | 2.750 | 7.562 | EY 5-4-7601-1 <i>Flanged end yoke.</i> |
| 1 | 1710 | 1.998-38 | 2.750 | 5.250 | EY 6-4-7301 |
| 1 | 1710 | 1.998-38 | 2.750 | 5.250 | EY 6-4-7301-1 |
| CM50 | | | | | |
| 1 | 1480/1550 | 1.750-10 | 2.500 | 3.000 | CF 4-1-3891 |
| 1 | 1610 | 1.750-10 | 2.500 | 4.250 | EY 5-4-1051 |
| CM55 | | | | | |
| 1 | 1610 | 1.998-38 | 2.750 | 4.688 | CF 5-1-6271 <i>Can be used w/brake</i> |
| 1 | SPL140 | 1.998-38 | 2.750 | 7.728 | EY 140-4-1021-1 <i>Flanged end yoke.</i> |
| 1 | SPL140 | 1.998-38 | 2.750 | 4.830 | EY 140-4-111-1 |
| 1 | SPL140 | 1.998-38 | 2.750 | 4.730 | EY 140-4-891-1 |
| 1 | SPL170 | 1.998-38 | 2.750 | 4.844 | EY 170-4-541-1 |
| 1 | SPL90 | 1.998-38 | 2.750 | 7.562 | EY 90-4-111-1 <i>Can be used w/brake; Flanged end yoke.</i> |
| 1 | SPL90 | 1.998-38 | 2.750 | 4.250 | EY 90-4-391-1 |
| 1 | SPL90 | 1.998-38 | 2.750 | 4.000 | EY 90-4-71-1 |
| 1 | 1550 | 1.998-38 | 2.750 | 4.035 | EY 4-4-4491-1 <i>S/A 4-4-7341-1 But Hub does not Include Slinger Diameter</i> |
| 1 | 1550 | 1.998-38 | 2.750 | 4.156 | EY 4-4-4611 |
| 1 | 1550 | 1.998-38 | 2.750 | 4.156 | EY 4-4-4611-1 |
| 1 | 1550 | 1.998-38 | 2.750 | 4.156 | EY 4-4-4611-2 <i>Attaching hardware by OEM</i> |
| 1 | 1550 | 1.998-38 | 2.750 | 7.031 | EY 4-4-6101-1 <i>Can be used w/brake; Flanged end yoke.</i> |
| 1 | 1610 | 1.998-38 | 2.750 | 4.125 | EY 5-4-6321 |
| 1 | 1610 | 1.998-38 | 2.750 | 4.000 | EY 5-4-6321-1 |
| 1 | 1610 | 1.998-38 | 2.750 | 4.156 | EY 5-4-6481 |
| 1 | 1610 | 1.998-38 | 2.750 | 4.156 | EY 5-4-6481-1 |
| 1 | 1610 | 1.998-38 | 2.750 | 7.562 | EY 5-4-7601-1 <i>Flanged end yoke.</i> |
| 1 | 1710 | 1.998-38 | 2.750 | 5.250 | EY 6-4-7301 |
| 1 | 1710 | 1.998-38 | 2.750 | 5.250 | EY 6-4-7301-1 |

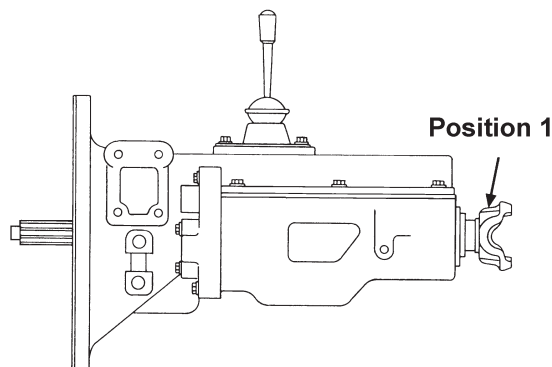
| Pos | Series | Spline Data | Hub Dia | * to End of Hub | End Fitting Part Number |
|----------------|--------|-------------|---------|-----------------|--|
| CM59 | | | | | |
| 1 | 1610 | 1.998-38 | 2.750 | 4.688 | CF 5-1-6271 <i>Can be used w/brake</i> |
| 1 | SPL140 | 1.998-38 | 2.750 | 4.830 | EY 140-4-111-1 |
| 1 | SPL140 | 1.998-38 | 2.750 | 4.730 | EY 140-4-891-1 |
| 1 | SPL170 | 1.998-38 | 2.750 | 4.844 | EY 170-4-541-1 |
| 1 | SPL90 | 1.998-38 | 2.750 | 7.562 | EY 90-4-111-1 <i>Can be used w/brake; Flanged end yoke.</i> |
| 1 | SPL90 | 1.998-38 | 2.750 | 4.250 | EY 90-4-391-1 |
| 1 | SPL90 | 1.998-38 | 2.750 | 4.000 | EY 90-4-71-1 |
| 1 | 1550 | 1.998-38 | 2.750 | 4.035 | EY 4-4-4491-1 <i>S/A 4-4-7341-1 But Hub does not Include Slinger Diameter</i> |
| 1 | 1550 | 1.998-38 | 2.750 | 4.156 | EY 4-4-4611 |
| 1 | 1550 | 1.998-38 | 2.750 | 4.156 | EY 4-4-4611-1 |
| 1 | 1550 | 1.998-38 | 2.750 | 4.156 | EY 4-4-4611-2 <i>Attaching hardware by OEM</i> |
| 1 | 1550 | 1.998-38 | 2.750 | 7.031 | EY 4-4-6101-1 <i>Can be used w/brake; Flanged end yoke.</i> |
| 1 | 1610 | 1.998-38 | 2.750 | 4.125 | EY 5-4-6321 |
| 1 | 1610 | 1.998-38 | 2.750 | 4.000 | EY 5-4-6321-1 |
| 1 | 1610 | 1.998-38 | 2.750 | 4.156 | EY 5-4-6481 |
| 1 | 1610 | 1.998-38 | 2.750 | 4.156 | EY 5-4-6481-1 |
| 1 | 1610 | 1.998-38 | 2.750 | 7.562 | EY 5-4-7601-1 <i>Can be used w/brake; Flanged end yoke.</i> |
| 1 | 1710 | 1.998-38 | 2.750 | 5.250 | EY 6-4-7301 |
| 1 | 1710 | 1.998-38 | 2.750 | 5.250 | EY 6-4-7301-1 |
| CM60 | | | | | |
| 1 | SPL90 | 2.000-10 | 2.750 | 4.969 | EY 90-4-21-1 |
| 1 | 1550 | 2.000-10 | 2.750 | 3.625 | CF 4-1-3781 |
| 1 | 1610 | 2.000-10 | 2.750 | 3.625 | CF 5-1-3141 |
| 1 | 1710 | 2.000-10 | 2.750 | 3.688 | CF 6-1-2221 |
| 1 | 1610 | 2.000-10 | 2.750 | 5.188 | EY 5-4-1661 |
| 1 | 1610 | 2.000-10 | 2.750 | 5.469 | EY 5-4-1661-1 |
| 1 | 1610 | 1.962-10 | 2.750 | 5.281 | EY 5-4-7041-1 |
| 1 | 1710 | 1.962-10 | 2.750 | 5.156 | EY 6-4-3831 |
| 1 | 1710 | 1.962-10 | 2.750 | 5.156 | EY 6-4-3831-1 |
| ESO65-7 | | | | | |
| 1 | 1610 | 1.998-38 | 2.750 | 4.688 | CF 5-1-6271 <i>Assy includes eight 6-73-725 bolts</i> |
| 1 | SPL140 | 1.998-38 | 2.750 | 4.830 | EY 140-4-111-1 |
| 1 | SPL170 | 1.998-38 | 2.750 | 4.844 | EY 170-4-541-1 |
| 1 | SPL90 | 1.998-38 | 2.750 | 7.562 | EY 90-4-111-1 <i>Can be used w/brake; Flanged end yoke.</i> |
| 1 | SPL90 | 1.998-38 | 2.750 | 4.250 | EY 90-4-391-1 |
| 1 | SPL90 | 1.998-38 | 2.750 | 4.000 | EY 90-4-71-1 |
| 1 | 1550 | 1.998-38 | 2.750 | 4.035 | EY 4-4-4491-1 <i>S/A 4-4-7341-1 But Hub does not Include Slinger Diameter</i> |
| 1 | 1550 | 1.998-38 | 2.750 | 4.156 | EY 4-4-4611 |
| 1 | 1550 | 1.998-38 | 2.750 | 4.156 | EY 4-4-4611-1 |
| 1 | 1550 | 1.998-38 | 2.750 | 4.156 | EY 4-4-4611-2 <i>Attaching hardware by OEM</i> |
| 1 | 1550 | 1.998-38 | 2.750 | 7.031 | EY 4-4-6101-1 <i>Flanged end yoke.</i> |
| 1 | 1610 | 1.998-38 | 2.750 | 4.125 | EY 5-4-6321 |
| 1 | 1610 | 1.998-38 | 2.750 | 4.000 | EY 5-4-6321-1 |
| 1 | 1610 | 1.998-38 | 2.750 | 4.156 | EY 5-4-6481 |
| 1 | 1610 | 1.998-38 | 2.750 | 4.156 | EY 5-4-6481-1 |
| 1 | 1610 | 1.998-38 | 2.750 | 7.562 | EY 5-4-7601-1 <i>Flanged end yoke.</i> |
| 1 | 1710 | 1.998-38 | 2.750 | 5.250 | EY 6-4-7301 |
| 1 | 1710 | 1.998-38 | 2.750 | 5.250 | EY 6-4-7301-1 |

*C/L to End of Hub for EY (End Yoke); Flange Face to End of Hub for CF (Companion Flange)

■ Hub machined for speedometer gear



Important: See Safety Information in General Information Section (J300P-GI)



| Pos | Series | Spline Data | Hub Dia | * to End of Hub | End Fitting Part Number |
|-----|--------|-------------|---------|-----------------|-------------------------|
|-----|--------|-------------|---------|-----------------|-------------------------|

ESO66-7

| | | | | | |
|---|------|----------|-------|-------|--|
| 1 | 1550 | 1.998-38 | 2.750 | 4.035 | EY 4-4-4491-1 <i>S/A 4-4-7341-1 But Hub does not Include Slinger Diameter</i> |
| 1 | 1550 | 1.998-38 | 2.750 | 4.156 | EY 4-4-4611 |
| 1 | 1550 | 1.998-38 | 2.750 | 4.156 | EY 4-4-4611-1 |
| 1 | 1550 | 1.998-38 | 2.750 | 4.156 | EY 4-4-4611-2 <i>Attaching hardware by OEM</i> |
| 1 | 1610 | 1.998-38 | 2.750 | 4.125 | EY 5-4-6321 |
| 1 | 1610 | 1.998-38 | 2.750 | 4.000 | EY 5-4-6321-1 |
| 1 | 1610 | 1.998-38 | 2.750 | 4.156 | EY 5-4-6481 |
| 1 | 1610 | 1.998-38 | 2.750 | 4.156 | EY 5-4-6481-1 |
| 1 | 1610 | 1.998-38 | 2.750 | 5.250 | EY 6-4-7301 |
| 1 | 1610 | 1.998-38 | 2.750 | 5.250 | EY 6-4-7301-1 |

ES42-5

| | | | | | |
|---|--------|----------|-------|-------|--|
| 1 | 1610 | 1.998-38 | 2.750 | 4.688 | CF 5-1-6271 |
| 1 | SPL140 | 1.998-38 | 2.750 | 4.730 | EY 140-4-891-1 |
| 1 | SPL170 | 1.998-38 | 2.750 | 4.844 | EY 170-4-541-1 |
| 1 | SPL90 | 1.998-38 | 2.750 | 7.562 | EY 90-4-111-1 <i>Can be used w/brake; Flanged end yoke.</i> |
| 1 | SPL90 | 1.998-38 | 2.750 | 4.250 | EY 90-4-391-1 |
| 1 | SPL90 | 1.998-38 | 2.750 | 4.000 | EY 90-4-71-1 |
| 1 | 1550 | 1.998-38 | 2.750 | 4.035 | EY 4-4-4491-1 <i>S/A 4-4-7341-1 But Hub does not Include Slinger Diameter</i> |
| 1 | 1550 | 1.998-38 | 2.750 | 4.156 | EY 4-4-4611 |
| 1 | 1550 | 1.998-38 | 2.750 | 4.156 | EY 4-4-4611-1 |
| 1 | 1550 | 1.998-38 | 2.750 | 4.156 | EY 4-4-4611-2 <i>Attaching hardware by OEM</i> |
| 1 | 1550 | 1.998-38 | 2.750 | 7.031 | EY 4-4-6101-1 <i>Flanged end yoke.</i> |
| 1 | 1610 | 1.998-38 | 2.750 | 4.125 | EY 5-4-6321 |
| 1 | 1610 | 1.998-38 | 2.750 | 4.000 | EY 5-4-6321-1 |
| 1 | 1610 | 1.998-38 | 2.750 | 4.156 | EY 5-4-6481 |
| 1 | 1610 | 1.998-38 | 2.750 | 4.156 | EY 5-4-6481-1 |
| 1 | 1610 | 1.998-38 | 2.750 | 7.562 | EY 5-4-7601-1 <i>Flanged end yoke.</i> |
| 1 | 1710 | 1.998-38 | 2.750 | 5.250 | EY 6-4-7301 |
| 1 | 1710 | 1.998-38 | 2.750 | 5.250 | EY 6-4-7301-1 |

ES43-5

| | | | | | |
|---|--------|----------|-------|-------|--|
| 1 | 1610 | 1.998-38 | 2.750 | 4.688 | CF 5-1-6271 |
| 1 | SPL140 | 1.998-38 | 2.750 | 4.830 | EY 140-4-111-1 |
| 1 | SPL140 | 1.998-38 | 2.750 | 4.730 | EY 140-4-891-1 |
| 1 | SPL170 | 1.998-38 | 2.750 | 4.844 | EY 170-4-541-1 |
| 1 | SPL90 | 1.998-38 | 2.750 | 7.562 | EY 90-4-111-1 <i>Can be used w/brake; Flanged end yoke.</i> |
| 1 | SPL90 | 1.998-38 | 2.750 | 4.250 | EY 90-4-391-1 |
| 1 | SPL90 | 1.998-38 | 2.750 | 4.000 | EY 90-4-71-1 |

| Pos | Series | Spline Data | Hub Dia | * to End of Hub | End Fitting Part Number |
|-----|--------|-------------|---------|-----------------|-------------------------|
|-----|--------|-------------|---------|-----------------|-------------------------|

ES43-5 (Continued)

| | | | | | |
|---|------|----------|-------|-------|--|
| 1 | 1550 | 1.998-38 | 2.750 | 4.035 | EY 4-4-4491-1 <i>S/A 4-4-7341-1 But Hub does not Include Slinger Diameter</i> |
| 1 | 1550 | 1.998-38 | 2.750 | 7.031 | EY 4-4-6101-1 <i>Flanged end yoke.</i> |
| 1 | 1610 | 1.998-38 | 2.750 | 4.125 | EY 5-4-6321 |
| 1 | 1610 | 1.998-38 | 2.750 | 4.000 | EY 5-4-6321-1 |
| 1 | 1610 | 1.998-38 | 2.750 | 4.156 | EY 5-4-6481 |
| 1 | 1610 | 1.998-38 | 2.750 | 4.156 | EY 5-4-6481-1 |
| 1 | 1610 | 1.998-38 | 2.750 | 7.562 | EY 5-4-7601-1 <i>Flanged end yoke.</i> |
| 1 | 1710 | 1.998-38 | 2.750 | 5.250 | EY 6-4-7301 |
| 1 | 1710 | 1.998-38 | 2.750 | 5.250 | EY 6-4-7301-1 |

ES49-5

| | | | | | |
|---|-----------|----------|-------|-------|--|
| 1 | 1480/1550 | 1.998-38 | 2.750 | 2.875 | CF 4-1-5021 |
| 1 | 1480/1550 | 1.998-38 | 2.750 | 3.875 | CF 4-1-6051X <i>Can be used w/brake</i> |
| 1 | 1550 | 1.998-38 | 2.750 | 4.035 | EY 4-4-4491-1 <i>S/A 4-4-7341-1 But Hub does not Include Slinger Diameter</i> |
| 1 | 1550 | 1.998-38 | 2.750 | 4.156 | EY 4-4-4611 |
| 1 | 1550 | 1.998-38 | 2.750 | 4.156 | EY 4-4-4611-1 |
| 1 | 1550 | 1.998-38 | 2.750 | 4.156 | EY 4-4-4611-2 <i>Attaching hardware by OEM</i> |
| 1 | 1610 | 1.998-38 | 2.750 | 4.125 | EY 5-4-6321 |
| 1 | 1610 | 1.998-38 | 2.750 | 4.000 | EY 5-4-6321-1 |
| 1 | 1610 | 1.998-38 | 2.750 | 4.156 | EY 5-4-6481 |
| 1 | 1610 | 1.998-38 | 2.750 | 4.156 | EY 5-4-6481-1 |
| 1 | 1710 | 1.998-38 | 2.750 | 5.250 | EY 6-4-7301 |
| 1 | 1710 | 1.998-38 | 2.750 | 5.250 | EY 6-4-7301-1 |

ES52-5

| | | | | | |
|---|-----------|----------|-------|-------|--|
| 1 | 1480/1550 | 1.998-38 | 2.750 | 2.875 | CF 4-1-5021 |
| 1 | 1480/1550 | 1.998-38 | 2.750 | 3.875 | CF 4-1-6051X <i>Can be used w/brake; Assy includes four 8-73-226 studs</i> |
| 1 | 1610 | 1.998-38 | 2.750 | 4.688 | CF 5-1-6271 |
| 1 | SPL140 | 1.998-38 | 2.750 | 4.830 | EY 140-4-111-1 |
| 1 | SPL140 | 1.998-38 | 2.750 | 4.730 | EY 140-4-891-1 |
| 1 | SPL170 | 1.998-38 | 2.750 | 4.844 | EY 170-4-541-1 |
| 1 | SPL90 | 1.998-38 | 2.750 | 7.562 | EY 90-4-111-1 <i>Can be used w/brake; Flanged end yoke.</i> |
| 1 | SPL90 | 1.998-38 | 2.750 | 4.250 | EY 90-4-391-1 |
| 1 | SPL90 | 1.998-38 | 2.750 | 4.000 | EY 90-4-71-1 |
| 1 | 1550 | 1.998-38 | 2.750 | 4.035 | EY 4-4-4491-1 <i>S/A 4-4-7341-1 But Hub does not Include Slinger Diameter</i> |
| 1 | 1550 | 1.998-38 | 2.750 | 4.156 | EY 4-4-4611 |
| 1 | 1550 | 1.998-38 | 2.750 | 4.156 | EY 4-4-4611-1 |
| 1 | 1550 | 1.998-38 | 2.750 | 4.156 | EY 4-4-4611-2 <i>Attaching hardware by OEM</i> |

*C/L to End of Hub for EY (End Yoke); Flange Face to End of Hub for CF (Companion Flange)

■ Hub machined for speedometer gear



| Pos | Series | Spline Data | Hub Dia | * to End of Hub | End Fitting Part Number |
|---------------------------|--------|-------------|---------|-----------------|---|
| ES52-5 (Continued) | | | | | |
| 1 | 1550 | 1.998-38 | 2.750 | 7.031 | EY 4-4-6101-1 <i>Flanged end yoke.</i> |
| 1 | 1610 | 1.998-38 | 2.750 | 4.125 | EY 5-4-6321 |
| 1 | 1610 | 1.998-38 | 2.750 | 4.000 | EY 5-4-6321-1 |
| 1 | 1610 | 1.998-38 | 2.750 | 4.156 | EY 5-4-6481 |
| 1 | 1610 | 1.998-38 | 2.750 | 4.156 | EY 5-4-6481-1 |
| 1 | 1610 | 1.998-38 | 2.750 | 7.562 | EY 5-4-7601-1 <i>Flanged end yoke.</i> |
| 1 | 1710 | 1.998-38 | 2.750 | 5.250 | EY 6-4-7301 |
| 1 | 1710 | 1.998-38 | 2.750 | 5.250 | EY 6-4-7301-1 |

| Pos | Series | Spline Data | Hub Dia | * to End of Hub | End Fitting Part Number |
|---------------|--------|-------------|---------|-----------------|--|
| ES52-7 | | | | | |
| 1 | 1610 | 1.998-38 | 2.750 | 4.688 | CF 5-1-6271 |
| 1 | SPL140 | 1.998-38 | 2.750 | 4.830 | EY 140-4-111-1 |
| 1 | SPL140 | 1.998-38 | 2.750 | 4.730 | EY 140-4-891-1 |
| 1 | SPL170 | 1.998-38 | 2.750 | 4.844 | EY 170-4-541-1 |
| 1 | SPL90 | 1.998-38 | 2.750 | 7.562 | EY 90-4-111-1 <i>Can be used w/brake; Flanged end yoke.</i> |
| 1 | SPL90 | 1.998-38 | 2.750 | 4.250 | EY 90-4-391-1 |
| 1 | SPL90 | 1.998-38 | 2.750 | 4.000 | EY 90-4-71-1 |
| 1 | 1550 | 1.998-38 | 2.750 | 4.035 | EY 4-4-4491-1 <i>S/A 4-4-7341-1 But Hub does not Include Slinger Diameter</i> |
| 1 | 1550 | 1.998-38 | 2.750 | 4.156 | EY 4-4-4611 |
| 1 | 1550 | 1.998-38 | 2.750 | 4.156 | EY 4-4-4611-1 |
| 1 | 1550 | 1.998-38 | 2.750 | 4.156 | EY 4-4-4611-2 <i>Attaching hardware by OEM</i> |
| 1 | 1550 | 1.998-38 | 2.750 | 7.031 | EY 4-4-6101-1 <i>Flanged end yoke.</i> |
| 1 | 1610 | 1.998-38 | 2.750 | 4.125 | EY 5-4-6321 |
| 1 | 1610 | 1.998-38 | 2.750 | 4.000 | EY 5-4-6321-1 |
| 1 | 1610 | 1.998-38 | 2.750 | 4.156 | EY 5-4-6481 |
| 1 | 1610 | 1.998-38 | 2.750 | 4.156 | EY 5-4-6481-1 |
| 1 | 1610 | 1.998-38 | 2.750 | 7.562 | EY 5-4-7601-1 <i>Flanged end yoke.</i> |
| 1 | 1710 | 1.998-38 | 2.750 | 5.250 | EY 6-4-7301 |
| 1 | 1710 | 1.998-38 | 2.750 | 5.250 | EY 6-4-7301-1 |

| Pos | Series | Spline Data | Hub Dia | * to End of Hub | End Fitting Part Number |
|---------------|--------|-------------|---------|-----------------|--|
| ES53-5 | | | | | |
| 1 | 1610 | 1.998-38 | 2.750 | 4.688 | CF 5-1-6271 |
| 1 | SPL140 | 1.998-38 | 2.750 | 4.830 | EY 140-4-111-1 |
| 1 | SPL140 | 1.998-38 | 2.750 | 4.730 | EY 140-4-891-1 |
| 1 | SPL170 | 1.998-38 | 2.750 | 4.844 | EY 170-4-541-1 |
| 1 | SPL90 | 1.998-38 | 2.750 | 7.562 | EY 90-4-111-1 <i>Can be used w/brake; Flanged end yoke.</i> |
| 1 | SPL90 | 1.998-38 | 2.750 | 4.250 | EY 90-4-391-1 |
| 1 | SPL90 | 1.998-38 | 2.750 | 4.000 | EY 90-4-71-1 |
| 1 | 1550 | 1.998-38 | 2.750 | 4.035 | EY 4-4-4491-1 <i>S/A 4-4-7341-1 But Hub does not Include Slinger Diameter</i> |
| 1 | 1550 | 1.998-38 | 2.750 | 7.031 | EY 4-4-6101-1 <i>Flanged end yoke.</i> |
| 1 | 1610 | 1.998-38 | 2.750 | 4.125 | EY 5-4-6321 |
| 1 | 1610 | 1.998-38 | 2.750 | 4.000 | EY 5-4-6321-1 |
| 1 | 1610 | 1.998-38 | 2.750 | 4.156 | EY 5-4-6481 |
| 1 | 1610 | 1.998-38 | 2.750 | 4.156 | EY 5-4-6481-1 |
| 1 | 1610 | 1.998-38 | 2.750 | 7.562 | EY 5-4-7601-1 <i>Flanged end yoke.</i> |
| 1 | 1710 | 1.998-38 | 2.750 | 5.250 | EY 6-4-7301 |
| 1 | 1710 | 1.998-38 | 2.750 | 5.250 | EY 6-4-7301-1 |

| Pos | Series | Spline Data | Hub Dia | * to End of Hub | End Fitting Part Number |
|---------------|--------|-------------|---------|-----------------|-------------------------|
| ES60-5 | | | | | |
| 1 | 1610 | 1.998-38 | 2.750 | 4.688 | CF 5-1-6271 |
| 1 | SPL140 | 1.998-38 | 2.750 | 4.830 | EY 140-4-111-1 |

| Pos | Series | Spline Data | Hub Dia | * to End of Hub | End Fitting Part Number |
|---------------------------|--------|-------------|---------|-----------------|--|
| ES60-5 (Continued) | | | | | |
| 1 | SPL140 | 1.998-38 | 2.750 | 4.730 | EY 140-4-891-1 |
| 1 | SPL170 | 1.998-38 | 2.750 | 4.844 | EY 170-4-541-1 |
| 1 | SPL90 | 1.998-38 | 2.750 | 7.562 | EY 90-4-111-1 <i>Can be used w/brake; Flanged end yoke.</i> |
| 1 | SPL90 | 1.998-38 | 2.750 | 4.250 | EY 90-4-391-1 |
| 1 | SPL90 | 1.998-38 | 2.750 | 4.000 | EY 90-4-71-1 |
| 1 | 1550 | 1.998-38 | 2.750 | 4.035 | EY 4-4-4491-1 <i>S/A 4-4-7341-1 But Hub does not Include Slinger Diameter</i> |
| 1 | 1550 | 1.998-38 | 2.750 | 4.156 | EY 4-4-4611 |
| 1 | 1550 | 1.998-38 | 2.750 | 4.156 | EY 4-4-4611-1 |
| 1 | 1550 | 1.998-38 | 2.750 | 4.156 | EY 4-4-4611-2 <i>Attaching hardware by OEM</i> |
| 1 | 1550 | 1.998-38 | 2.750 | 7.031 | EY 4-4-6101-1 <i>Flanged end yoke.</i> |
| 1 | 1610 | 1.998-38 | 2.750 | 4.125 | EY 5-4-6321 |
| 1 | 1610 | 1.998-38 | 2.750 | 4.000 | EY 5-4-6321-1 |
| 1 | 1610 | 1.998-38 | 2.750 | 4.156 | EY 5-4-6481 |
| 1 | 1610 | 1.998-38 | 2.750 | 4.156 | EY 5-4-6481-1 |
| 1 | 1610 | 1.998-38 | 2.750 | 7.562 | EY 5-4-7601-1 <i>Flanged end yoke.</i> |
| 1 | 1710 | 1.998-38 | 2.750 | 5.250 | EY 6-4-7301 |
| 1 | 1710 | 1.998-38 | 2.750 | 5.250 | EY 6-4-7301-1 |

| Pos | Series | Spline Data | Hub Dia | * to End of Hub | End Fitting Part Number |
|---------------|-----------|-------------|---------|-----------------|--|
| ES62-5 | | | | | |
| 1 | 1480/1550 | 1.998-38 | 2.750 | 3.875 | CF 4-1-6051X <i>Can be used w/brake; Assy includes four 8-73-226 studs</i> |
| 1 | 1610 | 1.998-38 | 2.750 | 4.688 | CF 5-1-6271 |
| 1 | SPL140 | 1.998-38 | 2.750 | 4.830 | EY 140-4-111-1 |
| 1 | SPL140 | 1.998-38 | 2.750 | 4.730 | EY 140-4-891-1 |
| 1 | SPL170 | 1.998-38 | 2.750 | 4.844 | EY 170-4-541-1 |
| 1 | SPL90 | 1.998-38 | 2.750 | 7.562 | EY 90-4-111-1 <i>Can be used w/brake; Flanged end yoke.</i> |
| 1 | SPL90 | 1.998-38 | 2.750 | 4.250 | EY 90-4-391-1 |
| 1 | SPL90 | 1.998-38 | 2.750 | 4.000 | EY 90-4-71-1 |
| 1 | 1550 | 1.998-38 | 2.750 | 4.035 | EY 4-4-4491-1 <i>S/A 4-4-7341-1 But Hub does not Include Slinger Diameter</i> |
| 1 | 1550 | 1.998-38 | 2.750 | 7.031 | EY 4-4-6101-1 <i>Flanged end yoke.</i> |
| 1 | 1610 | 1.998-38 | 2.750 | 4.125 | EY 5-4-6321 |
| 1 | 1610 | 1.998-38 | 2.750 | 4.000 | EY 5-4-6321-1 |
| 1 | 1610 | 1.998-38 | 2.750 | 4.156 | EY 5-4-6481 |
| 1 | 1610 | 1.998-38 | 2.750 | 4.156 | EY 5-4-6481-1 |
| 1 | 1610 | 1.998-38 | 2.750 | 7.562 | EY 5-4-7601-1 <i>Flanged end yoke.</i> |
| 1 | 1710 | 1.998-38 | 2.750 | 5.250 | EY 6-4-7301 |
| 1 | 1710 | 1.998-38 | 2.750 | 5.250 | EY 6-4-7301-1 |

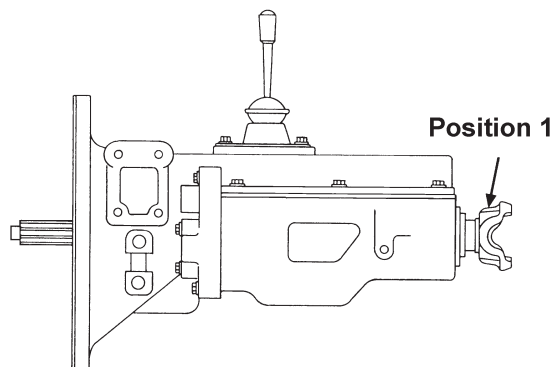
| Pos | Series | Spline Data | Hub Dia | * to End of Hub | End Fitting Part Number |
|---------------|-----------|-------------|---------|-----------------|---|
| ES65-5 | | | | | |
| 1 | 1480/1550 | 2.000-10 | 2.750 | 3.625 | CF 4-1-3781 |
| 1 | 1610 | 2.000-10 | 2.750 | 3.625 | CF 5-1-3141 |
| 1 | 1710 | 2.000-10 | 2.750 | 3.688 | CF 6-1-2221 |
| 1 | 1610 | 2.000-10 | 2.750 | 5.188 | EY 5-4-1661 <i>Can be used w/brake</i> |
| 1 | 1610 | 2.000-10 | 2.750 | 5.469 | EY 5-4-1661-1 <i>Can be used w/brake</i> |
| 1 | 1610 | 1.962-10 | 2.750 | 5.281 | EY 5-4-7041-1 <i>Can be used w/brake</i> |
| 1 | 1710 | 1.962-10 | 2.750 | 5.156 | EY 6-4-3831 <i>Can be used w/brake</i> |
| 1 | 1710 | 1.962-10 | 2.750 | 5.156 | EY 6-4-3831-1 <i>Can be used w/brake</i> |

*C/L to End of Hub for EY (End Yoke); Flange Face to End of Hub for CF (Companion Flange)

■ Hub machined for speedometer gear



Important: See Safety Information in General Information Section (J300P-GI)



| Pos | Series | Spline Data | Hub Dia | * to End of Hub | End Fitting Part Number |
|-----|--------|-------------|---------|-----------------|-------------------------|
|-----|--------|-------------|---------|-----------------|-------------------------|

ES65-7

| | | | | | |
|---|--------|----------|-------|-------|---|
| 1 | SPL140 | 1.998-38 | 2.750 | 4.730 | EY 140-4-891-1 |
| 1 | 1610 | 1.998-38 | 2.750 | 4.156 | EY 5-4-6481 |
| 1 | 1610 | 1.998-38 | 2.750 | 4.156 | EY 5-4-6481-1 |
| 1 | 1610 | 1.998-38 | 2.750 | 7.562 | EY 5-4-7601-1 <i>Flanged end yoke.</i> |

ES66-7

| | | | | | |
|---|--------|----------|-------|-------|--|
| 1 | 1610 | 1.998-38 | 2.750 | 4.688 | CF 5-1-6271 |
| 1 | SPL140 | 1.998-38 | 2.750 | 4.830 | EY 140-4-111-1 |
| 1 | SPL170 | 1.998-38 | 2.750 | 4.844 | EY 170-4-541-1 |
| 1 | SPL90 | 1.998-38 | 2.750 | 7.562 | EY 90-4-111-1 <i>Can be used w/brake; Flanged end yoke.</i> |
| 1 | SPL90 | 1.998-38 | 2.750 | 4.250 | EY 90-4-391-1 |
| 1 | SPL90 | 1.998-38 | 2.750 | 4.000 | EY 90-4-71-1 |
| 1 | 1550 | 1.998-38 | 2.750 | 4.035 | EY 4-4-4491-1 |
| 1 | 1550 | 1.998-38 | 2.750 | 7.031 | EY 4-4-6101-1 <i>S/A 4-4-7341-1 But Hub does not Include Slinger Diameter Flanged end yoke.</i> |
| 1 | 1610 | 1.998-38 | 2.750 | 4.125 | EY 5-4-6321 |
| 1 | 1610 | 1.998-38 | 2.750 | 4.000 | EY 5-4-6321-1 |
| 1 | 1610 | 1.998-38 | 2.750 | 4.156 | EY 5-4-6481 |
| 1 | 1610 | 1.998-38 | 2.750 | 4.156 | EY 5-4-6481-1 |
| 1 | 1610 | 1.998-38 | 2.750 | 7.562 | EY 5-4-7601-1 <i>Flanged end yoke.</i> |
| 1 | 1710 | 1.998-38 | 2.750 | 5.250 | EY 6-4-7301 |
| 1 | 1710 | 1.998-38 | 2.750 | 5.250 | EY 6-4-7301-1 |

ES67-5

| | | | | | |
|---|-----------|----------|-------|-------|---|
| 1 | 1480/1550 | 1.998-38 | 2.750 | 3.875 | CF 4-1-6051X <i>Can be used w/brake; Assy includes four 8-73-226 studs</i> |
| 1 | 1610 | 1.998-38 | 2.750 | 4.688 | CF 5-1-6271 |
| 1 | SPL140 | 1.998-38 | 2.750 | 4.830 | EY 140-4-111-1 |
| 1 | SPL170 | 1.998-38 | 2.750 | 4.844 | EY 170-4-541-1 |
| 1 | SPL90 | 1.998-38 | 2.750 | 7.562 | EY 90-4-111-1 <i>Can be used w/brake; Flanged end yoke.</i> |
| 1 | SPL90 | 1.998-38 | 2.750 | 4.250 | EY 90-4-391-1 |
| 1 | SPL90 | 1.998-38 | 2.750 | 4.000 | EY 90-4-71-1 |
| 1 | 1550 | 1.998-38 | 2.750 | 4.035 | EY 4-4-4491-1 |
| 1 | 1550 | 1.998-38 | 2.750 | 7.031 | EY 4-4-6101-1 <i>Can be used w/brake; S/A 4-4-7341-1 But Hub does not Include Slinger Diameter Flanged end yoke.</i> |
| 1 | 1610 | 1.998-38 | 2.750 | 4.125 | EY 5-4-6321 <i>Can be used w/brake</i> |
| 1 | 1610 | 1.998-38 | 2.750 | 4.000 | EY 5-4-6321-1 <i>Can be used w/brake</i> |
| 1 | 1610 | 1.998-38 | 2.750 | 4.156 | EY 5-4-6481 <i>Can be used w/brake</i> |

| Pos | Series | Spline Data | Hub Dia | * to End of Hub | End Fitting Part Number |
|-----|--------|-------------|---------|-----------------|-------------------------|
|-----|--------|-------------|---------|-----------------|-------------------------|

ES67-5 (Continued)

| | | | | | |
|---|------|----------|-------|-------|---|
| 1 | 1610 | 1.998-38 | 2.750 | 4.156 | EY 5-4-6481-1 <i>Can be used w/brake</i> |
| 1 | 1610 | 1.998-38 | 2.750 | 7.562 | EY 5-4-7601-1 <i>Flanged end yoke.</i> |
| 1 | 1710 | 1.998-38 | 2.750 | 5.250 | EY 6-4-7301 <i>Can be used w/brake</i> |
| 1 | 1710 | 1.998-38 | 2.750 | 5.250 | EY 6-4-7301-1 <i>Can be used w/brake</i> |

ES70-5

| | | | | | |
|---|------|----------|-------|-------|---|
| 1 | 1550 | 2.000-10 | 2.750 | 3.625 | CF 4-1-3781 <i>Can be used w/brake</i> |
| 1 | 1610 | 2.000-10 | 2.750 | 3.625 | CF 5-1-3141 <i>Can be used w/brake</i> |
| 1 | 1710 | 2.000-10 | 2.750 | 3.688 | CF 6-1-2221 <i>Can be used w/brake</i> |
| 1 | 1610 | 2.000-10 | 2.750 | 5.188 | EY 5-4-1661 <i>Can be used w/brake</i> |
| 1 | 1610 | 2.000-10 | 2.750 | 5.469 | EY 5-4-1661-1 <i>Can be used w/brake</i> |
| 1 | 1610 | 1.962-10 | 2.750 | 5.281 | EY 5-4-7041-1 <i>Can be used w/brake</i> |
| 1 | 1710 | 1.962-10 | 2.750 | 5.156 | EY 6-4-3831 <i>Can be used w/brake</i> |
| 1 | 1710 | 1.962-10 | 2.750 | 5.156 | EY 6-4-3831-1 <i>Can be used w/brake</i> |

LPSO125-10

| | | | | | |
|---|--------|----------|-------|-------|-------------------|
| 1 | 1810 | 2.500-10 | 3.750 | 3.625 | CF 6.5-1-2271 |
| 1 | 1810 | 2.500-10 | 3.750 | 3.625 | CF 6.5-1-2351X |
| 1 | SPL250 | 2.500-10 | 3.750 | 6.250 | EY 250-4-561-1■ |
| 1 | 1710 | 2.500-10 | 3.750 | 5.625 | EY 6-4-6611■ |
| 1 | 1710 | 2.500-10 | 3.750 | 5.625 | EY 6-4-6611-1■ |
| 1 | 1710 | 2.500-10 | 3.750 | 5.625 | EY 6-4-6921-1X■ |
| 1 | 1710 | 2.500-10 | 3.750 | 5.625 | EY 6-4-6921X■ |
| 1 | 1760 | 2.500-10 | 3.750 | 6.000 | EY 6.3-4-651■ |
| 1 | 1760 | 2.500-10 | 3.750 | 6.031 | EY 6.3-4-651-1■ |
| 1 | 1760 | 2.500-10 | 3.750 | 6.031 | EY 6.3-4-781-1X■ |
| 1 | 1760 | 2.500-10 | 3.750 | 6.000 | EY 6.3-4-781X■ |
| 1 | 1810 | 2.500-10 | 3.750 | 5.875 | EY 6.5-4-3451■ |
| 1 | 1810 | 2.500-10 | 3.750 | 5.875 | EY 6.5-4-3451-1■ |
| 1 | 1810 | 2.500-10 | 3.750 | 5.875 | EY 6.5-4-3551-1X■ |
| 1 | 1810 | 2.500-10 | 3.750 | 5.875 | EY 6.5-4-3551X■ |

LPSO140-10

| | | | | | |
|---|------|----------|-------|-------|----------------|
| 1 | 1710 | 2.500-10 | 3.750 | 3.625 | CF 6-1-5541 |
| 1 | 1810 | 2.500-10 | 3.750 | 3.625 | CF 6.5-1-2271 |
| 1 | 1810 | 2.500-10 | 3.750 | 3.625 | CF 6.5-1-2351X |

*C/L to End of Hub for EY (End Yoke); Flange Face to End of Hub for CF (Companion Flange)

■ Hub machined for speedometer gear



| Pos | Series | Spline Data | Hub Dia | * to End of Hub | End Fitting Part Number |
|-------------------------------|--------|-------------|---------|-----------------|---|
| LPSO140-10 (Continued) | | | | | |
| 1 | SPL250 | 2.500-10 | 3.750 | 6.250 | EY 250-4-561-1■ |
| 1 | 1710 | 2.500-10 | 3.750 | 5.625 | EY 6-4-6611■ |
| 1 | 1710 | 2.500-10 | 3.750 | 5.625 | EY 6-4-6611-1■ |
| 1 | 1710 | 2.500-10 | 3.750 | 5.625 | EY 6-4-6921-1X■ |
| 1 | 1710 | 2.500-10 | 3.750 | 5.625 | EY 6-4-6921X■ |
| 1 | 1760 | 2.500-10 | 3.750 | 6.000 | EY 6.3-4-651■ |
| 1 | 1760 | 2.500-10 | 3.750 | 6.031 | EY 6.3-4-651-1■ |
| 1 | 1760 | 2.500-10 | 3.750 | 6.031 | EY 6.3-4-781-1X■ |
| 1 | 1760 | 2.500-10 | 3.750 | 6.000 | EY 6.3-4-781X■ |
| 1 | 1810 | 2.500-10 | 3.750 | 5.875 | EY 6.5-4-3451■ |
| 1 | 1810 | 2.500-10 | 3.750 | 5.875 | EY 6.5-4-3451-1■ |
| 1 | 1810 | 2.500-10 | 3.750 | 5.875 | EY 6.5-4-3551-1X■ |
| 1 | 1810 | 2.500-10 | 3.750 | 5.875 | EY 6.5-4-3551X■ |
| LPSO140-10S | | | | | |
| 1 | SPL170 | 2.500-10 | 3.750 | 5.750 | EY 170-4-481-1X■ |
| LPSO150-10 | | | | | |
| 1 | 1810 | 2.500-10 | 3.750 | 3.625 | CF 6.5-1-2271 |
| 1 | 1810 | 2.500-10 | 3.750 | 3.625 | CF 6.5-1-2351X |
| 1 | SPL250 | 2.500-10 | 3.750 | 6.250 | EY 250-4-561-1■ |
| 1 | 1710 | 2.500-10 | 3.750 | 5.625 | EY 6-4-6611■ |
| 1 | 1710 | 2.500-10 | 3.750 | 5.625 | EY 6-4-6611-1■ |
| 1 | 1710 | 2.500-10 | 3.750 | 5.625 | EY 6-4-6921-1X■ |
| 1 | 1710 | 2.500-10 | 3.750 | 5.625 | EY 6-4-6921X■ |
| 1 | 1760 | 2.500-10 | 3.750 | 6.000 | EY 6.3-4-651■ |
| 1 | 1760 | 2.500-10 | 3.750 | 6.031 | EY 6.3-4-651-1■ |
| 1 | 1760 | 2.500-10 | 3.750 | 6.031 | EY 6.3-4-781-1X■ |
| 1 | 1760 | 2.500-10 | 3.750 | 6.000 | EY 6.3-4-781X■ |
| 1 | 1810 | 2.500-10 | 3.750 | 5.875 | EY 6.5-4-3451■ |
| 1 | 1810 | 2.500-10 | 3.750 | 5.875 | EY 6.5-4-3451-1■ |
| 1 | 1810 | 2.500-10 | 3.750 | 5.875 | EY 6.5-4-3551-1X■ |
| 1 | 1810 | 2.500-10 | 3.750 | 5.875 | EY 6.5-4-3551X■ |
| LPSO150-10S | | | | | |
| 1 | SPL170 | 2.500-10 | 3.750 | 5.750 | EY 170-4-481-1X■ |
| LPS025-10 | | | | | |
| 1 | SPL170 | 2.500-10 | 3.750 | 5.750 | EY 170-4-471-1■ |
| LPS025-10S | | | | | |
| 1 | SPL170 | 2.500-10 | 3.750 | 5.750 | EY 170-4-481-1X■ |
| LPS140-10, LPS150-10 | | | | | |
| 1 | SPL170 | 2.500-10 | 3.750 | 5.750 | EY 170-4-471-1■ |
| PSDO-18A | | | | | |
| 1 | SPL250 | 2.794-54 | 3.750 | 6.330 | EY 250-4-901-1 |
| PSO100-10, PSO115-10 | | | | | |
| 1 | 1810 | 2.500-10 | 3.750 | 3.625 | CF 6.5-1-2271 |
| 1 | 1810 | 2.500-10 | 3.750 | 3.625 | CF 6.5-1-2351X |
| 1 | 1710 | 2.500-10 | 3.750 | 5.625 | EY 6-4-6611■ |
| 1 | 1710 | 2.500-10 | 3.750 | 5.625 | EY 6-4-6611-1■ |
| 1 | 1760 | 2.500-10 | 3.750 | 6.000 | EY 6.3-4-651■ |
| 1 | 1760 | 2.500-10 | 3.750 | 6.031 | EY 6.3-4-651-1■ |
| 1 | 1810 | 2.500-10 | 3.750 | 5.875 | EY 6.5-4-3451■ |
| 1 | 1810 | 2.500-10 | 3.750 | 5.875 | EY 6.5-4-3451-1■ |
| PSO120-8 | | | | | |
| 1 | SPL170 | 2.635-20 | 3.750 | 6.020 | EY 170-4-1111-1X■ <i>Grnd.hub Dia. 3.000, if used on Spicer 1241 Aux. Trans.</i> |
| 1 | SPL250 | 2.635-20 | 3.750 | 6.270 | EY 250-4-511-1■ <i>Grnd.hub Dia. 3.000, if used on Spicer 1241 Aux. Trans.</i> |
| 1 | SPL250 | 2.635-20 | 3.750 | 6.270 | EY 250-4-521-1X■ <i>Grnd.hub Dia. 3.000, if used on Spicer 1241 Aux. Trans.</i> |

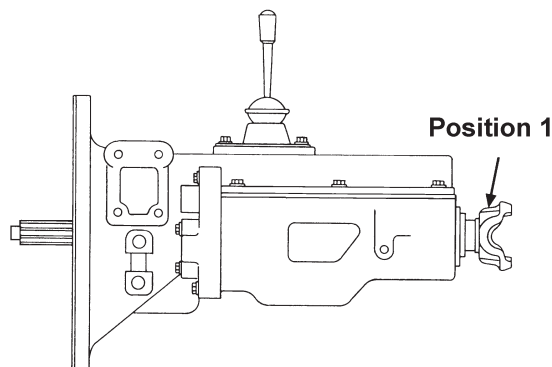
| Pos | Series | Spline Data | Hub Dia | * to End of Hub | End Fitting Part Number |
|---|--------|-------------|---------|-----------------|--|
| PSO120-8 (Continued) | | | | | |
| 1 | SPL90 | 2.635-20 | 3.750 | 6.020 | EY 170-4-1101-1■ <i>Grnd.hub Dia. 3.000, if used on Spicer 1241 Aux. Trans.</i> |
| 1 | 1610 | 2.635-20 | 3.750 | 5.062 | EY 5-4-6531-1■ |
| 1 | 1710 | 2.635-20 | 3.750 | 5.188 | EY 6-4-5351■ |
| 1 | 1710 | 2.635-20 | 3.750 | 5.188 | EY 6-4-5351-1■ |
| 1 | 1710 | 2.635-20 | 3.750 | 5.188 | EY 6-4-7071-1X■ |
| <i>Grnd.hub Dia. 3.000, if used on Spicer 1241 Aux. Trans.■</i> | | | | | |
| 1 | 1710 | 2.635-20 | 3.750 | 5.188 | EY 6-4-7071X■ |
| <i>Grnd.hub Dia. 3.000, if used on Spicer 1241 Aux. Trans.■</i> | | | | | |
| 1 | 1760 | 2.635-20 | 3.750 | 5.562 | EY 6.3-4-41■ |
| <i>Grnd.hub Dia. 3.000, if used on Spicer 1241 Aux. Trans.</i> | | | | | |
| 1 | 1760 | 2.635-20 | 3.750 | 5.562 | EY 6.3-4-41-1■ |
| <i>Grnd.hub Dia. 3.000, if used on Spicer 1241 Aux. Trans.</i> | | | | | |
| 1 | 1760 | 2.635-20 | 3.750 | 5.562 | EY 6.3-4-871-1X■ |
| <i>Grnd.hub Dia. 3.000, if used on Spicer 1241 Aux. Trans.</i> | | | | | |
| 1 | 1760 | 2.635-20 | 3.750 | 5.562 | EY 6.3-4-871-1X■ |
| <i>Grnd.hub Dia. 3.000, if used on Spicer 1241 Aux. Trans.</i> | | | | | |
| 1 | 1760 | 2.635-20 | 3.750 | 5.562 | EY 6.3-4-871X■ |
| <i>Grnd.hub Dia. 3.000, if used on Spicer 1241 Aux. Trans.</i> | | | | | |
| 1 | 1810 | 2.635-20 | 3.750 | 5.562 | EY 6.5-4-3021■ |
| <i>Grnd.hub Dia. 3.000, if used on Spicer 1241 Aux. Trans.</i> | | | | | |
| 1 | 1810 | 2.635-20 | 3.750 | 5.562 | EY 6.5-4-3021-1■ |
| <i>Grnd.hub Dia. 3.000, if used on Spicer 1241 Aux. Trans.</i> | | | | | |
| 1 | 1810 | 2.635-20 | 3.750 | 5.562 | EY 6.5-4-3541-1X■ |
| <i>Grnd.hub Dia. 3.000, if used on Spicer 1241 Aux. Trans.</i> | | | | | |
| 1 | 1810 | 2.635-20 | 3.750 | 5.562 | EY 6.5-4-3541X■ |
| <i>Grnd.hub Dia. 3.000, if used on Spicer 1241 Aux. Trans.</i> | | | | | |
| PSO120-8LL | | | | | |
| 1 | SPL250 | 2.635-20 | 3.750 | 6.270 | EY 250-4-511-1■ <i>Grnd.hub Dia. 3.000, if used on Spicer 1241 Aux. Trans.</i> |
| 1 | SPL250 | 2.635-20 | 3.750 | 6.270 | EY 250-4-521-1X■ <i>Grnd.hub Dia. 3.000, if used on Spicer 1241 Aux. Trans.</i> |
| 1 | SPL90 | 2.635-20 | 3.750 | 6.020 | EY 170-4-1101-1■ <i>Grnd.hub Dia. 3.000, if used on Spicer 1241 Aux. Trans.</i> |
| 1 | 1610 | 2.635-20 | 3.750 | 5.062 | EY 5-4-6531-1■ |
| 1 | 1710 | 2.635-20 | 3.750 | 5.188 | EY 6-4-5351■ |
| 1 | 1710 | 2.635-20 | 3.750 | 5.188 | EY 6-4-5351-1■ |
| 1 | 1710 | 2.635-20 | 3.750 | 5.188 | EY 6-4-7071-1X■ |
| <i>Grnd.hub Dia. 3.000, if used on Spicer 1241 Aux. Trans.■</i> | | | | | |
| 1 | 1710 | 2.635-20 | 3.750 | 5.188 | EY 6-4-7071X■ |
| <i>Grnd.hub Dia. 3.000, if used on Spicer 1241 Aux. Trans.■</i> | | | | | |
| 1 | 1760 | 2.635-20 | 3.750 | 5.562 | EY 6.3-4-41■ |
| <i>Grnd.hub Dia. 3.000, if used on Spicer 1241 Aux. Trans.</i> | | | | | |
| 1 | 1760 | 2.635-20 | 3.750 | 5.562 | EY 6.3-4-41-1■ |
| <i>Grnd.hub Dia. 3.000, if used on Spicer 1241 Aux. Trans.</i> | | | | | |
| 1 | 1760 | 2.635-20 | 3.750 | 5.562 | EY 6.3-4-871-1X■ |
| <i>Grnd.hub Dia. 3.000, if used on Spicer 1241 Aux. Trans.</i> | | | | | |
| 1 | 1760 | 2.635-20 | 3.750 | 5.562 | EY 6.3-4-871X■ |
| <i>Grnd.hub Dia. 3.000, if used on Spicer 1241 Aux. Trans.</i> | | | | | |
| 1 | 1810 | 2.635-20 | 3.750 | 5.562 | EY 6.5-4-3021■ |
| <i>Grnd.hub Dia. 3.000, if used on Spicer 1241 Aux. Trans.</i> | | | | | |
| 1 | 1810 | 2.635-20 | 3.750 | 5.562 | EY 6.5-4-3021-1■ |
| <i>Grnd.hub Dia. 3.000, if used on Spicer 1241 Aux. Trans.</i> | | | | | |
| 1 | 1810 | 2.635-20 | 3.750 | 5.562 | EY 6.5-4-3541-1X■ |
| <i>Grnd.hub Dia. 3.000, if used on Spicer 1241 Aux. Trans.</i> | | | | | |
| 1 | 1810 | 2.635-20 | 3.750 | 5.562 | EY 6.5-4-3541X■ |
| <i>Grnd.hub Dia. 3.000, if used on Spicer 1241 Aux. Trans.</i> | | | | | |
| PSO125-10 | | | | | |
| 1 | 1810 | 2.500-10 | 3.750 | 3.625 | CF 6.5-1-2271 |
| 1 | 1810 | 2.500-10 | 3.750 | 3.625 | CF 6.5-1-2351X |
| 1 | 1710 | 2.500-10 | 3.750 | 5.625 | EY 6-4-6611■ |
| 1 | 1710 | 2.500-10 | 3.750 | 5.625 | EY 6-4-6611-1■ |
| 1 | 1760 | 2.500-10 | 3.750 | 6.000 | EY 6.3-4-651■ |
| 1 | 1760 | 2.500-10 | 3.750 | 6.031 | EY 6.3-4-651-1■ |
| 1 | 1810 | 2.500-10 | 3.750 | 5.875 | EY 6.5-4-3451■ |
| 1 | 1810 | 2.500-10 | 3.750 | 5.875 | EY 6.5-4-3451-1■ |

*C/L to End of Hub for EY (End Yoke); Flange Face to End of Hub for CF (Companion Flange)

■ Hub machined for speedometer gear



Important: See Safety Information in General Information Section (J300P-GI)



| Pos | Series | Spline Data | Hub Dia | * to End of Hub | End Fitting Part Number |
|-----|--------|-------------|---------|-----------------|-------------------------|
|-----|--------|-------------|---------|-----------------|-------------------------|

PSO130-5, PSO130-6

| | | | | | |
|---|--------|----------|-------|-------|---|
| 1 | SPL170 | 2.635-20 | 3.750 | 6.020 | EY 170-4-1101-1■ <i>Grnd.hub Dia. 3.000, if used on Spicer 1241 Aux. Trans.</i> |
| 1 | SPL170 | 2.635-20 | 3.750 | 6.020 | EY 170-4-1111-1X■ <i>Grnd.hub Dia. 3.000, if used on Spicer 1241 Aux. Trans.</i> |
| 1 | SPL250 | 2.635-20 | 3.750 | 6.270 | EY 250-4-511-1■ <i>Grnd.hub Dia. 3.000, if used on Spicer 1241 Aux. Trans.</i> |
| 1 | SPL250 | 2.635-20 | 3.750 | 6.270 | EY 250-4-521-1X■ <i>Grnd.hub Dia. 3.000, if used on Spicer 1241 Aux. Trans.</i> |
| 1 | 1610 | 2.635-20 | 3.750 | 5.062 | EY 5-4-6531-1■ |
| 1 | 1710 | 2.635-20 | 3.750 | 5.188 | EY 6-4-5351■ |
| 1 | 1710 | 2.635-20 | 3.750 | 5.188 | EY 6-4-5351-1■ |
| 1 | 1710 | 2.635-20 | 3.750 | 5.188 | EY 6-4-7071-1X |
| | | | | | <i>Grnd.hub Dia. 3.000, if used on Spicer 1241 Aux. Trans.■</i> |
| 1 | 1710 | 2.635-20 | 3.750 | 5.188 | EY 6-4-7071X |
| | | | | | <i>Grnd.hub Dia. 3.000, if used on Spicer 1241 Aux. Trans.■</i> |
| 1 | 1760 | 2.635-20 | 3.750 | 5.562 | EY 6.3-4-41■ <i>Grnd.hub Dia. 3.000, if used on Spicer 1241 Aux. Trans.</i> |
| 1 | 1760 | 2.635-20 | 3.750 | 5.562 | EY 6.3-4-41-1■ <i>Grnd.hub Dia. 3.000, if used on Spicer 1241 Aux. Trans.</i> |
| 1 | 1760 | 2.635-20 | 3.750 | 5.562 | EY 6.3-4-871-1X■ <i>Grnd.hub Dia. 3.000, if used on Spicer 1241 Aux. Trans.</i> |
| 1 | 1760 | 2.635-20 | 3.750 | 5.562 | EY 6.3-4-871X■ <i>Grnd.hub Dia. 3.000, if used on Spicer 1241 Aux. Trans.</i> |
| 1 | 1810 | 2.635-20 | 3.750 | 5.562 | EY 6.5-4-3021■ <i>Grnd.hub Dia. 3.000, if used on Spicer 1241 Aux. Trans.</i> |
| 1 | 1810 | 2.635-20 | 3.750 | 5.562 | EY 6.5-4-3021-1■ <i>Grnd.hub Dia. 3.000, if used on Spicer 1241 Aux. Trans.</i> |
| 1 | 1810 | 2.635-20 | 3.750 | 5.562 | EY 6.5-4-3541-1X■ <i>Grnd.hub Dia. 3.000, if used on Spicer 1241 Aux. Trans.</i> |
| 1 | 1810 | 2.635-20 | 3.750 | 5.562 | EY 6.5-4-3541X■ <i>Grnd.hub Dia. 3.000, if used on Spicer 1241 Aux. Trans.</i> |

PSO140-10

| | | | | | |
|---|------|----------|-------|-------|------------------|
| 1 | 1810 | 2.500-10 | 3.750 | 3.625 | CF 6.5-1-2271 |
| 1 | 1810 | 2.500-10 | 3.750 | 3.625 | CF 6.5-1-2351X |
| 1 | 1710 | 2.500-10 | 3.750 | 5.625 | EY 6-4-6611-1■ |
| 1 | 1760 | 2.500-10 | 3.750 | 6.000 | EY 6.3-4-651■ |
| 1 | 1760 | 2.500-10 | 3.750 | 6.031 | EY 6.3-4-651-1■ |
| 1 | 1810 | 2.500-10 | 3.750 | 5.875 | EY 6.5-4-3451■ |
| 1 | 1810 | 2.500-10 | 3.750 | 5.875 | EY 6.5-4-3451-1■ |

PSO140-6

| | | | | | |
|---|--------|----------|-------|-------|---|
| 1 | SPL170 | 2.635-20 | 3.750 | 6.020 | EY 170-4-1101-1■ <i>Grnd.hub Dia. 3.000, if used on Spicer 1241 Aux. Trans.</i> |
| 1 | SPL170 | 2.635-20 | 3.750 | 6.020 | EY 170-4-1111-1X■ <i>Grnd.hub Dia. 3.000, if used on Spicer 1241 Aux. Trans.</i> |
| 1 | SPL250 | 2.635-20 | 3.750 | 6.270 | EY 250-4-511-1■ <i>Grnd.hub Dia. 3.000, if used on Spicer 1241 Aux. Trans.</i> |

| Pos | Series | Spline Data | Hub Dia | * to End of Hub | End Fitting Part Number |
|-----|--------|-------------|---------|-----------------|-------------------------|
|-----|--------|-------------|---------|-----------------|-------------------------|

PSO140-6 (Continued)

| | | | | | |
|---|--------|----------|-------|-------|---|
| 1 | SPL250 | 2.635-20 | 3.750 | 6.270 | EY 250-4-521-1X■ <i>Grnd.hub Dia. 3.000, if used on Spicer 1241 Aux. Trans.</i> |
| 1 | 1610 | 2.635-20 | 3.750 | 5.062 | EY 5-4-6531-1■ |
| 1 | 1710 | 2.635-20 | 3.750 | 5.188 | EY 6-4-5351■ |
| 1 | 1710 | 2.635-20 | 3.750 | 5.188 | EY 6-4-5351-1■ |
| 1 | 1710 | 2.635-20 | 3.750 | 5.188 | EY 6-4-7071-1X |
| | | | | | <i>Grnd.hub Dia. 3.000, if used on Spicer 1241 Aux. Trans.■</i> |
| 1 | 1710 | 2.635-20 | 3.750 | 5.188 | EY 6-4-7071X |
| | | | | | <i>Grnd.hub Dia. 3.000, if used on Spicer 1241 Aux. Trans.■</i> |
| 1 | 1760 | 2.635-20 | 3.750 | 5.562 | EY 6.3-4-41■ <i>Grnd.hub Dia. 3.000, if used on Spicer 1241 Aux. Trans.</i> |
| 1 | 1760 | 2.635-20 | 3.750 | 5.562 | EY 6.3-4-41-1■ <i>Grnd.hub Dia. 3.000, if used on Spicer 1241 Aux. Trans.</i> |
| 1 | 1760 | 2.635-20 | 3.750 | 5.562 | EY 6.3-4-871-1X■ <i>Grnd.hub Dia. 3.000, if used on Spicer 1241 Aux. Trans.</i> |
| 1 | 1760 | 2.635-20 | 3.750 | 5.562 | EY 6.3-4-871X■ <i>Grnd.hub Dia. 3.000, if used on Spicer 1241 Aux. Trans.</i> |
| 1 | 1810 | 2.635-20 | 3.750 | 5.562 | EY 6.5-4-3021■ <i>Grnd.hub Dia. 3.000, if used on Spicer 1241 Aux. Trans.</i> |
| 1 | 1810 | 2.635-20 | 3.750 | 5.562 | EY 6.5-4-3021-1■ <i>Grnd.hub Dia. 3.000, if used on Spicer 1241 Aux. Trans.</i> |
| 1 | 1810 | 2.635-20 | 3.750 | 5.562 | EY 6.5-4-3541-1X■ <i>Grnd.hub Dia. 3.000, if used on Spicer 1241 Aux. Trans.</i> |
| 1 | 1810 | 2.635-20 | 3.750 | 5.562 | EY 6.5-4-3541X■ <i>Grnd.hub Dia. 3.000, if used on Spicer 1241 Aux. Trans.</i> |

PSO140-9

| | | | | | |
|---|------|----------|-------|-------|-------------------|
| 1 | 1810 | 2.500-10 | 3.750 | 3.625 | CF 6.5-1-2271 |
| 1 | 1810 | 2.500-10 | 3.750 | 3.625 | CF 6.5-1-2351X |
| 1 | 1710 | 2.500-10 | 3.750 | 5.625 | EY 6-4-6921-1X■ |
| 1 | 1710 | 2.500-10 | 3.750 | 5.625 | EY 6-4-6921X■ |
| 1 | 1760 | 2.500-10 | 3.750 | 6.031 | EY 6.3-4-781-1X■ |
| 1 | 1760 | 2.500-10 | 3.750 | 6.000 | EY 6.3-4-781X■ |
| 1 | 1810 | 2.500-10 | 3.750 | 5.875 | EY 6.5-4-3551-1X■ |
| 1 | 1810 | 2.500-10 | 3.750 | 5.875 | EY 6.5-4-3551X■ |

PSO140-12

| | | | | | |
|---|--------|----------|-------|-------|---|
| 1 | SPL170 | 2.635-20 | 3.750 | 6.020 | EY 170-4-1101-1■ <i>Grnd.hub Dia. 3.000, if used on Spicer 1241 Aux. Trans.</i> |
| 1 | SPL170 | 2.635-20 | 3.750 | 6.020 | EY 170-4-1111-1X■ <i>Grnd.hub Dia. 3.000, if used on Spicer 1241 Aux. Trans.</i> |
| 1 | SPL250 | 2.635-20 | 3.750 | 6.270 | EY 250-4-511-1■ <i>Grnd.hub Dia. 3.000, if used on Spicer 1241 Aux. Trans.</i> |
| 1 | SPL250 | 2.635-20 | 3.750 | 6.270 | EY 250-4-521-1X■ <i>Grnd.hub Dia. 3.000, if used on Spicer 1241 Aux. Trans.</i> |
| 1 | 1610 | 2.635-20 | 3.750 | 5.062 | EY 5-4-6531-1■ |
| 1 | 1710 | 2.635-20 | 3.750 | 5.188 | EY 6-4-5351■ |
| 1 | 1710 | 2.635-20 | 3.750 | 5.188 | EY 6-4-5351-1■ |

*C/L to End of Hub for EY (End Yoke); Flange Face to End of Hub for CF (Companion Flange)

■ Hub machined for speedometer gear



| Pos | Series | Spline Data | Hub Dia | * to End of Hub | End Fitting Part Number |
|------------------------------|--------|-------------|---------|-----------------|--|
| PSO140-12 (Continued) | | | | | |
| 1 | 1710 | 2.635-20 | 3.750 | 5.188 | EY 6-4-7071-1X <i>Gmd.hub Dia. 3.000, if used on Spicer 1241 Aux. Trans. ■</i> |
| 1 | 1710 | 2.635-20 | 3.750 | 5.188 | EY 6-4-7071X <i>Gmd.hub Dia. 3.000, if used on Spicer 1241 Aux. Trans. ■</i> |
| 1 | 1760 | 2.635-20 | 3.750 | 5.562 | EY 6.3-4-41■ <i>Gmd.hub Dia. 3.000, if used on Spicer 1241 Aux. Trans.</i> |
| 1 | 1760 | 2.635-20 | 3.750 | 5.562 | EY 6.3-4-41-1■ <i>Gmd.hub Dia. 3.000, if used on Spicer 1241 Aux. Trans.</i> |
| 1 | 1760 | 2.635-20 | 3.750 | 5.562 | EY 6.3-4-871-1X■ <i>Gmd.hub Dia. 3.000, if used on Spicer 1241 Aux. Trans.</i> |
| 1 | 1760 | 2.635-20 | 3.750 | 5.562 | EY 6.3-4-871X■ <i>Gmd.hub Dia. 3.000, if used on Spicer 1241 Aux. Trans.</i> |
| 1 | 1810 | 2.635-20 | 3.750 | 5.562 | EY 6.5-4-3021■ <i>Gmd.hub Dia. 3.000, if used on Spicer 1241 Aux. Trans.</i> |
| 1 | 1810 | 2.635-20 | 3.750 | 5.562 | EY 6.5-4-3021-1■ <i>Gmd.hub Dia. 3.000, if used on Spicer 1241 Aux. Trans.</i> |
| 1 | 1810 | 2.635-20 | 3.750 | 5.562 | EY 6.5-4-3541-1X■ <i>Gmd.hub Dia. 3.000, if used on Spicer 1241 Aux. Trans.</i> |
| 1 | 1810 | 2.635-20 | 3.750 | 5.562 | EY 6.5-4-3541X■ <i>Gmd.hub Dia. 3.000, if used on Spicer 1241 Aux. Trans.</i> |

| | | | | | |
|------------------|------|----------|-------|-------|------------------|
| PSO150-10 | | | | | |
| 1 | 1810 | 2.500-10 | 3.750 | 3.625 | CF 6.5-1-2271 |
| 1 | 1810 | 2.500-10 | 3.750 | 3.625 | CF 6.5-1-2351X |
| 1 | 1710 | 2.500-10 | 3.750 | 5.625 | EY 6-4-6611■ |
| 1 | 1710 | 2.500-10 | 3.750 | 5.625 | EY 6-4-6611-1■ |
| 1 | 1760 | 2.500-10 | 3.750 | 6.000 | EY 6.3-4-651■ |
| 1 | 1760 | 2.500-10 | 3.750 | 6.031 | EY 6.3-4-651-1■ |
| 1 | 1810 | 2.500-10 | 3.750 | 5.875 | EY 6.5-4-3451■ |
| 1 | 1810 | 2.500-10 | 3.750 | 5.875 | EY 6.5-4-3451-1■ |

| | | | | | |
|---|--------|----------|-------|-------|--|
| PSO150-16 | | | | | |
| 1 | SPL170 | 2.635-20 | 3.750 | 6.020 | EY 170-4-1101-1■ <i>Gmd.hub Dia. 3.000, if used on Spicer 1241 Aux. Trans.</i> |
| 1 | SPL170 | 2.635-20 | 3.750 | 6.020 | EY 170-4-1111-1X■ <i>Gmd.hub Dia. 3.000, if used on Spicer 1241 Aux. Trans.</i> |
| 1 | SPL250 | 2.635-20 | 3.750 | 6.270 | EY 250-4-511-1■ <i>Gmd.hub Dia. 3.000, if used on Spicer 1241 Aux. Trans.</i> |
| 1 | SPL250 | 2.635-20 | 3.750 | 6.270 | EY 250-4-521-1X■ <i>Gmd.hub Dia. 3.000, if used on Spicer 1241 Aux. Trans.</i> |
| 1 | 1610 | 2.635-20 | 3.750 | 5.062 | EY 5-4-6531-1■ |
| 1 | 1710 | 2.635-20 | 3.750 | 5.188 | EY 6-4-5351■ |
| 1 | 1710 | 2.635-20 | 3.750 | 5.188 | EY 6-4-5351-1■ |
| 1 | 1710 | 2.635-20 | 3.750 | 5.188 | EY 6-4-7071-1X |
| <i>Gmd.hub Dia. 3.000, if used on Spicer 1241 Aux. Trans. ■</i> | | | | | |
| 1 | 1760 | 2.635-20 | 3.750 | 5.562 | EY 6.3-4-41■ <i>Gmd.hub Dia. 3.000, if used on Spicer 1241 Aux. Trans.</i> |
| 1 | 1760 | 2.635-20 | 3.750 | 5.562 | EY 6.3-4-41-1■ <i>Gmd.hub Dia. 3.000, if used on Spicer 1241 Aux. Trans.</i> |
| 1 | 1760 | 2.635-20 | 3.750 | 5.562 | EY 6.3-4-871-1X■ <i>Gmd.hub Dia. 3.000, if used on Spicer 1241 Aux. Trans.</i> |
| 1 | 1760 | 2.635-20 | 3.750 | 5.562 | EY 6.3-4-871X■ <i>Gmd.hub Dia. 3.000, if used on Spicer 1241 Aux. Trans.</i> |
| 1 | 1810 | 2.635-20 | 3.750 | 5.562 | EY 6.5-4-3021■ <i>Gmd.hub Dia. 3.000, if used on Spicer 1241 Aux. Trans.</i> |
| 1 | 1810 | 2.635-20 | 3.750 | 5.562 | EY 6.5-4-3021-1■ <i>Gmd.hub Dia. 3.000, if used on Spicer 1241 Aux. Trans.</i> |
| 1 | 1810 | 2.635-20 | 3.750 | 5.562 | EY 6.5-4-3541-1X■ <i>Gmd.hub Dia. 3.000, if used on Spicer 1241 Aux. Trans.</i> |
| 1 | 1810 | 2.635-20 | 3.750 | 5.562 | EY 6.5-4-3541X■ <i>Gmd.hub Dia. 3.000, if used on Spicer 1241 Aux. Trans.</i> |

| Pos | Series | Spline Data | Hub Dia | * to End of Hub | End Fitting Part Number |
|------------------|--------|-------------|---------|-----------------|--|
| PSO170-18 | | | | | |
| 1 | SPL170 | 2.635-20 | 3.750 | 6.020 | EY 170-4-1111-1X■ <i>Gmd.hub Dia. 3.000, if used on Spicer 1241 Aux. Trans.</i> |
| 1 | SPL250 | 2.635-20 | 3.750 | 6.270 | EY 250-4-521-1X■ <i>Gmd.hub Dia. 3.000, if used on Spicer 1241 Aux. Trans.</i> |
| 1 | 1710 | 2.635-20 | 3.750 | 5.188 | EY 6-4-7071-1X <i>Gmd.hub Dia. 3.000, if used on Spicer 1241 Aux. Trans. ■</i> |
| 1 | 1710 | 2.635-20 | 3.750 | 5.188 | EY 6-4-7071X <i>Gmd.hub Dia. 3.000, if used on Spicer 1241 Aux. Trans. ■</i> |
| 1 | 1760 | 2.635-20 | 3.750 | 5.562 | EY 6.3-4-871-1X■ <i>Gmd.hub Dia. 3.000, if used on Spicer 1241 Aux. Trans.</i> |
| 1 | 1760 | 2.635-20 | 3.750 | 5.562 | EY 6.3-4-871X■ <i>Gmd.hub Dia. 3.000, if used on Spicer 1241 Aux. Trans.</i> |
| 1 | 1810 | 2.635-20 | 3.750 | 5.562 | EY 6.5-4-3541-1X■ <i>Gmd.hub Dia. 3.000, if used on Spicer 1241 Aux. Trans.</i> |
| 1 | 1810 | 2.635-20 | 3.750 | 5.562 | EY 6.5-4-3541X■ <i>Gmd.hub Dia. 3.000, if used on Spicer 1241 Aux. Trans.</i> |

| | | | | | |
|------------------|--------|----------|-------|-------|---|
| PSO175-18 | | | | | |
| 1 | 1810 | 2.422-18 | 3.375 | 5.812 | CF 6.5-4-1991 |
| 1 | SPL250 | 2.635-20 | 3.750 | 6.270 | EY 250-4-511-1■ <i>Gmd.hub Dia. 3.000, if used on Spicer 1241 Aux. Trans.</i> |
| 1 | SPL90 | 2.635-20 | 3.750 | 6.020 | EY 170-4-1101-1■ <i>Gmd.hub Dia. 3.000, if used on Spicer 1241 Aux. Trans.</i> |
| 1 | 1610 | 2.635-20 | 3.750 | 5.062 | EY 5-4-6531-1■ |
| 1 | 1710 | 2.635-20 | 3.750 | 5.188 | EY 6-4-5351■ |
| 1 | 1710 | 2.635-20 | 3.750 | 5.188 | EY 6-4-5351-1■ |
| 1 | 1760 | 2.635-20 | 3.750 | 5.562 | EY 6.3-4-41■ <i>Gmd.hub Dia. 3.000, if used on Spicer 1241 Aux. Trans.</i> |
| 1 | 1760 | 2.635-20 | 3.750 | 5.562 | EY 6.3-4-41-1■ <i>Gmd.hub Dia. 3.000, if used on Spicer 1241 Aux. Trans.</i> |
| 1 | 1810 | 2.635-20 | 3.750 | 5.562 | EY 6.5-4-3021■ <i>Gmd.hub Dia. 3.000, if used on Spicer 1241 Aux. Trans.</i> |
| 1 | 1810 | 2.635-20 | 3.750 | 5.562 | EY 6.5-4-3021-1■ <i>Gmd.hub Dia. 3.000, if used on Spicer 1241 Aux. Trans.</i> |

| | | | | | |
|----------------|------|----------|-------|-------|------------------|
| PS86-10 | | | | | |
| 1 | 1810 | 2.500-10 | 3.750 | 3.625 | CF 6.5-1-2271 |
| 1 | 1810 | 2.500-10 | 3.750 | 3.625 | CF 6.5-1-2351X |
| 1 | 1710 | 2.500-10 | 3.750 | 5.625 | EY 6-4-6611■ |
| 1 | 1710 | 2.500-10 | 3.750 | 5.625 | EY 6-4-6611-1■ |
| 1 | 1760 | 2.500-10 | 3.750 | 6.000 | EY 6.3-4-651■ |
| 1 | 1760 | 2.500-10 | 3.750 | 6.031 | EY 6.3-4-651-1■ |
| 1 | 1810 | 2.500-10 | 3.750 | 5.875 | EY 6.5-4-3451■ |
| 1 | 1810 | 2.500-10 | 3.750 | 5.875 | EY 6.5-4-3451-1■ |

| | | | | | |
|---------------|--------|----------|-------|-------|-----------------|
| PS97-7 | | | | | |
| 1 | SPL140 | 2.544-49 | 4.000 | 6.060 | EY 140-4-881-1 |
| 1 | SPL170 | 2.544-49 | 4.000 | 6.050 | EY 170-4-1161-1 |
| 1 | SPL90 | 2.250-10 | 3.500 | 5.219 | EY 90-4-151-1X |
| 1 | 1610 | 2.547-49 | 4.000 | 5.500 | EY 5-4-7951-1 |
| 1 | 1710 | 2.544-49 | 4.000 | 5.188 | EY 6-4-7691■ |
| 1 | 1710 | 2.544-49 | 4.000 | 5.188 | EY 6-4-7691-1■ |
| 1 | 1760 | 2.544-49 | 4.000 | 5.562 | EY 6.3-4-1251 |
| 1 | 1760 | 2.544-49 | 4.000 | 5.562 | EY 6.3-4-1251-1 |
| 1 | 1810 | 2.544-49 | 4.000 | 5.562 | EY 6.5-4-3821-1 |

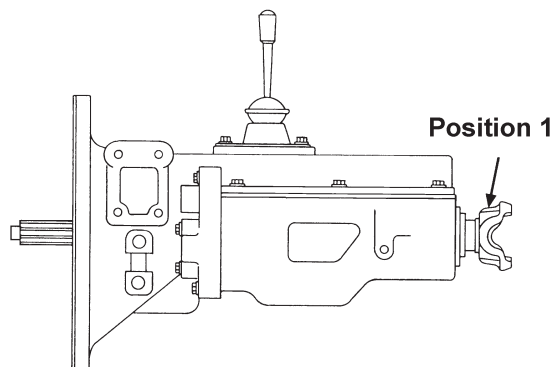
| | | | | | |
|----------------|------|----------|-------|-------|-----------------|
| PS97-7A | | | | | |
| 1 | 1760 | 2.544-49 | 4.000 | 5.562 | EY 6.3-4-1251 |
| 1 | 1760 | 2.544-49 | 4.000 | 5.562 | EY 6.3-4-1251-1 |

*C/L to End of Hub for EY (End Yoke); Flange Face to End of Hub for CF (Companion Flange)

■ Hub machined for speedometer gear



Important: See Safety Information in General Information Section (J300P-GI)



| Pos | Series | Spline Data | Hub Dia | * to End of Hub | End Fitting Part Number |
|-----------------|--------|-------------|---------|-----------------|-------------------------|
| PS100-10 | | | | | |
| 1 | 1810 | 2.500-10 | 3.750 | 3.625 | CF 6.5-1-2271 |
| 1 | 1810 | 2.500-10 | 3.750 | 3.625 | CF 6.5-1-2351X |
| 1 | 1710 | 2.500-10 | 3.750 | 5.625 | EY 6-4-6611■ |
| 1 | 1710 | 2.500-10 | 3.750 | 5.625 | EY 6-4-6611-1■ |
| 1 | 1760 | 2.500-10 | 3.750 | 6.000 | EY 6.3-4-651■ |
| 1 | 1760 | 2.500-10 | 3.750 | 6.031 | EY 6.3-4-651-1■ |
| 1 | 1810 | 2.500-10 | 3.750 | 5.875 | EY 6.5-4-3451■ |
| 1 | 1810 | 2.500-10 | 3.750 | 5.875 | EY 6.5-4-3451-1■ |
| PS105-7 | | | | | |
| 1 | SPL90 | 2.250-10 | 3.500 | 5.219 | EY 90-4-151-1X |
| 1 | 1610 | 2.547-49 | 4.000 | 5.500 | EY 5-4-7951-1 |
| 1 | 1710 | 2.544-49 | 4.000 | 5.188 | EY 6-4-7691■ |
| 1 | 1710 | 2.544-49 | 4.000 | 5.188 | EY 6-4-7691-1■ |
| 1 | 1760 | 2.544-49 | 4.000 | 5.562 | EY 6.3-4-1251 |
| 1 | 1760 | 2.544-49 | 4.000 | 5.562 | EY 6.3-4-1251-1 |
| 1 | 1810 | 2.544-49 | 4.000 | 5.562 | EY 6.5-4-3821-1 |
| PS110-7 | | | | | |
| 1 | SPL140 | 2.544-49 | 4.000 | 6.060 | EY 140-4-881-1 |
| 1 | SPL170 | 2.544-49 | 4.000 | 6.050 | EY 170-4-1161-1 |
| 1 | 1610 | 2.547-49 | 4.000 | 5.500 | EY 5-4-7951-1 |
| 1 | 1710 | 2.544-49 | 4.000 | 5.188 | EY 6-4-7691■ |
| 1 | 1710 | 2.544-49 | 4.000 | 5.188 | EY 6-4-7691-1■ |
| 1 | 1760 | 2.544-49 | 4.000 | 5.562 | EY 6.3-4-1251 |
| 1 | 1760 | 2.544-49 | 4.000 | 5.562 | EY 6.3-4-1251-1 |
| 1 | 1810 | 2.544-49 | 4.000 | 5.562 | EY 6.5-4-3821-1 |
| PS125-10 | | | | | |
| 1 | 1710 | 2.500-10 | 3.750 | 3.625 | CF 6-1-5541 |
| 1 | 1810 | 2.500-10 | 3.750 | 3.625 | CF 6.5-1-2271 |
| 1 | 1810 | 2.500-10 | 3.750 | 3.625 | CF 6.5-1-2351X |
| 1 | SPL170 | 2.500-10 | 3.750 | 5.750 | EY 170-4-471-1■ |
| 1 | SPL250 | 2.500-10 | 3.750 | 6.250 | EY 250-4-561-1■ |
| 1 | 1710 | 2.500-10 | 3.750 | 5.625 | EY 6-4-6611■ |
| 1 | 1710 | 2.500-10 | 3.750 | 5.625 | EY 6-4-6611-1■ |
| 1 | 1710 | 2.500-10 | 3.750 | 5.625 | EY 6-4-6921-1X■ |
| 1 | 1710 | 2.500-10 | 3.750 | 5.625 | EY 6-4-6921X■ |
| 1 | 1760 | 2.500-10 | 3.750 | 6.000 | EY 6.3-4-651■ |
| 1 | 1760 | 2.500-10 | 3.750 | 6.031 | EY 6.3-4-651-1■ |
| 1 | 1760 | 2.500-10 | 3.750 | 6.031 | EY 6.3-4-781-1X■ |
| 1 | 1760 | 2.500-10 | 3.750 | 6.000 | EY 6.3-4-781X■ |
| 1 | 1810 | 2.500-10 | 3.750 | 5.875 | EY 6.5-4-3451■ |
| 1 | 1810 | 2.500-10 | 3.750 | 5.875 | EY 6.5-4-3451-1■ |
| 1 | 1810 | 2.500-10 | 3.750 | 5.875 | EY 6.5-4-3551-1X■ |
| 1 | 1810 | 2.500-10 | 3.750 | 5.875 | EY 6.5-4-3551X■ |

| Pos | Series | Spline Data | Hub Dia | * to End of Hub | End Fitting Part Number |
|-------------------------|--------|-------------|---------|-----------------|-------------------------|
| PS125-10A | | | | | |
| 1 | SPL170 | 2.500-10 | 3.750 | 5.750 | EY 170-4-481-1X■ |
| PS125-7 | | | | | |
| 1 | SPL140 | 2.544-49 | 4.000 | 6.060 | EY 140-4-881-1 |
| 1 | SPL170 | 2.544-49 | 4.000 | 6.050 | EY 170-4-1161-1 |
| 1 | SPL90 | 2.250-10 | 3.500 | 5.219 | EY 90-4-151-1X |
| 1 | 1610 | 2.547-49 | 4.000 | 5.500 | EY 5-4-7951-1 |
| 1 | 1710 | 2.544-49 | 4.000 | 5.188 | EY 6-4-7691-1■ |
| 1 | 1760 | 2.544-49 | 4.000 | 5.562 | EY 6.3-4-1251 |
| 1 | 1760 | 2.544-49 | 4.000 | 5.562 | EY 6.3-4-1251-1 |
| 1 | 1810 | 2.544-49 | 4.000 | 5.562 | EY 6.5-4-3821-1 |
| PS125-7B | | | | | |
| 1 | 1760 | 2.544-49 | 4.000 | 5.562 | EY 6.3-4-1251 |
| 1 | 1760 | 2.544-49 | 4.000 | 5.562 | EY 6.3-4-1251-1 |
| PS125-9 | | | | | |
| 1 | 1710 | 2.500-10 | 3.750 | 3.625 | CF 6-1-5541 |
| 1 | 1810 | 2.500-10 | 3.750 | 3.625 | CF 6.5-1-2271 |
| 1 | 1810 | 2.500-10 | 3.750 | 3.625 | CF 6.5-1-2351X |
| 1 | SPL170 | 2.500-10 | 3.750 | 5.750 | EY 170-4-471-1■ |
| 1 | SPL250 | 2.500-10 | 3.750 | 6.250 | EY 250-4-561-1■ |
| 1 | 1710 | 2.500-10 | 3.750 | 5.625 | EY 6-4-6611■ |
| 1 | 1710 | 2.500-10 | 3.750 | 5.625 | EY 6-4-6611-1■ |
| 1 | 1710 | 2.500-10 | 3.750 | 5.625 | EY 6-4-6921-1X■ |
| 1 | 1710 | 2.500-10 | 3.750 | 5.625 | EY 6-4-6921X■ |
| 1 | 1760 | 2.500-10 | 3.750 | 6.000 | EY 6.3-4-651■ |
| 1 | 1760 | 2.500-10 | 3.750 | 6.031 | EY 6.3-4-651-1■ |
| 1 | 1760 | 2.500-10 | 3.750 | 6.031 | EY 6.3-4-781-1X■ |
| 1 | 1760 | 2.500-10 | 3.750 | 6.000 | EY 6.3-4-781X■ |
| 1 | 1810 | 2.500-10 | 3.750 | 5.875 | EY 6.5-4-3451■ |
| 1 | 1810 | 2.500-10 | 3.750 | 5.875 | EY 6.5-4-3451-1■ |
| 1 | 1810 | 2.500-10 | 3.750 | 5.875 | EY 6.5-4-3551-1X■ |
| 1 | 1810 | 2.500-10 | 3.750 | 5.875 | EY 6.5-4-3551X■ |
| PS125-9A | | | | | |
| 1 | SPL170 | 2.500-10 | 3.750 | 5.750 | EY 170-4-481-1X■ |
| PS130-5, PS130-6 | | | | | |
| 1 | 1610 | 2.635-20 | 3.750 | 5.062 | EY 5-4-6531-1■ |
| 1 | 1710 | 2.635-20 | 3.750 | 5.188 | EY 6-4-5351■ |
| 1 | 1710 | 2.635-20 | 3.750 | 5.188 | EY 6-4-5351-1■ |
| 1 | 1710 | 2.635-20 | 3.750 | 5.188 | EY 6-4-7071-1X |
| 1 | 1710 | 2.635-20 | 3.750 | 5.188 | EY 6-4-7071X |
| 1 | 1760 | 2.635-20 | 3.750 | 5.562 | EY 6.3-4-41■ |

*C/L to End of Hub for EY (End Yoke); Flange Face to End of Hub for CF (Companion Flange)

■ Hub machined for speedometer gear



| Pos | Series | Spline Data | Hub Dia | * to End of Hub | End Fitting Part Number |
|-------------------------------------|--------|-------------|---------|-----------------|--|
| PS130-5, PS130-6 (Continued) | | | | | |
| 1 | 1760 | 2.635-20 | 3.750 | 5.562 | EY 6.3-4-41-1■ <i>Grnd.hub Dia. 3.000, if used on Spicer 1241 Aux. Trans.</i> |
| 1 | 1760 | 2.635-20 | 3.750 | 5.562 | EY 6.3-4-871-1X■ <i>Grnd.hub Dia. 3.000, if used on Spicer 1241 Aux. Trans.</i> |
| 1 | 1760 | 2.635-20 | 3.750 | 5.562 | EY 6.3-4-871X■ <i>Grnd.hub Dia. 3.000, if used on Spicer 1241 Aux. Trans.</i> |
| 1 | 1810 | 2.635-20 | 3.750 | 5.562 | EY 6.5-4-3541-1X■ <i>Grnd.hub Dia. 3.000, if used on Spicer 1241 Aux. Trans.</i> |
| 1 | 1810 | 2.635-20 | 3.750 | 5.562 | EY 6.5-4-3541X <i>Hub machined for speedometer gear Grnd.hub Dia. 3.000, if used on Spicer 1241 Aux. Trans.</i> |

| Pos | Series | Spline Data | Hub Dia | * to End of Hub | End Fitting Part Number |
|----------------|--------|-------------|---------|-----------------|-------------------------|
| PS140-7 | | | | | |
| 1 | SPL140 | 2.544-49 | 4.000 | 6.060 | EY 140-4-881-1 |
| 1 | SPL170 | 2.544-49 | 4.000 | 6.050 | EY 170-4-1161-1 |
| 1 | 1610 | 2.547-49 | 4.000 | 5.500 | EY 5-4-7951-1 |
| 1 | 1710 | 2.544-49 | 4.000 | 5.188 | EY 6-4-7691■ |
| 1 | 1710 | 2.544-49 | 4.000 | 5.188 | EY 6-4-7691-1■ |
| 1 | 1760 | 2.544-49 | 4.000 | 5.562 | EY 6.3-4-1251 |
| 1 | 1760 | 2.544-49 | 4.000 | 5.562 | EY 6.3-4-1251-1 |
| 1 | 1810 | 2.544-49 | 4.000 | 5.562 | EY 6.5-4-3821-1 |

| Pos | Series | Spline Data | Hub Dia | * to End of Hub | End Fitting Part Number |
|-----------------|--------|-------------|---------|-----------------|-------------------------|
| PS140-7A | | | | | |
| 1 | 1760 | 2.544-49 | 4.000 | 5.562 | EY 6.3-4-1251 |
| 1 | 1760 | 2.544-49 | 4.000 | 5.562 | EY 6.3-4-1251-1 |

| Pos | Series | Spline Data | Hub Dia | * to End of Hub | End Fitting Part Number |
|----------------|--------|-------------|---------|-----------------|-------------------------|
| PS140-9 | | | | | |
| 1 | 1810 | 2.500-10 | 3.750 | 3.625 | CF 6.5-1-2271 |
| 1 | 1810 | 2.500-10 | 3.750 | 3.625 | CF 6.5-1-2351X |
| 1 | SPL170 | 2.500-10 | 3.750 | 5.750 | EY 170-4-471-1■ |
| 1 | SPL250 | 2.500-10 | 3.750 | 6.250 | EY 250-4-561-1■ |
| 1 | 1710 | 2.500-10 | 3.750 | 5.625 | EY 6-4-6611■ |
| 1 | 1710 | 2.500-10 | 3.750 | 5.625 | EY 6-4-6611-1■ |
| 1 | 1710 | 2.500-10 | 3.750 | 5.625 | EY 6-4-6921-1X■ |
| 1 | 1710 | 2.500-10 | 3.750 | 5.625 | EY 6-4-6921X■ |
| 1 | 1760 | 2.500-10 | 3.750 | 6.000 | EY 6.3-4-651■ |
| 1 | 1760 | 2.500-10 | 3.750 | 6.031 | EY 6.3-4-651-1■ |
| 1 | 1760 | 2.500-10 | 3.750 | 6.031 | EY 6.3-4-781-1X■ |
| 1 | 1760 | 2.500-10 | 3.750 | 6.000 | EY 6.3-4-781X■ |
| 1 | 1810 | 2.500-10 | 3.750 | 5.875 | EY 6.5-4-3451■ |
| 1 | 1810 | 2.500-10 | 3.750 | 5.875 | EY 6.5-4-3451-1■ |
| 1 | 1810 | 2.500-10 | 3.750 | 5.875 | EY 6.5-4-3551-1X■ |
| 1 | 1810 | 2.500-10 | 3.750 | 5.875 | EY 6.5-4-3551X■ |

| Pos | Series | Spline Data | Hub Dia | * to End of Hub | End Fitting Part Number |
|-----------------|--------|-------------|---------|-----------------|-------------------------|
| PS140-9A | | | | | |
| 1 | SPL170 | 2.500-10 | 3.750 | 5.750 | EY 170-4-481-1X■ |

| Pos | Series | Spline Data | Hub Dia | * to End of Hub | End Fitting Part Number |
|-----------------|--------|-------------|---------|-----------------|-------------------------|
| PS140-10 | | | | | |
| 1 | 1810 | 2.500-10 | 3.750 | 3.625 | CF 6.5-1-2271 |
| 1 | 1810 | 2.500-10 | 3.750 | 3.625 | CF 6.5-1-2351X |
| 1 | SPL170 | 2.500-10 | 3.750 | 5.750 | EY 170-4-471-1■ |
| 1 | SPL250 | 2.500-10 | 3.750 | 6.250 | EY 250-4-561-1■ |
| 1 | 1710 | 2.500-10 | 3.750 | 5.625 | EY 6-4-6611■ |
| 1 | 1710 | 2.500-10 | 3.750 | 5.625 | EY 6-4-6611-1■ |
| 1 | 1710 | 2.500-10 | 3.750 | 5.625 | EY 6-4-6921-1X■ |
| 1 | 1710 | 2.500-10 | 3.750 | 5.625 | EY 6-4-6921X■ |
| 1 | 1760 | 2.500-10 | 3.750 | 6.000 | EY 6.3-4-651■ |
| 1 | 1760 | 2.500-10 | 3.750 | 6.031 | EY 6.3-4-781-1X■ |
| 1 | 1760 | 2.500-10 | 3.750 | 6.000 | EY 6.3-4-781X■ |
| 1 | 1810 | 2.500-10 | 3.750 | 5.875 | EY 6.5-4-3451■ |
| 1 | 1810 | 2.500-10 | 3.750 | 5.875 | EY 6.5-4-3551-1X■ |
| 1 | 1810 | 2.500-10 | 3.750 | 5.875 | EY 6.5-4-3551X■ |

| Pos | Series | Spline Data | Hub Dia | * to End of Hub | End Fitting Part Number |
|----------------|--------|-------------|---------|-----------------|-------------------------|
| PS145-7 | | | | | |
| 1 | SPL140 | 2.544-49 | 4.000 | 6.060 | EY 140-4-881-1 |
| 1 | SPL170 | 2.544-49 | 4.000 | 6.050 | EY 170-4-1161-1 |
| 1 | 1610 | 2.547-49 | 4.000 | 5.500 | EY 5-4-7951-1 |
| 1 | 1710 | 2.544-49 | 4.000 | 5.188 | EY 6-4-7691■ |
| 1 | 1710 | 2.544-49 | 4.000 | 5.188 | EY 6-4-7691-1■ |
| 1 | 1760 | 2.544-49 | 4.000 | 5.562 | EY 6.3-4-1251 |
| 1 | 1760 | 2.544-49 | 4.000 | 5.562 | EY 6.3-4-1251-1 |
| 1 | 1810 | 2.544-49 | 4.000 | 5.562 | EY 6.5-4-3821-1 |

| Pos | Series | Spline Data | Hub Dia | * to End of Hub | End Fitting Part Number |
|-----------------------------------|-----------|-------------|---------|-----------------|-------------------------|
| P8516, P8716, R8516, R8716 | | | | | |
| 1 | 1610 | 2.225-6 | 3.000 | 3.875 | CF 5-1-2541 |
| 1 | 1650/1710 | 2.225-6 | 3.000 | 4.469 | CF 6-1-1481 |
| 1 | 1650/1710 | 2.225-6 | 3.000 | 3.750 | CF 6-1-1731 |
| 1 | 1810 | 2.225-6 | 3.000 | 3.750 | CF 6.5-1-481 |
| 1 | 1710 | 2.225-6 | 3.000 | 5.438 | EY 6-4-3041-1X |
| 1 | 1710 | 2.225-6 | 3.000 | 5.312 | EY 6-4-3041X |

| Pos | Series | Spline Data | Hub Dia | * to End of Hub | End Fitting Part Number |
|-------------|--------|-------------|---------|-----------------|-------------------------|
| S110 | | | | | |
| 1 | SPL55 | 2.024-39 | 3.000 | 3.875 | EY 5003328 |

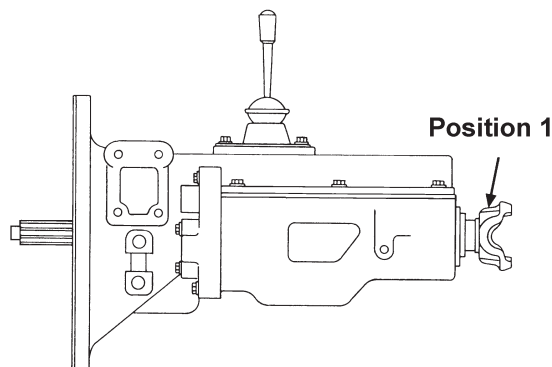
| Pos | Series | Spline Data | Hub Dia | * to End of Hub | End Fitting Part Number |
|---------------------|--------|-------------|---------|-----------------|--|
| 1006, 1006-A | | | | | |
| 1 | 1610 | 2.635-20 | 3.750 | 5.062 | EY 5-4-6531-1■ |
| 1 | 1710 | 2.635-20 | 3.750 | 5.188 | EY 6-4-7071-1X |
| 1 | 1710 | 2.635-20 | 3.750 | 5.188 | EY 6-4-7071X |
| 1 | 1760 | 2.635-20 | 3.750 | 5.562 | EY 6.3-4-41■ <i>Grnd.hub Dia. 3.000, if used on Spicer 1241 Aux. Trans.</i> |
| 1 | 1760 | 2.635-20 | 3.750 | 5.562 | EY 6.3-4-41-1■ <i>Grnd.hub Dia. 3.000, if used on Spicer 1241 Aux. Trans.</i> |
| 1 | 1760 | 2.635-20 | 3.750 | 5.562 | EY 6.3-4-871-1X■ <i>Grnd.hub Dia. 3.000, if used on Spicer 1241 Aux. Trans.</i> |
| 1 | 1760 | 2.635-20 | 3.750 | 5.562 | EY 6.3-4-871X■ <i>Hub machined for speedometer gear Grnd.hub Dia. 3.000, if used on Spicer 1241 Aux. Trans.</i> |
| 1 | 1810 | 2.635-20 | 3.750 | 5.562 | EY 6.5-4-2011■ |
| 1 | 1810 | 2.635-20 | 3.750 | 5.562 | EY 6.5-4-3021■ <i>Grnd.hub Dia. 3.000, if used on Spicer 1241 Aux. Trans.</i> |
| 1 | 1810 | 2.635-20 | 3.750 | 5.562 | EY 6.5-4-3021-1■ <i>Grnd.hub Dia. 3.000, if used on Spicer 1241 Aux. Trans.</i> |
| 1 | 1810 | 2.635-20 | 3.750 | 5.562 | EY 6.5-4-3541-1X■ <i>Grnd.hub Dia. 3.000, if used on Spicer 1241 Aux. Trans.</i> |
| 1 | 1810 | 2.635-20 | 3.750 | 5.562 | EY 6.5-4-3541X■ <i>Grnd.hub Dia. 3.000, if used on Spicer 1241 Aux. Trans.</i> |

| Pos | Series | Spline Data | Hub Dia | * to End of Hub | End Fitting Part Number |
|--|--------|-------------|---------|-----------------|--|
| 1007, 1007-2A, 1007-2B, 1007-2C, 1007-2D, 1007-3A | | | | | |
| 1 | 1610 | 2.635-20 | 3.750 | 5.062 | EY 5-4-6531-1■ |
| 1 | 1710 | 2.635-20 | 3.750 | 5.188 | EY 6-4-5351■ |
| 1 | 1710 | 2.635-20 | 3.750 | 5.188 | EY 6-4-7071-1X |
| 1 | 1710 | 2.635-20 | 3.750 | 5.188 | EY 6-4-7071X |
| 1 | 1760 | 2.635-20 | 3.750 | 5.562 | EY 6.3-4-41■ <i>Grnd.hub Dia. 3.000, if used on Spicer 1241 Aux. Trans.</i> |
| 1 | 1760 | 2.635-20 | 3.750 | 5.562 | EY 6.3-4-41-1■ <i>Grnd.hub Dia. 3.000, if used on Spicer 1241 Aux. Trans.</i> |
| 1 | 1760 | 2.635-20 | 3.750 | 5.562 | EY 6.3-4-871-1X■ <i>Grnd.hub Dia. 3.000, if used on Spicer 1241 Aux. Trans.</i> |
| 1 | 1760 | 2.635-20 | 3.750 | 5.562 | EY 6.3-4-871X■ <i>Grnd.hub Dia. 3.000, if used on Spicer 1241 Aux. Trans.</i> |
| 1 | 1810 | 2.635-20 | 3.750 | 5.562 | EY 6.5-4-2011■ |
| 1 | 1810 | 2.635-20 | 3.750 | 5.562 | EY 6.5-4-3021■ <i>Grnd.hub Dia. 3.000, if used on Spicer 1241 Aux. Trans.</i> |

Continued on next page

*C/L to End of Hub for EY (End Yoke); Flange Face to End of Hub for CF (Companion Flange)
 ■ Hub machined for speedometer gear





| Pos | Series | Spline Data | Hub Dia | * to End of Hub | End Fitting Part Number |
|-----|--------|-------------|---------|-----------------|-------------------------|
|-----|--------|-------------|---------|-----------------|-------------------------|

1007, 1007-2A, 1007-2B, 1007-2C, 1007-2D, 1007-3A (Continued)

| | | | | | |
|---|------|----------|-------|-------|---|
| 1 | 1810 | 2.635-20 | 3.750 | 5.562 | EY 6.5-4-3021-1■ <i>Grnd.hub Dia. 3.000, if used on Spicer 1241 Aux. Trans.</i> |
| 1 | 1810 | 2.635-20 | 3.750 | 5.562 | EY 6.5-4-3541-1X■ <i>Grnd.hub Dia. 3.000, if used on Spicer 1241 Aux. Trans.</i> |
| 1 | 1810 | 2.635-20 | 3.750 | 5.562 | EY 6.5-4-3541X■ <i>Grnd.hub Dia. 3.000, if used on Spicer 1241 Aux. Trans.</i> |

1010-2A, 1010-3A, 1010-3B, 1010-4A, 1010-5A

| | | | | | |
|---|-----------|----------|-------|-------|--|
| 1 | 1650/1710 | 2.351-16 | 3.750 | 3.000 | CF 6-1-4571 <i>Hub machined for speedometer gear and no.3 woodruff keyway</i> |
| 1 | 1710 | 2.351-16 | 3.750 | 5.188 | EY 6-4-4531■ |
| 1 | 1710 | 2.350-16 | 3.750 | 5.188 | EY 6-4-5341■ |
| 1 | 1810 | 2.350-16 | 3.750 | 5.562 | EY 6.5-4-3011■ |

1020, 1020-2A, 1020-3A, 1020-4A, 1020-5A

| | | | | | |
|---|------|----------|-------|-------|---|
| 1 | 1610 | 2.635-20 | 3.750 | 5.062 | EY 5-4-6531-1■ |
| 1 | 1710 | 2.635-20 | 3.750 | 5.188 | EY 6-4-7071-1X■ <i>Grnd.hub Dia. 3.000, if used on Spicer 1241 Aux. Trans.■</i> |
| 1 | 1710 | 2.635-20 | 3.750 | 5.188 | EY 6-4-7071X■ <i>Grnd.hub Dia. 3.000, if used on Spicer 1241 Aux. Trans.■</i> |
| 1 | 1760 | 2.635-20 | 3.750 | 5.562 | EY 6.3-4-41■ <i>Grnd.hub Dia. 3.000, if used on Spicer 1241 Aux. Trans.</i> |
| 1 | 1760 | 2.635-20 | 3.750 | 5.562 | EY 6.3-4-41-1■ <i>Grnd.hub Dia. 3.000, if used on Spicer 1241 Aux. Trans.</i> |
| 1 | 1760 | 2.635-20 | 3.750 | 5.562 | EY 6.3-4-871-1X■ <i>Grnd.hub Dia. 3.000, if used on Spicer 1241 Aux. Trans.</i> |
| 1 | 1760 | 2.635-20 | 3.750 | 5.562 | EY 6.3-4-871X■ <i>Grnd.hub Dia. 3.000, if used on Spicer 1241 Aux. Trans.</i> |
| 1 | 1810 | 2.635-20 | 3.750 | 5.562 | EY 6.5-4-2011■ |
| 1 | 1810 | 2.635-20 | 3.750 | 5.562 | EY 6.5-4-3021■ <i>Grnd.hub Dia. 3.000, if used on Spicer 1241 Aux. Trans.</i> |
| 1 | 1810 | 2.635-20 | 3.750 | 5.562 | EY 6.5-4-3021-1■ <i>Grnd.hub Dia. 3.000, if used on Spicer 1241 Aux. Trans.</i> |
| 1 | 1810 | 2.635-20 | 3.750 | 5.562 | EY 6.5-4-3541-1X■ <i>Grnd.hub Dia. 3.000, if used on Spicer 1241 Aux. Trans.</i> |
| 1 | 1810 | 2.635-20 | 3.750 | 5.562 | EY 6.5-4-3541X■ <i>Grnd.hub Dia. 3.000, if used on Spicer 1241 Aux. Trans.</i> |

1052, 1052A, 1054, 1054A, 1062, 1062A, 1062B, 1064, 1064A, 1064B

| | | | | | |
|---|-----------|----------|-------|-------|--|
| 1 | 1650/1710 | 2.351-16 | 3.750 | 3.000 | CF 6-1-4571 <i>Hub machined for speedometer gear and no.3 woodruff keyway</i> |
| 1 | 1710 | 2.351-16 | 3.750 | 5.188 | EY 6-4-4531■ |
| 1 | 1710 | 2.350-16 | 3.750 | 5.188 | EY 6-4-5341■ |
| 1 | 1810 | 2.350-16 | 3.750 | 5.562 | EY 6.5-4-3011■ |

1107-2A, 1107-3A, 1207

| | | | | | |
|---|------|----------|-------|-------|----------------|
| 1 | 1610 | 2.635-20 | 3.750 | 5.062 | EY 5-4-6531-1■ |
| 1 | 1710 | 2.635-20 | 3.750 | 5.188 | EY 6-4-5351■ |

| Pos | Series | Spline Data | Hub Dia | * to End of Hub | End Fitting Part Number |
|-----|--------|-------------|---------|-----------------|-------------------------|
|-----|--------|-------------|---------|-----------------|-------------------------|

1107-2A, 1107-3A, 1207 (Continued)

| | | | | | |
|---|------|----------|-------|-------|---|
| 1 | 1710 | 2.635-20 | 3.750 | 5.188 | EY 6-4-7071-1X■ <i>Grnd.hub Dia. 3.000, if used on Spicer 1241 Aux. Trans.■</i> |
| 1 | 1710 | 2.635-20 | 3.750 | 5.188 | EY 6-4-7071X■ <i>Grnd.hub Dia. 3.000, if used on Spicer 1241 Aux. Trans.■</i> |
| 1 | 1760 | 2.635-20 | 3.750 | 5.562 | EY 6.3-4-41■ <i>Grnd.hub Dia. 3.000, if used on Spicer 1241 Aux. Trans.</i> |
| 1 | 1760 | 2.635-20 | 3.750 | 5.562 | EY 6.3-4-41-1■ <i>Grnd.hub Dia. 3.000, if used on Spicer 1241 Aux. Trans.</i> |
| 1 | 1760 | 2.635-20 | 3.750 | 5.562 | EY 6.3-4-871-1X■ <i>Grnd.hub Dia. 3.000, if used on Spicer 1241 Aux. Trans.</i> |
| 1 | 1760 | 2.635-20 | 3.750 | 5.562 | EY 6.3-4-871X■ <i>Grnd.hub Dia. 3.000, if used on Spicer 1241 Aux. Trans.</i> |
| 1 | 1810 | 2.635-20 | 3.750 | 5.562 | EY 6.5-4-2011■ |
| 1 | 1810 | 2.635-20 | 3.750 | 5.562 | EY 6.5-4-3021■ <i>Grnd.hub Dia. 3.000, if used on Spicer 1241 Aux. Trans.</i> |
| 1 | 1810 | 2.635-20 | 3.750 | 5.562 | EY 6.5-4-3021-1■ <i>Grnd.hub Dia. 3.000, if used on Spicer 1241 Aux. Trans.</i> |
| 1 | 1810 | 2.635-20 | 3.750 | 5.562 | EY 6.5-4-3541-1X■ <i>Grnd.hub Dia. 3.000, if used on Spicer 1241 Aux. Trans.</i> |
| 1 | 1810 | 2.635-20 | 3.750 | 5.562 | EY 6.5-4-3541X■ <i>Grnd.hub Dia. 3.000, if used on Spicer 1241 Aux. Trans.</i> |

1211, 1211-3A, 1211-5A, 1212

| | | | | | |
|---|------|----------|-------|-------|---|
| 1 | 1610 | 2.635-20 | 3.750 | 5.062 | EY 5-4-6531-1■ |
| 1 | 1710 | 2.635-20 | 3.750 | 5.188 | EY 6-4-7071-1X■ <i>Grnd.hub Dia. 3.000, if used on Spicer 1241 Aux. Trans.■</i> |
| 1 | 1710 | 2.635-20 | 3.750 | 5.188 | EY 6-4-7071X■ <i>Grnd.hub Dia. 3.000, if used on Spicer 1241 Aux. Trans.■</i> |
| 1 | 1760 | 2.635-20 | 3.750 | 5.562 | EY 6.3-4-41■ <i>Grnd.hub Dia. 3.000, if used on Spicer 1241 Aux. Trans.</i> |
| 1 | 1760 | 2.635-20 | 3.750 | 5.562 | EY 6.3-4-41-1■ <i>Grnd.hub Dia. 3.000, if used on Spicer 1241 Aux. Trans.</i> |
| 1 | 1760 | 2.635-20 | 3.750 | 5.562 | EY 6.3-4-871-1X■ <i>Grnd.hub Dia. 3.000, if used on Spicer 1241 Aux. Trans.</i> |
| 1 | 1760 | 2.635-20 | 3.750 | 5.562 | EY 6.3-4-871X■ <i>Grnd.hub Dia. 3.000, if used on Spicer 1241 Aux. Trans.</i> |
| 1 | 1810 | 2.635-20 | 3.750 | 5.562 | EY 6.5-4-2011■ |
| 1 | 1810 | 2.635-20 | 3.750 | 5.562 | EY 6.5-4-3021■ <i>Grnd.hub Dia. 3.000, if used on Spicer 1241 Aux. Trans.</i> |
| 1 | 1810 | 2.635-20 | 3.750 | 5.562 | EY 6.5-4-3021-1■ <i>Grnd.hub Dia. 3.000, if used on Spicer 1241 Aux. Trans.</i> |
| 1 | 1810 | 2.635-20 | 3.750 | 5.562 | EY 6.5-4-3541-1X■ <i>Grnd.hub Dia. 3.000, if used on Spicer 1241 Aux. Trans.</i> |
| 1 | 1810 | 2.635-20 | 3.750 | 5.562 | EY 6.5-4-3541X■ <i>Grnd.hub Dia. 3.000, if used on Spicer 1241 Aux. Trans.</i> |

*C/L to End of Hub for EY (End Yoke); Flange Face to End of Hub for CF (Companion Flange)

■ Hub machined for speedometer gear



| Pos | Series | Spline Data | Hub Dia | * to End of Hub | End Fitting Part Number |
|-------------|---|-------------|---------|-----------------|-------------------------|
| 1214 | | | | | |
| 1 | 1610 | 2.635-20 | 3.750 | 5.062 | EY 5-4-6531-1■ |
| 1 | 1710 | 2.635-20 | 3.750 | 5.188 | EY 6-4-5351■ |
| 1 | 1710 | 2.635-20 | 3.750 | 5.188 | EY 6-4-7071-1X |
| | <i>Grnd.hub Dia. 3.000, if used on Spicer 1241 Aux. Trans.■</i> | | | | |
| 1 | 1710 | 2.635-20 | 3.750 | 5.188 | EY 6-4-7071X |
| | <i>Grnd.hub Dia. 3.000, if used on Spicer 1241 Aux. Trans.■</i> | | | | |
| 1 | 1760 | 2.635-20 | 3.750 | 5.562 | EY 6.3-4-41■ |
| | <i>Grnd.hub Dia. 3.000, if used on Spicer 1241 Aux. Trans.</i> | | | | |
| 1 | 1760 | 2.635-20 | 3.750 | 5.562 | EY 6.3-4-41-1■ |
| | <i>Grnd.hub Dia. 3.000, if used on Spicer 1241 Aux. Trans.</i> | | | | |
| 1 | 1760 | 2.635-20 | 3.750 | 5.562 | EY 6.3-4-871-1X■ |
| | <i>Grnd.hub Dia. 3.000, if used on Spicer 1241 Aux. Trans.</i> | | | | |
| 1 | 1760 | 2.635-20 | 3.750 | 5.562 | EY 6.3-4-871X■ |
| | <i>Grnd.hub Dia. 3.000, if used on Spicer 1241 Aux. Trans.</i> | | | | |
| 1 | 1810 | 2.635-20 | 3.750 | 5.562 | EY 6.5-4-2011■ |
| 1 | 1810 | 2.635-20 | 3.750 | 5.562 | EY 6.5-4-3021■ |
| | <i>Grnd.hub Dia. 3.000, if used on Spicer 1241 Aux. Trans.</i> | | | | |
| 1 | 1810 | 2.635-20 | 3.750 | 5.562 | EY 6.5-4-3021-1■ |
| | <i>Grnd.hub Dia. 3.000, if used on Spicer 1241 Aux. Trans.</i> | | | | |
| 1 | 1810 | 2.635-20 | 3.750 | 5.562 | EY 6.5-4-3541-1X■ |
| | <i>Grnd.hub Dia. 3.000, if used on Spicer 1241 Aux. Trans.</i> | | | | |
| 1 | 1810 | 2.635-20 | 3.750 | 5.562 | EY 6.5-4-3541X■ |
| | <i>Grnd.hub Dia. 3.000, if used on Spicer 1241 Aux. Trans.</i> | | | | |

| | | | | | |
|--------------|---|----------|-------|-------|----------------|
| 1252, | | | | | |
| 1 | 1650/1710 | 2.351-16 | 3.750 | 3.000 | CF 6-1-4571 |
| | <i>Hub machined for speedometer gear and no.3 woodruff keyway</i> | | | | |
| 1 | 1710 | 2.351-16 | 3.750 | 5.188 | EY 6-4-4531■ |
| 1 | 1710 | 2.350-16 | 3.750 | 5.188 | EY 6-4-5341■ |
| 1 | 1810 | 2.350-16 | 3.750 | 5.562 | EY 6.5-4-3011■ |

| | | | | | |
|---|---|----------|-------|-------|----------------|
| 1252A, 1253, 1253A, 1253B, 1254, 1254A, 1262, 1262A, 1263, 1263A, 1264, 1264A, 1265, 1265A | | | | | |
| 1 | 1650/1710 | 2.351-16 | 3.750 | 3.000 | CF 6-1-4571 |
| | <i>Hub machined for speedometer gear and no.3 woodruff keyway</i> | | | | |
| 1 | 1710 | 2.351-16 | 3.750 | 5.188 | EY 6-4-4531■ |
| 1 | 1710 | 2.350-16 | 3.750 | 5.188 | EY 6-4-5341■ |
| 1 | 1810 | 2.350-16 | 3.750 | 5.562 | EY 6.5-4-3011■ |

| | | | | | |
|---------------------------|---|----------|-------|-------|-------------------|
| 1272, 1274-A, 1310 | | | | | |
| 1 | 1610 | 2.635-20 | 3.750 | 5.062 | EY 5-4-6531-1■ |
| 1 | 1710 | 2.635-20 | 3.750 | 5.188 | EY 6-4-5351■ |
| 1 | 1710 | 2.635-20 | 3.750 | 5.188 | EY 6-4-7071-1X |
| | <i>Grnd.hub Dia. 3.000, if used on Spicer 1241 Aux. Trans.■</i> | | | | |
| 1 | 1710 | 2.635-20 | 3.750 | 5.188 | EY 6-4-7071X |
| | <i>Grnd.hub Dia. 3.000, if used on Spicer 1241 Aux. Trans.■</i> | | | | |
| 1 | 1760 | 2.635-20 | 3.750 | 5.562 | EY 6.3-4-41■ |
| | <i>Grnd.hub Dia. 3.000, if used on Spicer 1241 Aux. Trans.</i> | | | | |
| 1 | 1760 | 2.635-20 | 3.750 | 5.562 | EY 6.3-4-41-1■ |
| | <i>Grnd.hub Dia. 3.000, if used on Spicer 1241 Aux. Trans.</i> | | | | |
| 1 | 1760 | 2.635-20 | 3.750 | 5.562 | EY 6.3-4-871-1X■ |
| | <i>Grnd.hub Dia. 3.000, if used on Spicer 1241 Aux. Trans.</i> | | | | |
| 1 | 1760 | 2.635-20 | 3.750 | 5.562 | EY 6.3-4-871X■ |
| | <i>Grnd.hub Dia. 3.000, if used on Spicer 1241 Aux. Trans.</i> | | | | |
| 1 | 1810 | 2.635-20 | 3.750 | 5.562 | EY 6.5-4-2011■ |
| 1 | 1810 | 2.635-20 | 3.750 | 5.562 | EY 6.5-4-3021■ |
| | <i>Grnd.hub Dia. 3.000, if used on Spicer 1241 Aux. Trans.</i> | | | | |
| 1 | 1810 | 2.635-20 | 3.750 | 5.562 | EY 6.5-4-3021-1■ |
| | <i>Grnd.hub Dia. 3.000, if used on Spicer 1241 Aux. Trans.</i> | | | | |
| 1 | 1810 | 2.635-20 | 3.750 | 5.562 | EY 6.5-4-3541-1X■ |
| | <i>Grnd.hub Dia. 3.000, if used on Spicer 1241 Aux. Trans.</i> | | | | |
| 1 | 1810 | 2.635-20 | 3.750 | 5.562 | EY 6.5-4-3541X■ |
| | <i>Grnd.hub Dia. 3.000, if used on Spicer 1241 Aux. Trans.</i> | | | | |

| Pos | Series | Spline Data | Hub Dia | * to End of Hub | End Fitting Part Number |
|-------------|---|-------------|---------|-----------------|-------------------------|
| 1352 | | | | | |
| 1 | 1610 | 2.635-20 | 3.750 | 5.062 | EY 5-4-6531-1■ |
| 1 | 1710 | 2.635-20 | 3.750 | 5.188 | EY 6-4-7071-1X |
| | <i>Grnd.hub Dia. 3.000, if used on Spicer 1241 Aux. Trans.■</i> | | | | |
| 1 | 1710 | 2.635-20 | 3.750 | 5.188 | EY 6-4-7071X |
| | <i>Grnd.hub Dia. 3.000, if used on Spicer 1241 Aux. Trans.■</i> | | | | |
| 1 | 1760 | 2.635-20 | 3.750 | 5.562 | EY 6.3-4-41■ |
| | <i>Grnd.hub Dia. 3.000, if used on Spicer 1241 Aux. Trans.</i> | | | | |
| 1 | 1760 | 2.635-20 | 3.750 | 5.562 | EY 6.3-4-41-1■ |
| | <i>Grnd.hub Dia. 3.000, if used on Spicer 1241 Aux. Trans.</i> | | | | |
| 1 | 1760 | 2.635-20 | 3.750 | 5.562 | EY 6.3-4-871-1X■ |
| | <i>Grnd.hub Dia. 3.000, if used on Spicer 1241 Aux. Trans.</i> | | | | |
| 1 | 1760 | 2.635-20 | 3.750 | 5.562 | EY 6.3-4-871X■ |
| | <i>Grnd.hub Dia. 3.000, if used on Spicer 1241 Aux. Trans.</i> | | | | |
| 1 | 1810 | 2.635-20 | 3.750 | 5.562 | EY 6.5-4-2011■ |
| 1 | 1810 | 2.635-20 | 3.750 | 5.562 | EY 6.5-4-3021■ |
| | <i>Grnd.hub Dia. 3.000, if used on Spicer 1241 Aux. Trans.</i> | | | | |
| 1 | 1810 | 2.635-20 | 3.750 | 5.562 | EY 6.5-4-3021-1■ |
| | <i>Grnd.hub Dia. 3.000, if used on Spicer 1241 Aux. Trans.</i> | | | | |
| 1 | 1810 | 2.635-20 | 3.750 | 5.562 | EY 6.5-4-3541-1X■ |
| | <i>Grnd.hub Dia. 3.000, if used on Spicer 1241 Aux. Trans.</i> | | | | |
| 1 | 1810 | 2.635-20 | 3.750 | 5.562 | EY 6.5-4-3541X■ |
| | <i>Grnd.hub Dia. 3.000, if used on Spicer 1241 Aux. Trans.</i> | | | | |

| | | | | | |
|-------------------|---|----------|-------|-------|-------------------|
| 1362, 1364 | | | | | |
| 1 | 1610 | 2.635-20 | 3.750 | 5.062 | EY 5-4-6531-1■ |
| 1 | 1710 | 2.635-20 | 3.750 | 5.188 | EY 6-4-5351■ |
| 1 | 1710 | 2.635-20 | 3.750 | 5.188 | EY 6-4-5351-1■ |
| 1 | 1710 | 2.635-20 | 3.750 | 5.188 | EY 6-4-7071-1X |
| | <i>Grnd.hub Dia. 3.000, if used on Spicer 1241 Aux. Trans.■</i> | | | | |
| 1 | 1710 | 2.635-20 | 3.750 | 5.188 | EY 6-4-7071X |
| | <i>Grnd.hub Dia. 3.000, if used on Spicer 1241 Aux. Trans.■</i> | | | | |
| 1 | 1760 | 2.635-20 | 3.750 | 5.562 | EY 6.3-4-41■ |
| | <i>Grnd.hub Dia. 3.000, if used on Spicer 1241 Aux. Trans.</i> | | | | |
| 1 | 1760 | 2.635-20 | 3.750 | 5.562 | EY 6.3-4-41-1■ |
| | <i>Grnd.hub Dia. 3.000, if used on Spicer 1241 Aux. Trans.</i> | | | | |
| 1 | 1760 | 2.635-20 | 3.750 | 5.562 | EY 6.3-4-871-1X■ |
| | <i>Grnd.hub Dia. 3.000, if used on Spicer 1241 Aux. Trans.</i> | | | | |
| 1 | 1760 | 2.635-20 | 3.750 | 5.562 | EY 6.3-4-871X■ |
| | <i>Grnd.hub Dia. 3.000, if used on Spicer 1241 Aux. Trans.</i> | | | | |
| 1 | 1810 | 2.635-20 | 3.750 | 5.562 | EY 6.5-4-2011■ |
| 1 | 1810 | 2.635-20 | 3.750 | 5.562 | EY 6.5-4-3021■ |
| | <i>Grnd.hub Dia. 3.000, if used on Spicer 1241 Aux. Trans.</i> | | | | |
| 1 | 1810 | 2.635-20 | 3.750 | 5.562 | EY 6.5-4-3021-1■ |
| | <i>Grnd.hub Dia. 3.000, if used on Spicer 1241 Aux. Trans.</i> | | | | |
| 1 | 1810 | 2.635-20 | 3.750 | 5.562 | EY 6.5-4-3541-1X■ |
| | <i>Grnd.hub Dia. 3.000, if used on Spicer 1241 Aux. Trans.</i> | | | | |
| 1 | 1810 | 2.635-20 | 3.750 | 5.562 | EY 6.5-4-3541X■ |
| | <i>Grnd.hub Dia. 3.000, if used on Spicer 1241 Aux. Trans.</i> | | | | |

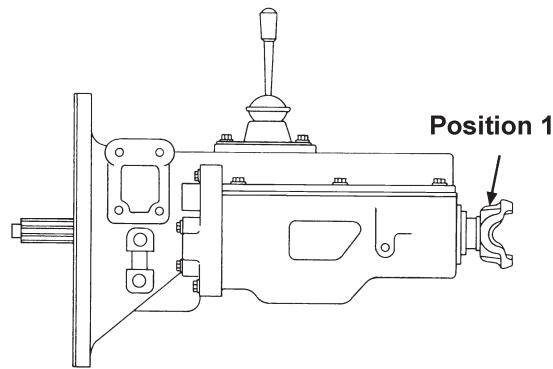
| | | | | | |
|-------------|---|----------|-------|-------|-----------------|
| 1372 | | | | | |
| 1 | 1610 | 2.635-20 | 3.750 | 5.062 | EY 5-4-6531-1■ |
| 1 | 1710 | 2.635-20 | 3.750 | 5.188 | EY 6-4-5351■ |
| 1 | 1710 | 2.635-20 | 3.750 | 5.188 | EY 6-4-5351-1■ |
| 1 | 1710 | 2.635-20 | 3.750 | 5.188 | EY 6-4-7071-1X |
| | <i>Grnd.hub Dia. 3.000, if used on Spicer 1241 Aux. Trans.■</i> | | | | |
| 1 | 1710 | 2.635-20 | 3.750 | 5.188 | EY 6-4-7071X |
| | <i>Grnd.hub Dia. 3.000, if used on Spicer 1241 Aux. Trans.■</i> | | | | |
| 1 | 1760 | 2.544-49 | 4.000 | 5.562 | EY 6.3-4-1251 |
| 1 | 1760 | 2.544-49 | 4.000 | 5.562 | EY 6.3-4-1251-1 |
| 1 | 1760 | 2.635-20 | 3.750 | 5.562 | EY 6.3-4-41■ |
| | <i>Grnd.hub Dia. 3.000, if used on Spicer 1241 Aux. Trans.</i> | | | | |

Continued on next page

*C/L to End of Hub for EY (End Yoke); Flange Face to End of Hub for CF (Companion Flange)

■ Hub machined for speedometer gear





| Pos | Series | Spline Data | Hub Dia | * to End of Hub | End Fitting Part Number |
|-----|--------|-------------|---------|-----------------|-------------------------|
|-----|--------|-------------|---------|-----------------|-------------------------|

1372 (Continued)

| | | | | | |
|---|------|----------|-------|-------|---|
| 1 | 1760 | 2.635-20 | 3.750 | 5.562 | EY 6.3-4-41-1■ <i>Grnd.hub Dia. 3.000, if used on Spicer 1241 Aux. Trans.</i> |
| 1 | 1760 | 2.635-20 | 3.750 | 5.562 | EY 6.3-4-871-1X■ <i>Grnd.hub Dia. 3.000, if used on Spicer 1241 Aux. Trans.</i> |
| 1 | 1760 | 2.635-20 | 3.750 | 5.562 | EY 6.3-4-871X■ <i>Grnd.hub Dia. 3.000, if used on Spicer 1241 Aux. Trans.</i> |
| 1 | 1810 | 2.635-20 | 3.750 | 5.562 | EY 6.5-4-2011■ |
| 1 | 1810 | 2.635-20 | 3.750 | 5.562 | EY 6.5-4-3021■ <i>Grnd.hub Dia. 3.000, if used on Spicer 1241 Aux. Trans.</i> |
| 1 | 1810 | 2.635-20 | 3.750 | 5.562 | EY 6.5-4-3021-1■ <i>Grnd.hub Dia. 3.000, if used on Spicer 1241 Aux. Trans.</i> |
| 1 | 1810 | 2.635-20 | 3.750 | 5.562 | EY 6.5-4-3541-1X■ <i>Grnd.hub Dia. 3.000, if used on Spicer 1241 Aux. Trans.</i> |
| 1 | 1810 | 2.635-20 | 3.750 | 5.562 | EY 6.5-4-3541X■ <i>Grnd.hub Dia. 3.000, if used on Spicer 1241 Aux. Trans.</i> |

1414

| | | | | | |
|---|------|----------|-------|-------|---|
| 1 | 1610 | 2.635-20 | 3.750 | 5.062 | EY 5-4-6531-1■ |
| 1 | 1710 | 2.635-20 | 3.750 | 5.188 | EY 6-4-5351■ |
| 1 | 1710 | 2.635-20 | 3.750 | 5.188 | EY 6-4-5351-1■ |
| 1 | 1710 | 2.635-20 | 3.750 | 5.188 | EY 6-4-7071-1X |
| 1 | 1710 | 2.635-20 | 3.750 | 5.188 | EY 6-4-7071X <i>Grnd.hub Dia. 3.000, if used on Spicer 1241 Aux. Trans.■</i> |
| 1 | 1760 | 2.635-20 | 3.750 | 5.562 | EY 6.3-4-41■ <i>Grnd.hub Dia. 3.000, if used on Spicer 1241 Aux. Trans.</i> |
| 1 | 1760 | 2.635-20 | 3.750 | 5.562 | EY 6.3-4-41-1■ <i>Grnd.hub Dia. 3.000, if used on Spicer 1241 Aux. Trans.</i> |
| 1 | 1760 | 2.635-20 | 3.750 | 5.562 | EY 6.3-4-871-1X■ <i>Grnd.hub Dia. 3.000, if used on Spicer 1241 Aux. Trans.</i> |
| 1 | 1760 | 2.635-20 | 3.750 | 5.562 | EY 6.3-4-871X■ <i>Grnd.hub Dia. 3.000, if used on Spicer 1241 Aux. Trans.</i> |
| 1 | 1810 | 2.635-20 | 3.750 | 5.562 | EY 6.5-4-2011■ |
| 1 | 1810 | 2.635-20 | 3.750 | 5.562 | EY 6.5-4-3021■ <i>Grnd.hub Dia. 3.000, if used on Spicer 1241 Aux. Trans.</i> |
| 1 | 1810 | 2.635-20 | 3.750 | 5.562 | EY 6.5-4-3021-1■ <i>Grnd.hub Dia. 3.000, if used on Spicer 1241 Aux. Trans.</i> |
| 1 | 1810 | 2.635-20 | 3.750 | 5.562 | EY 6.5-4-3541-1X■ <i>Grnd.hub Dia. 3.000, if used on Spicer 1241 Aux. Trans.</i> |
| 1 | 1810 | 2.635-20 | 3.750 | 5.562 | EY 6.5-4-3541X■ <i>Grnd.hub Dia. 3.000, if used on Spicer 1241 Aux. Trans.</i> |

1420

| | | | | | |
|---|------|----------|-------|-------|----------------|
| 1 | 1710 | 2.635-20 | 3.750 | 5.188 | EY 6-4-5351■ |
| 1 | 1710 | 2.635-20 | 3.750 | 5.188 | EY 6-4-5351-1■ |

| Pos | Series | Spline Data | Hub Dia | * to End of Hub | End Fitting Part Number |
|-----|--------|-------------|---------|-----------------|-------------------------|
|-----|--------|-------------|---------|-----------------|-------------------------|

1420-3A, 1420-3B

| | | | | | |
|---|------|----------|-------|-------|---|
| 1 | 1610 | 2.635-20 | 3.750 | 5.062 | EY 5-4-6531-1■ |
| 1 | 1710 | 2.635-20 | 3.750 | 5.188 | EY 6-4-7071-1X <i>Grnd.hub Dia. 3.000, if used on Spicer 1241 Aux. Trans.■</i> |
| 1 | 1710 | 2.635-20 | 3.750 | 5.188 | EY 6-4-7071X <i>Grnd.hub Dia. 3.000, if used on Spicer 1241 Aux. Trans.■</i> |
| 1 | 1760 | 2.635-20 | 3.750 | 5.562 | EY 6.3-4-41■ <i>Grnd.hub Dia. 3.000, if used on Spicer 1241 Aux. Trans.</i> |
| 1 | 1760 | 2.635-20 | 3.750 | 5.562 | EY 6.3-4-41-1■ <i>Grnd.hub Dia. 3.000, if used on Spicer 1241 Aux. Trans.</i> |
| 1 | 1760 | 2.635-20 | 3.750 | 5.562 | EY 6.3-4-871-1X■ <i>Grnd.hub Dia. 3.000, if used on Spicer 1241 Aux. Trans.</i> |
| 1 | 1760 | 2.635-20 | 3.750 | 5.562 | EY 6.3-4-871X■ <i>Grnd.hub Dia. 3.000, if used on Spicer 1241 Aux. Trans.</i> |
| 1 | 1810 | 2.635-20 | 3.750 | 5.562 | EY 6.5-4-2011■ |
| 1 | 1810 | 2.635-20 | 3.750 | 5.562 | EY 6.5-4-3021■ <i>Grnd.hub Dia. 3.000, if used on Spicer 1241 Aux. Trans.</i> |
| 1 | 1810 | 2.635-20 | 3.750 | 5.562 | EY 6.5-4-3021-1■ <i>Grnd.hub Dia. 3.000, if used on Spicer 1241 Aux. Trans.</i> |
| 1 | 1810 | 2.635-20 | 3.750 | 5.562 | EY 6.5-4-3541-1X■ <i>Grnd.hub Dia. 3.000, if used on Spicer 1241 Aux. Trans.</i> |
| 1 | 1810 | 2.635-20 | 3.750 | 5.562 | EY 6.5-4-3541X■ <i>Grnd.hub Dia. 3.000, if used on Spicer 1241 Aux. Trans.</i> |

1452, 1453, 1463

| | | | | | |
|---|------|----------|-------|-------|---|
| 1 | 1610 | 2.635-20 | 3.750 | 5.062 | EY 5-4-6531-1■ |
| 1 | 1710 | 2.635-20 | 3.750 | 5.188 | EY 6-4-5351■ |
| 1 | 1710 | 2.635-20 | 3.750 | 5.188 | EY 6-4-5351-1■ |
| 1 | 1710 | 2.635-20 | 3.750 | 5.188 | EY 6-4-7071-1X <i>Grnd.hub Dia. 3.000, if used on Spicer 1241 Aux. Trans.■</i> |
| 1 | 1710 | 2.635-20 | 3.750 | 5.188 | EY 6-4-7071X <i>Grnd.hub Dia. 3.000, if used on Spicer 1241 Aux. Trans.■</i> |
| 1 | 1760 | 2.635-20 | 3.750 | 5.562 | EY 6.3-4-41■ <i>Grnd.hub Dia. 3.000, if used on Spicer 1241 Aux. Trans.</i> |
| 1 | 1760 | 2.635-20 | 3.750 | 5.562 | EY 6.3-4-41-1■ <i>Grnd.hub Dia. 3.000, if used on Spicer 1241 Aux. Trans.</i> |
| 1 | 1760 | 2.635-20 | 3.750 | 5.562 | EY 6.3-4-871-1X■ <i>Grnd.hub Dia. 3.000, if used on Spicer 1241 Aux. Trans.</i> |
| 1 | 1760 | 2.635-20 | 3.750 | 5.562 | EY 6.3-4-871X■ <i>Grnd.hub Dia. 3.000, if used on Spicer 1241 Aux. Trans.</i> |
| 1 | 1810 | 2.635-20 | 3.750 | 5.562 | EY 6.5-4-2011■ |
| 1 | 1810 | 2.635-20 | 3.750 | 5.562 | EY 6.5-4-3021■ <i>Grnd.hub Dia. 3.000, if used on Spicer 1241 Aux. Trans.</i> |
| 1 | 1810 | 2.635-20 | 3.750 | 5.562 | EY 6.5-4-3021-1■ <i>Grnd.hub Dia. 3.000, if used on Spicer 1241 Aux. Trans.</i> |
| 1 | 1810 | 2.635-20 | 3.750 | 5.562 | EY 6.5-4-3541-1X■ <i>Grnd.hub Dia. 3.000, if used on Spicer 1241 Aux. Trans.</i> |
| 1 | 1810 | 2.635-20 | 3.750 | 5.562 | EY 6.5-4-3541X■ <i>Grnd.hub Dia. 3.000, if used on Spicer 1241 Aux. Trans.</i> |

*C/L to End of Hub for EY (End Yoke); Flange Face to End of Hub for CF (Companion Flange)

■ Hub machined for speedometer gear



| Pos | Series | Spline Data | Hub Dia | * to End of Hub | End Fitting Part Number |
|---|---|-------------|---------|-----------------|---|
| 3152, 3153, 3556, 3853 | | | | | |
| 1 | 1350/1410 | 1.500-10 | 2.250 | 2.375 | CF 3-1-3191 <i>Can be used w/brake</i> |
| 1 | 1480/1550 | 1.500-10 | 2.250 | 2.500 | CF 4-1-3441 <i>Can be used w/brake</i> |
| 5510 | | | | | |
| 1 | 1710 | 2.635-20 | 3.750 | 5.188 | EY 6-4-5351■ |
| 1 | 1710 | 2.635-20 | 3.750 | 5.188 | EY 6-4-5351-1■ |
| 5652, 5752, 5753, 5756, 5852, 5853 | | | | | |
| 1 | 1610 | 1.750-10 | 2.500 | 4.250 | EY 5-4-1051 |
| 6241 | | | | | |
| 1 | 1480/1550 | 1.961-6 | 2.750 | 3.625 | CF 4-1-601 |
| 6351 | | | | | |
| | SPL90 | 2.000-10 | 2.750 | 4.969 | EY 90-4-21-1 |
| 6352, 6354 | | | | | |
| 1 | 1550 | 2.000-10 | 2.750 | 3.625 | CF 4-1-3781 |
| 1 | 1610 | 2.000-10 | 2.750 | 3.625 | CF 5-1-3141 |
| 1 | 1650/1710 | 2.000-10 | 2.750 | 3.688 | CF 6-1-2221 |
| 1 | 1610 | 2.000-10 | 2.750 | 5.188 | EY 5-4-1661 |
| 1 | 1610 | 2.000-10 | 2.750 | 5.469 | EY 5-4-1661-1 |
| 6440 | | | | | |
| 1 | 1480/1550 | 1.961-6 | 2.750 | 3.625 | CF 4-1-601 |
| 6452, 6453, 6454, 6852, 6853, 6855, 7016, 7216 | | | | | |
| 1 | 1610 | 2.225-6 | 3.000 | 3.875 | CF 5-1-2541 |
| 1 | 1650/1710 | 2.225-6 | 3.000 | 4.469 | CF 6-1-1481 |
| 1 | 1650/1710 | 2.225-6 | 3.000 | 3.750 | CF 6-1-1731 |
| 1 | 1810 | 2.225-6 | 3.000 | 3.750 | CF 6.5-1-481 |
| 1 | 1710 | 2.225-6 | 3.000 | 5.438 | EY 6-4-3041-1X |
| 1 | 1710 | 2.225-6 | 3.000 | 5.312 | EY 6-4-3041X |
| 7352, 7452, 7453 | | | | | |
| 1 | 1550 | 2.000-10 | 2.750 | 3.625 | CF 4-1-3781 |
| 1 | 1610 | 2.000-10 | 2.750 | 3.625 | CF 5-1-3141 |
| 1 | 1650/1710 | 2.000-10 | 2.750 | 3.688 | CF 6-1-2221 |
| 1 | 1610 | 2.000-10 | 2.750 | 5.188 | EY 5-4-1661 |
| 1 | 1610 | 2.000-10 | 2.750 | 5.469 | EY 5-4-1661-1 |
| 8012, 8016, 8041, 8045, 8051, 8052, 8054, 8055, 8212, 8216, 8241, 8245, 8251, 8252, 8255, 8440, 8445, 8512, 8516, 8542, 8545, 8553, 8554, 8555, 8716, 8742, 8744, 8753, 8755 | | | | | |
| 1 | 1610 | 2.225-6 | 3.000 | 3.875 | CF 5-1-2541 |
| 1 | 1650/1710 | 2.225-6 | 3.000 | 4.469 | CF 6-1-1481 |
| 1 | 1650/1710 | 2.225-6 | 3.000 | 3.750 | CF 6-1-1731 |
| 1 | 1810 | 2.225-6 | 3.000 | 3.750 | CF 6.5-1-481 |
| 1 | 1710 | 2.225-6 | 3.000 | 5.438 | EY 6-4-3041-1X |
| 1 | 1710 | 2.225-6 | 3.000 | 5.312 | EY 6-4-3041X |
| 9072 | | | | | |
| 1 | 1610 | 2.635-20 | 3.750 | 5.062 | EY 5-4-6531-1■ |
| 1 | 1710 | 2.635-20 | 3.750 | 5.188 | EY 6-4-7071-1X |
| | <i>Grnd.hub Dia. 3.000, if used on Spicer 1241 Aux. Trans.■</i> | | | | |
| 1 | 1710 | 2.635-20 | 3.750 | 5.188 | EY 6-4-7071X |
| | <i>Grnd.hub Dia. 3.000, if used on Spicer 1241 Aux. Trans.■</i> | | | | |
| 1 | 1760 | 2.544-49 | 4.000 | 5.562 | EY 6.3-4-1251 |
| 1 | 1760 | 2.544-49 | 4.000 | 5.562 | EY 6.3-4-1251-1 |
| 1 | 1760 | 2.635-20 | 3.750 | 5.562 | EY 6.3-4-41■ |
| | <i>Grnd.hub Dia. 3.000, if used on Spicer 1241 Aux. Trans.</i> | | | | |
| 1 | 1760 | 2.635-20 | 3.750 | 5.562 | EY 6.3-4-41-1■ |
| | <i>Grnd.hub Dia. 3.000, if used on Spicer 1241 Aux. Trans.</i> | | | | |
| 1 | 1760 | 2.635-20 | 3.750 | 5.562 | EY 6.3-4-871-1X■ |
| | <i>Grnd.hub Dia. 3.000, if used on Spicer 1241 Aux. Trans.</i> | | | | |

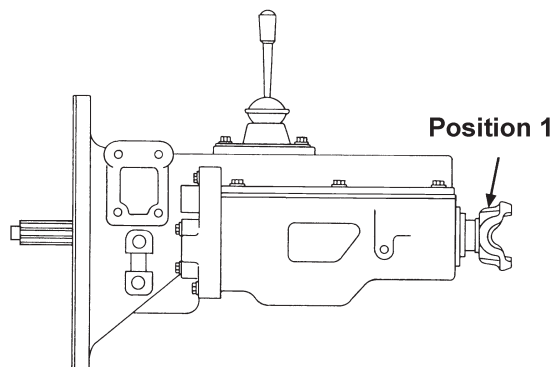
| Pos | Series | Spline Data | Hub Dia | * to End of Hub | End Fitting Part Number |
|-------------------------|--|-------------|---------|-----------------|-------------------------|
| 9072 (Continued) | | | | | |
| 1 | 1760 | 2.635-20 | 3.750 | 5.562 | EY 6.3-4-871X■ |
| | <i>Grnd.hub Dia. 3.000, if used on Spicer 1241 Aux. Trans.</i> | | | | |
| 1 | 1810 | 2.635-20 | 3.750 | 5.562 | EY 6.5-4-2011■ |
| 1 | 1810 | 2.635-20 | 3.750 | 5.562 | EY 6.5-4-3021■ |
| | <i>Grnd.hub Dia. 3.000, if used on Spicer 1241 Aux. Trans.</i> | | | | |
| 1 | 1810 | 2.635-20 | 3.750 | 5.562 | EY 6.5-4-3021-1■ |
| | <i>Grnd.hub Dia. 3.000, if used on Spicer 1241 Aux. Trans.</i> | | | | |
| 1 | 1810 | 2.635-20 | 3.750 | 5.562 | EY 6.5-4-3541-1X■ |
| | <i>Grnd.hub Dia. 3.000, if used on Spicer 1241 Aux. Trans.</i> | | | | |
| 1 | 1810 | 2.635-20 | 3.750 | 5.562 | EY 6.5-4-3541X■ |
| | <i>Grnd.hub Dia. 3.000, if used on Spicer 1241 Aux. Trans.</i> | | | | |

*C/L to End of Hub for EY (End Yoke); Flange Face to End of Hub for CF (Companion Flange)

■ Hub machined for speedometer gear



Important: See Safety Information in General Information Section (J300P-GI)



| Pos | Series | Spline Data | Hub Dia | * to End of Hub | End Fitting Part Number |
|-----|--------|-------------|---------|-----------------|-------------------------|
|-----|--------|-------------|---------|-----------------|-------------------------|

| | | | | | |
|--|-----------|----------|-------|-------|-------------|
| T-9, T-9L, T-87-D, T-97, T-98, T-98A, | | | | | |
| 1 | 1350/1410 | 1.375-10 | 2.125 | 2.516 | CF 3-1-2311 |
| 1 | 1350/1410 | 1.375-10 | 2.125 | 2.438 | CF 3-1-751 |
| 1 | 1310 | 1.375-10 | 2.125 | 3.438 | EY 2-4-1731 |
| <i>Hub diameter not ground</i> | | | | | |

| Pos | Series | Spline Data | Hub Dia | * to End of Hub | End Fitting Part Number |
|-----|--------|-------------|---------|-----------------|-------------------------|
|-----|--------|-------------|---------|-----------------|-------------------------|

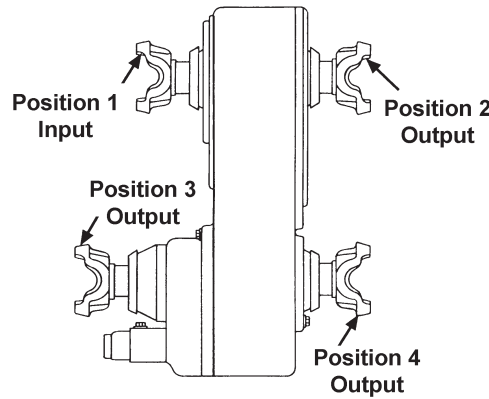
| | | | | | |
|--------------|------|----------|-------|-------|---------------|
| TC-33 | | | | | |
| | 1410 | 1.750-10 | 2.375 | 4.188 | EY 3-4-1161-1 |
| | 1550 | 1.750-10 | 2.375 | 4.000 | EY 4-4-2041-1 |

| | | | | | |
|---|------|----------|-------|-------|---------------|
| TC-38 | | | | | |
| 1 | 1480 | 1.998-38 | 2.750 | 4.156 | EY 3-4-8781-1 |
| 1 | 1550 | 1.998-38 | 2.750 | 4.035 | EY 4-4-4491-1 |
| <i>S/A 4-4-7341-1 But Hub does not Include Slinger Diameter</i> | | | | | |
| 1 | 1610 | 1.998-38 | 2.750 | 4.125 | EY 5-4-6321 |
| 1 | 1610 | 1.998-38 | 2.750 | 4.000 | EY 5-4-6321-1 |
| 1 | 1710 | 1.998-38 | 2.750 | 5.250 | EY 6-4-7301 |
| 1 | 1710 | 1.998-38 | 2.750 | 5.250 | EY 6-4-7301-1 |
| 2 | 1480 | 1.998-38 | 2.750 | 4.156 | EY 3-4-8781-1 |
| 2 | 1550 | 1.998-38 | 2.750 | 4.035 | EY 4-4-4491-1 |
| <i>S/A 4-4-7341-1 But Hub does not Include Slinger Diameter</i> | | | | | |
| 2 | 1610 | 1.998-38 | 2.750 | 4.125 | EY 5-4-6321 |
| 2 | 1610 | 1.998-38 | 2.750 | 4.000 | EY 5-4-6321-1 |
| 2 | 1710 | 1.998-38 | 2.750 | 5.250 | EY 6-4-7301 |
| 2 | 1710 | 1.998-38 | 2.750 | 5.250 | EY 6-4-7301-1 |
| 3 | 1480 | 1.998-38 | 2.750 | 4.156 | EY 3-4-8781-1 |
| 3 | 1550 | 1.998-38 | 2.750 | 4.035 | EY 4-4-4491-1 |
| <i>S/A 4-4-7341-1 But Hub does not Include Slinger Diameter</i> | | | | | |
| 3 | 1610 | 1.998-38 | 2.750 | 4.125 | EY 5-4-6321 |
| 3 | 1610 | 1.998-38 | 2.750 | 4.000 | EY 5-4-6321-1 |
| 3 | 1710 | 1.998-38 | 2.750 | 5.250 | EY 6-4-7301 |
| 3 | 1710 | 1.998-38 | 2.750 | 5.250 | EY 6-4-7301-1 |

*C/L to End of Hub for EY (End Yoke); Flange Face to End of Hub for CF (Companion Flange)

■ Hub machined for speedometer gear





| Pos | Series | Spline Data | Hub Dia | * to End of Hub | End Fitting Part Number |
|--------------|--------|-------------|---------|-----------------|-------------------------|
| TC-44 | | | | | |
| | 1410 | 1.750-10 | 2.375 | 4.188 | EY 3-4-1161-1 |
| | 1550 | 1.750-10 | 2.375 | 4.000 | EY 4-4-2041-1 |

| Pos | Series | Spline Data | Hub Dia | * to End of Hub | End Fitting Part Number |
|---------------|--------|-------------|---------|-----------------|--|
| TC-140 | | | | | |
| 2 | 1810 | 2.750-10 | 3.500 | 6.062 | EY 6.5-4-2931X |
| 3 | 1610 | 1.964-10 | 2.625 | 4.500 | EY 6-4-2211 <i>Chamfered Counterbore</i> |
| 3 | 1710 | 1.962-10 | 2.625 | 4.500 | EY 6-4-4731-1X <i>Chamfered Counterbore</i> |
| 3 | 1710 | 1.962-10 | 2.625 | 4.500 | EY 6-4-4731X <i>Chamfered Counterbore</i> |

| Pos | Series | Spline Data | Hub Dia | * to End of Hub | End Fitting Part Number |
|---------------|--------|-------------|---------|-----------------|-------------------------|
| TC-142 | | | | | |
| 1 | SPL250 | 2.750-10 | 3.500 | 6.312 | EY 250-4-761-1X |
| 1 | 1710 | 2.750-10 | 3.500 | 5.750 | EY 6-4-4551 |
| 1 | 1710 | 2.750-10 | 3.500 | 5.750 | EY 6-4-4551-1 |
| 1 | 1810 | 2.750-10 | 3.500 | 6.062 | EY 6.5-4-1901 |
| 1 | 1810 | 2.750-10 | 3.500 | 6.062 | EY 6.5-4-1901-1 |
| 2 | SPL250 | 2.750-10 | 3.500 | 6.312 | EY 250-4-761-1X |
| 2 | 1710 | 2.750-10 | 3.500 | 5.750 | EY 6-4-4551 |
| 2 | 1710 | 2.750-10 | 3.500 | 5.750 | EY 6-4-4551-1 |
| 2 | 1810 | 2.750-10 | 3.500 | 6.062 | EY 6.5-4-1901 |
| 2 | 1810 | 2.750-10 | 3.500 | 6.062 | EY 6.5-4-1901-1 |
| 3 | 1810 | 2.500-10 | 3.500 | 5.406 | EY 6.5-4-2101 |
| 3 | 1810 | 2.500-10 | 3.500 | 5.406 | EY 6.5-4-2101-1 |

| Pos | Series | Spline Data | Hub Dia | * to End of Hub | End Fitting Part Number |
|---------------|--------|-------------|---------|-----------------|-------------------------|
| TC-143 | | | | | |
| 1 | SPL250 | 2.750-10 | 3.500 | 6.312 | EY 250-4-761-1X |
| 1 | 1710 | 2.750-10 | 3.500 | 5.750 | EY 6-4-4551 |
| 1 | 1710 | 2.750-10 | 3.500 | 5.750 | EY 6-4-4551-1 |
| 1 | 1810 | 2.750-10 | 3.500 | 6.062 | EY 6.5-4-1901 |
| 1 | 1810 | 2.750-10 | 3.500 | 6.062 | EY 6.5-4-1901-1 |
| 2 | SPL250 | 2.750-10 | 3.500 | 6.312 | EY 250-4-751-1 |
| 2 | SPL250 | 2.750-10 | 3.500 | 6.312 | EY 250-4-761-1X |
| 2 | 1710 | 2.750-10 | 3.500 | 5.750 | EY 6-4-4551 |
| 2 | 1710 | 2.750-10 | 3.500 | 5.750 | EY 6-4-4551-1 |
| 2 | 1810 | 2.750-10 | 3.500 | 6.062 | EY 6.5-4-1901 |
| 2 | 1810 | 2.750-10 | 3.500 | 6.062 | EY 6.5-4-1901-1 |
| 3 | SPL250 | 2.750-10 | 3.500 | 6.312 | EY 250-4-761-1X |
| 3 | 1710 | 2.750-10 | 3.500 | 5.750 | EY 6-4-4551 |
| 3 | 1710 | 2.750-10 | 3.500 | 5.750 | EY 6-4-4551-1 |
| 3 | 1810 | 2.750-10 | 3.500 | 6.062 | EY 6.5-4-1901 |
| 3 | 1810 | 2.750-10 | 3.500 | 6.062 | EY 6.5-4-1901-1 |

| Pos | Series | Spline Data | Hub Dia | * to End of Hub | End Fitting Part Number |
|---------------|--------|-------------|---------|-----------------|-------------------------|
| TC-170 | | | | | |
| 1 | SPL170 | 2.500-10 | 3.500 | 5.188 | EY 170-4-1341-1 |
| 1 | SPL250 | 2.500-10 | 3.500 | 5.500 | EY 250-4-701-1 |
| 1 | 1710 | 2.500-10 | 3.500 | 5.156 | EY 6-4-4421 |

| Pos | Series | Spline Data | Hub Dia | * to End of Hub | End Fitting Part Number |
|-----|--------|-------------|---------|-----------------|-------------------------|
|-----|--------|-------------|---------|-----------------|-------------------------|

| Pos | Series | Spline Data | Hub Dia | * to End of Hub | End Fitting Part Number |
|---------------------------|--------|-------------|---------|-----------------|-------------------------|
| TC-170 (Continued) | | | | | |
| 1 | 1710 | 2.500-10 | 3.500 | 5.156 | EY 6-4-4421-1 |
| 1 | 1760 | 2.500-10 | 3.500 | 5.406 | EY 6.3-4-151 |
| 1 | 1760 | 2.500-10 | 3.500 | 5.406 | EY 6.3-4-151-1 |
| 1 | 1810 | 2.500-10 | 3.500 | 5.406 | EY 6.5-4-2101 |
| 1 | 1810 | 2.500-10 | 3.500 | 5.406 | EY 6.5-4-2101-1 |
| 2 | SPL170 | 2.500-10 | 3.500 | 5.188 | EY 170-4-1341-1 |
| 2 | SPL250 | 2.500-10 | 3.500 | 5.500 | EY 250-4-701-1 |
| 2 | 1710 | 2.500-10 | 3.500 | 5.156 | EY 6-4-4421 |
| 2 | 1710 | 2.500-10 | 3.500 | 5.156 | EY 6-4-4421-1 |
| 2 | 1760 | 2.500-10 | 3.500 | 5.406 | EY 6.3-4-151 |
| 2 | 1760 | 2.500-10 | 3.500 | 5.406 | EY 6.3-4-151-1 |
| 2 | 1810 | 2.500-10 | 3.500 | 5.406 | EY 6.5-4-2101 |
| 2 | 1810 | 2.500-10 | 3.500 | 5.406 | EY 6.5-4-2101-1 |
| 3 | SPL170 | 2.500-10 | 3.500 | 5.188 | EY 170-4-1341-1 |
| 3 | SPL250 | 2.500-10 | 3.500 | 5.500 | EY 250-4-701-1 |
| 3 | 1710 | 2.500-10 | 3.500 | 5.156 | EY 6-4-4421 |
| 3 | 1710 | 2.500-10 | 3.500 | 5.156 | EY 6-4-4421-1 |
| 3 | 1760 | 2.500-10 | 3.500 | 5.406 | EY 6.3-4-151 |
| 3 | 1760 | 2.500-10 | 3.500 | 5.406 | EY 6.3-4-151-1 |
| 3 | 1810 | 2.500-10 | 3.500 | 5.406 | EY 6.5-4-2101 |
| 3 | 1810 | 2.500-10 | 3.500 | 5.406 | EY 6.5-4-2101-1 |

| Pos | Series | Spline Data | Hub Dia | * to End of Hub | End Fitting Part Number |
|---------------|--------|-------------|---------|-----------------|-------------------------|
| TC-171 | | | | | |
| 1 | 1810 | 2.500-10 | 3.500 | 5.406 | EY 6.5-4-2101-1 |
| 2 | 1810 | 2.500-10 | 3.500 | 5.406 | EY 6.5-4-2101-1 |

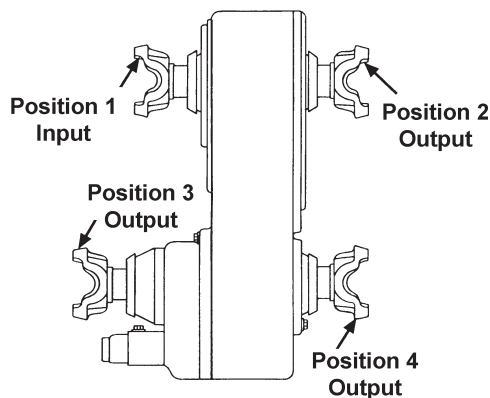
| Pos | Series | Spline Data | Hub Dia | * to End of Hub | End Fitting Part Number |
|---------------|--------|-------------|---------|-----------------|-------------------------|
| TC-200 | | | | | |
| 1 | SPL170 | 2.114-32 | 3.000 | 5.000 | EY 170-4-891-1 |
| 1 | SPL250 | 2.114-32 | 3.000 | 5.240 | EY 250-4-411-1 |
| 1 | 1610 | 2.114-32 | 3.000 | 5.375 | EY 5-4-5751 |
| 1 | 1610 | 2.114-32 | 3.000 | 5.375 | EY 5-4-8601-1 |
| 1 | 1710 | 2.114-32 | 3.000 | 4.562 | EY 6-4-5811 |
| 1 | 1710 | 2.114-32 | 3.000 | 4.562 | EY 6-4-8671-1 |
| 1 | 1810 | 2.114-32 | 3.000 | 5.000 | EY 6.5-4-4451-1 |
| 2 | 1710 | 2.364-36 | 3.000 | 5.438 | EY 6-4-7201 |
| 2 | 1810 | 2.500-10 | 3.500 | 5.406 | EY 6.5-4-2101-1 |
| 2 | 1810 | 2.364-36 | 3.000 | 5.438 | EY 6.5-4-3161 |
| 2 | 1810 | 2.364-36 | 3.000 | 5.438 | EY 6.5-4-4411-1 |
| 3 | SPL170 | 2.114-32 | 3.000 | 5.000 | EY 170-4-891-1 |
| 3 | SPL250 | 2.114-32 | 3.000 | 5.240 | EY 250-4-411-1 |
| 3 | 1610 | 2.114-32 | 3.000 | 5.375 | EY 5-4-5751 |
| 3 | 1610 | 2.364-36 | 3.000 | 5.156 | EY 5-4-7191 |
| 3 | 1610 | 2.114-32 | 3.000 | 5.375 | EY 5-4-8601-1 |
| 3 | 1710 | 2.114-32 | 3.000 | 4.562 | EY 6-4-5811 |
| 3 | 1710 | 2.364-36 | 3.000 | 5.438 | EY 6-4-7201 |

Continued on next page

*C/L to End of Hub for EY (End Yoke); Flange Face to End of Hub for CF (Companion Flange)

■ Hub machined for speedometer gear





| Pos | Series | Spline Data | Hub Dia | * to End of Hub | End Fitting Part Number |
|-----|--------|-------------|---------|-----------------|-------------------------|
|-----|--------|-------------|---------|-----------------|-------------------------|

TC-200 (Continued)

| | | | | | |
|---|------|----------|-------|-------|-----------------|
| 3 | 1710 | 2.500-10 | 3.500 | 5.156 | EY 6-4-8321-1X |
| 3 | 1710 | 2.114-32 | 3.000 | 4.562 | EY 6-4-8671-1 |
| 3 | 1710 | 2.364-36 | 3.000 | 5.438 | EY 6-4-8711-1 |
| 3 | 1810 | 2.114-32 | 3.000 | 5.000 | EY 6.5-4-4451-1 |

TC-270

| | | | | | |
|---|--------|----------|-------|-------|-----------------|
| 1 | SPL170 | 2.500-10 | 3.500 | 5.188 | EY 170-4-1341-1 |
| 1 | SPL250 | 2.500-10 | 3.500 | 5.500 | EY 250-4-701-1 |
| 1 | SPL250 | 2.750-10 | 3.500 | 6.312 | EY 250-4-761-1X |
| 1 | 1710 | 2.500-10 | 3.500 | 5.156 | EY 6-4-4421 |
| 1 | 1710 | 2.750-10 | 3.500 | 5.750 | EY 6-4-4551 |
| 1 | 1710 | 2.750-10 | 3.500 | 5.750 | EY 6-4-4551-1 |
| 1 | 1760 | 2.500-10 | 3.500 | 5.406 | EY 6.3-4-151 |
| 1 | 1760 | 2.500-10 | 3.500 | 5.406 | EY 6.3-4-151-1 |
| 1 | 1760 | 2.500-10 | 3.500 | 5.156 | EY 6-4-4421-1 |
| 1 | 1810 | 2.750-10 | 3.500 | 6.062 | EY 6.5-4-1901 |
| 1 | 1810 | 2.750-10 | 3.500 | 6.062 | EY 6.5-4-1901-1 |
| 1 | 1810 | 2.500-10 | 3.500 | 5.406 | EY 6.5-4-2101 |
| 1 | 1810 | 2.500-10 | 3.500 | 5.406 | EY 6.5-4-2101-1 |
| 2 | SPL250 | 2.750-10 | 3.500 | 6.312 | EY 250-4-751-1 |
| 2 | 1710 | 2.750-10 | 3.500 | 5.750 | EY 6-4-4551 |
| 2 | 1710 | 2.750-10 | 3.500 | 5.750 | EY 6-4-4551-1 |
| 2 | 1810 | 2.750-10 | 3.500 | 6.062 | EY 6.5-4-1901 |
| 2 | 1810 | 2.750-10 | 3.500 | 6.062 | EY 6.5-4-1901-1 |
| 3 | SPL250 | 2.750-10 | 3.500 | 6.312 | EY 250-4-761-1X |
| 3 | 1710 | 2.750-10 | 3.500 | 5.750 | EY 6-4-4551 |
| 3 | 1710 | 2.750-10 | 3.500 | 5.750 | EY 6-4-4551-1 |
| 3 | 1810 | 2.750-10 | 3.500 | 6.062 | EY 6.5-4-1901 |
| 3 | 1810 | 2.750-10 | 3.500 | 6.062 | EY 6.5-4-1901-1 |

TC-1702

| | | | | | |
|---|--------|----------|-------|-------|-----------------|
| 1 | SPL170 | 2.500-10 | 3.500 | 5.188 | EY 170-4-1341-1 |
| 1 | SPL250 | 2.500-10 | 3.500 | 5.500 | EY 250-4-701-1 |
| 1 | 1710 | 2.500-10 | 3.500 | 5.156 | EY 6-4-4421 |
| 1 | 1710 | 2.500-10 | 3.500 | 5.156 | EY 6-4-4421-1 |
| 1 | 1760 | 2.500-10 | 3.500 | 5.406 | EY 6.3-4-151-1 |
| 1 | 1810 | 2.500-10 | 3.500 | 5.406 | EY 6.5-4-2101 |
| 1 | 1810 | 2.500-10 | 3.500 | 5.406 | EY 6.5-4-2101-1 |
| 2 | SPL250 | 2.750-10 | 3.500 | 6.312 | EY 250-4-751-1 |
| 2 | 1710 | 2.750-10 | 3.500 | 5.750 | EY 6-4-4551 |
| 2 | 1710 | 2.750-10 | 3.500 | 5.750 | EY 6-4-4551-1 |
| 2 | 1810 | 2.750-10 | 3.500 | 6.062 | EY 6.5-4-1901 |
| 2 | 1810 | 2.750-10 | 3.500 | 6.062 | EY 6.5-4-1901-1 |
| 3 | SPL170 | 2.500-10 | 3.500 | 5.188 | EY 170-4-1341-1 |
| 3 | SPL250 | 2.500-10 | 3.500 | 5.500 | EY 250-4-701-1 |
| 3 | 1710 | 2.500-10 | 3.500 | 5.156 | EY 6-4-4421 |
| 3 | 1710 | 2.500-10 | 3.500 | 5.156 | EY 6-4-4421-1 |

| Pos | Series | Spline Data | Hub Dia | * to End of Hub | End Fitting Part Number |
|-----|--------|-------------|---------|-----------------|-------------------------|
|-----|--------|-------------|---------|-----------------|-------------------------|

TC-1702 (Continued)

| | | | | | |
|---|------|----------|-------|-------|-----------------|
| 3 | 1760 | 2.500-10 | 3.500 | 5.406 | EY 6.3-4-151-1 |
| 3 | 1810 | 2.500-10 | 3.500 | 5.406 | EY 6.5-4-2101 |
| 3 | 1810 | 2.500-10 | 3.500 | 5.406 | EY 6.5-4-2101-1 |

203, 205

| | | | | | |
|---|------|----------|-------|-------|---------------|
| 1 | 1310 | 1.400-32 | 2.125 | 3.438 | EY 2-4-4191-1 |
| 1 | 1350 | 1.401-32 | 2.125 | 3.500 | EY 3-4-6211-1 |
| 2 | 1310 | 1.326-30 | 1.750 | 3.375 | EY 2-4-5421X |

MACK

TC15, TC25

| | | | | | |
|---|--------|----------|-------|-------|------------------|
| 1 | SPL170 | 2.500-10 | 3.500 | 5.188 | EY 170-4-1341-1 |
| 1 | SPL170 | 2.500-10 | 3.500 | 5.188 | EY 170-4-1351-1X |
| 1 | SPL250 | 2.500-10 | 3.500 | 5.500 | EY 250-4-701-1 |
| 1 | SPL250 | 2.500-10 | 3.500 | 5.500 | EY 250-4-711-1X |
| 1 | 1710 | 2.500-10 | 3.500 | 5.156 | EY 6-4-4421 |
| 1 | 1710 | 2.500-10 | 3.500 | 5.156 | EY 6-4-4421-1 |
| 1 | 1710 | 2.500-10 | 3.500 | 5.156 | EY 6-4-8351-1X |
| 1 | 1760 | 2.500-10 | 3.500 | 5.406 | EY 6.3-4-1401-1X |
| 1 | 1760 | 2.500-10 | 3.500 | 5.406 | EY 6.3-4-1401X |
| 1 | 1760 | 2.500-10 | 3.500 | 5.406 | EY 6.3-4-151 |
| 1 | 1760 | 2.500-10 | 3.500 | 5.406 | EY 6.3-4-151-1 |
| 1 | 1810 | 2.500-10 | 3.500 | 5.406 | EY 6.5-4-2101 |
| 1 | 1810 | 2.500-10 | 3.500 | 5.406 | EY 6.5-4-2101-1 |
| 1 | 1810 | 2.500-10 | 3.500 | 5.406 | EY 6.5-4-2101-1X |
| 1 | 1810 | 2.500-10 | 3.500 | 5.406 | EY 6.5-4-4291X |
| 2 | SPL170 | 2.500-10 | 3.500 | 5.188 | EY 170-4-1341-1 |
| 2 | SPL250 | 2.500-10 | 3.500 | 5.500 | EY 250-4-701-1 |
| 2 | 1710 | 2.500-10 | 3.500 | 5.156 | EY 6-4-4421 |
| 2 | 1710 | 2.500-10 | 3.500 | 5.156 | EY 6-4-4421-1 |
| 2 | 1760 | 2.500-10 | 3.500 | 5.406 | EY 6.3-4-151 |
| 2 | 1760 | 2.500-10 | 3.500 | 5.406 | EY 6.3-4-151-1 |
| 2 | 1810 | 2.500-10 | 3.500 | 5.406 | EY 6.5-4-2101 |
| 2 | 1810 | 2.500-10 | 3.500 | 5.406 | EY 6.5-4-2101-1 |
| 3 | 1710 | 2.260-6 | 3.250 | 5.300 | EY 6-4-3501-1 |
| 3 | 1710 | 2.260-6 | 3.250 | 5.300 | EY 6-4-8291-1X |

NEW PROCESS

203, 205

| | | | | | |
|---|------|----------|-------|-------|--------------|
| 2 | 1310 | 1.326-30 | 1.750 | 3.375 | EY 2-4-5421X |
|---|------|----------|-------|-------|--------------|

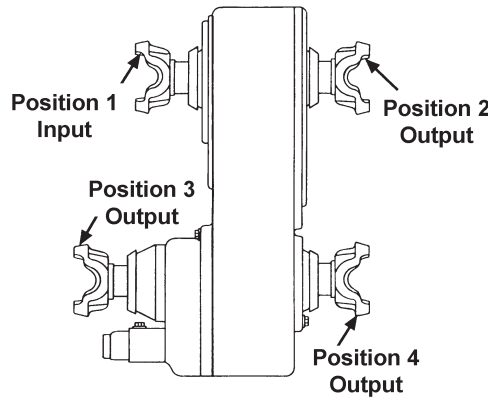
208

| | | | | | |
|---|------|----------|-------|-------|-------------|
| 1 | 1310 | 1.401-32 | 1.875 | 3.875 | EY 2-4-5341 |
| 1 | 1330 | 1.401-32 | 1.875 | 3.875 | EY 2-4-5441 |

*C/L to End of Hub for EY (End Yoke); Flange Face to End of Hub for CF (Companion Flange)

■ Hub machined for speedometer gear





| Pos | Series | Spline Data | Hub Dia | * to End of Hub | End Fitting Part Number |
|-----|--------|-------------|---------|-----------------|-------------------------|
|-----|--------|-------------|---------|-----------------|-------------------------|

OSHKOSH

| | | | | | |
|--------------|------|----------|-------|-------|----------------|
| 30000 | | | | | |
| 1 | 1710 | 2.390-46 | 3.250 | 5.125 | EY 6-4-9531-1X |

MERITOR/ROCKWELL

| | | | | | |
|---------------------|------|----------|-------|-------|---------------|
| T-131, T-142 | | | | | |
| 2 | 1410 | 1.375-10 | 1.938 | 3.688 | EY 3-4-1481-1 |

| | | | | | |
|--------------|-----------|----------|-------|-------|---------------|
| T-221 | | | | | |
| 2 | 1280/1310 | 1.250-10 | 1.750 | 3.625 | EY 2-4-1831 |
| 2 | 1350 | 1.250-10 | 1.750 | 3.500 | EY 3-4-3761-1 |

| | | | | | |
|--------------|-----------|----------|-------|-------|----------------|
| T-223 | | | | | |
| 1 | 1480 | 1.500-10 | 2.125 | 4.250 | EY 3-4-6251 |
| 1 | 1480 | 1.500-10 | 2.125 | 4.250 | EY 3-4-6261X |
| 2 | 1350/1410 | 1.750-10 | 2.250 | 2.812 | CF 3-1-3211 |
| 2 | 1410 | 1.750-10 | 2.250 | 4.188 | EY 3-4-3351 |
| 2 | 1480 | 1.750-10 | 2.250 | 4.250 | EY 3-4-6231-1 |
| 2 | 1480 | 1.750-10 | 2.250 | 4.250 | EY 3-4-6241-1X |
| 3 | 1480 | 1.500-10 | 2.125 | 4.250 | EY 3-4-6251 |
| 3 | 1480 | 1.500-10 | 2.125 | 4.250 | EY 3-4-6261X |
| 4 | 1480 | 1.750-10 | 2.250 | 4.250 | EY 3-4-6231-1 |
| 4 | 1480 | 1.750-10 | 2.250 | 4.250 | EY 3-4-6241-1X |

| | | | | | |
|--------------|------|----------|-------|-------|-------------|
| T-226 | | | | | |
| 2 | 1480 | 2.000-10 | 2.938 | 3.625 | CF 4-1-2361 |
| 2 | 1610 | 2.000-10 | 2.938 | 3.625 | CF 5-1-3161 |
| 2 | 1610 | 2.000-10 | 2.938 | 5.625 | EY 5-4-1391 |
| 2 | 1610 | 2.000-10 | 2.938 | 5.000 | EY 5-4-1521 |
| 2 | 1710 | 2.000-10 | 2.938 | 5.625 | EY 6-4-2191 |

| | | | | | |
|--------------|-----------|----------|-------|-------|---|
| T-228 | | | | | |
| 1 | 1650/1710 | 2.250-10 | 3.000 | 3.750 | CF 6-1-1421 <i>.250 deep counterbore at hub end</i> |
| 1 | 1810 | 2.250-10 | 3.000 | 3.750 | CF 6.5-1-211 <i>.250 deep counterbore at hub end</i> |
| 1 | 1610 | 2.250-10 | 3.000 | 5.625 | EY 5-4-6891X |
| 1 | 1710 | 2.250-10 | 3.000 | 6.062 | EY 6-4-1991 |
| 1 | 1710 | 2.250-10 | 3.000 | 6.062 | EY 6-4-1991-1 |
| 1 | 1710 | 2.250-10 | 3.000 | 6.062 | EY 6-4-4411-1X |
| 1 | 1710 | 2.250-10 | 3.000 | 6.062 | EY 6-4-4411X |
| 1 | 1710 | 2.250-10 | 3.000 | 7.188 | EY 6-4-6891X <i>High angle yoke</i> |
| 1 | 1760 | 2.250-10 | 3.000 | 5.844 | EY 6.3-4-731-1X |
| 1 | 1760 | 2.250-10 | 3.000 | 5.844 | EY 6.3-4-731X |
| 1 | 1810 | 2.250-10 | 3.000 | 5.844 | EY 6.5-4-1911 |
| 2 | 1710 | 2.000-10 | 2.938 | 5.625 | EY 6-4-2191 |

W/mechanical speedo pickup

| Pos | Series | Spline Data | Hub Dia | * to End of Hub | End Fitting Part Number |
|-----|--------|-------------|---------|-----------------|-------------------------|
|-----|--------|-------------|---------|-----------------|-------------------------|

MERITOR/ROCKWELL

| | | | | | |
|---------------|------|----------|-------|-------|-------------|
| T-77-3 | | | | | |
| 2 | 1480 | 2.000-10 | 2.938 | 3.625 | CF 4-1-2361 |
| 2 | 1610 | 2.000-10 | 2.938 | 3.625 | CF 5-1-3161 |
| 2 | 1610 | 2.000-10 | 2.938 | 5.625 | EY 5-4-1391 |
| 2 | 1610 | 2.000-10 | 2.938 | 5.000 | EY 5-4-1521 |
| 2 | 1710 | 2.000-10 | 2.938 | 5.625 | EY 6-4-2191 |

SPICER®

| | | | | | |
|---------------|------|----------|-------|-------|----------------|
| 18, 20 | | | | | |
| 1 | 1310 | 1.125-10 | 1.552 | 3.000 | EY 2-4-2851-1X |
| 2 | 1310 | 1.125-10 | 1.552 | 3.000 | EY 2-4-2851-1X |
| 3 | 1310 | 1.125-10 | 1.552 | 3.000 | EY 2-4-2851-1X |

| | | | | | |
|---------------|-----------|----------|-------|-------|---|
| 23, 24 | | | | | |
| 1 | 1350/1410 | 1.375-10 | 2.125 | 2.438 | CF 3-1-2011 |
| 1 | 1310 | 1.375-10 | 2.125 | 3.438 | EY 2-4-1731 <i>Hub diameter not ground</i> |
| 2 | 1310 | 1.375-10 | 2.125 | 3.438 | EY 2-4-1731 <i>Hub diameter not ground</i> |
| 3 | 1310 | 1.375-10 | 2.125 | 3.438 | EY 2-4-1731 <i>Hub diameter not ground</i> |

| | | | | | |
|------------|------|----------|-------|-------|--------------|
| 300 | | | | | |
| 1 | 1310 | 1.146-26 | 1.554 | 2.594 | CF 2-1-1881X |
| 2 | 1310 | 1.146-26 | 1.554 | 2.594 | CF 2-1-1881X |
| 3 | 1310 | 1.146-26 | 1.554 | 2.594 | CF 2-1-1881X |

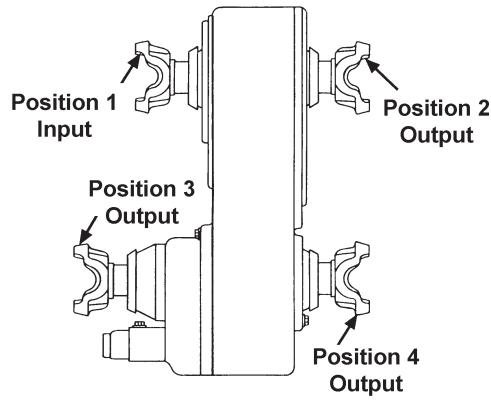
| | | | | | |
|--|-----------|---------|-------|-------|-----------------|
| 738-B, 738-C, 738-D, 738-E, 739-A | | | | | |
| 1 | 1610 | 2.225-6 | 3.000 | 3.875 | CF 5-1-2541 |
| 1 | 1650/1710 | 2.225-6 | 3.000 | 3.750 | CF 6-1-1731 |
| 1 | 1810 | 2.225-6 | 3.000 | 3.750 | CF 6.5-1-481 |
| 1 | 1610 | 2.225-6 | 3.000 | 5.719 | EY 5-4-4751X |
| 1 | 1710 | 2.225-6 | 3.000 | 5.312 | EY 6-4-3041X |
| 1 | 1760 | 2.225-6 | 3.000 | 6.000 | EY 6.3-4-171-1X |
| 1 | 1760 | 2.225-6 | 3.000 | 6.000 | EY 6.3-4-171X |
| 2 | 1610 | 2.225-6 | 3.000 | 3.875 | CF 5-1-2541 |
| 2 | 1650/1710 | 2.225-6 | 3.000 | 3.750 | CF 6-1-1731 |
| 2 | 1810 | 2.225-6 | 3.000 | 3.750 | CF 6.5-1-481 |
| 2 | 1610 | 2.225-6 | 3.000 | 5.719 | EY 5-4-4751X |
| 2 | 1710 | 2.225-6 | 3.000 | 5.312 | EY 6-4-3041X |
| 2 | 1760 | 2.225-6 | 3.000 | 6.000 | EY 6.3-4-171-1X |
| 2 | 1760 | 2.225-6 | 3.000 | 6.000 | EY 6.3-4-171X |
| 3 | 1610 | 2.225-6 | 3.000 | 3.875 | CF 5-1-2541 |

Continued on next page

*C/L to End of Hub for EY (End Yoke); Flange Face to End of Hub for CF (Companion Flange)

■ Hub machined for speedometer gear





| Pos | Series | Spline Data | Hub Dia | * to End of Hub | End Fitting Part Number |
|-----|--------|-------------|---------|-----------------|-------------------------|
|-----|--------|-------------|---------|-----------------|-------------------------|

| Pos | Series | Spline Data | Hub Dia | * to End of Hub | End Fitting Part Number |
|-----|--------|-------------|---------|-----------------|-------------------------|
|-----|--------|-------------|---------|-----------------|-------------------------|

738-B, 738-C, 738-D, 738-E, 739-A (Continued)

| | | | | | |
|---|-----------|---------|-------|-------|-----------------|
| 3 | 1650/1710 | 2.225-6 | 3.000 | 3.750 | CF 6-1-1731 |
| 3 | 1810 | 2.225-6 | 3.000 | 3.750 | CF 6.5-1-481 |
| 3 | 1610 | 2.225-6 | 3.000 | 5.719 | EY 5-4-4751X |
| 3 | 1710 | 2.225-6 | 3.000 | 5.312 | EY 6-4-3041X |
| 3 | 1760 | 2.225-6 | 3.000 | 6.000 | EY 6.3-4-171-1X |
| 3 | 1760 | 2.225-6 | 3.000 | 6.000 | EY 6.3-4-171X |
| 4 | 1610 | 2.225-6 | 3.000 | 3.875 | CF 5-1-2541 |
| 4 | 1650/1710 | 2.225-6 | 3.000 | 3.750 | CF 6-1-1731 |
| 4 | 1810 | 2.225-6 | 3.000 | 3.750 | CF 6.5-1-481 |
| 4 | 1610 | 2.225-6 | 3.000 | 5.719 | EY 5-4-4751X |
| 4 | 1710 | 2.225-6 | 3.000 | 5.312 | EY 6-4-3041X |
| 4 | 1760 | 2.225-6 | 3.000 | 6.000 | EY 6.3-4-171-1X |
| 4 | 1760 | 2.225-6 | 3.000 | 6.000 | EY 6.3-4-171X |

*C/L to End of Hub for EY (End Yoke); Flange Face to End of Hub for CF (Companion Flange)

■ Hub machined for speedometer gear



| Part Number | Series | Splines Data | | Ground Hub Dia. | Length Thru Hole | *C/L to End of Hub |
|-------------|--------|--------------|-----------|-----------------|------------------|--------------------|
| | | O.D. | No. Teeth | | | |
| 2-1-1881X | 1310 | 1.146 | 26 | 1.554 | 1.500 | 2.594 |
| 3-1-1151 | 1350 | 1.500 | 10 | 2.125 | 2.000 | 2.562 |
| 3-1-1521 | 1350 | 1.750 | 10 | 2.625 | 2.250 | 3.125 |
| 3-1-2011 | 1350 | 1.375 | 10 | 2.125 | 2.000 | 2.438 |
| 3-1-2311 | 1410 | 1.375 | 10 | 2.125 | 2.000 | 2.516 |
| 3-1-2431 | 1410 | 1.500 | 10 | 2.125 | 2.000 | 2.438 |
| 3-1-3191 | 1350 | 1.500 | 10 | 2.250 | 2.000 | 2.375 |
| 3-1-3211 | 1350 | 1.750 | 10 | 2.250 | 2.188 | 2.812 |
| 3-1-3431 | 1350 | 1.500 | 10 | 2.000 | 2.188 | 2.906 |
| 3-1-3531 | 1350 | 1.625 | 10 | 2.375 | 2.125 | 3.000 |
| 3-1-3881 | 1350 | 1.375 | 10 | 1.750 | 1.688 | 2.250 |
| 3-1-4041X | 1350 | 1.276 | 29 | 1.875 | 1.500 | 2.062 |
| 3-1-751 | 1350 | 1.375 | 10 | 2.125 | 2.000 | 2.438 |
| 4-1-1381 | 1480 | 1.750 | 10 | 2.250 | 2.000 | 2.750 |
| 4-1-2361 | 1480 | 2.000 | 10 | 2.938 | 3.000 | 3.625 |
| 4-1-2661 | 1480 | 1.960 | 10 | 2.750 | 2.625 | 3.375 |
| 4-1-2701 | 1480 | 1.500 | 10 | 2.125 | 2.000 | 2.625 |
| 4-1-2751 | 1480 | 1.625 | 10 | 2.375 | 2.125 | 2.750 |
| 4-1-3101 | 1480 | 1.750 | 10 | 2.625 | 2.250 | 2.875 |
| 4-1-3171 | 1480 | 1.750 | 10 | 2.375 | 2.188 | 2.812 |
| 4-1-3331X | 1480 | 1.750 | 10 | 2.500 | 2.250 | 2.875 |
| 4-1-3441 | 1480 | 1.500 | 10 | 2.250 | 2.000 | 2.500 |
| 4-1-3761 | 1480 | 1.964 | 10 | 2.500 | 2.250 | 3.000 |
| 4-1-3781 | 1480 | 2.000 | 10 | 2.750 | 3.000 | 3.625 |
| 4-1-3891 | 1480 | 1.750 | 10 | 2.500 | 2.250 | 3.000 |
| 4-1-4471 | 1480 | 1.790 | 34 | 2.562 | 2.750 | 3.344 |
| 4-1-4481X | 1480 | 1.790 | 34 | 2.562 | 2.750 | 3.344 |
| 4-1-4491 | 1480 | 1.790 | 34 | 2.562 | 2.750 | 3.344 |
| 4-1-4501X | 1480 | 1.790 | 34 | 2.562 | 2.750 | 3.344 |
| 4-1-5021 | 1480 | 1.998 | 38 | 2.750 | 2.125 | 2.875 |
| 4-1-5131 | 1480 | 1.750 | 10 | 2.500 | 1.938 | 2.734 |
| 4-1-5211X | 1480 | 1.750 | 10 | 2.500 | 2.000 | 3.547 |
| 4-1-601 | 1480 | 1.961 | 06 | 2.750 | 3.000 | 3.625 |
| 4-1-6051X | 1480 | 1.998 | 38 | 2.750 | 2.062 | 3.875 |
| 4-1-7001 | 1480 | 1.750 | 10 | 2.500 | 2.000 | 3.547 |
| 5-1-2541 | 1610 | 2.225 | 06 | 3.000 | 3.250 | 3.875 |
| 5-1-3141 | 1610 | 2.000 | 10 | 2.750 | 3.000 | 3.625 |
| 5-1-3161 | 1610 | 2.000 | 10 | 2.938 | 3.000 | 3.625 |
| 5-1-4291 | 1610 | 1.964 | 10 | 2.500 | 2.250 | 3.000 |
| 5-1-4301 | 1610 | 1.962 | 10 | 2.500 | 2.625 | 3.250 |
| 5-1-5111 | 1610 | 1.790 | 34 | 2.562 | 2.781 | 3.938 |
| 5-1-5121X | 1610 | 1.790 | 34 | 2.562 | 2.781 | 3.938 |
| 5-1-5141 | 1610 | 1.790 | 34 | 2.562 | 2.750 | 4.250 |
| 5-1-5151X | 1610 | 1.790 | 34 | 2.562 | 2.750 | 4.250 |
| 5-1-6271 | 1610 | 1.998 | 38 | 2.750 | 2.125 | 4.688 |
| 5-1-6331 | 1610 | 2.250 | 10 | 3.500 | 3.000 | 3.625 |
| 5-1-6471X | 1610 | 1.998 | 38 | 2.750 | 2.125 | 4.688 |
| 5-1-6691 | 1610 | 2.114 | 32 | 3.000 | 2.245 | 2.844 |
| 5-1-6701X | 1610 | 2.114 | 32 | 3.000 | 2.245 | 2.844 |
| 5-1-811 | 1610 | 1.750 | 10 | 2.625 | 2.250 | 2.875 |
| 5-1-931 | 1610 | 2.000 | 10 | 3.250 | 3.000 | 3.625 |
| 5008460 | 1610 | 2.544 | 49 | 3.818 | 2.125 | 3.130 |
| 5009516 | 1610 | 2.024 | 39 | 2.875 | 2.438 | 3.375 |
| 6.5-1-151 | 1810 | 2.250 | 10 | 3.500 | 3.000 | 3.688 |
| 6.5-1-1801 | 1810 | 2.364 | 18 | 3.500 | 3.375 | 4.031 |

| Part Number | Series | Splines Data | | Ground Hub Dia. | Length Thru Hole | *C/L to End of Hub |
|-------------|--------|--------------|-----------|-----------------|------------------|--------------------|
| | | O.D. | No. Teeth | | | |
| 6.5-1-1871 | 1810 | 2.750 | 10 | 4.000 | 2.938 | 3.750 |
| 6.5-1-211 | 1810 | 2.250 | 10 | 3.000 | 3.000 | 3.750 |
| 6.5-1-2161 | 1810 | 2.560 | 20 | 3.500 | 3.344 | 4.000 |
| 6.5-1-2271 | 1810 | 2.500 | 10 | 3.750 | 3.000 | 3.625 |
| 6.5-1-2301 | 1810 | 2.364 | 18 | 2.750 | 2.328 | 3.000 |
| 6.5-1-2311 | 1810 | 2.750 | 10 | 3.750 | 3.000 | 4.062 |
| 6.5-1-2351X | 1810 | 2.500 | 10 | 3.750 | 3.000 | 3.625 |
| 6.5-1-2361X | 1810 | 2.750 | 10 | 3.750 | 3.000 | 4.062 |
| 6.5-1-2391 | 1810 | 2.274 | 44 | 2.938 | 2.500 | 3.094 |
| 6.5-1-2401X | 1810 | 2.274 | 44 | 2.938 | 2.500 | 3.094 |
| 6.5-1-2441 | 1810 | 2.374 | 46 | 3.750 | 2.391 | 3.109 |
| 6.5-1-2941 | 1810 | 2.143 | 41 | 2.939 | 2.495 | 3.500 |
| 6.5-1-481 | 1810 | 2.225 | 06 | 3.000 | 3.250 | 3.750 |
| 6.5-1-741 | 1810 | 2.750 | 10 | 3.500 | 3.000 | 4.062 |
| 6-1-1421 | 1710 | 2.250 | 10 | 3.000 | 3.000 | 3.750 |
| 6-1-1461 | 1710 | 1.960 | 10 | 2.750 | 2.625 | 3.312 |
| 6-1-1481 | 1710 | 2.225 | 06 | 3.000 | 3.250 | 4.469 |
| 6-1-1731 | 1710 | 2.225 | 06 | 3.000 | 3.250 | 3.750 |
| 6-1-1761 | 1710 | 1.750 | 10 | 2.750 | 2.250 | 2.938 |
| 6-1-2221 | 1710 | 2.000 | 10 | 2.750 | 3.000 | 3.688 |
| 6-1-4541 | 1710 | 2.364 | 18 | 3.500 | 3.375 | 4.031 |
| 6-1-4571 | 1710 | 2.351 | 16 | 3.750 | 2.750 | 3.000 |
| 6-1-4671 | 1710 | 2.390 | 46 | 3.500 | 3.375 | 4.547 |
| 6-1-4691 | 1710 | 1.790 | 34 | 2.562 | 2.688 | 3.903 |
| 6-1-4701X | 1710 | 1.790 | 34 | 2.562 | 2.688 | 3.903 |
| 6-1-5541 | 1710 | 2.500 | 10 | 3.750 | 3.000 | 3.625 |
| 6-1-5651X | 1710 | 2.500 | 10 | 3.750 | 3.000 | 3.625 |
| 6-1-951 | 1710 | 2.250 | 10 | 3.500 | 3.000 | 3.688 |
| 90-1-11 | SPL90 | 1.790 | 34 | 2.562 | 2.750 | 3.719 |
| 90-1-21X | SPL90 | 1.790 | 34 | 2.562 | 2.750 | 3.719 |

PART DATA LISTING

| Part Number | Series | Splines Data | | Ground Hub Dia. | Length Thru Hole | *C/L to End of Hub |
|----------------|--------|--------------|-----------|-----------------|------------------|--------------------|
| | | O.D. | No. Teeth | | | |
| 100-4-02875-1X | SPL100 | 2.143 | 41 | 3.000 | 2.166 | 4.310 |
| 100-4-06608-1X | SPL100 | 2.024 | 39 | 3.000 | 1.817 | 4.150 |
| 100-4-07842-1 | SPL100 | 1.790 | 34 | 3.000 | 1.812 | 6.063 |
| 100-4-1051-1 | SPL100 | 2.143 | 41 | 2.938 | 2.500 | 4.562 |
| 100-4-1061-1X | SPL100 | 2.143 | 41 | 2.938 | 2.500 | 4.562 |
| 100-4-1071-1 | SPL100 | 2.024 | 39 | 2.625 | 2.245 | 4.160 |
| 100-4-1081-1X | SPL100 | 2.024 | 39 | 2.625 | 2.245 | 4.160 |
| 100-4-1321-1 | SPL100 | 2.024 | 39 | 2.625 | 2.245 | 7.295 |
| 100-4-1331-1X | SPL100 | 2.024 | 39 | 2.625 | 2.245 | 7.295 |
| 100-4-1341-1 | SPL100 | 1.790 | 34 | 3.001 | 2.170 | 6.547 |
| 100-4-1351-1X | SPL100 | 1.790 | 34 | 3.001 | 2.170 | 6.547 |
| 100-4-1371-1X | SPL100 | 2.024 | 39 | 3.000 | 2.269 | 7.295 |
| 100-4-1381-1X | SPL90 | 2.281 | 44 | 2.938 | 2.344 | 4.469 |
| 100-4-1431-1X | SPL90 | 2.024 | 39 | 3.000 | 2.281 | 4.750 |
| 100-4-1451-1X | SPL100 | 2.024 | 39 | 3.000 | 2.250 | 6.062 |
| 100-4-1471-1X | SPL100 | 2.173 | 26 | 3.068 | 1.812 | 4.330 |
| 100-4-951-1 | SPL100 | 2.024 | 39 | 3.000 | 2.284 | 4.750 |
| 100-4-961-1X | SPL100 | 2.024 | 39 | 3.000 | 2.284 | 4.750 |
| 131433K | SPL170 | 2.544 | 49 | 3.818 | 2.125 | 5.531 |
| 131434K | SPL170 | 2.544 | 49 | 3.818 | 2.125 | 6.260 |
| 131435K | SPL250 | 2.544 | 49 | 3.819 | 2.126 | 5.830 |
| 131437K | 1710 | 2.544 | 49 | 3.819 | 2.125 | 5.570 |
| 131438K | 1710 | 2.544 | 49 | 3.819 | 2.125 | 6.260 |
| 131439K | 1710 | 2.544 | 49 | 3.819 | 2.125 | 6.260 |
| 131440K | 1760 | 2.544 | 49 | 3.818 | 2.125 | 5.200 |
| 131441K | 1760 | 2.544 | 49 | 3.818 | 2.125 | 5.200 |
| 131442K | 1710 | 2.544 | 49 | 3.819 | 2.125 | 5.570 |
| 131443K | 1810 | 2.544 | 49 | 3.818 | 2.141 | 5.740 |
| 131444K | 1810 | 2.544 | 49 | 3.818 | 2.141 | 5.740 |
| 131446K | SPL250 | 2.544 | 49 | 3.819 | 2.672 | 6.200 |
| 131447K | 1810 | 2.544 | 49 | 3.820 | 2.692 | 5.740 |
| 131448K | 1810 | 2.544 | 49 | 3.819 | 2.677 | 5.740 |
| 131449K | 1710 | 2.143 | 41 | 2.938 | 3.000 | 6.620 |
| 131450K | 1710 | 2.143 | 41 | 2.938 | 3.000 | 6.620 |
| 131451K | SPL170 | 2.143 | 41 | 2.938 | 3.000 | 7.190 |
| 131519K | 1710 | 2.544 | 49 | 3.819 | 2.677 | 6.050 |
| 131520K | 1760 | 2.544 | 49 | 3.819 | 2.677 | 6.050 |
| 131530K | 1710 | 2.544 | 49 | 3.819 | 2.677 | 6.050 |
| 132863K | SPL170 | 2.544 | 49 | 3.820 | 2.682 | 6.040 |
| 132931K | SPL170 | 2.544 | 49 | 3.820 | 2.675 | 6.812 |
| 140-4-03557-1X | SPL140 | 2.390 | 46 | 3.250 | 2.323 | 5.660 |
| 140-4-07494X | SPL140 | 2.024 | 39 | 3.000 | 1.817 | 4.470 |
| 140-4-1021-1 | SPL140 | 1.998 | 38 | 2.750 | 2.125 | 7.728 |
| 140-4-1091-1 | SPL140 | 2.250 | 10 | 3.500 | 3.000 | 6.000 |
| 140-4-1101-1X | SPL140 | 2.250 | 10 | 3.500 | 3.000 | 6.000 |
| 140-4-111-1 | SPL140 | 1.998 | 38 | 2.750 | 2.125 | 4.830 |
| 140-4-1111-1 | SPL140 | 2.500 | 10 | 3.750 | 3.000 | 5.960 |
| 140-4-1121-1X | SPL140 | 2.500 | 10 | 3.750 | 3.000 | 5.960 |
| 140-4-1131-1 | SPL140 | 1.998 | 38 | 2.750 | 2.125 | 4.830 |
| 140-4-1151-1 | SPL140 | 2.024 | 39 | 3.000 | 2.284 | 4.940 |
| 140-4-1161-1X | SPL140 | 2.024 | 39 | 3.000 | 2.284 | 4.940 |
| 140-4-1191-1 | SPL140 | 2.274 | 44 | 2.938 | 2.344 | 5.190 |
| 140-4-1201-1X | SPL140 | 2.274 | 44 | 2.938 | 2.344 | 5.190 |
| 140-4-1231-1 | SPL140 | 2.178 | 43 | 3.541 | 2.047 | 5.100 |
| 140-4-1261-1 | SPL140 | 2.274 | 44 | 3.000 | 2.500 | 5.160 |

| Part Number | Series | Splines Data | | Ground Hub Dia. | Length Thru Hole | *C/L to End of Hub |
|----------------|--------|--------------|-----------|-----------------|------------------|--------------------|
| | | O.D. | No. Teeth | | | |
| 140-4-1271-1X | SPL140 | 2.274 | 44 | 3.000 | 2.500 | 5.160 |
| 140-4-141-1 | SPL140 | 2.544 | 49 | 3.750 | 3.000 | 5.570 |
| 140-4-1421-1 | SPL140 | 2.024 | 39 | 2.750 | 2.435 | 5.250 |
| 140-4-1431-1X | SPL140 | 2.024 | 39 | 2.750 | 2.435 | 5.250 |
| 140-4-151-1X | SPL140 | 2.544 | 49 | 3.750 | 3.000 | 5.570 |
| 140-4-1601-1 | SPL140 | 2.024 | 39 | 2.768 | 2.244 | 7.587 |
| 140-4-1611-1X | SPL140 | 2.024 | 39 | 2.768 | 2.244 | 7.587 |
| 140-4-1641-1X | SPL140 | 2.024 | 39 | 3.000 | 2.280 | 6.250 |
| 140-4-181-1 | SPL140 | 1.962 | 10 | 2.750 | 2.805 | 5.810 |
| 140-4-201-1 | SPL140 | 2.794 | 54 | | 2.745 | 6.320 |
| 140-4-211-1 | SPL140 | 2.024 | 39 | 3.000 | 2.312 | 5.680 |
| 140-4-231-1X | SPL140 | 2.024 | 39 | 3.000 | 2.312 | 5.680 |
| 140-4-241-1X | SPL140 | 2.024 | 39 | 3.000 | 2.312 | 5.680 |
| 140-4-251-1 | SPL140 | 1.774 | 34 | 2.500 | 2.500 | 4.950 |
| 140-4-261-1X | SPL140 | 1.774 | 34 | 2.500 | 2.500 | 4.950 |
| 140-4-271-1 | SPL140 | 2.374 | 46 | 3.250 | 2.875 | 6.210 |
| 140-4-291-1X | SPL140 | 2.374 | 46 | 3.250 | 2.875 | 6.210 |
| 140-4-301-1 | SPL140 | 2.390 | 46 | 3.250 | 2.323 | 5.660 |
| 140-4-311-1X | SPL140 | 2.390 | 46 | 3.250 | 2.323 | 5.660 |
| 140-4-321-1 | SPL140 | 2.274 | 44 | 3.000 | 2.500 | 5.160 |
| 140-4-331-1X | SPL140 | 2.274 | 44 | 3.000 | 2.500 | 5.160 |
| 140-4-361-1 | SPL140 | 2.024 | 39 | 3.000 | 2.284 | 4.940 |
| 140-4-371-1X | SPL140 | 2.024 | 39 | 3.000 | 2.284 | 4.940 |
| 140-4-381-1 | SPL140 | 2.390 | 46 | 3.375 | 3.195 | 6.440 |
| 140-4-391-1X | SPL140 | 2.390 | 46 | 3.375 | 3.195 | 6.440 |
| 140-4-41-1 | SPL140 | 2.500 | 10 | 3.750 | 3.000 | 5.960 |
| 140-4-421-1 | SPL140 | 2.143 | 41 | 2.938 | 2.500 | 5.560 |
| 140-4-431-1X | SPL140 | 2.143 | 41 | 2.938 | 2.500 | 5.560 |
| 140-4-441-1 | SPL140 | 2.274 | 44 | 2.938 | 2.350 | 5.190 |
| 140-4-451-1X | SPL140 | 2.274 | 44 | 2.938 | 2.350 | 5.190 |
| 140-4-461-1 | SPL140 | 1.790 | 34 | 2.625 | 2.188 | 4.870 |
| 140-4-471-1X | SPL140 | 1.790 | 34 | 2.625 | 2.188 | 4.870 |
| 140-4-491-1 | SPL140 | 2.024 | 39 | 2.625 | 2.245 | 4.940 |
| 140-4-501-1X | SPL140 | 2.024 | 39 | 2.625 | 2.245 | 4.940 |
| 140-4-51-1X | SPL140 | 2.500 | 10 | 3.750 | 3.000 | 5.960 |
| 140-4-551-1 | SPL140 | 2.024 | 39 | 2.625 | 2.250 | 5.030 |
| 140-4-561-1X | SPL140 | 2.024 | 39 | 2.625 | 2.250 | 5.030 |
| 140-4-61-1 | SPL140 | 2.750 | 10 | 3.750 | 3.000 | 6.570 |
| 140-4-71-1X | SPL140 | 2.750 | 10 | 3.750 | 3.000 | 6.570 |
| 140-4-741-1X | SPL140 | 1.790 | 34 | 2.564 | 2.755 | 5.720 |
| 140-4-751-1 | SPL140 | 2.390 | 46 | 3.500 | 3.375 | 5.920 |
| 140-4-761-1 | SPL140 | 2.178 | 43 | 3.539 | 2.050 | 5.100 |
| 140-4-771-1 | SPL140 | 2.795 | 55 | 4.725 | 2.047 | 4.980 |
| 140-4-81-1 | SPL140 | 2.750 | 10 | 3.750 | 3.000 | 6.570 |
| 140-4-881-1 | SPL140 | 2.544 | 49 | 4.000 | 2.750 | 6.060 |
| 140-4-891-1 | SPL140 | 1.998 | 38 | 2.750 | 2.125 | 4.730 |
| 140-4-901-1 | SPL140 | 1.998 | 38 | 3.000 | 2.125 | 4.680 |
| 140-4-91-1X | SPL140 | 2.750 | 10 | 3.750 | 3.000 | 6.570 |
| 140-4-911-1X | SPL140 | 1.998 | 38 | 3.000 | 2.125 | 4.680 |
| 140-4-921-1 | SPL140 | 2.114 | 32 | 3.000 | 2.250 | 4.810 |
| 140-4-931-1X | SPL140 | 2.114 | 32 | 3.000 | 2.250 | 4.810 |
| 170-4-03558-1X | SPL170 | 2.390 | 46 | 3.250 | 2.328 | 5.100 |
| 170-4-03559-1X | SPL170 | 2.390 | 46 | 3.250 | 2.328 | 6.438 |
| 170-4-08444-1X | SPL170 | 2.544 | 49 | 3.820 | 2.682 | 6.040 |
| 170-4-08448-1X | SPL170 | 2.143 | 41 | 2.938 | 3.000 | 7.190 |

| Part Number | Series | Spline Data | | Ground Hub Dia. | Length Thru Hole | *C/L to End of Hub |
|----------------|--------|-------------|-----------|-----------------|------------------|--------------------|
| | | O.D. | No. Teeth | | | |
| 170-4-08451-1X | SPL170 | 2.544 | 49 | 3.818 | 2.125 | 6.260 |
| 170-4-08458-1X | SPL170 | 2.544 | 49 | 3.820 | 2.125 | 5.531 |
| 170-4-08461-1X | SPL170 | 2.544 | 49 | 3.820 | 2.675 | 6.810 |
| 170-4-08577-1X | SPL170 | 2.024 | 39 | 3.000 | 2.281 | 5.540 |
| 170-4-08578-1X | SPL170 | 2.024 | 39 | 2.625 | 2.500 | 5.750 |
| 170-4-09705-1X | SPL170 | 1.774 | 34 | 2.500 | 2.250 | 6.440 |
| 170-4-101-1X | SPL170 | 2.274 | 44 | 2.938 | 2.500 | 5.281 |
| 170-4-1011-1 | SPL170 | 2.364 | 36 | 3.000 | 2.685 | 5.470 |
| 170-4-1021-1X | SPL170 | 2.364 | 36 | 3.000 | 2.685 | 5.470 |
| 170-4-1031-1 | SPL170 | 2.364 | 36 | 3.500 | 2.485 | 5.270 |
| 170-4-1041-1X | SPL170 | 2.364 | 36 | 3.500 | 2.485 | 5.270 |
| 170-4-1061-1 | SPL170 | 2.364 | 18 | 3.500 | 3.375 | 6.350 |
| 170-4-1081-1 | SPL170 | 2.178 | 43 | 3.540 | 2.050 | 5.340 |
| 170-4-1091-1 | SPL170 | 2.795 | 55 | 4.725 | 2.047 | 5.200 |
| 170-4-1101-1 | SPL170 | 2.635 | 20 | 3.750 | 2.750 | 6.020 |
| 170-4-111-1 | SPL170 | 1.790 | 34 | 2.625 | 2.438 | 5.600 |
| 170-4-1111-1X | SPL170 | 2.635 | 20 | 3.750 | 2.750 | 6.020 |
| 170-4-1141-1 | SPL170 | 2.750 | 10 | 4.000 | 2.935 | 5.800 |
| 170-4-1161-1 | SPL170 | 2.544 | 49 | 4.000 | 2.750 | 6.050 |
| 170-4-1171-1 | SPL170 | 2.374 | 46 | 3.750 | 2.406 | 5.190 |
| 170-4-1191-1X | SPL170 | 2.374 | 46 | 3.750 | 2.406 | 5.190 |
| 170-4-121-1X | SPL170 | 1.790 | 34 | 2.625 | 2.438 | 5.600 |
| 170-4-1211-1 | SPL170 | 2.374 | 46 | 3.500 | 2.406 | 5.880 |
| 170-4-1221-1X | SPL170 | 2.374 | 46 | 3.500 | 2.406 | 5.880 |
| 170-4-1251-1 | SPL170 | 2.024 | 39 | 2.750 | 2.000 | 5.370 |
| 170-4-1261-1X | SPL170 | 2.024 | 39 | 2.750 | 2.000 | 5.370 |
| 170-4-1281-1 | SPL170 | 2.374 | 46 | 3.500 | 2.406 | 6.688 |
| 170-4-1291-1X | SPL170 | 2.374 | 46 | 3.500 | 2.406 | 6.688 |
| 170-4-1301-1 | SPL170 | 2.250 | 10 | 3.312 | 2.250 | 5.620 |
| 170-4-131-1 | SPL170 | 1.790 | 34 | 2.625 | 2.438 | 6.250 |
| 170-4-1311-1X | SPL170 | 2.250 | 10 | 3.312 | 2.250 | 5.620 |
| 170-4-1341-1 | SPL170 | 2.500 | 10 | 3.500 | 2.406 | 5.188 |
| 170-4-1351-1X | SPL170 | 2.500 | 10 | 3.500 | 2.406 | 5.188 |
| 170-4-141-1X | SPL170 | 1.790 | 34 | 2.625 | 2.438 | 6.250 |
| 170-4-1441-1 | SPL170 | 2.225 | 06 | 3.000 | 3.250 | 6.030 |
| 170-4-151-1 | SPL170 | 2.024 | 39 | 2.625 | 2.250 | 4.938 |
| 170-4-161-1X | SPL170 | 2.024 | 39 | 2.625 | 2.250 | 4.938 |
| 170-4-1621-1 | SPL170 | 2.024 | 39 | 3.000 | 2.281 | 6.240 |
| 170-4-1631-1X | SPL170 | 2.024 | 39 | 3.000 | 2.281 | 6.240 |
| 170-4-1641-1 | SPL170 | 2.024 | 39 | 2.625 | 2.500 | 6.500 |
| 170-4-1651-1X | SPL170 | 2.024 | 39 | 2.625 | 2.500 | 6.500 |
| 170-4-1661-1 | SPL170 | 2.274 | 44 | 3.000 | 2.500 | 5.270 |
| 170-4-1671-1X | SPL170 | 2.274 | 44 | 3.000 | 2.500 | 5.270 |
| 170-4-171-1 | SPL170 | 2.024 | 39 | 2.625 | 2.250 | 6.016 |
| 170-4-1751-1X | SPL170 | 1.774 | 34 | 2.500 | 2.250 | 5.031 |
| 170-4-181-1X | SPL170 | 2.024 | 39 | 2.625 | 2.250 | 6.016 |
| 170-4-1861-1X | SPL170 | 2.143 | 41 | 2.938 | 3.000 | 7.190 |
| 170-4-1891-1 | SPL170 | 2.544 | 49 | 3.820 | 2.125 | 5.531 |
| 170-4-191-1 | SPL170 | 2.274 | 44 | 3.000 | 2.500 | 5.270 |
| 170-4-1931-1X | SPL170 | 2.750 | 43 | 3.750 | 1.792 | 5.929 |
| 170-4-1961-1X | SPL170 | 1.998 | 38 | 3.000 | 2.115 | 4.898 |
| 170-4-1991-1X | SPL170 | 2.024 | 39 | 3.000 | 2.281 | 5.156 |
| 170-4-2001-1X | SPL170 | 2.024 | 39 | 3.000 | 2.281 | 6.240 |
| 170-4-201-1X | SPL170 | 2.274 | 44 | 3.000 | 2.500 | 5.270 |
| 170-4-2011-1X | SPL170 | 2.274 | 44 | 3.000 | 2.500 | 5.270 |

| Part Number | Series | Spline Data | | Ground Hub Dia. | Length Thru Hole | *C/L to End of Hub |
|---------------|--------|-------------|-----------|-----------------|------------------|--------------------|
| | | O.D. | No. Teeth | | | |
| 170-4-2021-1X | SPL170 | 2.544 | 49 | 3.820 | 2.125 | 5.531 |
| 170-4-2031-1X | SPL170 | 2.544 | 49 | 3.818 | 2.125 | 6.260 |
| 170-4-21-1 | SPL170 | 2.274 | 44 | 2.938 | 2.350 | 5.094 |
| 170-4-211-1 | SPL170 | 2.024 | 39 | 2.625 | 2.500 | 5.270 |
| 170-4-221-1X | SPL170 | 2.024 | 39 | 2.625 | 2.500 | 5.266 |
| 170-4-231-1 | SPL170 | 2.024 | 39 | 2.625 | 2.500 | 6.500 |
| 170-4-241-1X | SPL170 | 2.024 | 39 | 2.625 | 2.500 | 6.500 |
| 170-4-251-1 | SPL170 | 2.024 | 39 | 3.000 | 2.281 | 5.156 |
| 170-4-261-1X | SPL170 | 2.024 | 39 | 3.000 | 2.281 | 5.156 |
| 170-4-271-1 | SPL170 | 2.024 | 39 | 3.000 | 2.281 | 6.240 |
| 170-4-281-1X | SPL170 | 2.024 | 39 | 3.000 | 2.281 | 6.240 |
| 170-4-291-1 | SPL170 | 2.390 | 46 | 3.375 | 3.195 | 6.531 |
| 170-4-301-1X | SPL170 | 2.390 | 46 | 3.375 | 3.195 | 6.531 |
| 170-4-31-1X | SPL170 | 2.274 | 44 | 2.938 | 2.350 | 5.094 |
| 170-4-311-1 | SPL170 | 2.143 | 41 | 2.938 | 3.000 | 7.190 |
| 170-4-321-1X | SPL170 | 2.143 | 41 | 2.938 | 3.000 | 7.190 |
| 170-4-331-1 | SPL170 | 2.143 | 41 | 2.938 | 3.000 | 5.800 |
| 170-4-341-1X | SPL170 | 2.143 | 41 | 2.938 | 3.000 | 5.800 |
| 170-4-351-1 | SPL170 | 2.143 | 41 | 2.938 | 2.500 | 5.320 |
| 170-4-361-1X | SPL170 | 2.143 | 41 | 2.938 | 2.500 | 5.320 |
| 170-4-371-1 | SPL170 | 2.143 | 41 | 2.938 | 2.500 | 6.680 |
| 170-4-381-1X | SPL170 | 2.143 | 41 | 2.938 | 2.500 | 6.680 |
| 170-4-411-1 | SPL170 | 2.544 | 49 | 3.750 | 3.000 | 6.000 |
| 170-4-421-1X | SPL170 | 2.544 | 49 | 3.750 | 3.000 | 6.000 |
| 170-4-451-1 | SPL170 | 2.250 | 10 | 3.500 | 3.000 | 5.750 |
| 170-4-461-1X | SPL170 | 2.250 | 10 | 3.500 | 3.000 | 5.750 |
| 170-4-471-1 | SPL170 | 2.500 | 10 | 3.750 | 3.000 | 5.750 |
| 170-4-481-1X | SPL170 | 2.500 | 10 | 3.750 | 3.000 | 5.750 |
| 170-4-491-1 | SPL170 | 2.750 | 10 | 3.750 | 3.000 | 5.850 |
| 170-4-501-1X | SPL170 | 2.750 | 10 | 3.750 | 3.000 | 5.850 |
| 170-4-511-1 | SPL170 | 2.750 | 10 | 3.750 | 3.000 | 5.850 |
| 170-4-521-1X | SPL170 | 2.750 | 10 | 3.750 | 3.000 | 5.850 |
| 170-4-531-1 | SPL170 | 2.750 | 10 | 3.000 | 3.000 | 5.850 |
| 170-4-541-1 | SPL170 | 1.998 | 38 | 2.750 | 2.125 | 4.844 |
| 170-4-561-1 | SPL170 | 2.794 | 54 | 2.750 | 2.750 | 5.600 |
| 170-4-571-1 | SPL170 | 2.374 | 46 | 3.250 | 2.875 | 5.760 |
| 170-4-581-1X | SPL170 | 2.374 | 46 | 3.250 | 2.875 | 5.760 |
| 170-4-591-1X | SPL170 | 2.374 | 46 | 3.250 | 2.875 | 5.760 |
| 170-4-601-1 | SPL170 | 2.374 | 46 | 3.250 | 2.875 | 7.250 |
| 170-4-611-1X | SPL170 | 2.374 | 46 | 3.250 | 2.875 | 7.250 |
| 170-4-621-1 | SPL170 | 1.774 | 34 | 2.500 | 2.250 | 5.031 |
| 170-4-631-1 | SPL170 | 1.774 | 34 | 2.500 | 2.250 | 6.440 |
| 170-4-641-1 | SPL170 | 2.024 | 39 | 3.000 | 2.312 | 5.090 |
| 170-4-651-1X | SPL170 | 2.024 | 39 | 3.000 | 2.312 | 5.090 |
| 170-4-661-1 | SPL170 | 2.024 | 39 | 3.000 | 2.312 | 6.391 |
| 170-4-671-1X | SPL170 | 2.024 | 39 | 3.000 | 2.312 | 6.391 |
| 170-4-681-1X | SPL170 | 2.024 | 39 | 3.000 | 2.312 | 5.090 |
| 170-4-691-1X | SPL170 | 2.024 | 39 | 3.000 | 2.312 | 6.391 |
| 170-4-701-1X | SPL170 | 2.024 | 39 | 3.000 | 2.312 | 5.090 |
| 170-4-711-1 | SPL170 | 2.390 | 46 | 3.250 | 2.328 | 5.100 |
| 170-4-721-1X | SPL170 | 2.390 | 46 | 3.250 | 2.328 | 5.100 |
| 170-4-731-1 | SPL170 | 2.390 | 46 | 3.250 | 2.328 | 6.438 |
| 170-4-741-1X | SPL170 | 2.390 | 46 | 3.250 | 2.328 | 6.438 |
| 170-4-771-1 | SPL170 | 1.989 | 30 | 3.000 | 2.685 | 6.580 |
| 170-4-781-1 | SPL170 | 2.364 | 36 | 3.000 | 2.685 | 6.780 |

| Part Number | Series | Splines Data | | Ground Hub Dia. | Length Thru Hole | *C/L to End of Hub |
|-----------------|--------|--------------|-----------|-----------------|------------------|--------------------|
| | | O.D. | No. Teeth | | | |
| 170-4-791-1X | SPL170 | 2.364 | 36 | 3.000 | 2.685 | 6.780 |
| 170-4-801-1 | SPL170 | 2.024 | 39 | 3.000 | 2.250 | 6.250 |
| 170-4-811-1X | SPL170 | 2.024 | 39 | 3.000 | 2.250 | 6.250 |
| 170-4-821-1 | SPL170 | 2.024 | 39 | 3.000 | 2.500 | 5.280 |
| 170-4-831-1 | SPL170 | 2.024 | 39 | 3.000 | 2.500 | 6.500 |
| 170-4-841-1 | SPL170 | 2.024 | 39 | 3.000 | 2.250 | 5.031 |
| 170-4-851-1X | SPL170 | 2.024 | 39 | 3.000 | 2.250 | 5.031 |
| 170-4-861-1X | SPL170 | 2.024 | 39 | 3.000 | 2.250 | 5.031 |
| 170-4-891-1 | SPL170 | 2.114 | 32 | 3.000 | 2.250 | 5.000 |
| 170-4-901-1X | SPL170 | 2.114 | 32 | 3.000 | 2.250 | 5.000 |
| 170-4-91-1 | SPL170 | 2.274 | 44 | 2.938 | 2.500 | 5.281 |
| 170-4-921-1 | SPL170 | 1.790 | 34 | 2.500 | 2.250 | 5.030 |
| 170-4-951-1 | SPL170 | 2.114 | 32 | 3.000 | 2.250 | 6.312 |
| 170-4-961-1X | SPL170 | 2.114 | 32 | 3.000 | 2.250 | 6.312 |
| 2-4-1731 | 1310 | 1.375 | 10 | 2.125 | 2.000 | 3.438 |
| 2-4-1831 | 1310 | 1.250 | 10 | 1.750 | 2.000 | 3.625 |
| 2-4-2851-1X | 1310 | 1.125 | 10 | 1.552 | 1.500 | 3.000 |
| 2-4-3581-1X | 1330 | 1.146 | 26 | 1.552 | 1.500 | 3.000 |
| 2-4-3801-1X | 1310 | 1.276 | 29 | 1.875 | 1.500 | 2.938 |
| 2-4-3801X | 1310 | 1.276 | 29 | 1.875 | 1.500 | 2.938 |
| 2-4-4191-1 | 1310 | 1.400 | 32 | 2.125 | 2.000 | 3.438 |
| 2-4-4291-1X | 1330 | 1.276 | 29 | 1.875 | 1.500 | 2.938 |
| 2-4-4601-1 | 1310 | 1.146 | 26 | 1.844 | 1.375 | 2.938 |
| 2-4-5251X | 1310 | 1.146 | 26 | 1.552 | 1.500 | 3.406 |
| 2-4-5311X | 1330-F | 1.276 | 29 | 1.875 | 1.500 | 2.938 |
| 2-4-5341 | 1310 | 1.401 | 32 | 1.875 | 2.000 | 3.875 |
| 2-4-5421X | 1310 | 1.326 | 30 | 1.750 | 2.000 | 3.375 |
| 2-4-5441 | 1330 | 1.401 | 32 | 1.875 | 2.000 | 3.875 |
| 2-4-6111X | 1330-F | 1.146 | 26 | 1.562 | 1.500 | 3.000 |
| 2-4-6131-1X | 1310 | 1.026 | 23 | 1.552 | 1.500 | 3.000 |
| 2-4-6901-1X | 1310 | 1.146 | 26 | 1.844 | 1.375 | 2.938 |
| 2-4-7631-1 | 1330 | 1.146 | 26 | 1.844 | 1.375 | 3.562 |
| 2-4-7661-1 | 7290 | 1.146 | 26 | 1.844 | 1.375 | 3.219 |
| 2-4-7681-1X | 7290 | 1.276 | 29 | 1.875 | 1.500 | 3.359 |
| 2-4-8051X | 1330-F | 1.276 | 29 | 1.875 | 1.500 | 2.938 |
| 2-4-8091-1X | 1310 | 1.146 | 26 | 1.552 | 1.500 | 3.000 |
| 2-4-8091X | 1310 | 1.146 | 26 | 1.552 | 1.500 | 3.000 |
| 250-4-03560-1X | SPL250 | 2.390 | 46 | 3.250 | 2.312 | 5.312 |
| 250-4-08445-1X | SPL250 | 2.544 | 49 | 3.819 | 2.672 | 6.200 |
| 250-4-08459-1X | SPL250 | 2.544 | 49 | 3.819 | 2.125 | 5.830 |
| 250-4-101-1X | SPL250 | 2.390 | 46 | 3.375 | 3.195 | 6.760 |
| 250-4-1041-1X | SPL250 | 2.390 | 46 | 3.250 | 2.312 | 5.312 |
| 250-4-1061-1X | SPL250 | 2.750 | 43 | 3.750 | 1.790 | 5.500 |
| 250-4-1281-1X | SPL250 | 2.274 | 44 | 3.000 | 2.500 | 5.490 |
| 250-4-1291-1X | SPL250 | 2.544 | 49 | 3.861 | 2.677 | 6.200 |
| 250-4-1301-1X | SPL250 | 2.544 | 49 | 3.861 | 2.126 | 5.830 |
| 250-4-131-1 | SPL250 | 2.143 | 41 | 2.938 | 2.500 | 5.490 |
| 250-4-1311-1X | SPL250 | 2.544 | 49 | 3.812 | 2.125 | 6.750 |
| 250-4-134705-1X | SPL250 | 2.544 | 49 | 3.861 | 2.677 | 6.200 |
| 250-4-141-1X | SPL250 | 2.143 | 41 | 2.938 | 2.500 | 5.490 |
| 250-4-151-1 | SPL250 | 2.544 | 49 | 3.750 | 3.000 | 6.250 |
| 250-4-161-1X | SPL250 | 2.544 | 49 | 3.750 | 3.000 | 6.250 |
| 250-4-191-1 | SPL250 | 2.500 | 10 | 3.750 | 3.000 | 6.062 |
| 250-4-201-1X | SPL250 | 2.500 | 10 | 3.750 | 3.000 | 6.062 |
| 250-4-211-1 | SPL250 | 2.750 | 10 | 3.750 | 3.000 | 6.300 |

| Part Number | Series | Splines Data | | Ground Hub Dia. | Length Thru Hole | *C/L to End of Hub |
|--------------|--------|--------------|-----------|-----------------|------------------|--------------------|
| | | O.D. | No. Teeth | | | |
| 250-4-221-1X | SPL250 | 2.750 | 10 | 3.750 | 3.000 | 6.300 |
| 250-4-231-1 | SPL250 | 2.750 | 10 | 3.750 | 3.000 | 6.297 |
| 250-4-241-1X | SPL250 | 2.750 | 10 | 3.750 | 3.000 | 6.297 |
| 250-4-251-1 | SPL250 | 2.750 | 10 | | 3.000 | 6.310 |
| 250-4-271-1 | SPL250 | 2.794 | 54 | | 2.750 | 5.703 |
| 250-4-281-1 | SPL250 | 2.374 | 46 | 3.250 | 2.875 | 5.870 |
| 250-4-291-1X | SPL250 | 2.374 | 46 | 3.250 | 2.875 | 5.870 |
| 250-4-301-1X | SPL250 | 2.374 | 46 | 3.250 | 2.875 | 5.870 |
| 250-4-31-1 | SPL250 | 2.274 | 44 | 2.938 | 2.350 | 5.328 |
| 250-4-311-1 | SPL250 | 2.024 | 39 | 3.000 | 2.312 | 5.300 |
| 250-4-321-1X | SPL250 | 2.024 | 39 | 3.000 | 2.312 | 5.300 |
| 250-4-341-1 | SPL250 | 2.390 | 46 | 3.250 | 2.312 | 5.312 |
| 250-4-351-1X | SPL250 | 2.390 | 46 | 3.250 | 2.312 | 5.312 |
| 250-4-361-1 | SPL250 | 2.364 | 36 | 3.000 | 2.685 | 5.680 |
| 250-4-371-1X | SPL250 | 2.364 | 36 | 3.000 | 2.685 | 5.680 |
| 250-4-381-1 | SPL250 | 2.024 | 39 | 3.000 | 2.245 | 5.240 |
| 250-4-391-1X | SPL250 | 2.024 | 39 | 3.000 | 2.245 | 5.240 |
| 250-4-41-1X | SPL250 | 2.274 | 44 | 2.938 | 2.350 | 5.328 |
| 250-4-411-1 | SPL250 | 2.114 | 32 | 3.000 | 2.245 | 5.240 |
| 250-4-421-1X | SPL250 | 2.114 | 32 | 3.000 | 2.245 | 5.240 |
| 250-4-471-1 | SPL250 | 2.390 | 46 | 3.500 | 3.375 | 6.560 |
| 250-4-501-1 | SPL250 | 2.795 | 55 | 4.725 | 2.047 | 5.413 |
| 250-4-51-1 | SPL250 | 2.274 | 44 | 2.938 | 2.500 | 5.484 |
| 250-4-511-1 | SPL250 | 2.635 | 20 | 3.750 | 2.750 | 6.270 |
| 250-4-521-1X | SPL250 | 2.635 | 20 | 3.750 | 2.750 | 6.270 |
| 250-4-531-1 | SPL250 | 2.225 | 06 | 3.000 | 3.250 | 6.240 |
| 250-4-541-1X | SPL250 | 2.225 | 06 | 3.000 | 3.250 | 6.240 |
| 250-4-551-1 | SPL250 | 2.750 | 10 | 4.000 | 2.935 | 6.370 |
| 250-4-561-1 | SPL250 | 2.500 | 10 | 3.750 | 3.000 | 6.250 |
| 250-4-601-1 | SPL250 | 2.374 | 46 | 3.750 | 2.406 | 5.410 |
| 250-4-61-1X | SPL250 | 2.274 | 44 | 2.938 | 2.500 | 5.484 |
| 250-4-621-1X | SPL250 | 2.374 | 46 | 3.750 | 2.406 | 5.410 |
| 250-4-641-1 | SPL250 | 2.374 | 46 | 3.500 | 2.406 | 6.140 |
| 250-4-651-1X | SPL250 | 2.374 | 46 | 3.500 | 2.406 | 6.140 |
| 250-4-681-1 | SPL250 | 2.250 | 10 | 3.125 | 2.250 | 5.234 |
| 250-4-691-1X | SPL250 | 2.250 | 10 | 3.125 | 2.250 | 5.234 |
| 250-4-701-1 | SPL250 | 2.500 | 10 | 3.500 | 2.406 | 5.500 |
| 250-4-71-1 | SPL250 | 2.274 | 44 | 3.000 | 2.500 | 5.490 |
| 250-4-711-1X | SPL250 | 2.500 | 10 | 3.500 | 2.406 | 5.500 |
| 250-4-751-1 | SPL250 | 2.750 | 10 | 3.500 | 3.000 | 6.312 |
| 250-4-761-1X | SPL250 | 2.750 | 10 | 3.500 | 3.000 | 6.312 |
| 250-4-771-1 | SPL250 | 2.374 | 46 | 3.250 | 2.625 | 5.610 |
| 250-4-781-1X | SPL250 | 2.374 | 46 | 3.250 | 2.625 | 5.610 |
| 250-4-791-1 | SPL250 | 2.374 | 46 | 3.750 | 2.400 | 6.650 |
| 250-4-801-1X | SPL250 | 2.374 | 46 | 3.750 | 2.400 | 6.650 |
| 250-4-81-1X | SPL250 | 2.274 | 44 | 3.000 | 2.500 | 5.490 |
| 250-4-811-1 | SPL250 | 2.225 | 06 | 3.000 | 3.250 | 6.250 |
| 250-4-901-1 | SPL250 | 2.794 | 54 | 3.750 | 2.770 | 6.330 |
| 250-4-91-1 | SPL250 | 2.390 | 46 | 3.375 | 3.195 | 6.760 |
| 250-4-921-1 | SPL250 | 3.543 | 44 | 4.125 | 3.188 | 6.140 |
| 250-4-941-1 | SPL250 | 2.795 | 55 | 4.725 | 2.047 | 5.410 |
| 250-4-951-1X | SPL250 | 2.795 | 55 | 4.725 | 2.047 | 5.410 |
| 3-4-06976-1X | 1480 | 2.024 | 39 | 3.000 | 1.832 | 3.878 |
| 3-4-10251-1 | 1410 | 1.790 | 34 | 2.625 | 2.188 | 4.031 |
| 3-4-10261 | 1480 | 1.790 | 34 | 2.625 | 2.188 | 4.281 |

| Part Number | Series | Spline Data | | Ground Hub Dia. | Length Thru Hole | *C/L to End of Hub |
|--------------|--------|-------------|-----------|-----------------|------------------|--------------------|
| | | O.D. | No. Teeth | | | |
| 3-4-10261-1 | 1480 | 1.790 | 34 | 2.625 | 2.188 | 4.281 |
| 3-4-10461-1X | 1410 | 1.790 | 34 | 2.625 | 2.188 | 4.031 |
| 3-4-10471-1X | 1480 | 1.790 | 34 | 2.625 | 2.188 | 4.281 |
| 3-4-11051-1 | 1480 | 2.024 | 39 | 2.625 | 2.250 | 4.344 |
| 3-4-11061-1X | 1480 | 2.024 | 39 | 2.625 | 2.250 | 4.344 |
| 3-4-11081-1X | 1410 | 1.609 | 37 | 2.500 | 2.000 | 4.312 |
| 3-4-11281-1X | 1480 | 1.609 | 37 | 2.500 | 2.000 | 4.328 |
| 3-4-11551-1 | 1480 | 1.790 | 34 | 2.567 | 2.750 | 4.885 |
| 3-4-11561-1 | 1480 | 1.750 | 10 | 2.500 | 1.922 | 5.109 |
| 3-4-1161-1 | 1410 | 1.750 | 10 | 2.375 | 2.188 | 4.188 |
| 3-4-11621-1X | 1480 | 1.790 | 34 | 2.567 | 2.750 | 4.885 |
| 3-4-11871-1 | 1480 | 1.750 | 10 | 2.500 | 1.938 | 4.000 |
| 3-4-11871-2 | 1480 | 1.750 | 10 | 2.500 | 1.938 | 4.000 |
| 3-4-11921-1X | 1480 | 1.790 | 34 | 2.625 | 2.188 | 4.281 |
| 3-4-12091-1 | 1480 | 1.790 | 34 | 2.375 | 2.188 | 4.219 |
| 3-4-12101-1X | 1480 | 1.790 | 34 | 2.375 | 2.188 | 4.219 |
| 3-4-12111-1 | 1480 | 1.998 | 38 | 3.000 | 2.125 | 4.281 |
| 3-4-12121-1X | 1480 | 1.998 | 38 | 3.000 | 2.125 | 4.281 |
| 3-4-13051-1 | 1480 | 2.024 | 39 | 2.625 | 2.250 | 4.344 |
| 3-4-13061-1X | 1480 | 2.024 | 39 | 2.625 | 2.250 | 4.344 |
| 3-4-13071-1 | 1480 | 2.024 | 39 | 3.000 | 2.281 | 4.344 |
| 3-4-13081-1X | 1480 | 2.024 | 39 | 3.000 | 2.281 | 4.344 |
| 3-4-13341-1 | 1480 | 2.114 | 32 | 3.000 | 2.250 | 4.281 |
| 3-4-13351-1X | 1480 | 2.114 | 32 | 3.000 | 2.250 | 4.281 |
| 3-4-14711-1X | 1410 | 1.276 | 29 | 1.875 | 1.500 | 3.200 |
| 3-4-14731-1X | 1480 | 1.609 | 37 | 2.500 | 2.000 | 4.328 |
| 3-4-14781-1 | 1480 | 2.024 | 39 | 3.000 | 1.832 | 3.878 |
| 3-4-14791-1X | 1480 | 2.024 | 39 | 3.000 | 1.832 | 3.878 |
| 3-4-1481-1 | 1410 | 1.375 | 10 | 1.938 | 2.000 | 3.688 |
| 3-4-1841-1 | 1410 | 1.750 | 10 | 2.375 | 2.188 | 4.188 |
| 3-4-1911-1 | 1410 | 1.500 | 10 | 2.250 | 1.750 | 3.750 |
| 3-4-2241-1 | 1410 | 1.500 | 10 | 2.250 | 2.188 | 3.875 |
| 3-4-2271-1 | 1410 | 1.375 | 10 | 2.125 | 2.000 | 3.685 |
| 3-4-2351-1 | 1350 | 1.750 | 10 | 2.375 | 2.188 | 4.000 |
| 3-4-2511-1 | 1410 | 1.750 | 10 | 2.625 | 2.188 | 4.250 |
| 3-4-3121-1 | 1480 | 1.750 | 10 | 2.625 | 2.250 | 4.469 |
| 3-4-3241-1 | 1480 | 1.500 | 10 | 2.250 | 2.188 | 4.406 |
| 3-4-3291-1 | 1350 | 1.375 | 10 | 2.125 | 2.000 | 3.688 |
| 3-4-3351 | 1410 | 1.750 | 10 | 2.250 | 2.188 | 4.188 |
| 3-4-3491-1 | 1410 | 1.625 | 10 | 2.375 | 2.125 | 3.938 |
| 3-4-3571-1 | 1480 | 1.750 | 10 | 2.375 | 2.188 | 4.219 |
| 3-4-3761-1 | 1350 | 1.250 | 10 | 1.750 | 2.000 | 3.500 |
| 3-4-3771 | 1480 | 1.625 | 10 | 2.375 | 2.125 | 4.312 |
| 3-4-3781-1 | 1480 | 1.500 | 10 | 2.250 | 2.188 | 4.200 |
| 3-4-3941-1 | 1410 | 1.375 | 10 | 2.125 | 1.750 | 3.500 |
| 3-4-3961-1 | 1410 | 1.500 | 10 | 2.125 | 2.000 | 3.688 |
| 3-4-4211 | 1480 | 1.964 | 10 | 2.500 | 2.000 | 4.688 |
| 3-4-5191-1 | 1410 | 1.525 | 35 | 2.125 | 2.000 | 3.688 |
| 3-4-5711-1X | 1410 | 1.276 | 29 | 1.875 | 1.500 | 3.188 |
| 3-4-5731-1X | 1350 | 1.276 | 29 | 1.875 | 1.500 | 3.000 |
| 3-4-5791-1X | 1480 | 1.750 | 10 | 2.625 | 2.250 | 4.281 |
| 3-4-5881-1X | 1410 | 1.750 | 10 | 2.625 | 2.188 | 4.000 |
| 3-4-5921-1X | 1410 | 1.625 | 10 | 2.375 | 2.125 | 4.188 |
| 3-4-6211-1 | 1350 | 1.401 | 32 | 2.125 | 2.000 | 3.500 |
| 3-4-6221-1X | 1480 | 1.500 | 10 | 2.250 | 2.188 | 4.200 |

| Part Number | Series | Spline Data | | Ground Hub Dia. | Length Thru Hole | *C/L to End of Hub |
|--------------|--------|-------------|-----------|-----------------|------------------|--------------------|
| | | O.D. | No. Teeth | | | |
| 3-4-6231-1 | 1480 | 1.750 | 10 | 2.250 | 2.188 | 4.250 |
| 3-4-6241-1X | 1480 | 1.750 | 10 | 2.250 | 2.188 | 4.250 |
| 3-4-6251 | 1480 | 1.500 | 10 | 2.125 | 2.188 | 4.250 |
| 3-4-6261X | 1480 | 1.500 | 10 | 2.125 | 2.188 | 4.250 |
| 3-4-6671-1X | 1480 | 1.875 | 10 | 2.750 | 2.375 | 4.406 |
| 3-4-6691-1 | 1480 | 1.525 | 35 | 2.125 | 2.000 | 4.031 |
| 3-4-6701 | 1480 | 1.375 | 10 | 2.125 | 2.000 | 4.031 |
| 3-4-7131 | 1410 | 1.750 | 10 | 2.500 | 1.938 | 5.750 |
| 3-4-7151 | 1410 | 1.525 | 35 | 2.500 | 1.938 | 5.750 |
| 3-4-7161 | 1480 | 1.525 | 35 | 2.500 | 1.938 | 5.750 |
| 3-4-7241 | 1350 | 1.401 | 32 | 2.125 | 2.719 | 4.750 |
| 3-4-7241-1 | 1350 | 1.401 | 32 | 2.125 | 2.719 | 4.750 |
| 3-4-7541-1 | 1480 | 1.774 | 34 | 2.500 | 2.250 | 4.469 |
| 3-4-7551 | 1410 | 1.774 | 34 | 2.500 | 2.250 | 4.188 |
| 3-4-7551-1 | 1410 | 1.774 | 34 | 2.500 | 2.250 | 4.188 |
| 3-4-8051-1X | 1480 | 1.774 | 34 | 2.500 | 2.250 | 4.469 |
| 3-4-8061-1X | 1410 | 1.774 | 34 | 2.500 | 2.250 | 4.188 |
| 3-4-8061X | 1410 | 1.774 | 34 | 2.500 | 2.250 | 4.188 |
| 3-4-8781-1 | 1480 | 1.998 | 38 | 2.750 | 2.125 | 4.156 |
| 3-4-8861 | 1480 | 2.024 | 39 | 3.000 | 2.312 | 4.281 |
| 3-4-8871X | 1480 | 2.024 | 39 | 3.000 | 2.312 | 4.281 |
| 3-4-9001X | 1350 | 1.625 | 10 | 2.375 | 2.125 | 3.969 |
| 3-4-9231-1 | 1480 | 1.790 | 34 | 2.562 | 2.750 | 5.125 |
| 3-4-9241-1X | 1480 | 1.790 | 34 | 2.562 | 2.750 | 5.125 |
| 3-4-9241-2X | 1480 | 1.790 | 34 | 2.562 | 2.750 | 5.125 |
| 3-4-9271-1 | 1480 | 1.750 | 10 | 2.500 | 1.953 | 4.000 |
| 350-4-111-1X | SPL350 | 2.374 | 46 | 3.500 | 2.401 | 6.220 |
| 350-4-121-1 | SPL350 | 2.750 | 10 | 3.375 | 2.929 | 7.087 |
| 350-4-131-1 | SPL350 | 2.750 | 10 | 3.752 | 2.992 | 6.614 |
| 350-4-141-1X | SPL350 | 2.750 | 10 | 3.752 | 2.992 | 6.614 |
| 350-4-151-1 | SPL350 | 2.795 | 55 | 4.724 | 2.055 | 5.688 |
| 350-4-161-1X | SPL350 | 2.795 | 55 | 4.724 | 2.055 | 5.688 |
| 350-4-171-1 | SPL350 | 3.046 | 48 | 4.251 | 1.957 | 5.256 |
| 350-4-201-1X | SPL350 | 2.544 | 49 | 3.896 | 2.677 | 6.200 |
| 350-4-31-1X | SPL350 | 2.544 | 49 | 3.820 | 2.677 | 6.200 |
| 350-4-61-1X | SPL350 | 2.390 | 46 | 3.252 | 2.322 | 5.551 |
| 350-4-71-1X | SPL350 | 2.390 | 46 | 3.252 | 2.322 | 5.551 |
| 350-4-91-1X | SPL350 | 2.374 | 46 | 3.751 | 2.401 | 5.642 |
| 4-4-1941 | 1550 | 1.875 | 10 | 2.750 | 2.375 | 4.406 |
| 4-4-2041-1 | 1550 | 1.750 | 10 | 2.375 | 2.188 | 4.000 |
| 4-4-2091-1 | 1550 | 1.750 | 10 | 2.625 | 2.250 | 4.281 |
| 4-4-3501-1 | 1550 | 2.250 | 10 | 3.500 | 3.000 | 5.125 |
| 4-4-3581-1X | 1550 | 1.750 | 10 | 2.625 | 2.234 | 4.672 |
| 4-4-3851-1 | 1550 | 1.790 | 34 | 2.562 | 2.790 | 5.125 |
| 4-4-3861-1X | 1550 | 1.790 | 34 | 2.562 | 2.790 | 5.125 |
| 4-4-4071-1X | 1550 | 1.962 | 10 | 2.625 | 2.266 | 4.266 |
| 4-4-4101-1 | 1550 | 1.774 | 34 | 2.500 | 2.260 | 4.700 |
| 4-4-4101-2 | 1550 | 1.774 | 34 | 2.500 | 2.260 | 4.700 |
| 4-4-4111-1X | 1550 | 1.774 | 34 | 2.500 | 2.260 | 4.700 |
| 4-4-4491-1 | 1550 | 1.998 | 38 | 2.750 | 2.125 | 4.035 |
| 4-4-4611 | 1550 | 1.998 | 38 | 2.750 | 1.984 | 4.156 |
| 4-4-4611-1 | 1550 | 1.998 | 38 | 2.750 | 1.984 | 4.156 |
| 4-4-4611-2 | 1550 | 1.998 | 38 | 2.750 | 1.984 | 4.156 |
| 4-4-4771-2 | 1550 | 1.962 | 10 | 2.750 | 2.812 | 5.000 |
| 4-4-4781-1 | 1550 | 1.750 | 10 | 2.500 | 1.938 | 4.125 |

| Part Number | Series | Splines Data | | Ground Hub Dia. | Length Thru Hole | *C/L to End of Hub |
|-------------|--------|--------------|-----------|-----------------|------------------|--------------------|
| | | O.D. | No. Teeth | | | |
| 4-4-4781-2 | 1550 | 1.750 | 10 | 2.500 | 1.938 | 4.125 |
| 4-4-4791-1 | 1550 | 1.790 | 34 | 2.562 | 2.750 | 5.156 |
| 4-4-4801-1X | 1550 | 1.790 | 34 | 2.562 | 2.750 | 5.156 |
| 4-4-5251-1 | 1550 | 1.750 | 10 | 2.500 | 2.260 | 4.290 |
| 4-4-5261-1 | 1550 | 2.024 | 39 | 3.000 | 2.312 | 5.000 |
| 4-4-5551-1 | 1550 | 1.790 | 34 | 2.625 | 2.185 | 4.275 |
| 4-4-5581-1 | 1550 | 2.143 | 41 | 2.938 | 2.500 | 4.500 |
| 4-4-5611-1X | 1550 | 1.790 | 34 | 2.625 | 2.185 | 4.275 |
| 4-4-5621-1 | 1550 | 2.024 | 39 | 2.625 | 2.255 | 4.281 |
| 4-4-5691-1X | 1550 | 2.024 | 39 | 2.625 | 2.255 | 4.281 |
| 4-4-5701-1X | 1550 | 2.143 | 41 | 2.938 | 2.500 | 4.500 |
| 4-4-6101-1 | 1550 | 1.998 | 38 | 2.750 | 2.125 | 7.031 |
| 4-4-6471-1 | 1550 | 2.024 | 39 | 2.625 | 2.250 | 4.266 |
| 4-4-6731-1X | 1550 | 2.024 | 39 | 3.000 | 2.312 | 5.000 |
| 4-4-6781-2 | 1550 | 1.962 | 10 | 2.750 | 2.812 | 5.000 |
| 4-4-6791-2 | 1550 | 1.750 | 10 | 2.500 | 1.915 | 4.115 |
| 4-4-6851-1X | 1550 | 1.609 | 37 | 2.500 | 2.016 | 4.406 |
| 4-4-6951-1 | 1550 | 1.790 | 34 | 2.375 | 2.200 | 4.000 |
| 4-4-6961-1X | 1550 | 1.790 | 34 | 2.375 | 2.200 | 4.000 |
| 4-4-6971-1 | 1550 | 1.998 | 38 | 3.000 | 2.125 | 4.500 |
| 4-4-6981-1X | 1550 | 1.998 | 38 | 3.000 | 2.125 | 4.500 |
| 4-4-6991-1 | 1550 | 2.114 | 32 | 3.000 | 2.250 | 4.312 |
| 4-4-7001-1X | 1550 | 2.114 | 32 | 3.000 | 2.250 | 4.312 |
| 4-4-7011-1 | 1550 | 2.364 | 36 | 3.000 | 2.688 | 5.078 |
| 4-4-7111-1X | 1550 | 2.364 | 36 | 3.000 | 2.688 | 5.078 |
| 4-4-7341-1 | 1550 | 1.998 | 38 | 2.750 | 2.125 | 4.035 |
| 4-4-7551-1X | 1550 | 2.024 | 39 | 2.625 | 2.250 | 4.266 |
| 4-4-7561-1 | 1550 | 2.024 | 39 | 3.000 | 2.297 | 4.281 |
| 4-4-7571-1X | 1550 | 2.024 | 39 | 3.000 | 2.297 | 4.281 |
| 5-4-1051 | 1610 | 1.750 | 10 | 2.500 | 2.250 | 4.250 |
| 5-4-1391 | 1610 | 2.000 | 10 | 2.938 | 3.000 | 5.625 |
| 5-4-1481 | 1610 | 1.750 | 10 | 2.375 | 2.188 | 4.188 |
| 5-4-1481-1 | 1610 | 1.750 | 10 | 2.375 | 2.188 | 4.688 |
| 5-4-1521 | 1610 | 2.000 | 10 | 2.938 | 3.000 | 5.000 |
| 5-4-1661 | 1610 | 2.000 | 10 | 2.750 | 3.000 | 5.188 |
| 5-4-1661-1 | 1610 | 2.000 | 10 | 2.750 | 3.000 | 5.469 |
| 5-4-1891 | 1610 | 2.260 | 06 | 3.250 | 2.250 | 4.938 |
| 5-4-1891-1 | 1610 | 2.260 | 06 | 3.250 | 2.250 | 4.938 |
| 5-4-2031X | 1610 | 1.960 | 06 | 2.750 | 3.000 | 5.000 |
| 5-4-2081 | 1610 | 1.750 | 10 | 2.625 | 2.250 | 4.750 |
| 5-4-2341 | 1650 | 2.359 | 18 | 3.000 | 2.781 | 5.219 |
| 5-4-2401 | 1610 | 1.625 | 10 | 2.375 | 2.125 | 4.125 |
| 5-4-2501 | 1610 | 1.875 | 10 | 2.750 | 2.375 | 5.000 |
| 5-4-2531 | 1610 | 1.962 | 10 | 3.000 | 2.250 | 4.750 |
| 5-4-3621 | 1610 | 1.750 | 10 | 2.750 | 2.250 | 5.000 |
| 5-4-4161X | 1650 | 1.750 | 10 | 2.625 | 2.250 | 4.375 |
| 5-4-4391 | 1610 | 1.939 | 30 | 3.000 | 2.250 | 4.750 |
| 5-4-4401 | 1610 | 2.032 | 10 | 2.750 | 2.000 | 4.500 |
| 5-4-4441X | 1610 | 1.750 | 10 | 2.750 | 2.250 | 6.000 |
| 5-4-4461 | 1610 | 1.750 | 10 | 2.625 | 2.250 | 5.344 |
| 5-4-4461-1 | 1610 | 1.750 | 10 | 2.625 | 2.250 | 5.344 |
| 5-4-4471-1 | 1610 | 1.962 | 10 | 2.625 | 2.250 | 5.312 |
| 5-4-4481 | 1610 | 1.750 | 10 | 2.750 | 2.250 | 5.406 |
| 5-4-4541 | 1610 | 1.962 | 10 | 3.000 | 2.250 | 5.375 |
| 5-4-4551 | 1610 | 1.962 | 10 | 2.500 | 2.000 | 5.219 |

| Part Number | Series | Splines Data | | Ground Hub Dia. | Length Thru Hole | *C/L to End of Hub |
|-------------|--------|--------------|-----------|-----------------|------------------|--------------------|
| | | O.D. | No. Teeth | | | |
| 5-4-4741 | 1610 | 2.225 | 06 | 3.000 | 3.250 | 5.719 |
| 5-4-4751X | 1610 | 2.225 | 06 | 3.000 | 3.250 | 5.719 |
| 5-4-4761X | 1610 | 1.750 | 10 | 2.625 | 2.250 | 6.000 |
| 5-4-4771X | 1610 | 1.962 | 10 | 2.625 | 2.250 | 6.000 |
| 5-4-4831 | 1610 | 1.790 | 34 | 2.562 | 2.750 | 5.312 |
| 5-4-4831-1 | 1610 | 1.790 | 34 | 2.562 | 2.750 | 5.312 |
| 5-4-4841-1X | 1610 | 1.790 | 34 | 2.562 | 2.750 | 5.312 |
| 5-4-4841X | 1610 | 1.790 | 34 | 2.562 | 2.750 | 5.312 |
| 5-4-4861 | 1610 | 2.390 | 46 | 3.500 | 3.391 | 6.125 |
| 5-4-4861-1 | 1610 | 2.390 | 46 | 3.500 | 3.391 | 6.125 |
| 5-4-4901X | 1610 | 1.774 | 34 | 2.500 | 2.250 | 6.062 |
| 5-4-4961 | 1610 | 2.250 | 10 | 3.500 | 3.000 | 5.750 |
| 5-4-4961-1 | 1610 | 2.250 | 10 | 3.500 | 3.000 | 5.750 |
| 5-4-4971 | 1610 | 2.500 | 10 | 3.750 | 3.000 | 6.125 |
| 5-4-5081X | 1610 | 1.774 | 34 | 2.500 | 2.250 | 5.438 |
| 5-4-5111-1X | 1610 | 1.750 | 10 | 2.625 | 2.250 | 4.750 |
| 5-4-5111X | 1610 | 1.750 | 10 | 2.625 | 2.250 | 4.750 |
| 5-4-5121-1X | 1610 | 1.962 | 10 | 2.625 | 2.250 | 4.719 |
| 5-4-5121X | 1610 | 1.962 | 10 | 2.625 | 2.250 | 4.719 |
| 5-4-5131X | 1610 | 2.000 | 10 | 2.938 | 2.562 | 5.188 |
| 5-4-5161-1X | 1610 | 2.149 | 16 | 2.938 | 3.000 | 6.250 |
| 5-4-5161X | 1610 | 2.149 | 16 | 2.938 | 3.000 | 6.250 |
| 5-4-5231X | 1610 | 1.790 | 34 | 2.567 | 2.830 | 5.310 |
| 5-4-5281X | 1610 | 1.960 | 10 | 2.750 | 2.625 | 5.125 |
| 5-4-5321X | 1610 | 1.962 | 10 | 2.750 | 2.625 | 5.938 |
| 5-4-5421 | 1610 | 2.024 | 39 | 2.750 | 2.453 | 5.125 |
| 5-4-5441 | 1610 | 2.024 | 39 | 2.750 | 2.438 | 5.938 |
| 5-4-5491-1X | 1610 | 2.422 | 18 | 3.375 | 3.000 | 6.125 |
| 5-4-5511X | 1610 | 2.149 | 16 | 2.938 | 3.000 | 6.500 |
| 5-4-5571-1 | 1610 | 1.774 | 34 | 2.500 | 2.250 | 4.875 |
| 5-4-5621-1X | 1610 | 1.774 | 34 | 2.500 | 2.250 | 4.875 |
| 5-4-5631 | 1610 | 2.364 | 36 | 3.000 | 2.688 | 5.156 |
| 5-4-5721 | 1610 | 1.989 | 30 | 3.000 | 2.688 | 6.000 |
| 5-4-5731 | 1610 | 2.114 | 32 | 3.000 | 2.250 | 6.000 |
| 5-4-5751 | 1610 | 2.114 | 32 | 3.000 | 2.250 | 5.375 |
| 5-4-5861X | 1610 | 1.998 | 38 | 3.000 | 2.125 | 4.844 |
| 5-4-5881 | 1610 | 2.024 | 39 | 2.750 | 2.000 | 4.500 |
| 5-4-5971X | 1610 | 2.024 | 39 | 2.625 | 2.250 | 6.000 |
| 5-4-5991X | 1610 | 2.024 | 39 | 2.625 | 2.250 | 5.312 |
| 5-4-6241 | 1610 | 2.024 | 39 | 3.000 | 2.312 | 6.219 |
| 5-4-6241-1 | 1610 | 2.024 | 39 | 3.000 | 2.312 | 6.219 |
| 5-4-6251 | 1610 | 1.774 | 34 | 2.500 | 2.250 | 6.062 |
| 5-4-6261 | 1610 | 1.774 | 34 | 2.500 | 2.250 | 5.438 |
| 5-4-6261-1 | 1610 | 1.774 | 34 | 2.500 | 2.250 | 5.438 |
| 5-4-6271 | 1610 | 2.024 | 39 | 3.000 | 2.312 | 5.531 |
| 5-4-6281X | 1610 | 2.024 | 39 | 3.000 | 2.312 | 5.531 |
| 5-4-6291-1X | 1610 | 2.024 | 39 | 3.000 | 2.312 | 6.219 |
| 5-4-6291X | 1610 | 2.024 | 39 | 3.000 | 2.312 | 6.219 |
| 5-4-6321 | 1610 | 1.998 | 38 | 2.750 | 2.125 | 4.125 |
| 5-4-6321-1 | 1610 | 1.998 | 38 | 2.750 | 2.125 | 4.000 |
| 5-4-6341 | 1610 | 1.790 | 34 | 2.625 | 2.438 | 4.938 |
| 5-4-6351 | 1610 | 1.790 | 34 | 2.625 | 2.438 | 6.188 |
| 5-4-6361-1X | 1610 | 1.962 | 10 | 2.625 | 2.250 | 5.312 |
| 5-4-6381-1X | 1610 | 2.274 | 44 | 2.938 | 2.500 | 5.000 |
| 5-4-6381X | 1610 | 2.274 | 44 | 2.938 | 2.500 | 5.000 |

| Part Number | Series | Spline Data | | Ground Hub Dia. | Length Thru Hole | *C/L to End of Hub |
|-------------|--------|-------------|-----------|-----------------|------------------|--------------------|
| | | O.D. | No. Teeth | | | |
| 5-4-6421 | 1610 | 2.024 | 39 | 3.000 | 2.312 | 4.875 |
| 5-4-6421-1 | 1610 | 2.024 | 39 | 3.000 | 2.312 | 4.875 |
| 5-4-6431-1X | 1610 | 2.024 | 39 | 3.000 | 2.312 | 4.875 |
| 5-4-6431X | 1610 | 2.024 | 39 | 3.000 | 2.312 | 4.875 |
| 5-4-6441-1X | 1610 | 2.024 | 39 | 3.000 | 2.312 | 4.875 |
| 5-4-6481 | 1610 | 1.998 | 38 | 2.750 | 1.969 | 4.156 |
| 5-4-6481-1 | 1610 | 1.998 | 38 | 2.750 | 1.969 | 4.156 |
| 5-4-6531-1 | 1610 | 2.635 | 20 | 3.750 | 2.750 | 5.062 |
| 5-4-6891X | 1610 | 2.250 | 10 | 3.000 | 3.000 | 5.625 |
| 5-4-6951X | 1610 | 2.024 | 39 | 2.750 | 2.453 | 5.125 |
| 5-4-6961X | 1610 | 2.024 | 39 | 2.750 | 2.438 | 5.938 |
| 5-4-7041-1 | 1610 | 1.962 | 10 | 2.750 | 2.812 | 5.281 |
| 5-4-7121X | 1610 | 1.998 | 38 | 3.000 | 2.125 | 4.844 |
| 5-4-7181X | 1610 | 2.114 | 32 | 3.000 | 2.250 | 6.000 |
| 5-4-7191 | 1610 | 2.364 | 36 | 3.000 | 2.688 | 5.156 |
| 5-4-7201X | 1610 | 2.364 | 36 | 3.000 | 2.688 | 5.156 |
| 5-4-7211X | 1610 | 2.364 | 36 | 3.000 | 2.688 | 5.156 |
| 5-4-7221X | 1610 | 2.114 | 32 | 3.000 | 2.250 | 5.375 |
| 5-4-7231X | 1610 | 2.364 | 36 | 3.000 | 2.703 | 6.000 |
| 5-4-7251X | 1610 | 1.989 | 30 | 3.000 | 2.688 | 6.000 |
| 5-4-7261 | 1610 | 1.790 | 34 | 2.625 | 2.188 | 4.750 |
| 5-4-7261-1 | 1610 | 1.790 | 34 | 2.625 | 2.188 | 4.750 |
| 5-4-7271-1 | 1610 | 2.143 | 41 | 2.938 | 2.500 | 5.250 |
| 5-4-7301-1X | 1610 | 1.790 | 34 | 2.625 | 2.188 | 4.750 |
| 5-4-7311-1X | 1610 | 2.143 | 41 | 2.938 | 2.500 | 5.250 |
| 5-4-7331-1 | 1610 | 2.390 | 46 | 3.250 | 2.312 | 4.938 |
| 5-4-7341-1X | 1610 | 2.390 | 46 | 3.250 | 2.312 | 4.938 |
| 5-4-7351-1 | 1610 | 2.374 | 46 | 3.250 | 2.891 | 4.547 |
| 5-4-7361-1X | 1610 | 2.374 | 46 | 3.250 | 2.891 | 4.547 |
| 5-4-7381-1 | 1610 | 2.250 | 10 | 3.750 | 3.000 | 5.750 |
| 5-4-7391-1X | 1610 | 2.250 | 10 | 3.750 | 3.000 | 5.750 |
| 5-4-7551-1 | 1610 | 2.143 | 41 | 2.938 | 3.000 | 6.500 |
| 5-4-7561 | 1610 | 2.143 | 41 | 2.938 | 2.500 | 6.000 |
| 5-4-7561-1 | 1610 | 2.143 | 41 | 2.938 | 2.500 | 6.000 |
| 5-4-7571-1X | 1610 | 2.143 | 41 | 2.938 | 2.500 | 6.000 |
| 5-4-7571X | 1610 | 2.143 | 41 | 2.938 | 2.500 | 6.000 |
| 5-4-7581-1 | 1610 | 1.750 | 10 | 2.500 | 2.250 | 4.720 |
| 5-4-7601-1 | 1610 | 1.998 | 38 | 2.750 | 2.125 | 7.562 |
| 5-4-7631-1 | 1610 | 1.750 | 10 | 2.500 | 1.953 | 4.125 |
| 5-4-7641-1 | 1610 | 2.343 | 45 | 3.750 | 3.000 | 5.750 |
| 5-4-7651-1X | 1610 | 2.343 | 45 | 3.750 | 3.000 | 5.750 |
| 5-4-7781-1 | 1610 | 1.790 | 34 | 2.562 | 2.750 | 5.312 |
| 5-4-781 | 1610 | 1.750 | 10 | 2.625 | 2.250 | 4.125 |
| 5-4-7951-1 | 1610 | 2.547 | 49 | 4.000 | 2.750 | 5.500 |
| 5-4-7971 | 1610 | 2.024 | 39 | 2.625 | 2.250 | 5.312 |
| 5-4-7971-1 | 1610 | 2.024 | 39 | 2.625 | 2.250 | 5.312 |
| 5-4-7981 | 1610 | 2.024 | 39 | 2.625 | 2.234 | 4.719 |
| 5-4-7981-1 | 1610 | 2.024 | 39 | 2.625 | 2.234 | 4.719 |
| 5-4-7991 | 1610 | 2.024 | 39 | 2.625 | 2.250 | 6.000 |
| 5-4-8001 | 1610 | 1.790 | 34 | 2.625 | 2.438 | 6.188 |
| 5-4-8021-1 | 1610 | 2.274 | 44 | 2.938 | 2.328 | 4.844 |
| 5-4-8031-1X | 1610 | 2.274 | 44 | 2.938 | 2.328 | 4.844 |
| 5-4-8061-1X | 1610 | 1.790 | 34 | 2.562 | 2.750 | 5.312 |
| 5-4-8131-1X | 1610 | 2.024 | 39 | 2.625 | 2.234 | 4.719 |
| 5-4-8131X | 1610 | 2.024 | 39 | 2.625 | 2.234 | 4.719 |

| Part Number | Series | Spline Data | | Ground Hub Dia. | Length Thru Hole | *C/L to End of Hub |
|-------------|--------|-------------|-----------|-----------------|------------------|--------------------|
| | | O.D. | No. Teeth | | | |
| 5-4-8211-1X | 1610 | 2.260 | 06 | 3.250 | 2.250 | 4.938 |
| 5-4-8261 | 1610 | 2.024 | 39 | 3.000 | 2.281 | 6.000 |
| 5-4-8261-1 | 1610 | 2.024 | 39 | 3.000 | 2.281 | 6.000 |
| 5-4-8301 | 1610 | 2.024 | 39 | 2.625 | 2.500 | 6.000 |
| 5-4-8311-1 | 1610 | 2.274 | 44 | 3.000 | 2.500 | 5.000 |
| 5-4-8321-1 | 1610 | 2.274 | 44 | 2.938 | 2.500 | 5.000 |
| 5-4-8361-1 | 1610 | 1.962 | 10 | 2.750 | 2.812 | 5.281 |
| 5-4-8411-1X | 1610 | 2.024 | 39 | 2.625 | 2.250 | 5.312 |
| 5-4-8411X | 1610 | 2.024 | 39 | 2.625 | 2.250 | 5.312 |
| 5-4-8421X | 1610 | 2.024 | 39 | 2.625 | 2.250 | 6.000 |
| 5-4-8431-1X | 1610 | 2.274 | 44 | 2.938 | 2.500 | 5.000 |
| 5-4-8441X | 1610 | 1.790 | 34 | 2.625 | 2.438 | 6.188 |
| 5-4-8491-1 | 1610 | 1.790 | 34 | 2.625 | 2.422 | 4.938 |
| 5-4-8501-1X | 1610 | 1.790 | 34 | 2.625 | 2.422 | 4.938 |
| 5-4-8561-1 | 1610 | 1.790 | 34 | 2.375 | 2.203 | 4.125 |
| 5-4-8571-1X | 1610 | 1.790 | 34 | 2.375 | 2.203 | 4.125 |
| 5-4-8581-1 | 1610 | 1.998 | 38 | 3.000 | 2.125 | 4.844 |
| 5-4-8591-1X | 1610 | 1.998 | 38 | 3.000 | 2.125 | 4.844 |
| 5-4-8601-1 | 1610 | 2.114 | 32 | 3.000 | 2.234 | 5.375 |
| 5-4-8611-1X | 1610 | 2.114 | 32 | 3.000 | 2.234 | 5.375 |
| 5-4-8621-1 | 1610 | 2.364 | 36 | 3.000 | 2.688 | 5.156 |
| 5-4-8631-1X | 1610 | 2.364 | 36 | 3.000 | 2.688 | 5.156 |
| 5-4-8641-1 | 1610 | 2.364 | 36 | 3.000 | 2.688 | 5.156 |
| 5-4-8651-1X | 1610 | 2.364 | 36 | 3.000 | 2.688 | 5.156 |
| 5-4-8661-1 | 1610 | 1.989 | 30 | 3.000 | 2.688 | 6.000 |
| 5-4-8671-1X | 1610 | 1.989 | 30 | 3.000 | 2.688 | 6.000 |
| 5-4-8681-1 | 1610 | 2.114 | 32 | 3.000 | 2.234 | 6.000 |
| 5-4-8691-1X | 1610 | 2.114 | 32 | 3.000 | 2.234 | 6.000 |
| 5-4-8901-1X | 1610 | 1.962 | 10 | 2.625 | 2.250 | 5.312 |
| 5-4-8911-1 | 1610 | 1.790 | 34 | 2.500 | 2.250 | 5.438 |
| 5-4-8971-1 | 1610 | 1.998 | 38 | 2.750 | 2.125 | 4.000 |
| 5-4-9101-1X | 1610 | 2.274 | 44 | 2.938 | 2.328 | 4.844 |
| 5-4-9111-1X | 1610 | 2.143 | 41 | 2.938 | 2.500 | 5.250 |
| 5-4-9121-1X | 1610 | 2.143 | 41 | 2.938 | 2.500 | 6.000 |
| 5-4-9121X | 1610 | 2.143 | 41 | 2.938 | 2.500 | 6.000 |
| 5-4-9131-1X | 1610 | 2.143 | 41 | 2.938 | 3.000 | 6.500 |
| 5-4-9141 | 1610 | 2.178 | 43 | 3.531 | 2.031 | 5.406 |
| 5-4-9141-1 | 1610 | 2.178 | 43 | 3.531 | 2.031 | 5.406 |
| 5-4-9221-1 | 1610 | 2.024 | 39 | 3.000 | 2.281 | 4.875 |
| 5-4-9231-1X | 1610 | 2.024 | 39 | 3.000 | 2.281 | 4.875 |
| 5-4-9241-1X | 1610 | 2.024 | 39 | 3.000 | 2.281 | 6.000 |
| 5-4-9241X | 1610 | 2.024 | 39 | 3.000 | 2.281 | 6.000 |
| 5-4-9261-1X | 1610 | 2.274 | 44 | 3.000 | 2.500 | 5.000 |
| 5-4-9271X | 1610 | 2.024 | 39 | 2.625 | 2.500 | 6.000 |
| 5-4-9291-1 | 1610 | 2.024 | 39 | 3.000 | 2.250 | 6.000 |
| 5-4-9311-1X | 1610 | 2.024 | 39 | 3.000 | 2.250 | 6.000 |
| 5-4-9351-1 | 1610 | 2.024 | 39 | 3.000 | 2.500 | 5.594 |
| 5001480 | SPL55 | 1.790 | 34 | 2.564 | 2.760 | 4.870 |
| 5001766 | SPL170 | 2.024 | 39 | 3.000 | 2.281 | 5.540 |
| 5001768 | SPL170 | 2.024 | 39 | 2.625 | 2.500 | 5.750 |
| 5001782 | SPL70 | 2.024 | 39 | 3.000 | 1.844 | 3.878 |
| 5001789 | SPL70 | 1.790 | 34 | 2.562 | 2.750 | 6.650 |
| 5002873 | 1810 | 2.143 | 41 | 3.000 | 2.188 | 4.680 |
| 5002874 | SPL100 | 2.143 | 41 | 3.000 | 2.166 | 4.310 |
| 5002875 | SPL100 | 2.143 | 41 | 3.000 | 2.166 | 4.310 |

| Part Number | Series | Splines Data | | Ground Hub Dia. | Length Thru Hole | *C/L to End of Hub |
|----------------|--------|--------------|-----------|-----------------|------------------|--------------------|
| | | O.D. | No. Teeth | | | |
| 5002876 | 1710 | 2.143 | 41 | 3.000 | 2.166 | 5.380 |
| 5002877 | 1710 | 2.143 | 41 | 3.000 | 2.166 | 5.380 |
| 5002878 | SPL140 | 2.143 | 41 | 3.000 | 2.166 | 5.030 |
| 5002879 | SPL140 | 2.143 | 41 | 3.000 | 2.166 | 5.030 |
| 5003328 | SPL55 | 2.024 | 39 | 3.000 | 1.847 | 3.875 |
| 5003491 | 1410 | 1.276 | 29 | 1.875 | 1.495 | 3.188 |
| 5003553 | 1710 | 2.390 | 46 | 3.250 | 2.328 | 5.391 |
| 5003555 | 1760 | 2.390 | 46 | 3.250 | 2.328 | 5.062 |
| 5003556 | 1810 | 2.390 | 46 | 3.250 | 2.312 | 5.156 |
| 5003557 | SPL140 | 2.390 | 46 | 3.250 | 2.323 | 5.660 |
| 5003558 | SPL170 | 2.390 | 46 | 3.250 | 2.328 | 5.100 |
| 5003812 | SPL55 | 2.034 | 39 | 3.000 | 1.844 | 5.438 |
| 5003813 | SPL55 | 2.034 | 39 | 3.000 | 1.844 | 5.438 |
| 5004767 | 1760 | 2.390 | 46 | 3.250 | 2.328 | 5.062 |
| 5005379 | SPL90 | 2.024 | 39 | 2.626 | 2.245 | 4.160 |
| 5006607 | SPL100 | 2.024 | 39 | 3.000 | 1.817 | 4.150 |
| 5006608 | SPL100 | 2.024 | 39 | 3.000 | 1.817 | 4.150 |
| 5006976 | 1480 | 2.024 | 39 | 3.000 | 1.832 | 3.878 |
| 5006977 | SPL70 | 2.024 | 39 | 3.000 | 1.844 | 3.878 |
| 5007493 | SPL140 | 2.024 | 39 | 3.000 | 1.817 | 4.470 |
| 5007494 | SPL140 | 2.024 | 39 | 3.000 | 1.817 | 4.470 |
| 5008454 | 1760 | 2.544 | 49 | 3.818 | 2.125 | 5.200 |
| 5008577 | SPL170 | 2.024 | 39 | 3.000 | 2.281 | 5.540 |
| 5008578 | SPL170 | 2.024 | 39 | 2.625 | 2.500 | 5.750 |
| 5009705 | SPL170 | 1.774 | 34 | 2.500 | 2.250 | 6.440 |
| 55-4-03328-1X | SPL55 | 2.024 | 39 | 3.000 | 1.847 | 3.875 |
| 55-4-03813-1X | SPL55 | 2.034 | 39 | 3.000 | 1.844 | 5.438 |
| 55-4-101-1X | SPL55 | 1.790 | 34 | 2.564 | 2.760 | 4.870 |
| 55-4-111-1 | SPL55 | 1.750 | 10 | 2.500 | 1.935 | 5.102 |
| 55-4-31-1 | SPL55 | 1.790 | 34 | 2.375 | 2.188 | 4.219 |
| 55-4-41-1X | SPL55 | 1.790 | 34 | 2.375 | 2.188 | 4.219 |
| 55-4-71-1 | SPL55 | 2.024 | 39 | 3.000 | 2.281 | 4.330 |
| 55-4-81-1X | SPL55 | 2.024 | 39 | 3.000 | 2.281 | 4.330 |
| 55-4-91-1 | SPL55 | 1.790 | 34 | 2.564 | 2.760 | 4.870 |
| 6.3-4-03555-1X | 1760 | 2.390 | 46 | 3.250 | 2.328 | 5.062 |
| 6.3-4-05582-1 | 1760 | 2.544 | 49 | 3.819 | 2.677 | 5.750 |
| 6.3-4-08441-1X | 1760 | 2.544 | 49 | 3.819 | 2.677 | 5.750 |
| 6.3-4-08454X | 1760 | 2.544 | 49 | 3.818 | 2.125 | 5.200 |
| 6.3-4-08455-1X | 1760 | 2.544 | 49 | 3.818 | 2.125 | 5.200 |
| 6.3-4-101 | 1760 | 2.374 | 46 | 3.250 | 2.625 | 5.438 |
| 6.3-4-101-1 | 1760 | 2.374 | 46 | 3.250 | 2.625 | 5.438 |
| 6.3-4-1021X | 1760 | 2.364 | 36 | 3.000 | 2.688 | 5.438 |
| 6.3-4-1031 | 1760 | 2.390 | 46 | 3.250 | 2.328 | 5.062 |
| 6.3-4-1031-1 | 1760 | 2.390 | 46 | 3.250 | 2.328 | 5.062 |
| 6.3-4-1041-1X | 1760 | 2.390 | 46 | 3.250 | 2.328 | 5.062 |
| 6.3-4-1041X | 1760 | 2.390 | 46 | 3.250 | 2.328 | 5.062 |
| 6.3-4-1051-1 | 1760 | 2.794 | 54 | 3.750 | 3.000 | 5.970 |
| 6.3-4-1061 | 1760 | 2.143 | 41 | 2.938 | 2.500 | 5.250 |
| 6.3-4-1061-1 | 1760 | 2.143 | 41 | 2.938 | 2.500 | 5.250 |
| 6.3-4-1071-1X | 1760 | 2.143 | 41 | 2.938 | 2.500 | 5.250 |
| 6.3-4-1071X | 1760 | 2.143 | 41 | 2.938 | 2.500 | 5.250 |
| 6.3-4-1091-1 | 1760 | 2.250 | 10 | 3.750 | 3.000 | 5.625 |
| 6.3-4-1101-1X | 1760 | 2.250 | 10 | 3.750 | 3.000 | 5.625 |
| 6.3-4-1141-1X | 1760 | 2.024 | 39 | 3.000 | 2.312 | 5.188 |
| 6.3-4-1151 | 1760 | 2.390 | 46 | 3.375 | 3.188 | 6.000 |

| Part Number | Series | Splines Data | | Ground Hub Dia. | Length Thru Hole | *C/L to End of Hub |
|---------------|--------|--------------|-----------|-----------------|------------------|--------------------|
| | | O.D. | No. Teeth | | | |
| 6.3-4-1151-1 | 1760 | 2.390 | 46 | 3.375 | 3.188 | 6.000 |
| 6.3-4-1161-1X | 1760 | 2.390 | 46 | 3.375 | 3.188 | 6.000 |
| 6.3-4-1161X | 1760 | 2.390 | 46 | 3.375 | 3.188 | 6.000 |
| 6.3-4-1171 | 1760 | 2.143 | 41 | 2.938 | 3.000 | 5.812 |
| 6.3-4-1201-1 | 1760 | 2.750 | 10 | | 3.000 | 5.969 |
| 6.3-4-1251 | 1760 | 2.544 | 49 | 4.000 | 2.750 | 5.562 |
| 6.3-4-1251-1 | 1760 | 2.544 | 49 | 4.000 | 2.750 | 5.562 |
| 6.3-4-1261X | 1760 | 2.032 | 10 | 2.750 | 2.000 | 5.000 |
| 6.3-4-1271-1X | 1760 | 2.374 | 46 | 3.750 | 2.422 | 5.406 |
| 6.3-4-1281-1X | 1760 | 2.374 | 46 | 3.750 | 2.422 | 5.406 |
| 6.3-4-1281X | 1760 | 2.374 | 46 | 3.750 | 2.422 | 5.406 |
| 6.3-4-1321 | 1760 | 2.274 | 44 | 2.938 | 2.328 | 5.094 |
| 6.3-4-1321-1 | 1760 | 2.274 | 44 | 2.938 | 2.328 | 5.094 |
| 6.3-4-1331-1X | 1760 | 2.274 | 44 | 2.938 | 2.328 | 5.094 |
| 6.3-4-1331X | 1760 | 2.274 | 44 | 2.938 | 2.328 | 5.094 |
| 6.3-4-1341-1X | 1760 | 2.024 | 39 | 3.000 | 2.312 | 5.188 |
| 6.3-4-1391-1X | 1760 | 2.374 | 46 | 3.500 | 2.406 | 5.375 |
| 6.3-4-1391X | 1760 | 2.374 | 46 | 3.500 | 2.406 | 5.375 |
| 6.3-4-1401-1X | 1760 | 2.500 | 10 | 3.500 | 2.406 | 5.406 |
| 6.3-4-1401X | 1760 | 2.500 | 10 | 3.500 | 2.406 | 5.406 |
| 6.3-4-141 | 1760 | 2.149 | 16 | 2.938 | 3.000 | 5.812 |
| 6.3-4-141-1 | 1760 | 2.149 | 16 | 2.938 | 3.000 | 5.812 |
| 6.3-4-1411 | 1760 | 2.274 | 44 | 3.000 | 2.500 | 5.250 |
| 6.3-4-1411-1 | 1760 | 2.274 | 44 | 3.000 | 2.500 | 5.250 |
| 6.3-4-1421 | 1760 | 2.274 | 44 | 2.938 | 2.500 | 5.250 |
| 6.3-4-1421-1 | 1760 | 2.274 | 44 | 2.938 | 2.500 | 5.250 |
| 6.3-4-1481-1X | 1760 | 2.274 | 44 | 2.938 | 2.500 | 5.250 |
| 6.3-4-1481X | 1760 | 2.274 | 44 | 2.938 | 2.500 | 5.250 |
| 6.3-4-1491-1 | 1760 | 1.998 | 38 | 3.000 | 2.125 | 4.844 |
| 6.3-4-1501-1X | 1760 | 1.998 | 38 | 3.000 | 2.125 | 4.844 |
| 6.3-4-151 | 1760 | 2.500 | 10 | 3.500 | 2.406 | 5.406 |
| 6.3-4-151-1 | 1760 | 2.500 | 10 | 3.500 | 2.406 | 5.406 |
| 6.3-4-1511-1 | 1760 | 2.114 | 32 | 3.000 | 2.250 | 5.000 |
| 6.3-4-1521-1X | 1760 | 2.114 | 32 | 3.000 | 2.250 | 5.000 |
| 6.3-4-1531-1 | 1760 | 2.364 | 36 | 3.000 | 2.688 | 5.438 |
| 6.3-4-1541-1X | 1760 | 2.364 | 36 | 3.000 | 2.688 | 5.438 |
| 6.3-4-1551-1 | 1760 | 2.364 | 36 | 3.000 | 2.688 | 5.438 |
| 6.3-4-1561-1X | 1760 | 2.364 | 36 | 3.000 | 2.688 | 5.438 |
| 6.3-4-1591-1 | 1760 | 2.178 | 43 | 3.539 | 2.050 | 5.500 |
| 6.3-4-1601-1 | 1760 | 2.364 | 36 | 3.500 | 2.485 | 5.230 |
| 6.3-4-1611-1X | 1760 | 2.364 | 36 | 3.500 | 2.485 | 5.230 |
| 6.3-4-1621-1X | 1760 | 2.274 | 44 | 2.938 | 2.328 | 5.094 |
| 6.3-4-1621X | 1760 | 2.274 | 44 | 2.938 | 2.328 | 5.094 |
| 6.3-4-1631-1X | 1760 | 2.143 | 41 | 2.938 | 2.500 | 5.250 |
| 6.3-4-1641X | 1760 | 2.143 | 41 | 2.938 | 3.000 | 5.812 |
| 6.3-4-1651-1X | 1760 | 2.390 | 46 | 3.375 | 3.188 | 6.000 |
| 6.3-4-1651X | 1760 | 2.390 | 46 | 3.375 | 3.188 | 6.000 |
| 6.3-4-1681 | 1760 | 2.794 | 54 | | 2.750 | 5.625 |
| 6.3-4-1681-1 | 1760 | 2.794 | 54 | | 2.750 | 5.625 |
| 6.3-4-1701-1 | 1760 | 2.024 | 39 | 3.000 | 2.250 | 5.625 |
| 6.3-4-171-1X | 1760 | 2.225 | 06 | 3.000 | 3.250 | 6.000 |
| 6.3-4-171X | 1760 | 2.225 | 06 | 3.000 | 3.250 | 6.000 |
| 6.3-4-1711-1X | 1760 | 2.024 | 39 | 3.000 | 2.250 | 5.625 |
| 6.3-4-1761-1 | 1760 | 2.795 | 55 | 4.725 | 2.047 | 5.000 |
| 6.3-4-181X | 1760 | 2.000 | 10 | 2.938 | 2.562 | 5.375 |

| Part Number | Series | Spline Data | | Ground Hub Dia. | Length Thru Hole | *C/L to End of Hub | Part Number | Series | Spline Data | | Ground Hub Dia. | Length Thru Hole | *C/L to End of Hub |
|---------------|--------|-------------|-----------|-----------------|------------------|--------------------|----------------|--------|-------------|-----------|-----------------|------------------|--------------------|
| | | O.D. | No. Teeth | | | | | | O.D. | No. Teeth | | | |
| 6.3-4-1861-1 | 1760 | 2.544 | 49 | 3.818 | 2.125 | 5.200 | 6.3-4-781X | 1760 | 2.500 | 10 | 3.750 | 3.000 | 6.000 |
| 6.3-4-1891-1X | 1760 | 2.753 | 43 | 3.750 | 1.790 | 4.870 | 6.3-4-791-1X | 1760 | 2.750 | 10 | 3.750 | 3.000 | 5.969 |
| 6.3-4-1891X | 1760 | 2.753 | 43 | 3.750 | 1.790 | 4.870 | 6.3-4-791X | 1760 | 2.750 | 10 | 3.750 | 3.000 | 5.969 |
| 6.3-4-191X | 1760 | 2.024 | 39 | 3.000 | 2.438 | 5.188 | 6.3-4-811 | 1760 | 2.544 | 49 | 3.750 | 3.000 | 6.031 |
| 6.3-4-211-1X | 1760 | 2.374 | 46 | 3.250 | 2.625 | 5.438 | 6.3-4-811-1 | 1760 | 2.544 | 49 | 3.750 | 3.000 | 6.031 |
| 6.3-4-211X | 1760 | 2.374 | 46 | 3.250 | 2.625 | 5.438 | 6.3-4-841-1 | 1760 | 2.343 | 45 | 3.750 | 3.000 | 5.656 |
| 6.3-4-221X | 1760 | 1.964 | 10 | 2.625 | 2.250 | 5.625 | 6.3-4-851X | 1760 | 2.364 | 36 | 3.000 | 2.688 | 5.438 |
| 6.3-4-231X | 1760 | 2.149 | 16 | 2.938 | 2.500 | 5.250 | 6.3-4-861-1X | 1760 | 2.374 | 46 | 3.250 | 2.875 | 5.625 |
| 6.3-4-241-1X | 1760 | 2.422 | 18 | 3.375 | 3.000 | 6.000 | 6.3-4-861X | 1760 | 2.374 | 46 | 3.250 | 2.875 | 5.625 |
| 6.3-4-241X | 1760 | 2.422 | 18 | 3.375 | 3.000 | 6.000 | 6.3-4-871-1X | 1760 | 2.635 | 20 | 3.750 | 2.750 | 5.562 |
| 6.3-4-251-1X | 1760 | 2.149 | 16 | 2.938 | 3.000 | 5.812 | 6.3-4-871X | 1760 | 2.635 | 20 | 3.750 | 2.750 | 5.562 |
| 6.3-4-251X | 1760 | 2.149 | 16 | 2.938 | 3.000 | 5.812 | 6.3-4-901-1X | 1760 | 2.343 | 45 | 3.750 | 3.000 | 5.656 |
| 6.3-4-271 | 1760 | 2.364 | 18 | 3.500 | 3.375 | 6.125 | 6.5-4-03556-1X | 1810 | 2.390 | 46 | 3.250 | 2.312 | 5.156 |
| 6.3-4-271-1 | 1760 | 2.364 | 18 | 3.500 | 3.375 | 6.125 | 6.5-4-08442X | 1810 | 2.544 | 49 | 3.819 | 2.677 | 5.740 |
| 6.3-4-291 | 1760 | 2.374 | 46 | 3.250 | 2.875 | 5.625 | 6.5-4-08443-1X | 1810 | 2.544 | 49 | 3.820 | 2.692 | 5.740 |
| 6.3-4-291-1 | 1760 | 2.374 | 46 | 3.250 | 2.875 | 5.625 | 6.5-4-08456X | 1810 | 2.544 | 49 | 3.818 | 2.141 | 5.740 |
| 6.3-4-301-1X | 1760 | 2.374 | 46 | 3.250 | 2.875 | 5.625 | 6.5-4-08457-1X | 1810 | 2.544 | 49 | 3.818 | 2.141 | 5.740 |
| 6.3-4-301X | 1760 | 2.374 | 46 | 3.250 | 2.875 | 5.625 | 6.5-4-1901 | 1810 | 2.750 | 10 | 3.500 | 3.000 | 6.062 |
| 6.3-4-331-1X | 1760 | 2.274 | 44 | 2.938 | 2.500 | 5.250 | 6.5-4-1901-1 | 1810 | 2.750 | 10 | 3.500 | 3.000 | 6.062 |
| 6.3-4-331X | 1760 | 2.274 | 44 | 2.938 | 2.500 | 5.250 | 6.5-4-1911 | 1810 | 2.250 | 10 | 3.000 | 3.000 | 5.844 |
| 6.3-4-381 | 1760 | 2.390 | 46 | 3.500 | 3.375 | 6.000 | 6.5-4-1971 | 1810 | 2.225 | 06 | 3.000 | 3.250 | 6.000 |
| 6.3-4-381-1 | 1760 | 2.390 | 46 | 3.500 | 3.375 | 6.000 | 6.5-4-1971-1 | 1810 | 2.225 | 06 | 3.000 | 3.250 | 6.000 |
| 6.3-4-391 | 1760 | 2.374 | 46 | 3.500 | 2.406 | 5.375 | 6.5-4-1991 | 1810 | 2.422 | 18 | 3.375 | 3.000 | 5.812 |
| 6.3-4-391-1 | 1760 | 2.374 | 46 | 3.500 | 2.406 | 5.375 | 6.5-4-1991-1 | 1810 | 2.422 | 18 | 3.375 | 3.000 | 5.812 |
| 6.3-4-41 | 1760 | 2.635 | 20 | 3.750 | 2.750 | 5.562 | 6.5-4-2011 | 1810 | 2.635 | 20 | 3.750 | 2.750 | 5.562 |
| 6.3-4-41-1 | 1760 | 2.635 | 20 | 3.750 | 2.750 | 5.562 | 6.5-4-2021 | 1810 | 2.250 | 10 | 3.500 | 3.000 | 5.844 |
| 6.3-4-421 | 1760 | 2.032 | 10 | 2.750 | 2.000 | 5.000 | 6.5-4-2051 | 1810 | 1.939 | 30 | 3.000 | 2.250 | 5.375 |
| 6.3-4-431 | 1760 | 1.939 | 30 | 3.000 | 2.250 | 5.250 | 6.5-4-2101 | 1810 | 2.500 | 10 | 3.500 | 2.406 | 5.406 |
| 6.3-4-51 | 1760 | 2.225 | 06 | 3.000 | 3.250 | 6.000 | 6.5-4-2101-1 | 1810 | 2.500 | 10 | 3.500 | 2.406 | 5.406 |
| 6.3-4-51-1 | 1760 | 2.225 | 06 | 3.000 | 3.250 | 6.000 | 6.5-4-2141 | 1810 | 2.250 | 10 | 3.125 | 2.250 | 5.375 |
| 6.3-4-5221-1X | 1760 | 2.274 | 44 | 3.000 | 2.500 | 5.250 | 6.5-4-2141-1 | 1810 | 2.250 | 10 | 3.125 | 2.250 | 5.375 |
| 6.3-4-5221X | 1760 | 2.274 | 44 | 3.000 | 2.500 | 5.250 | 6.5-4-2171 | 1810 | 2.750 | 10 | 4.000 | 2.938 | 6.000 |
| 6.3-4-531 | 1760 | 2.024 | 39 | 3.000 | 2.312 | 5.188 | 6.5-4-2171-1 | 1810 | 2.750 | 10 | 4.000 | 2.938 | 6.000 |
| 6.3-4-531-1 | 1760 | 2.024 | 39 | 3.000 | 2.312 | 5.188 | 6.5-4-2181 | 1810 | 2.631 | 25 | 3.625 | 3.000 | 5.781 |
| 6.3-4-541-1X | 1760 | 2.024 | 39 | 3.000 | 2.312 | 5.188 | 6.5-4-2261 | 1810 | 2.031 | 10 | 2.750 | 2.000 | 5.250 |
| 6.3-4-541X | 1760 | 2.024 | 39 | 3.000 | 2.312 | 5.188 | 6.5-4-2271X | 1810 | 2.225 | 06 | 3.000 | 3.250 | 6.000 |
| 6.3-4-61 | 1760 | 2.750 | 10 | 4.000 | 2.938 | 6.000 | 6.5-4-2291 | 1810 | 2.149 | 16 | 2.938 | 3.000 | 5.812 |
| 6.3-4-61-1 | 1760 | 2.750 | 10 | 4.000 | 2.938 | 6.000 | 6.5-4-2291-1 | 1810 | 2.149 | 16 | 2.938 | 3.000 | 5.812 |
| 6.3-4-641 | 1760 | 2.374 | 46 | 3.750 | 2.422 | 5.406 | 6.5-4-2341X | 1810 | 2.000 | 10 | 2.938 | 2.562 | 5.375 |
| 6.3-4-641-1 | 1760 | 2.374 | 46 | 3.750 | 2.422 | 5.406 | 6.5-4-2351X | 1810 | 1.964 | 10 | 2.625 | 2.250 | 5.625 |
| 6.3-4-651 | 1760 | 2.500 | 10 | 3.750 | 3.000 | 6.000 | 6.5-4-2361-1X | 1810 | 2.422 | 18 | 3.375 | 3.000 | 5.812 |
| 6.3-4-651-1 | 1760 | 2.500 | 10 | 3.750 | 3.000 | 6.031 | 6.5-4-2361X | 1810 | 2.422 | 18 | 3.375 | 3.000 | 5.812 |
| 6.3-4-661 | 1760 | 2.750 | 10 | 3.750 | 3.000 | 5.969 | 6.5-4-2401-1X | 1810 | 2.149 | 16 | 2.938 | 3.000 | 5.812 |
| 6.3-4-661-1 | 1760 | 2.750 | 10 | 3.750 | 3.000 | 5.969 | 6.5-4-2401X | 1810 | 2.149 | 16 | 2.938 | 3.000 | 5.812 |
| 6.3-4-701-1 | 1760 | 2.250 | 10 | 3.500 | 3.000 | 5.656 | 6.5-4-2471 | 1810 | 2.024 | 39 | 3.000 | 2.438 | 5.188 |
| 6.3-4-711 | 1760 | 2.750 | 10 | 3.750 | 3.000 | 5.969 | 6.5-4-2491X | 1810 | 2.024 | 39 | 3.000 | 2.438 | 5.188 |
| 6.3-4-711-1 | 1760 | 2.750 | 10 | 3.750 | 3.000 | 5.969 | 6.5-4-2541 | 1810 | 2.390 | 46 | 3.500 | 3.375 | 6.156 |
| 6.3-4-721-1X | 1760 | 2.750 | 10 | 3.750 | 3.000 | 5.969 | 6.5-4-2541-1 | 1810 | 2.390 | 46 | 3.500 | 3.375 | 6.156 |
| 6.3-4-721X | 1760 | 2.750 | 10 | 3.750 | 3.000 | 5.969 | 6.5-4-2551X | 1810 | 2.250 | 10 | 3.000 | 3.000 | 5.844 |
| 6.3-4-731-1X | 1760 | 2.250 | 10 | 3.000 | 3.000 | 5.844 | 6.5-4-2581 | 1810 | 2.364 | 18 | 3.500 | 3.375 | 6.125 |
| 6.3-4-731X | 1760 | 2.250 | 10 | 3.000 | 3.000 | 5.844 | 6.5-4-2581-1 | 1810 | 2.364 | 18 | 3.500 | 3.375 | 6.125 |
| 6.3-4-761-1X | 1760 | 2.250 | 10 | 3.500 | 3.000 | 5.656 | 6.5-4-2701 | 1810 | 2.374 | 46 | 3.250 | 2.625 | 5.438 |
| 6.3-4-771-1X | 1760 | 2.544 | 49 | 3.750 | 3.000 | 6.031 | 6.5-4-2701-1 | 1810 | 2.374 | 46 | 3.250 | 2.625 | 5.438 |
| 6.3-4-771X | 1760 | 2.544 | 49 | 3.750 | 3.000 | 6.031 | 6.5-4-2711-1X | 1810 | 2.374 | 46 | 3.250 | 2.625 | 5.438 |
| 6.3-4-781-1X | 1760 | 2.500 | 10 | 3.750 | 3.000 | 6.031 | 6.5-4-2711X | 1810 | 2.374 | 46 | 3.250 | 2.625 | 5.438 |

| Part Number | Series | Splines Data | | Ground Hub Dia. | Length Thru Hole | *C/L to End of Hub |
|---------------|--------|--------------|-----------|-----------------|------------------|--------------------|
| | | O.D. | No. Teeth | | | |
| 6.5-4-2781 | 1810 | 2.024 | 39 | 2.750 | 2.438 | 5.531 |
| 6.5-4-2781-1 | 1810 | 2.024 | 39 | 2.750 | 2.438 | 5.625 |
| 6.5-4-2831X | 1810 | 2.225 | 06 | 3.000 | 3.250 | 6.000 |
| 6.5-4-2911 | 1810 | 2.005 | 15 | 2.875 | 2.500 | 5.250 |
| 6.5-4-2931X | 1810 | 2.750 | 10 | 3.500 | 3.000 | 6.062 |
| 6.5-4-3011 | 1810 | 2.350 | 16 | 3.750 | 2.750 | 5.562 |
| 6.5-4-3021 | 1810 | 2.635 | 20 | 3.750 | 2.750 | 5.562 |
| 6.5-4-3021-1 | 1810 | 2.635 | 20 | 3.750 | 2.750 | 5.562 |
| 6.5-4-3161 | 1810 | 2.364 | 36 | 3.000 | 2.688 | 5.438 |
| 6.5-4-3201 | 1810 | 2.374 | 46 | 3.250 | 2.875 | 5.688 |
| 6.5-4-3201-1 | 1810 | 2.374 | 46 | 3.250 | 2.875 | 5.688 |
| 6.5-4-3221-1X | 1810 | 2.374 | 46 | 3.250 | 2.875 | 5.688 |
| 6.5-4-3221X | 1810 | 2.374 | 46 | 3.250 | 2.875 | 5.688 |
| 6.5-4-3251 | 1810 | 2.374 | 46 | 3.500 | 2.406 | 5.406 |
| 6.5-4-3251-1 | 1810 | 2.374 | 46 | 3.500 | 2.406 | 5.406 |
| 6.5-4-3261 | 1810 | 2.024 | 39 | 2.750 | 2.000 | 5.188 |
| 6.5-4-3261-1 | 1810 | 2.024 | 39 | 2.750 | 2.000 | 5.188 |
| 6.5-4-3281-1X | 1810 | 2.274 | 44 | 2.938 | 2.500 | 5.250 |
| 6.5-4-3281X | 1810 | 2.274 | 44 | 2.938 | 2.500 | 5.250 |
| 6.5-4-3361 | 1810 | 2.560 | 20 | 3.500 | 3.344 | 6.125 |
| 6.5-4-3361-1 | 1810 | 2.560 | 20 | 3.500 | 3.344 | 6.125 |
| 6.5-4-3371 | 1810 | 2.024 | 39 | 3.000 | 2.312 | 5.190 |
| 6.5-4-3371-1 | 1810 | 2.024 | 39 | 3.000 | 2.312 | 5.190 |
| 6.5-4-3381-1X | 1810 | 2.024 | 39 | 3.000 | 2.312 | 5.190 |
| 6.5-4-3381X | 1810 | 2.024 | 39 | 3.000 | 2.312 | 5.190 |
| 6.5-4-3441 | 1810 | 2.374 | 46 | 3.750 | 2.406 | 5.219 |
| 6.5-4-3441-1 | 1810 | 2.374 | 46 | 3.750 | 2.406 | 5.219 |
| 6.5-4-3451 | 1810 | 2.500 | 10 | 3.750 | 3.000 | 5.875 |
| 6.5-4-3451-1 | 1810 | 2.500 | 10 | 3.750 | 3.000 | 5.875 |
| 6.5-4-3461 | 1810 | 2.750 | 10 | 3.750 | 3.000 | 6.062 |
| 6.5-4-3461-1 | 1810 | 2.750 | 10 | 3.750 | 3.000 | 6.062 |
| 6.5-4-3491 | 1810 | 2.750 | 10 | 3.750 | 3.000 | 6.062 |
| 6.5-4-3491-1 | 1810 | 2.750 | 10 | 3.750 | 3.000 | 6.062 |
| 6.5-4-3501-1X | 1810 | 2.750 | 10 | 3.750 | 3.000 | 6.062 |
| 6.5-4-3501X | 1810 | 2.750 | 10 | 3.750 | 3.000 | 6.062 |
| 6.5-4-3541-1X | 1810 | 2.635 | 20 | 3.750 | 2.750 | 5.562 |
| 6.5-4-3541X | 1810 | 2.635 | 20 | 3.750 | 2.750 | 5.562 |
| 6.5-4-3551-1X | 1810 | 2.500 | 10 | 3.750 | 3.000 | 5.875 |
| 6.5-4-3551X | 1810 | 2.500 | 10 | 3.750 | 3.000 | 5.875 |
| 6.5-4-3561-1X | 1810 | 2.750 | 10 | 3.750 | 3.000 | 6.062 |
| 6.5-4-3561X | 1810 | 2.750 | 10 | 3.750 | 3.000 | 6.062 |
| 6.5-4-3571-1X | 1810 | 2.024 | 39 | 2.750 | 2.438 | 5.625 |
| 6.5-4-3571X | 1810 | 2.024 | 39 | 2.750 | 2.438 | 5.531 |
| 6.5-4-3581-1X | 1810 | 2.374 | 46 | 3.250 | 2.875 | 5.688 |
| 6.5-4-3581X | 1810 | 2.374 | 46 | 3.250 | 2.875 | 5.688 |
| 6.5-4-3611 | 1810 | 2.544 | 49 | 3.750 | 3.000 | 5.875 |
| 6.5-4-3611-1 | 1810 | 2.544 | 49 | 3.750 | 3.000 | 5.875 |
| 6.5-4-3621-1X | 1810 | 2.544 | 49 | 3.750 | 3.000 | 5.875 |
| 6.5-4-3621X | 1810 | 2.544 | 49 | 3.750 | 3.000 | 5.875 |
| 6.5-4-3641X | 1810 | 2.364 | 36 | 3.000 | 2.688 | 5.438 |
| 6.5-4-3651X | 1810 | 2.364 | 36 | 3.000 | 2.688 | 5.438 |
| 6.5-4-3681 | 1810 | 2.143 | 41 | 2.938 | 2.500 | 5.250 |
| 6.5-4-3681-1 | 1810 | 2.143 | 41 | 2.938 | 2.500 | 5.250 |
| 6.5-4-3691-1X | 1810 | 2.143 | 41 | 2.938 | 2.500 | 5.250 |
| 6.5-4-3691X | 1810 | 2.143 | 41 | 2.938 | 2.500 | 5.250 |

| Part Number | Series | Splines Data | | Ground Hub Dia. | Length Thru Hole | *C/L to End of Hub |
|---------------|--------|--------------|-----------|-----------------|------------------|--------------------|
| | | O.D. | No. Teeth | | | |
| 6.5-4-3721 | 1810 | 2.390 | 46 | 3.250 | 2.312 | 5.156 |
| 6.5-4-3721-1 | 1810 | 2.390 | 46 | 3.250 | 2.312 | 5.156 |
| 6.5-4-3731-1X | 1810 | 2.390 | 46 | 3.250 | 2.312 | 5.156 |
| 6.5-4-3731X | 1810 | 2.390 | 46 | 3.250 | 2.312 | 5.156 |
| 6.5-4-3801-1 | 1810 | 2.750 | 10 | 3.875 | 3.000 | 6.062 |
| 6.5-4-3821-1 | 1810 | 2.544 | 49 | 4.000 | 2.750 | 5.562 |
| 6.5-4-3851-1X | 1810 | 2.024 | 39 | 3.000 | 2.320 | 5.188 |
| 6.5-4-3881-1X | 1810 | 2.024 | 39 | 3.000 | 2.312 | 5.750 |
| 6.5-4-3911 | 1810 | 2.390 | 46 | 3.375 | 3.188 | 6.000 |
| 6.5-4-3911-1 | 1810 | 2.390 | 46 | 3.375 | 3.188 | 6.000 |
| 6.5-4-3921-1X | 1810 | 2.390 | 46 | 3.375 | 3.188 | 6.000 |
| 6.5-4-3921X | 1810 | 2.390 | 46 | 3.375 | 3.188 | 6.000 |
| 6.5-4-3931 | 1810 | 2.143 | 41 | 2.938 | 3.000 | 5.812 |
| 6.5-4-4001-1X | 1810 | 2.374 | 46 | 3.750 | 2.406 | 5.219 |
| 6.5-4-4001X | 1810 | 2.374 | 46 | 3.750 | 2.406 | 5.219 |
| 6.5-4-4011-1X | 1810 | 2.374 | 46 | 3.750 | 2.406 | 5.219 |
| 6.5-4-4011X | 1810 | 2.374 | 46 | 3.750 | 2.406 | 5.219 |
| 6.5-4-4081-1 | 1810 | 2.274 | 44 | 2.938 | 2.344 | 5.090 |
| 6.5-4-4091-1X | 1810 | 2.274 | 44 | 2.938 | 2.344 | 5.090 |
| 6.5-4-4191-1X | 1810 | 2.024 | 39 | 3.000 | 2.312 | 5.190 |
| 6.5-4-4211-1 | 1810 | 2.364 | 18 | 3.750 | 2.344 | 5.625 |
| 6.5-4-4221-1X | 1810 | 2.250 | 10 | 3.125 | 2.250 | 5.375 |
| 6.5-4-4241-1X | 1810 | 2.250 | 10 | 3.312 | 2.250 | 5.375 |
| 6.5-4-4261-1X | 1810 | 2.500 | 10 | 3.500 | 2.406 | 5.406 |
| 6.5-4-4271-1X | 1810 | 2.374 | 46 | 3.500 | 2.406 | 5.406 |
| 6.5-4-4271X | 1810 | 2.374 | 46 | 3.500 | 2.406 | 5.406 |
| 6.5-4-4281-1X | 1810 | 2.024 | 39 | 2.750 | 2.000 | 5.188 |
| 6.5-4-4281X | 1810 | 2.024 | 39 | 2.750 | 2.000 | 5.188 |
| 6.5-4-4291-1X | 1810 | 2.500 | 10 | 3.500 | 2.406 | 5.406 |
| 6.5-4-4291X | 1810 | 2.500 | 10 | 3.500 | 2.406 | 5.406 |
| 6.5-4-4311 | 1810 | 2.274 | 44 | 3.000 | 2.500 | 5.250 |
| 6.5-4-4311-1 | 1810 | 2.274 | 44 | 3.000 | 2.500 | 5.250 |
| 6.5-4-4321 | 1810 | 2.274 | 44 | 2.938 | 2.500 | 5.250 |
| 6.5-4-4321-1 | 1810 | 2.274 | 44 | 2.938 | 2.500 | 5.250 |
| 6.5-4-4351-1X | 1810 | 2.274 | 44 | 2.938 | 2.500 | 5.250 |
| 6.5-4-4351X | 1810 | 2.274 | 44 | 2.938 | 2.500 | 5.250 |
| 6.5-4-4411-1 | 1810 | 2.364 | 36 | 3.000 | 2.688 | 5.438 |
| 6.5-4-4421-1X | 1810 | 2.364 | 36 | 3.000 | 2.688 | 5.438 |
| 6.5-4-4431-1 | 1810 | 2.364 | 36 | 3.000 | 2.688 | 5.438 |
| 6.5-4-4441-1X | 1810 | 2.364 | 36 | 3.000 | 2.688 | 5.438 |
| 6.5-4-4451-1 | 1810 | 2.114 | 32 | 3.000 | 2.250 | 5.000 |
| 6.5-4-4461-1X | 1810 | 2.114 | 32 | 3.000 | 2.250 | 5.000 |
| 6.5-4-4471-1 | 1810 | 2.364 | 36 | 3.500 | 2.500 | 5.230 |
| 6.5-4-4481-1X | 1810 | 2.364 | 36 | 3.500 | 2.500 | 5.230 |
| 6.5-4-4571-1X | 1810 | 2.274 | 44 | 3.000 | 2.500 | 5.250 |
| 6.5-4-4571X | 1810 | 2.274 | 44 | 3.000 | 2.500 | 5.250 |
| 6.5-4-4591-1X | 1810 | 2.274 | 44 | 2.938 | 2.344 | 5.090 |
| 6.5-4-4601-1X | 1810 | 2.143 | 41 | 2.938 | 2.500 | 5.250 |
| 6.5-4-4601X | 1810 | 2.143 | 41 | 2.938 | 2.500 | 5.250 |
| 6.5-4-4611-1X | 1810 | 2.390 | 46 | 3.375 | 3.188 | 6.000 |
| 6.5-4-4611X | 1810 | 2.390 | 46 | 3.375 | 3.188 | 6.000 |
| 6.5-4-4621X | 1810 | 2.143 | 41 | 2.938 | 3.000 | 5.812 |
| 6.5-4-4631 | 1810 | 2.794 | 54 | 2.750 | 2.750 | 5.625 |
| 6.5-4-4631-1 | 1810 | 2.794 | 54 | 2.750 | 2.750 | 5.625 |
| 6.5-4-4651-1 | 1810 | 2.024 | 39 | 3.000 | 2.250 | 5.000 |

| Part Number | Series | Spline Data | | Ground Hub Dia. | Length Thru Hole | *C/L to End of Hub |
|---------------|--------|-------------|-----------|-----------------|------------------|--------------------|
| | | O.D. | No. Teeth | | | |
| 6.5-4-4661-1X | 1810 | 2.024 | 39 | 3.000 | 2.250 | 5.000 |
| 6.5-4-5091 | 1810 | 2.544 | 49 | 3.818 | 2.141 | 5.740 |
| 6.5-4-5091-1 | 1810 | 2.544 | 49 | 3.818 | 2.141 | 5.740 |
| 6.5-4-5111X | 1810 | 2.390 | 46 | 3.250 | 2.312 | 5.156 |
| 6.5-4-5131-1X | 1810 | 2.750 | 43 | 3.750 | 1.792 | 5.406 |
| 6.5-4-5131X | 1810 | 2.750 | 43 | 3.750 | 1.792 | 5.406 |
| 6-4-02877-1X | 1710 | 2.143 | 41 | 3.000 | 2.166 | 5.380 |
| 6-4-03553-1X | 1710 | 2.390 | 46 | 3.250 | 2.328 | 5.391 |
| 6-4-08438X | 1710 | 2.544 | 49 | 3.819 | 2.677 | 6.050 |
| 6-4-08439-1X | 1710 | 2.544 | 49 | 3.819 | 2.677 | 6.050 |
| 6-4-08446X | SPL250 | 2.544 | 49 | 3.819 | 2.672 | 6.200 |
| 6-4-08447-1X | 1710 | 2.143 | 41 | 2.938 | 3.000 | 6.620 |
| 6-4-08449X | 1710 | 2.544 | 49 | 3.819 | 2.125 | 6.260 |
| 6-4-08450-1X | 1710 | 2.544 | 49 | 3.819 | 2.125 | 6.260 |
| 6-4-08452X | 1710 | 2.544 | 49 | 3.819 | 2.125 | 5.570 |
| 6-4-08453-1X | 1710 | 2.544 | 49 | 3.819 | 2.125 | 5.570 |
| 6-4-10291 | 1710 | 2.544 | 49 | 3.819 | 2.125 | 5.570 |
| 6-4-10291-1 | 1710 | 2.544 | 49 | 3.819 | 2.125 | 5.570 |
| 6-4-10301 | 1710 | 2.143 | 41 | 2.938 | 3.000 | 6.620 |
| 6-4-10301-1 | 1710 | 2.143 | 41 | 2.938 | 3.000 | 6.620 |
| 6-4-10311 | 1710 | 2.544 | 49 | 3.819 | 2.125 | 6.260 |
| 6-4-10311-1 | 1710 | 2.544 | 49 | 3.819 | 2.125 | 6.260 |
| 6-4-10321-1X | 1710 | 2.024 | 39 | 3.000 | 2.281 | 5.250 |
| 6-4-10351-1X | 1710 | 2.750 | 43 | 3.750 | 1.792 | 5.929 |
| 6-4-10351X | 1710 | 2.750 | 43 | 3.750 | 1.792 | 5.929 |
| 6-4-10401-1X | 1710 | 2.024 | 39 | 3.000 | 2.281 | 6.125 |
| 6-4-1971 | 1710 | 2.250 | 10 | 3.250 | 2.250 | 5.250 |
| 6-4-1991 | 1710 | 2.250 | 10 | 3.000 | 3.000 | 6.062 |
| 6-4-1991-1 | 1710 | 2.250 | 10 | 3.000 | 3.000 | 6.062 |
| 6-4-2001 | 1710 | 2.000 | 10 | 3.250 | 3.000 | 5.625 |
| 6-4-2061 | 1710 | 1.960 | 10 | 2.938 | 2.219 | 4.500 |
| 6-4-2141 | 1710 | 2.250 | 10 | 3.500 | 3.000 | 5.250 |
| 6-4-2181 | 1710 | 2.149 | 16 | 2.938 | 3.000 | 5.500 |
| 6-4-2191 | 1710 | 2.000 | 10 | 2.938 | 3.000 | 5.625 |
| 6-4-2211 | 1710 | 1.964 | 10 | 2.625 | 2.250 | 4.500 |
| 6-4-2381 | 1710 | 1.750 | 10 | 2.750 | 2.250 | 4.875 |
| 6-4-2441 | 1710 | 2.250 | 10 | 3.125 | 2.250 | 5.250 |
| 6-4-2511 | 1710 | 2.250 | 10 | 3.000 | 2.875 | 5.250 |
| 6-4-3001 | 1710 | 2.005 | 15 | 2.875 | 2.500 | 5.375 |
| 6-4-3021 | 1710 | 2.631 | 25 | 3.625 | 3.000 | 5.250 |
| 6-4-3031 | 1710 | 2.225 | 06 | 3.000 | 3.250 | 5.312 |
| 6-4-3031-1 | 1710 | 2.225 | 06 | 3.000 | 3.250 | 5.438 |
| 6-4-3041-1X | 1710 | 2.225 | 06 | 3.000 | 3.250 | 5.438 |
| 6-4-3041X | 1710 | 2.225 | 06 | 3.000 | 3.250 | 5.312 |
| 6-4-3141 | 1710 | 3.003 | 23 | 4.000 | 3.031 | 4.844 |
| 6-4-3161 | 1710 | 2.422 | 18 | 3.375 | 3.000 | 5.250 |
| 6-4-3221 | 1710 | 1.960 | 10 | 2.750 | 2.625 | 5.250 |
| 6-4-3221-1 | 1710 | 1.960 | 10 | 2.750 | 2.625 | 5.250 |
| 6-4-3241 | 1710 | 2.000 | 10 | 2.938 | 2.562 | 5.188 |
| 6-4-3291 | 1710 | 1.964 | 10 | 3.000 | 2.250 | 4.562 |
| 6-4-3501-1 | 1710 | 2.260 | 06 | 3.250 | 2.250 | 5.300 |
| 6-4-3791 | 1710 | 2.032 | 10 | 2.750 | 2.000 | 5.000 |
| 6-4-3831 | 1710 | 1.962 | 10 | 2.750 | 2.812 | 5.156 |
| 6-4-3831-1 | 1710 | 1.962 | 10 | 2.750 | 2.812 | 5.156 |
| 6-4-4091 | 1710 | 1.750 | 10 | 2.750 | 2.250 | 6.250 |

| Part Number | Series | Spline Data | | Ground Hub Dia. | Length Thru Hole | *C/L to End of Hub |
|-------------|--------|-------------|-----------|-----------------|------------------|--------------------|
| | | O.D. | No. Teeth | | | |
| 6-4-4151 | 1710 | 1.962 | 10 | 2.625 | 2.250 | 6.125 |
| 6-4-4151-1 | 1710 | 1.962 | 10 | 2.625 | 2.250 | 6.125 |
| 6-4-4171-1X | 1710 | 2.149 | 16 | 2.938 | 3.000 | 5.500 |
| 6-4-4171X | 1710 | 2.149 | 16 | 2.938 | 3.000 | 5.500 |
| 6-4-4271 | 1710 | 1.775 | 16 | 2.375 | 2.000 | 4.750 |
| 6-4-4291X | 1710 | 2.000 | 10 | 2.938 | 2.562 | 5.188 |
| 6-4-4301X | 1710 | 1.750 | 10 | 2.625 | 2.250 | 5.250 |
| 6-4-4361X | 1710 | 1.960 | 10 | 2.750 | 2.625 | 5.250 |
| 6-4-4371 | 1710 | 1.939 | 30 | 3.000 | 2.250 | 4.562 |
| 6-4-4391X | 1710 | 2.000 | 10 | 2.750 | 2.562 | 5.188 |
| 6-4-4411-1X | 1710 | 2.250 | 10 | 3.000 | 3.000 | 6.062 |
| 6-4-4411X | 1710 | 2.250 | 10 | 3.000 | 3.000 | 6.062 |
| 6-4-4421 | 1710 | 2.500 | 10 | 3.500 | 2.406 | 5.156 |
| 6-4-4421-1 | 1710 | 2.500 | 10 | 3.500 | 2.406 | 5.156 |
| 6-4-4481X | 1710 | 1.960 | 10 | 2.750 | 2.625 | 6.500 |
| 6-4-4531 | 1710 | 2.351 | 16 | 3.750 | 2.750 | 5.188 |
| 6-4-4551 | 1710 | 2.750 | 10 | 3.500 | 3.000 | 5.750 |
| 6-4-4551-1 | 1710 | 2.750 | 10 | 3.500 | 3.000 | 5.750 |
| 6-4-4561 | 1710 | 2.364 | 18 | 3.500 | 3.375 | 5.750 |
| 6-4-4561-1 | 1710 | 2.364 | 18 | 3.500 | 3.375 | 5.750 |
| 6-4-4581 | 1710 | 2.422 | 18 | 3.375 | 3.000 | 5.812 |
| 6-4-4581-1 | 1710 | 2.422 | 18 | 3.375 | 3.000 | 5.812 |
| 6-4-4591 | 1710 | 2.149 | 16 | 2.938 | 3.000 | 6.625 |
| 6-4-4601 | 1710 | 2.350 | 16 | 3.312 | 2.750 | 4.938 |
| 6-4-4651 | 1710 | 2.750 | 10 | 4.000 | 2.938 | 5.312 |
| 6-4-4651-1 | 1710 | 2.750 | 10 | 4.000 | 2.938 | 5.312 |
| 6-4-4721 | 1710 | 1.962 | 10 | 2.625 | 2.250 | 4.500 |
| 6-4-4731-1X | 1710 | 1.962 | 10 | 2.625 | 2.250 | 4.500 |
| 6-4-4731X | 1710 | 1.962 | 10 | 2.625 | 2.250 | 4.500 |
| 6-4-4741X | 1710 | 2.000 | 10 | 2.938 | 2.562 | 5.188 |
| 6-4-4751-1X | 1710 | 2.422 | 18 | 3.375 | 3.000 | 5.812 |
| 6-4-4751X | 1710 | 2.422 | 18 | 3.375 | 3.000 | 5.812 |
| 6-4-4771 | 1710 | 2.390 | 46 | 3.500 | 3.375 | 5.750 |
| 6-4-4771-1 | 1710 | 2.390 | 46 | 3.500 | 3.375 | 5.750 |
| 6-4-4831X | 1710 | 1.750 | 10 | 2.750 | 2.250 | 6.250 |
| 6-4-4851-1X | 1710 | 1.962 | 10 | 2.625 | 2.250 | 6.125 |
| 6-4-4851X | 1710 | 1.962 | 10 | 2.625 | 2.250 | 6.125 |
| 6-4-4861X | 1710 | 1.750 | 10 | 2.625 | 2.250 | 6.125 |
| 6-4-4961 | 1710 | 2.149 | 16 | 2.938 | 2.500 | 5.188 |
| 6-4-5031-1 | 1710 | 1.790 | 34 | 2.562 | 2.750 | 5.594 |
| 6-4-5041-1X | 1710 | 1.790 | 34 | 2.562 | 2.750 | 5.594 |
| 6-4-5041X | 1710 | 1.790 | 34 | 2.562 | 2.750 | 7.188 |
| 6-4-5061X | 1710 | 2.149 | 16 | 2.938 | 2.500 | 5.188 |
| 6-4-5101X | 1710 | 2.024 | 39 | 3.000 | 2.438 | 5.188 |
| 6-4-5111X | 1710 | 1.774 | 34 | 2.500 | 2.250 | 5.969 |
| 6-4-5131-1X | 1710 | 1.774 | 34 | 2.500 | 2.250 | 4.875 |
| 6-4-5131X | 1710 | 1.774 | 34 | 2.500 | 2.250 | 4.875 |
| 6-4-5141 | 1710 | 1.962 | 10 | 2.625 | 2.250 | 5.250 |
| 6-4-5151X | 1710 | 1.962 | 10 | 2.625 | 2.250 | 5.250 |
| 6-4-5251X | 1710 | 2.750 | 10 | 3.500 | 3.000 | 5.750 |
| 6-4-5341 | 1710 | 2.350 | 16 | 3.750 | 2.750 | 5.188 |
| 6-4-5351 | 1710 | 2.635 | 20 | 3.750 | 2.750 | 5.188 |
| 6-4-5351-1 | 1710 | 2.635 | 20 | 3.750 | 2.750 | 5.188 |
| 6-4-5451 | 1710 | 2.374 | 46 | 3.250 | 2.625 | 5.688 |
| 6-4-5451-1 | 1710 | 2.374 | 46 | 3.250 | 2.625 | 5.688 |

| Part Number | Series | Splines Data | | Ground Hub Dia. | Length Thru Hole | *C/L to End of Hub |
|-------------|--------|--------------|-----------|-----------------|------------------|--------------------|
| | | O.D. | No. Teeth | | | |
| 6-4-5461-1X | 1710 | 2.374 | 46 | 3.250 | 2.625 | 5.688 |
| 6-4-5461X | 1710 | 2.374 | 46 | 3.250 | 2.625 | 5.688 |
| 6-4-5481X | 1710 | 2.149 | 16 | 2.938 | 3.000 | 6.625 |
| 6-4-5501 | 1710 | 2.024 | 39 | 2.750 | 2.438 | 6.500 |
| 6-4-5501-1 | 1710 | 2.024 | 39 | 2.750 | 2.438 | 6.500 |
| 6-4-5521 | 1710 | 2.024 | 39 | 2.750 | 2.438 | 5.250 |
| 6-4-5521-1 | 1710 | 2.024 | 39 | 2.750 | 2.438 | 5.250 |
| 6-4-5581-1X | 1710 | 1.750 | 10 | 2.625 | 2.250 | 4.500 |
| 6-4-5581X | 1710 | 1.750 | 10 | 2.625 | 2.250 | 4.500 |
| 6-4-5711 | 1710 | 2.364 | 36 | 3.000 | 2.688 | 5.438 |
| 6-4-5791 | 1710 | 2.114 | 32 | 3.000 | 2.250 | 6.250 |
| 6-4-5801 | 1710 | 2.364 | 36 | 3.000 | 2.688 | 6.500 |
| 6-4-5811 | 1710 | 2.114 | 32 | 3.000 | 2.250 | 4.562 |
| 6-4-5841 | 1710 | 2.374 | 46 | 3.500 | 2.406 | 5.156 |
| 6-4-5841-1 | 1710 | 2.374 | 46 | 3.500 | 2.406 | 5.156 |
| 6-4-5851 | 1710 | 2.024 | 39 | 2.750 | 2.000 | 5.000 |
| 6-4-5851-1 | 1710 | 2.024 | 39 | 2.750 | 2.000 | 5.000 |
| 6-4-5931 | 1710 | 2.374 | 46 | 3.250 | 2.875 | 5.938 |
| 6-4-5931-1 | 1710 | 2.374 | 46 | 3.250 | 2.875 | 5.938 |
| 6-4-5961-1X | 1710 | 2.374 | 46 | 3.250 | 2.875 | 5.938 |
| 6-4-5961X | 1710 | 2.374 | 46 | 3.250 | 2.875 | 5.938 |
| 6-4-6001X | 1710 | 2.024 | 39 | 2.625 | 2.250 | 5.250 |
| 6-4-6021-1X | 1710 | 2.024 | 39 | 2.625 | 2.250 | 6.125 |
| 6-4-6021X | 1710 | 2.024 | 39 | 2.625 | 2.250 | 6.125 |
| 6-4-6041-1X | 1710 | 2.274 | 44 | 2.938 | 2.500 | 5.188 |
| 6-4-6041X | 1710 | 2.274 | 44 | 2.938 | 2.500 | 5.188 |
| 6-4-6321 | 1710 | 1.774 | 34 | 2.500 | 2.250 | 5.969 |
| 6-4-6321-1 | 1710 | 1.774 | 34 | 2.500 | 2.250 | 5.969 |
| 6-4-6331 | 1710 | 1.774 | 34 | 2.500 | 2.250 | 4.875 |
| 6-4-6331-1 | 1710 | 1.774 | 34 | 2.500 | 2.250 | 4.875 |
| 6-4-6371 | 1710 | 2.024 | 39 | 3.000 | 2.312 | 6.250 |
| 6-4-6371-1 | 1710 | 2.024 | 39 | 3.000 | 2.312 | 6.250 |
| 6-4-6381X | 1710 | 2.024 | 39 | 3.000 | 2.312 | 6.250 |
| 6-4-6391-1X | 1710 | 2.024 | 39 | 3.000 | 2.312 | 6.250 |
| 6-4-6391X | 1710 | 2.024 | 39 | 3.000 | 2.312 | 6.250 |
| 6-4-6401 | 1710 | 2.024 | 39 | 3.000 | 2.327 | 5.156 |
| 6-4-6401-1 | 1710 | 2.024 | 39 | 3.000 | 2.327 | 5.156 |
| 6-4-6411X | 1710 | 2.024 | 39 | 3.000 | 2.327 | 5.156 |
| 6-4-6421-1X | 1710 | 2.024 | 39 | 3.000 | 2.327 | 5.156 |
| 6-4-6421X | 1710 | 2.024 | 39 | 3.000 | 2.327 | 5.156 |
| 6-4-6451 | 1710 | 1.790 | 34 | 2.625 | 2.438 | 6.312 |
| 6-4-6451-1 | 1710 | 1.790 | 34 | 2.625 | 2.438 | 6.312 |
| 6-4-6481 | 1710 | 1.790 | 34 | 2.625 | 2.438 | 5.438 |
| 6-4-6571 | 1710 | 2.024 | 39 | 2.750 | 2.000 | 5.875 |
| 6-4-6571-1 | 1710 | 2.024 | 39 | 2.750 | 2.000 | 5.875 |
| 6-4-6601 | 1710 | 2.374 | 46 | 3.752 | 2.422 | 4.938 |
| 6-4-6601-1 | 1710 | 2.374 | 46 | 3.752 | 2.422 | 4.938 |
| 6-4-6611 | 1710 | 2.500 | 10 | 3.750 | 3.000 | 5.625 |
| 6-4-6611-1 | 1710 | 2.500 | 10 | 3.750 | 3.000 | 5.625 |
| 6-4-6631 | 1710 | 2.750 | 10 | 3.750 | 3.000 | 5.750 |
| 6-4-6631-1 | 1710 | 2.750 | 10 | 3.750 | 3.000 | 5.750 |
| 6-4-6821 | 1710 | 2.750 | 10 | 3.750 | 3.000 | 5.750 |
| 6-4-6821-1 | 1710 | 2.750 | 10 | 3.750 | 3.000 | 5.750 |
| 6-4-6841-1X | 1710 | 2.750 | 10 | 3.750 | 3.000 | 5.750 |
| 6-4-6841X | 1710 | 2.750 | 10 | 3.750 | 3.000 | 5.750 |

| Part Number | Series | Splines Data | | Ground Hub Dia. | Length Thru Hole | *C/L to End of Hub |
|-------------|--------|--------------|-----------|-----------------|------------------|--------------------|
| | | O.D. | No. Teeth | | | |
| 6-4-6861 | 1710 | 2.250 | 10 | 3.500 | 3.000 | 5.250 |
| 6-4-6861-1 | 1710 | 2.250 | 10 | 3.500 | 3.000 | 5.250 |
| 6-4-6871-1X | 1710 | 2.024 | 39 | 2.750 | 2.438 | 6.500 |
| 6-4-6871X | 1710 | 2.024 | 39 | 2.750 | 2.438 | 6.500 |
| 6-4-6891X | 1710 | 2.250 | 10 | 3.000 | 3.000 | 7.188 |
| 6-4-6901-1X | 1710 | 2.250 | 10 | 3.500 | 3.000 | 5.250 |
| 6-4-6901X | 1710 | 2.250 | 10 | 3.500 | 3.000 | 5.250 |
| 6-4-6921-1X | 1710 | 2.500 | 10 | 3.750 | 3.000 | 5.625 |
| 6-4-6921X | 1710 | 2.500 | 10 | 3.750 | 3.000 | 5.625 |
| 6-4-6931-1X | 1710 | 2.750 | 10 | 3.750 | 3.000 | 5.750 |
| 6-4-6931X | 1710 | 2.750 | 10 | 3.750 | 3.000 | 5.750 |
| 6-4-6941X | 1710 | 2.024 | 39 | 2.750 | 2.438 | 4.812 |
| 6-4-6951-1X | 1710 | 2.024 | 39 | 2.750 | 2.438 | 5.250 |
| 6-4-6951X | 1710 | 2.024 | 39 | 2.750 | 2.438 | 5.250 |
| 6-4-6961-1X | 1710 | 2.374 | 46 | 3.250 | 2.875 | 5.938 |
| 6-4-6961X | 1710 | 2.374 | 46 | 3.250 | 2.875 | 5.938 |
| 6-4-6971 | 1710 | 2.364 | 18 | 3.750 | 2.344 | 5.094 |
| 6-4-6971-1 | 1710 | 2.364 | 18 | 3.750 | 2.344 | 5.094 |
| 6-4-7041-1X | 1710 | 2.544 | 49 | 3.755 | 3.000 | 5.625 |
| 6-4-7041X | 1710 | 2.544 | 49 | 3.755 | 3.000 | 5.625 |
| 6-4-7051 | 1710 | 2.544 | 49 | 3.755 | 3.000 | 5.625 |
| 6-4-7051-1 | 1710 | 2.544 | 49 | 3.755 | 3.000 | 5.625 |
| 6-4-7071-1X | 1710 | 2.635 | 20 | 3.750 | 2.750 | 5.188 |
| 6-4-7071X | 1710 | 2.635 | 20 | 3.750 | 2.750 | 5.188 |
| 6-4-7161 | 1710 | 2.390 | 46 | 3.250 | 2.328 | 5.391 |
| 6-4-7161-1 | 1710 | 2.390 | 46 | 3.250 | 2.328 | 5.391 |
| 6-4-7171X | 1710 | 2.114 | 32 | 3.000 | 2.250 | 6.250 |
| 6-4-7181-1X | 1710 | 2.390 | 46 | 3.250 | 2.328 | 5.391 |
| 6-4-7181X | 1710 | 2.390 | 46 | 3.250 | 2.328 | 5.391 |
| 6-4-7191X | 1710 | 2.364 | 36 | 3.000 | 2.688 | 5.438 |
| 6-4-7201 | 1710 | 2.364 | 36 | 3.000 | 2.688 | 5.438 |
| 6-4-7211X | 1710 | 2.364 | 36 | 3.000 | 2.688 | 5.438 |
| 6-4-7221X | 1710 | 2.114 | 32 | 3.000 | 2.250 | 4.562 |
| 6-4-7231X | 1710 | 1.989 | 30 | 3.000 | 2.700 | 6.280 |
| 6-4-7241X | 1710 | 2.364 | 36 | 3.000 | 2.688 | 6.500 |
| 6-4-7251 | 1710 | 2.343 | 45 | 3.750 | 3.000 | 5.250 |
| 6-4-7251-1 | 1710 | 2.343 | 45 | 3.750 | 3.000 | 5.250 |
| 6-4-7271-1X | 1710 | 2.343 | 45 | 3.750 | 3.000 | 5.250 |
| 6-4-7271X | 1710 | 2.343 | 45 | 3.750 | 3.000 | 5.250 |
| 6-4-7301 | 1710 | 1.998 | 38 | 2.750 | 2.125 | 5.250 |
| 6-4-7301-1 | 1710 | 1.998 | 38 | 2.750 | 2.125 | 5.250 |
| 6-4-7311 | 1710 | 2.143 | 41 | 2.938 | 2.500 | 5.190 |
| 6-4-7311-1 | 1710 | 2.143 | 41 | 2.938 | 2.500 | 5.190 |
| 6-4-7321-1X | 1710 | 2.143 | 41 | 2.938 | 2.500 | 5.190 |
| 6-4-7371-1 | 1710 | 2.250 | 10 | 3.750 | 3.000 | 5.250 |
| 6-4-7381-1X | 1710 | 2.250 | 10 | 3.750 | 3.000 | 5.250 |
| 6-4-7511 | 1710 | 2.390 | 46 | 3.375 | 3.188 | 6.000 |
| 6-4-7511-1 | 1710 | 2.390 | 46 | 3.375 | 3.188 | 6.000 |
| 6-4-7531-1X | 1710 | 2.390 | 46 | 3.375 | 3.188 | 6.000 |
| 6-4-7531X | 1710 | 2.390 | 46 | 3.375 | 3.188 | 6.000 |
| 6-4-7541 | 1710 | 2.143 | 41 | 2.938 | 3.000 | 6.625 |
| 6-4-7541-1 | 1710 | 2.143 | 41 | 2.938 | 3.000 | 6.625 |
| 6-4-7551 | 1710 | 2.143 | 41 | 2.938 | 2.500 | 6.125 |
| 6-4-7551-1 | 1710 | 2.143 | 41 | 2.938 | 2.500 | 6.125 |
| 6-4-7561-1X | 1710 | 2.143 | 41 | 2.938 | 2.500 | 6.125 |

| Part Number | Series | Spline Data | | Ground Hub Dia. | Length Thru Hole | *C/L to End of Hub |
|-------------|--------|-------------|-----------|-----------------|------------------|--------------------|
| | | O.D. | No. Teeth | | | |
| 6-4-7561X | 1710 | 2.143 | 41 | 2.938 | 2.500 | 6.125 |
| 6-4-7571-1 | 1710 | 1.790 | 34 | 2.625 | 2.188 | 5.438 |
| 6-4-7581-1X | 1710 | 1.790 | 34 | 2.625 | 2.188 | 5.438 |
| 6-4-7621-1 | 1710 | 2.024 | 39 | 3.000 | 2.312 | 5.156 |
| 6-4-7631-1X | 1710 | 2.024 | 39 | 3.000 | 2.312 | 5.156 |
| 6-4-7641-1X | 1710 | 2.024 | 39 | 3.000 | 2.312 | 5.156 |
| 6-4-7651-1X | 1710 | 2.143 | 41 | 2.938 | 3.000 | 6.625 |
| 6-4-7651X | 1710 | 2.143 | 41 | 2.938 | 3.000 | 6.625 |
| 6-4-7661-1 | 1710 | 2.750 | 10 | 3.812 | 3.000 | 5.750 |
| 6-4-7691 | 1710 | 2.544 | 49 | 4.000 | 2.750 | 5.188 |
| 6-4-7691-1 | 1710 | 2.544 | 49 | 4.000 | 2.750 | 5.188 |
| 6-4-7761 | 1710 | 2.390 | 46 | 3.250 | 2.344 | 6.500 |
| 6-4-7761-1 | 1710 | 2.390 | 46 | 3.250 | 2.344 | 6.500 |
| 6-4-7771-1X | 1710 | 2.390 | 46 | 3.250 | 2.344 | 6.500 |
| 6-4-7771X | 1710 | 2.390 | 46 | 3.250 | 2.344 | 6.500 |
| 6-4-7831 | 1710 | 2.374 | 46 | 3.250 | 2.891 | 6.938 |
| 6-4-7831-1 | 1710 | 2.374 | 46 | 3.250 | 2.891 | 6.938 |
| 6-4-7851-1X | 1710 | 2.374 | 46 | 3.250 | 2.891 | 6.938 |
| 6-4-7851X | 1710 | 2.374 | 46 | 3.250 | 2.891 | 6.938 |
| 6-4-7881-1X | 1710 | 2.374 | 46 | 3.752 | 2.422 | 4.938 |
| 6-4-7881X | 1710 | 2.374 | 46 | 3.752 | 2.422 | 4.938 |
| 6-4-7891-1X | 1710 | 2.374 | 46 | 3.752 | 2.422 | 4.938 |
| 6-4-7961 | 1710 | 2.274 | 44 | 2.938 | 2.359 | 5.031 |
| 6-4-7961-1 | 1710 | 2.274 | 44 | 2.938 | 2.359 | 5.031 |
| 6-4-7971-1X | 1710 | 2.274 | 44 | 2.938 | 2.359 | 5.031 |
| 6-4-7971X | 1710 | 2.274 | 44 | 2.938 | 2.359 | 5.031 |
| 6-4-7981 | 1710 | 2.024 | 39 | 2.625 | 2.250 | 6.125 |
| 6-4-7981-1 | 1710 | 2.024 | 39 | 2.625 | 2.250 | 6.125 |
| 6-4-7991 | 1710 | 2.024 | 39 | 2.625 | 2.250 | 5.250 |
| 6-4-7991-1 | 1710 | 2.024 | 39 | 2.625 | 2.250 | 5.250 |
| 6-4-8001 | 1710 | 1.790 | 34 | 2.625 | 2.438 | 6.312 |
| 6-4-8001-1 | 1710 | 1.790 | 34 | 2.625 | 2.438 | 6.312 |
| 6-4-8081 | 1710 | 1.790 | 34 | 2.625 | 2.438 | 5.438 |
| 6-4-8081-1 | 1710 | 1.790 | 34 | 2.625 | 2.438 | 5.438 |
| 6-4-8231-1X | 1710 | 2.024 | 39 | 2.625 | 2.250 | 5.250 |
| 6-4-8271-1 | 1710 | 2.250 | 10 | 3.312 | 2.250 | 5.297 |
| 6-4-8281-1X | 1710 | 2.250 | 10 | 3.312 | 2.250 | 5.297 |
| 6-4-8291-1X | 1710 | 2.260 | 06 | 3.250 | 2.250 | 5.300 |
| 6-4-8321-1X | 1710 | 2.500 | 10 | 3.500 | 2.406 | 5.156 |
| 6-4-8331-1X | 1710 | 2.024 | 39 | 2.750 | 2.000 | 5.000 |
| 6-4-8331X | 1710 | 2.024 | 39 | 2.750 | 2.000 | 5.000 |
| 6-4-8341-1X | 1710 | 2.374 | 46 | 3.500 | 2.406 | 5.156 |
| 6-4-8341X | 1710 | 2.374 | 46 | 3.500 | 2.406 | 5.156 |
| 6-4-8351-1X | 1710 | 2.500 | 10 | 3.500 | 2.406 | 5.156 |
| 6-4-8361-1X | 1710 | 2.024 | 39 | 2.750 | 2.000 | 5.875 |
| 6-4-8361X | 1710 | 2.024 | 39 | 2.750 | 2.000 | 5.875 |
| 6-4-8411 | 1710 | 2.024 | 39 | 3.000 | 2.281 | 6.125 |
| 6-4-8411-1 | 1710 | 2.024 | 39 | 3.000 | 2.281 | 6.125 |
| 6-4-8421 | 1710 | 2.024 | 39 | 3.000 | 2.281 | 5.250 |
| 6-4-8421-1 | 1710 | 2.024 | 39 | 3.000 | 2.281 | 5.250 |
| 6-4-8431 | 1710 | 2.024 | 39 | 2.625 | 2.500 | 6.125 |
| 6-4-8431-1 | 1710 | 2.024 | 39 | 2.625 | 2.500 | 6.125 |
| 6-4-8441 | 1710 | 2.024 | 39 | 2.625 | 2.500 | 5.250 |
| 6-4-8441-1 | 1710 | 2.024 | 39 | 2.625 | 2.500 | 5.250 |
| 6-4-8451 | 1710 | 2.274 | 44 | 3.000 | 2.500 | 5.190 |

| Part Number | Series | Spline Data | | Ground Hub Dia. | Length Thru Hole | *C/L to End of Hub |
|-------------|--------|-------------|-----------|-----------------|------------------|--------------------|
| | | O.D. | No. Teeth | | | |
| 6-4-8451-1 | 1710 | 2.274 | 44 | 3.000 | 2.500 | 5.190 |
| 6-4-8461 | 1710 | 2.274 | 44 | 2.938 | 2.500 | 5.188 |
| 6-4-8461-1 | 1710 | 2.274 | 44 | 2.938 | 2.500 | 5.188 |
| 6-4-8511-1X | 1710 | 1.790 | 34 | 2.625 | 2.438 | 5.438 |
| 6-4-8511X | 1710 | 1.790 | 34 | 2.625 | 2.438 | 5.438 |
| 6-4-8521-1X | 1710 | 1.790 | 34 | 2.625 | 2.438 | 6.312 |
| 6-4-8521X | 1710 | 1.790 | 34 | 2.625 | 2.438 | 6.312 |
| 6-4-8531-1X | 1710 | 2.024 | 39 | 2.625 | 2.250 | 5.250 |
| 6-4-8531X | 1710 | 2.024 | 39 | 2.625 | 2.250 | 5.250 |
| 6-4-8541-1X | 1710 | 2.024 | 39 | 2.625 | 2.250 | 6.125 |
| 6-4-8541X | 1710 | 2.024 | 39 | 2.625 | 2.250 | 6.125 |
| 6-4-8551-1X | 1710 | 2.274 | 44 | 2.938 | 2.500 | 5.188 |
| 6-4-8551X | 1710 | 2.274 | 44 | 2.938 | 2.500 | 5.188 |
| 6-4-8571-1X | 1710 | 2.024 | 39 | 3.000 | 2.312 | 6.250 |
| 6-4-8571X | 1710 | 2.024 | 39 | 3.000 | 2.312 | 6.250 |
| 6-4-8601-1X | 1710 | 2.024 | 39 | 3.000 | 2.312 | 5.156 |
| 6-4-8651-1 | 1710 | 1.998 | 38 | 3.000 | 2.125 | 4.844 |
| 6-4-8661-1X | 1710 | 1.998 | 38 | 3.000 | 2.125 | 4.844 |
| 6-4-8671-1 | 1710 | 2.114 | 32 | 3.000 | 2.250 | 4.562 |
| 6-4-8681-1X | 1710 | 2.114 | 32 | 3.000 | 2.250 | 4.562 |
| 6-4-8691-1 | 1710 | 2.364 | 36 | 3.000 | 2.688 | 5.438 |
| 6-4-8701-1X | 1710 | 2.364 | 36 | 3.000 | 2.688 | 5.438 |
| 6-4-8711-1 | 1710 | 2.364 | 36 | 3.000 | 2.688 | 5.438 |
| 6-4-8721-1X | 1710 | 2.364 | 36 | 3.000 | 2.688 | 5.438 |
| 6-4-8731-1 | 1710 | 1.989 | 30 | 3.000 | 2.703 | 6.281 |
| 6-4-8751-1 | 1710 | 2.114 | 32 | 3.000 | 2.250 | 6.062 |
| 6-4-8761-1X | 1710 | 2.114 | 32 | 3.000 | 2.250 | 6.062 |
| 6-4-8771-1 | 1710 | 2.364 | 36 | 3.000 | 2.703 | 6.500 |
| 6-4-8781-1X | 1710 | 2.364 | 36 | 3.000 | 2.703 | 6.500 |
| 6-4-8791-1 | 1710 | 2.364 | 36 | 3.500 | 2.500 | 5.234 |
| 6-4-8801-1X | 1710 | 2.364 | 36 | 3.500 | 2.500 | 5.234 |
| 6-4-8951-1 | 1710 | 2.374 | 46 | 3.500 | 2.406 | 5.840 |
| 6-4-8961-1X | 1710 | 2.374 | 46 | 3.500 | 2.406 | 5.840 |
| 6-4-8981-1X | 1710 | 2.274 | 44 | 3.000 | 2.500 | 5.190 |
| 6-4-8981X | 1710 | 2.274 | 44 | 3.000 | 2.500 | 5.190 |
| 6-4-8991-1X | 1710 | 2.024 | 39 | 3.000 | 2.281 | 6.125 |
| 6-4-8991X | 1710 | 2.024 | 39 | 3.000 | 2.281 | 6.125 |
| 6-4-9001-1X | 1710 | 2.024 | 39 | 2.625 | 2.500 | 6.125 |
| 6-4-9001X | 1710 | 2.024 | 39 | 2.625 | 2.500 | 6.125 |
| 6-4-9021-1 | 1710 | 1.790 | 34 | 2.500 | 2.250 | 4.875 |
| 6-4-9031-1X | 1710 | 2.024 | 39 | 3.000 | 2.281 | 5.250 |
| 6-4-9031X | 1710 | 2.024 | 39 | 3.000 | 2.281 | 5.250 |
| 6-4-9041-1X | 1710 | 2.024 | 39 | 2.625 | 2.500 | 5.250 |
| 6-4-9041X | 1710 | 2.024 | 39 | 2.625 | 2.500 | 5.250 |
| 6-4-9161-1X | 1710 | 2.274 | 44 | 2.938 | 2.359 | 5.031 |
| 6-4-9161X | 1710 | 2.274 | 44 | 2.938 | 2.359 | 5.031 |
| 6-4-9171-1X | 1710 | 2.143 | 41 | 2.938 | 2.500 | 5.190 |
| 6-4-9171X | 1710 | 2.143 | 41 | 2.938 | 2.500 | 5.190 |
| 6-4-9181-1X | 1710 | 2.143 | 41 | 2.938 | 2.500 | 6.125 |
| 6-4-9181X | 1710 | 2.143 | 41 | 2.938 | 2.500 | 6.125 |
| 6-4-9191-1X | 1710 | 2.143 | 41 | 2.938 | 3.000 | 6.625 |
| 6-4-9191X | 1710 | 2.143 | 41 | 2.938 | 3.000 | 6.625 |
| 6-4-9201-1X | 1710 | 2.390 | 46 | 3.375 | 3.188 | 6.000 |
| 6-4-9221 | 1710 | 2.178 | 43 | 3.539 | 2.047 | 4.875 |
| 6-4-9221-1 | 1710 | 2.178 | 43 | 3.539 | 2.047 | 4.875 |

| Part Number | Series | Spline Data | | Ground Hub Dia. | Length Thru Hole | *C/L to End of Hub |
|---------------|---------|-------------|-----------|-----------------|------------------|--------------------|
| | | O.D. | No. Teeth | | | |
| 6-4-9231 | 1710 | 2.794 | 54 | | 2.750 | 5.625 |
| 6-4-9231-1 | 1710 | 2.794 | 54 | | 2.750 | 5.625 |
| 6-4-9281-1 | 1710 | 2.024 | 39 | 3.000 | 2.500 | 6.120 |
| 6-4-9291-1 | 1710 | 2.024 | 39 | 3.000 | 2.250 | 6.000 |
| 6-4-9301-1X | 1710 | 2.024 | 39 | 3.000 | 2.250 | 6.000 |
| 6-4-9411-1 | 1710 | 2.024 | 39 | 3.000 | 2.500 | 5.438 |
| 6-4-9421-1 | 1710 | 2.024 | 39 | 3.000 | 2.250 | 4.656 |
| 6-4-9431-1X | 1710 | 2.024 | 39 | 3.000 | 2.250 | 4.656 |
| 6-4-9441-1X | 1710 | 2.024 | 39 | 3.000 | 2.250 | 4.656 |
| 6-4-9531-1X | 1710 | 2.390 | 46 | 3.250 | 2.312 | 5.125 |
| 6-4-9841-1X | 1710 | 2.149 | 16 | 2.938 | 3.000 | 6.625 |
| 6-4-9841X | 1710 | 2.149 | 16 | 2.938 | 3.000 | 6.625 |
| 6-4-9951-1 | 1710 | 1.998 | 38 | 3.000 | 2.125 | 4.840 |
| 6-4-9961-1X | 1710 | 1.998 | 38 | 3.000 | 2.125 | 4.840 |
| 70-4-01789-1X | SPL70 | 1.790 | 34 | 2.562 | 2.750 | 6.650 |
| 70-4-03330-1X | SPL70 | 2.024 | 39 | 3.000 | 1.847 | 3.875 |
| 70-4-06977X | SPL70 | 2.024 | 39 | 3.000 | 1.844 | 3.878 |
| 70-4-101-1 | SPL70 | 2.024 | 39 | 3.000 | 2.281 | 4.281 |
| 70-4-111-1X | SPL70 | 2.024 | 39 | 3.000 | 2.281 | 4.281 |
| 70-4-141-1 | SPL70 | 2.143 | 41 | 2.938 | 2.500 | 4.555 |
| 70-4-151-1X | SPL70 | 2.143 | 41 | 2.938 | 2.500 | 4.555 |
| 70-4-161-1 | SPL70 | 1.750 | 10 | 2.500 | 2.000 | 5.750 |
| 70-4-171-1X | SPL70 | 1.750 | 10 | 2.500 | 2.000 | 5.750 |
| 70-4-181-1 | SPL70 | 1.790 | 34 | 2.564 | 2.750 | 5.530 |
| 70-4-191-1X | SPL70 | 1.790 | 34 | 2.564 | 2.750 | 5.530 |
| 70-4-51-1 | SPL70 | 1.790 | 34 | 2.375 | 2.188 | 4.000 |
| 70-4-61-1X | SPL70 | 1.790 | 34 | 2.375 | 2.188 | 4.000 |
| 8-4-1141 | 9C/1820 | 2.375 | 46 | 3.750 | 2.375 | 3.938 |
| 8-4-1151X | 9C/1820 | 2.375 | 46 | 3.750 | 2.375 | 3.938 |
| 8-4-1161X | 9C/1820 | 2.375 | 46 | 3.750 | 2.375 | 3.938 |
| 8-4-1231 | 1880 | 2.625 | 20 | 3.000 | 2.750 | 6.270 |
| 8-4-1241 | 1880 | 2.750 | 10 | 3.375 | 2.938 | 6.370 |
| 90-4-05379-1X | SPL90 | 2.024 | 39 | 2.626 | 2.245 | 4.160 |
| 90-4-111-1 | SPL90 | 1.998 | 38 | 2.750 | 2.125 | 7.562 |
| 90-4-151-1X | SPL90 | 2.250 | 10 | 3.500 | 3.000 | 5.219 |
| 90-4-161-1 | SPL90 | 2.250 | 10 | 3.750 | 3.000 | 5.219 |
| 90-4-171-1X | SPL90 | 2.250 | 10 | 3.750 | 3.000 | 5.219 |
| 90-4-181-1 | SPL90 | 1.790 | 34 | 2.562 | 2.750 | 5.609 |
| 90-4-191-1X | SPL90 | 1.790 | 34 | 2.562 | 2.750 | 5.609 |
| 90-4-21-1 | SPL90 | 2.000 | 10 | 2.750 | 3.000 | 4.969 |
| 90-4-241-1 | SPL90 | 2.024 | 39 | 3.000 | 2.281 | 4.750 |
| 90-4-251-1X | SPL90 | 2.024 | 39 | 3.000 | 2.281 | 4.750 |
| 90-4-281-1 | SPL90 | 2.281 | 44 | 2.938 | 2.344 | 4.469 |
| 90-4-311-1 | SPL90 | 2.024 | 39 | 3.000 | 2.312 | 4.625 |
| 90-4-321-1X | SPL90 | 2.024 | 39 | 3.000 | 2.312 | 4.625 |
| 90-4-331-1 | SPL90 | 2.390 | 46 | 3.250 | 2.312 | 4.641 |
| 90-4-341-1X | SPL90 | 2.390 | 46 | 3.250 | 2.312 | 4.641 |
| 90-4-351-1 | SPL90 | 2.374 | 46 | 3.250 | 2.875 | 5.188 |
| 90-4-361-1X | SPL90 | 2.374 | 46 | 3.250 | 2.875 | 5.188 |
| 90-4-371-1 | SPL90 | 1.750 | 10 | 2.500 | 1.938 | 4.125 |
| 90-4-381-1 | SPL90 | 1.962 | 10 | 2.750 | 2.781 | 4.984 |
| 90-4-391-1 | SPL90 | 1.998 | 38 | 2.750 | 2.125 | 4.250 |
| 90-4-401-1 | SPL90 | 2.250 | 10 | 3.500 | 3.000 | 5.219 |
| 90-4-461-1 | SPL90 | 1.790 | 34 | 2.562 | 2.750 | 5.625 |
| 90-4-471-1 | SPL90 | 2.141 | 41 | 2.938 | 2.500 | 4.562 |

| Part Number | Series | Spline Data | | Ground Hub Dia. | Length Thru Hole | *C/L to End of Hub |
|-------------|--------|-------------|-----------|-----------------|------------------|--------------------|
| | | O.D. | No. Teeth | | | |
| 90-4-501-1X | SPL90 | 1.790 | 34 | 2.562 | 2.750 | 5.625 |
| 90-4-541-1 | SPL90 | 1.790 | 34 | 2.375 | 2.188 | 5.625 |
| 90-4-551-1X | SPL90 | 1.790 | 34 | 2.375 | 2.188 | 5.625 |
| 90-4-561-1 | SPL90 | 1.998 | 38 | 3.000 | 2.125 | 4.250 |
| 90-4-571-1X | SPL90 | 1.998 | 38 | 3.000 | 2.125 | 4.250 |
| 90-4-581-1 | SPL90 | 2.114 | 32 | 3.000 | 2.250 | 4.375 |
| 90-4-591-1X | SPL90 | 2.114 | 32 | 3.000 | 2.250 | 4.375 |
| 90-4-601-1 | SPL90 | 2.364 | 36 | 3.000 | 2.688 | 4.812 |
| 90-4-611-1X | SPL90 | 2.364 | 36 | 3.000 | 2.688 | 4.812 |
| 90-4-621-1 | SPL90 | 2.024 | 39 | 2.626 | 2.245 | 4.160 |
| 90-4-631-1X | SPL90 | 2.024 | 39 | 2.626 | 2.245 | 4.160 |
| 90-4-691-1X | SPL90 | 2.141 | 41 | 2.938 | 2.500 | 4.562 |
| 90-4-71-1 | SPL90 | 1.998 | 38 | 2.750 | 2.125 | 4.000 |
| 90-4-751-1 | SPL90 | 1.774 | 34 | 2.500 | 2.250 | 4.110 |
| 90-4-761-1X | SPL90 | 1.774 | 34 | 2.500 | 2.250 | 4.110 |
| 90-4-791-1 | SPL90 | 2.178 | 43 | 3.547 | 2.031 | 4.625 |

Dana Aftermarket Group
PO Box 1000
Maumee, Ohio 43537

Warehouse Distributors: 1.800.621.8084
OE Dealers: 1.877.777.5360

www.SpicerParts.com

SPICER[®]



J300P-10 Printed in U.S.A.
Copyright Dana Limited, 2015.
All rights reserved. Dana Limited.

